



92x92x25 mm

San Ace 92T 9GT type

General Specifications

- Material Frame: Aluminum, Impeller: Plastic (Flammability: UL 94V-1)
- Expected life See the table below. (L10 life: 90% survival rate for continuous operation in free air at 60°C, rated voltage)
- Motor protection function Locked rotor burnout protection, Reverse polarity protection
For details, please refer to p. 529.
- Dielectric strength 50/60 Hz, 500 VAC, for 1 minute (between lead wire conductors and frame)
- Insulation resistance 10 MΩ or more with a 500 VDC megger (between lead wire conductors and frame)
- Sound pressure level (SPL) At 1 m away from the air inlet
- Storage temperature -40 to +85°C (Non-condensing)
- Lead wire ⊕Red ⊖Black (Sensor) Yellow (Control) Brown
- Mass 150 g

Specifications

The models listed below **have pulse sensors with PWM control function.**

Model no.	Rated voltage [V]	Operating voltage range [V]	PWM duty cycle* [%]	Rated current [A]	Rated input [W]	Rated speed [min ⁻¹]	Max. airflow [m ³ /min] [CFM]	Max. static pressure [Pa] [inchH ₂ O]	SPL [dB (A)]	Operating temperature [°C]	Expected life [h]
9GT0912P4J001	12	10.2 to 13.8	100	0.42	5.04	5000	2.2 77.7	105 0.42	44	-40 to +85	40000/85°C
			30	0.07	0.84	1850	0.81 28.7	14.3 0.05	18		
9GT0924P4J001	24	20.4 to 27.6	100	0.21	5.04	5000	2.2 77.7	105 0.42	44		
			30	0.05	1.2	1850	0.81 28.7	14.3 0.05	18		

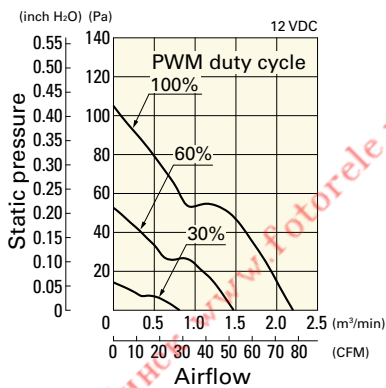
* PWM frequency: 25 kHz. Fan does not rotate when PWM duty cycle is 0%.

Other sensor specifications are available as options. Refer to the index (p. 554).

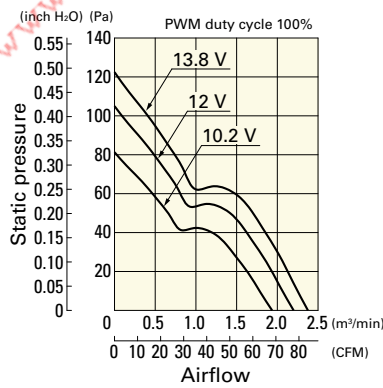
Airflow - Static Pressure Characteristics / PWM Duty - Speed Characteristics Example

9GT0912P4J001 With pulse sensor with PWM control function

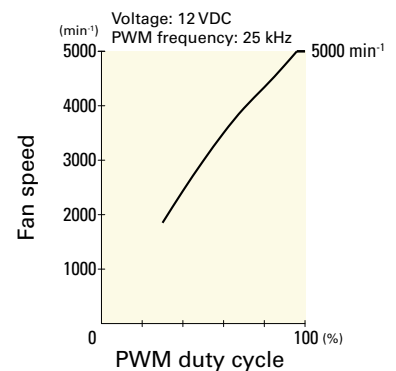
PWM duty cycle



Operating voltage range



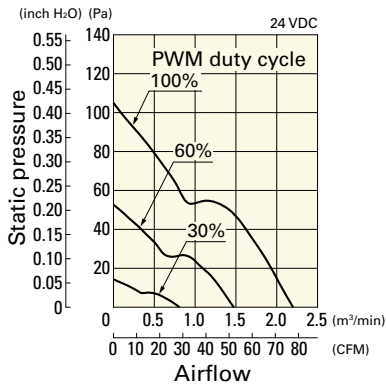
PWM duty - Speed characteristics example



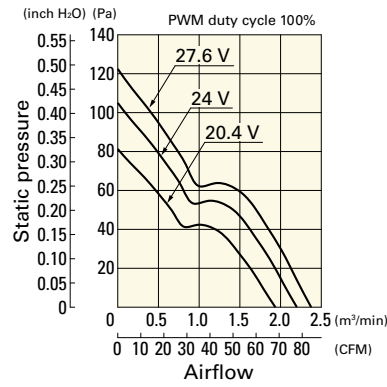
Airflow - Static Pressure Characteristics / PWM Duty - Speed Characteristics Example

9GT0924P4J001 With pulse sensor with PWM control function

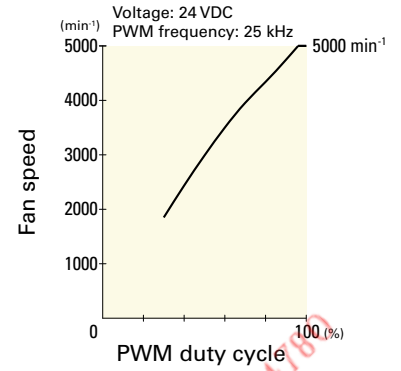
PWM duty cycle



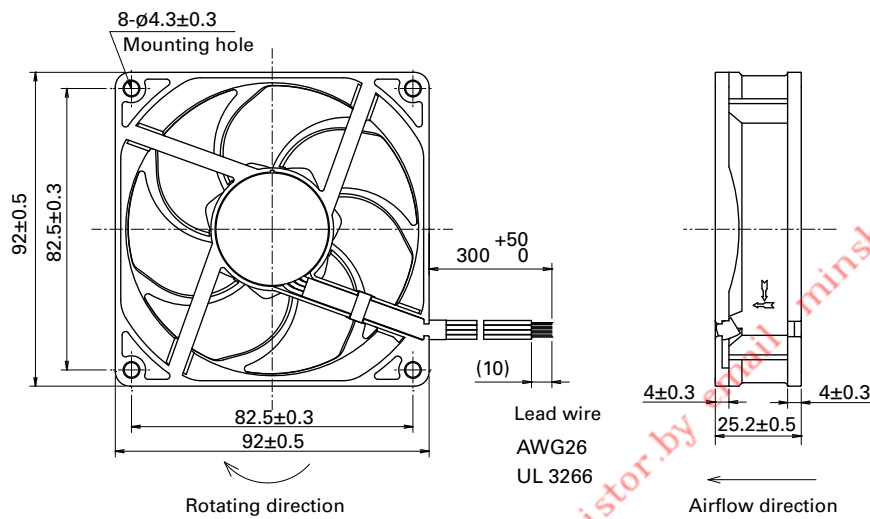
Operating voltage range



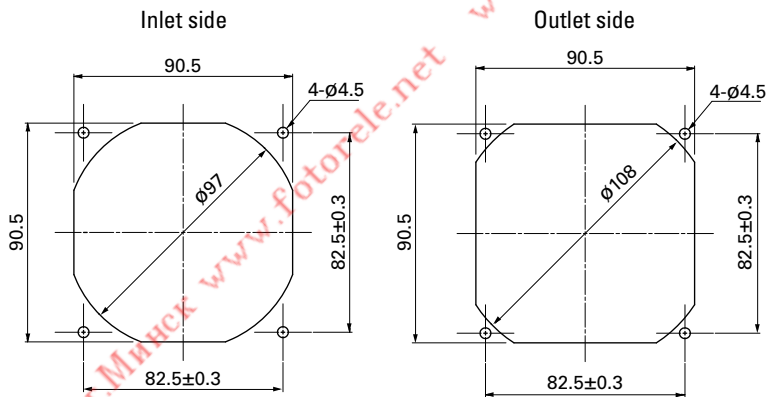
PWM duty - Speed characteristics example



Dimensions (unit: mm)



Reference Dimensions of Mounting Holes and Vent Opening (unit: mm)



Options

Finger guards

page: p. 513

Model no.: 109-099C, 109-099E, 109-099H

DC

Wide Temperature Range Fan 92 mm sq.



92x92x38 mm

San Ace 92T 9GT type

General Specifications

- Material Frame: Aluminum, Impeller: Plastic (Flammability: UL 94V-1)
- Expected life See the table below. (L10 life: 90% survival rate for continuous operation in free air at 60°C, rated voltage)
- Motor protection function Locked rotor burnout protection, Reverse polarity protection
For details, please refer to p. 529.
- Dielectric strength 50/60 Hz, 500 VAC, for 1 minute (between lead wire conductors and frame)
- Insulation resistance 10 MΩ or more with a 500 VDC megger (between lead wire conductors and frame)
- Sound pressure level (SPL) At 1 m away from the air inlet
- Storage temperature -40 to +85°C (Non-condensing)
- Lead wire ⊕Red ⊖Black Sensor Yellow Control Brown
- Mass 270 g

Specifications

The models listed below **have pulse sensors with PWM control function.**

Model no.	Rated voltage [V]	Operating voltage range [V]	PWM duty cycle* [%]	Rated current [A]	Rated input [W]	Rated speed [min ⁻¹]	Max. airflow [m ³ /min] [CFM]	Max. static pressure [Pa] [inchH ₂ O]	SPL [dB (A)]	Operating temperature [°C]	Expected life [h]
9GT0912P1M001	12	10.2 to 13.8	100	1.5	18.0	8100	3.3 116.6	315 1.26	58	-40 to +85	40000/85°C
			30	0.3	3.6	3750	1.5 53.0	72.0 0.29	37		
9GT0924P1M001	24	20.4 to 27.6	100	0.75	18.0	8100	3.3 116.6	315 1.26	58		
			30	0.15	3.6	3750	1.5 53.0	72.0 0.29	37		

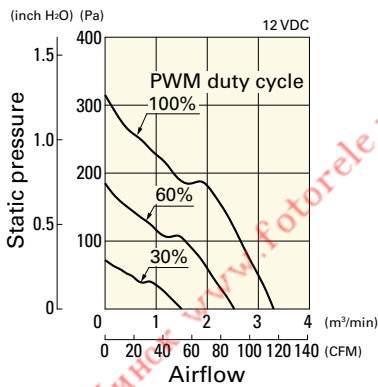
* PWM frequency: 25 kHz. Fan does not rotate when PWM duty cycle is 0%.

Other sensor specifications are available as options. Refer to the index (p. 554).

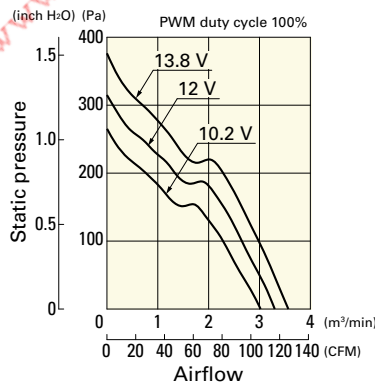
Airflow - Static Pressure Characteristics / PWM Duty - Speed Characteristics Example

9GT0912P1M001 With pulse sensor with PWM control function

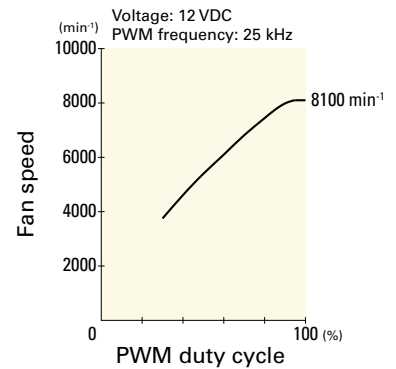
PWM duty cycle



Operating voltage range



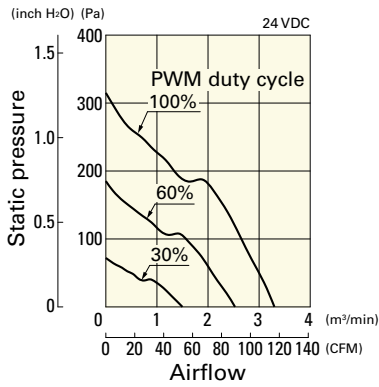
PWM duty - Speed characteristics example



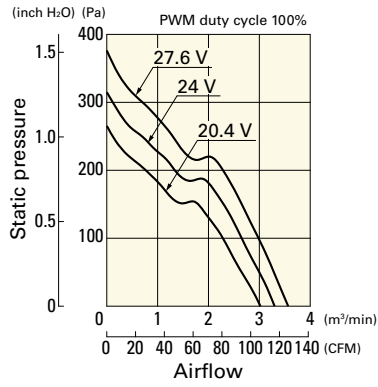
Airflow - Static Pressure Characteristics / PWM Duty - Speed Characteristics Example

9GT0924P1M001 With pulse sensor with PWM control function

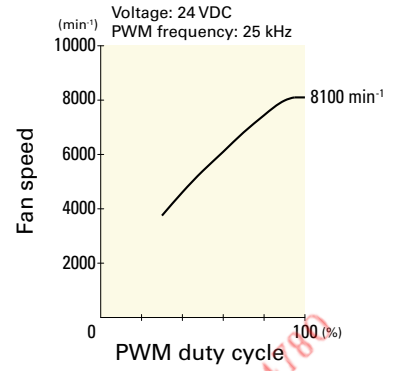
PWM duty cycle



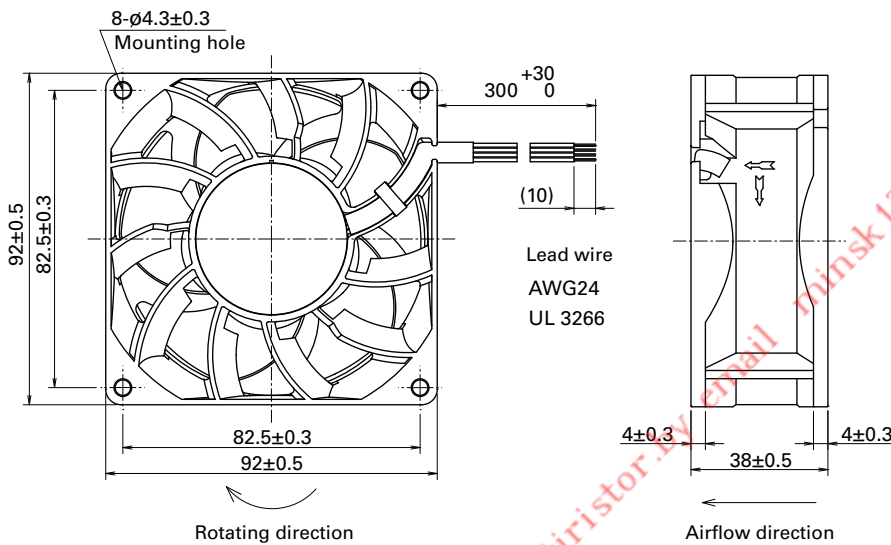
Operating voltage range



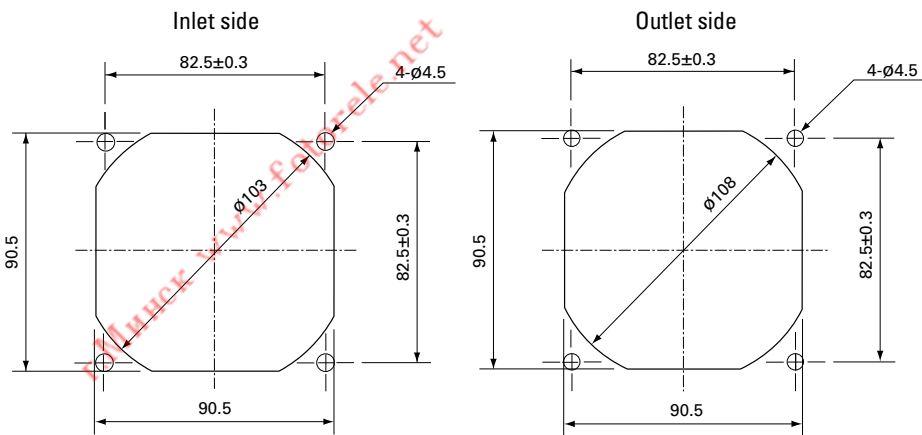
PWM duty - Speed characteristics example



Dimensions (unit: mm)



Reference Dimensions of Mounting Holes and Vent Opening (unit: mm)



Options

Finger guards

page: p. 513

Model no.: 109-099C, 109-099E, 109-099H

DC

Wide Temperature Range Fan 92 mm sq.



120×120×38 mm

San Ace 120T 9GT type

General Specifications

- Material Frame: Aluminum, Impeller: Plastic (Flammability: UL 94V-1)
- Expected life See the table below. (L10 life: 90% survival rate for continuous operation in free air at 60°C, rated voltage)
- Motor protection function Locked rotor burnout protection, Reverse polarity protection
For details, please refer to p. 529.
- Dielectric strength 50/60 Hz, 500 VAC, for 1 minute (between lead wire conductors and frame)
- Insulation resistance 10 MΩ or more with a 500 VDC megger (between lead wire conductors and frame)
- Sound pressure level (SPL) At 1 m away from the air inlet
- Storage temperature -40 to +85°C (Non-condensing)
- Lead wire ⊕Red ⊖Black (Sensor) Yellow (Control) Brown
- Mass 420 g

Specifications

The models listed below **have pulse sensors with PWM control function.**

Model no.	Rated voltage [V]	Operating voltage range [V]	PWM duty cycle* [%]	Rated current [A]	Rated input [W]	Rated speed [min ⁻¹]	Max. airflow [m ³ /min] [CFM]	Max. static pressure [Pa] [inchH ₂ O]	SPL [dB (A)]	Operating temperature [°C]	Expected life [h]
9GT1212P1S001	12	9.0 to 13.8	100	2.2	26.4	5600	6.0 211.8	270 1.08	58	-40 to +85	40000/85°C
			35	0.48	5.76	2900	3.0 106.0	85.6 0.34	41		
9GT1224P1S001	24	18.0 to 27.6	100	1.1	26.4	5600	6.0 211.8	270 1.08	58		
			35	0.24	5.76	2900	3.0 106.0	85.6 0.34	41		

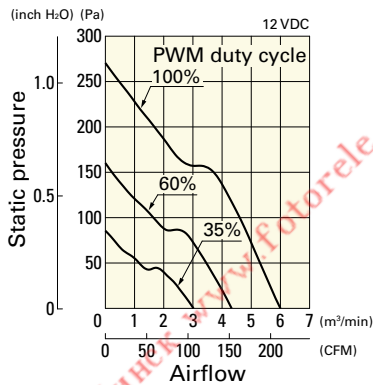
* PWM frequency: 25 kHz. Fan does not rotate when PWM duty cycle is 0%.

Other sensor specifications are available as options. Refer to the index (p. 554).

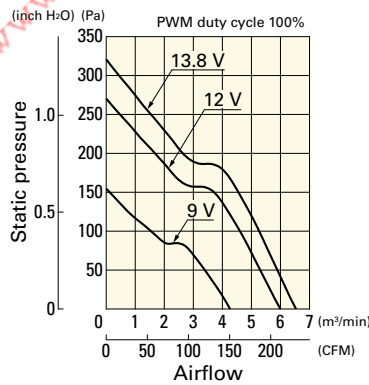
Airflow - Static Pressure Characteristics / PWM Duty - Speed Characteristics Example

9GT1212P1S001 With pulse sensor with PWM control function

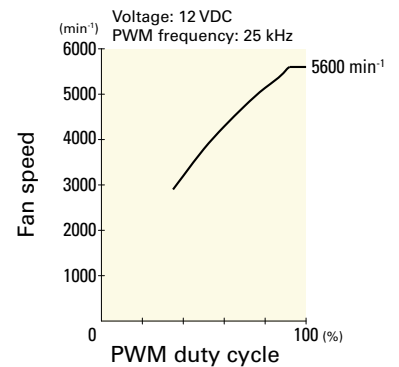
PWM duty cycle



Operating voltage range



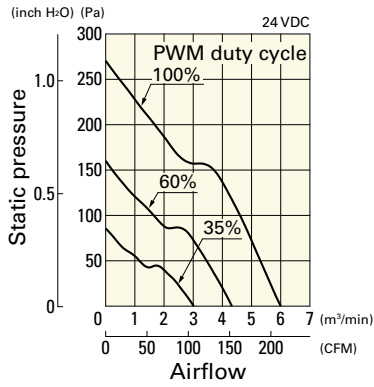
PWM duty - Speed characteristics example



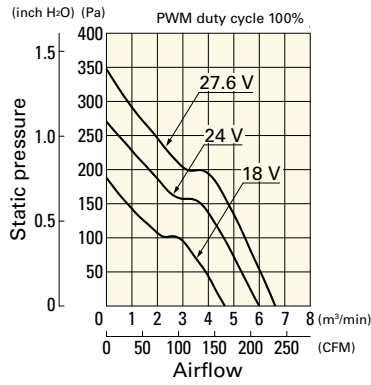
Airflow - Static Pressure Characteristics / PWM Duty - Speed Characteristics Example

9GT1224P1S001 With pulse sensor with PWM control function

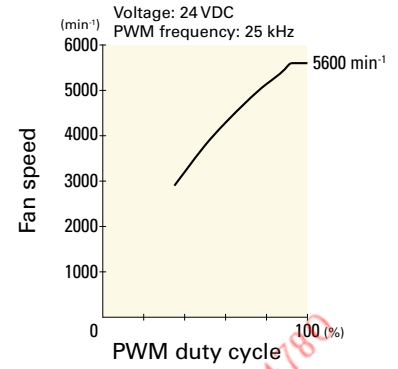
PWM duty cycle



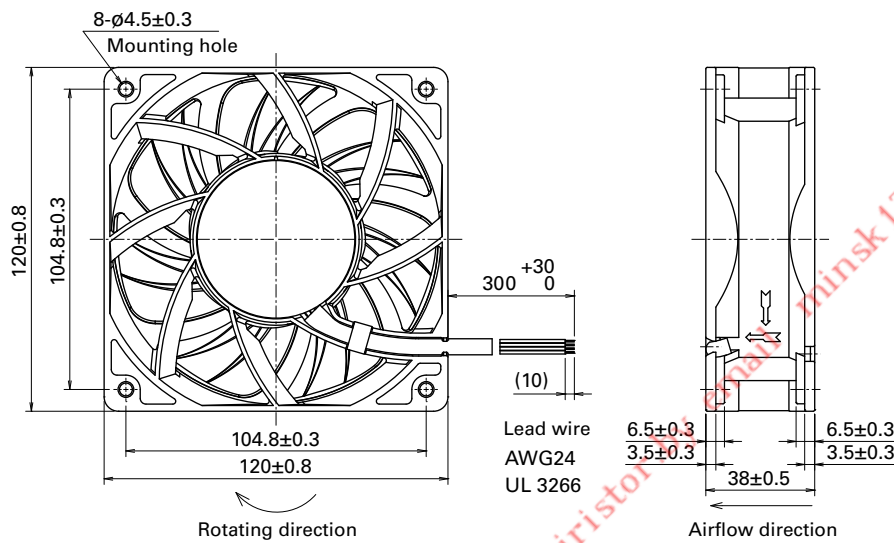
Operating voltage range



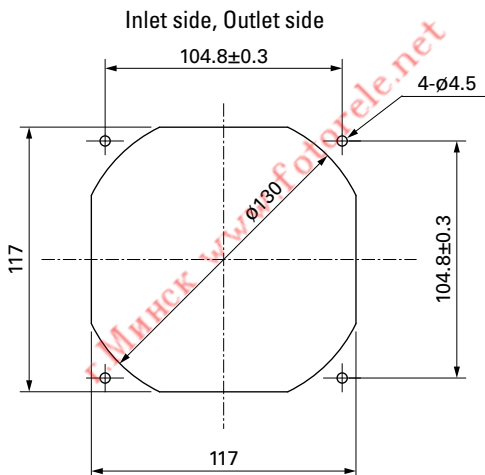
PWM duty - Speed characteristics example



Dimensions (unit: mm)



Reference Dimensions of Mounting Holes and Vent Opening (unit: mm)



Options

Finger guards

page: p. 514

Model no.: 109-019C, 109-019H, 109-019E, 109-019K

DC

Wide Temperature Range Fan 120 mm sq.

г. Минск www.fotorele.net www.tiristor.by email minsk17@tut.by тел. +375447584780

G Proof Fan

These fans are suitable for cooling CT scanners and other devices subject to high G-force or vibration.

Model Numbering System Not every combination of the following codes or characters is available. Contact us for an available combination.

9GP	12	24	P	1	G	001
Type name	Frame size	Voltage	PWM control function	Frame thickness	Speed code	Individual customer's spec (3 digits)

Type name	9GP	
Frame size (mm)	12	57
	120×120 \varnothing 172×150 (sidecut)	
Voltage (V)	24	48
	24	48
Frame thickness (mm)	1	5
	38	51
Speed code	G	H

How to Read Specifications (DC fan)

Model no.	Rated voltage [V]	Operating voltage range [V]	Rated current [A]	Rated input [W]	Rated speed [min ⁻¹]	Max. airflow [m ³ /min] [CFM]	Max. static pressure [Pa] [inchH ₂ O]	SPL [dB (A)]	Operating temperature [°C]	Expected life [h]
9GA0412G7001	12	7 to 13.8	0.17	2.04	13100	0.36 12.7	192 0.77	42	-20 to +70	40000/60°C (70000/40°C)

- Rated voltage This is the necessary voltage to drive the fan. E.g.) 12 VDC, 24 VDC, 48 VDC
- Operating voltage range The voltage range over which fan operation is guaranteed.
- Rated current The current when the fan is operating at rated voltage (at free air).
- Rated input The power value when the fan is operating at rated voltage (at free air).
- Rated speed The speed when the fan is operating at rated voltage (at free air).
- Max. airflow The maximum airflow that the fan can generate during rated operation (measured with our double chamber measuring device). Airflow is the volume of air generated by the fan per unit of time.
- Max. static pressure The maximum static pressure value that the fan can produce during rated operation (measured with our double chamber measuring device). Static pressure indicates a fan's ability to move air against resistance due to the internal structure of the device to which the fan is installed.
- SPL SPL stands for Sound Pressure Level. The noise level during the fan's rated operation. Please refer to the technical material section for the measurement method.
- Operating temperature The temperature range over which fan operation is guaranteed (Non- condensing).
- Expected life Service life hours that 90% of bearings will survive without failing when continuously operated at the rated voltage and 60°C temperature. Expected life at 40°C is for reference only. For more information, please refer to the technical material section.



120×120×38 mm

San Ace 120GP 9GP type

General Specifications

- Material Frame: Aluminum (Black coating), Impeller: Plastic (Flammability: UL 94V-1)
- Expected life See the table below. (L10 life: 90% survival rate for continuous operation in free air at 60°C, rated voltage)
- Motor protection function Locked rotor burnout protection, Reverse polarity protection
For details, please refer to p. 529.
- Dielectric strength 50/60 Hz, 500 VAC, for 1 minute (between lead wire conductors and frame)
- Insulation resistance 10 MΩ or more with a 500 VDC megger (between lead wire conductors and frame)
- Sound pressure level (SPL) At 1 m away from the air inlet
- Storage temperature -30 to +70°C (Non-condensing)
- Lead wire ⊕Red ⊖Black (Sensor) Yellow (Control) Brown
- Mass 440 g
- G-force tolerance 735 m/s² (75 G) for 1000 hours
(Measured with our G-force testing machine.)

Specifications

The models listed below **have pulse sensors with PWM control function.**

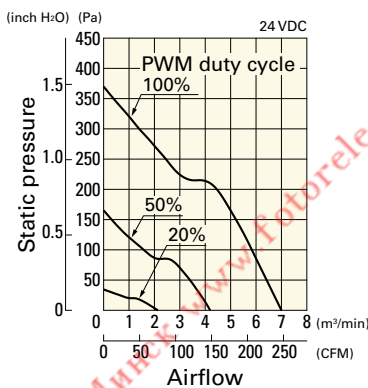
Model no.	Rated voltage [V]	Operating voltage range [V]	PWM duty cycle* [%]	Rated current [A]	Rated input [W]	Rated speed [min ⁻¹]	Max. airflow [m ³ /min] [CFM]	Max. static pressure [Pa] [inchH ₂ O]	SPL [dB (A)]	Operating temperature [°C]	Expected life [h]
9GP1224P1G001	24	15 to 30	100	1.6	38.4	6550	7.0 247	370 1.48	62	-20 to +70	40000/60°C (70000/40°C)
			20	0.12	2.88	2000	2.13 75.2	34.4 0.13	36		
9GP1248P1G001	48	36 to 60	100	0.8	38.4	6550	7.0 247	370 1.48	62		
			20	0.08	3.84	2000	2.13 75.2	34.4 0.13	36		

* PWM frequency: 25 kHz. Fan does not rotate when PWM duty cycle is 0%.

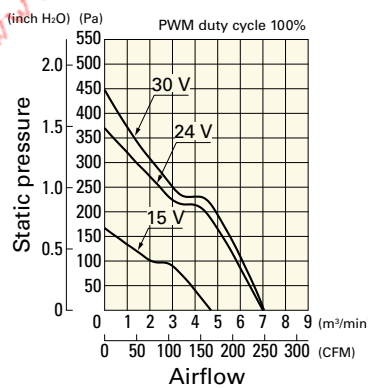
Airflow - Static Pressure Characteristics / PWM Duty - Speed Characteristics Example

9GP1224P1G001 With pulse sensor with PWM control function

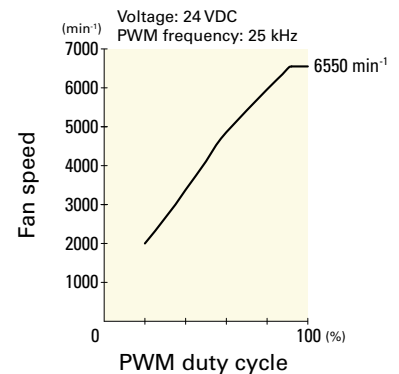
PWM duty cycle



Operating voltage range



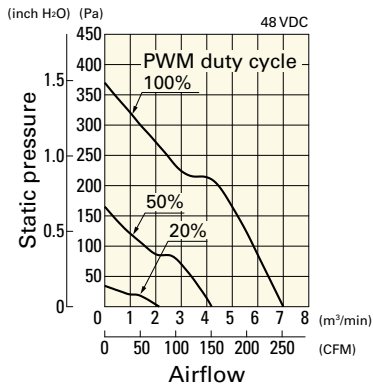
PWM duty - Speed characteristics example



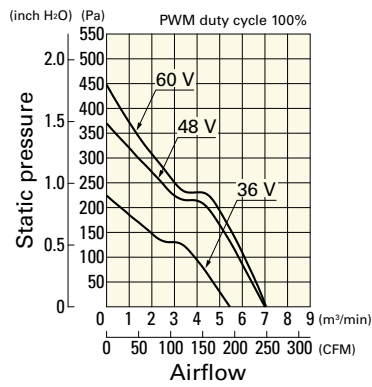
Airflow - Static Pressure Characteristics / PWM Duty - Speed Characteristics Example

9GP1248P1G001 With pulse sensor with PWM control function

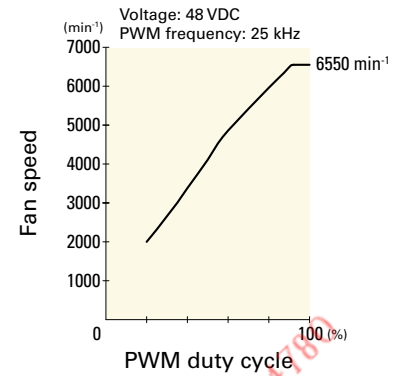
PWM duty cycle



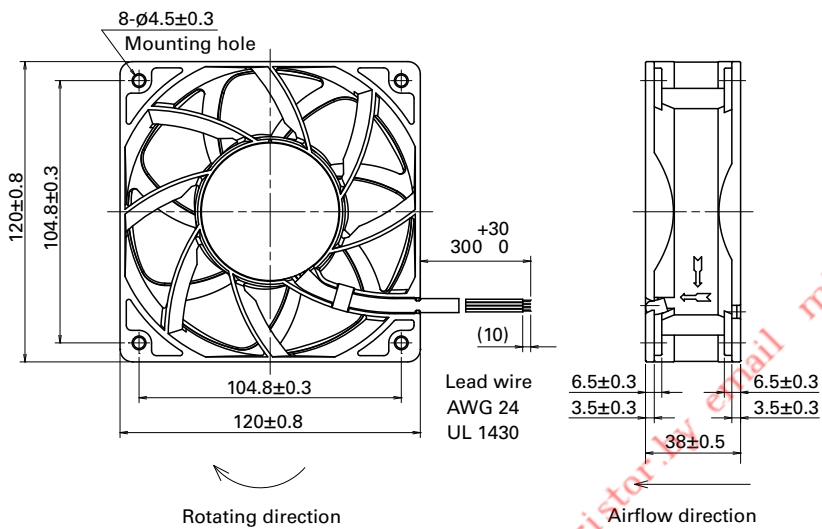
Operating voltage range



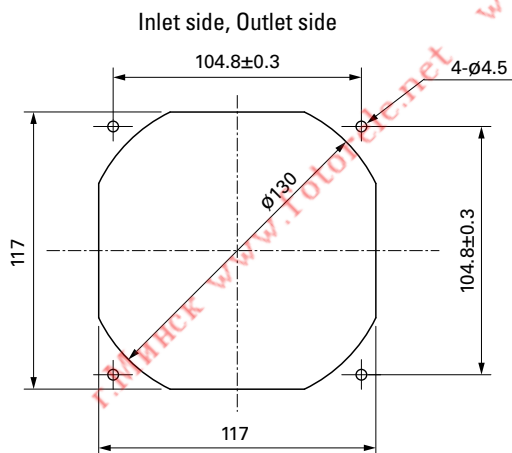
PWM duty - Speed characteristics example



Dimensions (unit: mm)



Reference Dimensions of Mounting Holes and Vent Opening (unit: mm)



Options

Finger guards

page: p. 514

Model no.: 109-019C, 109-019H, 109-019E, 109-019K

Resin finger guards

page: p. 520

Model no.: 109-1000G

Resin filter kits

page: p. 521

Model no.: 109-1000F13 (13PPI), 109-1000F20 (20PPI),
109-1000F30 (30PPI), 109-1000F40 (40PPI)

DC
G Prof Fan 120 mm sq.



Ø 172×150×51 mm

San Ace 172GP 9GP type

Sidecut type

General Specifications

- Material Frame: Aluminum (Black coating), Impeller: Plastic (Flammability: UL 94V-1)
- Expected life See the table below. (L10 life: 90% survival rate for continuous operation in free air at 60°C, rated voltage)
- Motor protection function Locked rotor burnout protection, Reverse polarity protection
For details, please refer to p. 529.
- Dielectric strength 50/60 Hz, 500 VAC, for 1 minute (between lead wire conductors and frame)
- Insulation resistance 10 MΩ or more with a 500 VDC megger (between lead wire conductors and frame)
- Sound pressure level (SPL) At 1 m away from the air inlet
- Storage temperature -30 to +70°C (Non-condensing)
- Lead wire ⊕Red ⊖Black (Sensor) Yellow (Control) Brown
- Mass 880 g
- G-force tolerance 735 m/s² (75 G) for 1000 hours
(Measured with our G-force testing machine.)

Specifications

The models listed below **have pulse sensors with PWM control function.**

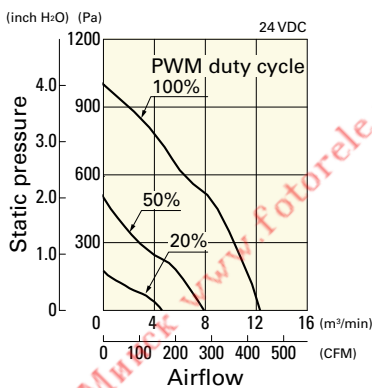
Model no.	Rated voltage [V]	Operating voltage range [V]	PWM duty cycle* [%]	Rated current [A]	Rated input [W]	Rated speed [min ⁻¹]	Max. airflow [m ³ /min] [CFM]	Max. static pressure [Pa] [inchH ₂ O]	SPL [dB (A)]	Operating temperature [°C]	Expected life [h]
9GP5724P5H001	24	16 to 30	100	5.0	120	8000	12.3 434	1000 4.02	77	-20 to +70	40000/60°C (70000/40°C)
			20	0.5	12.0	3000	4.6 162	175 0.7	51		
9GP5748P5G001	48	36 to 72	100	5.0	240	10500	16.1 568	1600 6.43	83		
			20	0.41	19.7	3700	5.6 198	250 1.01	57		

* PWM frequency: 25 kHz. Fan does not rotate when PWM duty cycle is 0%.

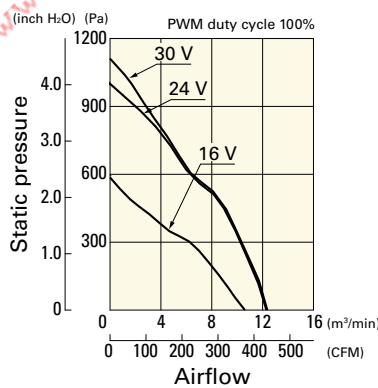
Airflow - Static Pressure Characteristics / PWM Duty - Speed Characteristics Example

9GP5724P5H001 With pulse sensor with PWM control function

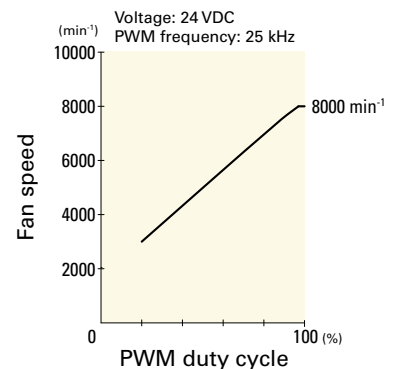
PWM duty cycle



Operating voltage range



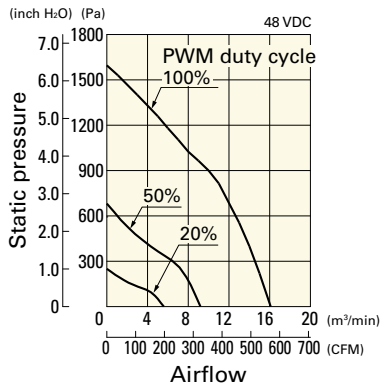
PWM duty - Speed characteristics example



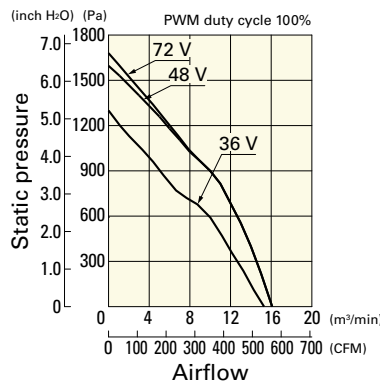
Airflow - Static Pressure Characteristics / PWM Duty - Speed Characteristics Example

9GP5748P5G001 With pulse sensor with PWM control function

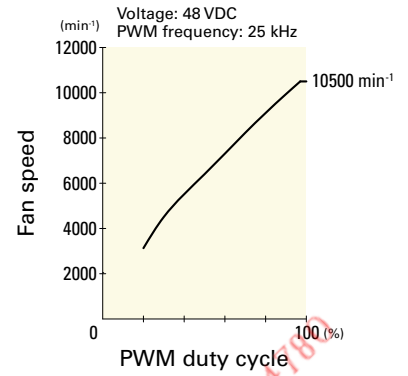
PWM duty cycle



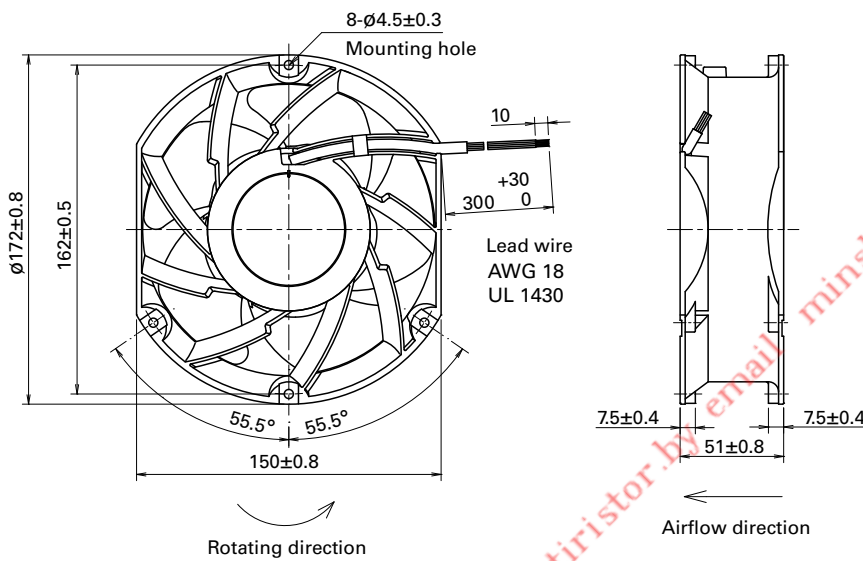
Operating voltage range



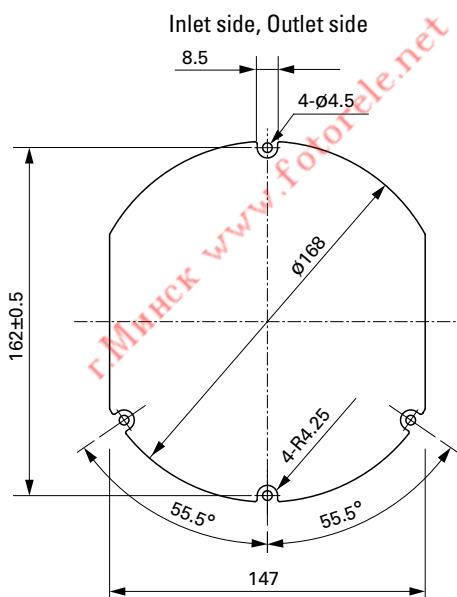
PWM duty - Speed characteristics example



Dimensions (unit: mm)



Reference Dimensions of Mounting Holes and Vent Opening (unit: mm)



Options

Finger guards

page: p. 515

Model no.: 109-319J, 109-319E, 109-319H, 109-320

DC

G Proof Fan ∅172 mm

г. Минск www.fotorele.net www.tiristor.by email minsk17@tut.by тел. +375447584780

Centrifugal Fan

Cooling fan blows air in a centrifugal course. It features high static pressure.

Related product: Splash Proof Centrifugal Fan p. 319

Model Numbering System Not every combination of the following codes or characters is available. Contact us for an available combination.

9T	M	48	P	4	H	01
Type name	Impeller size	Voltage	PWM control function	Thickness	Speed code	Individual customer's spec. (2 to 3 digits)

Bracket-mounted Centrifugal Fan

9B1T	P	48	P	0	H	001
Type name	Impeller size	Voltage	PWM control function	Thickness	Speed code	Individual customer's spec. (3 digits)

Type name	9B1T 9T												
Impeller size (mm)	<table border="1"> <tr> <td>G, GA</td> <td>J</td> <td>M</td> <td>N</td> <td>P</td> <td>S</td> </tr> <tr> <td>∅175</td> <td>∅133</td> <td>∅100</td> <td>∅150</td> <td>∅221</td> <td>∅225</td> </tr> </table>	G, GA	J	M	N	P	S	∅175	∅133	∅100	∅150	∅221	∅225
G, GA	J	M	N	P	S								
∅175	∅133	∅100	∅150	∅221	∅225								
Voltage (V)	<table border="1"> <tr> <td>24</td> <td>48</td> </tr> <tr> <td>24</td> <td>48</td> </tr> </table>	24	48	24	48								
24	48												
24	48												
Thickness (mm)	<table border="1"> <tr> <td>0</td> <td>1</td> <td>4</td> </tr> <tr> <td>69 min., 99, 119</td> <td>35</td> <td>25</td> </tr> </table>	0	1	4	69 min., 99, 119	35	25						
0	1	4											
69 min., 99, 119	35	25											
Speed code	H G etc.												

How to Read Specifications (DC fan)

Model no.	Rated voltage [V]	Operating voltage range [V]	Rated current [A]	Rated input [W]	Rated speed [min ⁻¹]	Max. airflow [m ³ /min] [CFM]	Max. static pressure [Pa] [inchH ₂ O]	SPL [dB (A)]	Operating temperature [°C]	Expected life [h]
9GA0412G7001	12	7 to 13.8	0.17	2.04	13100	0.36 12.7	192 0.77	42	-20 to +70	40000/60°C (70000/40°C)

- Rated voltage This is the necessary voltage to drive the fan. E.g.) 12 VDC, 24 VDC, 48 VDC
- Operating voltage range The voltage range over which fan operation is guaranteed.
- Rated current The current when the fan is operating at rated voltage (at free air).
- Rated input The power value when the fan is operating at rated voltage (at free air).
- Rated speed The speed when the fan is operating at rated voltage (at free air).
- Max. airflow The maximum airflow that the fan can generate during rated operation (measured with our double chamber measuring device).
Airflow is the volume of air generated by the fan per unit of time.
- Max. static pressure The maximum static pressure value that the fan can produce during rated operation (measured with our double chamber measuring device).
Static pressure indicates a fan's ability to move air against resistance due to the internal structure of the device to which the fan is installed.
- SPL SPL stands for Sound Pressure Level. The noise level during the fan's rated operation.
Please refer to the technical material section for the measurement method.
- Operating temperature The temperature range over which fan operation is guaranteed (Non- condensing).
- Expected life Service life hours that 90% of bearings will survive without failing when continuously operated at the rated voltage and 60°C temperature. Expected life at 40°C is for reference only.
For more information, please refer to the technical material section.



Ø 100×25 mm

San Ace C100 9T type

General Specifications

- Material Motor case: Aluminum (Black coating), Impeller: Plastic (Flammability: UL 94V-0)
- Expected life See the table below. (L10 life: 90% survival rate for continuous operation in free air at 60°C, rated voltage)
- Motor protection function Locked rotor burnout protection, Reverse polarity protection
For details, please refer to p. 529.
- Dielectric strength 50/60 Hz, 500 VAC, for 1 minute (between lead wire conductors and motor case)
- Insulation resistance 10 MΩ or more with a 500 VDC megger (between lead wire conductors and motor case)
- Sound pressure level (SPL) At 1 m away from the air inlet
- Storage temperature -30 to +70°C (Non-condensing)
- Lead wire ⊕Red ⊖Black (Sensor) Yellow (Control) Brown
- Mass 150 g

Specifications

When the optional inlet nozzle (109-1080) is mounted.

The models listed below **have pulse sensors with PWM control function.**

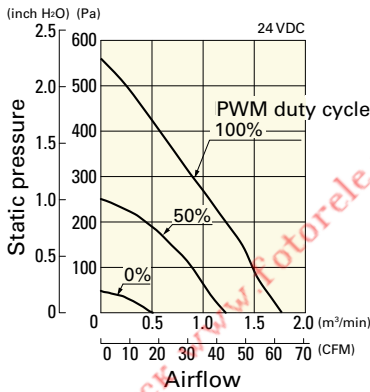
Model no.	Rated voltage [V]	Operating voltage range [V]	PWM duty cycle* [%]	Rated current [A]	Rated input [W]	Rated speed [min ⁻¹]	Max. airflow [m ³ /min] [CFM]	Max. static pressure [Pa] [inchH ₂ O]	SPL [dB (A)]	Operating temperature [°C]	Expected life [h]
9TM24P4H01	24	21.6 to 26.4	100	0.44	10.56	6400	1.77 62.5	560 2.25	60	-20 to +70	40000/60°C
			0	0.05	1.2	2000	0.51 18.0	48 0.19	34		
9TM48P4H01	48	36 to 60	100	0.22	10.56	6400	1.77 62.5	560 2.25	60	-20 to +70	40000/60°C
			0	0.04	1.92	2000	0.51 18.0	48 0.19	34		

* PWM frequency: 25 kHz
Max input is 14 W at rated voltage.

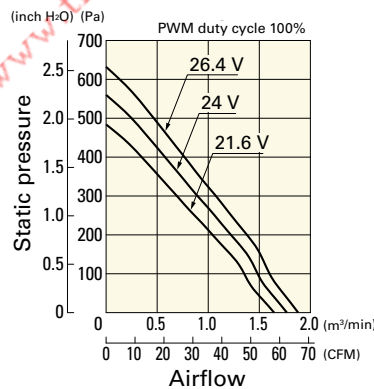
Airflow - Static Pressure Characteristics / PWM Duty - Speed Characteristics Example

9TM24P4H01 With pulse sensor with PWM control function

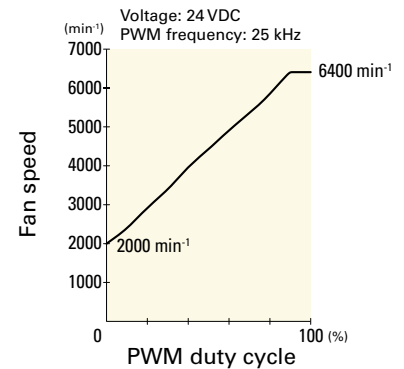
PWM duty cycle



Operating voltage range

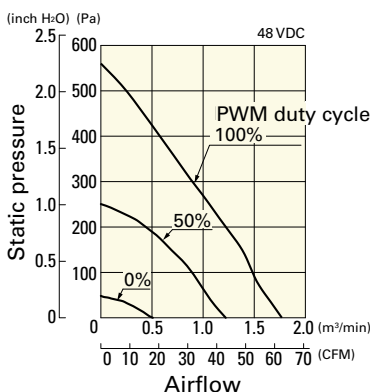


PWM duty - Speed characteristics example

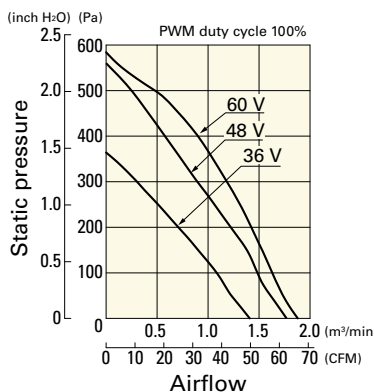


9TM48P4H01 With pulse sensor with PWM control function

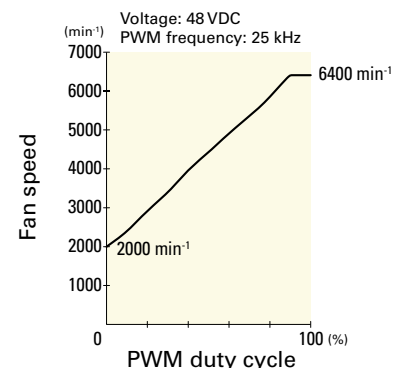
PWM duty cycle



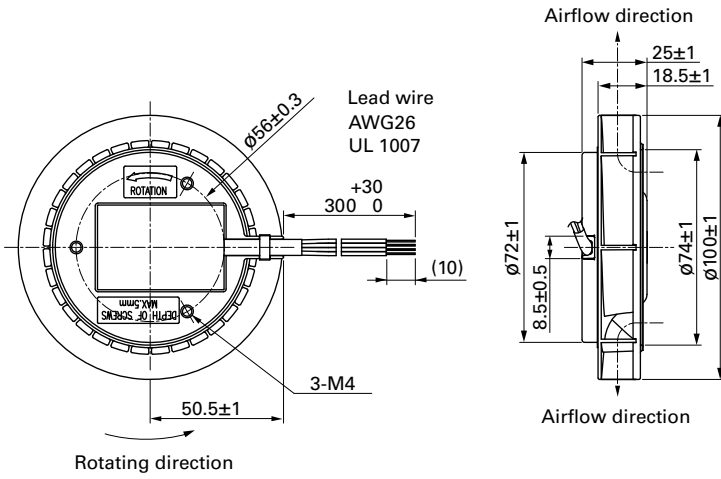
Operating voltage range



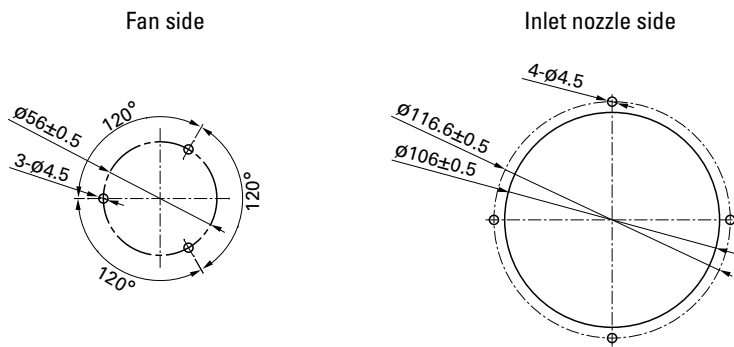
PWM duty - Speed characteristics example



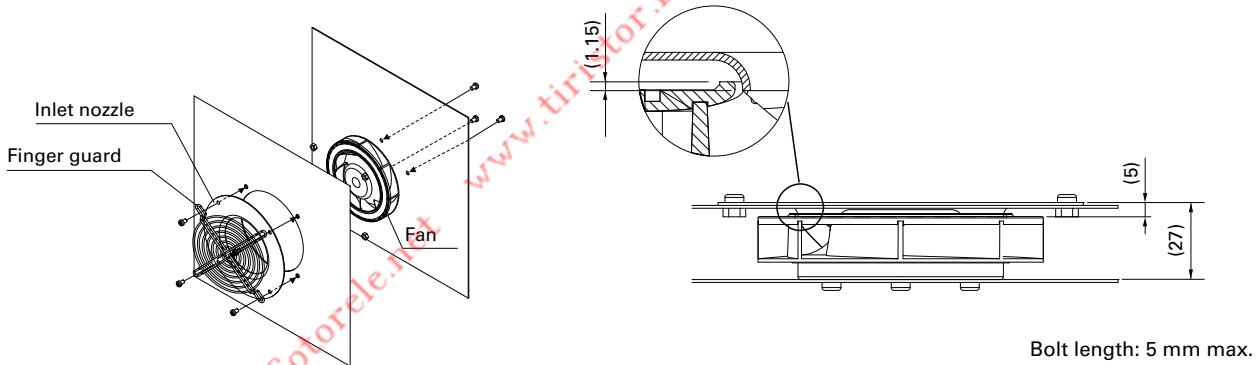
Dimensions (unit: mm)



Reference Dimensions of Mounting Holes and Vent Opening (unit: mm)



Reference Diagram for Mounting



Options

Finger guards

page: p. 513

Model no.: 109-099E, 109-099H

Inlet nozzle

page: p. 518

Model no.: 109-1080



Ø 133x91 mm

San Ace C133 9T type

General Specifications

- Material Motor case: Aluminum (Black coating), Impeller: Plastic (Flammability: UL 94V-0)
- Expected life See the table below. (L10 life: 90% survival rate for continuous operation in free air at 60°C, rated voltage)
- Motor protection function Locked rotor burnout protection, Reverse polarity protection
For details, please refer to p. 529.
- Dielectric strength 50/60 Hz, 500 VAC, for 1 minute (between lead wire conductors and motor case)
- Insulation resistance 10 MΩ or more with a 500 VDC megger (between lead wire conductors and motor case)
- Sound pressure level (SPL) At 1 m away from the air inlet
- Storage temperature -30 to +70°C (Non-condensing)
- Lead wire ⊕Red ⊖Black (Sensor) Yellow (Control) Brown
- Mass 660 g

Specifications

When the optional inlet nozzle (109-1069) is mounted.

The models listed below **have pulse sensors with PWM control function.**

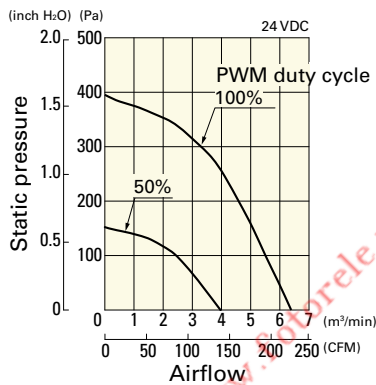
Model no.	Rated voltage [V]	Operating voltage range [V]	PWM duty cycle* [%]	Rated current [A]	Rated input [W]	Rated speed [min ⁻¹]	Max. airflow [m ³ /min] [CFM]	Max. static pressure [Pa] [inchH ₂ O]	SPL [dB (A)]	Operating temperature [°C]	Expected life [h]
9TJ24P0H61	24	20.4 to 27.6	100	1.2	28.8	4150	6.39 226	395 1.59	61	-20 to +70	40000/60°C
9TJ48P0H01	48	36 to 72	100	0.55	26.4	4150	6.39 226	395 1.59	61		

* PWM frequency: 25 kHz. Fan does not rotate when PWM duty cycle is 0%.

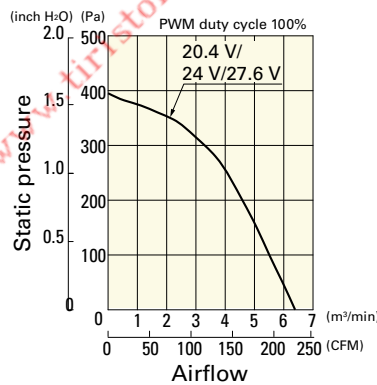
Airflow - Static Pressure Characteristics / PWM Duty - Speed Characteristics Example

9TJ24P0H61 With pulse sensor with PWM control function

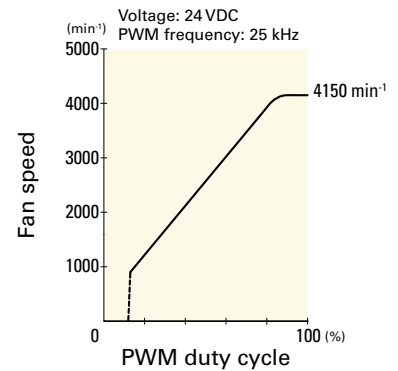
PWM duty cycle



Operating voltage range

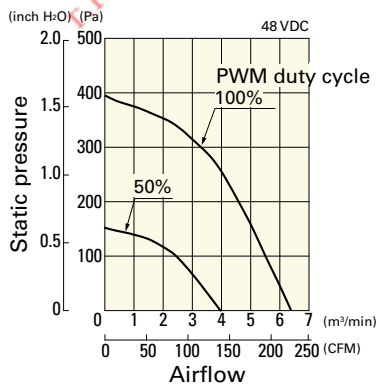


PWM duty - Speed characteristics example

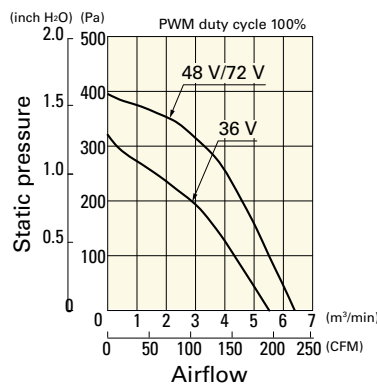


9TJ48P0H01 With pulse sensor with PWM control function

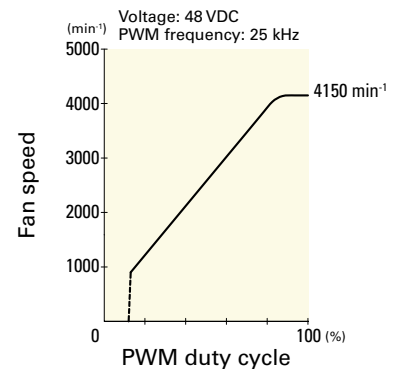
PWM duty cycle



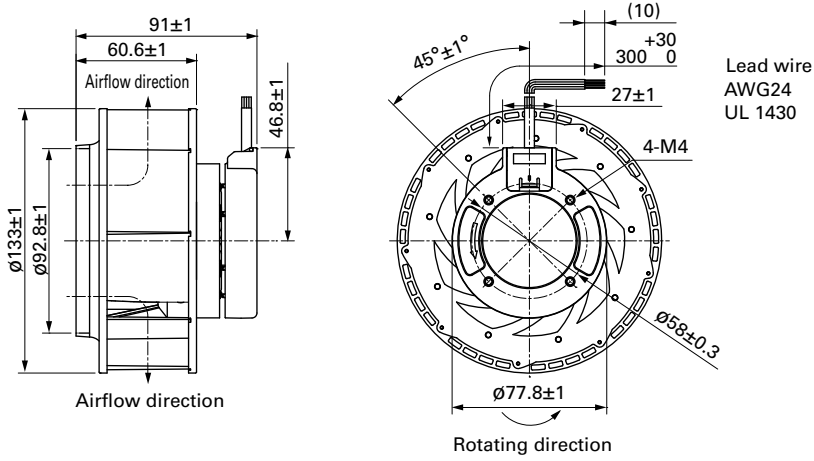
Operating voltage range



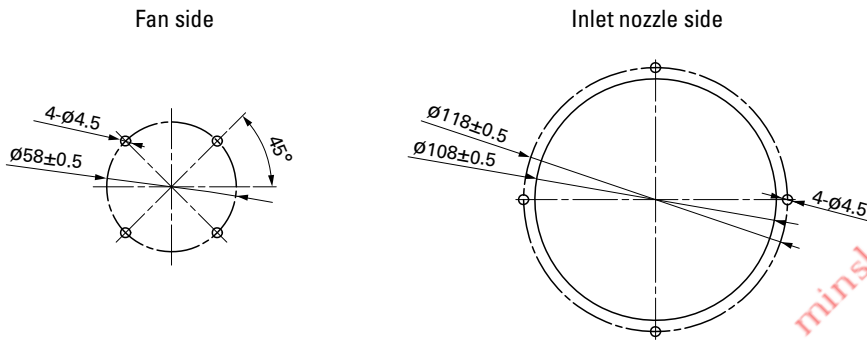
PWM duty - Speed characteristics example



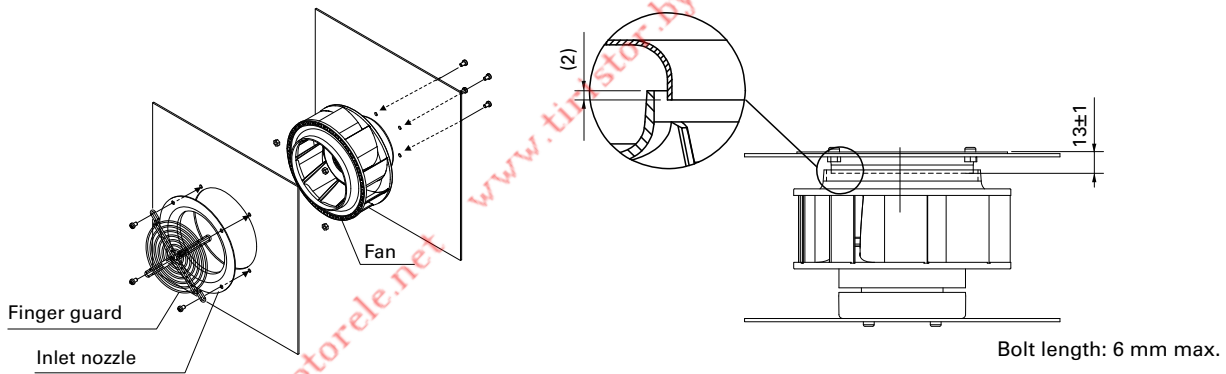
Dimensions (unit: mm)



Reference Dimensions of Mounting Holes and Vent Opening (unit: mm)



Reference Diagram for Mounting



Options

Finger guards

page: p. 514

Model no.: 109-1112

Inlet nozzle

page: p. 518

Model no.: 109-1069, 109-1069H



∅ 150×35 mm

San Ace C150 9T type

General Specifications

- Material Motor case: Aluminum (Black coating), Impeller: Plastic (Flammability: UL 94V-0)
- Expected life See the table below. (L10 life: 90% survival rate for continuous operation in free air at 60°C, rated voltage)
- Motor protection function Locked rotor burnout protection, Reverse polarity protection
For details, please refer to p. 529.
- Dielectric strength 50/60 Hz, 500 VAC, for 1 minute (between lead wire conductors and motor case)
- Insulation resistance 10 MΩ or more with a 500 VDC megger (between lead wire conductors and motor case)
- Sound pressure level (SPL) At 1 m away from the air inlet
- Storage temperature -30 to +70°C (Non-condensing)
- Lead wire ⊕Red ⊖Black (Sensor) Yellow (Control) Brown
- Mass 330 g

Specifications

When the optional inlet nozzle (109-1081) is mounted.

The models listed below **have pulse sensors with PWM control function.**

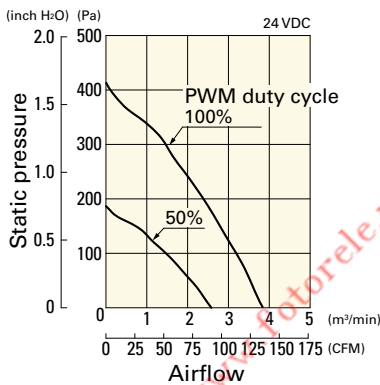
Model no.	Rated voltage [V]	Operating voltage range [V]	PWM duty cycle* [%]	Rated current [A]	Rated input [W]	Rated speed [min ⁻¹]	Max. airflow [m ³ /min] [CFM]	Max. static pressure [Pa] [inchH ₂ O]	SPL [dB (A)]	Operating temperature [°C]	Expected life [h]
9TN24P1H01	24	20.4 to 27.6	100	0.62	14.9	3800	3.83 135	410 1.65	59	-20 to +70	40000/60°C
9TN48P1H01	48	36.0 to 55.2	100	0.32	15.4	3800	3.83 135	390 1.57	59		

* PWM frequency: 25 kHz. Fan does not rotate when PWM duty cycle is 0%.
Max input of 9TN24P1H01: 21.4 W, 9TN48P1H01: 22 W.

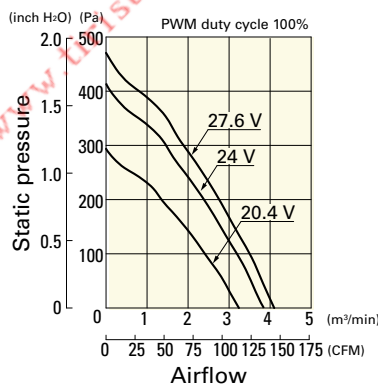
Airflow - Static Pressure Characteristics / PWM Duty - Speed Characteristics Example

9TN24P1H01 With pulse sensor with PWM control function

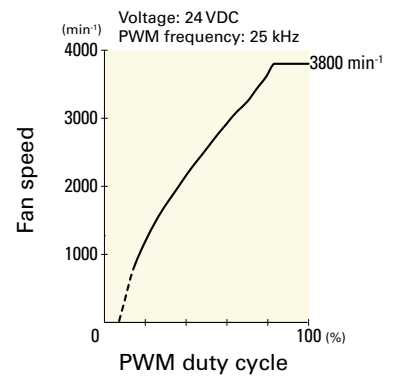
PWM duty cycle



Operating voltage range

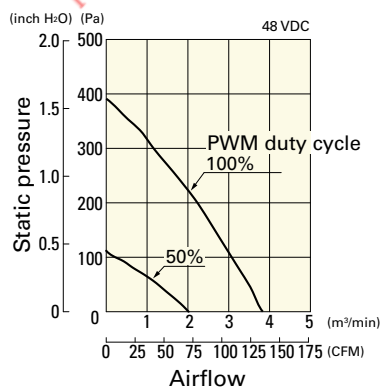


PWM duty - Speed characteristics example

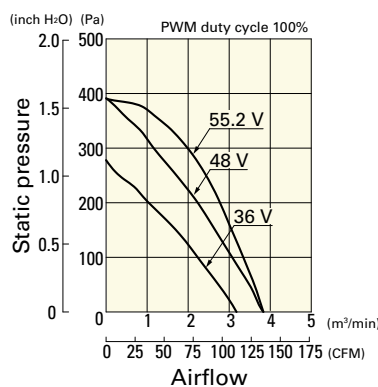


9TN48P1H01 With pulse sensor with PWM control function

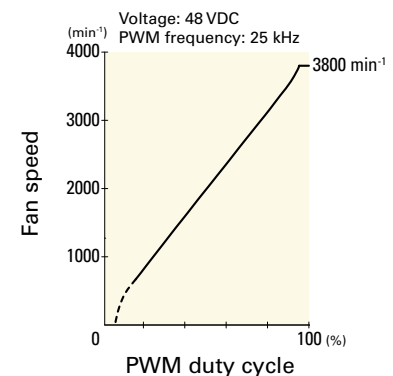
PWM duty cycle



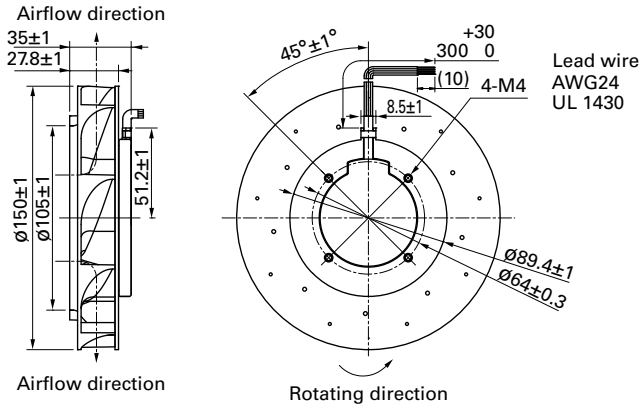
Operating voltage range



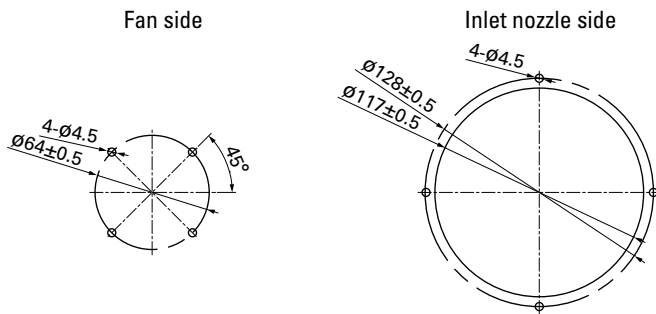
PWM duty - Speed characteristics example



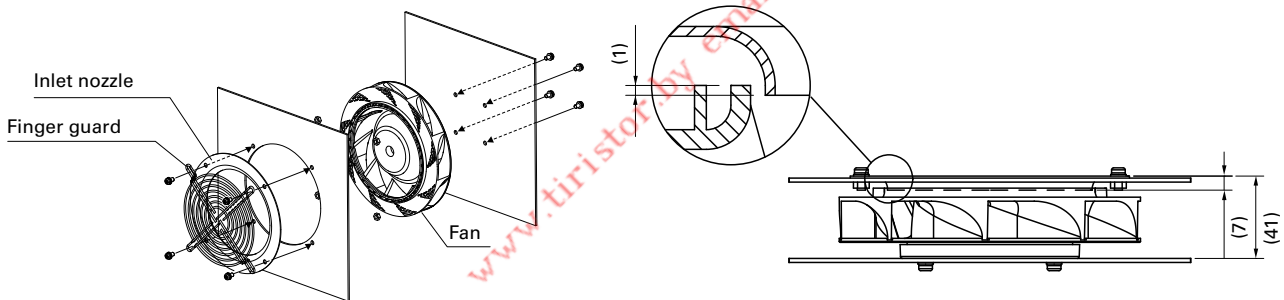
Dimensions (unit: mm)



Reference Dimensions of Mounting Holes and Vent Opening (unit: mm)



Reference Diagram for Mounting



Bolt length: 4 to 6 mm.

Options

Finger guards

page: p. 514

Model no.: 109-1104, 109-1104H

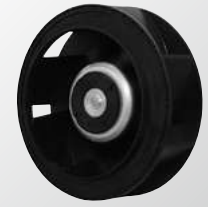
Inlet nozzle

page: p. 518

Model no.: 109-1081, 109-1081H

DC

Centrifugal Fan $\varnothing 150$ mm



Ø 175x69 mm

San Ace C175 9T type

General Specifications

- Material Motor case: Aluminum (Black coating), Impeller: Plastic (Flammability: UL 94V-0)
- Expected life See the table below. (L10 life: 90% survival rate for continuous operation in free air at 60°C, rated voltage)
- Motor protection function Locked rotor burnout protection, Reverse polarity protection
For details, please refer to p. 529.
- Dielectric strength 50/60 Hz, 500 VAC, for 1 minute (between lead wire conductors and motor case)
- Insulation resistance 10 MΩ or more with a 500 VDC megger (between lead wire conductors and motor case)
- Sound pressure level (SPL) At 1 m away from the air inlet
- Storage temperature -30 to +70°C (Non-condensing)
- Lead wire ⊕Red ⊖Black (Sensor) Yellow (Control) Brown
- Mass 720 g

Specifications

When the optional inlet nozzle (109-1073) is mounted.

The models listed below **have pulse sensors with PWM control function.**

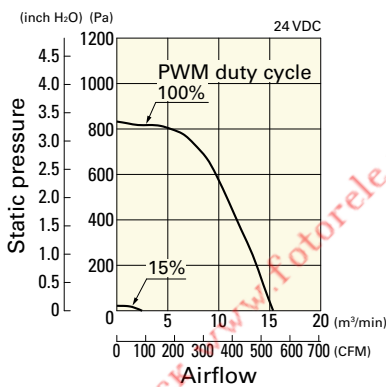
Model no.	Rated voltage [V]	Operating voltage range [V]	PWM duty cycle* [%]	Rated current [A]	Rated input [W]	Rated speed [min ⁻¹]	Max. airflow [m ³ /min] [CFM]	Max. static pressure [Pa] [inchH ₂ O]	SPL [dB (A)]	Operating temperature [°C]	Expected life [h]
9TGA24P0H001	24	16 to 36	100	4.8	115	4950	15.3 541	830 3.33	77	-20 to +70	40000/60°C (70000/40°C)
			15	0.14	3.36	800	2.5 88.3	21.8 0.088	38		
9TGA48P0G001	48	36 to 72	100	3.5	168	5700	17.6 622	1100 4.42	80		
			15	0.07	3.36	800	2.5 88.3	21.8 0.088	38		

* PWM frequency: 25 kHz. Fan does not rotate when PWM duty cycle is 0%.
Max input of 9TGA24P0H001: 210 W, 9TGA48P0G001: 325 W at rated voltage.

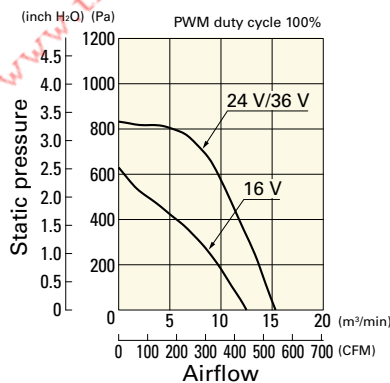
Airflow - Static Pressure Characteristics / PWM Duty - Speed Characteristics Example

9TGA24P0H001 With pulse sensor with PWM control function

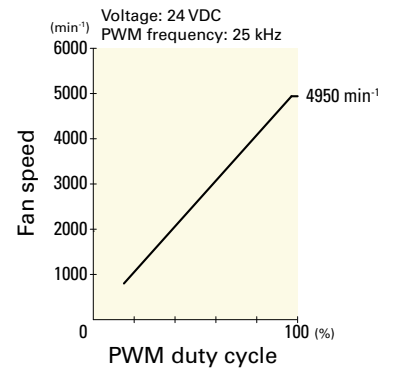
PWM duty cycle



Operating voltage range

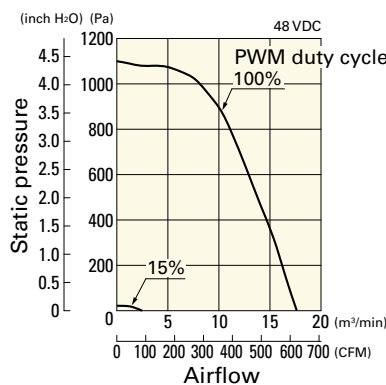


PWM duty - Speed characteristics example

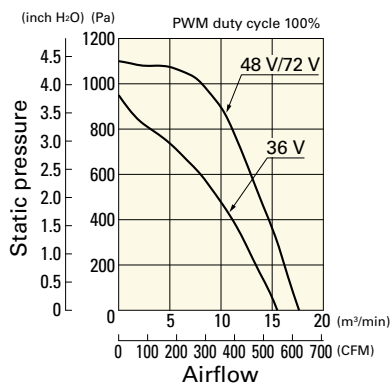


9TGA48P0G001 With pulse sensor with PWM control function

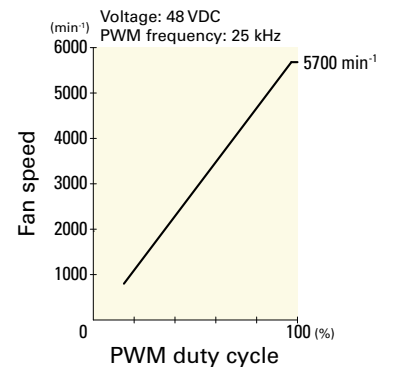
PWM duty cycle



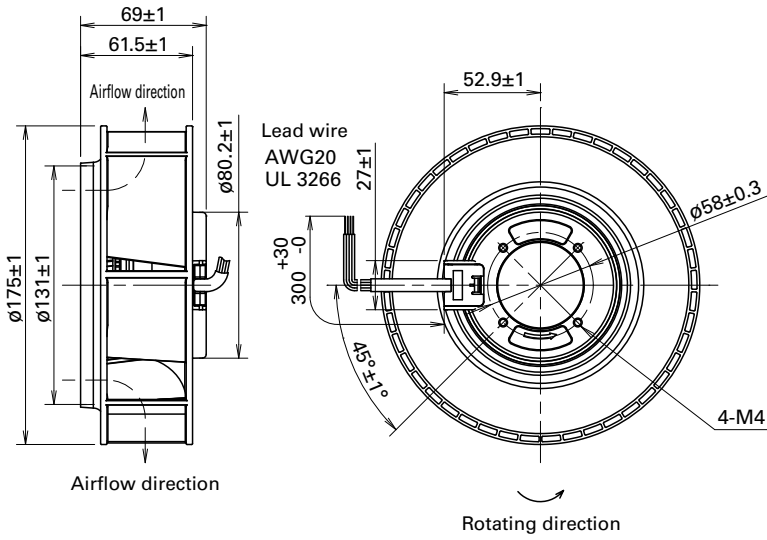
Operating voltage range



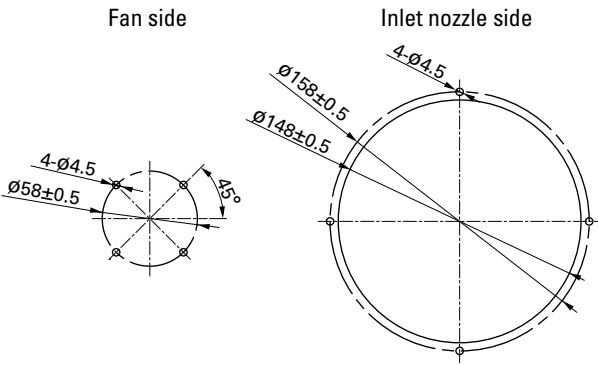
PWM duty - Speed characteristics example



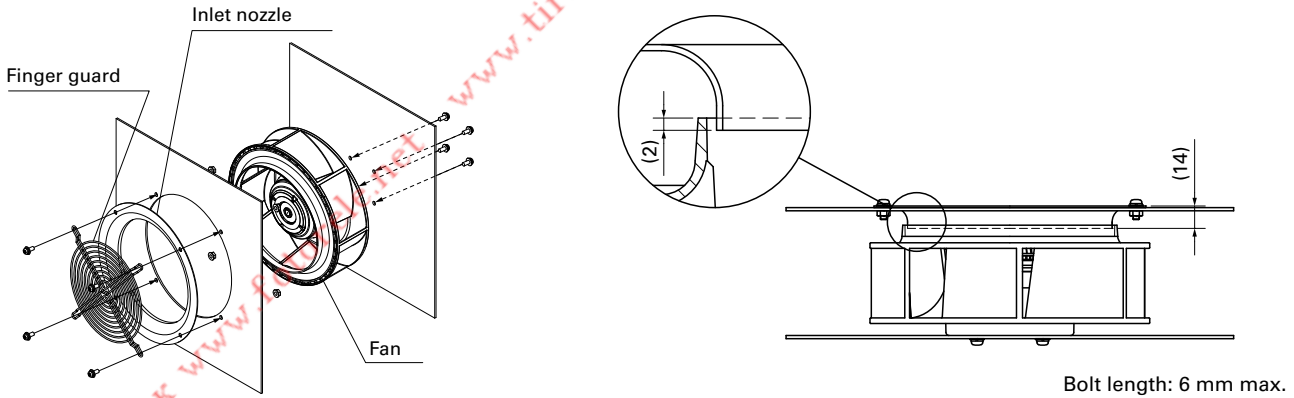
Dimensions (unit: mm)



Reference Dimensions of Mounting Holes and Vent Opening (unit: mm)



Reference Diagram for Mounting



Options

Finger guards

page: p. 514

Model no.: 109-722

Inlet nozzle

page: p. 518

Model no.: 109-1073, 109-1073H



Ø 175x69 mm

San Ace C175 9T type US

General Specifications

- Material Motor case: Aluminum (Black coating), Impeller: Plastic (Flammability: UL 94V-0)
- Expected life See the table below. (L10 life: 90% survival rate for continuous operation in free air at 60°C, rated voltage)
- Motor protection function Locked rotor burnout protection, Reverse polarity protection
For details, please refer to p. 529.
- Dielectric strength 50/60 Hz, 500 VAC, for 1 minute (between lead wire conductors and motor case)
- Insulation resistance 10 MΩ or more with a 500 VDC megger (between lead wire conductors and motor case)
- Sound pressure level (SPL) At 1 m away from the air inlet
- Storage temperature -30 to +70°C (Non-condensing)
- Lead wire ⊕Red ⊖Black (Sensor) Yellow (Control) Brown
- Mass 750 g

Specifications

When the optional inlet nozzle (109-1073) is mounted.

The models listed below **have pulse sensors with PWM control function.**

Model no.	Rated voltage [V]	Operating voltage range [V]	PWM duty cycle* [%]	Rated current [A]	Rated input [W]	Rated speed [min ⁻¹]	Max. airflow [m ³ /min] [CFM]	Max. static pressure [Pa] [inchH ₂ O]	SPL [dB (A)]	Operating temperature [°C]	Expected life [h]
9TG24P0G01	24	20.4 to 27.6	100	3.9	93.6	4700	14.0 494.7	885 3.55	73	-20 to +60	40000/60°C
9TG24P0S01				2.35	56.4	3900	11.6 409.8	609 2.45	69		
9TG48P0G01	48	36 to 55.2		1.95	93.6	4700	14.0 494.7	885 3.55	73	-20 to +70	

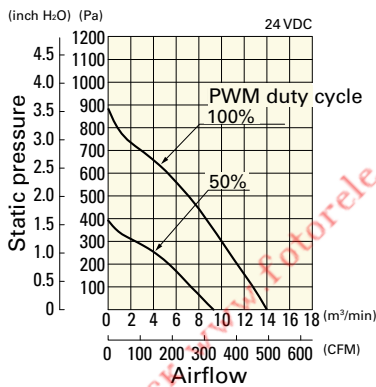
* PWM frequency: 25 kHz. Fan does not rotate when PWM duty cycle is 0%.
Max input is 130 W at rated voltage.

Other sensor specifications are available as options. Refer to the index (p. 558).

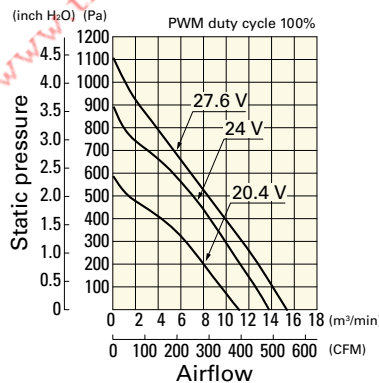
Airflow - Static Pressure Characteristics / PWM Duty - Speed Characteristics Example

9TG24P0G01 With pulse sensor with PWM control function

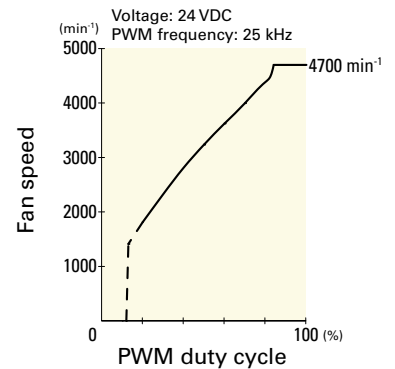
PWM duty cycle



Operating voltage range

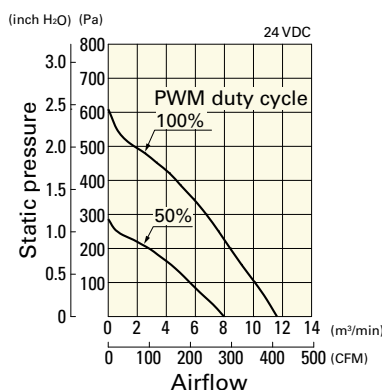


PWM duty - Speed characteristics example

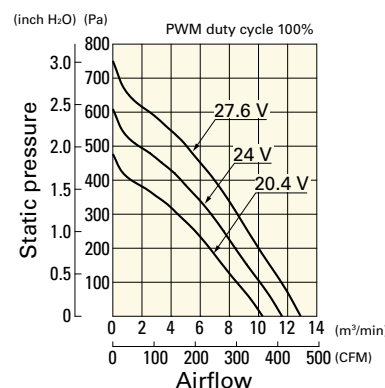


9TG24P0S01 With pulse sensor with PWM control function

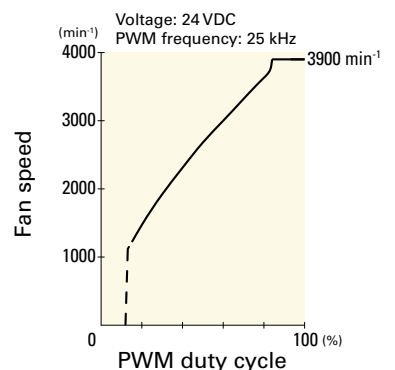
PWM duty cycle



Operating voltage range



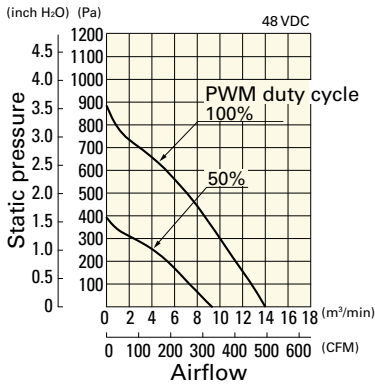
PWM duty - Speed characteristics example



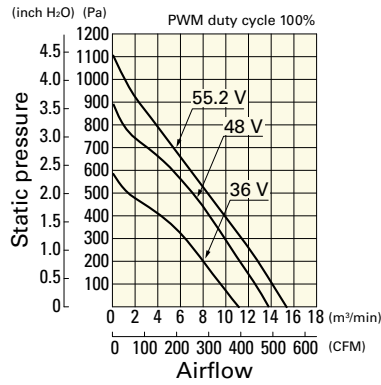
Airflow - Static Pressure Characteristics / PWM Duty - Speed Characteristics Example

9TG48P0G01 With pulse sensor with PWM control function

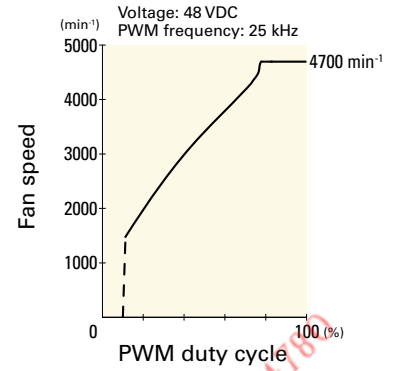
PWM duty cycle



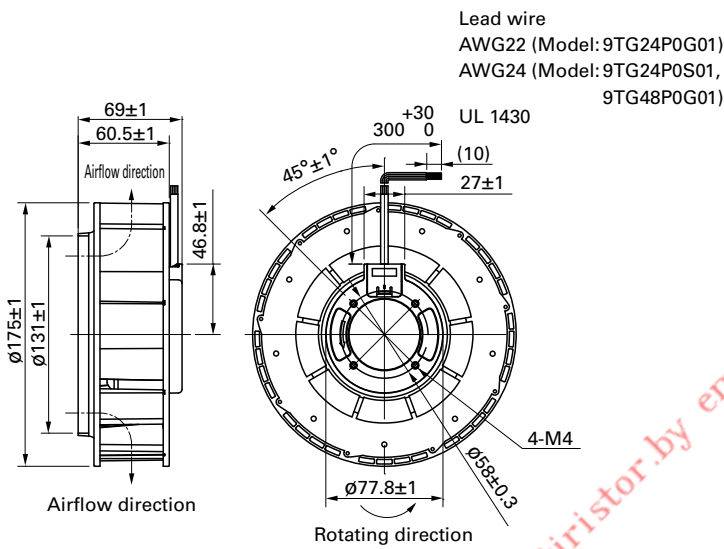
Operating voltage range



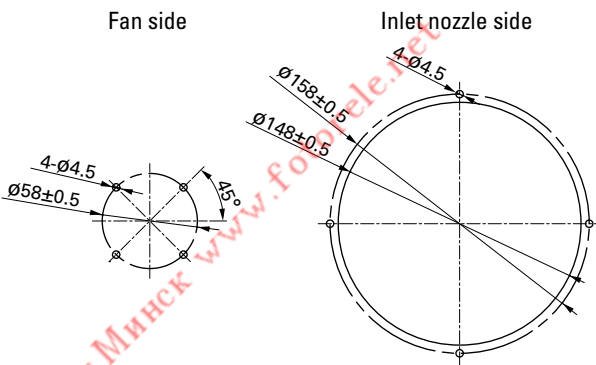
PWM duty - Speed characteristics example



Dimensions (unit: mm)



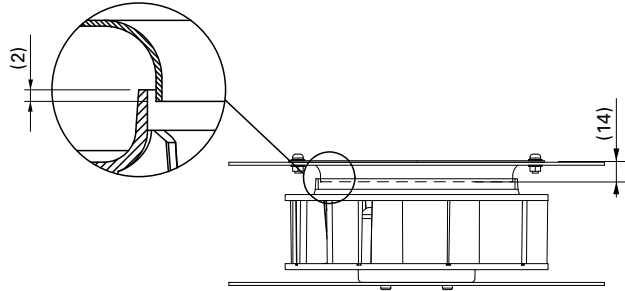
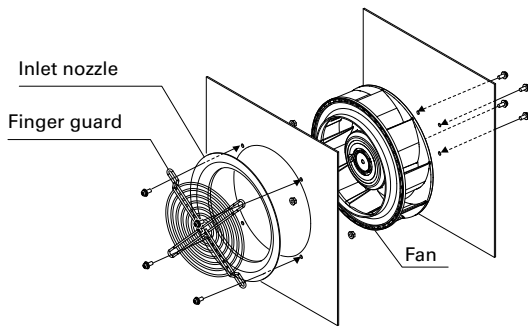
Reference Dimensions of Mounting Holes and Vent Opening (unit: mm)



DC

Centrifugal Fan Ø175 mm

Reference Diagram for Mounting



Bolt length: 4 to 6 mm.
To prevent bolts from loosening, use plain washers and spring washers.

Options

Finger guards

page: p. 514

Model no.: 109-722

Inlet nozzle

page: p. 518

Model no.: 109-1073, 109-1073H

г. Минск www.fotorele.net www.tiristor.by email minsk17@tut.by тел. +375447584780



∅221×71 mm

San Ace C221 9T type

General Specifications

- Material Motor case: Aluminum (Black coating), Impeller: Plastic (Flammability: UL 94V-0)
- Expected life See the table below. (L10 life: 90% survival rate for continuous operation in free air at 60°C, rated voltage)
- Motor protection function Locked rotor burnout protection, Reverse polarity protection
For details, please refer to p. 529.
- Dielectric strength 50/60 Hz, 500 VAC, for 1 minute (between lead wire conductors and motor case)
- Insulation resistance 10 MΩ or more with a 500 VDC megger (between lead wire conductors and motor case)
- Sound pressure level (SPL) At 1 m away from the air inlet
- Storage temperature -30 to +70°C (Non-condensing)
- Lead wire ⊕Red ⊖Black (Sensor) Yellow (Control) Brown
- Mass 1050 g

Specifications When the optional inlet nozzle (109-1135) is mounted.

The models listed below **have pulse sensors with PWM control function.**

Model no.	Rated voltage [V]	Operating voltage range [V]	PWM duty cycle* [%]	Rated current [A]	Rated input [W]	Rated speed [min ⁻¹]	Max. airflow [m ³ /min] [CFM]	Max. static pressure [Pa] [inchH ₂ O]	SPL [dB (A)]	Operating temperature [°C]	Expected life [h]
9TP24P0H001	24	16 to 36	100	3.2	76.8	3050	17.6 622	530 2.13	71	-20 to +70	40000/60°C (70000/40°C)
			15	0.4	9.6	1000	5.75 203	57.4 0.23	53		
9TP48P0G001	48	36 to 72	100	2.75	132	3650	21 742	760 3.05	74	-20 to +60	
			15	0.2	9.6	1000	5.75 203	57.4 0.23	53	-20 to +60	
100			1.6	76.8	3050	17.6 622	530 2.13	71	-20 to +70		
15			0.2	9.6	1000	5.75 203	57.4 0.23	53			

* PWM frequency: 25 kHz. Fan does not rotate when PWM duty cycle is 0%.
Max input of 9TP48P0G001: 280 W, 9TP24P0H001/9TP48P0H001: 160 W at rated voltage.

Other sensor specifications are available as options. Refer to the index (p. 558).

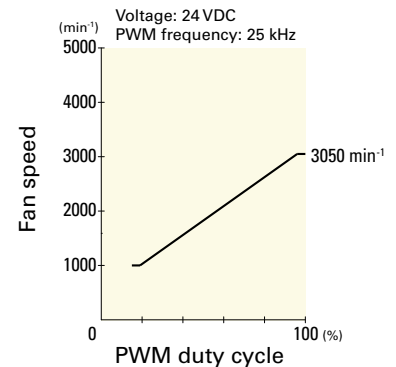
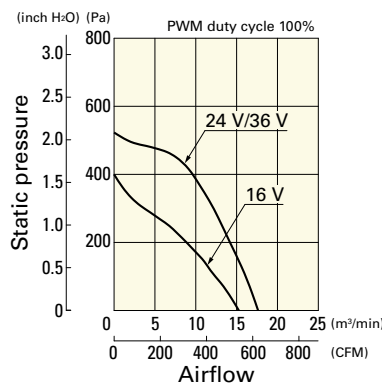
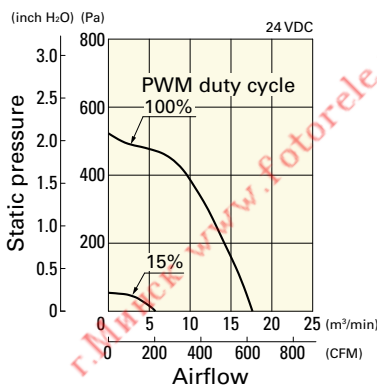
Airflow - Static Pressure Characteristics / PWM Duty - Speed Characteristics Example

9TP24P0H001 With pulse sensor with PWM control function

PWM duty cycle

Operating voltage range

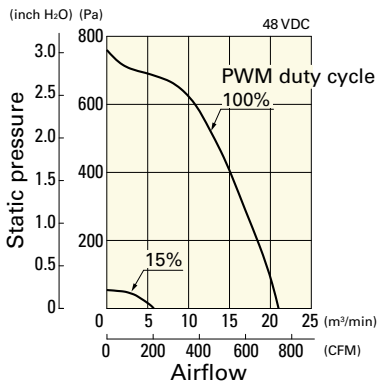
PWM duty - Speed characteristics example



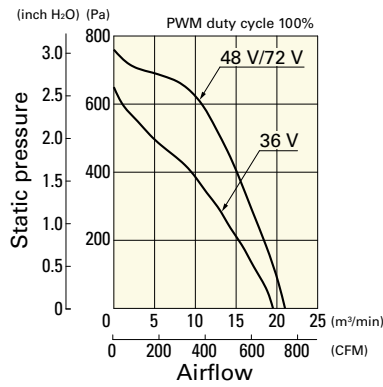
Airflow - Static Pressure Characteristics / PWM Duty - Speed Characteristics Example

9TP48POG001 With pulse sensor with PWM control function

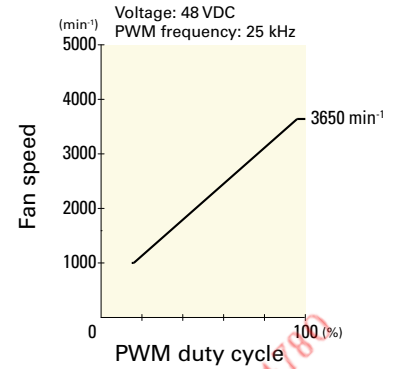
PWM duty cycle



Operating voltage range

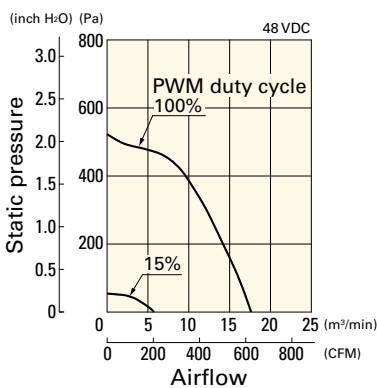


PWM duty - Speed characteristics example

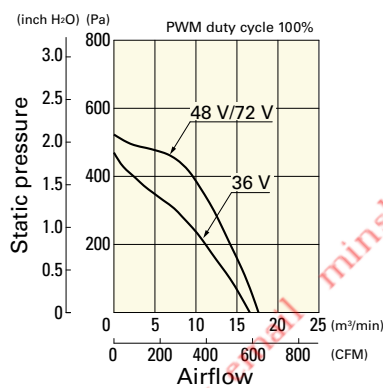


9TP48POH001 With pulse sensor with PWM control function

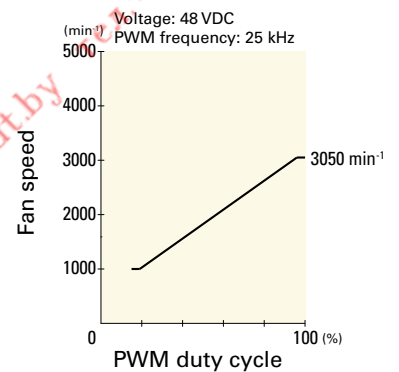
PWM duty cycle



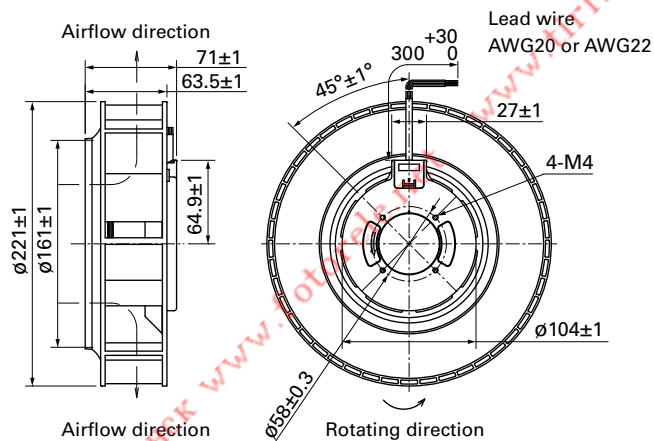
Operating voltage range



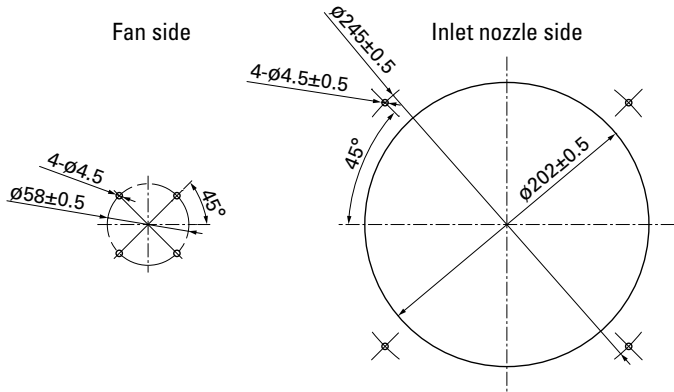
PWM duty - Speed characteristics example



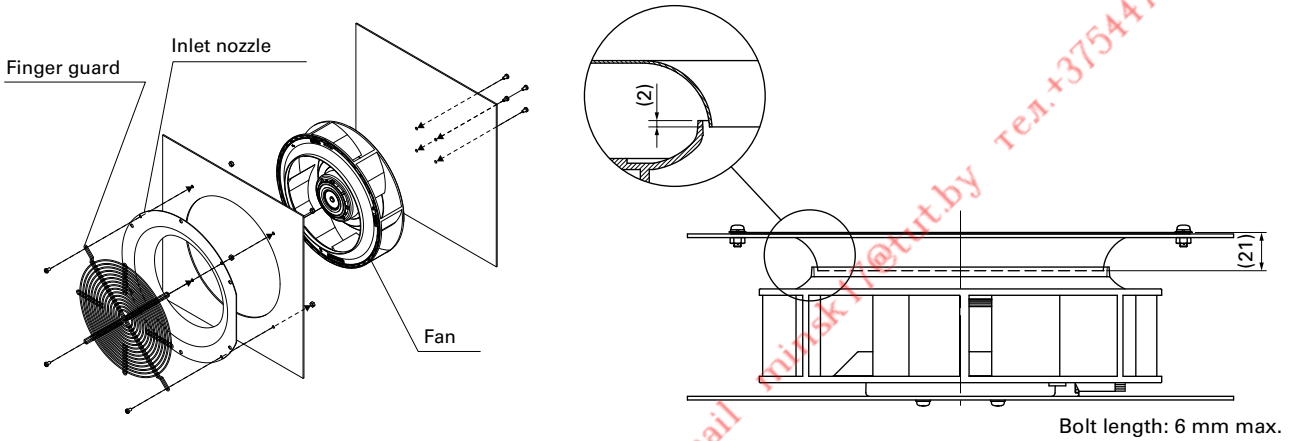
Dimensions (unit: mm)



■ Reference Dimensions of Mounting Holes and Vent Opening (unit: mm)



■ Reference Diagram for Mounting Bracket-mounted model of this fan is available. For details, refer to pp. 430 to 432.



■ Options

Finger guards

page: p. 516

Model no.: 109-1138

Inlet nozzle

page: p. 518

Model no.: 109-1135



∅225x99 mm

San Ace C225 9T type US

General Specifications

- Material Motor case: Aluminum (Black coating), Impeller: Plastic (Flammability: UL 94V-0)
- Expected life See the table below. (L10 life: 90% survival rate for continuous operation in free air at 60°C, rated voltage)
- Motor protection function Locked rotor burnout protection, Reverse polarity protection
For details, please refer to p. 529.
- Dielectric strength 50/60 Hz, 500 VAC, for 1 minute (between lead wire conductors and motor case)
- Insulation resistance 10 MΩ or more with a 500 VDC megger (between lead wire conductors and motor case)
- Sound pressure level (SPL) At 1 m away from the air inlet
- Storage temperature -30 to +70°C (Non-condensing)
- Lead wire ⊕Red ⊖Black Sensor Yellow Control Brown
- Mass 1220 g

Specifications

When the optional inlet nozzle (109-1134) is mounted.

The models listed below **have pulse sensors with PWM control function.**

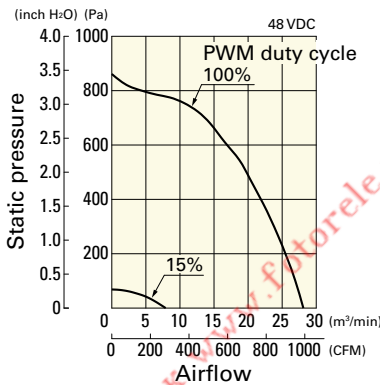
Model no.	Rated voltage [V]	Operating voltage range [V]	PWM duty cycle* [%]	Rated current [A]	Rated input [W]	Rated speed [min ⁻¹]	Max. airflow [m ³ /min] [CFM]	Max. static pressure [Pa] [inchH ₂ O]	SPL [dB (A)]	Operating temperature [°C]	Expected life [h]
9TS48P0G001	48	36 to 72	100	3.65	175.2	3550	28.1 992	861 3.46	74.5	-20 to +60	40000/60°C (70000/40°C)
			15	0.24	11.5	1000	7.85 277	68.5 0.28	52.0		
9TS48P0H001			100	2.08	99.8	2900	22.7 802	590 2.37	70.5	-20 to +70	
			15	0.24	11.5	1000	7.85 277	68.5 0.28	52.0		

* PWM frequency: 25 kHz. Fan does not rotate when PWM duty cycle is 0%.
Max input of 9TS48P0G001: 380 W, 9TS48P0H001: 200 W at rated voltage.

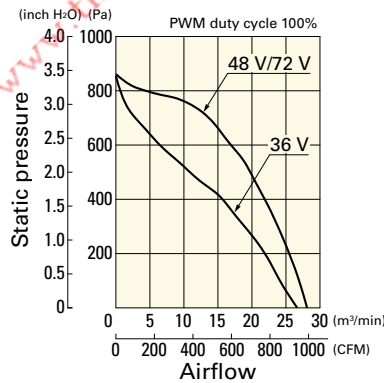
Airflow - Static Pressure Characteristics / PWM Duty - Speed Characteristics Example

9TS48P0G001 With pulse sensor with PWM control function

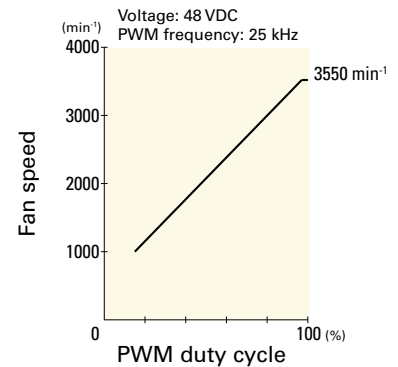
PWM duty cycle



Operating voltage range

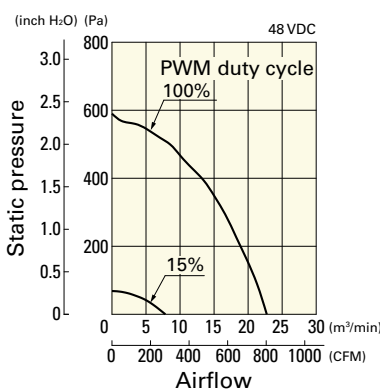


PWM duty - Speed characteristics example

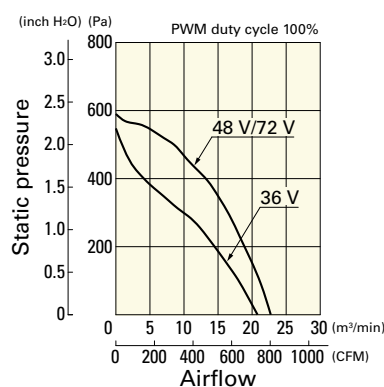


9TS48P0H001 With pulse sensor with PWM control function

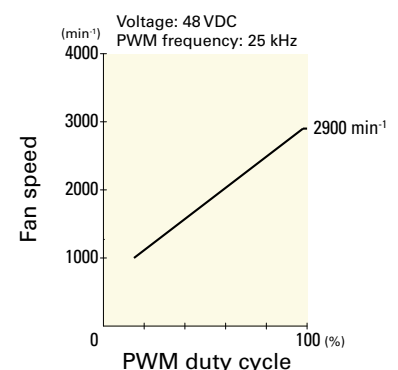
PWM duty cycle



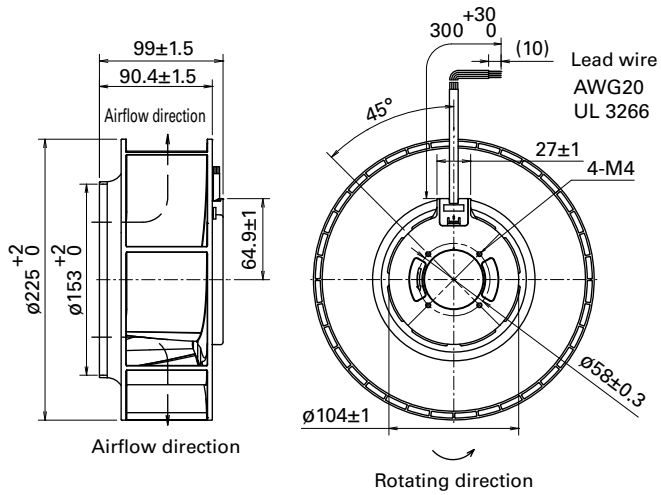
Operating voltage range



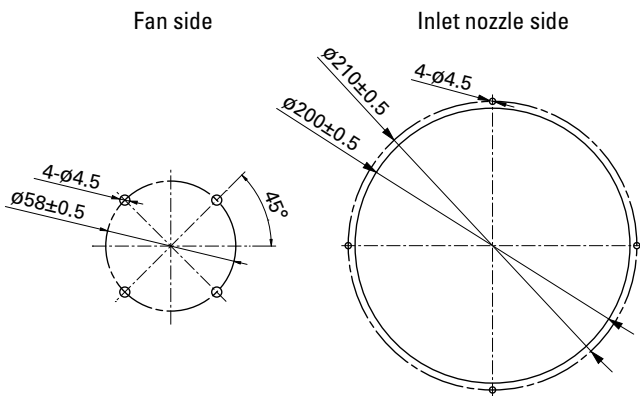
PWM duty - Speed characteristics example



Dimensions (unit: mm)

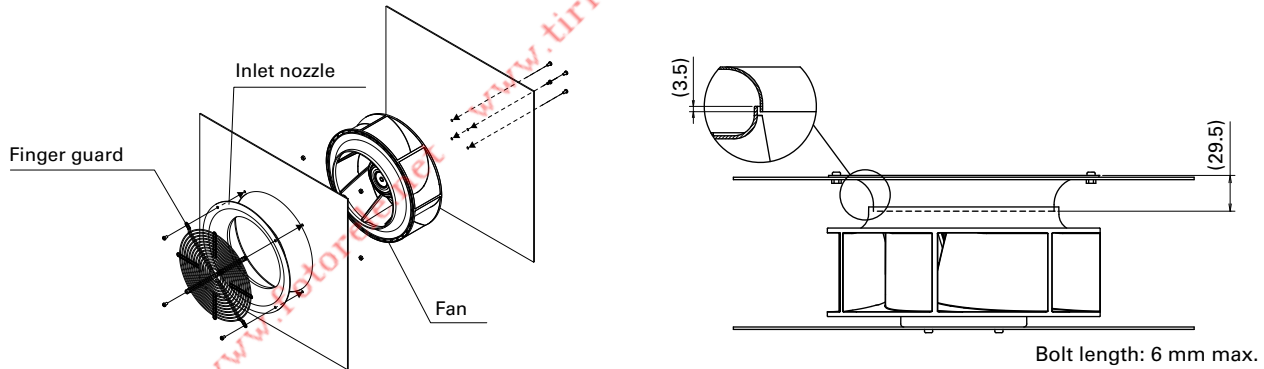


Reference Dimensions of Mounting Holes and Vent Opening (unit: mm)



Reference Diagram for Mounting

Bracket-mounted model of this fan is available. For details, refer to pp. 433 to 434.



Options

Finger guards

page: p. 516

Model no.: 109-1137

Inlet nozzle

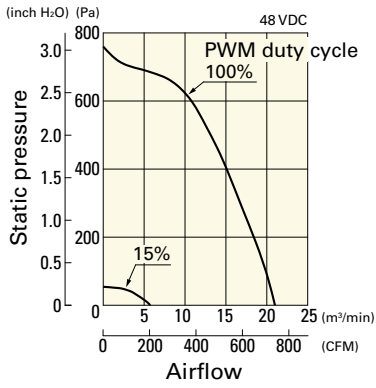
page: p. 518

Model no.: 109-1134

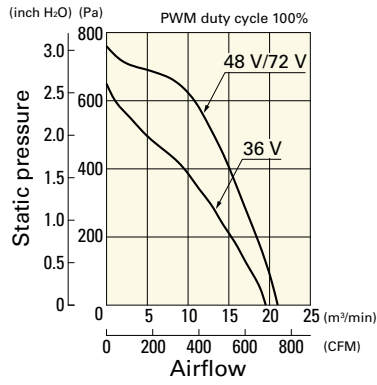
Airflow - Static Pressure Characteristics / PWM Duty - Speed Characteristics Example

9B1TP48P0G001 With pulse sensor with PWM control function

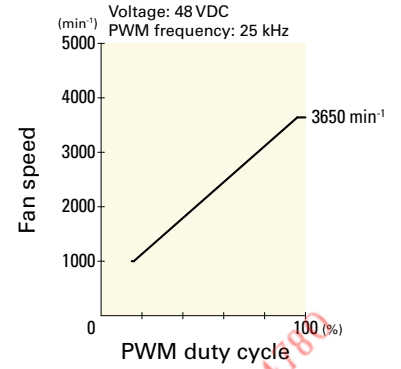
PWM duty cycle



Operating voltage range

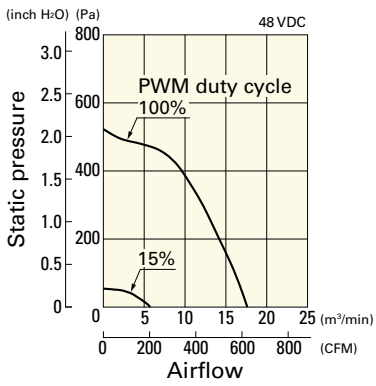


PWM duty - Speed characteristics example

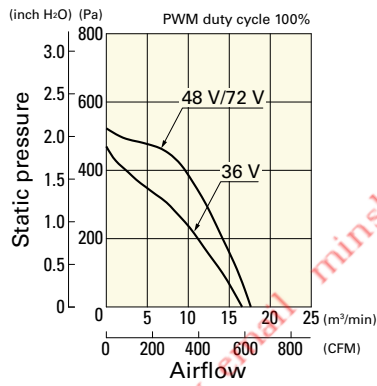


9B1TP48P0H001 With pulse sensor with PWM control function

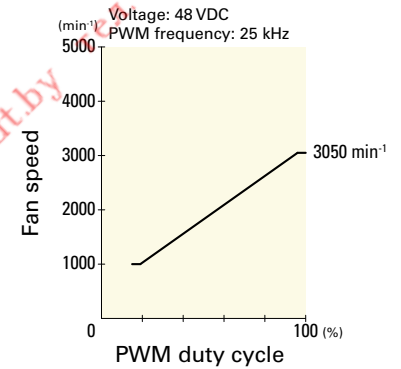
PWM duty cycle



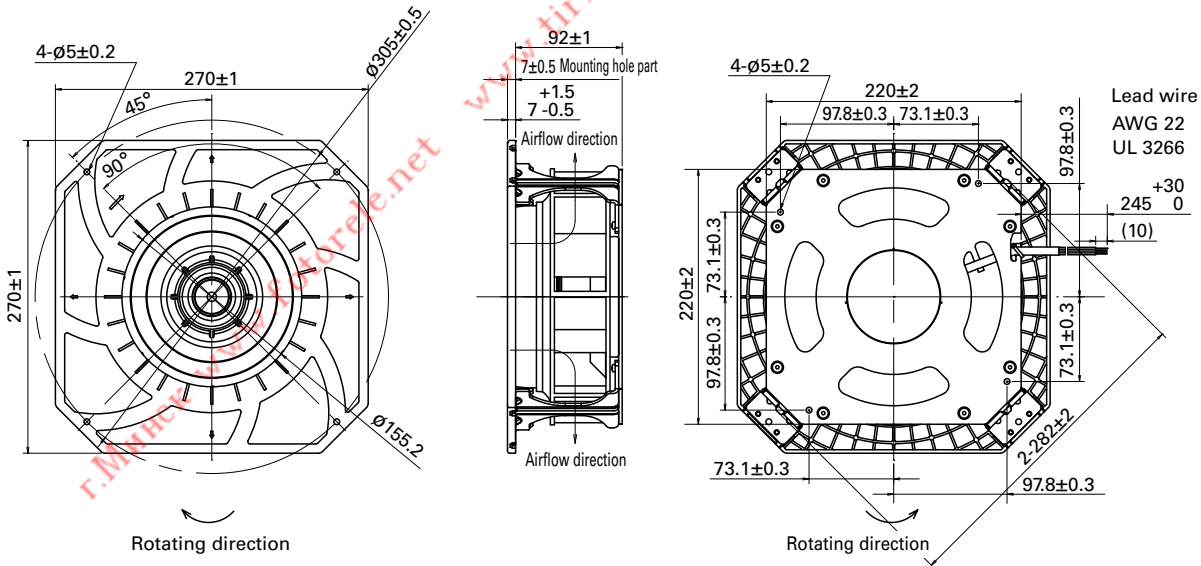
Operating voltage range



PWM duty - Speed characteristics example

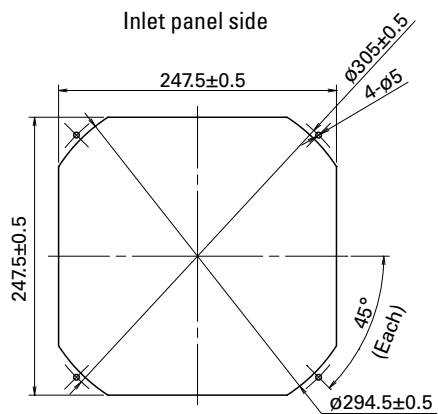


Dimensions (unit: mm)



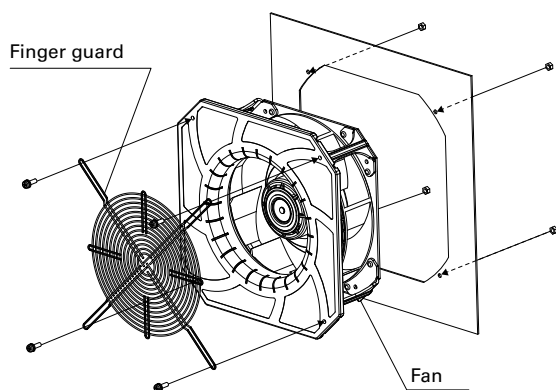
DC
Centrifugal Fan 270 mm sq.

Reference Dimensions of Mounting Holes and Vent Opening (unit: mm)



Reference Diagram for Mounting

Finger guard 109-1146 should be mounted with four holes as in the drawing.



Options

Finger guards

page: p. 517

Model no.: 109-1146



270×270×119 mm

San Ace C270 9B1T type

General Specifications

- Material Motor case: Aluminum (Black coating), Impeller: Plastic (Flammability: UL 94V-0)
Bracket: Aluminum, Plastic (Flammability: UL 94V-0)
- Expected life See the table below. (L10 life: 90% survival rate for continuous operation in free air at 60°C, rated voltage)
- Motor protection function Locked rotor burnout protection, Reverse polarity protection
For details, please refer to p. 529.
- Dielectric strength 50/60 Hz, 500 VAC, for 1 minute (between lead wire conductors and motor case)
- Insulation resistance 10 MΩ or more with a 500 VDC megger (between lead wire conductors and motor case)
- Sound pressure level (SPL) At 1 m away from the air inlet
- Storage temperature -30 to +70°C (Non-condensing)
- Lead wire ⊕Red ⊖Black (Sensor) Yellow (Control) Brown
- Mass 1920 g

Specifications

The models listed below **have pulse sensors with PWM control function.**

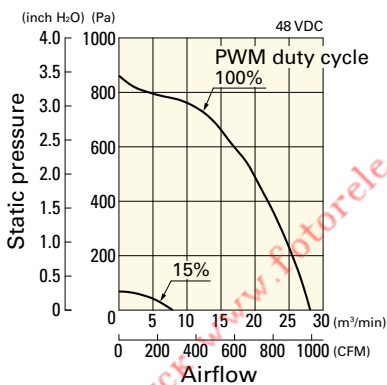
Model no.	Rated voltage [V]	Operating voltage range [V]	PWM duty cycle* [%]	Rated current [A]	Rated input [W]	Rated speed [min ⁻¹]	Max. airflow [m ³ /min] [CFM]	Max. static pressure [Pa] [inchH ₂ O]	SPL [dB (A)]	Operating temperature [°C]	Expected life [h]
9B1TS48P0G001	48	36 to 72	100	3.65	175.2	3550	28.1 992	861 3.46	74.5	-20 to +60	40000/60°C (70000/40°C)
			15	0.24	11.5	1000	7.85 277	68.5 0.28	52.0		
9B1TS48P0H001			100	2.08	99.8	2900	22.7 802	590 2.37	70.5	-20 to +70	
			15	0.24	11.5	1000	7.85 277	68.5 0.28	52.0		

* PWM frequency: 25 kHz. Fan does not rotate when PWM duty cycle is 0%.
Max input of 9B1TS48P0G001: 380 W, 9B1TS48P0H001: 200 W at rated voltage.

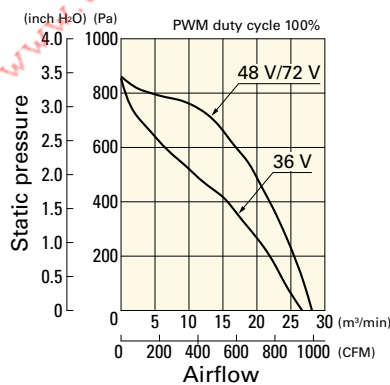
Airflow - Static Pressure Characteristics / PWM Duty - Speed Characteristics Example

9B1TS48P0G001 With pulse sensor with PWM control function

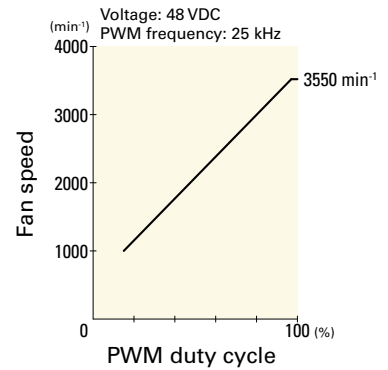
PWM duty cycle



Operating voltage range

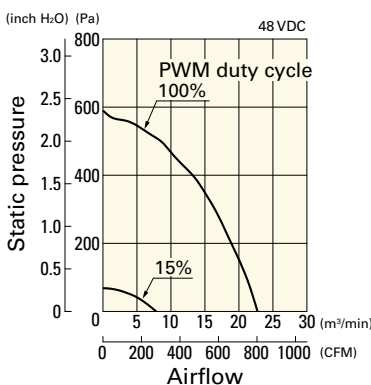


PWM duty - Speed characteristics example

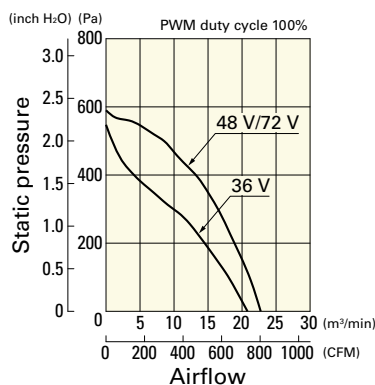


9B1TS48P0H001 With pulse sensor with PWM control function

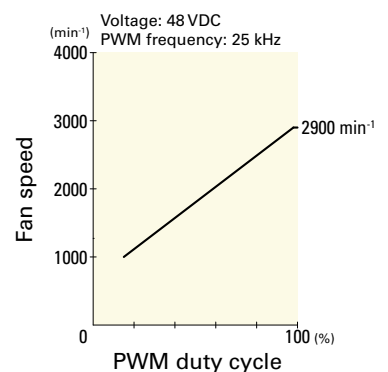
PWM duty cycle



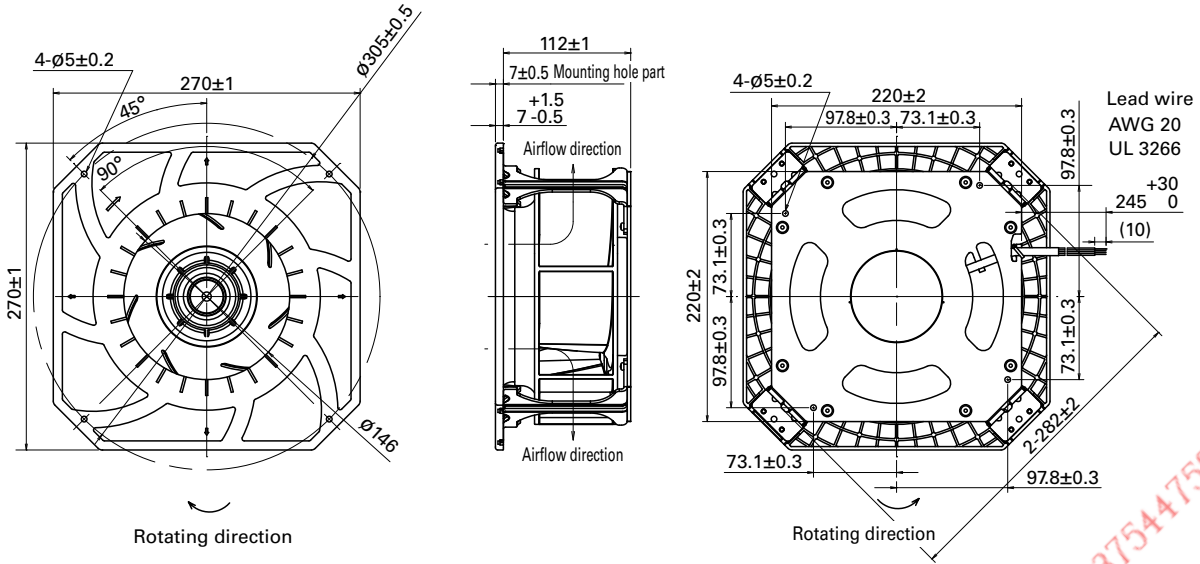
Operating voltage range



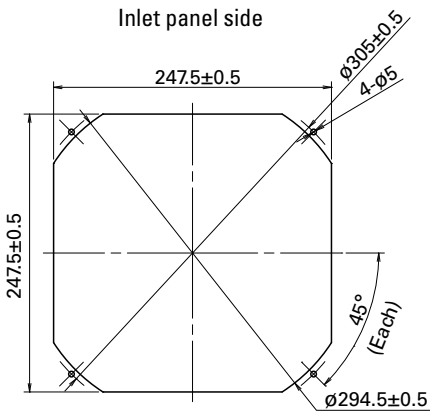
PWM duty - Speed characteristics example



Dimensions (unit: mm)

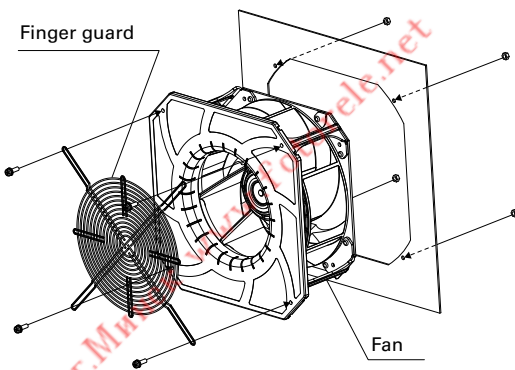


Reference Dimensions of Mounting Holes and Vent Opening (unit: mm)



Reference Diagram for Mounting

Finger guard 109-1146 should be mounted with four holes as in the drawing.



Options

Finger guards

page: p. 517

Model no.: 109-1146

Blower

Cooling fan specialized for high static pressure.

Model Numbering System Not every combination of the following codes or characters is available. Contact us for an available combination.

109B	C	12	H	C	2	-1
Type name	Frame size	Voltage	Speed code	Sensor specifications	Frame thickness	Individual customer's spec

9B	MB	12	G	2	01	-1
Type name	Frame size	Voltage	Speed code	Frame thickness	Sensor specifications	Individual customer's spec

Fans with PWM control function

9B	MB	12	P	2	G	01
Type name	Frame size	Voltage	PWM control function	Frame thickness	Speed code	Individual customer's spec (2 to 3 digits)

Type name	109B	9B					
Frame size (mm)	C	D	F, FB	G	J	M, MB, MC	
	52	76	120	160	127	97	
Voltage (V)	12	24					
	12	24					
Speed code	F	G	H	K	M	S	etc.
Sensor specifications	A, 02		C, 01		D		
	Without a sensor		With a pulse sensor		With a lock sensor		
Frame thickness (mm)	1	2	7	6			
	40	30, 32, 33	15	20			

How to Read Specifications (DC fan)

Model no.	Rated voltage [V]	Operating voltage range [V]	Rated current [A]	Rated input [W]	Rated speed [min ⁻¹]	Max. airflow [m ³ /min] [CFM]	Max. static pressure [Pa] [inchH ₂ O]	SPL [dB (A)]	Operating temperature [°C]	Expected life [h]
9GA0412G7001	12	7 to 13.8	0.17	2.04	13100	0.36 12.7	192 0.77	42	-20 to +70	40000/60°C (70000/40°C)

- Rated voltage** This is the necessary voltage to drive the fan. E.g.) 12 VDC, 24 VDC, 48 VDC
- Operating voltage range** The voltage range over which fan operation is guaranteed.
- Rated current** The current when the fan is operating at rated voltage (at free air).
- Rated input** The power value when the fan is operating at rated voltage (at free air).
- Rated speed** The speed when the fan is operating at rated voltage (at free air).
- Max. airflow** The maximum airflow that the fan can generate during rated operation (measured with our double chamber measuring device).
Airflow is the volume of air generated by the fan per unit of time.
- Max. static pressure** The maximum static pressure value that the fan can produce during rated operation (measured with our double chamber measuring device).
Static pressure indicates a fan's ability to move air against resistance due to the internal structure of the device to which the fan is installed.
- SPL** SPL stands for Sound Pressure Level. The noise level during the fan's rated operation.
Please refer to the technical material section for the measurement method.
- Operating temperature** The temperature range over which fan operation is guaranteed (Non- condensing).
- Expected life** Service life hours that 90% of bearings will survive without failing when continuously operated at the rated voltage and 60°C temperature. Expected life at 40°C is for reference only.
For more information, please refer to the technical material section.

52x15 mm

San Ace B52 9BC type    US



General Specifications

- Material Frame: Plastic (Flammability: UL 94V-0), Impeller: Plastic (Flammability: UL 94V-0)
- Expected life See the table below. (L10 life: 90% survival rate for continuous operation in free air at 60°C, rated voltage)
- Motor protection function Locked rotor burnout protection, Reverse polarity protection
For details, please refer to p. 529.
- Dielectric strength 50/60 Hz, 500 VAC, for 1 minute (between lead wire conductors and frame)
- Insulation resistance 10 MΩ or more with a 500 VDC megger (between lead wire conductors and frame)
- Sound pressure level (SPL) At 1 m away from the air inlet
- Storage temperature -30 to +70°C (Non-condensing)
- Lead wire ⊕Red ⊖Black (Sensor) Yellow
- Mass 33 g

Specifications

The models listed below **have pulse sensors**.

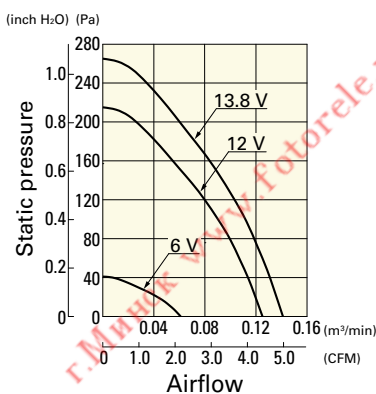
Model no.	Rated voltage [V]	Operating voltage range [V]	Rated current [A]	Rated input [W]	Rated speed [min ⁻¹]	Max. airflow [m ³ /min] [CFM]	Max. static pressure [Pa] [inchH ₂ O]	SPL [dB (A)]	Operating temperature [°C]	Expected life [h]
109BC12GC7-1	12	6 to 13.8	0.12	1.44	6200	0.125 4.4	215 0.86	43	-20 to +70	40000/60°C (70000/40°C)
109BC12HC7-1			0.1	1.2	5600	0.112 4.0	165 0.66	40		
109BC12FC7-1			0.08	0.96	5100	0.101 3.6	130 0.52	38		
109BC12MC7-1			0.06	0.72	4600	0.091 3.2	100 0.4	35		
109BC24GC7-1	24	12 to 27.6	0.07	1.68	6200	0.125 4.4	215 0.86	43		
109BC24HC7-1			0.05	1.2	5600	0.112 4.0	165 0.66	40		
109BC24FC7-1			0.04	0.96	5100	0.101 3.6	130 0.52	38		

Other sensor specifications are available as options. Refer to the index (p. 542).

Airflow - Static Pressure Characteristics

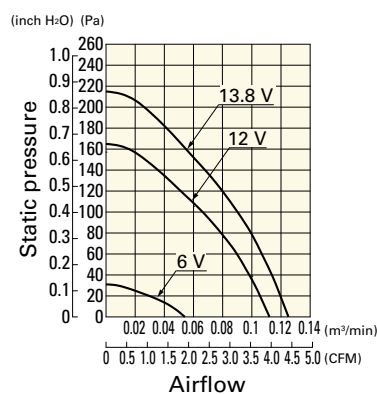
109BC12GC7-1 With pulse sensor

Operating voltage range



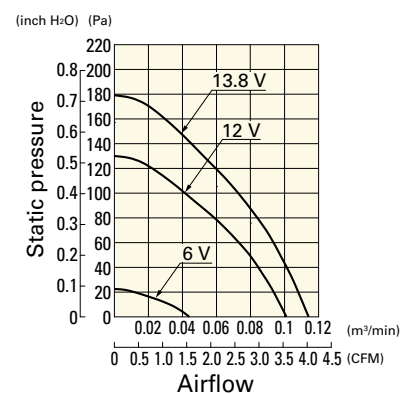
109BC12HC7-1 With pulse sensor

Operating voltage range



109BC12FC7-1 With pulse sensor

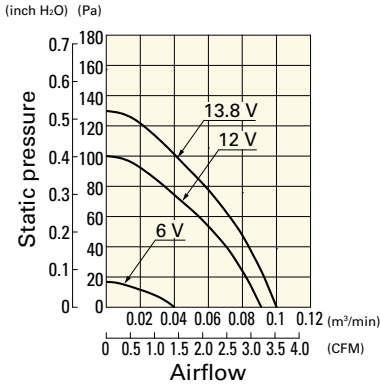
Operating voltage range



Airflow - Static Pressure Characteristics

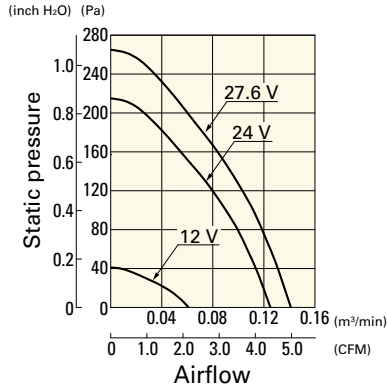
109BC12MC7-1 With pulse sensor

Operating voltage range



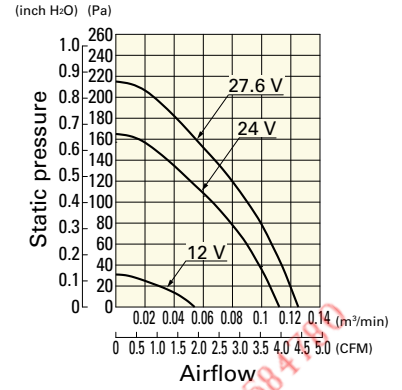
109BC24GC7-1 With pulse sensor

Operating voltage range



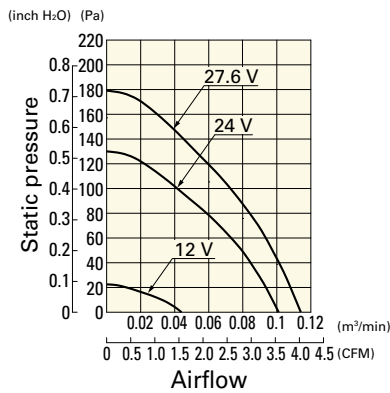
109BC24HC7-1 With pulse sensor

Operating voltage range

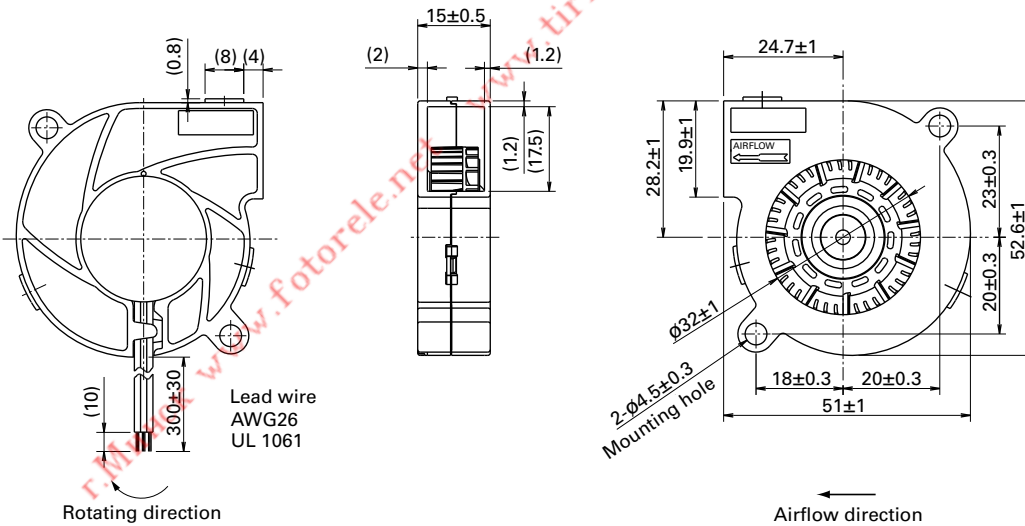


109BC24FC7-1 With pulse sensor

Operating voltage range



Dimensions (unit: mm)



Blower 52 mm DC

76x20 mm

San Ace B76 9BD type 



General Specifications

- Material Frame: Plastic (Flammability: UL 94V-0), Impeller: Plastic (Flammability: UL 94V-0)
- Expected life See the table below. (L10 life: 90% survival rate for continuous operation in free air at 60°C, rated voltage)
- Motor protection function Locked rotor burnout protection, Reverse polarity protection
For details, please refer to p. 529.
- Dielectric strength 50/60 Hz, 500 VAC, for 1 minute (between lead wire conductors and frame)
- Insulation resistance 10 MΩ or more with a 500 VDC megger (between lead wire conductors and frame)
- Sound pressure level (SPL) At 1 m away from the air inlet
- Storage temperature -30 to +70°C (Non-condensing)
- Lead wire ⊕Red ⊖Black (Sensor) Yellow
- Mass 58 g

Specifications

The models listed below **have pulse sensors**.

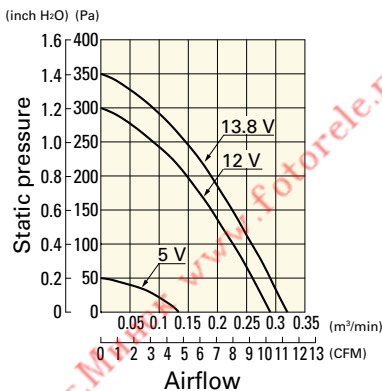
Model no.	Rated voltage [V]	Operating voltage range [V]	Rated current [A]	Rated input [W]	Rated speed [min ⁻¹]	Max. airflow [m ³ /min] [CFM]	Max. static pressure [Pa] [inchH ₂ O]	SPL [dB (A)]	Operating temperature [°C]	Expected life [h]
9BD12SC6-1	12	5 to 13.8	0.28	3.36	4500	0.29 10.2	300 1.2	43	-20 to +70	40000/60°C (70000/40°C)
9BD12HC6-1		5.5 to 13.8	0.21	2.52	4200	0.27 9.5	230 0.92	41		
9BD12FC6-1			0.18	2.16	3900	0.25 8.8	200 0.8	39		
9BD24SC6-1	24	10 to 27.6	0.14	3.36	4500	0.29 10.2	300 1.2	43		
9BD24HC6-1			0.12	2.88	4200	0.27 9.5	230 0.92	41		
9BD24FC6-1			0.1	2.4	3900	0.25 8.8	200 0.8	39		

Other sensor specifications are available as options. Refer to the index (p. 547).

Airflow - Static Pressure Characteristics

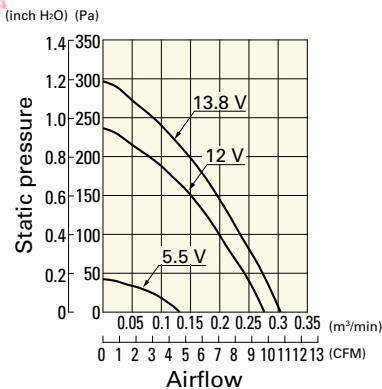
9BD12SC6-1 With pulse sensor

Operating voltage range



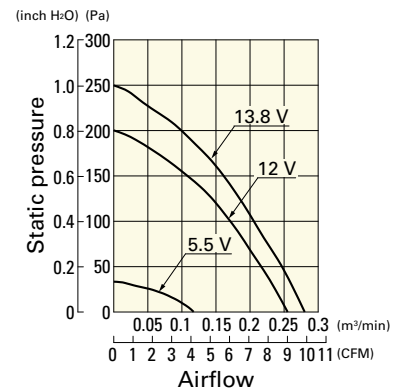
9BD12HC6-1 With pulse sensor

Operating voltage range



9BD12FC6-1 With pulse sensor

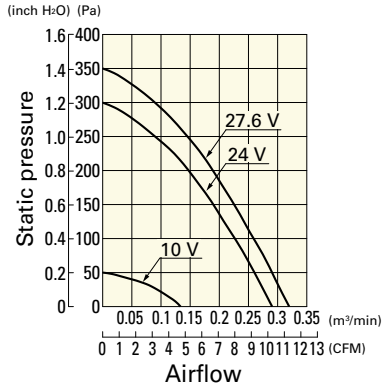
Operating voltage range



Airflow - Static Pressure Characteristics

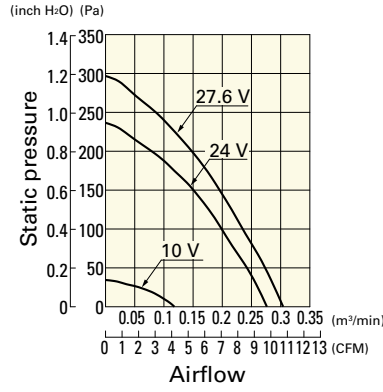
9BD24SC6-1 With pulse sensor

Operating voltage range



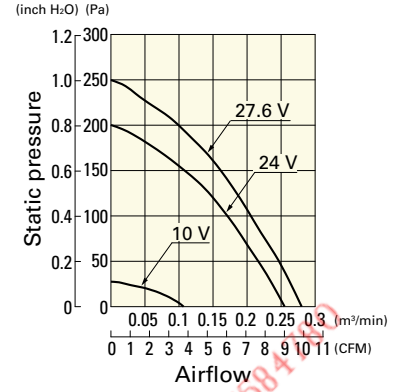
9BD24HC6-1 With pulse sensor

Operating voltage range

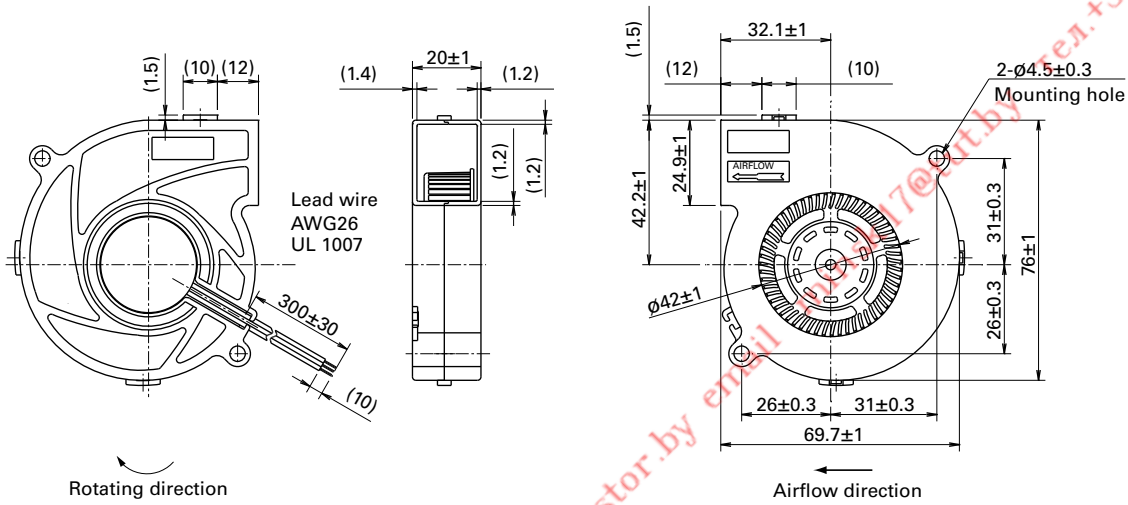


9BD24FC6-1 With pulse sensor

Operating voltage range



Dimensions (unit: mm)



Blower 76 mm DC

76×30 mm

San Ace B76 9BD type   



General Specifications

- Material Frame: Plastic (Flammability: UL 94V-0), Impeller: Plastic (Flammability: UL 94V-1)
- Expected life See the table below. (L10 life: 90% survival rate for continuous operation in free air at 60°C, rated voltage)
- Motor protection function Locked rotor burnout protection, Reverse polarity protection
For details, please refer to p. 529.
- Dielectric strength 50/60 Hz, 500 VAC, for 1 minute (between lead wire conductors and frame)
- Insulation resistance 10 MΩ or more with a 500 VDC megger (between lead wire conductors and frame)
- Sound pressure level (SPL) At 1 m away from the air inlet
- Storage temperature -30 to +70°C (Non-condensing)
- Lead wire ⊕Red ⊖Black or Blue (Sensor) Yellow
- Mass 100 g

Specifications

The models listed below **have pulse sensors**.

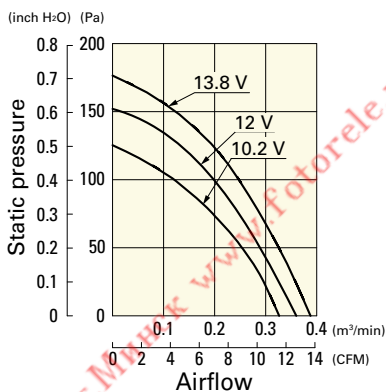
Model no.	Rated voltage [V]	Operating voltage range [V]	Rated current [A]	Rated input [W]	Rated speed [min ⁻¹]	Max. airflow [m ³ /min] [CFM]	Max. static pressure [Pa] [inchH ₂ O]	SPL [dB (A)]	Operating temperature [°C]	Expected life [h]
109BD12HC2	12	10.2 to 13.8	0.37	4.44	3000	0.36 12.7	151.9 0.61	41.5	-20 to +60	40000/60°C
109BD12FC2			0.27	3.24	2600	0.31 10.9	98 0.394	37		
109BD12MC2			0.14	1.68	2100	0.25 8.8	58.8 0.236	32.5		
109BD24HC2	24	20.4 to 27.6	0.17	4.08	3000	0.36 12.7	151.9 0.61	41.5	-20 to +60	
109BD24FC2			0.14	3.36	2600	0.31 10.9	98 0.394	37	-20 to +70	
109BD24MC2			0.1	2.4	2100	0.25 8.8	58.8 0.236	32.5	-20 to +70	

Other sensor specifications are available as options. Refer to the index (p. 542).

Airflow - Static Pressure Characteristics

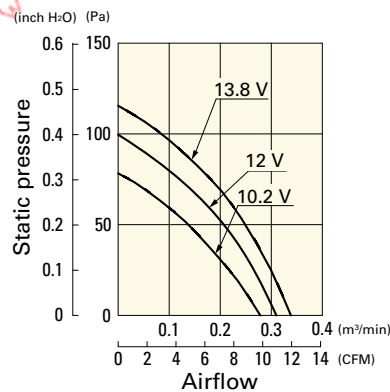
109BD12HC2 With pulse sensor

Operating voltage range



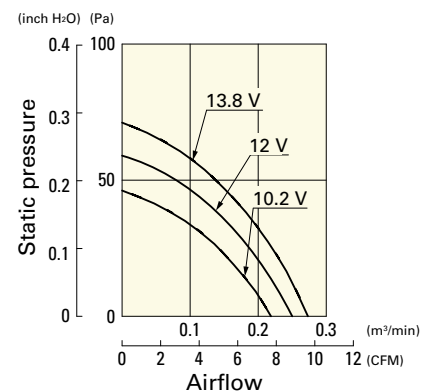
109BD12FC2 With pulse sensor

Operating voltage range



109BD12MC2 With pulse sensor

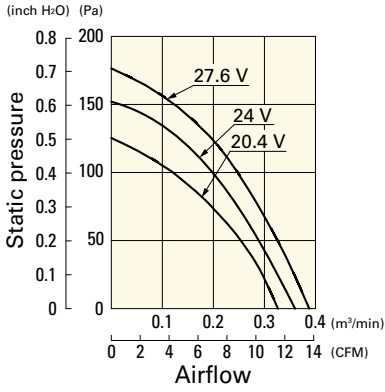
Operating voltage range



Airflow - Static Pressure Characteristics

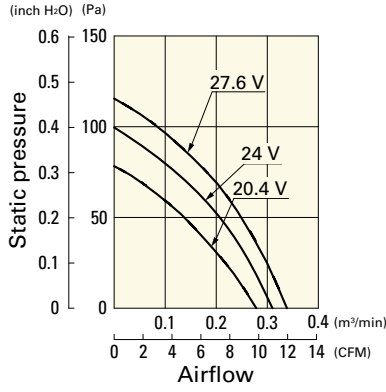
109BD24HC2 With pulse sensor

Operating voltage range



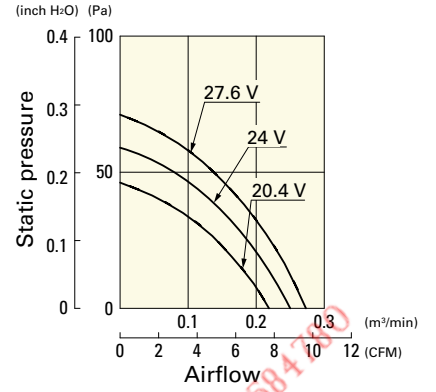
109BD24FC2 With pulse sensor

Operating voltage range

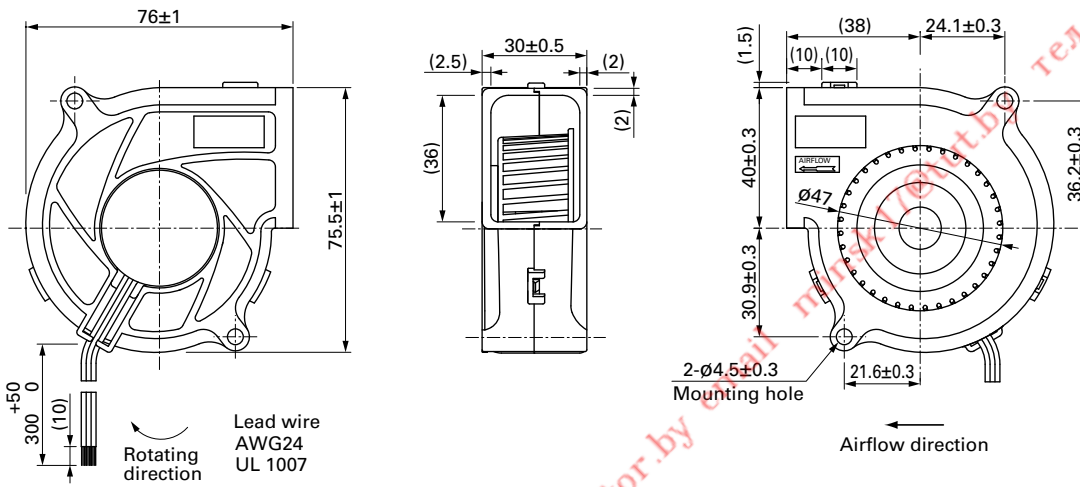


109BD24MC2 With pulse sensor

Operating voltage range



Dimensions (unit: mm)



Blower 76 mm DC

97×33 mm

San Ace B97 9BM type



General Specifications

- Material Frame: Plastic (Flammability: UL 94V-0), Impeller: Plastic (Flammability: UL 94V-0)
- Expected life See the table below. (L10 life: 90% survival rate for continuous operation in free air at 60°C, rated voltage)
- Motor protection function Locked rotor burnout protection, Reverse polarity protection
For details, please refer to p. 529.
- Dielectric strength 50/60 Hz, 500 VAC, for 1 minute (between lead wire conductors and frame)
- Insulation resistance 10 MΩ or more with a 500 VDC megger (between lead wire conductors and frame)
- Sound pressure level (SPL) At 1 m away from the air inlet
- Storage temperature -30 to +70°C (Non-condensing)
- Lead wire ⊕Red ⊖Black (Sensor) Yellow
- Mass 175 g

Specifications

The models listed below **have pulse sensors**.

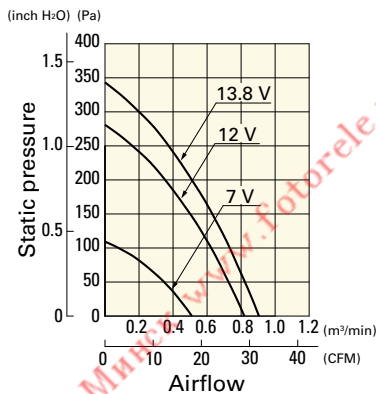
Model no.	Rated voltage [V]	Operating voltage range [V]	Rated current [A]	Rated input [W]	Rated speed [min ⁻¹]	Max. airflow [m ³ /min] [CFM]	Max. static pressure [Pa] [inchH ₂ O]	SPL [dB (A)]	Operating temperature [°C]	Expected life [h]
109BM12GC2-1	12	7 to 13.8	0.6	7.2	3800	0.82 28.9	281 1.129	51.5	-20 to +70	40000/60°C (70000/40°C)
109BM12HC2-1			0.4	4.8	3300	0.71 25.1	204 0.819	48.5		
109BM12MC2-1			0.26	3.12	2700	0.58 20.5	119 0.478	43.5		
109BM24GC2-1	24	12 to 27.6	0.31	7.44	3800	0.82 28.9	281 1.129	51.5		
109BM24HC2-1			0.26	6.24	3300	0.71 25.1	204 0.819	48.5		
109BM24MC2-1			0.15	3.6	2700	0.58 20.5	119 0.478	43.5		

Other sensor specifications are available as options. Refer to the index (p. 542).

Airflow - Static Pressure Characteristics

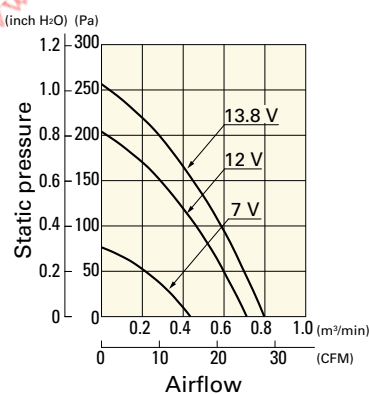
109BM12GC2-1 With pulse sensor

Operating voltage range



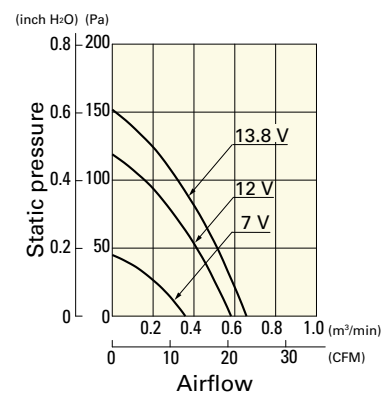
109BM12HC2-1 With pulse sensor

Operating voltage range



109BM12MC2-1 With pulse sensor

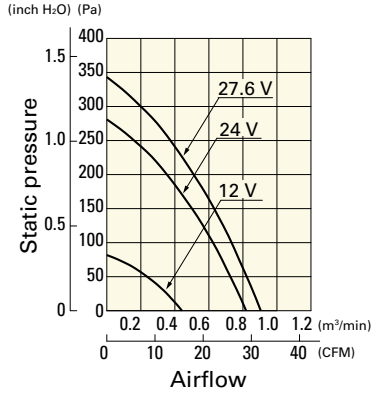
Operating voltage range



Airflow - Static Pressure Characteristics

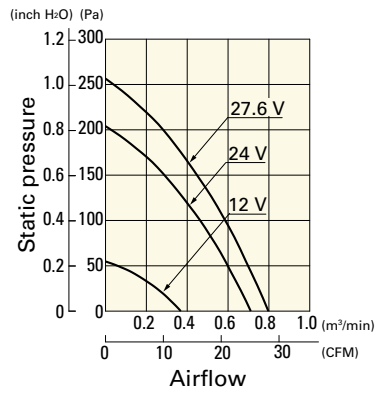
109BM24GC2-1 With pulse sensor

Operating voltage range



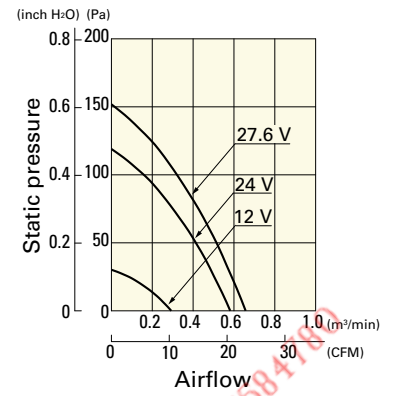
109BM24HC2-1 With pulse sensor

Operating voltage range

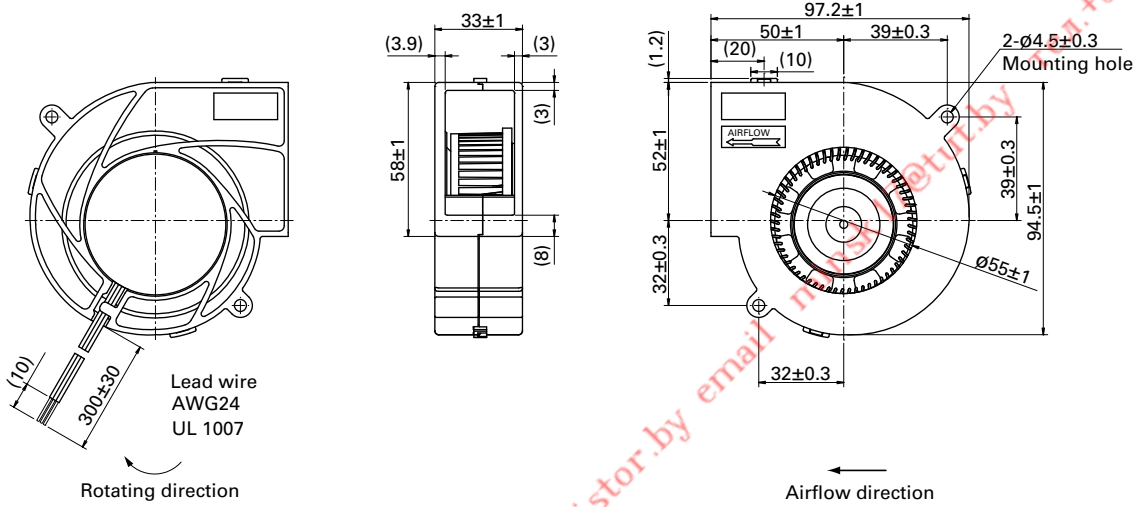


109BM24MC2-1 With pulse sensor

Operating voltage range



Dimensions (unit: mm)



Blower 97 mm DC



97×33 mm

San Ace B97 9BMC type

General Specifications

- Material Frame: Plastic (Flammability: UL 94V-0), Impeller: Plastic (Flammability: UL 94V-0)
- Expected life See the table below. (L10 life: 90% survival rate for continuous operation in free air at 60°C, rated voltage)
- Motor protection function Locked rotor burnout protection, Reverse polarity protection
For details, please refer to p. 529.
- Dielectric strength 50/60 Hz, 500 VAC, for 1 minute (between lead wire conductors and frame)
- Insulation resistance 10 MΩ or more with a 500 VDC megger (between lead wire conductors and frame)
- Sound pressure level (SPL) At 1 m away from the air inlet
- Storage temperature -30 to +70°C (Non-condensing)
- Lead wire ⊕Red ⊖Black (Sensor) Yellow (Control) Brown
- Mass 200 g

Specifications

The models listed below **have pulse sensors with PWM control function.**

Model no.	Rated voltage [V]	Operating voltage range [V]	PWM duty cycle* [%]	Rated current [A]	Rated input [W]	Rated speed [min ⁻¹]	Max. airflow [m ³ /min] [CFM]	Max. static pressure [Pa] [inchH ₂ O]	SPL [dB (A)]	Operating temperature [°C]	Expected life [h]
9BMC12P2G001	12	10.8 to 13.2	100	6.2	74.4	8200	1.85 65.3	1950 7.83	69	-20 to +70	40000/60°C (70000/40°C)
			20	0.38	4.56	2800	0.58 20.4	121.0 0.48	44		
9BMC24P2G001	24	21.6 to 26.4	100	3.1	74.4	8200	1.85 65.3	1950 7.83	69		
			20	0.19	4.56	2800	0.58 20.4	121.0 0.48	44		

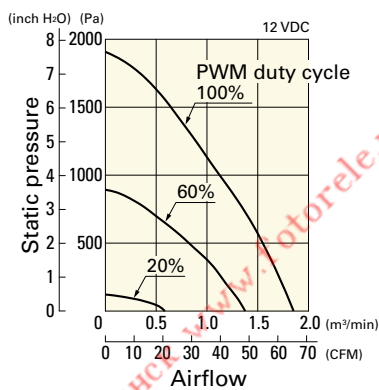
* PWM frequency: 25 kHz. Fan does not rotate when PWM duty cycle is 0%.

Other sensor specifications are available as options. Refer to the index (p. 548).

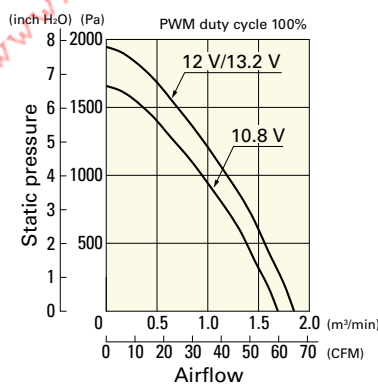
Airflow - Static Pressure Characteristics / PWM Duty - Speed Characteristics Example

9BMC12P2G001 With pulse sensor with PWM control function

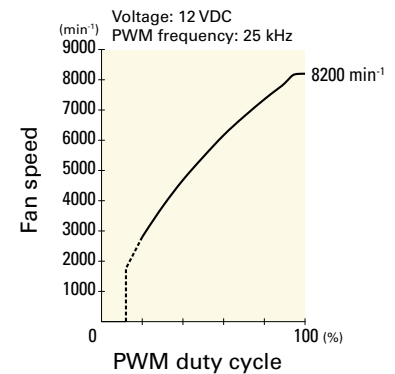
PWM duty cycle



Operating voltage range

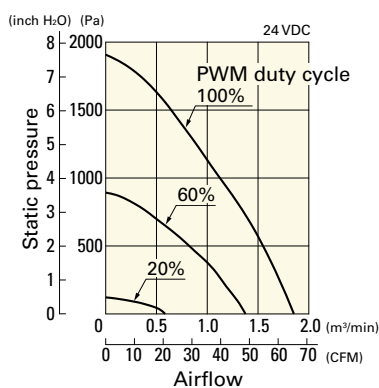


PWM duty - Speed characteristics example

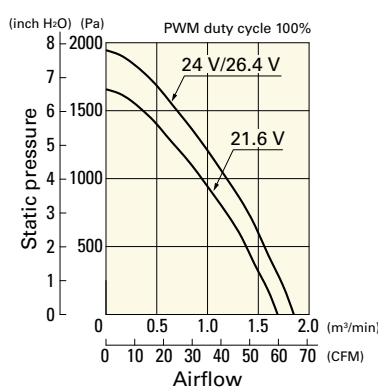


9BMC24P2G001 With pulse sensor with PWM control function

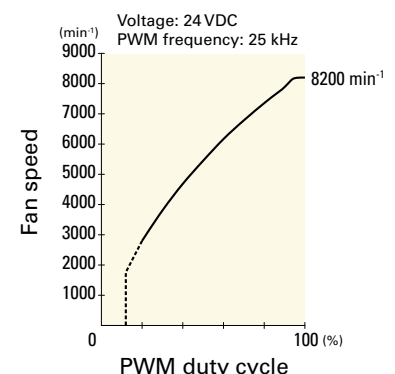
PWM duty cycle



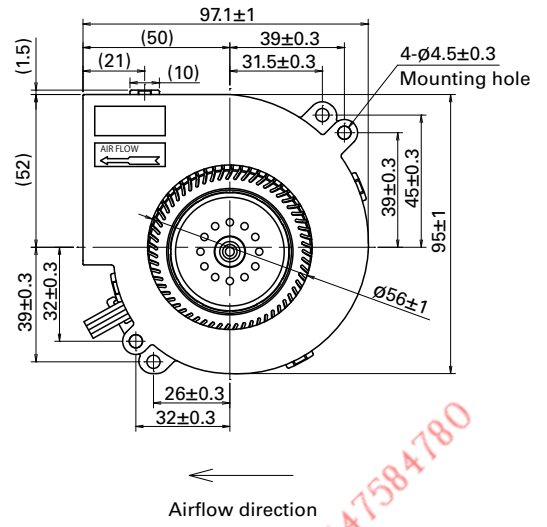
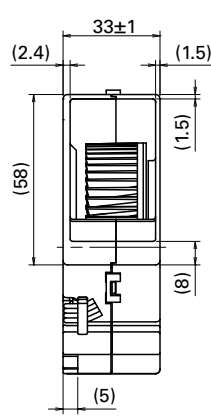
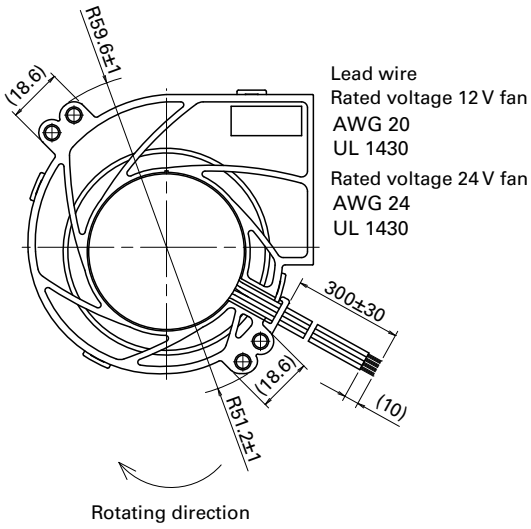
Operating voltage range



PWM duty - Speed characteristics example



Dimensions (unit: mm)



г. Минск www.fotorele.net www.tiristor.by email minsk17@tut.by тел. +375447584780

97×33 mm

San Ace B97 9BMB type



General Specifications

- Material Frame: Plastic (Flammability: UL 94V-0), Impeller: Plastic (Flammability: UL 94V-0)
- Expected life See the table below. (L10 life: 90% survival rate for continuous operation in free air at 60°C, rated voltage)
- Motor protection function Locked rotor burnout protection, Reverse polarity protection
For details, please refer to p. 529.
- Dielectric strength 50/60 Hz, 500 VAC, for 1 minute (between lead wire conductors and frame)
- Insulation resistance 10 MΩ or more with a 500 VDC megger (between lead wire conductors and frame)
- Sound pressure level (SPL) At 1 m away from the air inlet
- Storage temperature -30 to +70°C (Non-condensing)
- Lead wire ⊕Red ⊖Black (Sensor) Yellow (Control) Brown
(For models without PWM control function, there is no speed control wiring.)
- Mass 190 g

Specifications

The models listed below **have pulse sensors with PWM control function.**

Model no.	Rated voltage [V]	Operating voltage range [V]	PWM duty cycle* [%]	Rated current [A]	Rated input [W]	Rated speed [min ⁻¹]	Max. airflow [m ³ /min] [CFM]	Max. static pressure [Pa] [inchH ₂ O]	SPL [dB (A)]	Operating temperature [°C]	Expected life [h]
9BMB12P2K01	12	10.8 to 13.2	100	3.4	40.8	6850	1.61 56.8	1280 5.14	66	-20 to +70	40000/60°C
9BMB12P2G01			100	1.8	21.6	5750	1.34 47.3	760 3.05	61		
9BMB12P2S01		10.2 to 13.8	100	1.4	16.8	5250	1.22 43.1	610 2.45	59		
9BMB12P2H01			100	1.1	13.2	4850	1.11 39.2	490 1.968	57		
9BMB12P2F01			100	0.9	10.8	4500	1.04 36.7	410 1.64	56		
9BMB24P2K01	24	21.6 to 26.4	100	1.62	38.88	6850	1.61 56.8	1280 5.14	66		
9BMB24P2G01			100	0.83	19.92	5750	1.34 47.3	760 3.05	61		
9BMB24P2S01			100	0.7	16.8	5250	1.22 43.1	610 2.45	59		
9BMB24P2H01			100	0.55	13.2	4850	1.11 39.2	490 1.968	57		
9BMB24P2F01			100	0.45	10.8	4500	1.04 36.7	410 1.64	56		

* PWM frequency: 25 kHz. Fan does not rotate when PWM duty cycle is 0%.

The models listed below **have pulse sensors.**

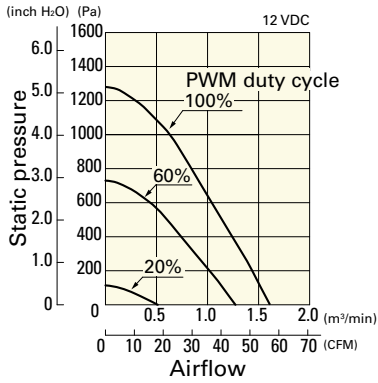
Model no.	Rated voltage [V]	Operating voltage range [V]	Rated current [A]	Rated input [W]	Rated speed [min ⁻¹]	Max. airflow [m ³ /min] [CFM]	Max. static pressure [Pa] [inchH ₂ O]	SPL [dB (A)]	Operating temperature [°C]	Expected life [h]
9BMB12K201	12	7 to 13.2	3.4	40.8	6850	1.61 56.8	1280 5.14	66	-20 to +70	40000/60°C
9BMB12G201			1.8	21.6	5750	1.34 47.3	760 3.052	61		
9BMB12S201		7 to 13.8	1.4	16.8	5250	1.22 43.1	610 2.45	59		
9BMB12H201			1.1	13.2	4850	1.11 39.2	490 1.968	57		
9BMB12F201			0.9	10.8	4500	1.04 36.7	410 1.647	56		
9BMB24K201	24	21.6 to 26.4	1.62	38.88	6850	1.61 56.8	1280 5.14	66		
9BMB24G201			0.83	19.9	5750	1.34 47.3	760 3.052	61		
9BMB24S201		12 to 26.4	0.7	16.8	5250	1.22 43.1	610 2.45	59		
9BMB24H201			0.55	13.2	4850	1.11 39.2	490 1.968	57		
9BMB24F201			0.45	10.8	4500	1.04 36.7	410 1.647	56		

Other sensor specifications are available as options. Refer to the index (pp. 547 to 548).

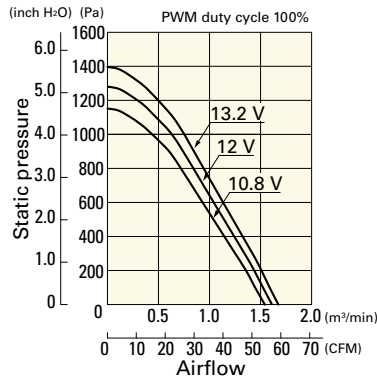
Airflow - Static Pressure Characteristics / PWM Duty - Speed Characteristics Example

9BMB12P2K01 With pulse sensor with PWM control function

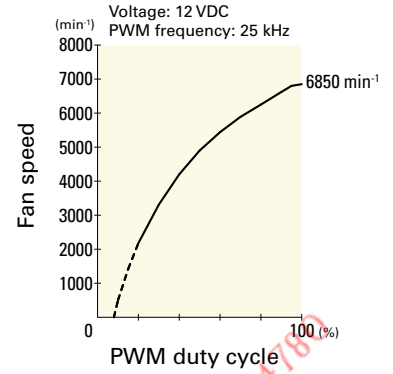
PWM duty cycle



Operating voltage range

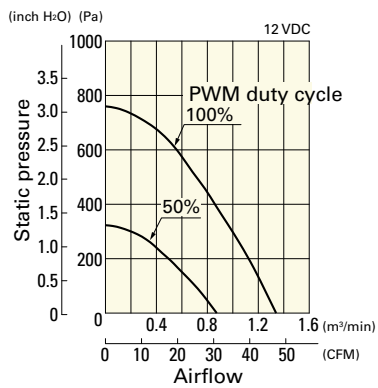


PWM duty - Speed characteristics example

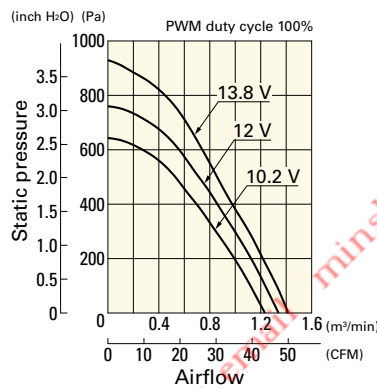


9BMB12P2G01 With pulse sensor with PWM control function

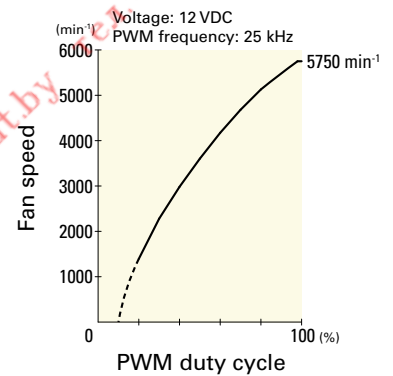
PWM duty cycle



Operating voltage range

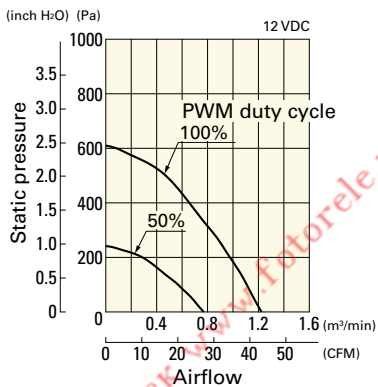


PWM duty - Speed characteristics example

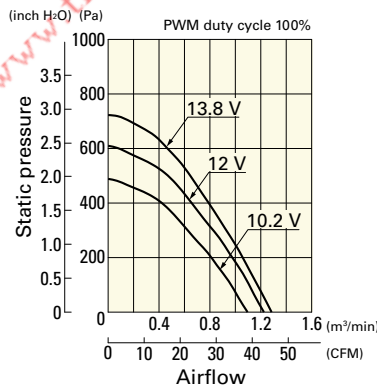


9BMB12P2S01 With pulse sensor with PWM control function

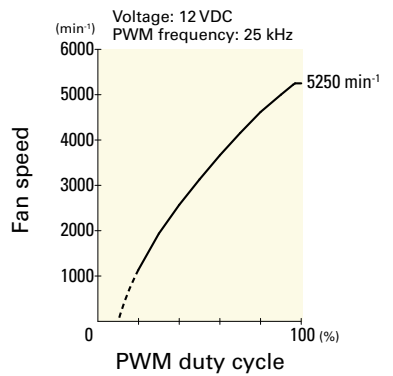
PWM duty cycle



Operating voltage range

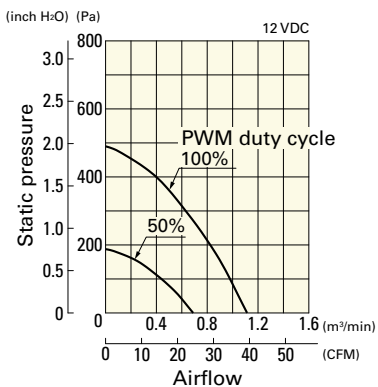


PWM duty - Speed characteristics example

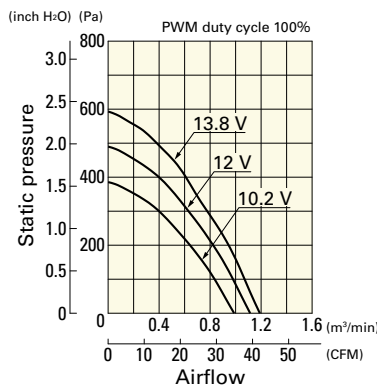


9BMB12P2H01 With pulse sensor with PWM control function

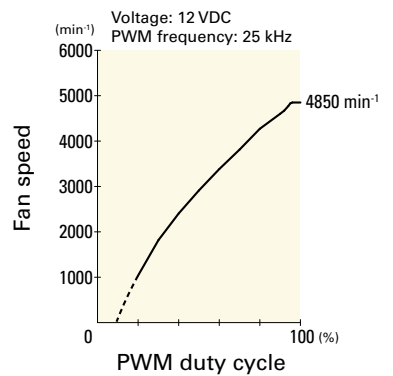
PWM duty cycle



Operating voltage range



PWM duty - Speed characteristics example

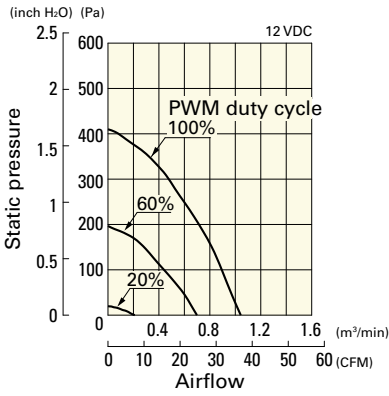


Blower 97 mm DC

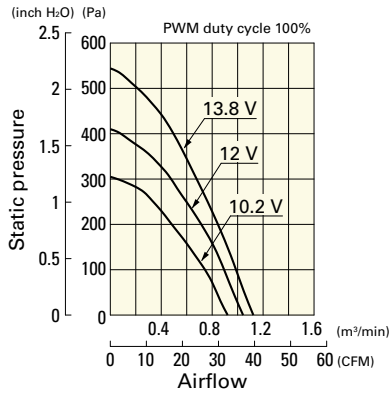
Airflow - Static Pressure Characteristics / PWM Duty - Speed Characteristics Example

9BMB12P2F01 With pulse sensor with PWM control function

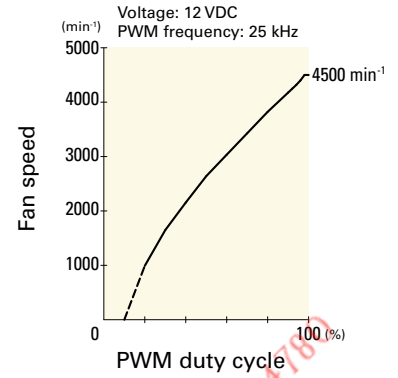
PWM duty cycle



Operating voltage range

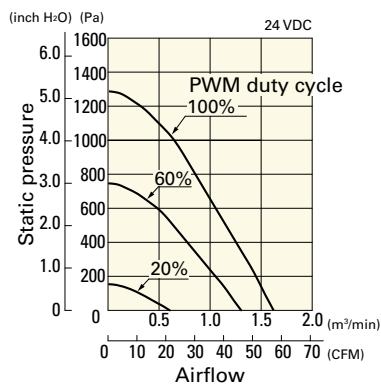


PWM duty - Speed characteristics example

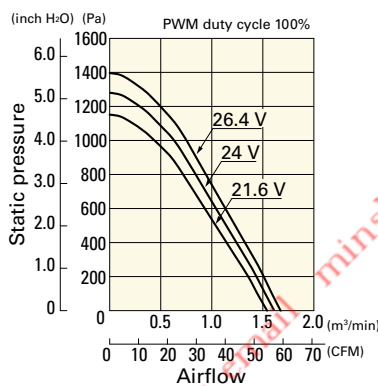


9BMB24P2K01 With pulse sensor with PWM control function

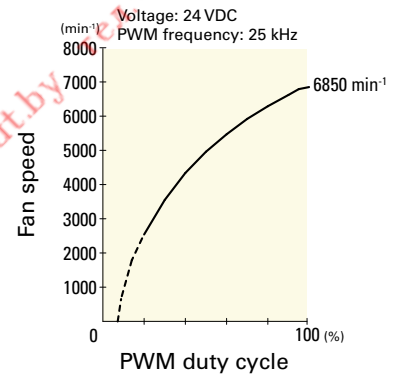
PWM duty cycle



Operating voltage range

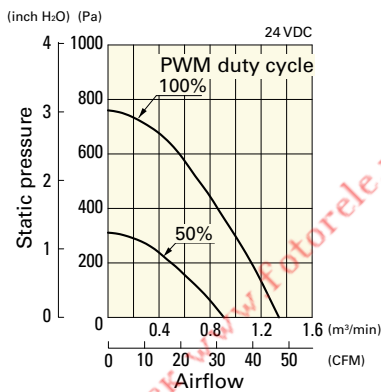


PWM duty - Speed characteristics example

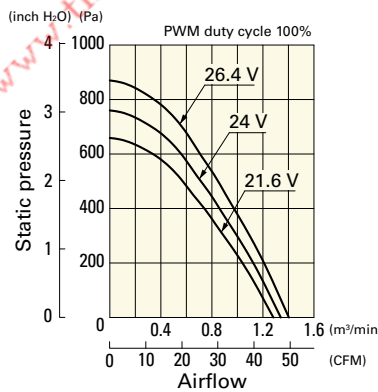


9BMB24P2G01 With pulse sensor with PWM control function

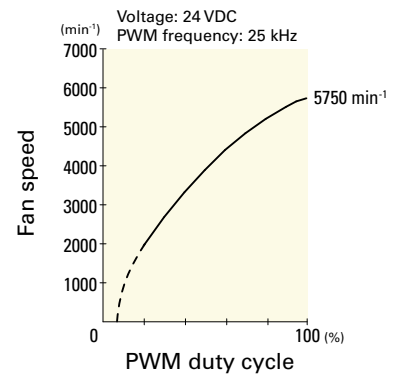
PWM duty cycle



Operating voltage range

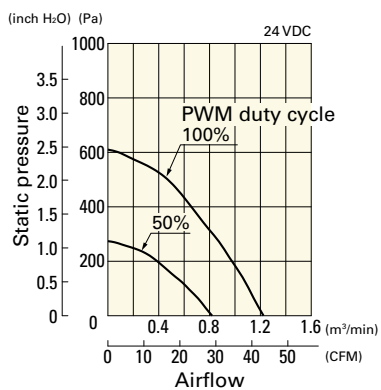


PWM duty - Speed characteristics example

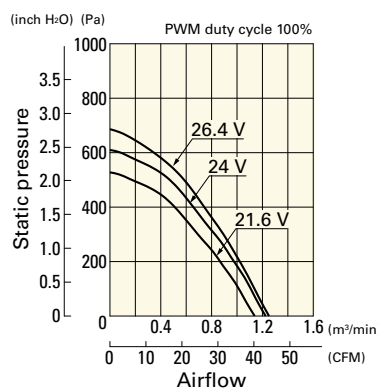


9BMB24P2S01 With pulse sensor with PWM control function

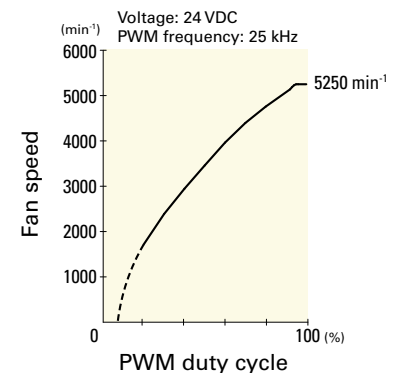
PWM duty cycle



Operating voltage range



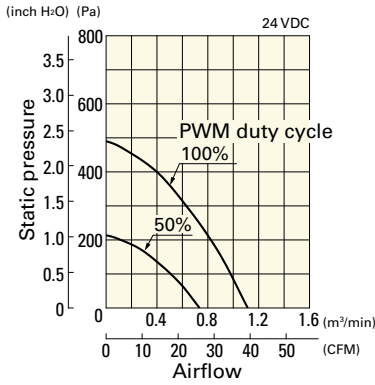
PWM duty - Speed characteristics example



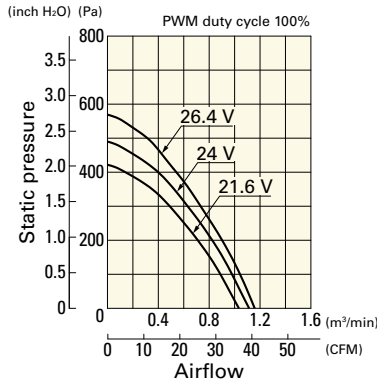
Airflow - Static Pressure Characteristics / PWM Duty - Speed Characteristics Example

9BMB24P2H01 With pulse sensor with PWM control function

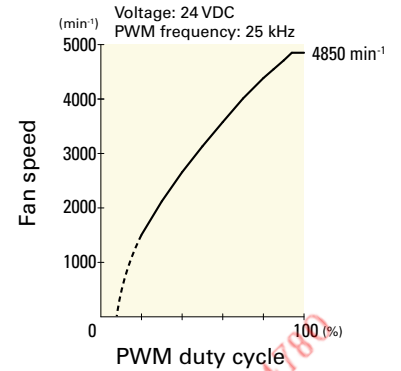
PWM duty cycle



Operating voltage range

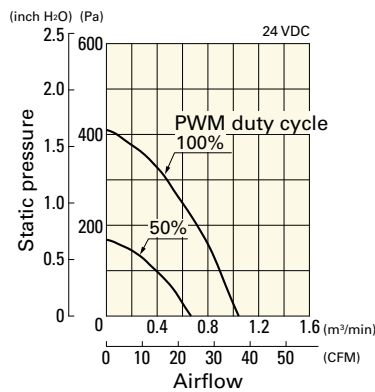


PWM duty - Speed characteristics example

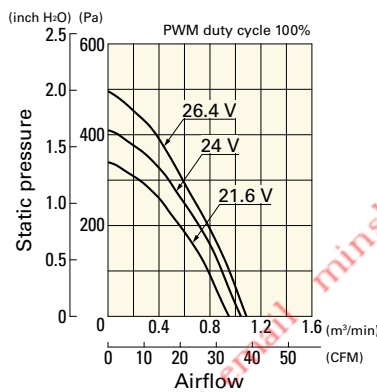


9BMB24P2F01 With pulse sensor with PWM control function

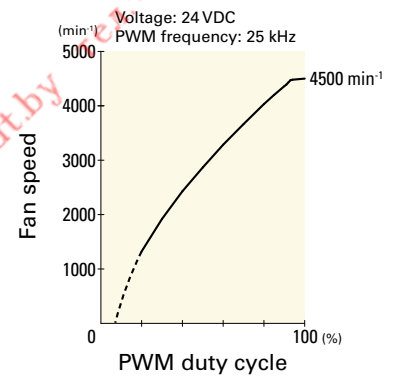
PWM duty cycle



Operating voltage range

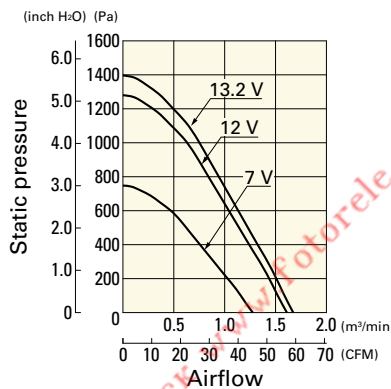


PWM duty - Speed characteristics example



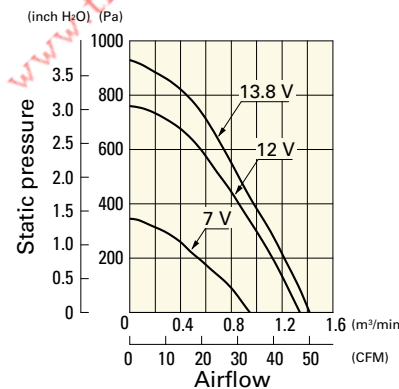
9BMB12K201 With pulse sensor

Operating voltage range



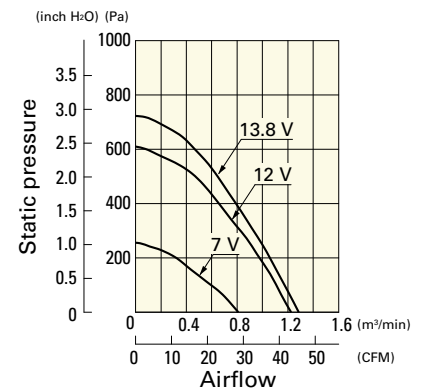
9BMB12G201 With pulse sensor

Operating voltage range



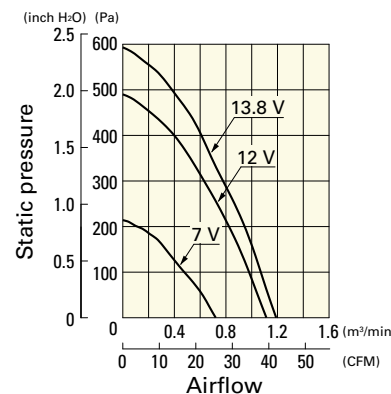
9BMB12S201 With pulse sensor

Operating voltage range



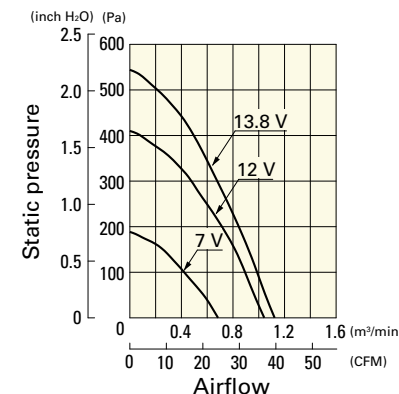
9BMB12H201 With pulse sensor

Operating voltage range



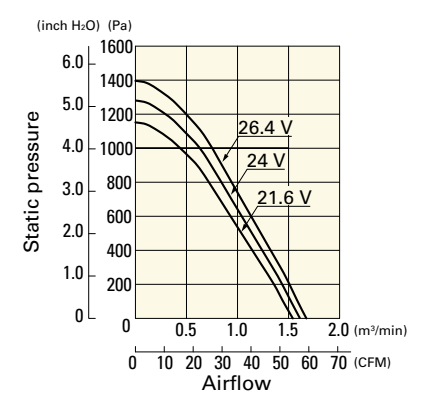
9BMB12F201 With pulse sensor

Operating voltage range



9BMB24K201 With pulse sensor

Operating voltage range

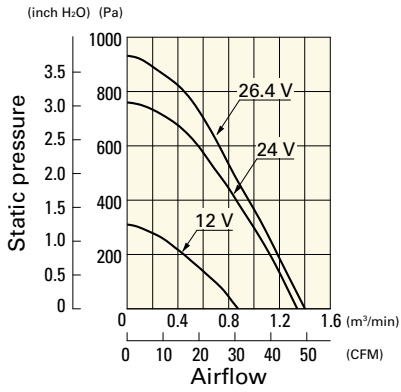


Blower 97 mm DC

Airflow - Static Pressure Characteristics

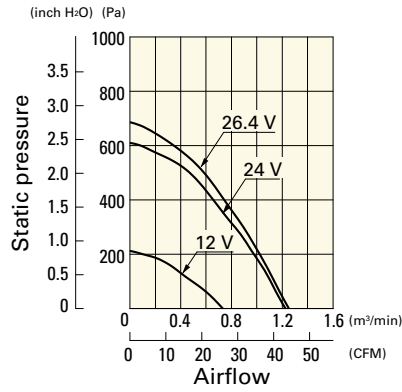
9BMB24G201 With pulse sensor

Operating voltage range



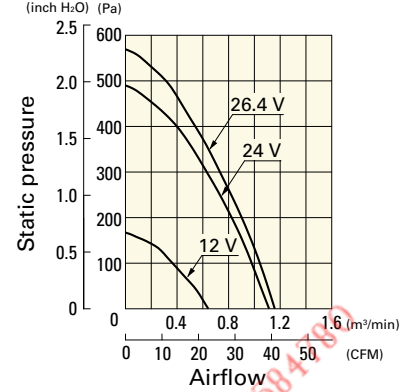
9BMB24S201 With pulse sensor

Operating voltage range



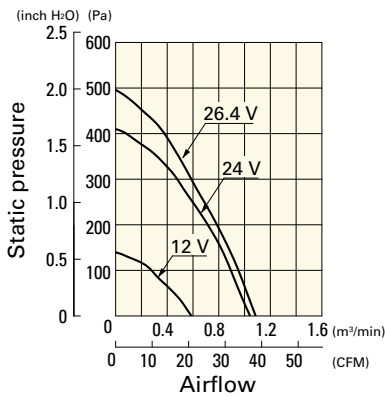
9BMB24H201 With pulse sensor

Operating voltage range

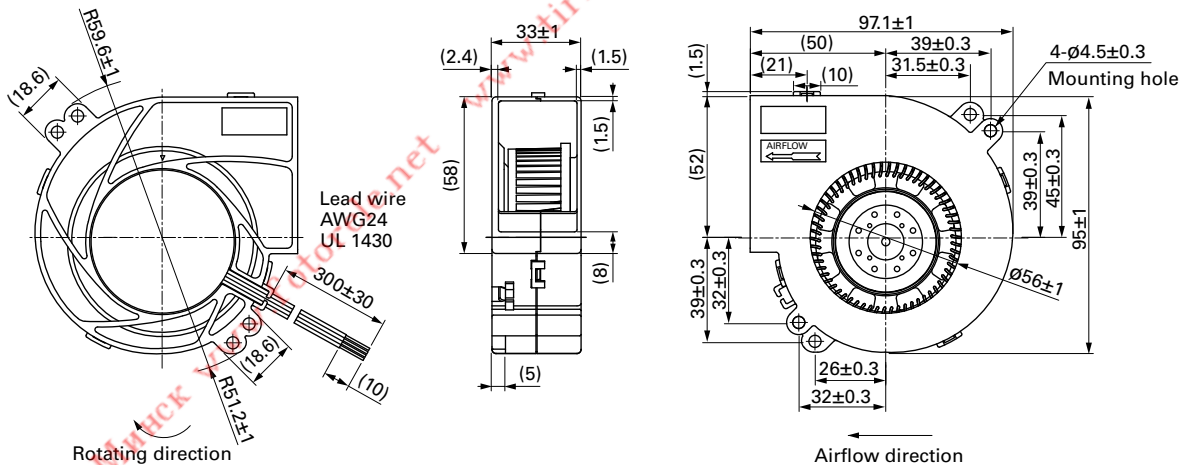


9BMB24F201 With pulse sensor

Operating voltage range



Dimensions (unit: mm) (With pulse sensor with PWM control function)





120x32 mm

San Ace B120 9BFB type

General Specifications

- Material Frame: Plastic (Flammability: UL 94V-0), Impeller: Plastic (Flammability: UL 94V-0)
- Expected life See the table below. (L10 life: 90% survival rate for continuous operation in free air at 60°C, rated voltage)
- Motor protection function Locked rotor burnout protection, Reverse polarity protection
For details, please refer to p. 529.
- Dielectric strength 50/60 Hz, 500 VAC, for 1 minute (between lead wire conductors and frame)
- Insulation resistance 10 MΩ or more with a 500 VDC megger (between lead wire conductors and frame)
- Sound pressure level (SPL) At 1 m away from the air inlet
- Storage temperature -30 to +70°C (Non-condensing)
- Lead wire ⊕Red ⊖Black (Sensor) Yellow (Control) Brown
- Mass 340 g

Specifications

The models listed below **have pulse sensors with PWM control function.**

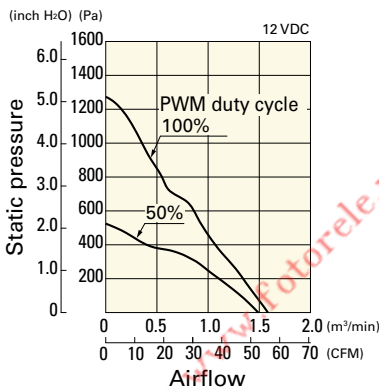
Model no.	Rated voltage [V]	Operating voltage range [V]	PWM duty cycle* [%]	Rated current [A]	Rated input [W]	Rated speed [min ⁻¹]	Max. airflow [m ³ /min] [CFM]	Max. static pressure [Pa] [inchH ₂ O]	SPL [dB (A)]	Operating temperature [°C]	Expected life [h]
9BFB12P2H003**	12	10.8 to 13.2	100	2.3	27.6	3750	1.6 56.5	1250 5.02	62	-20 to +70	40000/60°C (70000/40°C)
9BFB24P2H003	24	21.6 to 26.4	100	1.1	26.4	3750	1.6 56.5	1250 5.02	62		
			0	0.12	2.88	1300	0.46 16.2	43 0.17	41		

* PWM frequency: 25 kHz ** Fan does not rotate when PWM duty cycle is 0%.

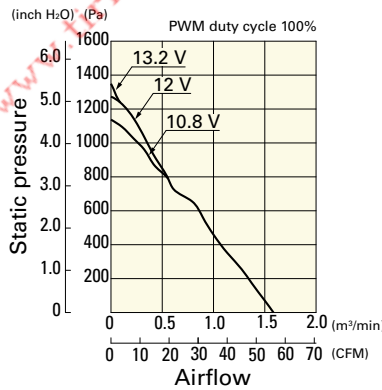
Airflow - Static Pressure Characteristics / PWM Duty - Speed Characteristics Example

9BFB12P2H003 With pulse sensor with PWM control function

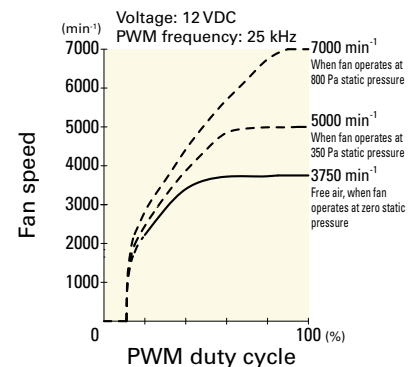
PWM duty cycle



Operating voltage range

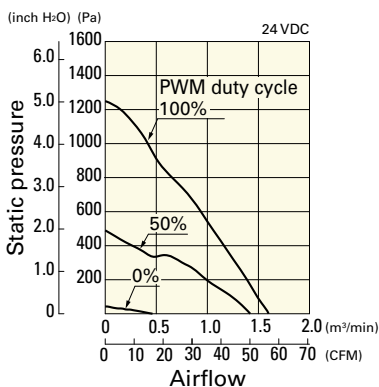


PWM duty - Speed characteristics example

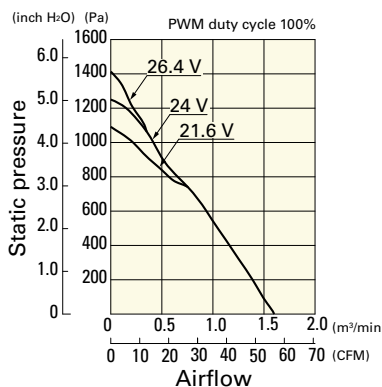


9BFB24P2H003 With pulse sensor with PWM control function

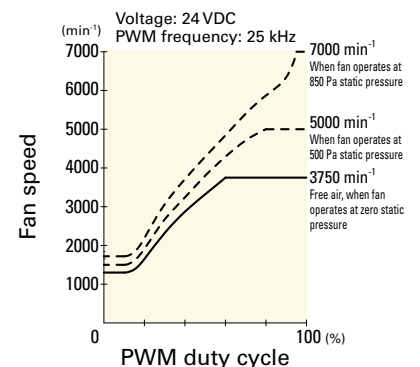
PWM duty cycle



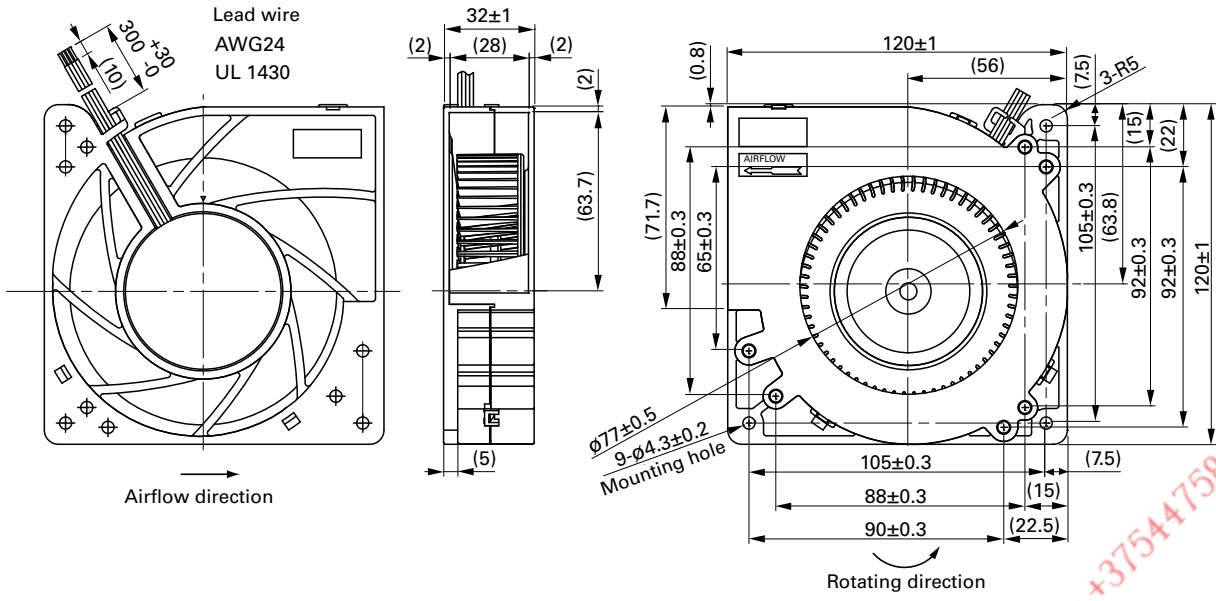
Operating voltage range



PWM duty - Speed characteristics example



■ Dimensions (unit: mm)



г. Минск www.fotorele.net www.tiristor.by email minsk17@tut.by тел. +375447584780

127×32 mm

San Ace B127 9BJ type   



General Specifications

- Material Frame: Plastic (Flammability: UL 94V-0), Impeller: Plastic (Flammability: UL 94V-1)
- Expected life See the table below. (L10 life: 90% survival rate for continuous operation in free air at 60°C, rated voltage)
- Motor protection function Locked rotor burnout protection, Reverse polarity protection
For details, please refer to p. 529.
- Dielectric strength 50/60 Hz, 500 VAC, for 1 minute (between lead wire conductors and frame)
- Insulation resistance 10 MΩ or more with a 500 VDC megger (between lead wire conductors and frame)
- Sound pressure level (SPL) At 1 m away from the air inlet
- Storage temperature -30 to +70°C (Non-condensing)
- Lead wire ⊕Red ⊖Black or Blue (Sensor) Yellow
- Mass 290 g

Specifications

The models listed below **have pulse sensors**.

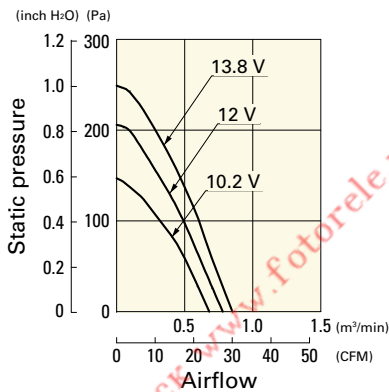
Model no.	Rated voltage [V]	Operating voltage range [V]	Rated current [A]	Rated input [W]	Rated speed [min ⁻¹]	Max. airflow [m ³ /min] [CFM]	Max. static pressure [Pa] [inchH ₂ O]	SPL [dB (A)]	Operating temperature [°C]	Expected life [h]
109BJ12HC2	12	10.2 to 13.8	0.52	6.24	2400	0.78 27.5	205.8 0.826	46	-20 to +70	40000/60°C
109BJ12MC2			0.29	3.48	1900	0.61 21.5	109.8 0.441	40		
109BJ24HC2	24	20.4 to 27.6	0.26	6.24	2400	0.78 27.5	205.8 0.826	46	-20 to +60	
109BJ24MC2			0.15	3.6	1900	0.61 21.5	109.8 0.441	40		

Other sensor specifications are available as options. Refer to the index (p. 542).

Airflow - Static Pressure Characteristics

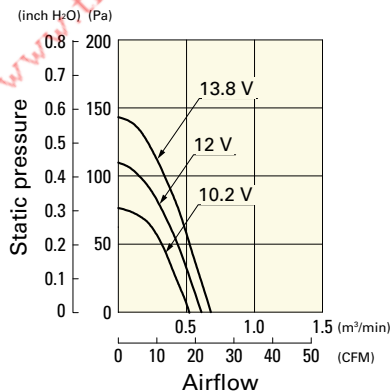
109BJ12HC2 With pulse sensor

Operating voltage range



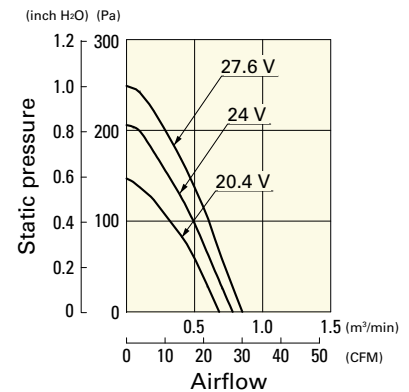
109BJ12MC2 With pulse sensor

Operating voltage range



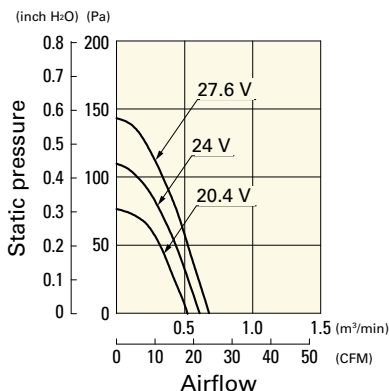
109BJ24HC2 With pulse sensor

Operating voltage range

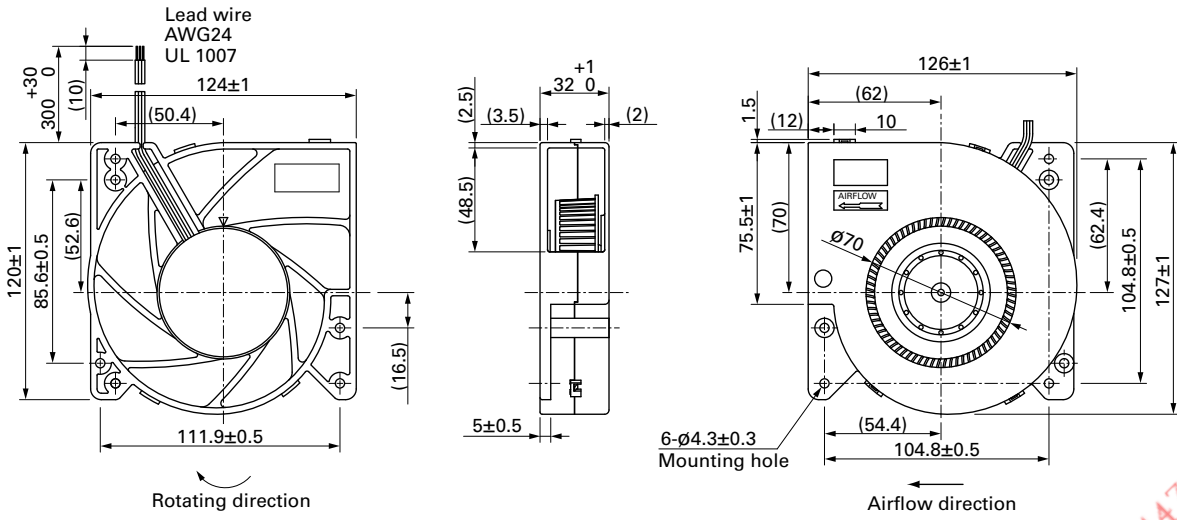


109BJ24MC2 With pulse sensor

Operating voltage range



Dimensions (unit: mm)



160×40 mm

San Ace B160 9BG type   



General Specifications

- Material Frame: Plastic (Flammability: UL 94V-0), Impeller: Plastic (Flammability: UL 94V-1)
- Expected life See the table below. (L10 life: 90% survival rate for continuous operation in free air at 60°C, rated voltage)
- Motor protection function Locked rotor burnout protection, Reverse polarity protection
For details, please refer to p. 529.
- Dielectric strength 50/60 Hz, 500 VAC, for 1 minute (between lead wire conductors and frame)
- Insulation resistance 10 MΩ or more with a 500 VDC megger (between lead wire conductors and frame)
- Sound pressure level (SPL) At 1 m away from the air inlet
- Storage temperature -30 to +70°C (Non-condensing)
- Lead wire ⊕Red ⊖Black or Blue (Sensor) Yellow
- Mass 580 g

Specifications

The models listed below **have pulse sensors**.

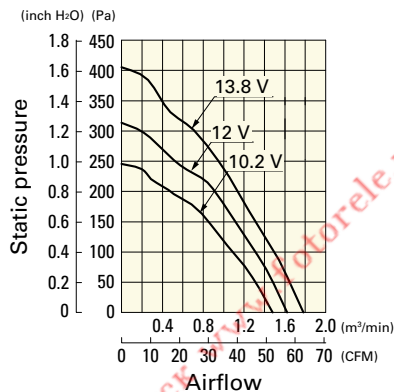
Model no.	Rated voltage [V]	Operating voltage range [V]	Rated current [A]	Rated input [W]	Rated speed [min ⁻¹]	Max. airflow [m ³ /min] [CFM]	Max. static pressure [Pa] [inchH ₂ O]	SPL [dB (A)]	Operating temperature [°C]	Expected life [h]
109BG12HC1	12	10.2 to 13.8	1.3	15.6	2300	1.62	57.2	313.6	1.259	55
109BG12MC1			0.64	7.68	1800	1.26	44.5	156.8	0.629	50
109BG24HC1	24	20.4 to 27.6	0.62	14.88	2300	1.62	57.2	313.6	1.259	55
109BG24MC1			0.31	7.44	1800	1.26	44.5	156.8	0.629	50

Other sensor specifications are available as options. Refer to the index (p. 542).

Airflow - Static Pressure Characteristics

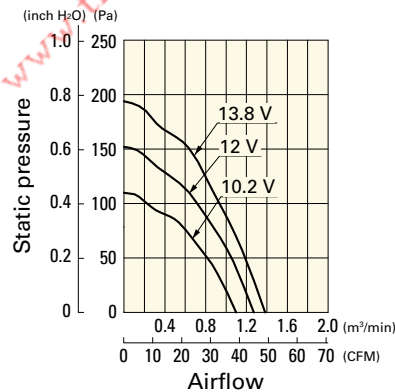
109BG12HC1 With pulse sensor

Operating voltage range



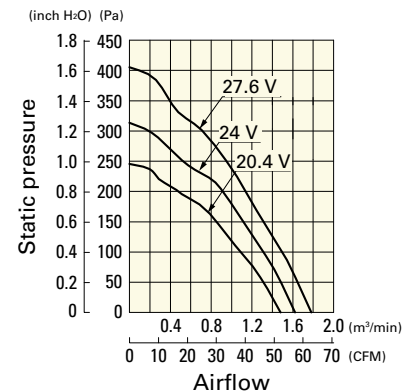
109BG12MC1 With pulse sensor

Operating voltage range



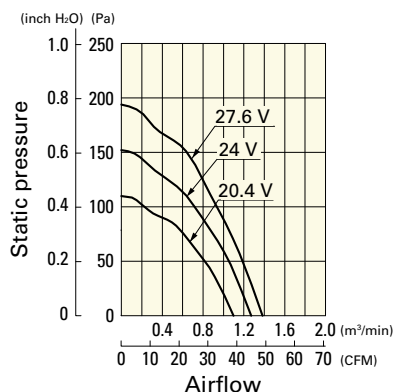
109BG24HC1 With pulse sensor

Operating voltage range

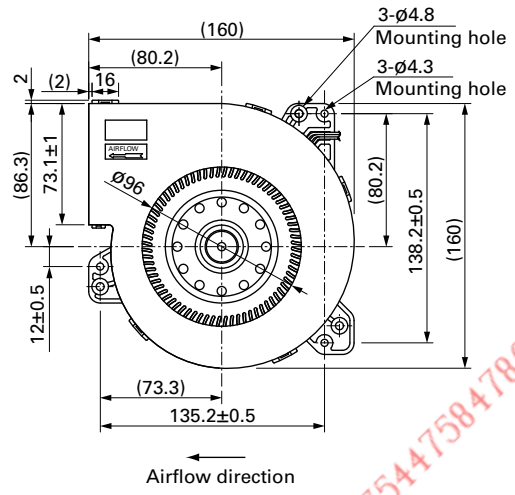
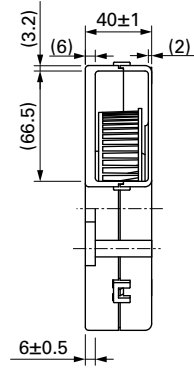
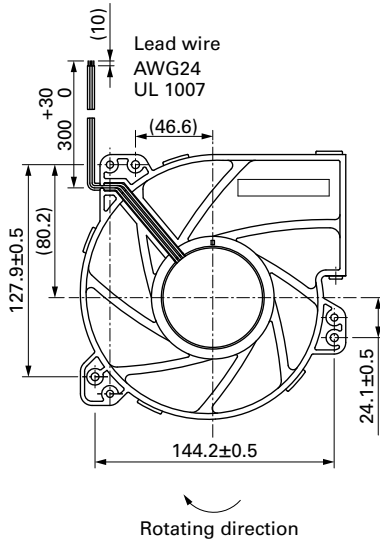


109BG24MC1 With pulse sensor

Operating voltage range



■ Dimensions (unit: mm)



г. Минск www.fotorele.net www.tiristor.by email minsk17@tut.by тел. +375447584780

ACDC Fan

This fan works while internally converting AC power into DC power, providing the superior performance of a DC fan with the flexibility of AC input.

Low power consumption

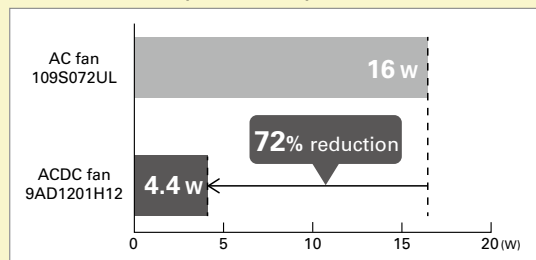
Long life

Wide voltage range

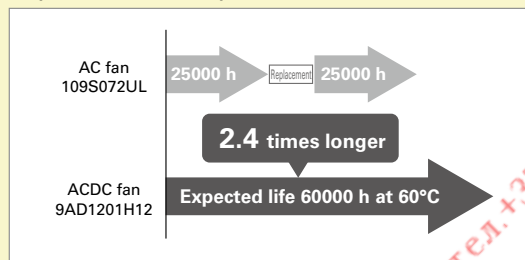
(Compared with our existing AC fan with equal size.)

With AC input, the same level of energy saving and long life as a DC fan can be achieved. The maintenance effort can be reduced too.

Power consumption comparison



Expected life comparison



Model Numbering System Not every combination of the following codes or characters is available. Contact us for an available combination.

9AD	09	01	H	1	2	
Type name	Frame size	Voltage	Speed code	Frame thickness	Sensor specifications	Frame form
Type name	9AD					
Frame size (mm)	09 12	92×92 120×120				
Voltage (V)	01	100 to 240				
Speed code	H M etc.					
Frame thickness (mm)	1 38					
Sensor specifications	2 Without a sensor		H With a low-speed sensor			
Frame form	Nil Plastic frame: Ribbed frame			1 Plastic frame: Ribless frame		

How to Read Specifications (ACDC fan)

Model no.	Rated voltage [V]	Operating voltage range [V]	Frequency [Hz]	Rated current [A]	Rated input [W]	Rated speed [min ⁻¹]	Max. airflow [m ³ /min] [CFM]	Max. static pressure [Pa] [inchH ₂ O]	SPL [dB (A)]	Operating temperature [°C]	Expected life [h]
9AD0901H12	100 to 240	90 to 264	50/60	0.08	4.5	3850	1.5 53.0	90 0.36	40	-20 to +75	60000/60°C
9AD0901M12				0.06	3.0	3100	1.18 41.7	56 0.22	33		

- Rated voltage This is the necessary voltage to drive the fan. Single-phase 100 to 240 VAC are also available.
- Operating voltage range The voltage range over which fan operation is guaranteed.
- Frequency This is a frequency of alternating current (AC). The frequencies of 50 Hz and 60 Hz are existing in Japan.
- Rated current The current when the fan is operating at rated voltage (at free air).
- Rated input The power value when the fan is operating at rated voltage (at free air).
- Rated speed The speed when the fan is operating at rated voltage (at free air).
- Max. airflow The maximum airflow that the fan can generate during rated operation (measured with our double chamber measuring device).
Airflow is the volume of air generated by the fan per unit of time.
- Max. static pressure The maximum static pressure value that the fan can produce during rated operation (measured with our double chamber measuring device).
Static pressure indicates a fan's ability to move air against resistance due to the internal structure of the device to which the fan is installed.
- SPL SPL stands for Sound Pressure Level. The noise level during the fan's rated operation.
Please refer to the technical material section for the measurement method.
- Operating temperature The temperature range over which fan operation is guaranteed (Non- condensing).
- Expected life Service life hours that 90% of bearings will survive without failing when continuously operated at the rated voltage and 60°C temperature. For more information, please refer to the technical material section.



92×92×38 mm

San Ace 92AD 9AD type

General Specifications

- Material Frame: Plastic (Flammability: UL 94V-0), Impeller: Plastic (Flammability: UL 94V-0)
 - Expected life See the table below. (L10 life: 90% survival rate for continuous operation in free air at 60°C, rated voltage)
 - Motor structure Brushless DC motor
 - Motor protection function Locked rotor burnout protection, Reverse polarity protection
For details, please refer to p. 529.
 - Dielectric strength 50/60 Hz, 1500 VAC, for 1 minute (between input terminal and frame, and between sensor output and frame)
 - Insulation resistance..... 10 MΩ or more with a 500 VDC megger
 - Sound pressure level (SPL) At 1 m away from the air inlet
 - Storage temperature -30 to +75°C (Non-condensing)
 - Mass 250 g
- Do not solder wires directly to AC input terminals.

Specifications

The models listed below **have ribs and no sensors**. For models without ribs, append "1" to the end of model numbers.

Model no.	Rated voltage [V]	Operating voltage range [V]	Frequency [Hz]	Rated current [A]	Rated input [W]	Rated speed [min ⁻¹]	Max. airflow [m ³ /min] [CFM]	Max. static pressure [Pa] [inchH ₂ O]	SPL [dB (A)]	Operating temperature [°C]	Expected life [h]
9AD0901H12	100 to 240	90 to 264	50/60	0.08	4.5	3850	1.5 53.0	90 0.36	40	-20 to +75	60000/60°C
9AD0901M12				0.06	3.0	3100	1.18 41.7	56 0.22	33		

The models listed below **have ribs and low-speed sensors**. For models without ribs, append "1" to the end of model numbers.

Model no.	Rated voltage [V]	Operating voltage range [V]	Frequency [Hz]	Rated current [A]	Rated input [W]	Rated speed [min ⁻¹]	Max. airflow [m ³ /min] [CFM]	Max. static pressure [Pa] [inchH ₂ O]	SPL [dB (A)]	Operating temperature [°C]	Expected life [h]
9AD0901H1H	100 to 240	90 to 264	50/60	0.08	4.5	3850	1.5 53.0	90 0.36	40	-20 to +75	60000/60°C
9AD0901M1H				0.06	3.0	3100	1.18 41.7	56 0.22	33		

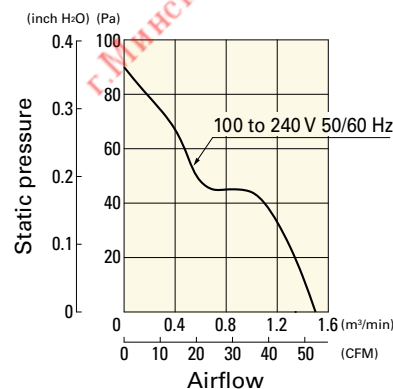
Set Models

Fan, finger guard, plug cord, screws, etc. can be purchased in one package. For details, please refer to p. 574.

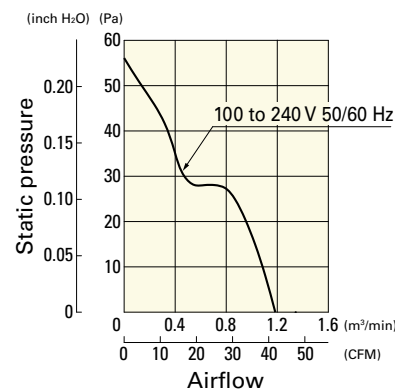
Order no.	Set items					
	Fan	Voltage	Low-speed sensor	Plug cord	Finger guards	Mounting screws
ST1-9AD0901H12	9AD0901H12	100 to 240 V		489-1635-L10	109-099E	M4×55 mm (4 screws)
ST1-9AD0901M12	9AD0901M12			489-1635-L10	109-099E	
ST1-9AD0901H1H	9AD0901H1H			489-1635-L10	109-099E	
ST1-9AD0901M1H	9AD0901M1H			489-1635-L10	109-099E	

Airflow - Static Pressure Characteristics

9AD0901H12, 9AD0901H1H

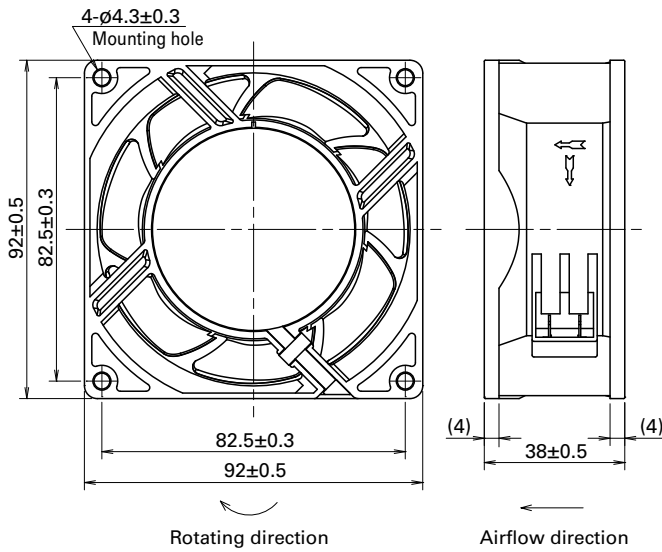


9AD0901M12, 9AD0901M1H

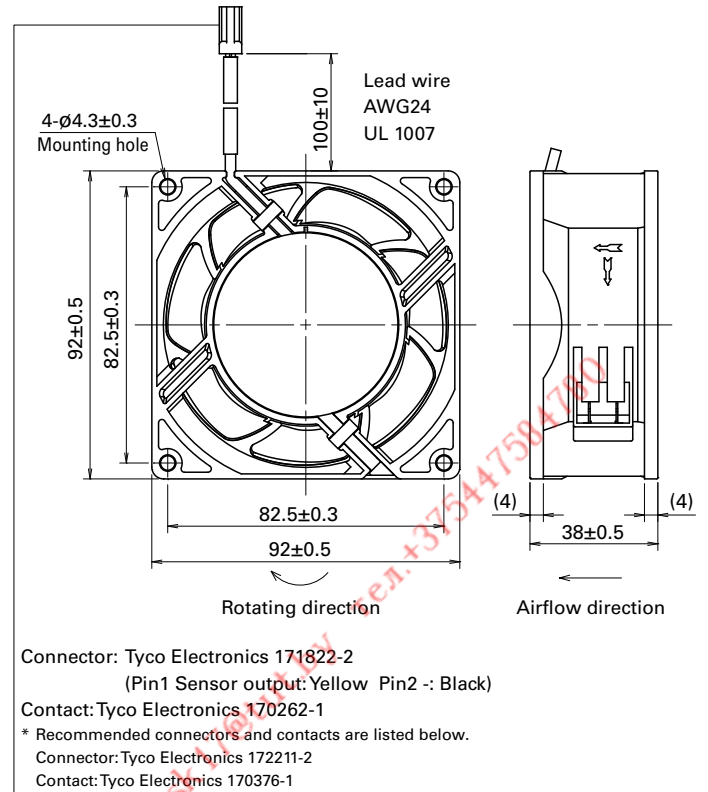


Dimensions (unit: mm) (With ribs)

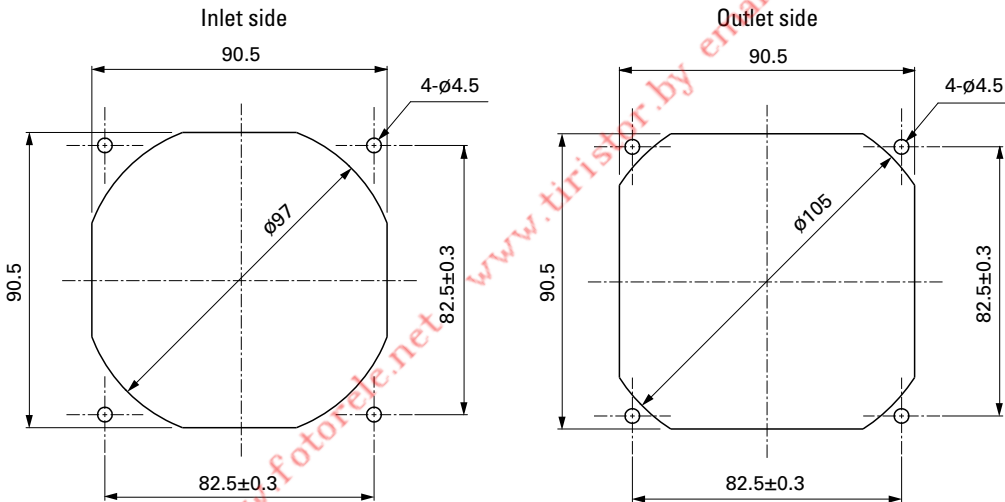
without Sensor



with Low-speed sensor

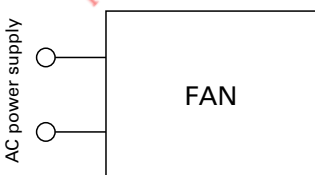


Reference Dimensions of Mounting Holes and Vent Opening (unit: mm)

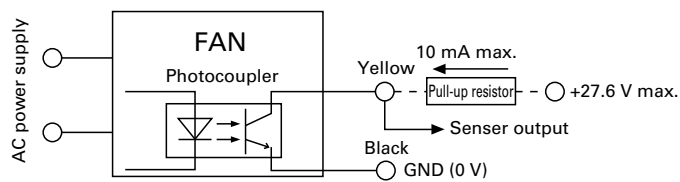


Wiring Diagram

without Sensor



with Low-speed sensor

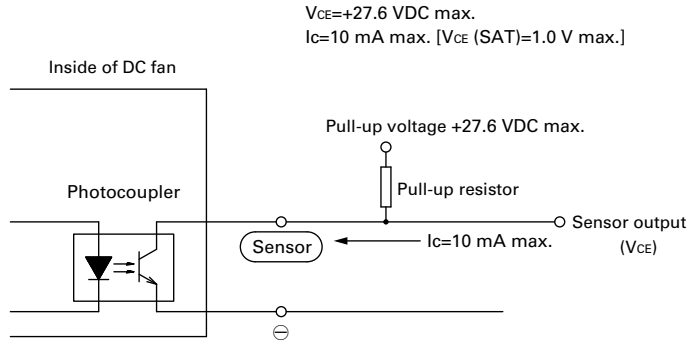


ACDC Fan 92 mm sq. AC

Specifications for Low-speed Sensors

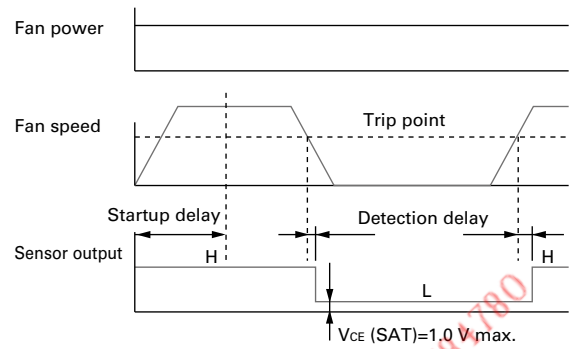
Typical standard model: 9AD0901H1H

Output circuit: Open collector

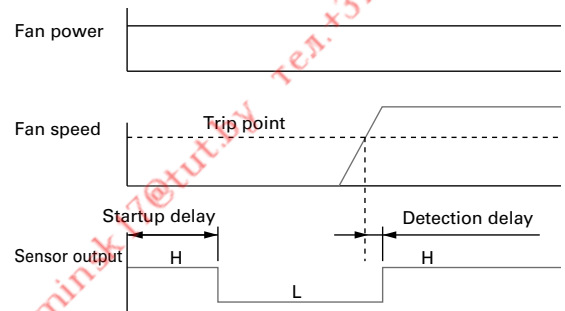


Sensor scheme

Example 1: when steady running



Example 2: when the rotor is locked when the fan motor is turned on and released after the start-up delay time.



9AD0901H1H

Startup delay: $18 \pm 3 \text{ s}$

Detection delay: 3 s max.

Trip point: 1700 min^{-1}

9AD0901M1H

Startup delay: $36 \pm 3 \text{ s}$

Detection delay: 3 s max.

Trip point: 850 min^{-1}

Options

Finger guards

page: p. 513

Model no.: 109-099C, 109-099E, 109-099H

Resin filter kits

page: p. 521

Model no.: 109-1001F13 (13PPI), 109-1001F20 (20PPI),
109-1001F30 (30PPI), 109-1001F40 (40PPI)

Wiring harness for sensor

page: p. 524

Model no.: 489-1636

Resin finger guards

page: p. 520

Model no.: 109-1001G

Plug cord

page: p. 524

Model no.: 489-1635-L10, 489-1635-L21



120×120×38 mm

San Ace 120AD 9AD type

General Specifications

- Material Frame: Plastic (Flammability: UL 94V-0), Impeller: Plastic (Flammability: UL 94V-1)
- Expected life See the table below. (L10 life: 90% survival rate for continuous operation in free air at 60°C, rated voltage)
- Motor structure Brushless DC motor
- Motor protection function Locked rotor burnout protection, Reverse polarity protection
For details, please refer to p. 529.
- Dielectric strength 50/60 Hz, 1500 VAC, for 1 minute (between input terminal and frame, and between sensor output and frame)
- Insulation resistance..... 10 MΩ or more with a 500 VDC megger
- Sound pressure level (SPL) At 1 m away from the air inlet
- Storage temperature -30 to +75°C (Non-condensing)
- Mass 290 g

Do not solder wires directly to AC input terminals.

Specifications

The models listed below **have ribs and no sensors**. For models without ribs, append "1" to the end of model numbers.

Model no.	Rated voltage [V]	Operating voltage range [V]	Frequency [Hz]	Rated current [A]	Rated input [W]	Rated speed [min ⁻¹]	Max. airflow [m ³ /min] [CFM]	Max. static pressure [Pa] [inchH ₂ O]	SPL [dB (A)]	Operating temperature [°C]	Expected life [h]
9AD1201H12	100 to 240	90 to 264	50/60	0.08	4.4	3250	3.0 106	84 0.34	42	-20 to +75	60000/60°C

The models listed below **have ribs and low-speed sensors**. For models without ribs, append "1" to the end of model numbers.

Model no.	Rated voltage [V]	Operating voltage range [V]	Frequency [Hz]	Rated current [A]	Rated input [W]	Rated speed [min ⁻¹]	Max. airflow [m ³ /min] [CFM]	Max. static pressure [Pa] [inchH ₂ O]	SPL [dB (A)]	Operating temperature [°C]	Expected life [h]
9AD1201H1H	100 to 240	90 to 264	50/60	0.08	4.4	3250	3.0 106	84 0.34	42	-20 to +75	60000/60°C

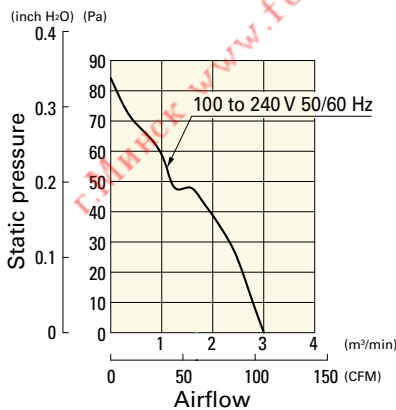
Set Models

Fan, finger guard, plug cord, screws, etc. can be purchased in one package. For details, please refer to p. 574.

Order no.	Set items					
	Fan	Voltage	Low-speed sensor	Plug cord	Finger guards	Mounting screws
ST1-9AD1201H12	9AD1201H12	100 to		489-1635-L10	109-019E	M4×55 mm (4 screws)
ST1-9AD1201H1H	9AD1201H1H	240 V	○	489-1635-L10	109-019E	

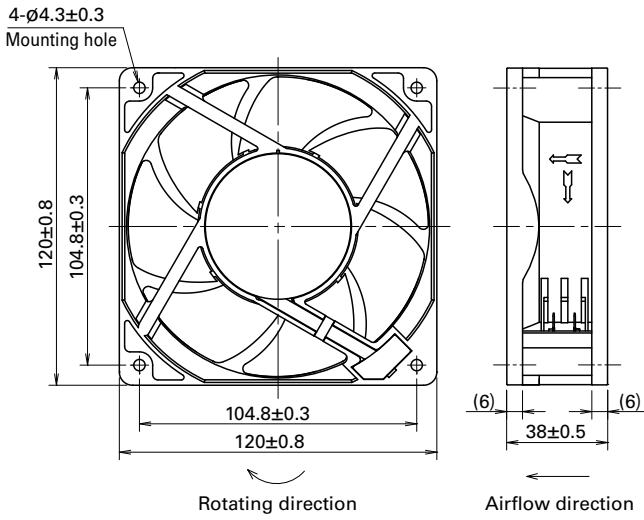
Airflow - Static Pressure Characteristics

9AD1201H12, 9AD1201H1H

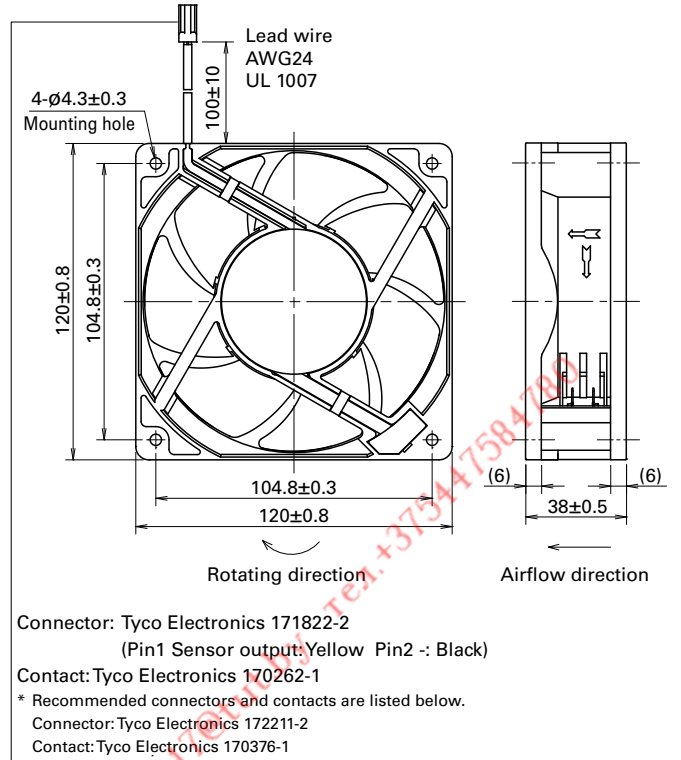


Dimensions (unit: mm) (With ribs)

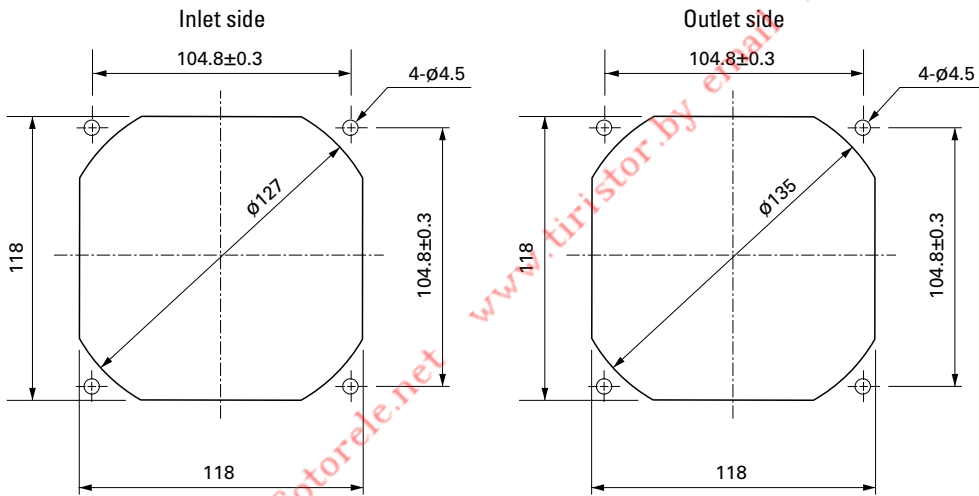
without Sensor



with Low-speed sensor

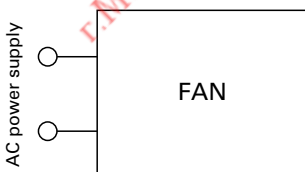


Reference Dimensions of Mounting Holes and Vent Opening (unit: mm)

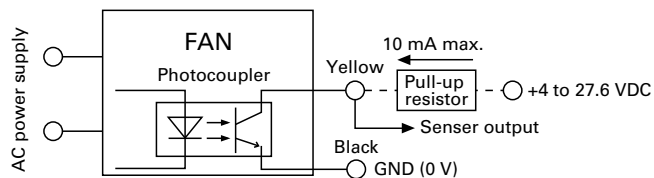


Wiring Diagram

without Sensor



with Low-speed sensor

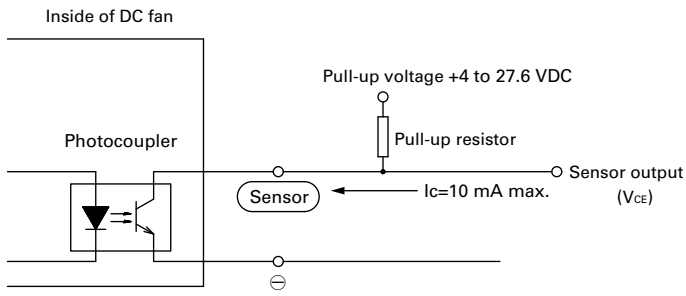


Specifications for Low-speed Sensors

Model No.: 9AD1201H1H

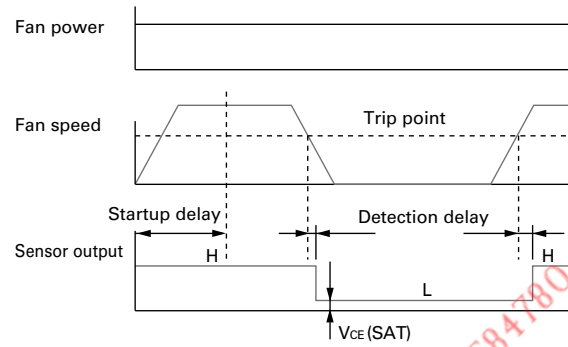
Output circuit: Open collector

$V_{CE} = +27.6$ VDC max.
 $I_C = 10$ mA max. [$V_{CE(SAT)} = 1.0$ V max.]

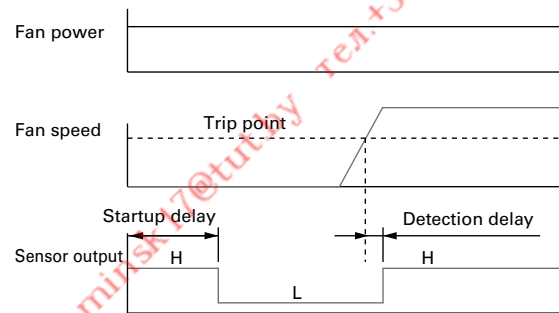


Sensor scheme

Example 1: when steady running



Example 2: when the rotor is locked when the fan motor is turned on and released after the start-up delay time.



Startup delay: 18 ± 3 s
 Detection delay: 3 s max.
 Trip point: 1700 min^{-1}

Options

Finger guards page: p. 514

Model no.: 109-019C, 109-019H, 109-019E, 109-019K

Resin filter kits page: p. 521

Model no.: 109-1000F13 (13PPI), 109-1000F20 (20PPI),
 109-1000F30 (30PPI), 109-1000F40 (40PPI)

Wiring harness for sensor page: p. 524

Model no.: 489-1636

Resin finger guards page: p. 520

Model no.: 109-1000G

Plug cord page: p. 524

Model no.: 489-1635-L10, 489-1635-L21

AC

ACDC Fan 120 mm sq.

г. Минск www.fotorele.net www.tiristor.by email minsk17@tut.by тел. +375447584780

AC Fan

The cooling fan operates at 100 to 230 VAC.

■ How to Read Specifications (AC fan)

Model no.	Rated voltage [V]	Frequency [Hz]	Input [W]	Current [A]	Locked rotor current [A]	Rated speed [min ⁻¹]	Max. airflow [m ³ /min] [CFM]	Max. static pressure [Pa] [inchH ₂ O]	SPL [dB (A)]	Operating temperature [°C]	Expected life [h]
109-180	100	50/60	5/4	0.06/0.05	0.07/0.06	2250/2700	0.27/0.33 9.5/11.7	11.8/18.6 0.047/0.075	24/26	-30 to +70	25000/60°C
109-183	115				0.06/0.05						

- Rated voltage This is the necessary voltage to drive the fan. Single-phase 100, 115, 200 and 230 VAC are also available.
- Frequency This is a frequency of alternating current (AC). The frequencies of 50 Hz and 60 Hz are existing in Japan.
Performance of AC fan varies depending on the frequency. Example: Rated speed 2250/2700 = 50 Hz → 2250, 60 Hz → 2700
- Input The power value when the fan is operating at rated voltage (at free air).
- Current The current when the fan is operating at rated voltage (at free air).
- Locked rotor current This is a current when rotor of motor that applies rated voltage is locked.
- Rated speed The speed when the fan is operating at rated voltage (at free air).
- Max. airflow The maximum airflow that the fan can generate during rated operation (measured with our double chamber measuring device).
Airflow is the volume of air generated by the fan per unit of time.
- Max. static pressure The maximum static pressure value that the fan can produce during rated operation (measured with our double chamber measuring device).
Static pressure indicates a fan's ability to move air against resistance due to the internal structure of the device to which the fan is installed.
- SPL SPL stands for Sound Pressure Level. The noise level during the fan's rated operation.
Please refer to the technical material section for the measurement method.
- Operating temperature The temperature range over which fan operation is guaranteed (Non- condensing).
- Expected life Service life hours that 90% of bearings will survive without failing when continuously operated at the rated voltage and 60°C temperature. For more information, please refer to the technical material section.

г. Минск www.fotorele.net www.tiristor.by email min@fotorele.net Tel: +375447394780

60×60×28 mm

San Ace 60 

General Specifications

- Material Frame: Aluminum, Impeller: Plastic (Flammability: UL 94V-1)
- Expected life See the table below. (L10 life: 90% survival rate for continuous operation in free air at 60°C, rated voltage)
- Motor structure Shaded coil motor
- Motor protection function Locked rotor burnout protection, Reverse polarity protection
For details, please refer to p. 529.
- Dielectric strength 50/60 Hz, 1500 VAC, for 1 minute (between lead wire conductors and frame)
- Insulation resistance 10 MΩ or more with a 500 VDC megger
- Sound pressure level (SPL) At 1 m away from the air inlet
- Operating voltage range Voltage of each model ±10%
- Storage temperature -30 to +70°C (Non-condensing)
- Lead wire Black, 2 pcs
- Mass 120 g

Specifications

Model no.	Rated voltage [V]	Frequency [Hz]	Input [W]	Current [A]	Locked rotor current [A]	Rated speed [min ⁻¹]	Max. airflow [m ³ /min] [CFM]	Max. static pressure [Pa] [inchH ₂ O]	SPL [dB (A)]	Operating temperature [°C]	Expected life [h]
109-180	100	50/60	5/4	0.06/0.05	0.07/0.06	2250/2700	0.27/0.33 9.5/11.7	11.8/18.6 0.047/0.075	24/26	-30 to +70	25000/60°C
109-183	115				0.06/0.05						

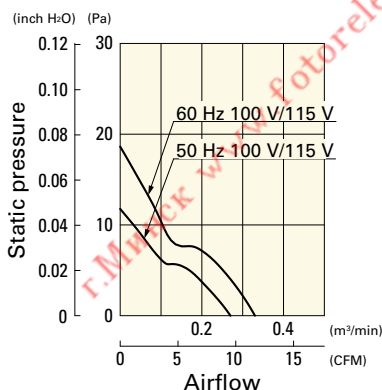
Set Models

Fan, finger guard, plug cord, screws, etc. can be purchased in one package. For details, please refer to p. 574.

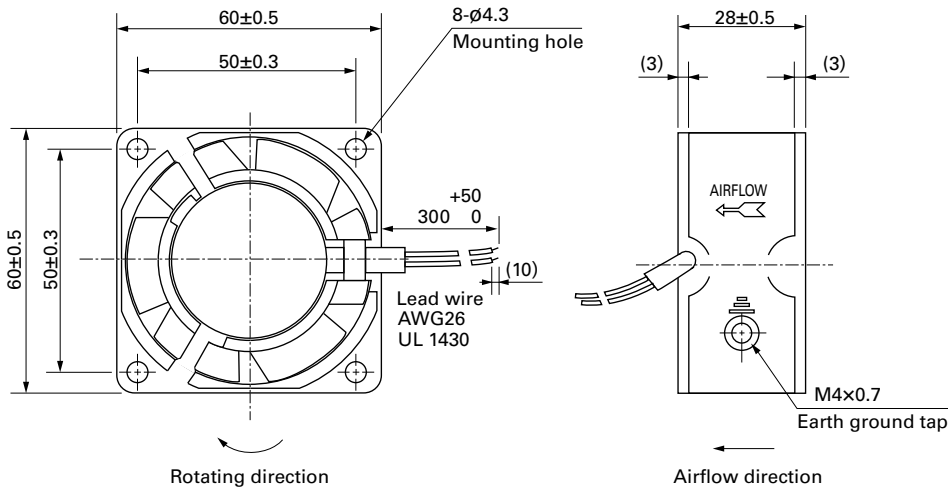
Order no.	Set items					
	Fan	Voltage	Low-speed sensor	Plug cord	Finger guards	Mounting screws
ST1-109-180	109-180	100 V		Plug cord is not included because of the exposed-lead structure.	109-139E	M4×40 mm (4 screws)
ST1-109-183	109-183	115 V			109-139E	

Airflow - Static Pressure Characteristics

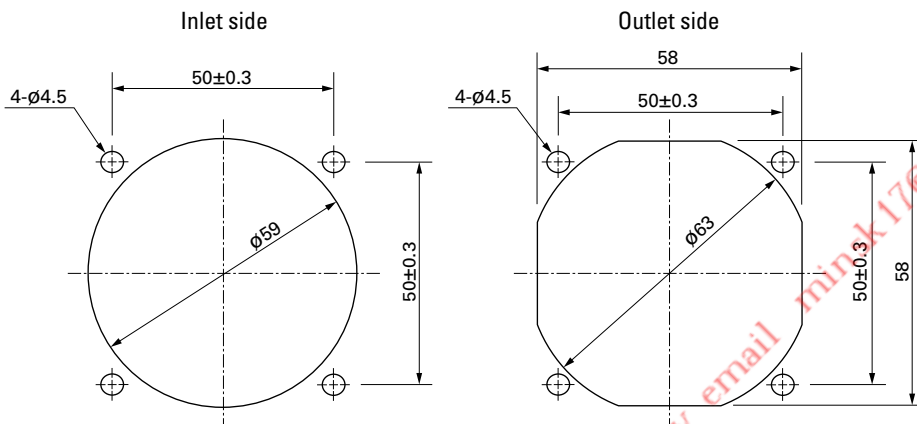
109-180, 109-183



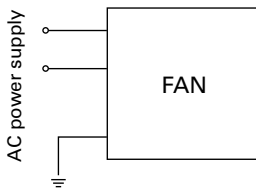
Dimensions (unit: mm)



Reference Dimensions of Mounting Holes and Vent Opening (unit: mm)



Wiring Diagram



Options

Finger guards

page: p. 513

Model no.: 109-139E, 109-139H

Resin finger guards

page: p. 520

Model no.: 109-1003G

Resin filter kits

page: p. 521

Model no.: 109-1003F13 (13PPI), 109-1003F20 (20PPI),
109-1003F30 (30PPI), 109-1003F40 (40PPI)

AC

AC Fan 60 mm sq.



60×60×38 mm

San Ace 60

General Specifications

- Material Frame: Aluminum, Impeller: Plastic (Flammability: UL 94V-1)
- Expected life See the table below. (L10 life: 90% survival rate for continuous operation in free air at 60°C, rated voltage)
- Motor structure Shaded coil motor
- Motor protection function Locked rotor burnout protection, Reverse polarity protection
For details, please refer to p. 529.
- Dielectric strength 50/60 Hz, 1500 VAC, for 1 minute (between lead wire conductors and frame)
- Insulation resistance 10 MΩ or more with a 500 VDC megger
- Sound pressure level (SPL) At 1 m away from the air inlet
- Operating voltage range Voltage of each model ±10%
- Storage temperature -30 to +70°C (Non-condensing)
- Lead wire Black, 2 pcs
- Mass 170 g

Specifications

Model no.	Rated voltage [V]	Frequency [Hz]	Input [W]	Current [A]	Locked rotor current [A]	Rated speed [min ⁻¹]	Max. airflow [m ³ /min] [CFM]	Max. static pressure [Pa] [inchH ₂ O]	SPL [dB (A)]	Operating temperature [°C]	Expected life [h]
109-130	100	50/60	6/5	0.08/0.07	0.08/0.07	2600/3150	0.33/0.4 11.7/14.1	16.3/23.3 0.065/0.094	28/30	-30 to +60	25000/60°C
109-133	115			0.07/0.06	0.07/0.06						

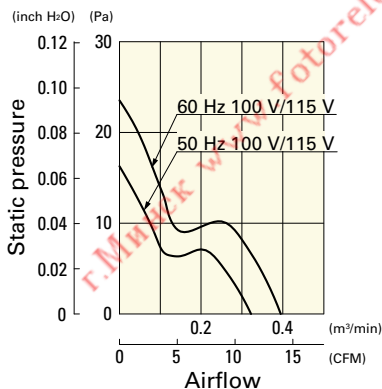
Set Models

Fan, finger guard, plug cord, screws, etc. can be purchased in one package. For details, please refer to p. 574.

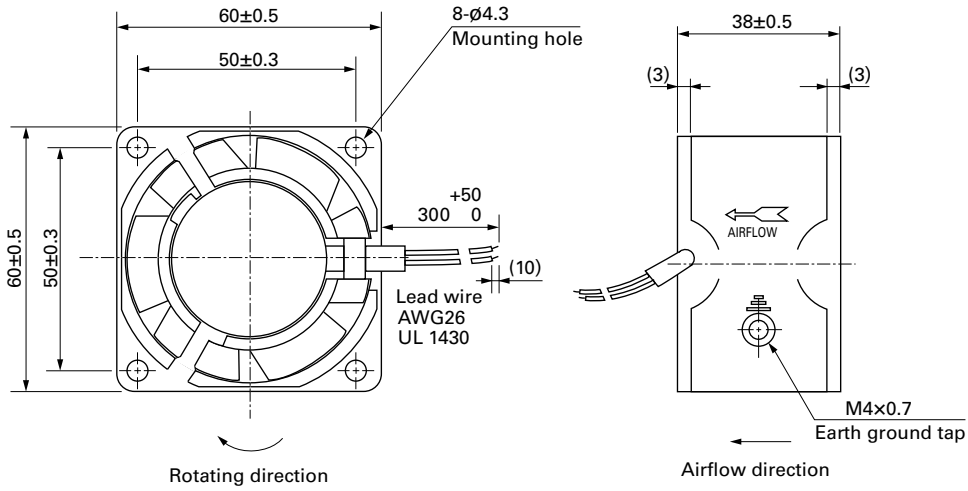
Order no.	Set items					
	Fan	Voltage	Low-speed sensor	Plug cord	Finger guards	Mounting screws
ST1-109-130	109-130	100 V		Plug cord is not included because of the exposed-lead structure.	109-139E	M4×55 mm (4 screws)
ST1-109-133	109-133	115 V			109-139E	

Airflow - Static Pressure Characteristics

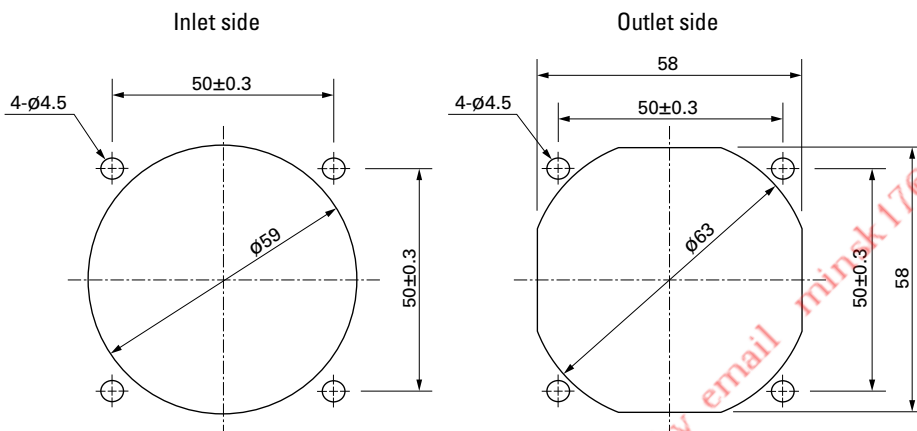
109-130, 109-133



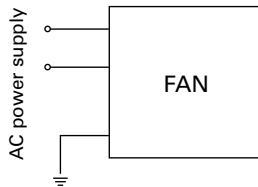
Dimensions (unit: mm)



Reference Dimensions of Mounting Holes and Vent Opening (unit: mm)



Wiring Diagram



Options

Finger guards

page: p. 513

Model no.: 109-139E, 109-139H

Resin finger guards

page: p. 520

Model no.: 109-1003G

Resin filter kits

page: p. 521

Model no.: 109-1003F13 (13PPI), 109-1003F20 (20PPI),
109-1003F30 (30PPI), 109-1003F40 (40PPI)

80×80×20 mm

San Ace 80    

General Specifications

- Material Frame: Aluminum, Impeller: Plastic (Flammability: UL 94V-1)
- Expected life See the table below. (L10 life: 90% survival rate for continuous operation in free air at 60°C, rated voltage)
- Motor structure Shaded coil motor
- Motor protection function Locked rotor burnout protection, Reverse polarity protection
For details, please refer to p. 529.
- Dielectric strength 50/60 Hz, 1500 VAC, for 1 minute (between lead wire conductors and frame)
- Insulation resistance 10 MΩ or more with a 500 VDC megger
- Sound pressure level (SPL) At 1 m away from the air inlet
- Operating voltage range Voltage of each model ±10%
- Storage temperature -30 to +70°C (Non-condensing)
- Lead wire Black, 2 pcs
- Mass 180 g

Specifications

Model no.	Rated voltage [V]	Frequency [Hz]	Input [W]	Current [A]	Locked rotor current [A]	Rated speed [min ⁻¹]	Max. airflow [m ³ /min] [CFM]	Max. static pressure [Pa] [inchH ₂ O]	SPL [dB (A)]	Operating temperature [°C]	Expected life [h]
109-210	100	50/60	6/5	0.07/0.06	0.07/0.06	2500/3000	0.44/0.53 15.5/18.7	23.5/31.4 0.094/0.126	26/31	-30 to +60	25000/60°C
109-213	115			0.06/0.05	0.06/0.05						

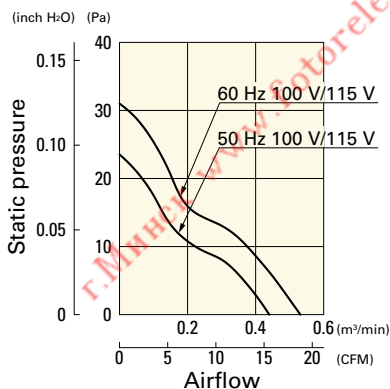
Set Models

Fan, finger guard, plug cord, screws, etc. can be purchased in one package. For details, please refer to p. 574.

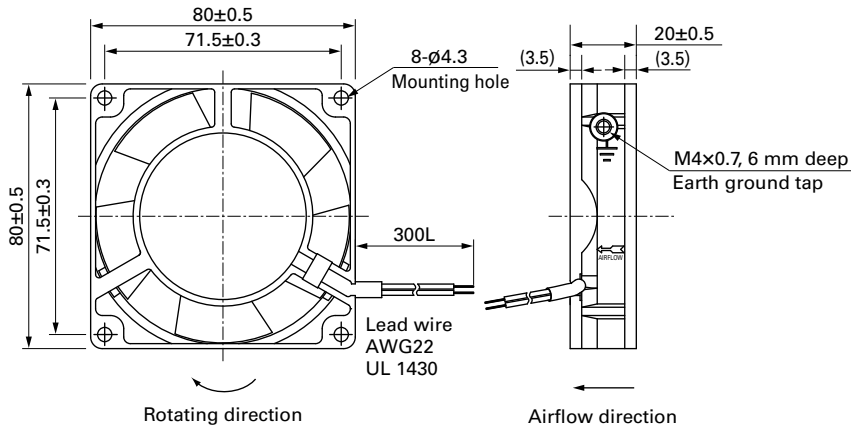
Order no.	Set items					
	Fan	Voltage	Low-speed sensor	Plug cord	Finger guards	Mounting screws
ST1-109-210	109-210	100 V		Plug cord is not included because of the exposed-lead structure.	109-049E	M4×40 mm (4 screws)
ST1-109-213	109-213	115 V			109-049E	

Airflow - Static Pressure Characteristics

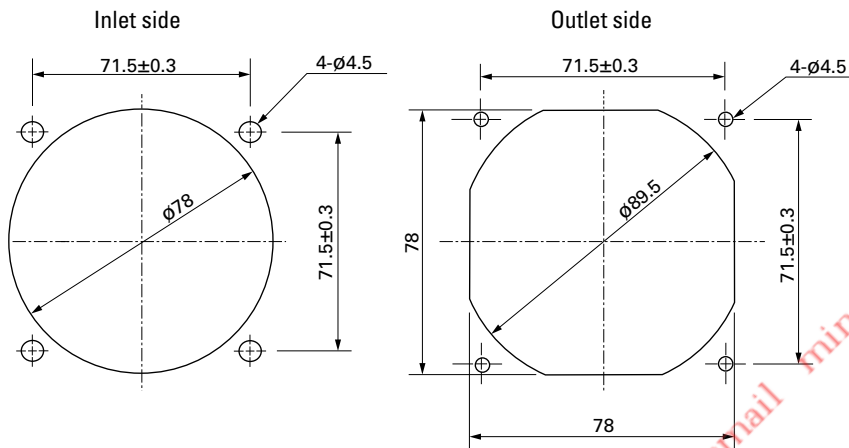
109-210, 109-213



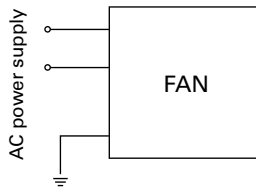
Dimensions (unit: mm)



Reference Dimensions of Mounting Holes and Vent Opening (unit: mm)



Wiring Diagram



Options

Finger guards

page: p. 513

Model no.: 109-049C, 109-049E, 109-049H

Resin finger guards

page: p. 520

Model no.: 109-1002G

Resin filter kits

page: p. 521

Model no.: 109-1002F13 (13PPI), 109-1002F20 (20PPI),
109-1002F30 (30PPI), 109-1002F40 (40PPI)



80×80×25 mm

San Ace 80

General Specifications

- Material Frame: Aluminum, Impeller: Plastic (Flammability: UL 94V-1)
- Expected life See the table below. (L10 life: 90% survival rate for continuous operation in free air at 60°C, rated voltage)
- Motor structure Shaded coil motor
- Motor protection function Locked rotor burnout protection, Reverse polarity protection
For details, please refer to p. 529.
- Dielectric strength 50/60 Hz, 1500 VAC, for 1 minute (between input terminal and frame)
- Insulation resistance 10 MΩ or more with a 500 VDC megger
- Sound pressure level (SPL) At 1 m away from the air inlet
- Operating voltage range Voltage of each model ±10%
- Storage temperature -30 to +70°C (Non-condensing)
- Mass 270 g

Specifications

Model no.	Rated voltage [V]	Frequency [Hz]	Input [W]	Current [A]	Locked rotor current [A]	Rated speed [min ⁻¹]	Max. airflow [m ³ /min]	Max. static pressure [Pa]	SPL [dB (A)]	Operating temperature [°C]	Expected life [h]
109S050	100	50/60	9/7	0.12/0.1	0.13/0.11	2650/3100	0.63/0.76 22.3/26.9	27.5/38.3 0.11 /0.154	30/33	-30 to +60	25000/60°C
109S053	115			0.1 /0.08	0.11/0.09						
109S051	200			0.06/0.05	0.06/0.05						
109S054	230			0.05/0.04	0.05/0.04						
109S030	100			0.12/0.1	0.13/0.11	2350/2700	0.55/0.63 19.4/22.3	21.6/28.4 0.087/0.114	28/30		
109S033	115			0.1 /0.08	0.11/0.09						
109S031	200			0.06/0.05	0.06/0.05						
109S034	230			0.05/0.04	0.05/0.04						

Set Models

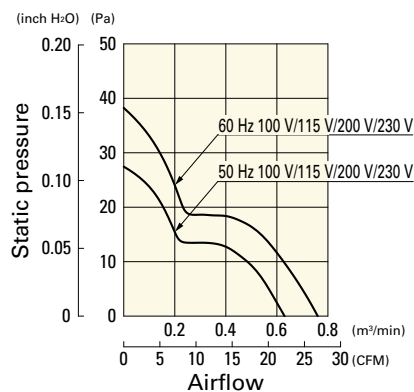
Fan, finger guard, plug cord, screws, etc. can be purchased in one package. For details, please refer to p. 574.

Order no.	Set items					
	Fan	Voltage	Low-speed sensor	Plug cord	Finger guards	Mounting screws
ST1-109S050	109S050	100 V		489-016-L10	109-049E	M4×40 mm (4 screws)*
ST1-109S053	109S053	115 V		489-016-L10	109-049E	
ST1-109S051	109S051	200 V		489-016-L10	109-049E	
ST1-109S054	109S054	230 V		489-016-L10	109-049E	
ST1-109S030	109S030	100 V		489-016-L10	109-049E	
ST1-109S033	109S033	115 V		489-016-L10	109-049E	
ST1-109S031	109S031	200 V		489-016-L10	109-049E	
ST1-109S034	109S034	230 V		489-016-L10	109-049E	

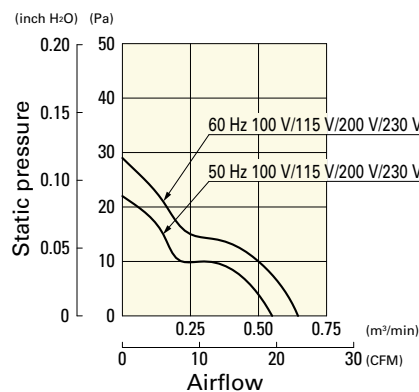
* Though these are 2-hole or 3-hole frame mount types, 4 screws are included for extra.

Airflow - Static Pressure Characteristics

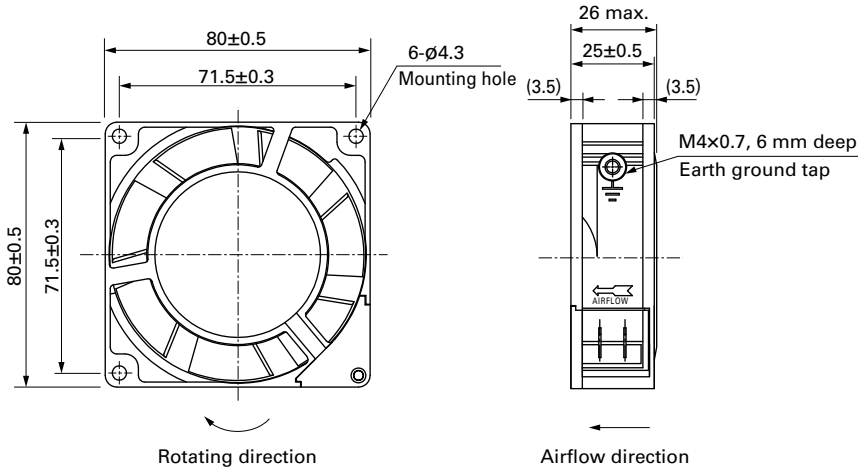
109S050, 109S053, 109S051, 109S054



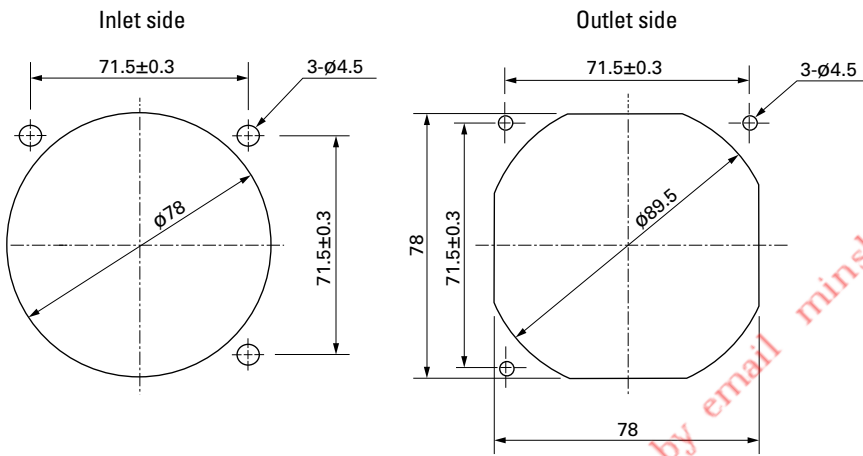
109S030, 109S033, 109S031, 109S034



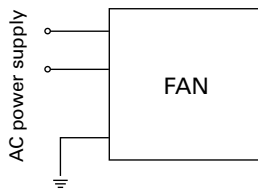
Dimensions (unit: mm)



Reference Dimensions of Mounting Holes and Vent Opening (unit: mm)



Wiring Diagram



Options

Finger guards

page: p. 513

Model no.: 109-049C, 109-049E, 109-049H

Resin finger guards

page: p. 520

Model no.: 109-1002G

Resin filter kits

page: p. 521

Model no.: 109-1002F13 (13PPI), 109-1002F20 (20PPI),
109-1002F30 (30PPI), 109-1002F40 (40PPI)

Plug cord

page: pp. 523 to 524

Model no.: 489-016-L10, 489-016-L21, 489-047-L10,
489-047-L21



80×80×38 mm

San Ace 80

General Specifications

- Material Frame: Aluminum, Impeller: Plastic (Flammability: UL 94V-1)
- Expected life See the table below. (L10 life: 90% survival rate for continuous operation in free air at 60°C, rated voltage)
- Motor structure Shaded coil motor
- Motor protection function Locked rotor burnout protection, Reverse polarity protection
For details, please refer to p. 529.
- Dielectric strength 50/60 Hz, 1500 VAC, for 1 minute (between input terminal and frame)
- Insulation resistance 10 MΩ or more with a 500 VDC megger
- Sound pressure level (SPL) At 1 m away from the air inlet
- Operating voltage range Voltage of each model ±10%
- Storage temperature -30 to +70°C (Non-condensing)
- Mass 400 g

Specifications

Model no.	Rated voltage [V]	Frequency [Hz]	Input [W]	Current [A]	Locked rotor current [A]	Rated speed [min ⁻¹]	Max. airflow [m ³ /min] [CFM]	Max. static pressure [Pa] [inchH ₂ O]	SPL [dB (A)]	Operating temperature [°C]	Expected life [h]
109-150	100	50/60	9/8	0.13/0.11	0.17/0.15	2700/3150	0.9/1.05 31.8/37.1	31.4/44.1 0.126/0.177	35/39	-30 to +60	25000/60°C
109-153	115			0.11/0.1	0.14/0.12						
109-151	200			0.07/0.06	0.09/0.08						
109-154	230			0.06/0.05	0.08/0.07						

Set Models

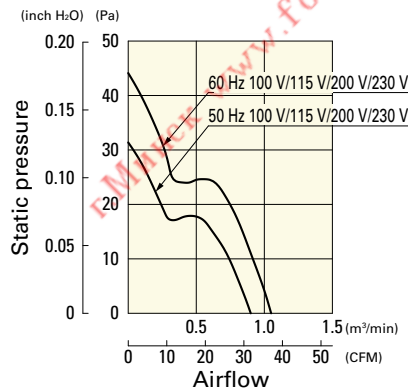
Fan, finger guard, plug cord, screws, etc. can be purchased in one package. For details, please refer to p. 574.

Order no.	Set items					
	Fan	Voltage	Low-speed sensor	Plug cord	Finger guards	Mounting screws
ST1-109-150	109-150	100 V		489-016-L10	109-049E	M4×55 mm (4 screws)*
ST1-109-153	109-153	115 V		489-016-L10	109-049E	
ST1-109-151	109-151	200 V		489-016-L10	109-049E	
ST1-109-154	109-154	230 V		489-016-L10	109-049E	

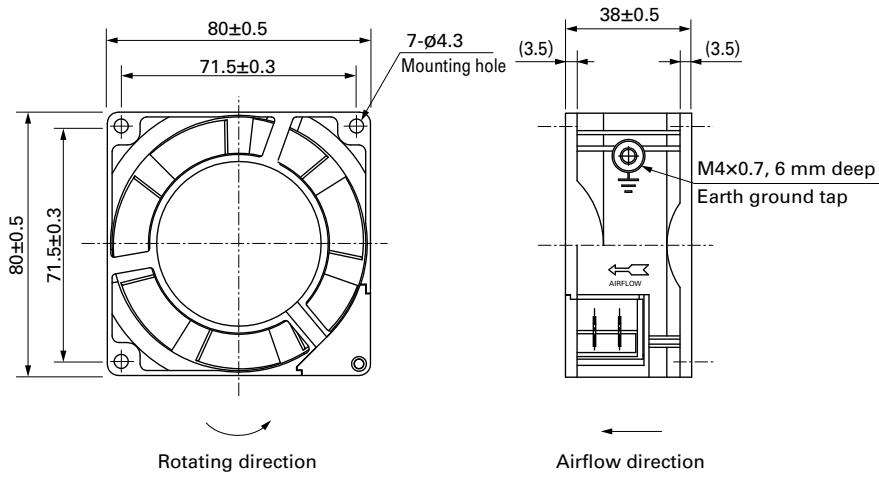
*Though these are 2-hole or 3-hole frame mount types, 4 screws are included for extra.

Airflow - Static Pressure Characteristics

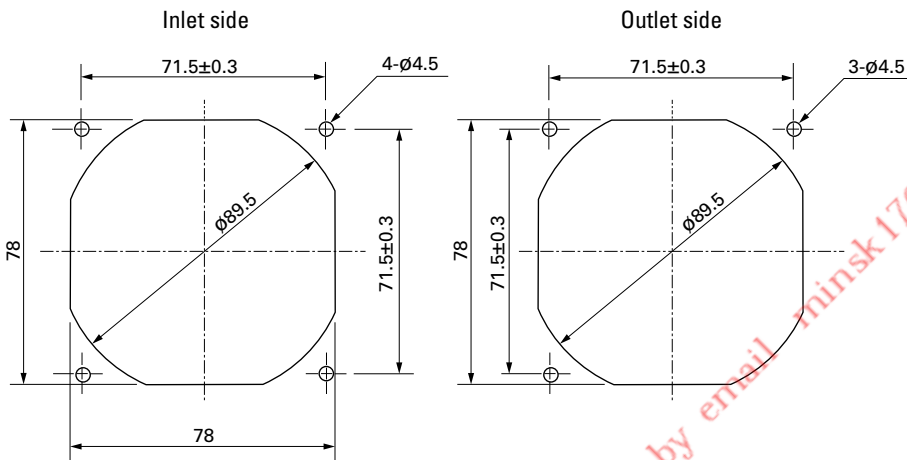
109-150, 109-153, 109-151, 109-154



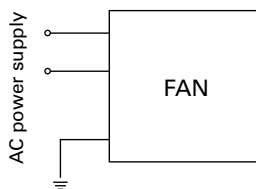
Dimensions (unit: mm)



Reference Dimensions of Mounting Holes and Vent Opening (unit: mm)



Wiring Diagram



Options

Finger guards

page: p. 513

Model no.: 109-049C, 109-049E, 109-049H

Resin finger guards

page: p. 520

Model no.: 109-1002G

Resin filter kits

page: p. 521

Model no.: 109-1002F13 (13PPI), 109-1002F20 (20PPI),
109-1002F30 (30PPI), 109-1002F40 (40PPI)

Plug cord

page: pp. 523 to 524

Model no.: 489-016-L10, 489-016-L21, 489-047-L10,
489-047-L21

AC

AC Fan 80 mm sq.



80x80x42 mm

San Ace 80

General Specifications

- Material Frame: Aluminum (Black coating), Impeller: Plastic (Flammability: UL 94V-1)
- Expected life See the table below. (L10 life: 90% survival rate for continuous operation in free air at 60°C, rated voltage)
- Motor structure Shaded coil motor
- Motor protection function Locked rotor burnout protection, Reverse polarity protection
For details, please refer to p. 529.
- Dielectric strength 50/60 Hz, 1500 VAC, for 1 minute (between input terminal and frame)
- Insulation resistance 10 MΩ or more with a 500 VDC megger
- Sound pressure level (SPL) At 1 m away from the air inlet
- Operating voltage range Voltage of each model ±10%
- Storage temperature -30 to +70°C (Non-condensing)
- Mass 410 g

Specifications

Model no.	Rated voltage [V]	Frequency [Hz]	Input [W]	Current [A]	Locked rotor current [A]	Rated speed [min ⁻¹]	Max. airflow [m ³ /min] [CFM]	Max. static pressure [Pa] [inchH ₂ O]	SPL [dB (A)]	Operating temperature [°C]	Expected life [h]					
109-040UL	100	50/60	10/9	0.13/0.11	0.16/0.14	2650/3100	0.85/1.0 30.0/35.3	24.5/35.3 0.098/0.142	40/44	-30 to +60	25000/60°C					
109-043UL	115			0.11/0.1	0.14/0.12											
109-041UL	200			0.07/0.06	0.08/0.07											
109-044UL	230			0.06/0.05	0.07/0.06											
109-047UL*	100			4/3.5	0.05/0.05							0.05/0.05	1500/1500	0.43/0.43 15.2/15.2	8.8/ 8.8 0.035/0.035	24/24
109-033UL*	115				0.04/0.04							0.04/0.04				

*These are low-speed models.

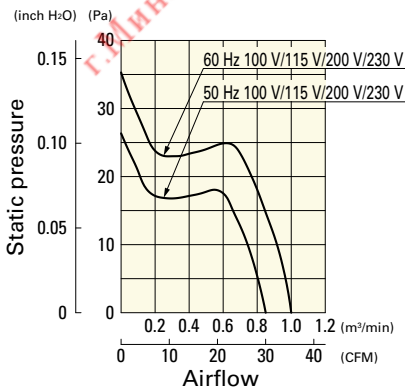
Set Models

Fan, finger guard, plug cord, screws, etc. can be purchased in one package. For details, please refer to p. 574.

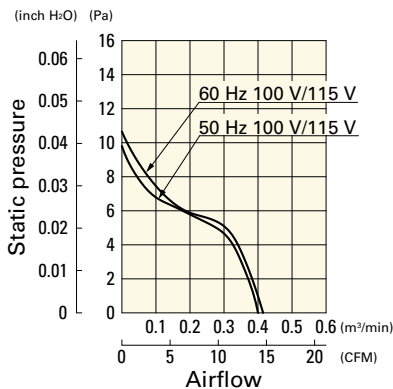
Order no.	Set items					
	Fan	Voltage	Low-speed sensor	Plug cord	Finger guards	Mounting screws
ST1-109-040UL	109-040UL	100 V		489-008-L10	109-049E	M4x55 mm (4 screws)
ST1-109-043UL	109-043UL	115 V		489-008-L10	109-049E	
ST1-109-041UL	109-041UL	200 V		489-008-L10	109-049E	
ST1-109-044UL	109-044UL	230 V		489-008-L10	109-049E	
ST1-109-047UL	109-047UL	100 V		489-008-L10	109-049E	
ST1-109-033UL	109-033UL	115 V		489-008-L10	109-049E	

Airflow - Static Pressure Characteristics

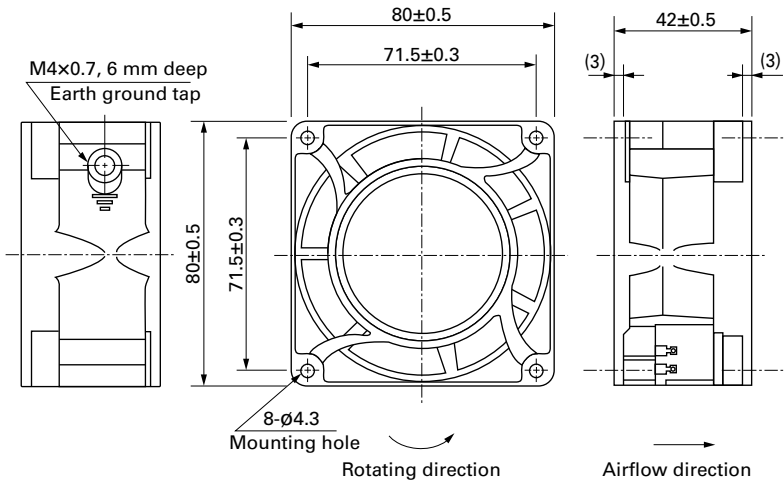
109-040UL, 109-043UL, 109-041UL, 109-044UL



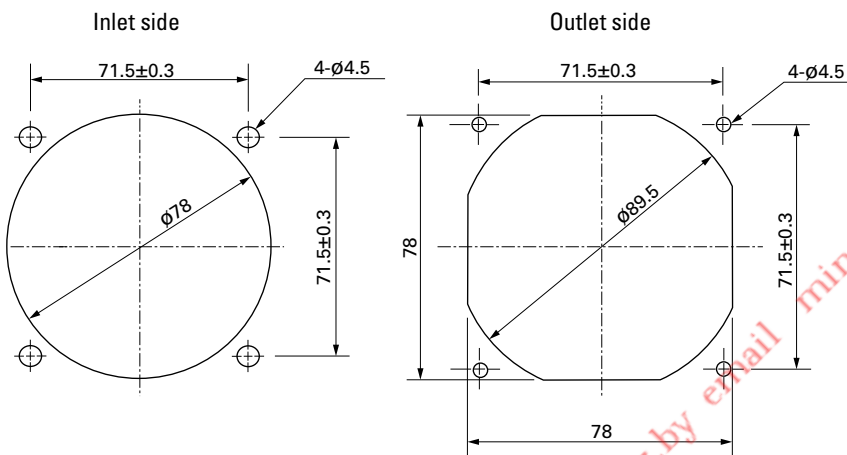
109-047UL, 109-033UL



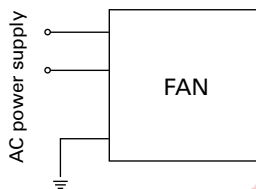
Dimensions (unit: mm)



Reference Dimensions of Mounting Holes and Vent Opening (unit: mm)



Wiring Diagram



Options

Finger guards

page: p. 513

Model no.: 109-049C, 109-049E, 109-049H

Resin finger guards

page: p. 520

Model no.: 109-1002G

Resin filter kits

page: p. 521

Model no.: 109-1002F13 (13PPI), 109-1002F20 (20PPI),
109-1002F30 (30PPI), 109-1002F40 (40PPI)

Plug cord

page: p. 523

Model no.: 489-008-L10, 489-008-L21, 489-008-L35

92×92×25 mm

San Ace 92  Only standard fans (without sensors) have acquired CSA certification.

General Specifications

- Material Frame: Aluminum, Impeller: Plastic (Flammability: UL 94V-1)
- Expected life See the table below. (L10 life: 90% survival rate for continuous operation in free air at 60°C, rated voltage)
- Motor structure Shaded coil motor
- Motor protection function Locked rotor burnout protection, Reverse polarity protection
For details, please refer to p. 529.
- Dielectric strength 50/60 Hz, 1500 VAC, for 1 minute (between input terminal and frame)
- Dielectric strength (with sensor) Between AC input and DC input (Sensor output): 50/60 Hz 1000 VAC 1 minute
Between AC input and G: 50/60 Hz 1500 VAC 1 minute
Between G and DC input (Sensor output): 50/60 Hz 1000 VAC 1 minute
- Insulation resistance 10 MΩ or more with a 500 VDC megger
- Sound pressure level (SPL) At 1 m away from the air inlet
- Operating voltage range Voltage of each model ±10%
- Storage temperature -30 to +70°C (Non-condensing)
- Sensor-Purpose lead wire ⊕Brown ⊖Black (Sensor) Yellow
- Mass 290 g/310 g (with Sensor)

Specifications

Standard

Model no.	Rated voltage [V]	Frequency [Hz]	Input [W]	Current [A]	Locked rotor current [A]	Rated speed [min ⁻¹]	Max. airflow [m ³ /min] [CFM]	Max. static pressure [Pa] [inchH ₂ O]	SPL [dB (A)]	Operating temperature [°C]	Expected life [h]
109S091	100	50/60	8/7	0.1 /0.09	0.13/0.12	2700/3100	0.95/1.1 33.6/38.9	39.2/49.0 0.157/0.197	35/38	-30 to +60	25000/60°C
109S093	115			0.09/0.08	0.11/0.1						
109S092	200		11/10	0.07/0.06	0.08/0.08						
109S094	230		10/9	0.06/0.05	0.07/0.07						
109S095	100		8/7	0.1 /0.09	0.11/0.1	2400/2800	0.84/0.98 29.7/34.6	31.4/40.2 0.126/0.161	32/35		
109S096*	100		7/6	0.09/0.08	0.09/0.08	1500/1700	0.55/0.65 19.4/23	12.5/16.3 0.05 /0.065	24/27		
109S193*	115			0.08/0.07	0.08/0.07						
109S192*	200		8/7	0.06/0.05	0.06/0.05						
109S194*	230			0.05/0.04	0.05/0.04						

*These are low-speed models.

with Sensor

For sensor specifications, please refer to p. 531. Sensor specification differs depending on the fan's speed specification.

For a 5 V sensor power supply (ITEM-20), please append "-20" to the end of model number. E.g. 109S491-20

For a 12 V sensor power supply (ITEM-30), please append "-30" to the end of model number. E.g. 109S491-30

Model no.	Rated voltage [V]	Frequency [Hz]	Input [W]	Current [A]	Locked rotor current [A]	Rated speed [min ⁻¹]	Max. airflow [m ³ /min] [CFM]	Max. static pressure [Pa] [inchH ₂ O]	SPL [dB (A)]	Operating temperature [°C]	Expected life [h]
109S491	100	50/60	8/7	0.1 /0.09	0.13/0.12	2700/3100	0.95/1.1 33.6/38.9	39.2/49.0 0.157/0.197	35/38	-10 to +60	25000/60°C
109S493	115			0.09/0.08	0.11/0.1						
109S492	200		11/10	0.07/0.06	0.08/0.08						
109S494	230		10/9	0.06/0.05	0.07/0.07						
109S495	100		8/7	0.1 /0.09	0.11/0.1	2400/2800	0.84/0.98 29.7/34.6	31.4/40.2 0.126/0.161	32/35		
109S496*			7/6	0.09/0.08	0.09/0.08	1500/1700	0.55/0.65 19.4/23	12.5/16.3 0.05 /0.065	24/27		

*These are low-speed models.

For the San Ace 92AD 9AD type 92×92×38 mm fan, please refer to p. 458.

This fan works while internally converting AC power into DC power, providing the superior performance of a DC fan with the flexibility of AC input.

Set Models

Fan, finger guard, plug cord, screws, etc. can be purchased in one package. For details, please refer to p. 574.

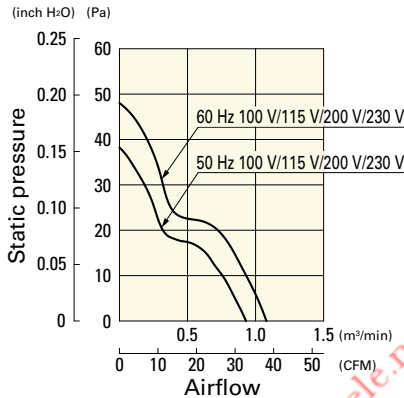
Order no.	Set items					
	Fan	Voltage	Low-speed sensor	Plug cord	Finger guards	Mounting screws
ST1-109S091	109S091	100 V		489-016-L10	109-099E	M3x40 mm (4 screws)*
ST1-109S093	109S093	115 V		489-016-L10	109-099E	
ST1-109S092	109S092	200 V		489-016-L10	109-099E	
ST1-109S094	109S094	230 V		489-016-L10	109-099E	
ST1-109S095	109S095	100 V		489-016-L10	109-099E	
ST1-109S096	109S096	100 V		489-016-L10	109-099E	
ST1-109S193	109S193	115 V		489-016-L10	109-099E	
ST1-109S192	109S192	200 V		489-016-L10	109-099E	
ST1-109S194	109S194	230 V		489-016-L10	109-099E	
ST1-109S491-20	109S491-20	100 V	○ (5 V)	489-016-L10	109-099E	
ST1-109S491-30	109S491-30		○ (12 V)	489-016-L10	109-099E	
ST1-109S493-20	109S493-20	115 V	○ (5 V)	489-016-L10	109-099E	
ST1-109S493-30	109S493-30		○ (12 V)	489-016-L10	109-099E	
ST1-109S492-20	109S492-20	200 V	○ (5 V)	489-016-L10	109-099E	
ST1-109S492-30	109S492-30		○ (12 V)	489-016-L10	109-099E	
ST1-109S494-20	109S494-20	230 V	○ (5 V)	489-016-L10	109-099E	
ST1-109S494-30	109S494-30		○ (12 V)	489-016-L10	109-099E	
ST1-109S495-20	109S495-20	100 V	○ (5 V)	489-016-L10	109-099E	
ST1-109S495-30	109S495-30		○ (12 V)	489-016-L10	109-099E	
ST1-109S496-20	109S496-20		○ (5 V)	489-016-L10	109-099E	
ST1-109S496-30	109S496-30		○ (12 V)	489-016-L10	109-099E	

*Though these are 2-hole or 3-hole frame mount types, 4 screws are included for extra.

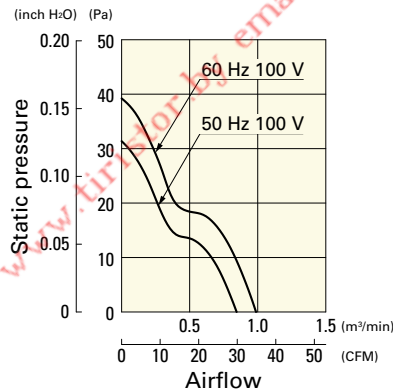
Airflow - Static Pressure Characteristics

Standard

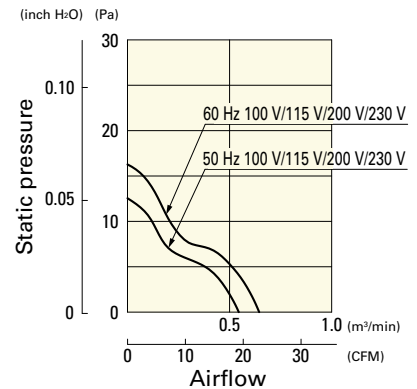
109S091, 109S093, 109S092, 109S094



109S095

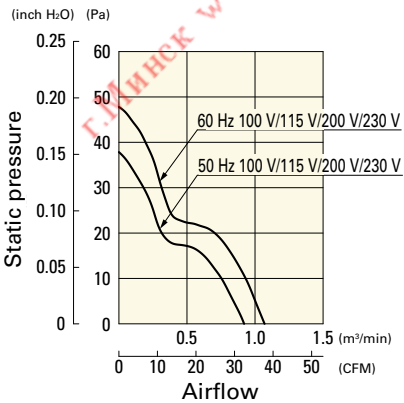


109S096, 109S193, 109S192, 109S194

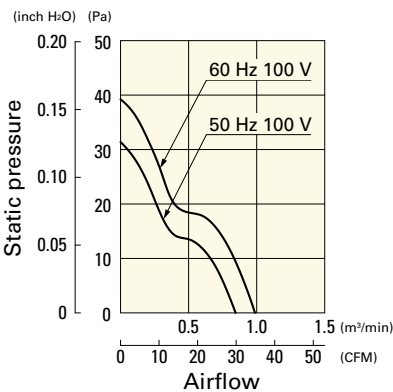


with Sensor

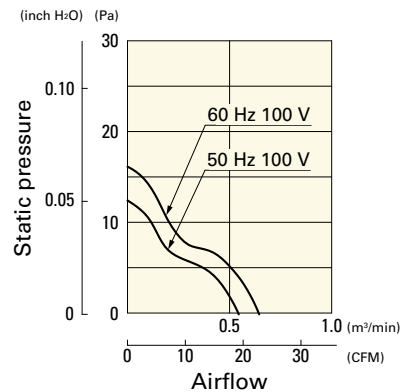
109S491, 109S493, 109S492, 109S494



109S495

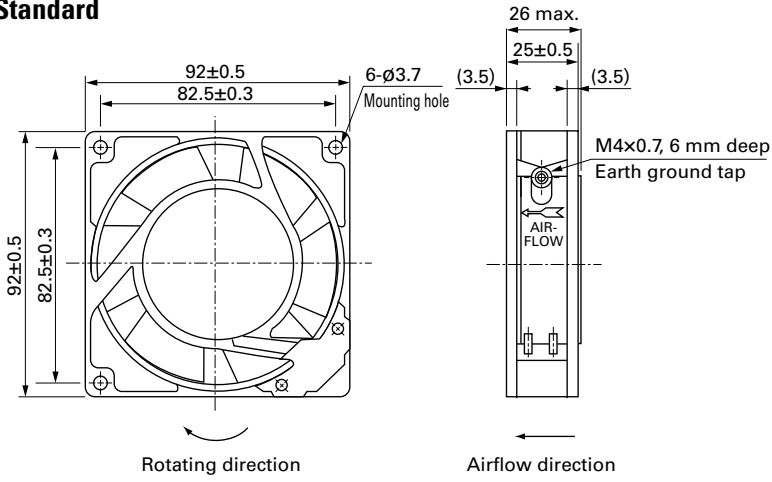


109S496

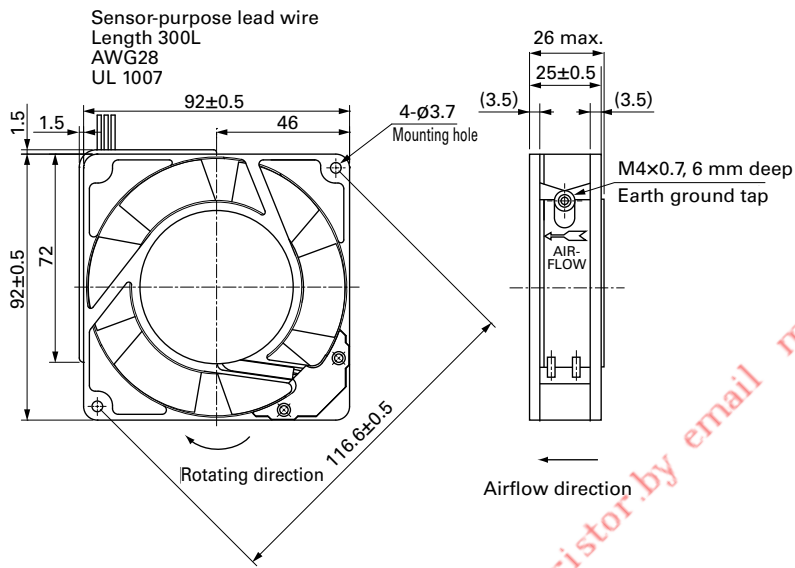


Dimensions (unit: mm)

Standard

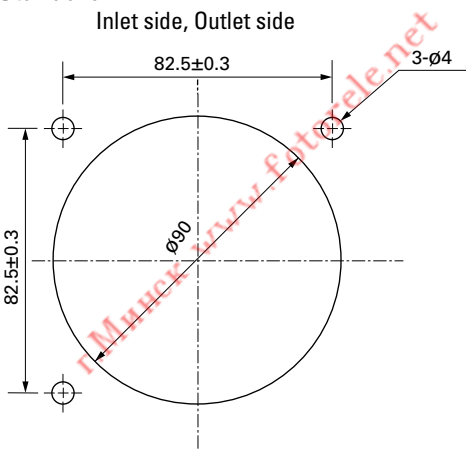


with Sensor

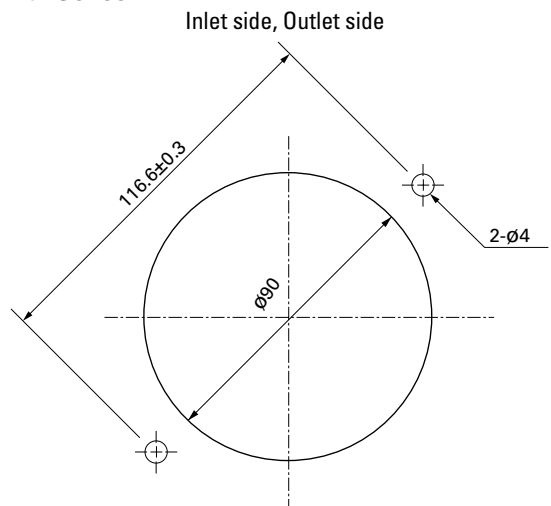


Reference Dimensions of Mounting Holes and Vent Opening (unit: mm)

Standard

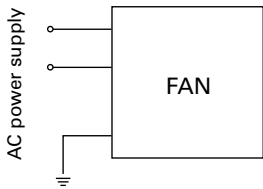


with Sensor



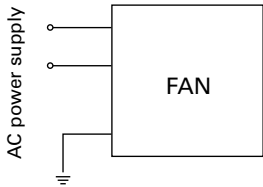
Wiring Diagram

Standard

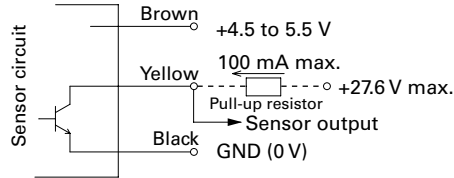


with Sensor

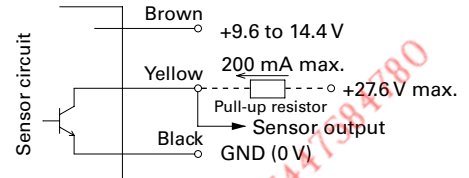
For fan power supply



For sensor circuit
5 V (ITEM-20)



12 V (ITEM-30)



GND (Black) should be shared in case that power supply for sensor circuit (Brown) and that for sensor pull-up (Yellow) are separated.

Options

Finger guards

page: p. 513

Model no.: 109-099C, 109-099E, 109-099H

Resin finger guards

page: p. 520

Model no.: 109-1001G

Resin filter kits

page: p. 521

Model no.: 109-1001F13 (13PPI), 109-1001F20 (20PPI),
109-1001F30 (30PPI), 109-1001F40 (40PPI)

Plug cord

page: pp. 523 to 524

Model no.: 489-016-L10, 489-016-L21, 489-047-L10,
489-047-L21

г.Минск www.fotorele.net www.tiristor.by email minsk17@... тел. +37541194780

120×120×25 mm

San Ace 120



Only standard fans (without sensors) have acquired CSA certification.



General Specifications

- Material Frame: Aluminum, Impeller: Plastic (Flammability: UL 94V-1)
- Expected life See the table below. (L10 life: 90% survival rate for continuous operation in free air at 60°C, rated voltage)
- Motor structure Shaded coil motor
- Motor protection function Locked rotor burnout protection, Reverse polarity protection
For details, please refer to p. 529.
- Dielectric strength 50/60 Hz, 1500 VAC, for 1 minute (between input terminal and frame)
- Dielectric strength (with sensor) Between AC input and DC input (Sensor output): 50/60 Hz 1000 VAC 1 minute
Between AC input and G: 50/60 Hz 1500 VAC 1 minute
Between G and DC input (Sensor output): 50/60 Hz 1000 VAC 1 minute
- Insulation resistance 10 MΩ or more with a 500 VDC megger
- Sound pressure level (SPL) At 1 m away from the air inlet
- Operating voltage range Voltage of each model ±10%
- Storage temperature -30 to +70°C (Non-condensing)
- Sensor-Purpose lead wire ⊕Brown ⊖Black (Sensor) Yellow
- Mass 370 g/390 g (with Sensor)

Specifications

Standard

Model no.	Rated voltage [V]	Frequency [Hz]	Input [W]	Current [A]	Locked rotor current [A]	Rated speed [min ⁻¹]	Max. airflow [m ³ /min] [CFM]	Max. static pressure [Pa] [inchH ₂ O]	SPL [dB (A)]	Operating temperature [°C]	Expected life [h]
109S085	100	50/60	13.5/12	0.16/0.14	0.19/0.17	2500/2900	1.95/2.3 68.9/81.3	48 /51.9 0.193/0.216	38/41	-30 to +60	25000/60°C
109S084	115			0.14/0.12	0.16/0.15						
109S088	200			0.08/0.07	0.1 /0.09						
109S087	230			0.07/0.06	0.08/0.07						
109S081	100		0.11	0.11/0.1	2200/2350	1.7 /1.8 60.1/63.6	29.4/26.5 0.118/0.106	34/35			
109S083	115		0.1	0.1 /0.09							
109S082	200		0.07	0.07/0.06							
109S089	230		0.06	0.06/0.05							
109S086*	100	12/10	0.14/0.12	0.15/0.13	1400/1600	1.1 /1.25 38.9/44.2	14.7/18.6 0.059/0.075	24/27			

*These are low-speed models.

with Sensor

For sensor specifications, please refer to p. 531. Sensor specification differs depending on the fan's speed specification.

For a 5 V sensor power supply (ITEM-20), please append "-20" to the end of model number. E.g. 109S485-20

For a 12 V sensor power supply (ITEM-30), please append "-30" to the end of model number. E.g. 109S485-30

Model no.	Rated voltage [V]	Frequency [Hz]	Input [W]	Current [A]	Locked rotor current [A]	Rated speed [min ⁻¹]	Max. airflow [m ³ /min] [CFM]	Max. static pressure [Pa] [inchH ₂ O]	SPL [dB (A)]	Operating temperature [°C]	Expected life [h]
109S485	100	50/60	13.5/12	0.16/0.14	0.19/0.17	2500/2900	1.95/2.3 68.9/81.3	48 /51.9 0.193/0.216	38/41	-10 to +60	25000/60°C
109S484	115			0.14/0.12	0.16/0.15						
109S488	200			0.08/0.07	0.1 /0.09						
109S487	230			0.07/0.06	0.08/0.07						
109S486*	100		12/10	0.14/0.12	0.15/0.13	1400/1600	1.1 /1.25 38.9/44.2	14.7/18.6 0.059/0.075	24/27		

*These are low-speed models.

Set Models

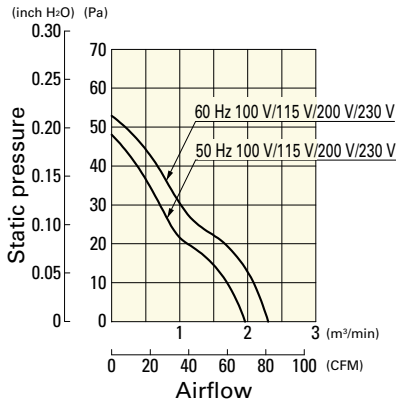
Fan, finger guard, plug cord, screws, etc. can be purchased in one package. For details, please refer to p. 574.

Order no.	Set items					
	Fan	Voltage	Low-speed sensor	Plug cord	Finger guards	Mounting screws
ST1-109S085	109S085	100 V		489-016-L10	109-019E	M3×40 mm (4 screws)
ST1-109S084	109S084	115 V		489-016-L10	109-019E	
ST1-109S088	109S088	200 V		489-016-L10	109-019E	
ST1-109S087	109S087	230 V		489-016-L10	109-019E	
ST1-109S081	109S081	100 V		489-016-L10	109-019E	
ST1-109S083	109S083	115 V		489-016-L10	109-019E	
ST1-109S082	109S082	200 V		489-016-L10	109-019E	
ST1-109S089	109S089	230 V		489-016-L10	109-019E	
ST1-109S086	109S086			489-016-L10	109-019E	
ST1-109S485-20	109S485-20	100 V	○ (5 V)	489-016-L10	109-019E	
ST1-109S485-30	109S485-30		○ (12 V)	489-016-L10	109-019E	
ST1-109S484-20	109S484-20	115 V	○ (5 V)	489-016-L10	109-019E	
ST1-109S484-30	109S484-30		○ (12 V)	489-016-L10	109-019E	
ST1-109S488-20	109S488-20	200 V	○ (5 V)	489-016-L10	109-019E	
ST1-109S488-30	109S488-30		○ (12 V)	489-016-L10	109-019E	
ST1-109S487-20	109S487-20	230 V	○ (5 V)	489-016-L10	109-019E	
ST1-109S487-30	109S487-30		○ (12 V)	489-016-L10	109-019E	
ST1-109S486-20	109S486-20	100 V	○ (5 V)	489-016-L10	109-019E	
ST1-109S486-30	109S486-30		○ (12 V)	489-016-L10	109-019E	

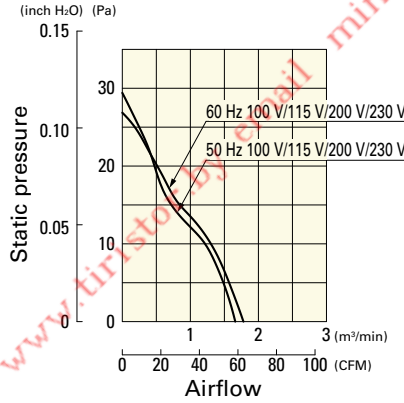
Airflow - Static Pressure Characteristics

Standard

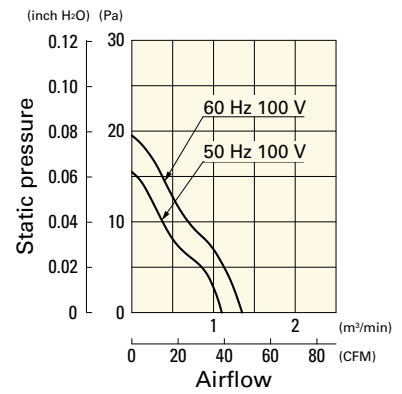
109S085, 109S084, 109S088, 109S087



109S081, 109S083, 109S082, 109S089

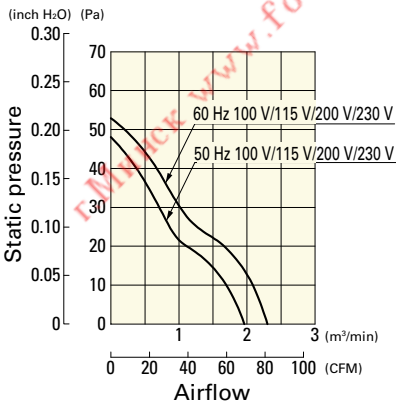


109S086

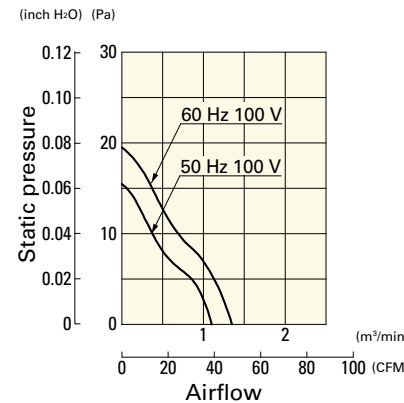


with Sensor

109S485, 109S484, 109S488, 109S487

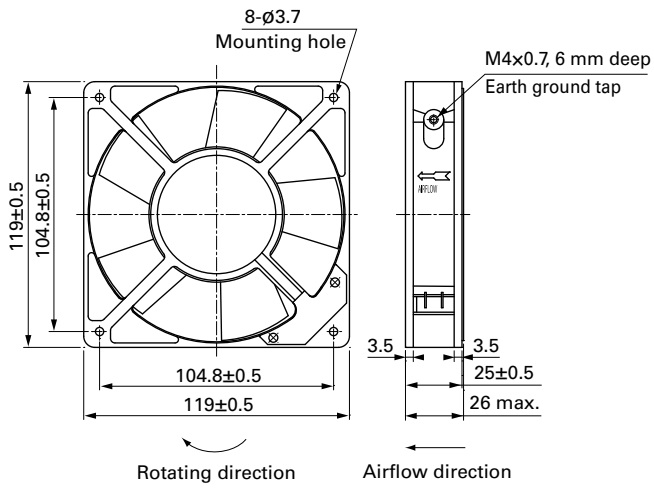


109S486

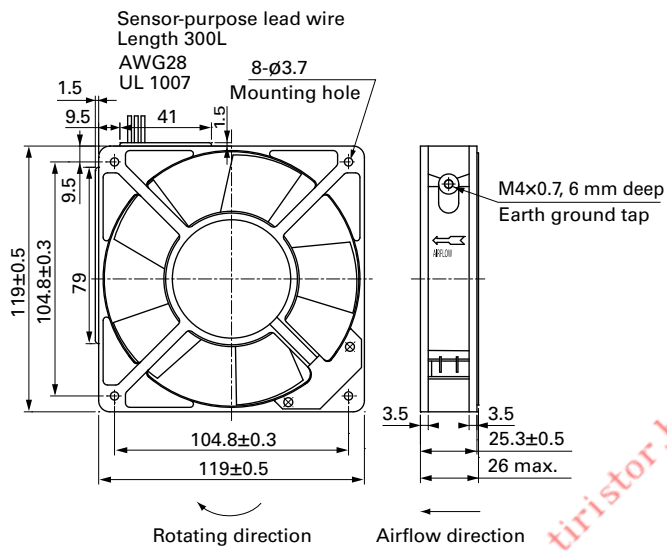


Dimensions (unit: mm)

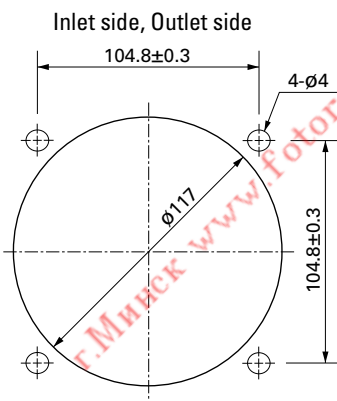
Standard



with Sensor When mounting the model with a sensor, please screw-mount through both flanges as it has a sensor box.

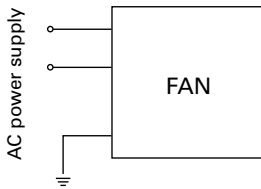


Reference Dimensions of Mounting Holes and Vent Opening (unit: mm)



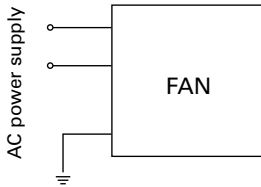
Wiring Diagram

Standard

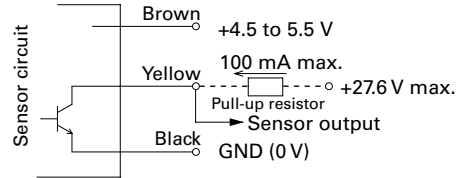


with Sensor

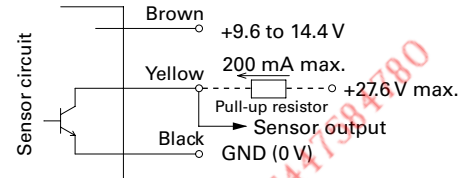
For fan power supply



For sensor circuit
5 V (ITEM-20)



12 V (ITEM-30)



GND (Black) should be shared in case that power supply for sensor circuit (Brown) and that for sensor pull-up (Yellow) are separated.

Options

Finger guards

page: p. 514

Model no.: 109-019C, 109-019H, 109-019E, 109-019K

Resin finger guards

page: p. 520

Model no.: 109-1000G

Resin filter kits

page: p. 521

Model no.: 109-1000F13 (13PPI), 109-1000F20 (20PPI),
109-1000F30 (30PPI), 109-1000F40 (40PPI)

Plug cord

page: pp. 523 to 524

Model no.: 489-016-L10, 489-016-L21, 489-047-L10,
489-047-L21



120×120×38 mm

San Ace 120      Certifications vary by model no. Please refer to pp. 562 to 563.

General Specifications

- Material Frame: Aluminum, Impeller: Plastic (Flammability: UL 94V-1)
- Expected life See the table below. (L10 life: 90% survival rate for continuous operation in free air at 60°C, rated voltage)
- Motor structure Shaded coil motor
- Motor protection function Locked rotor burnout protection, Reverse polarity protection
For details, please refer to p. 529.
- Dielectric strength 50/60 Hz, 1500 VAC, for 1 minute (between input terminal and frame)
- Dielectric strength (with sensor) Between AC input and DC input (Sensor output): 50/60 Hz 1000 VAC 1 minute
Between AC input and G: 50/60 Hz 1500 VAC 1 minute
Between G and DC input (Sensor output): 50/60 Hz 1000 VAC 1 minute
- Insulation resistance 10 MΩ or more with a 500 VDC megger
- Sound pressure level (SPL) At 1 m away from the air inlet
- Operating voltage range Voltage of each model ±10%
- Storage temperature -30 to +70°C (Non-condensing)
- Sensor-Purpose lead wire ⊕Brown ⊖Black (Sensor) Yellow
- Mass 550 g/580 g (with Sensor)

Specifications

Standard

Model no.	Rated voltage [V]	Frequency [Hz]	Input [W]	Current [A]	Locked rotor current [A]	Rated speed [min ⁻¹]	Max. airflow [m ³ /min] [CFM]	Max. static pressure [Pa] [inchH ₂ O]	SPL [dB (A)]	Operating temperature [°C]	Expected life [h]	
109S075UL	100	50/60	18/16	0.24/0.21	0.32/0.28	2700/3100	2.5 / 2.9 88.3/102.5	57.9/68.7 0.233/0.276	42/45	-30 to +60	25000/60°C	
109S074UL	115			0.21/0.18	0.27/0.24							
109S078UL	200			0.12/0.1	0.16/0.14							
109S072UL	230			0.11/0.09	0.14/0.13							
109S005	100	14/12	0.18/0.16	0.25/0.22	2700/3100	2.35/2.7 83 / 95.4	55.9/65.7 0.224/0.264	40/43				
109S005UL									120			0.16/0.14
109S024	115								0.09/0.08			0.13/0.11
109S008	200								0.08/0.07			0.11/0.09
109S008UL		230	0.08/0.07	0.11/0.09								
109S025	100	14/12	0.18/0.16	0.23/0.21	2450/2700	2.15/2.35 76 / 83	44.1/49.0 0.177/0.197	38/40				
109S025UL		13/11	0.16/0.14	0.16/0.15	1800/2000	1.55/1.75 54.8/ 60.8	23.5/26.4 0.094/0.106	30/32				
109S013	115	7/7	0.1 /0.09	0.1 /0.09	1650/1700	1.45/1.5 51.2/ 53	17.6/17.6 0.071/0.071	28/28				
109S006*		10/10	0.13/0.11	0.13/0.11	1800/1900	1.56/1.64 55 / 57.9	20 /20.6 0.08 /0.083	30/31				
109S006UL*	200	7/7	0.05/0.04	0.05/0.04	1650/1700	1.45/1.5 51.2/ 53	17.6/17.6 0.071/0.071	28/28				
109S010*		11/11	0.06/0.05	0.06/0.05	1800/1950	1.58/1.68 55.8/ 59.3	20.6/21.6 0.083/0.087	30/32				
109S010UL*	240											

*These are low-speed models.

with Sensor

For sensor specifications, please refer to p. 531. Sensor specification differs depending on the fan's speed specification.

For a 5 V sensor power supply (ITEM-20), please append "-20" to the end of model number. E.g. 109S405UL-20

For a 12 V sensor power supply (ITEM-30), please append "-30" to the end of model number. E.g. 109S405UL-30

Model no.	Rated voltage [V]	Frequency [Hz]	Input [W]	Current [A]	Locked rotor current [A]	Rated speed [min ⁻¹]	Max. airflow [m ³ /min] [CFM]	Max. static pressure [Pa] [inchH ₂ O]	SPL [dB (A)]	Operating temperature [°C]	Expected life [h]
109S405UL	100	50/60	14/12	0.18/0.16	0.25/0.22	2700/3100	2.35/2.7 83 / 95.4	55.9/65.7 0.224/0.264	40/43	-10 to +60	25000/60°C
109S424UL	115			0.16/0.14	0.21/0.18						
109S408UL	200			0.09/0.08	0.13/0.11						
109S425UL	230			0.08/0.07	0.11/0.09						
109S429UL	100		7/6	0.18/0.16	0.23/0.21	2450/2700	2.15/2.35 76 / 83	44.1/49.0 0.177/0.197	38/40		
109S406UL*				0.09/0.08	0.1 /0.09	1650/1700	1.45/1.5 51 / 53	17.7/17.7 0.071/0.071	28/28		
109S475UL	100		18/16	0.24/0.21	0.32/0.28	2700/3100	2.5 /2.9 88.3/102.4	57.9/68.7 0.233/0.276	42/45		
109S474UL	115			0.21/0.18	0.27/0.24						
109S478UL	200			0.12/0.1	0.16/0.14						
109S472UL	230			0.11/0.09	0.14/0.13						

*These are low-speed models.

For the **San Ace 120AD** 9AD type **120×120×38** mm fan, please refer to p. 461.

This fan works while internally converting AC power into DC power, providing the superior performance of a DC fan with the flexibility of AC input.

Set Models

Fan, finger guard, plug cord, screws, etc. can be purchased in one package. For details, please refer to p. 574.

Order no.	Set items						Mounting screws
	Fan	Voltage	Low-speed sensor	Plug cord	Finger guards		
ST1-109S075UL	109S075UL	100 V		489-037-L10	109-019E	M3×55 mm (4 screws)	
ST1-109S074UL	109S074UL	115 V		489-037-L10	109-019E		
ST1-109S078UL	109S078UL	200 V		489-037-L10	109-019E		
ST1-109S072UL	109S072UL	230 V		489-037-L10	109-019E		
ST1-109S005	109S005	100 V		489-006-L10	109-019E		
ST1-109S005UL	109S005UL		489-037-L10	109-019E			
ST1-109S024	109S024	120 V		489-006-L10	109-019E		
ST1-109S024UL	109S024UL	115 V		489-037-L10	109-019E		
ST1-109S008	109S008	200 V		489-006-L10	109-019E		
ST1-109S008UL	109S008UL		489-037-L10	109-019E			
ST1-109S025	109S025	230 V		489-006-L10	109-019E		
ST1-109S025UL	109S025UL		489-037-L10	109-019E			
ST1-109S029UL	109S029UL	100 V		489-037-L10	109-019E		
ST1-109S013	109S013		489-006-L10	109-019E			
ST1-109S013UL	109S013UL		489-037-L10	109-019E			
ST1-109S006	109S006		489-006-L10	109-019E			
ST1-109S006UL	109S006UL	100 V 115 V		489-037-L10	109-019E		
ST1-109S010	109S010	200 V		489-006-L10	109-019E		
ST1-109S010UL	109S010UL	200 V 240 V		489-037-L10	109-019E		
ST1-109S405UL-20	109S405UL-20	100 V	○ (5 V)	489-037-L10	109-019E		
ST1-109S405UL-30	109S405UL-30		○ (12 V)	489-037-L10	109-019E		
ST1-109S424UL-20	109S424UL-20	115 V	○ (5 V)	489-037-L10	109-019E		
ST1-109S424UL-30	109S424UL-30		○ (12 V)	489-037-L10	109-019E		
ST1-109S408UL-20	109S408UL-20	200 V	○ (5 V)	489-037-L10	109-019E		
ST1-109S408UL-30	109S408UL-30		○ (12 V)	489-037-L10	109-019E		
ST1-109S425UL-20	109S425UL-20	230 V	○ (5 V)	489-037-L10	109-019E		
ST1-109S425UL-30	109S425UL-30		○ (12 V)	489-037-L10	109-019E		
ST1-109S429UL-20	109S429UL-20	100 V	○ (5 V)	489-037-L10	109-019E		
ST1-109S429UL-30	109S429UL-30		○ (12 V)	489-037-L10	109-019E		
ST1-109S406UL-20	109S406UL-20	100 V	○ (5 V)	489-037-L10	109-019E		
ST1-109S406UL-30	109S406UL-30		○ (12 V)	489-037-L10	109-019E		
ST1-109S475UL-20	109S475UL-20	100 V	○ (5 V)	489-037-L10	109-019E		
ST1-109S475UL-30	109S475UL-30		○ (12 V)	489-037-L10	109-019E		
ST1-109S474UL-20	109S474UL-20	115 V	○ (5 V)	489-037-L10	109-019E		
ST1-109S474UL-30	109S474UL-30		○ (12 V)	489-037-L10	109-019E		
ST1-109S478UL-20	109S478UL-20	200 V	○ (5 V)	489-037-L10	109-019E		
ST1-109S478UL-30	109S478UL-30		○ (12 V)	489-037-L10	109-019E		
ST1-109S472UL-20	109S472UL-20	230 V	○ (5 V)	489-037-L10	109-019E		
ST1-109S472UL-30	109S472UL-30		○ (12 V)	489-037-L10	109-019E		

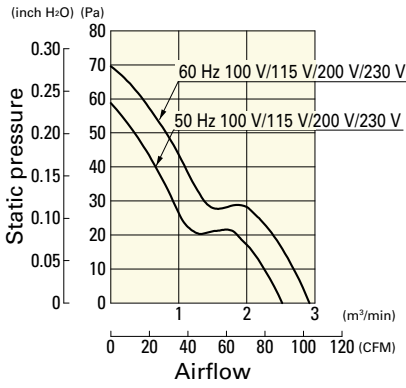
AC

AC Fan 120 mm sq.

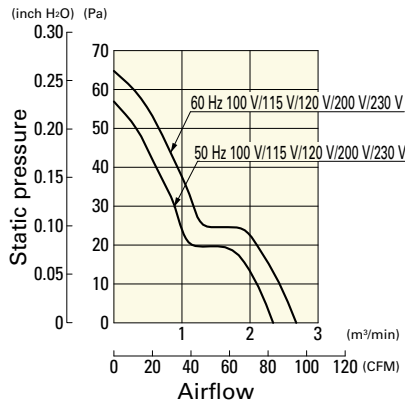
Airflow - Static Pressure Characteristics

Standard

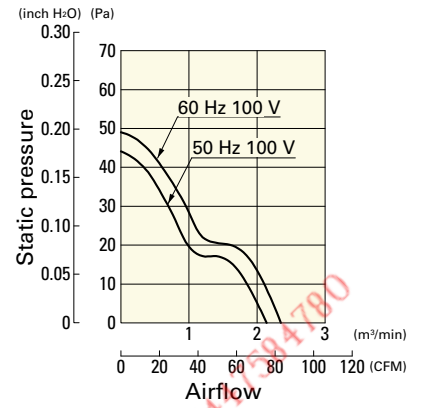
109S075UL, 109S074UL, 109S078UL, 109S072UL



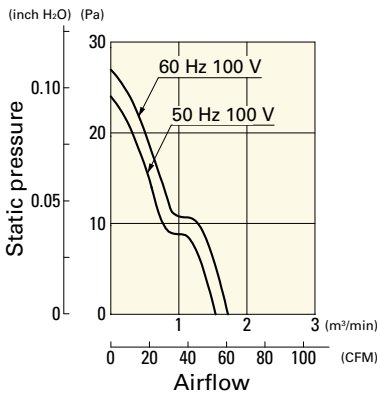
109S005, 109S005UL, 109S024, 109S024UL, 109S008, 109S008UL, 109S025, 109S025UL



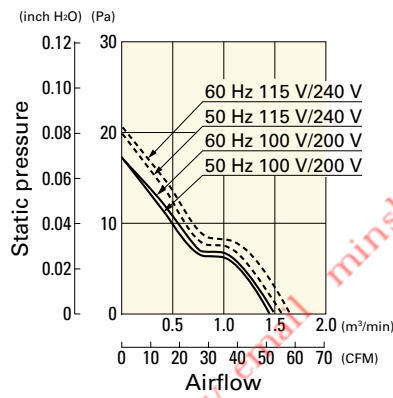
109S029UL



109S013, 109S013UL

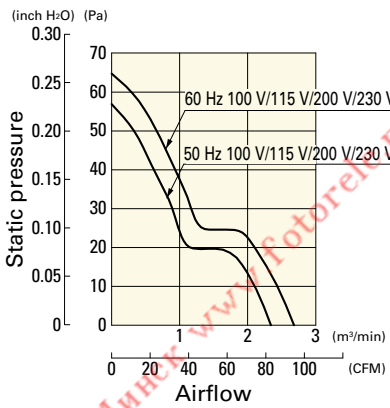


109S006, 109S006UL, 109S010, 109S010UL

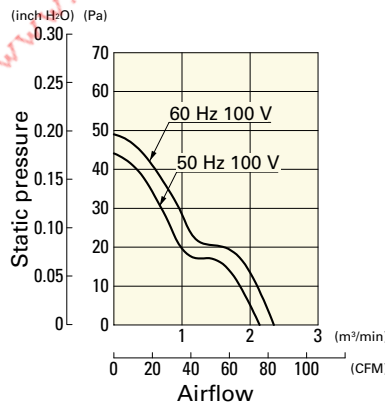


with Sensor

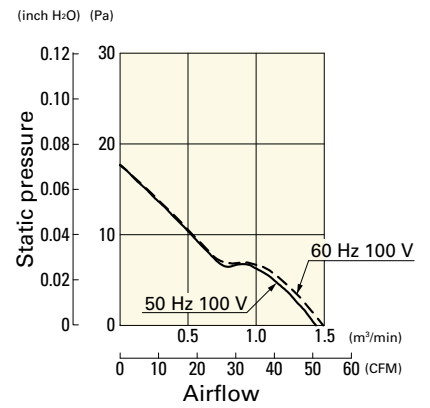
109S405UL, 109S424UL, 109S408UL, 109S425UL



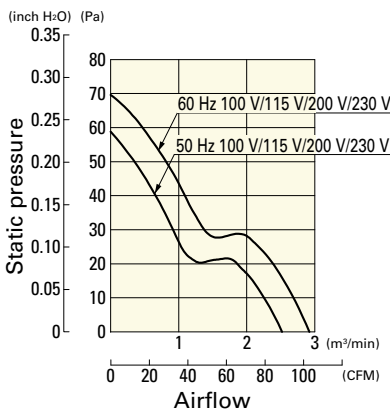
109S429UL



109S406UL

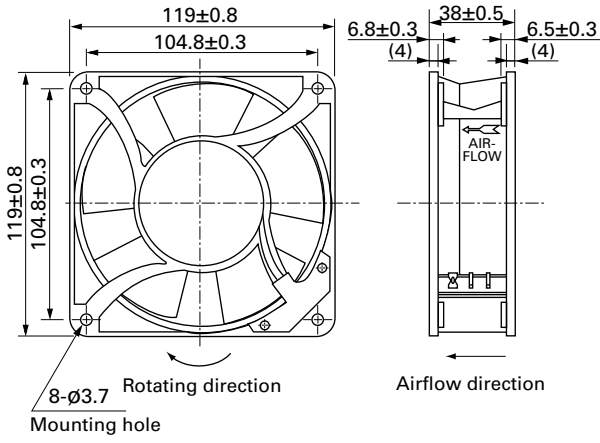


109S475UL, 109S474UL, 109S478UL, 109S472UL



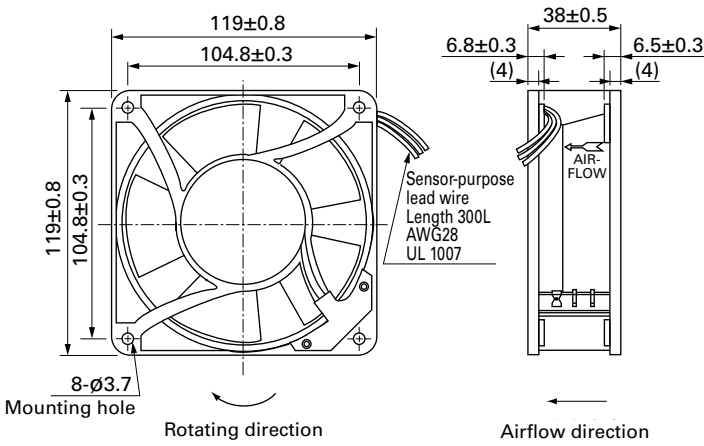
Dimensions (unit: mm)

Standard

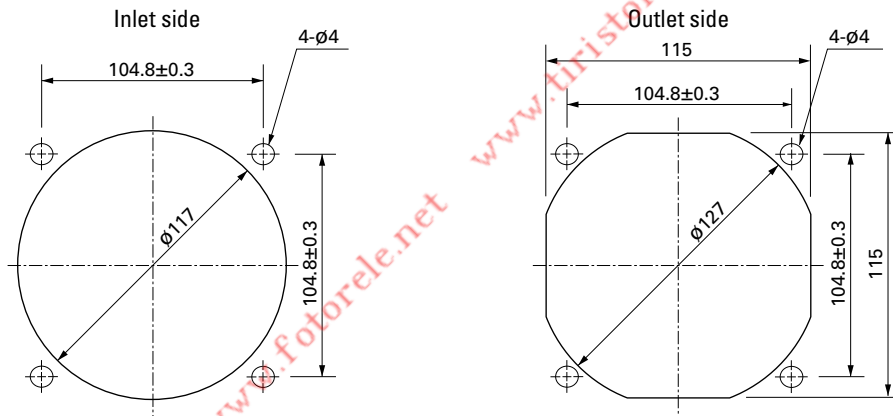


with Sensor

When mounting the model with a sensor, please screw-mount through both flanges as it has a sensor box.



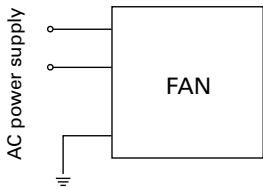
Reference Dimensions of Mounting Holes and Vent Opening (unit: mm)



AC
AC Fan 120 mm sq.

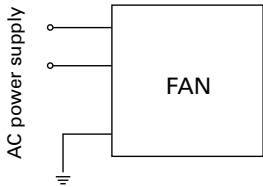
Wiring Diagram

Standard

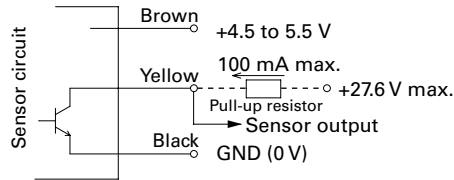


with Sensor

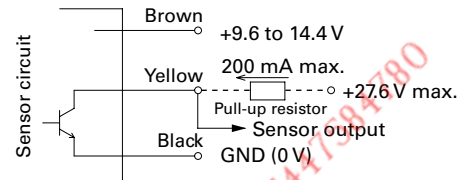
For fan power supply



For sensor circuit
5 V (ITEM-20)



12 V (ITEM-30)



GND (Black) should be shared in case that power supply for sensor circuit (Brown) and that for sensor pull-up (Yellow) are separated.

Options

Finger guards

page: p. 514

Model no.: 109-019C, 109-019H, 109-019E, 109-019K

Resin finger guards

page: p. 520

Model no.: 109-1000G

Resin filter kits

page: p. 521

Model no.: 109-1000F13 (13PPI), 109-1000F20 (20PPI),
109-1000F30 (30PPI), 109-1000F40 (40PPI)

Filter kits

page: p. 522

Model no.: 109-018

Screen kits

page: p. 522

Model no.: 109-020

Plug cord

page: pp. 523 to 524

Exclusive for fans without UL at the end of the model number.

Model no.: 489-006-L10, 489-006-L21, 489-006-L35

Exclusive for fans with UL at the end of the model number.

Model no.: 489-037-L10, 489-037-L21, 489-037-L35,
489-007-L10, 489-007-L21



160×160×51 mm

San Ace 160      Only standard fans (without sensors) have acquired CSA certification.

General Specifications

- Material Frame: Aluminum, Impeller: Plastic (Flammability: UL 94V-1)
- Expected life See the table below. (L10 life: 90% survival rate for continuous operation in free air at 60°C, rated voltage)
- Motor structure Capacitor motor
- Motor protection function Locked rotor burnout protection, Reverse polarity protection
For details, please refer to p. 529.
- Dielectric strength 50/60 Hz, 1500 VAC, for 1 minute (between input terminal and frame)
- Dielectric strength (with sensor) Between AC input and DC input (Sensor output): 50/60 Hz 1000 VAC 1 minute
Between AC input and G: 50/60 Hz 1500 VAC 1 minute
Between G and DC input (Sensor output): 50/60 Hz 1000 VAC 1 minute
- Insulation resistance 10 MΩ or more with a 500 VDC megger
- Sound pressure level (SPL) At 1 m away from the air inlet
- Operating voltage range Voltage of each model ±10%
- Storage temperature -30 to +70°C (Non-condensing)
- Sensor-Purpose lead wire ⊕Brown ⊖Black (Sensor) Yellow
- Mass 1100 g

Specifications

Standard

Model no.	Rated voltage [V]	Frequency [Hz]	Input [W]	Current [A]	Locked rotor current [A]	Rated speed [min ⁻¹]	Max. airflow [m ³ /min] [CFM]	Max. static pressure [Pa] [inchH ₂ O]	SPL [dB (A)]	Operating temperature [°C]	Expected life [h]
109-601	100	50/60	37.5/33	0.43/0.35	0.72/0.7	2850/3350	7.2/8.5 254.4/300.4	156.8/166.6 0.63/0.669	56/60	-30 to +60	25000/60°C
109-604	115			0.39/0.31	0.62/0.61						
109-602	200			0.23/0.18	0.36/0.35						
109-603	230			0.21/0.16	0.32/0.31						

with Sensor

For sensor specifications, please refer to p. 531. Sensor specification differs depending on the fan's speed specification.

For a 5 V sensor power supply (ITEM-20), please append "-20" to the end of model number. E.g. 109-641-20

For a 12 V sensor power supply (ITEM-30), please append "-30" to the end of model number. E.g. 109-641-30

Model no.	Rated voltage [V]	Frequency [Hz]	Input [W]	Current [A]	Locked rotor current [A]	Rated speed [min ⁻¹]	Max. airflow [m ³ /min] [CFM]	Max. static pressure [Pa] [inchH ₂ O]	SPL [dB (A)]	Operating temperature [°C]	Expected life [h]
109-641	100	50/60	37.5/33	0.43/0.35	0.72/0.7	2850/3350	7.2/8.5 254.4/300.4	156.8/166.6 0.63/0.669	56/60	-10 to +60	25000/60°C
109-644	115			0.39/0.31	0.62/0.61						
109-642	200			0.23/0.18	0.36/0.35						
109-643	230			0.21/0.16	0.32/0.31						

Set Models

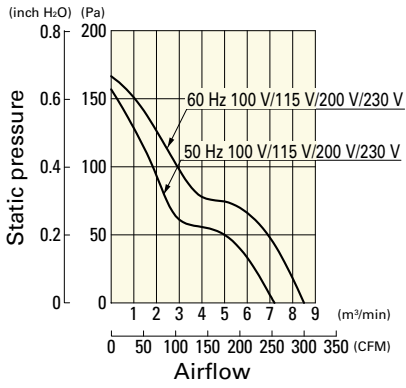
Fan, finger guard, plug cord, screws, etc. can be purchased in one package. For details, please refer to p. 574.

Order no.	Set items					
	Fan	Voltage	Low-speed sensor	Plug cord	Finger guards	Mounting screws
ST1-109-601	109-601	100 V		489-1618-L10	109-619E	M5×20 mm (4 screws)
ST1-109-604	109-604	115 V		489-1618-L10	109-619E	
ST1-109-602	109-602	200 V		489-1618-L10	109-619E	
ST1-109-603	109-603	230 V		489-1618-L10	109-619E	
ST1-109-641-20	109-641-20	100 V	○ (5 V)	489-1618-L10	109-619E	
ST1-109-641-30	109-641-30		○ (12 V)	489-1618-L10	109-619E	
ST1-109-644-20	109-644-20	115 V	○ (5 V)	489-1618-L10	109-619E	
ST1-109-644-30	109-644-30		○ (12 V)	489-1618-L10	109-619E	
ST1-109-642-20	109-642-20	200 V	○ (5 V)	489-1618-L10	109-619E	
ST1-109-642-30	109-642-30		○ (12 V)	489-1618-L10	109-619E	
ST1-109-643-20	109-643-20	230 V	○ (5 V)	489-1618-L10	109-619E	
ST1-109-643-30	109-643-30		○ (12 V)	489-1618-L10	109-619E	

Airflow - Static Pressure Characteristics

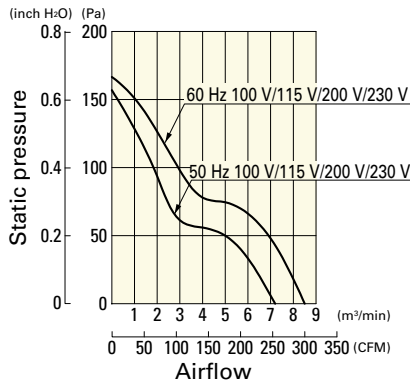
Standard

109-601, 109-604, 109-602, 109-603



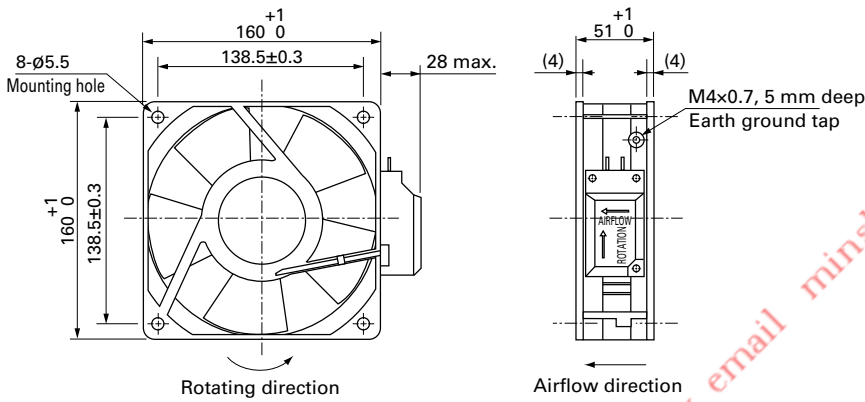
with Sensor

109-641, 109-644, 109-642, 109-643

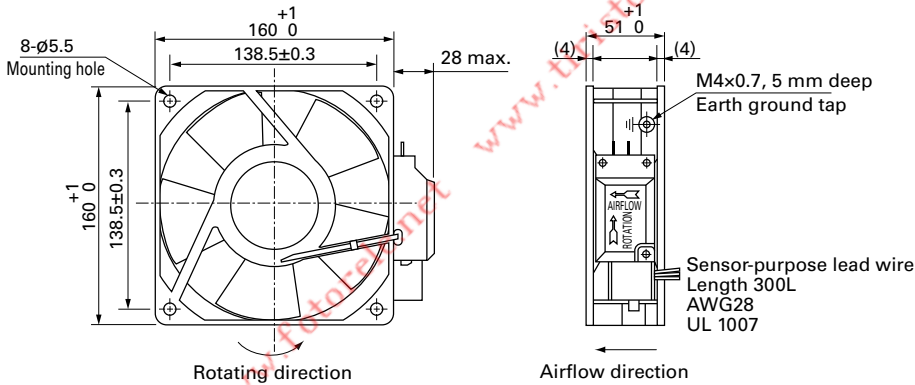


Dimensions (unit: mm)

Standard

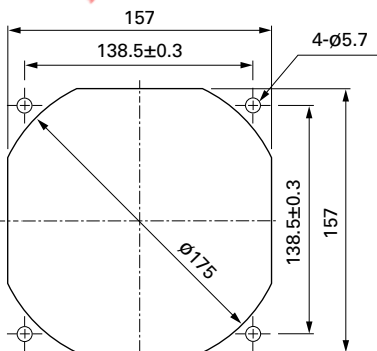


with Sensor



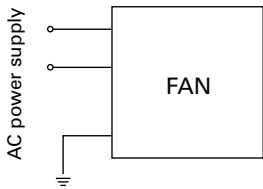
Reference Dimensions of Mounting Holes and Vent Opening (unit: mm)

Inlet side, Outlet side



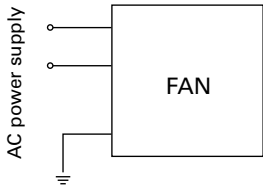
Wiring Diagram

Standard

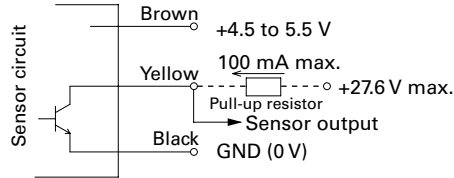


with Sensor

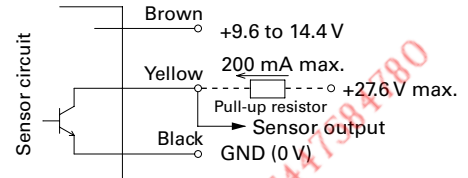
For fan power supply



For sensor circuit
5 V (ITEM-20)



12 V (ITEM-30)



GND (Black) should be shared in case that power supply for sensor circuit (Brown) and that for sensor pull-up (Yellow) are separated.

Options

Finger guards

page: p. 514

Model no.: 109-619E, 109-619H, 109-620

Plug cord

page: pp. 523 to 524

Model no.: 489-084-L10, 489-084-L21, 489-086-L10,
489-086-L21, 489-1618-L10, 489-1618-L21,
489-1618-L28, 489-1619-L10, 489-1619-L21

г.Минск www.fotorele.net www.tiristor.by email minsk@tiristor.by тел.+37541194780

Ø 172×150×51 mm

San Ace 172     

Sidecut type



General Specifications

- Material Frame: Aluminum, Impeller: Plastic (Flammability: UL 94V-1)
- Expected life See the table below. (L10 life: 90% survival rate for continuous operation in free air at 60°C, rated voltage)
- Motor structure Capacitor motor
- Motor protection function Locked rotor burnout protection, Reverse polarity protection
For details, please refer to p. 529.
- Dielectric strength 50/60 Hz, 1500 VAC, for 1 minute (between input terminal and frame)
- Insulation resistance 10 MΩ or more with a 500 VDC megger
- Sound pressure level (SPL) At 1 m away from the air inlet
- Operating voltage range Voltage of each model ±10%
- Storage temperature -30 to +70°C (Non-condensing)
- Mass 1000 g

Specifications

Model no.	Rated voltage [V]	Frequency [Hz]	Input [W]	Current [A]	Locked rotor current [A]	Rated speed [min ⁻¹]	Max. airflow [m ³ /min] [CFM]	Max. static pressure [Pa] [inchH ₂ O]	SPL [dB (A)]	Operating temperature [°C]	Expected life [h]
109S301	100	50/60	27/25	0.33/0.25	0.65/0.64	2900/3500	5.3/6.4 187.3/226.1	147/196 0.59/0.787	51/56	-30 to +60	25000/60°C
109S304	115			0.29/0.22	0.55/0.54						
109S302	200			0.16/0.13	0.33/0.32						
109S303	230			0.14/0.11	0.28/0.27						

Set Models

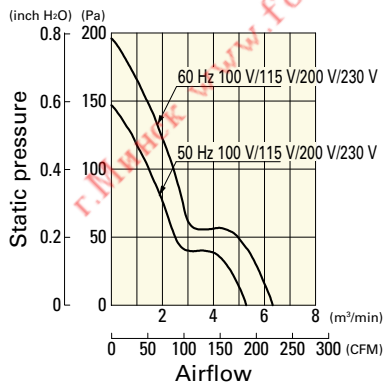
Fan, finger guard, plug cord, screws, etc. can be purchased in one package. For details, please refer to p. 574.

Order no.	Set items					
	Fan	Voltage	Low-speed sensor	Plug cord	Finger guards	Mounting screws
ST1-109S301	109S301	100 V		489-1619-L10	109-319E	M4×25 mm (4 screws)*
ST1-109S304	109S304	115 V		489-1619-L10	109-319E	
ST1-109S302	109S302	200 V		489-1619-L10	109-319E	
ST1-109S303	109S303	230 V		489-1619-L10	109-319E	

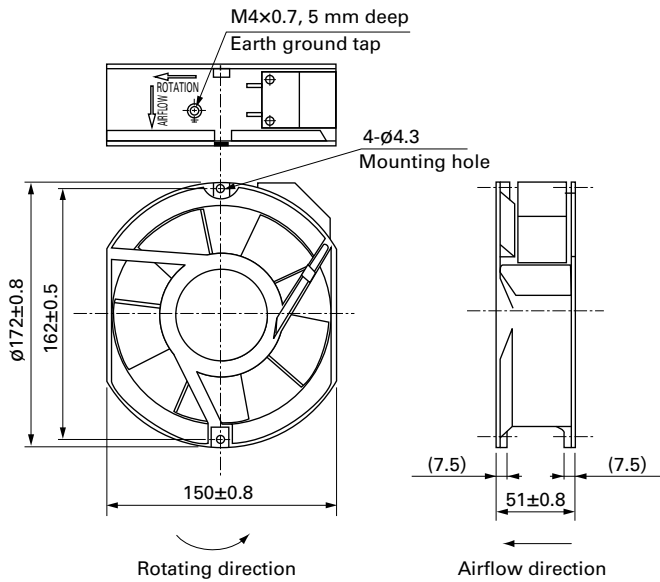
*Though these are 2-hole or 3-hole frame mount types, 4 screws are included for extra.

Airflow - Static Pressure Characteristics

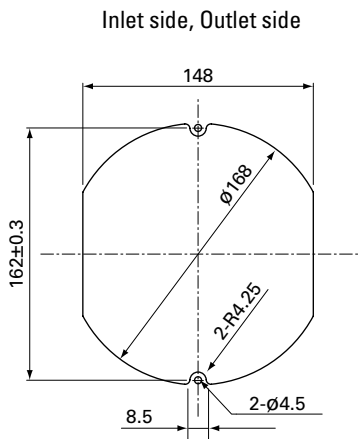
109S301, 109S304, 109S302, 109S303



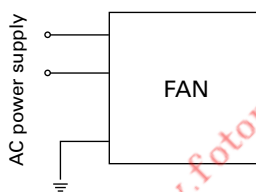
Dimensions (unit: mm)



Reference Dimensions of Mounting Holes and Vent Opening (unit: mm)



Wiring Diagram



Options

Finger guards

page: p. 515

Model no.: 109-319E, 109-319H, 109-320

Plug cord






page: pp. 523 to 524

Model no.: 489-1619-L10, 489-1619-L21, 489-084-L10, 489-084-L21

AC

AC Fan $\phi 172$ mm

Ø 172x51 mm

San Ace 172      Only standard fans (without sensors) have acquired CSA certification. Round type


General Specifications

- Material Frame: Aluminum, Impeller: Plastic (Flammability: UL 94V-1)
- Expected life See the table below. (L10 life: 90% survival rate for continuous operation in free air at 60°C, rated voltage)
- Motor structure Capacitor motor
- Motor protection function Locked rotor burnout protection, Reverse polarity protection
For details, please refer to p. 529.
- Dielectric strength 50/60 Hz, 1500 VAC, for 1 minute (between input terminal and frame)
- Dielectric strength (with sensor) Between AC input and DC input (Sensor output): 50/60 Hz 1000 VAC 1 minute
Between AC input and G: 50/60 Hz 1500 VAC 1 minute
Between G and DC input (Sensor output): 50/60 Hz 1000 VAC 1 minute
- Insulation resistance 10 MΩ or more with a 500 VDC megger
- Sound pressure level (SPL) At 1 m away from the air inlet
- Operating voltage range Voltage of each model ±10%
- Storage temperature -30 to +70°C (Non-condensing)
- Sensor-Purpose lead wire ⊕Brown ⊖Black (Sensor) Yellow
- Mass 1000 g

Specifications

Standard

Model no.	Rated voltage [V]	Frequency [Hz]	Input [W]	Current [A]	Locked rotor current [A]	Rated speed [min ⁻¹]	Max. airflow [m ³ /min] [CFM]	Max. static pressure [Pa] [inchH ₂ O]	SPL [dB (A)]	Operating temperature [°C]	Expected life [h]
109-311	100	50/60	27/25	0.33/0.25	0.65/0.64	2900/3500	5.3/6.4 187.3/226.1	147/196 0.59/0.787	47/51	-30 to +60	25000/60°C
109-314	115			0.29/0.22	0.55/0.54						
109-312	200			0.16/0.13	0.33/0.32						
109-313	230			0.14/0.11	0.28/0.27						

with Sensor

For sensor specifications, please refer to p. 531. Sensor specification differs depending on the fan's speed specification.

For a 5 V sensor power supply (ITEM-20), please append "-20" to the end of model number. E.g. 109-371-20

For a 12 V sensor power supply (ITEM-30), please append "-30" to the end of model number. E.g. 109-371-30

Model no.	Rated voltage [V]	Frequency [Hz]	Input [W]	Current [A]	Locked rotor current [A]	Rated speed [min ⁻¹]	Max. airflow [m ³ /min] [CFM]	Max. static pressure [Pa] [inchH ₂ O]	SPL [dB (A)]	Operating temperature [°C]	Expected life [h]
109-371	100	50/60	27/25	0.33/0.25	0.65/0.64	2900/3500	5.3/6.4 187.3/226.1	147/196 0.59/0.787	47/51	-10 to +60	25000/60°C
109-374	115			0.29/0.22	0.55/0.54						
109-372	200			0.16/0.13	0.33/0.32						
109-373	230			0.14/0.11	0.28/0.27						

Set Models

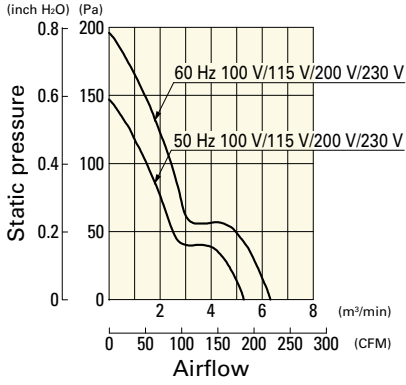
Fan, finger guard, plug cord, screws, etc. can be purchased in one package. For details, please refer to p. 574.

Order no.	Set items						Mounting screws
	Fan	Voltage	Low-speed sensor	Plug cord	Finger guards		
ST1-109-311	109-311	100 V			489-1619-L10	109-319E	M4×25 mm (4 screws)
ST1-109-314	109-314	115 V			489-1619-L10	109-319E	
ST1-109-312	109-312	200 V			489-1619-L10	109-319E	
ST1-109-313	109-313	230 V			489-1619-L10	109-319E	
ST1-109-371-20	109-371-20	100 V	○ (5 V)		489-1619-L10	109-319E	
ST1-109-371-30	109-371-30		○ (12 V)		489-1619-L10	109-319E	
ST1-109-374-20	109-374-20	115 V	○ (5 V)		489-1619-L10	109-319E	
ST1-109-374-30	109-374-30		○ (12 V)		489-1619-L10	109-319E	
ST1-109-372-20	109-372-20	200 V	○ (5 V)		489-1619-L10	109-319E	
ST1-109-372-30	109-372-30		○ (12 V)		489-1619-L10	109-319E	
ST1-109-373-20	109-373-20	230 V	○ (5 V)		489-1619-L10	109-319E	
ST1-109-373-30	109-373-30		○ (12 V)		489-1619-L10	109-319E	

Airflow - Static Pressure Characteristics

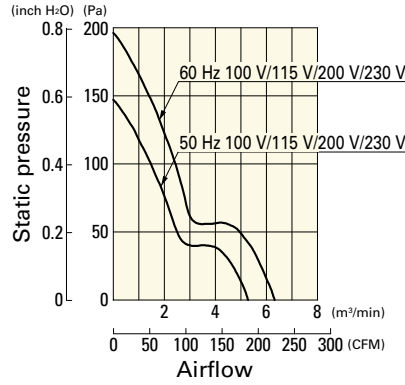
Standard

109-311, 109-314, 109-312, 109-313



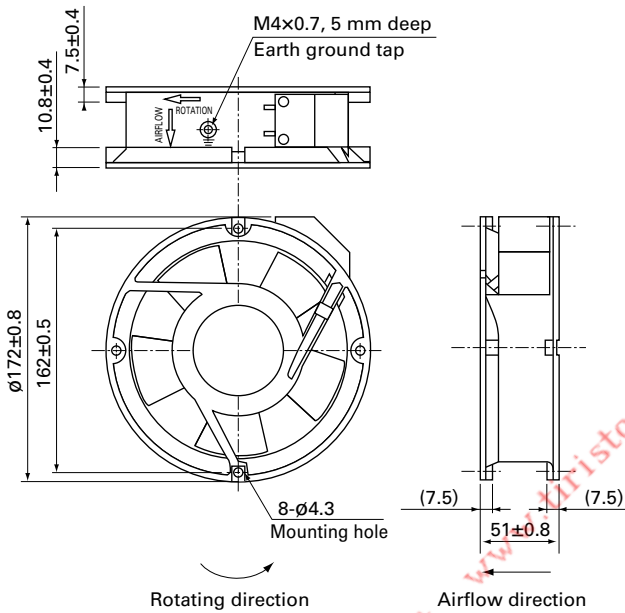
with Sensor

109-371, 109-374, 109-372, 109-373

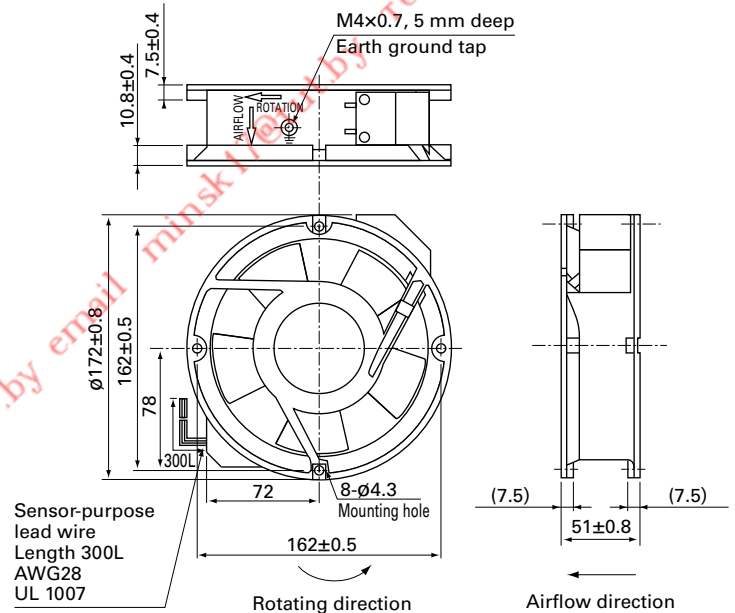


Dimensions (unit: mm)

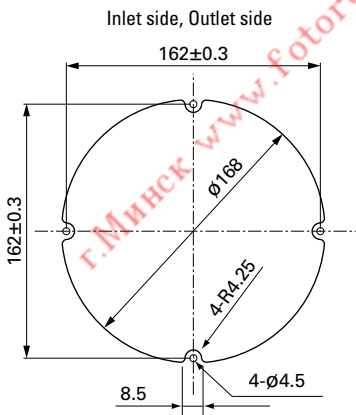
Standard



with Sensor



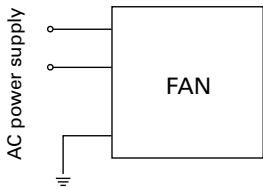
Reference Dimensions of Mounting Holes and Vent Opening (unit: mm)



AC
AC Fan \varnothing 172 mm

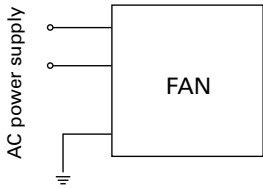
Wiring Diagram

Standard

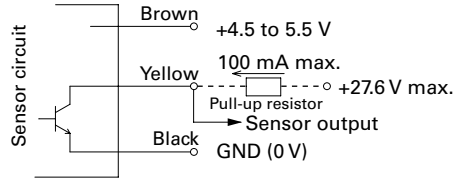


with Sensor

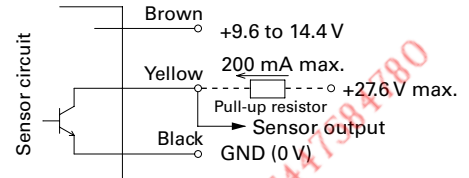
For fan power supply



For sensor circuit
5 V (ITEM-20)



12 V (ITEM-30)



GND (Black) should be shared in case that power supply for sensor circuit (Brown) and that for sensor pull-up (Yellow) are separated.

Options

Finger guards

page: p. 515

Model no.: 109-319E, 109-319H, 109-320, 109-1066,
109-1068

Plug cord

page: pp. 523 to 524

Model no.: 489-1619-L10, 489-1619-L21, 489-084-L10,
489-084-L21

г. Минск www.fotorele.net www.tiristor.by email minsk17@tut.by тел. +375447584780

AC

AC Fan №172 mm

PWM Controller

Features

Reduces system power consumption and fan noise

For PWM fan speed control, a PWM control circuit needs to be newly designed and configured.

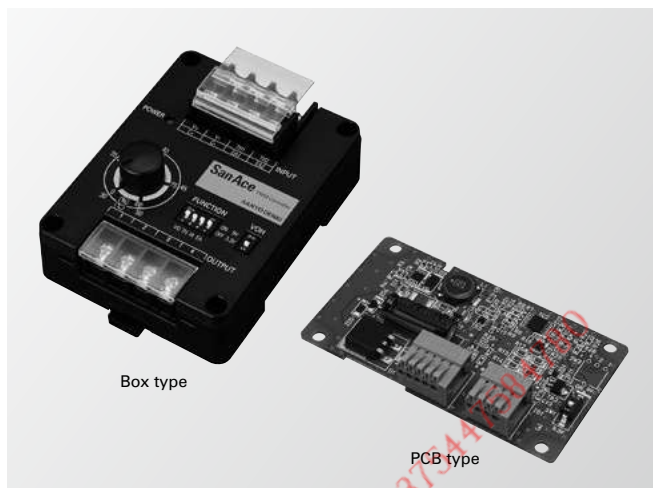
By using this product, however, PWM control function fans can be fully utilized without the need for preparing new circuits, contributing to reducing the system power consumption and the fan noise.

Can be common-powered by the fan power supply

The controller can be powered by the fan power supply of rated voltage 12, 24, and 48 VDC, and no separate supply is required.

Maximum of four fans connectable

Up to four fans with PWM control function can be connected and controlled.



Specifications

	Box type	PCB type		
Model no.	9PC8666X-S001	9PC8045D-V001	9PC8045D-R001	9PC8045D-T001
Size [mm]	86 (H)×66 (W)×38 (D)	80 (H)×45 (W)×17 (D)		
Rated voltage [V]	12/24/48			
Power consumption [W]	0.2*			
Operating temperature [°C]	-20 to +70			
Input terminal	Input voltage range [V] (V+, V-)	7 to 60		
	Control voltage range [V]	0 to 5.5		
Output terminal	PWM signal output	V _{OH} (high level voltage): 3.3 or 5 VDC selectable		
	PWM frequency [kHz]	25		
	Output current	20 mA max. (total sum of 4 terminals)		
	Output breakdown voltage [V]	6.5		
	No. of connectable fans	Up to 4 fans		
Control functions**	Voltage control, Internal adjustment (variable resistor) control, External adjustment (variable resistor) control***, Thermistor control***	Voltage control	Variable resistor control***	Thermistor control***
Mounting method	DIN rail mounting or screw mounting	Screw mounting		
Mass [g]	110	27		
Material	Case: Plastic	PCB: FR-4		

* When output terminals are turned on.

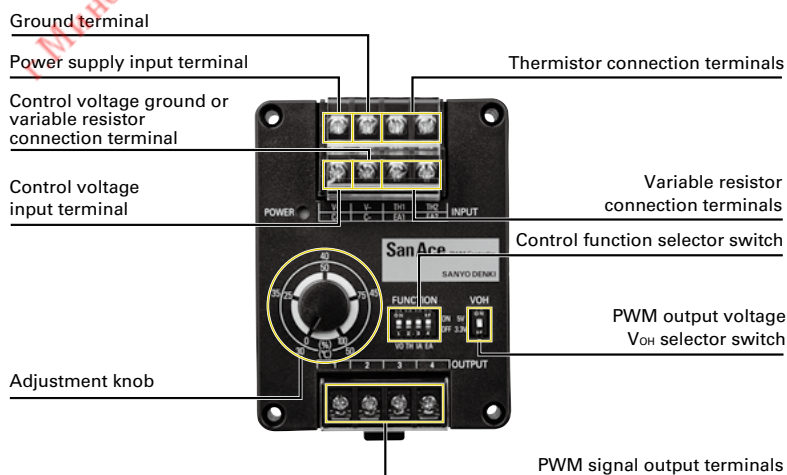
** Control functions are mutually exclusive for Box type.

*** Variable resistor and thermistor are not supplied with the controller and need to be prepared separately.

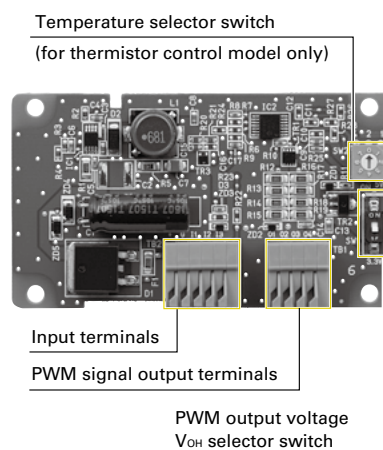
Be noted that if applied input voltage or frequency is out of range of the connected fan, how the fan speed responds to the PWM duty cycle may be altered.

Front View (component names)

Box type



PCB type



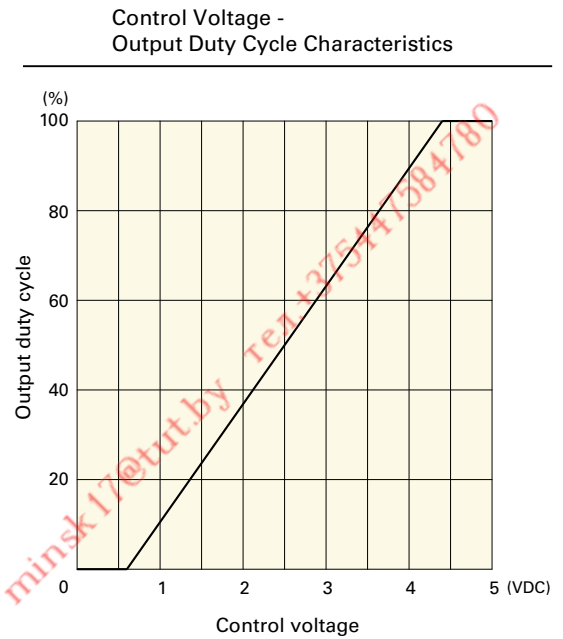
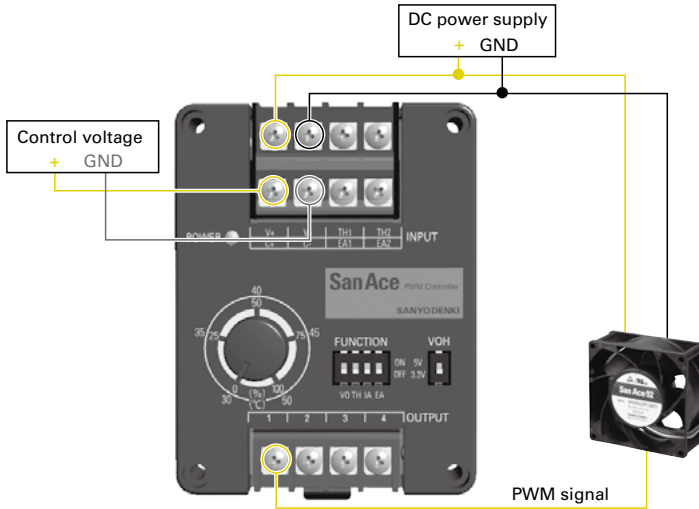
■ Connection Examples and PWM Signal Output Characteristics

Controller can be common-powered by the power supply for 12, 24, and 48 VDC rated voltage fans. It can also be powered by a separate supply as long as both supplies share the same ground.

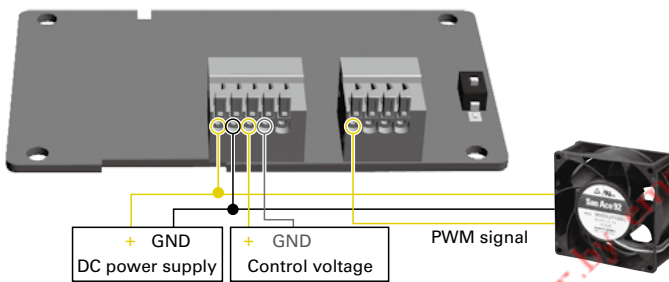
Voltage control

Output duty cycle controlled with input voltage of 0 to 5 VDC. *Ensure that the input voltage does not exceed 5.5 VDC.

- Box type



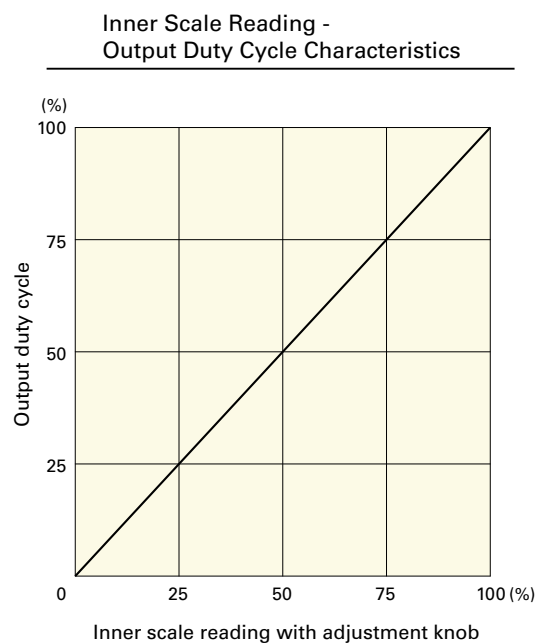
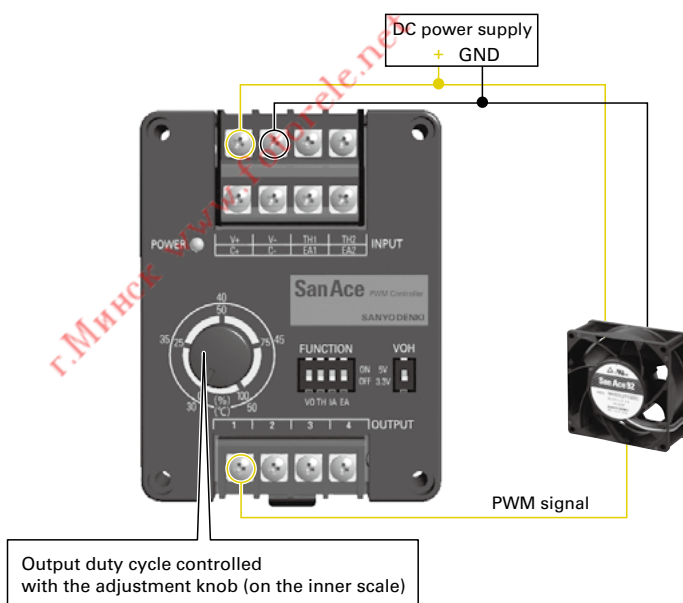
- PCB type (Model no.: 9PC8045D-V001)



Internal adjustment (variable resistor) control

Output duty cycle controlled with the adjustment knob.

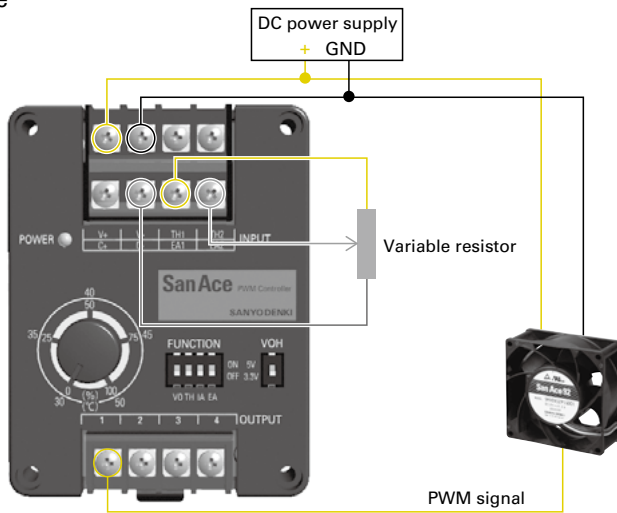
- Box type



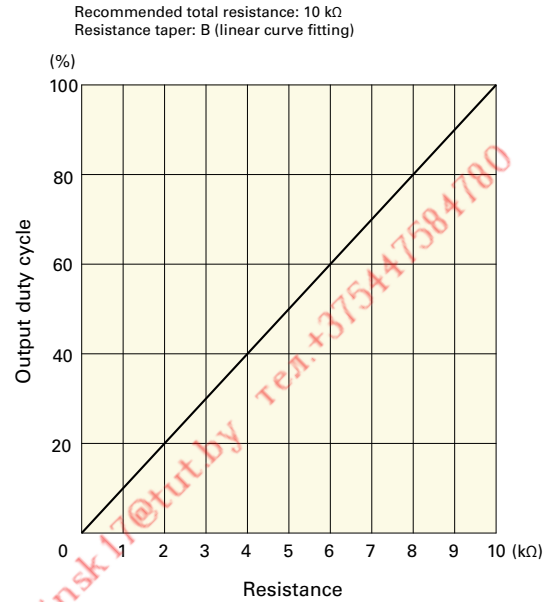
External adjustment (variable resistor) control

Output duty cycle controlled with variable resistor connected to terminals.

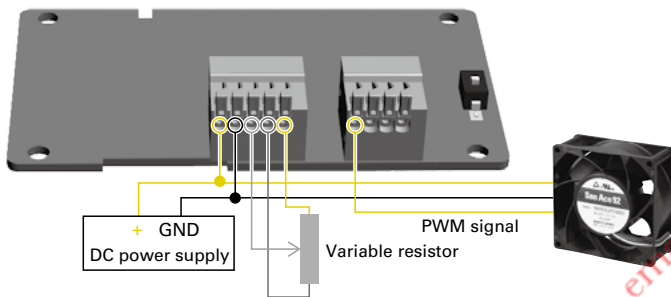
- Box type



Resistance - Output Duty Cycle Characteristics



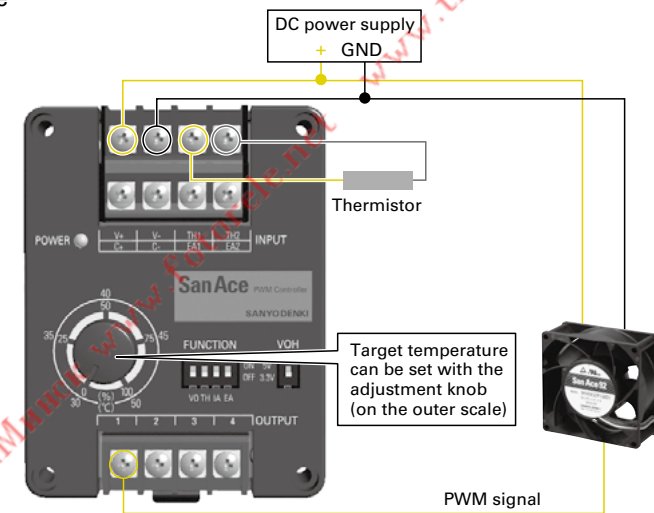
- PCB type (Model no.: 9PC8045D-R001)



Thermistor control

Automation control of output duty cycle in response to the temperature detected with an external thermistor.

- Box type

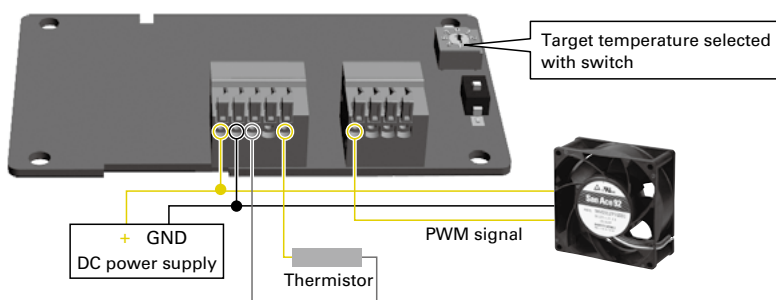


Controlling Conditions

T_{ST} : Temperature set with the adjustment knob (30 to 50°C)
 T_{TH} : Temperature detected with thermistor
 Recommended thermistor conditions
 Type: NTC
 R_{25} (Resistance at 25°C): 10 kΩ
 B value: $B_{25/85} = 3435$ K

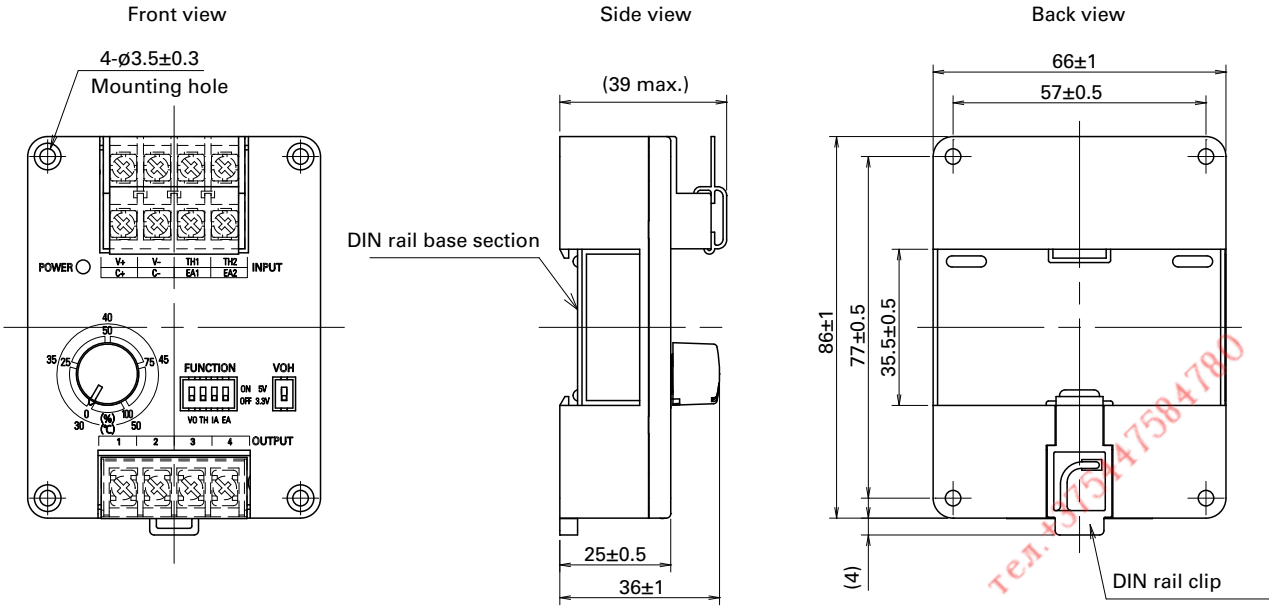
Temperature conditions	Duty cycle	Fan rotational speed (For reference)
$T_{ST} < T_{TH}$	Increases	Increases
$T_{ST} > T_{TH}$	Decreases	Decreases
$T_{ST} \approx T_{TH}$	Maintained	Maintained

- PCB type (Model no.: 9PC8045D-T001)

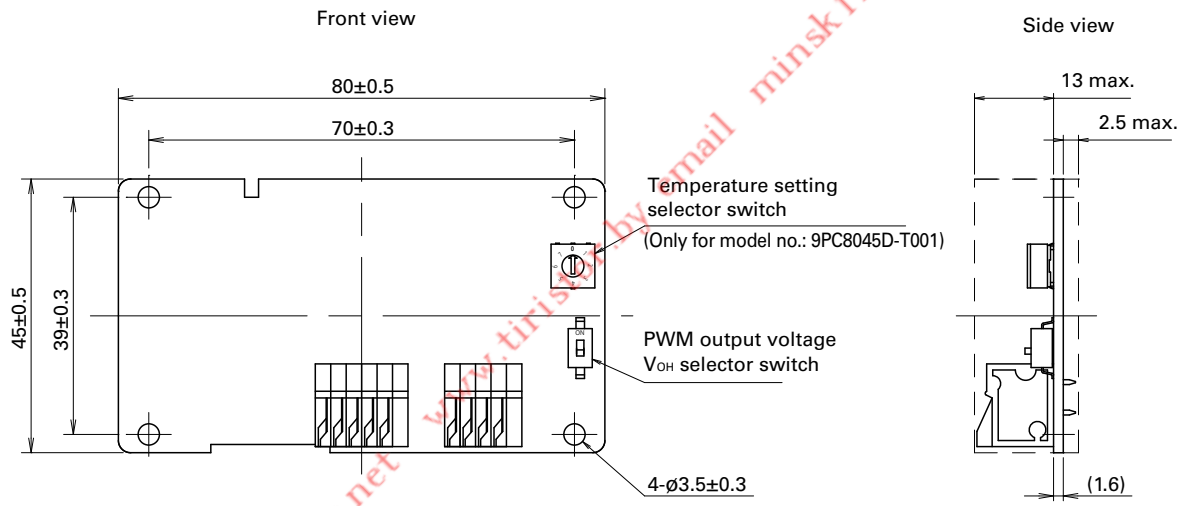


■ Dimensions (unit: mm)

● Box type



● PCB type





Safety Precautions

Box type

- To ensure that the product is used safely, be sure to read and fully understand the Safety Precautions and only use the product as directed.
- Read the Safety Precautions carefully before installing, connecting, operating, maintaining, or inspecting the product.
- The product has been designed and manufactured for use in general industrial machinery, and may not be used as a standalone product.
- The product of our company (hereafter referred to as "the product") falls into the category of the products specified in the Attached List 1, Item 16 (Class 85, Item 43) of the Export Trade Control Ordinance. To export the product as an individual part or to export a device into which the product is assembled, the "Information Requirements" and "Objective Requirements" that the Ministry of Economy, Trade and Industry established based on the "Catchall Controls" must be studied for applicability. Based on information on applicability and specified requirements, appropriate export procedures must be taken.
- When disposing of the product, treat it as industrial waste. For instructions on proper disposal methods, please contact local government authorities.
- When using the product in an environment with vibration, such as in a car or a ship, use it at your own discretion only after deploying sufficient safety measures and making prior evaluations. Fully understand the Safety Precautions described in this instruction manual before using the product.

In order to prevent any possible bodily injury or damage to property or equipment, the following precautions for ensuring safety are displayed according to the following two ranks of importance:

 Danger	Handling or using the product improperly and in disregard of the instructions with this mark may result in serious bodily injury or death.
 Caution	Handling or using the product improperly and in disregard of the instructions with this mark may result in bodily injury or physical damage.

* Items marked 'Caution' may also result in serious bodily injury or death in some circumstances. Always follow the instructions for items marked 'Danger.'

Danger

- If the product is used in medical appliances or other types of equipment that affect people's lives, sufficient safety-related evaluations and preparations must be made in advance, and the product or the type of equipment into which the product is assembled must be used under the full responsibility of the user.
- If the product is used in types of equipment that have a strong social and public impact, sufficient prior evaluations and safety-related evaluations and preparations must be made, and the product or the type of equipment into which the product is assembled must be used under the full responsibility of the user.
- The product is not designed to be used in a car or a ship. When using the product in an environment with vibration, such as in a car or a ship, use it at your own discretion only after deploying sufficient safety measures and making prior evaluations.
- Connect all wires properly and securely. Failure to do so may result in fire, burns, or electrical shock.
- Do not use the product in a location where there is flammable gas. Otherwise, it may result in fire, burns, or bodily injury.
- Do not operate the product when electronic components are exposed. Otherwise, it may result in electrical shock.
- Turn off the power and stop using the product immediately if you notice any sparks, smoke, odd odors, sounds, or anything unusual during operation. Failure to do so may result in fire, bodily injury, or electrical shock.
- Never allow the product to fall, topple over, or otherwise be subjected to excessive shocks when moving it. Otherwise, it may result in product failure.
- The product should be handled only by personnel with sufficient training and knowledge and under the full responsibility of the user.
- Never attempt to disassemble, repair, or alter the product in any way, as doing so may result in fire, burns, or electrical shock.

Caution

Handling

- Installation, placement, connections, wiring, or relocation of the product should be performed by knowledgeable or correctly licensed personnel. Never perform such work while the product is on. Failure to do so may result in bodily injury, fire, burns, or electrical shock.
- Never allow yourself to come into contact with the ends of wires or plugs when measuring insulation resistance or dielectric strength voltage. Otherwise, it may result in electrical shock.
- Never attempt to disassemble or alter the product in any way. Doing so may invalidate any warranties concerning the functions or performance of the product, and may also result in fire, burns, bodily injury, or electrical shock.

Instruction

- Take measures to protect the device from potential damage caused by the product stopping during operation.
- Never use the product at voltages, temperatures, or any other settings which exceed those given in the product specifications. Otherwise, it may result in substandard operation, failure, fire, bodily injury, or electrical shock.
- Never remove the product nameplate or install the product so that the identification cannot be seen after installation. Otherwise, it may result in the product being improperly used, and subsequently result in fires.
- Do not turn the power supply ON/OFF on a ground wire. Otherwise, it may result in product failure.
- Do not apply excessive force to the product while it is operating. Otherwise, it may result in product failure.
- If you install and use the product in a car or a ship, we shall not be responsible for any faults caused by the environment of the car or ship in which the product is installed.

Installation

- When fixing the product into place, be sure to take into consideration the product's weight and all other relevant factors. Failure to do so may result in the product or its parts falling, resulting in bodily injury or device failure.
- Never install or remove the product while it is wired.
- When fixing the product with screws, ensure correct tightening torque. If the tightening torque is over the recommended values, the product structure may deform or break.
- Take proper precautions against static electricity when making electrical connections. Failure to do so may result in device or product failure.
- Make electrical connections properly. Failure to do so may result in device failure, product failure, or product malfunction.
- Ensure that wires are fitted with insulation to prevent accidental short-circuiting. Failure to do so may result in device failure, product failure, or product malfunction.

Operating environment

- Do not use or store the product where it is exposed to flammable or corrosive gas, water or oil splashes, dust or humidity, condensation, radioactive rays or direct sunlight, salty air or saltwater, or where the product may be contaminated by corrosive materials such as sulfurous water, sulfurous volcanic ash, organic solvents, acidic chemicals, alkali chemicals, nuclear fuel materials, or other hazardous substances. If it is used or stored in such places or environments, there is the possibility that a fire may occur, the product may malfunction or its performance may deteriorate.
- Do not use or store the product in locations and environments where it could be constantly exposed to vibrations, strong shocks, magnetic or electromagnetic noise, or in which electromagnetic noise overlaps into power voltage. Otherwise, it may result in product failure.
- Do not use or store the product in environments subject to sudden changes in temperature and humidity. Otherwise, it may result in product failure.



Maintenance

- Only certified personnel with sufficient training and knowledge should perform maintenance and inspections. Otherwise, it may result in fire, burns, bodily injury, or electrical shock.
- Perform maintenance or inspections while the product is off. Otherwise, it may result in fire, burns, bodily injury, or electrical shock.
- Never use gasoline, paint thinner, benzene, or any other organic solvents to clean the product. Otherwise, it may result in product deformation or substandard operation.

PCB type

- To ensure that the product is used safely, be sure to read and fully understand the Safety Precautions and only use the product as directed.
- Read the Safety Precautions carefully before installing, connecting, operating, maintaining, or inspecting the product.
- The product has been designed and manufactured for use in general industrial machinery, and may not be used as a standalone product.
- The product of our company (hereafter referred to as "the product") falls into the category of the products specified in the Attached List 1, Item 16 (Class 85, Item 43) of the Export Trade Control Ordinance. To export the product as an individual part or to export a product into which the product is assembled, the "Information Requirements" and "Objective Requirements" that the Ministry of Economy, Trade and Industry established based on the "Catchall Controls" must be studied for applicability. Based on information on applicability and specified requirements, appropriate export formalities must be performed.
- When disposing of the product, treat it as industrial waste. For instructions on proper disposal methods, please contact local government authorities.
- When using the product in an environment with vibration, such as in a car or a ship, use it at your own discretion only after deploying sufficient safety measures and making prior evaluations. Fully understand the Safety Precautions described in this instruction manual before using the product.

In order to prevent any possible bodily injury or damage to property or equipment, the following precautions for ensuring safety are displayed according to the following two ranks of importance:

 Danger	Handling or using the product improperly and in disregard of the instructions with this mark may result in serious bodily injury or death.
 Caution	Handling or using the product improperly and in disregard of the instructions with this mark may result in bodily injury or physical damage.

* Items marked 'Caution' may also result in serious bodily injury or death in some circumstances. Always follow the instructions for items marked 'Danger.'

Danger

- If the product is used in medical appliances or other types of equipment that affect people's lives, sufficient safety-related evaluations and preparations must be made in advance, and the product or the type of equipment into which the product is assembled must be used under the full responsibility of the user.
- If the product is used in types of equipment that have a strong social and public impact, sufficient prior evaluations and safety-related evaluations and preparations must be made, and the product or the type of equipment into which the product is assembled must be used under the full responsibility of the user.
- The product is not designed to be used in a car or a ship. When using the product in an environment with vibration, such as in a car or a ship, use it at your own discretion only after deploying sufficient safety measures and making prior evaluations.
- Connect all wires properly and securely. Failure to do so may result in fire, burns, or electrical shock.
- Do not use this product in a location where there is flammable gas. Otherwise, it may result in fire, burns, or bodily injury.
- Only use the product integrated with another device or system. Failure to do so may result in burns or electrical shock.
- Do not touch the product while it is operating. Otherwise, it may result in burns or electrical shock.
- Turn off the power and stop using the product immediately if you notice any sparks, smoke, odd odors, sounds, or anything unusual during operation. Failure to do so may result in fire, bodily injury, or electrical shock.
- Never allow the product to fall, topple over, or otherwise be subjected to excessive shocks when moving it. Otherwise, it may result in product failure.
- The product should be handled only by personnel with sufficient training and knowledge and under the full responsibility of the user.
- Never attempt to disassemble, repair, or alter the product in any way. Failure to do so may result in fire, bodily injury, or electrical shock.

Caution

Handling

- Discharge static electricity from your body before handling the product. In addition, avoid packaging or covering the product with materials which generate static electricity. Contact with static electricity may result in product failure.
- Do not touch solder joints or pins. Otherwise, it may result in bodily injury.
- Installation, placement, connections, wiring, or relocation of the product should be performed by knowledgeable or correctly licensed personnel. Never perform such work while the product is on. Failure to do so may result in bodily injury, fire, burns, or electrical shock.
- Never allow yourself to come into contact with the ends of wires or plugs when measuring insulation resistance or dielectric strength voltage. Otherwise, it may result in electrical shock.
- Never attempt to disassemble or alter the product in any way. Doing so may invalidate any warranties concerning the functions or performance of the product, and may also result in fire, burns, bodily injury, or electrical shock.

Instruction

- Do not touch the product for a period after the power has been turned off as it may still be hot. Otherwise, it may result in burns.
- Take measures to protect the device from potential damage caused by the product stopping during operation.
- Never use the product at voltages, temperatures, or any other settings which exceed those given in the product specifications. Otherwise, it may result in substandard operation, failure, fire, bodily injury, or electrical shock.
- Never remove the product nameplate or install the product so that the identification cannot be seen after installation. Otherwise, it may result in the product being improperly used, and subsequently result in fires.
- Do not turn the power supply ON/OFF on a ground wire. Otherwise, it may result in product failure.
- Do not apply excessive force to the product while it is operating. Otherwise, it may result in product failure.
- If you install and use the product in a car or a ship, we shall not be responsible for any faults caused by the environment of the car or ship in which the product is installed.

Installation

- When fixing the product into place, be sure to take into consideration the product's weight and all other relevant factors. Failure to do so may result in the product or its parts falling, resulting in bodily injury or device failure.
- Never install or remove the product while it is wired.
- When fixing the product with screws, ensure correct tightening torque. If the tightening torque is over the recommended values, the product structure may deform or break.
- Install the product carefully without touching conductors or other electrical components. Touching these components may result in device failure, product failure, or product malfunction.
- Take proper precautions against static electricity when making electrical connections. Failure to do so may result in device or product failure.
- Make electrical connections properly. Failure to do so may result in device failure, product failure, or product malfunction.
- Ensure that wires are not allowed to short-circuit. Failure to do so may result in device failure, product failure, or product malfunction.

Operating environment

- Do not use or store the product where it is exposed to flammable or corrosive gas, water or oil splashes, dust or humidity, condensation, radioactive rays or direct sunlight, salty air or saltwater, or where the product may be contaminated by corrosive materials such as sulfurous water, sulfurous volcanic ash, organic solvents, acidic chemicals, alkali chemicals, nuclear fuel materials, or other hazardous substances. If it is used or stored in such places or environments, there is the possibility that a fire may occur, the product may malfunction or its performance may deteriorate.
- Do not use or store the product in locations and environments where it could be constantly exposed to vibrations, strong shocks, magnetic or electromagnetic noise, or in which electromagnetic noise overlaps into power voltage. Otherwise, it may result in product failure.
- Do not use or store the product in environments subject to sudden changes in temperature and humidity. Otherwise, it may result in product failure.

Maintenance

- Only certified personnel with sufficient training and knowledge should perform maintenance and inspections. Otherwise, it may result in fire, burns, bodily injury, or electrical shock.
- Perform maintenance or inspections while the product is off. Otherwise, it may result in fire, burns, bodily injury, or electrical shock.
- Never use gasoline, paint thinner, benzene, or any other organic solvents to clean the product. Otherwise, it may result in product deformation or substandard operation.

Airflow Tester

Features (Patented as a movable measurement device for measuring device airflow and system impedance)

Enables the selection of the optimal fan for a device

An optimal fan for a device can be selected by entering accurate measurement results into thermal design simulation software.

Compact and lightweight

With a compact design and weight of approximately 6 kg, it is portable enough to measure immobile equipment.

Measurement Functions

- System Impedance Measurement of the resistance to the flow of air within a device
- Operating Airflow Measurement of the actual airflow that passes through a device when a fan is mounted
- P-Q Performance Measurement of airflow versus static pressure characteristics*

* Performance curve that illustrates the characteristics of a fan for use within a certain system.

It shows the relationship between airflow and static pressure.



Specifications

Model no.		9AT2560S-000□*	9AT2560A-000□*	9AT2560C-000□*
Measurement units	Airflow	m ³ /min	CFM	CFM
	Static pressure	Pa	inchH ₂ O	Pa
Measurement range	Airflow	0.20 to 8.00 m ³ /min	7 to 282 CFM	7 to 282 CFM
	Static pressure	0 to 1000 Pa	0 to 4.01 inchH ₂ O	0 to 1000 Pa
Measurement accuracy	Airflow	±7% of maximum measurable airflow with each nozzle		
	Static pressure	±10 Pa (0.04 inchH ₂ O) for measurement results < 200 Pa, ±50 Pa (0.20 inchH ₂ O) for measurement results ≥ 200 Pa		
Operating environment	Ambient temperature	0 to 40°C		
	Humidity	20 to 85% RH (non-condensing)		
Display	Data no., Measurement values (airflow, static pressure**), Measurement status, Nozzle selection, Measurement mode selection			
Interface	Digital output: Included USB serial adapter			
Power supply	Input voltage	100 to 240 VAC, 50/60 Hz		
	Power consumption	260 VA max.		
Dimensions	600 (W)×250 (H)×250 (D) mm			
Mass	Main unit: Approx. 6 kg, Connection duct (including board holder): Approx. 1.5 kg			
Included peripherals	1 Set of measurement nozzles, Plastic mounting board (5 pcs / set), Connection duct, AC power cable (2.5 m), USB serial adapter, Instruction manual, Quick start guide, Data viewer software			

* The AC power plug shape differs with the number in □ of model numbers.

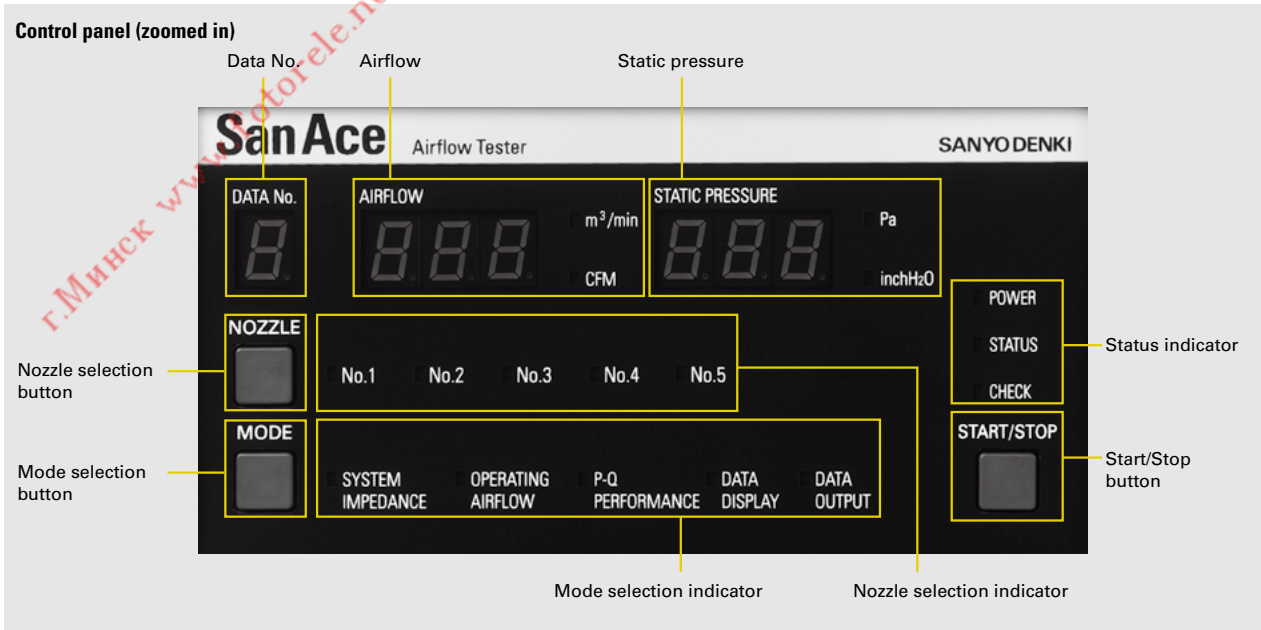
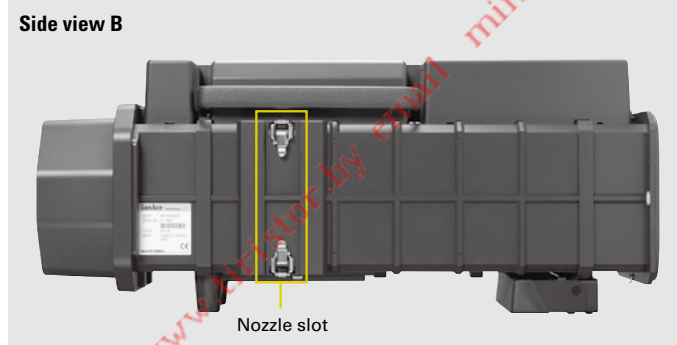
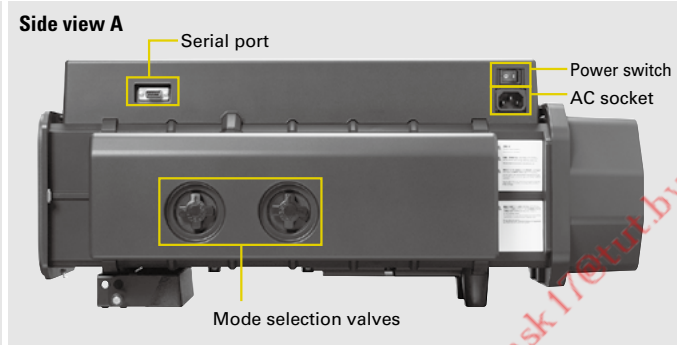
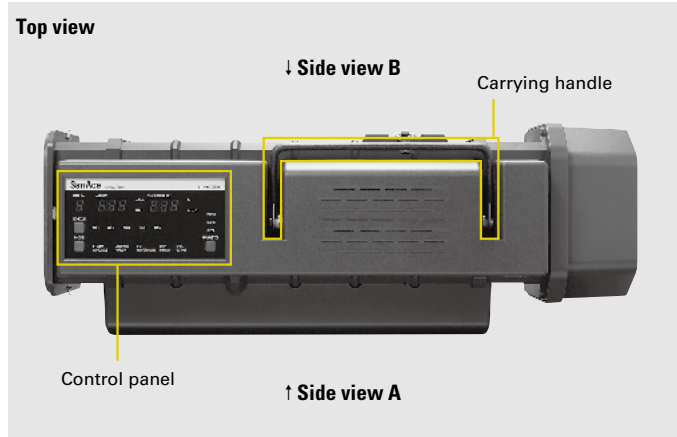
AC power plug included in models with 1 in □ is for Japan and North America regions (2 parallel flat pins + a round grounding pin), Input voltage: 100/120 VAC, 50/60 Hz

AC power plug included in models with 2 in □ is for Europe region (2 round pins + a female grounding contact), Input voltage: 220 VAC, 50 Hz

AC power plug included in models with 3 in □ is for China region (2 angled flat pins + a flat grounding pin), Input voltage: 220 VAC, 50 Hz

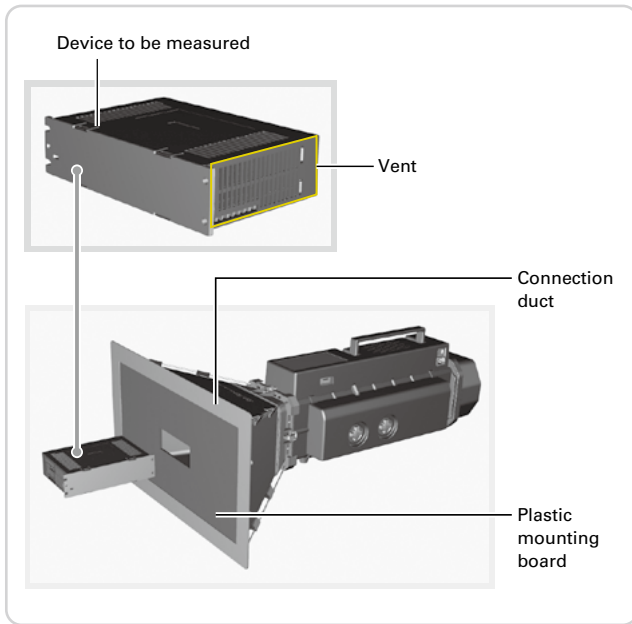
Product also available without an AC power cable. Model no. 9AT2560S-0000, 9AT2560A-0000, 9AT2560C-0000

** Static pressure values are calculated with standard atmosphere as 1013 hPa at 20°C.



Usage Examples

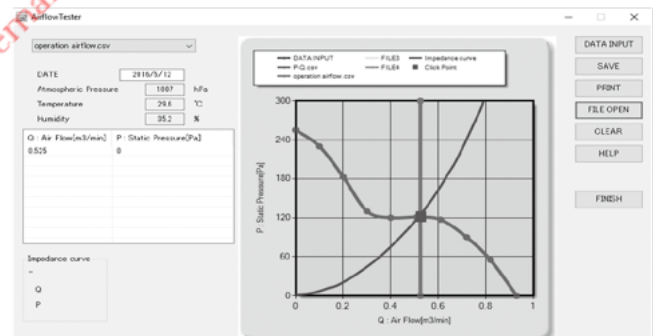
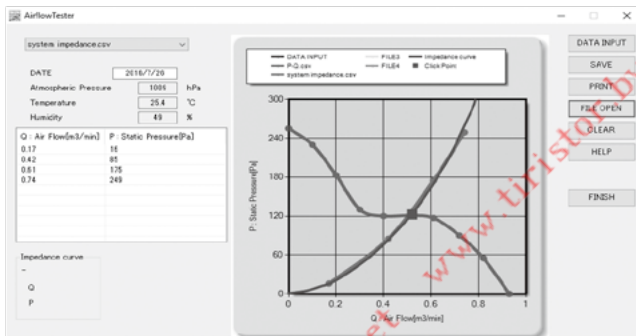
Cut out a hole in the mounting board matching the vent opening of the device to be measured, and place the mounting board firmly against the device to perform measurements.



Data Viewer Software (included)

Obtained measurement data can be represented as a graph and saved on a PC.

Screen examples P-Q performance shown below based on catalog data.



Option

Carrying case Measurement nozzle case included

Model no.	9AT2560-B001 Please add "CS" to the end of the model no. of Airflow Tester in page 1 when ordering Airflow Tester and carrying case as a set. e.g. 9AT2560S-0001CS
Dimensions	705 (W)×385 (H)×415 (D) mm

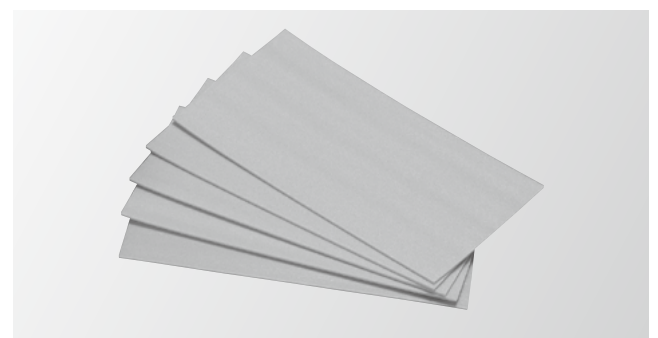


Carrying case, measurement nozzle case

Plastic mounting boards

Sized to fit the duct frame. Five boards included with Airflow Tester.

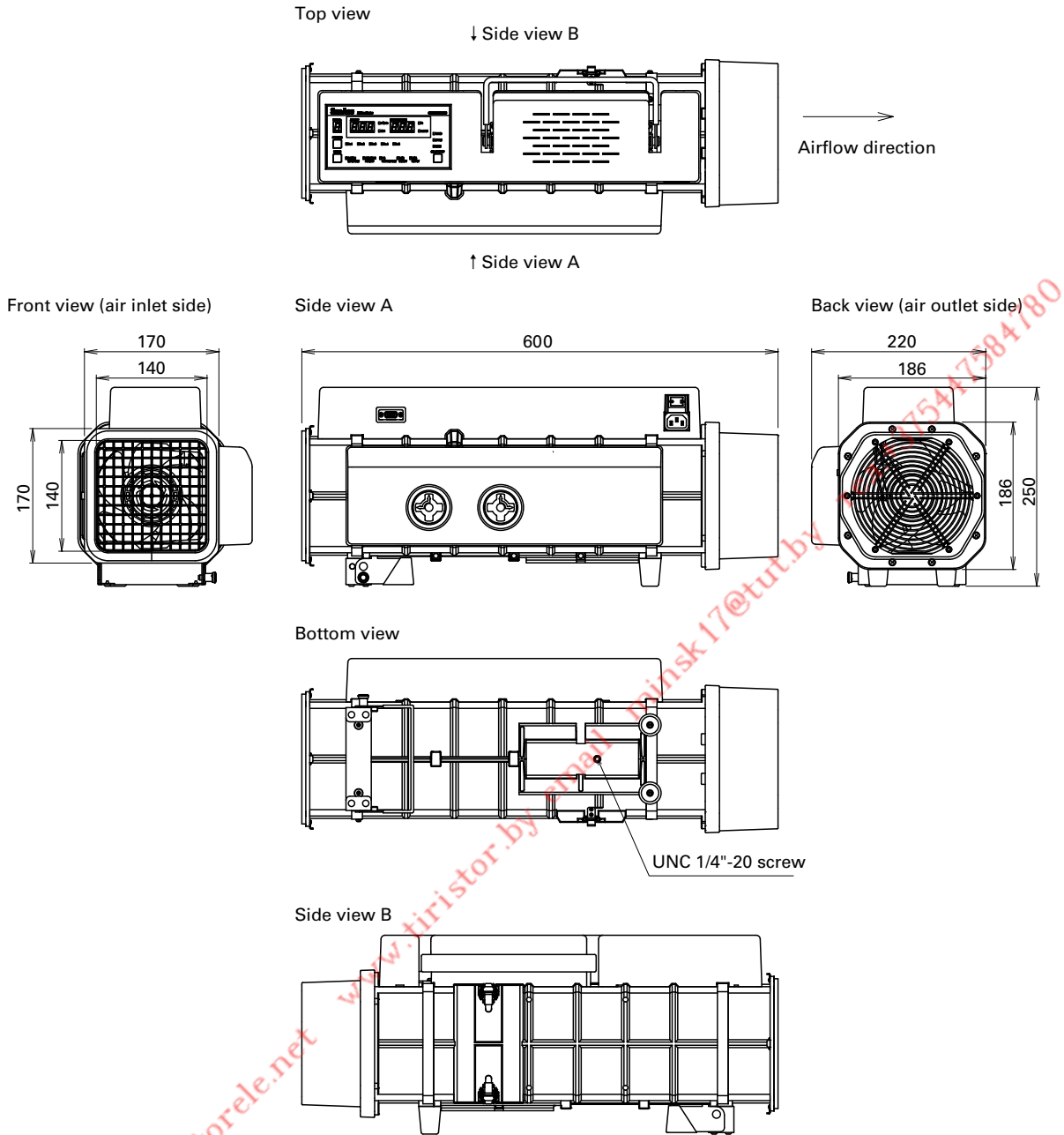
Model no.	9AT2560-P001
Quantity	5 pcs / set
Dimensions	525 (W)×275 (H)×4 (D) mm



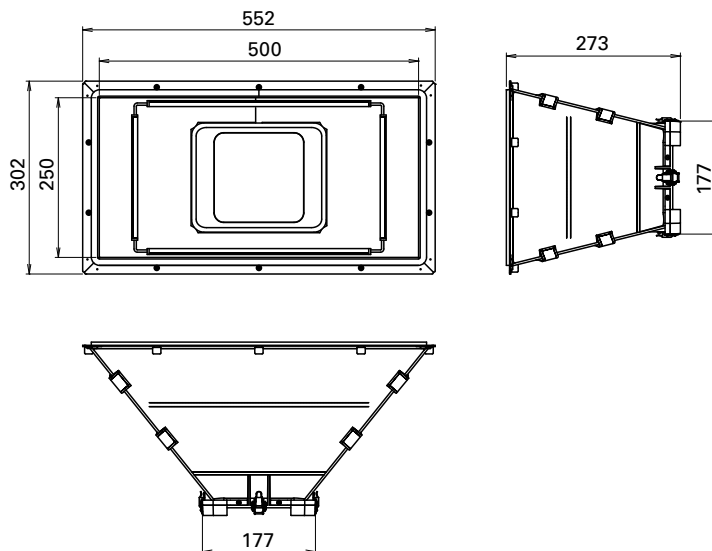
Plastic mounting boards (5 pcs)

■ Dimensions (unit: mm)

● Main unit



● Connection duct





Safety Precautions

Please read the instruction manual and its appendix carefully prior to installation, operation, maintenance or inspection and perform all tasks according to the instructions provided here.

A good understanding of this equipment, its safety information as well as all Warnings/Cautions is also necessary prior to operation.



Matters that require attention are ranked as "Danger", "Warning", and "Caution" in this document.

Warning symbols

 Warning	Denotes immediate hazards which could cause severe bodily injury or death as a result of incorrect operation.
 Caution	Denotes hazards which could cause bodily injury and product or property damage as a result of incorrect operation.

Caution Even those hazards denoted by this symbol could lead to a serious accident. Make sure to strictly follow these safety precautions.

Prohibited, mandatory symbols

	Indicates actions that must not be allowed to occur / prohibited actions.
	Indicates actions that must be carried out / mandatory actions.

Warning

Operating precautions

- Avoid using the product in the presence of flammable, explosive, or corrosive gases, locations subjected to splashing water or oil, or near combustibles. Otherwise, it may result in electric shock, bodily injury, fire, product failure, or damage.
- Turn off the power before performing any wiring, maintenance, or inspection. Once the power is off, remove the AC power cable, and confirm that the POWER LED is off before performing these tasks. Failure to do so may result in electric shock.
- Operate the product with dry hands. Failure to do so may result in electric shock.
- Never attempt to disassemble or alter the product in any way. Otherwise, it may result in electric shock, bodily injury, fire, product failure, or damage.
- Do not damage the AC power cable. Otherwise, it may result in electric shock, bodily injury, fire, product failure, or damage.
- If the product emits unusual noise, odors, or smoke, or if water or other liquids enter the product, immediately turn off the power and disconnect the power cable. Otherwise, it may result in electric shock, bodily injury, fire, product failure, or damage.
- Read the instruction manual carefully prior to using the product. Failure to do so may result in electric shock, bodily injury, fire, product failure, or damage.
- Always use the supplied AC power cable if included. Using an AC power cable with inappropriate ratings may result in electric shock, bodily injury, fire, product failure, or damage.
- If an AC power cable is not included, please prepare a cable matching the specifications listed in section 9.2 "Specifications" of Instruction Manual. Using an AC power cable with inappropriate ratings may result in electric shock, bodily injury, fire, product failure, or damage.
- Prior to turning on the power, be sure to ground the product by connecting it to a grounded outlet. Insufficient grounding may result in electric shock, bodily injury, fire, product failure, or damage.

Caution

Operating precautions

- Avoid using the product near bodies of salt water or other locations susceptible to salt damage. Otherwise, it may result in product failure or damage caused by salt.
- Due to the internal power supply, certain sections of the product may experience an elevation in temperature that may cause a burn or bodily injury.
- Do not use the product outside its specifications. Otherwise, it may result in electric shock, bodily injury, fire, product failure, or damage.
- Do not use the product if it is defective, damaged, or burnt out. Otherwise, it may result in electric shock, bodily injury, or fire.
- When not using the product, turn off the power and unplug the AC power cable. Failure to do so may result in electric shock, bodily injury, fire, product failure, or damage.

Transportation

- Excess stacking may cause the load to collapse so follow the directions written on the outside box. Failure to do so may result in bodily injury or damage.
- Handle the product with care during transportation, as it is dangerous if dropped. Failure to do so may result in bodily injury.
- The product is heavy so handle with care. Failure to do so may result in bodily injury.

Handling

- Do not apply excessive stress or place heavy objects on the product. Otherwise, it may result in electric shock, bodily injury, product failure, or damage.
- Transport the product using the carrying handle. Failure to do so may result in bodily injury, product failure, or damage.
- Do not drop the product or subject it to excessive shock of any kind. Otherwise, it may result in product failure or damage.
- If the connection duct or tripod is attached to the main unit, make sure it does not tip over or drop while moving. Otherwise, it may result in bodily injury, product failure, or damage.
- Only use the product as specified in this instruction manual. Failure to do so may result in product failure or damage.
- Make sure that the intake and exhaust vents are free of debris and foreign matter. Otherwise, it may result in bodily injury, product failure, or damage.
- Mount the product on incombustible material below 60°C. Failure to do so may result in fire, product failure, or damage.

Connecting the AC power cable

- Connect the AC power cable as instructed by the instruction manual. Failure to do so may result in electric shock, bodily injury, fire, product failure, or damage.

Operation

- Operate the product within the specified input-power voltage to maintain stability. Otherwise, it may result in electric shock, bodily injury, fire, product failure, or damage.
- The auxiliary fan rotates during operation. Make sure that the intake and exhaust vents are free of debris and foreign matter.
- Keep hands away from the exhaust vent. Failure to do so may result in bodily injury, fire, product failure, or damage.

Maintenance and inspection

- Some parts of the product (fan motor, gasket, electrolytic condenser, sensor, LED, switches) can deteriorate with long-term use. As preventive maintenance, perform periodic maintenance and inspection to maintain measuring accuracy. For details on maintenance, inspection, and repair, please contact SANYO DENKI. Disassembly is not to be performed by the end-user. Disassembly may result in electric shock, bodily injury, fire, malfunction, product failure, or damage.

Prohibited

Handling

- Do not scratch the connection duct with sharp objects as it may tear or damage the material.

Operation

- Applying voltage outside the input voltage range may result in electric shock, bodily injury, fire, product failure, or damage. Never use voltages outside of specification.
- Keep the USB serial adapter away from static electricity and high voltage. Failure to do so may result in failure or damage.
- Do not use a polarized grounding adapter with the product. Otherwise, it may result in electric shock, bodily injury, fire, product failure, or damage.

Storage

- Do not store the product where it could be exposed to rain, water, toxic gases, or other liquids. Failure to do so may result in product failure or damage.

Maintenance and inspection

- Do not perform disassembly, inspection, or repairs. Otherwise, it may result in electric shock, bodily injury, fire, product failure, or damage.
- Do not measure the insulation resistance or the pressure resistance. Otherwise, it may result in product failure or damage.
- Never unplug the AC power cable while the power is on as the resulting surge voltage may damage electronic components. Otherwise, it may result in electric shock, bodily injury, or fire.
- Do not remove the nameplate attached to the product. Doing so voids the warranty.
- Do not wipe the product with benzene, paint thinner, or other solvents. Otherwise, it may result in deformation, deterioration, discoloration, product failure, or damage.

Mandatory

Operation

- In the case of any irregular operation, stop the device immediately. Otherwise, it may result in electric shock, bodily injury, fire, product failure, or damage.
- As a provisional measure, ensure that the power can be turned off at any time. Inability to turn off the power may result in electric shock, bodily injury, fire, product failure, or damage.
- If an error occurs, eliminate the cause and ensure safety before resuming.
- Use the product within the specified temperature and humidity range. Failure to do so may result in product failure or damage.
Temperature: 0°C to 40°C / Humidity 20 to 85% RH (non-condensing)
- Be sure to use the supplied AC power cable to prevent electric shock, bodily injury, fire, product failure, or damage.
- Be sure to prepare a cable matching the ratings listed in section 9.2 "Specifications" of Instruction Manual to prevent electric shock, bodily injury, fire, product failure, or damage.
- Prior to turning on the power, be sure to ground the product by connecting it to a grounded outlet to prevent electric shock, bodily injury, fire, product failure, or damage.

Storage

- Store the product in a location that is not exposed to direct sunlight, at a temperature and humidity within specifications. Failure to do so may result in product failure.
- If the product has been stored for a long period, contact SANYO DENKI. There is the possibility that components may have deteriorated and require maintenance.

Disposal

- When disposing of the product, treat it as industrial waste.

Cooling Fan Units CUSTOMIZED PRODUCTS

Features

DC AC

We provide assembled fan units in accordance with the specification or requirements of the equipment. For use in communications equipment, servers, storage systems.

Example



Electrolytic Corrosion Proof Fans CUSTOMIZED PRODUCTS → p. 535

Features

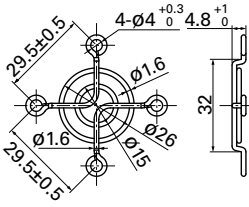
DC AC

This cooling fan prevents electrolytic corrosion of bearings even under conditions where electromagnetic noise is generated. Electrolytic corrosion of ball bearings is prevented by using ceramic balls in ball bearings. The ceramic material is an insulating material. Manufacturable to meet specifications of all San Ace series fans.

36 mm sq. type

Model no.	Surface treatment	Mass (g)
109-1050	Nickel-chrome plating (silver)	4

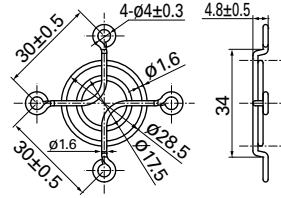
Inlet side, Outlet side



38 mm sq. type

Model no.	Surface treatment	Mass (g)
109-1065	Nickel-chrome plating (silver)	5

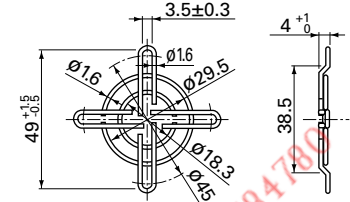
Inlet side, Outlet side



40 mm sq. type

Model no.	Surface treatment	Mass (g)
109-059	Nickel-chrome plating (silver)	7
109-059H	Cation electropainting (black)	

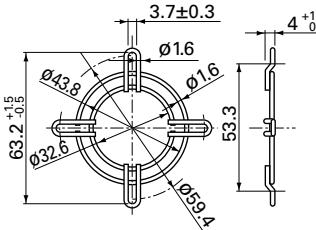
Inlet side, Outlet side



52 mm sq. type

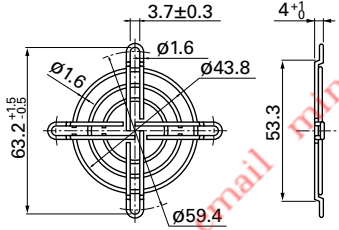
Model no.	Surface treatment	Mass (g)
109-149	Nickel-chrome plating (silver)	7

Outlet side



Model no.	Surface treatment	Mass (g)
109-149E	Nickel-chrome plating (silver)	9

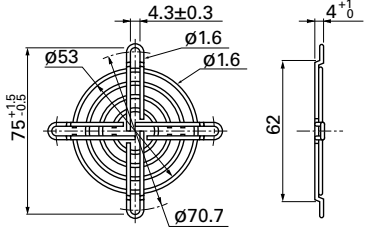
Inlet side, Outlet side



60 mm sq. type

Model no.	Surface treatment	Mass (g)
109-139E	Nickel-chrome plating (silver)	14.5
109-139H	Cation electropainting (black)	

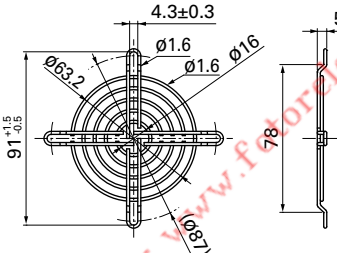
Inlet side, Outlet side



70 mm sq. type

Model no.	Surface treatment	Mass (g)
109-1128	Nickel-chrome plating (silver)	17

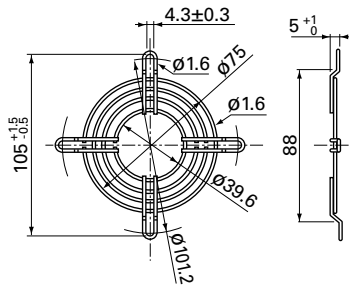
Inlet side, Outlet side



80 mm sq. type

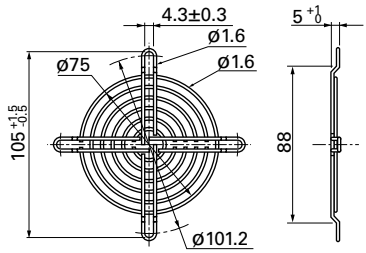
Model no.	Surface treatment	Mass (g)
109-049C	Nickel-chrome plating (silver)	17

Outlet side



Model no.	Surface treatment	Mass (g)
109-049E	Nickel-chrome plating (silver)	21
109-049H	Cation electropainting (black)	

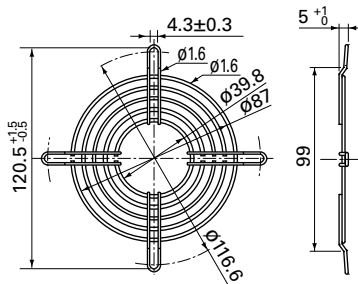
Inlet side, Outlet side



92 mm sq. type

Model no.	Surface treatment	Mass (g)
109-099C	Nickel-chrome plating (silver)	22

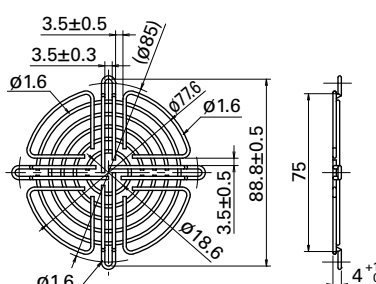
Outlet side



ø92 mm type

Model no.	Surface treatment	Mass (g)
109-1147	Nickel-chrome plating (silver)	23

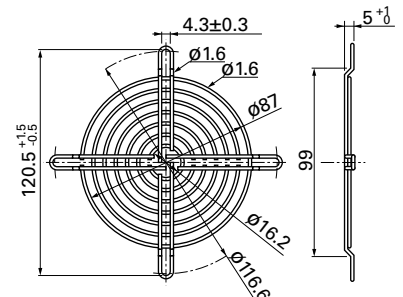
Impeller side, Nameplate side



92 mm sq., ø100 mm type

Model no.	Surface treatment	Mass (g)
109-099E	Nickel-chrome plating (silver)	29
109-099H	Cation electropainting (black)	

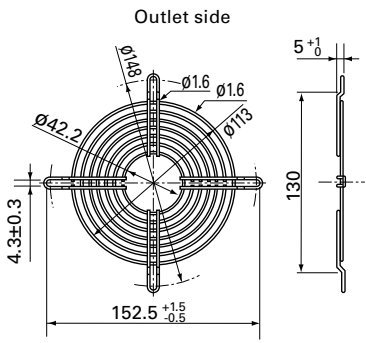
Inlet side, Outlet side



Option

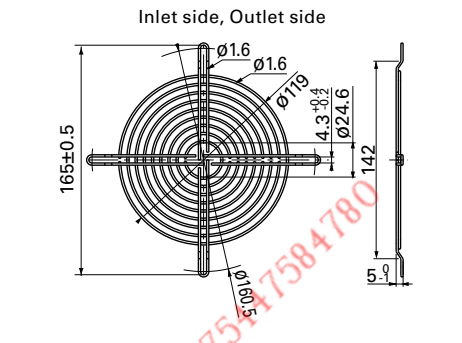
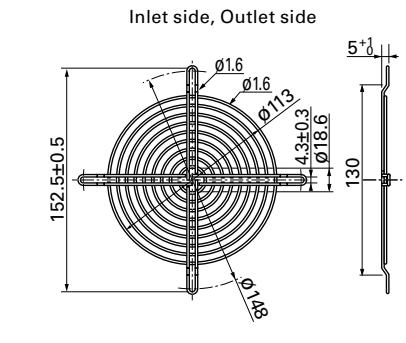
120 mm sq. type

Model no.	Surface treatment	Mass (g)
109-019C	Nickel-chrome plating (silver)	32
109-019H	Cation electropainting (black)	



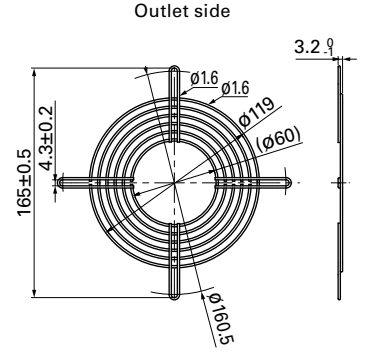
127 mm sq., Ø175 mm type

Model no.	Surface treatment	Mass (g)
109-019E	Nickel-chrome plating (silver)	42
109-019K	Cation electropainting (black)	



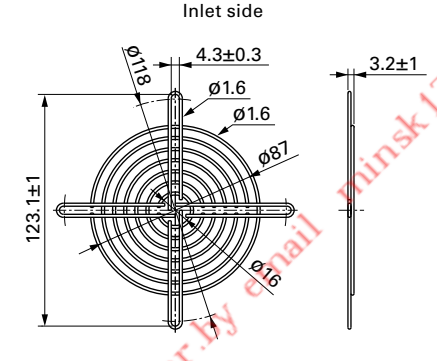
127 mm sq. type

Model no.	Surface treatment	Mass (g)
109-723	Nickel-chrome plating (silver)	34



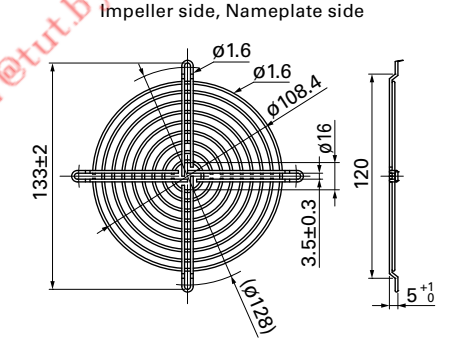
Ø133 mm type

Model no.	Surface treatment	Mass (g)
109-1112	Nickel-chrome plating (silver)	65



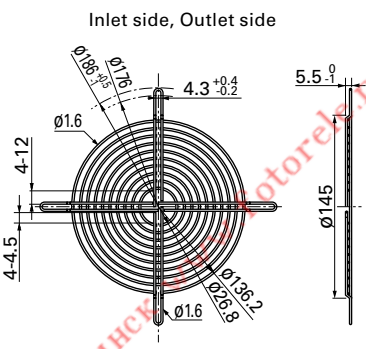
Ø136 mm type

Model no.	Surface treatment	Mass (g)
109-1139	Nickel-chrome plating (silver)	41



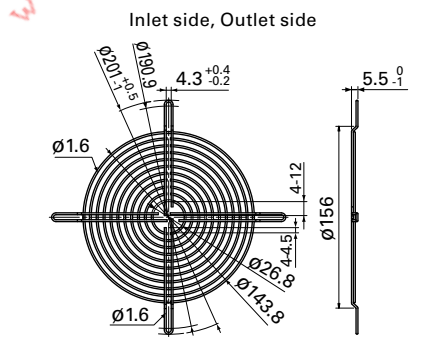
140 mm sq. type

Model no.	Surface treatment	Mass (g)
109-719	Nickel-chrome plating (silver)	51
109-719H	Cation electropainting (black)	

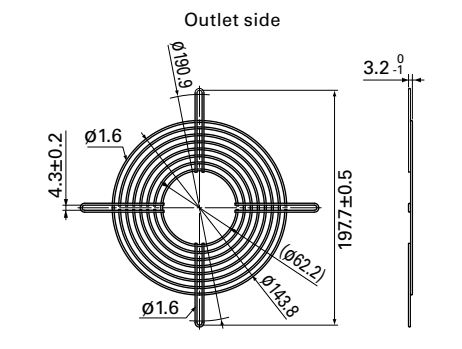


150 mm sq. type

Model no.	Surface treatment	Mass (g)
109-1051	Nickel-chrome plating (silver)	63

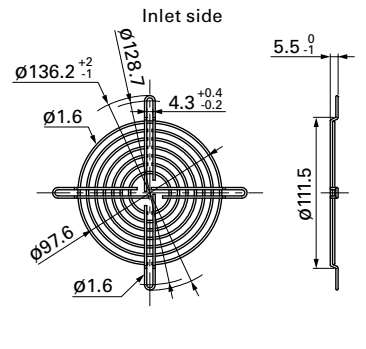


Model no.	Surface treatment	Mass (g)
109-1052	Nickel-chrome plating (silver)	53



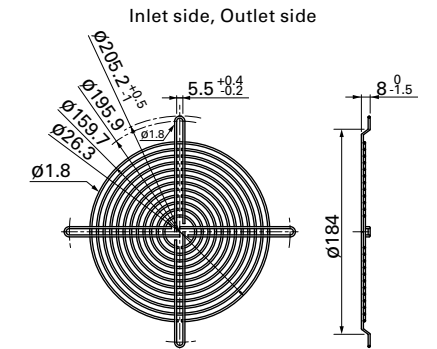
Ø150 mm type

Model no.	Surface treatment	Mass (g)
109-1104	Nickel-chrome plating (silver)	31
109-1104H	Cation electropainting (black)	

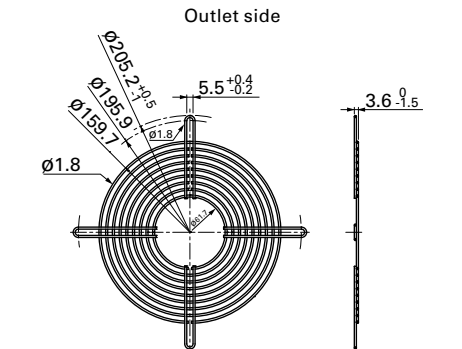


160 mm sq. type

Model no.	Surface treatment	Mass (g)
109-619E	Nickel-chrome plating (silver)	85
109-619H	Cation electropainting (black)	



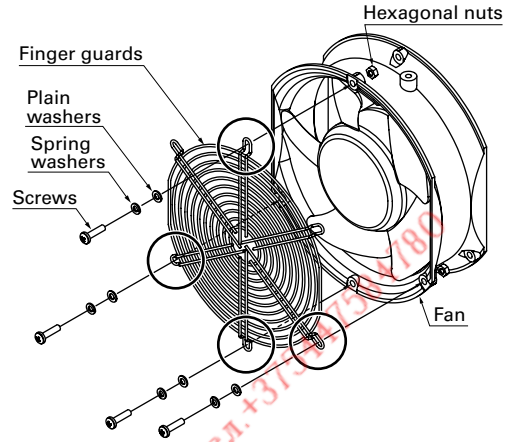
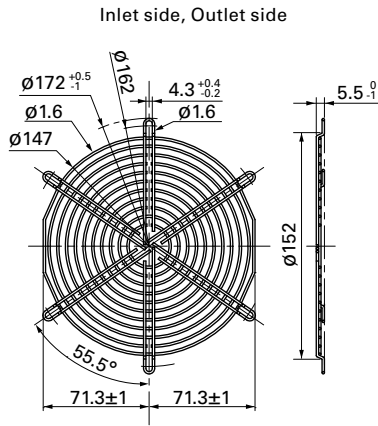
Model no.	Surface treatment	Mass (g)
109-620	Nickel-chrome plating (silver)	74



Ø172 mm Sidecut type

Model no.	Surface treatment	Mass (g)	Applicable model no.
109-319J	Nickel-chrome plating (silver)	65	9SG57□□P5□□□/9GV57□□H501 9CR5748P9G001/9WG5748P5□□001

Finger guard 109-319J should be mounted with four holes as in the drawing.

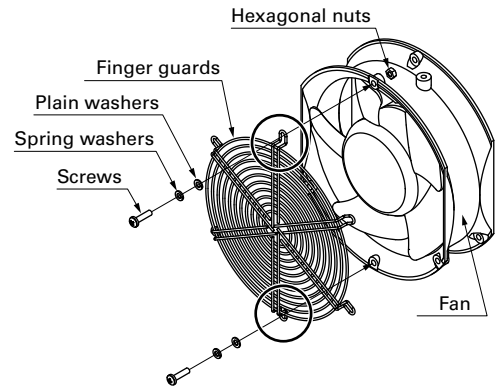
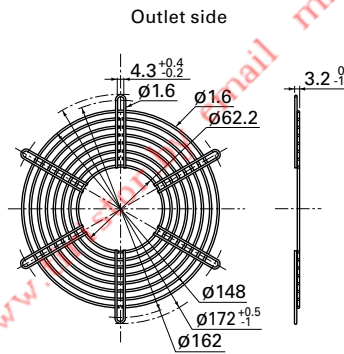
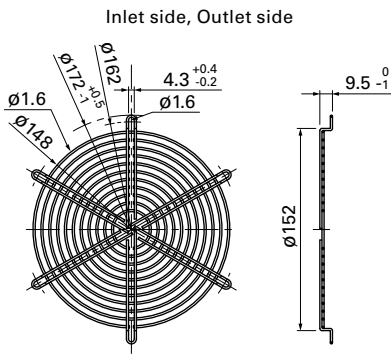


Ø172 mm Sidecut, Round type

Model no.	Surface treatment	Mass (g)
109-319E	Nickel-chrome plating (silver)	69
109-319H	Cation electropainting (black)	

Model no.	Surface treatment	Mass (g)
109-320	Nickel-chrome plating (silver)	53

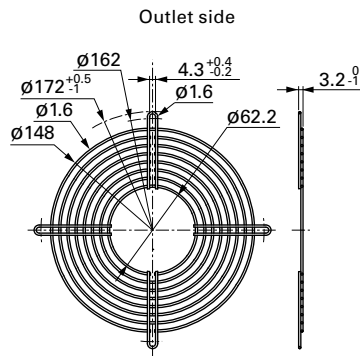
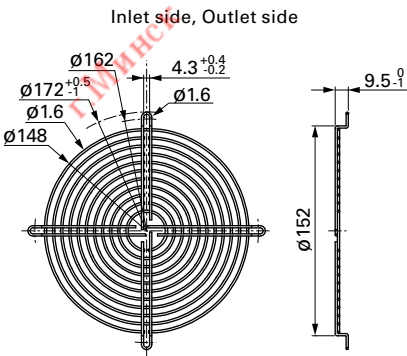
Finger guards 109-319E, 109-319H, and 109-320 should be mounted with two holes as in the drawing and do not use any other holes.



Ø172 mm Round type

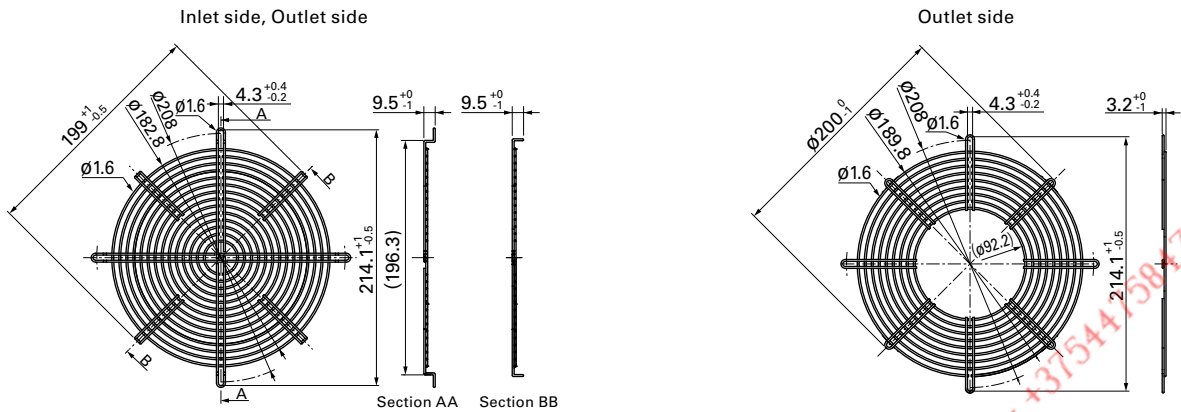
Model no.	Surface treatment	Mass (g)
109-1066	Nickel-chrome plating (silver)	61

Model no.	Surface treatment	Mass (g)
109-1068	Nickel-chrome plating (silver)	54



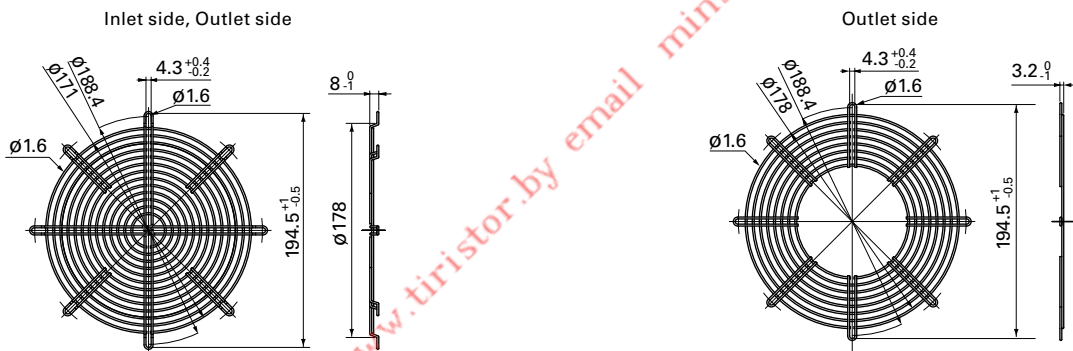
∅200 mm type

Model no.	Surface treatment	Mass (g)	Applicable model no.	Model no.	Surface treatment	Mass (g)	Applicable model no.
109-1102	Nickel-chrome plating (silver)	100	9GV2048P0G201	109-1103	Nickel-chrome plating (silver)	80	9GV2048P0G201



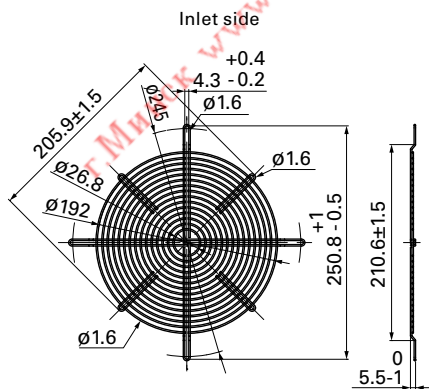
∅200 mm type

Model no.	Surface treatment	Mass (g)	Applicable model no.	Model no.	Surface treatment	Mass (g)	Applicable model no.
109-720	Nickel-chrome plating (silver)	84	109E2024□□□□	109-721	Nickel-chrome plating (silver)	66	109E2024□□□□
109-720H	Cation electropainting (black)		9EC20□□□001	109-721H	Cation electropainting (black)		9EC20□□□001



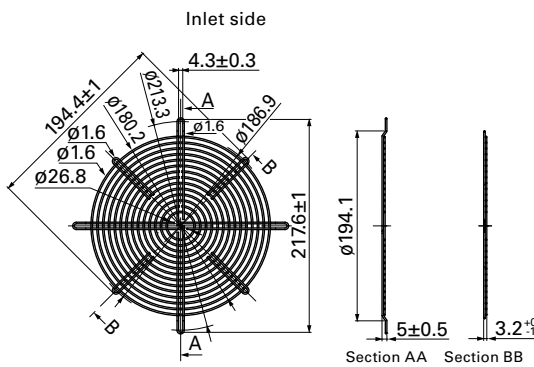
∅221 mm type

Model no.	Surface treatment	Mass (g)
109-1138	Nickel-chrome plating (silver)	105
109-1138H	Cation electropainting (black)	



∅225 mm type

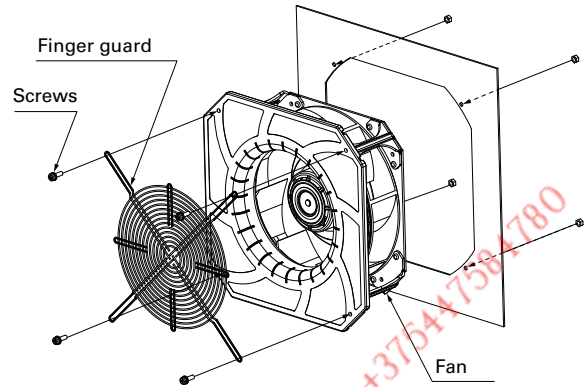
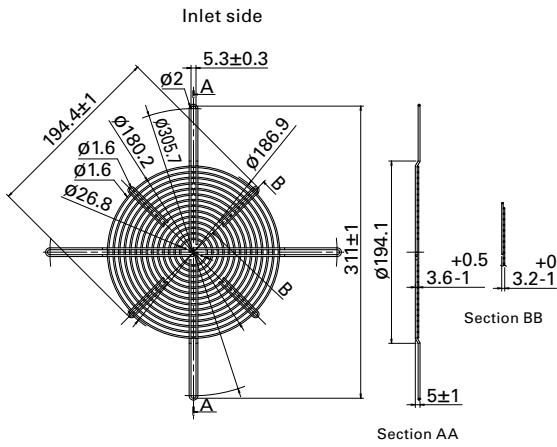
Model no.	Surface treatment	Mass (g)
109-1137	Nickel-chrome plating (silver)	94
109-1137H	Cation electropainting (black)	



270 mm sq. type (for Bracket-mounted Centrifugal Fan)

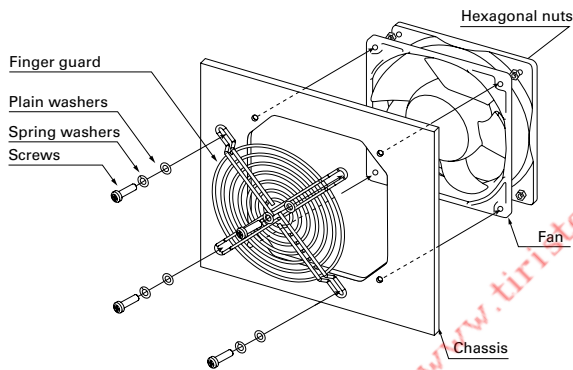
Model no.	Surface treatment	Mass (g)
109-1146	Nickel-chrome plating (silver)	106

Finger guard 109-1146 should be mounted with four holes as in the drawing.

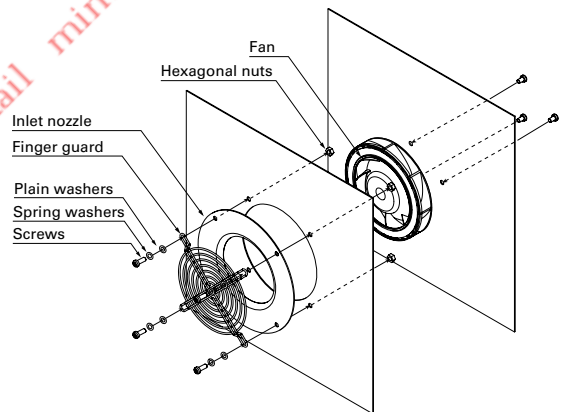


Mounting example

Axial fan



Centrifugal fan



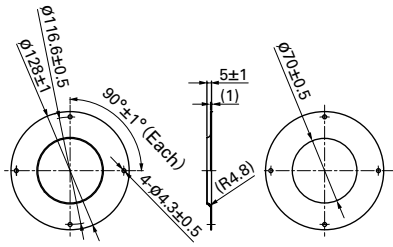
г. Минск www.fotorele.net www.tirator.by email minsk17@tut.by тел.+375447564780

Inlet nozzle for centrifugal fan and splash proof centrifugal fan Dimensions (unit: mm) DC

Nozzle mounted in fan inlet side to adjust the flow of introduced air. Material: Steel sheet

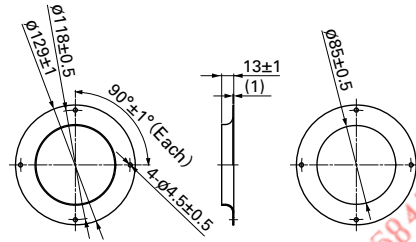
∅100 mm type

Model no.	Surface treatment	Mass (g)
109-1080	Electro nickel plating (silver)	80



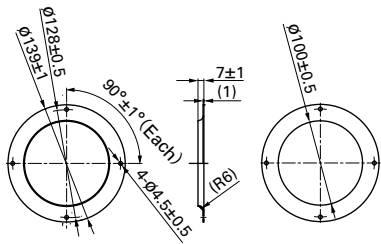
∅133 mm type

Model no.	Surface treatment	Mass (g)
109-1069	Electro nickel plating (silver)	76
109-1069H	Cation electropainting (black)	



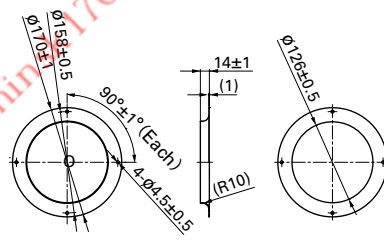
∅150 mm type

Model no.	Surface treatment	Mass (g)
109-1081	Electro nickel plating (silver)	70
109-1081H	Cation electropainting (black)	



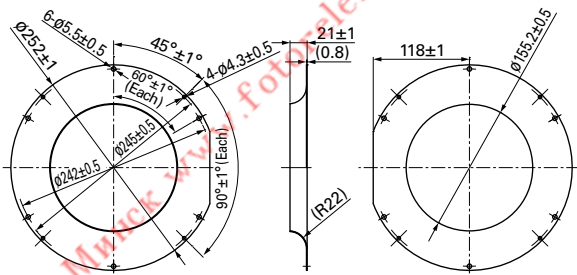
∅175 mm type

Model no.	Surface treatment	Mass (g)
109-1073	Electro nickel plating (silver)	100
109-1073H	Cation electropainting (black)	



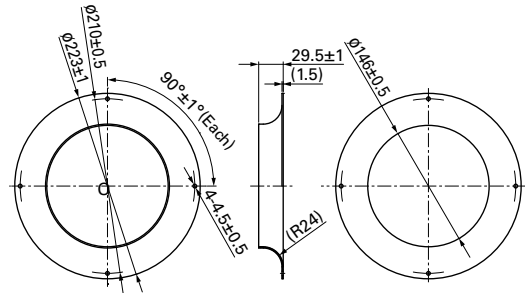
∅221 mm type

Model no.	Surface treatment	Mass (g)
109-1135	Electro nickel plating (silver)	230
109-1135H	Cation electropainting (black)	



∅225 mm type

Model no.	Surface treatment	Mass (g)
109-1134	Electro nickel plating (silver)	360
109-1134H	Cation electropainting (black)	

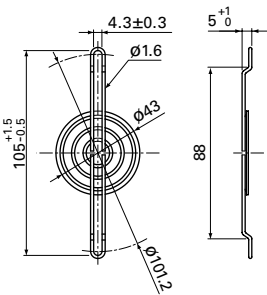


It is a metallic piece that protects materials from the adverse effects of electromagnetic noise sources. It provides electromagnetic shielding. It is attached to the casing of a device by means of the fan fixing screw (s). Ground the devices equipped with an EMC guard.

80 mm sq. type

Model no.	Surface treatment	Mass (g)
109-1038	Nickel-chrome plating (silver)	14

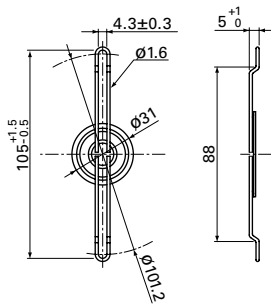
Representative fans model numbers	Dimensions of fans (mm)
109P08*	80×80×20
9GV08*	80×80×25
9GV08*	80×80×38
9HV08*	
9HVA08*	



80 mm sq. type

Model no.	Surface treatment	Mass (g)
109-1039	Nickel-chrome plating (silver)	10

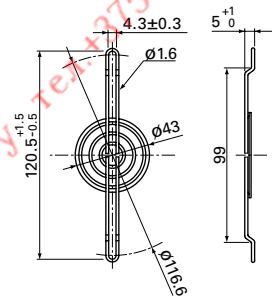
Representative fans model numbers	Dimensions of fans (mm)
109P08*	80×80×15
9GA08*	80×80×20
109R08*	80×80×25
9A08*	
9GA08*	
9GA08*	
9G08*	80×80×32
9GA08*	80×80×38



92 mm sq. type

Model no.	Surface treatment	Mass (g)
109-1040	Nickel-chrome plating (silver)	15

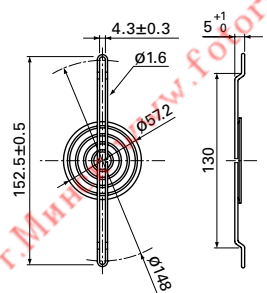
Representative fans model numbers	Dimensions of fans (mm)
9G09*	92×92×32
9G09*	92×92×38
9GV09*	
9GA09*	



120 mm sq. type

Model no.	Surface treatment	Mass (g)
109-1037	Nickel-chrome plating (silver)	26

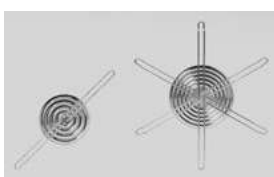
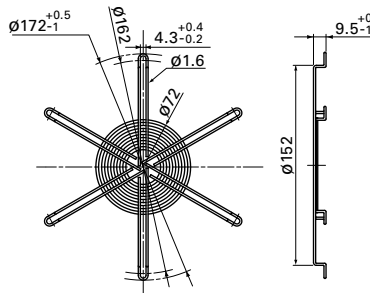
Representative fans model numbers	Dimensions of fans (mm)
9G12*	120×120×25
9GV12*	
9GL12*	
9G12*	
9GV12*	120×120×38
9HV12*	
9LG12*	



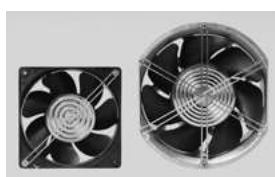
Ø172 mm type

Model no.	Surface treatment	Mass (g)
109-1036	Nickel-chrome plating (silver)	49

Representative fans model numbers	Dimensions of fans (mm)
109E47*	Ø172×25
109L17*	Ø172×51
9GV57*	
109E17*	
109E57*	
9SG57*	



EMC guard



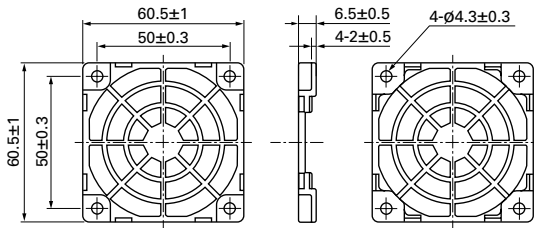
attached to a cooling fan

Resin finger guards Dimensions (unit: mm) DC AC

Material Frame: Resin (PPE+PS) UL file no. E82268 94V-0

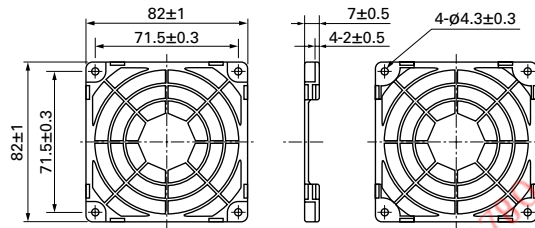
60 mm sq. type

Model no.	Mass (g)
109-1003G	7



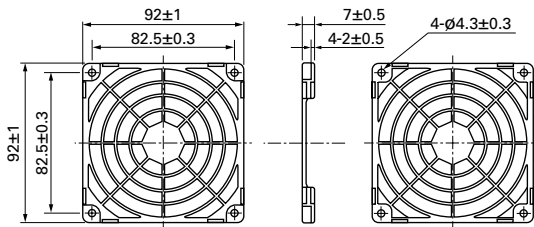
80 mm sq. type

Model no.	Mass (g)
109-1002G	10



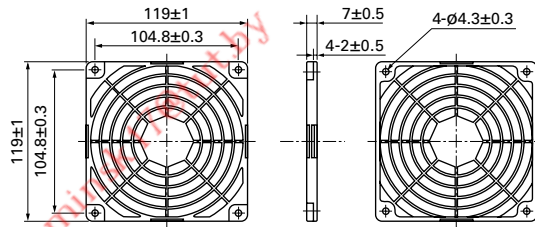
92 mm sq. type

Model no.	Mass (g)
109-1001G	12



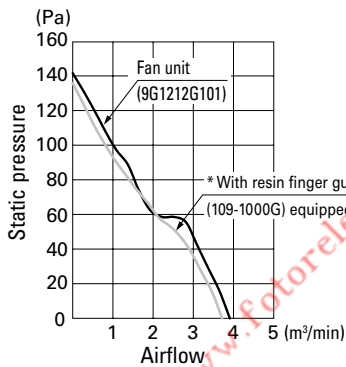
120 mm sq. type

Model no.	Mass (g)
109-1000G	23



Airflow - Static pressure characteristics

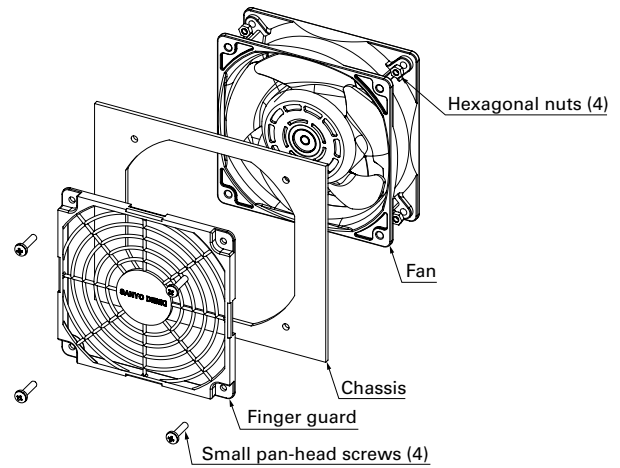
Measured with our double chamber measuring device (120 mm sq. type)



Applied voltage: 12 VDC

* Finger guard is attached on air inlet side of fan.

Mounting example

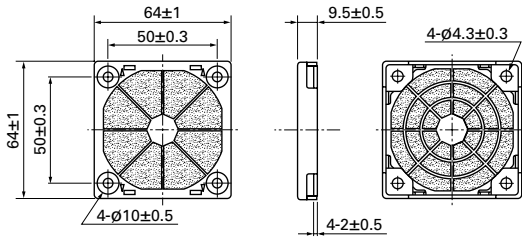


- Operating temperature limit is between -20 to +70°C. (non condensing)
- Plastic finger guards are placed on both the intake and exhaust sides of the fan.
- No nuts or screws for use in attachment included.

Material Guard, cover: Resin (PPE+PS) UL file no. E82268 94V-0 Filter: Polyurethane foam UL file no. E74916 (S) 94HF-1
 PPI: Particles Per Inch Indicates the number of holes per inch. Note that the higher the number, the finer the grain of the sponge.

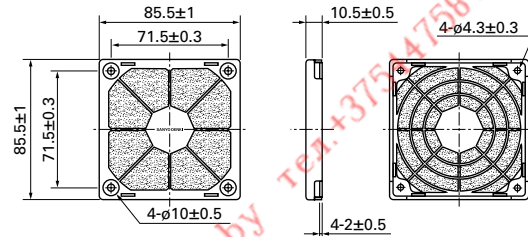
60 mm sq. type

Model no.	Mass (g)
109-1003F13 (13 PPI)	11
109-1003F20 (20 PPI)	
109-1003F30 (30 PPI)	
109-1003F40 (40 PPI)	
Replacement filter model no.	Quantity
109-1003M13 (13 PPI)	5
109-1003M20 (20 PPI)	
109-1003M30 (30 PPI)	
109-1003M40 (40 PPI)	



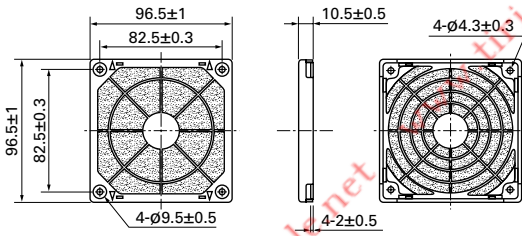
80 mm sq. type

Model no.	Mass (g)
109-1002F13 (13 PPI)	19
109-1002F20 (20 PPI)	
109-1002F30 (30 PPI)	
109-1002F40 (40 PPI)	
Replacement filter model no.	Quantity
109-1002M13 (13 PPI)	5
109-1002M20 (20 PPI)	
109-1002M30 (30 PPI)	
109-1002M40 (40 PPI)	



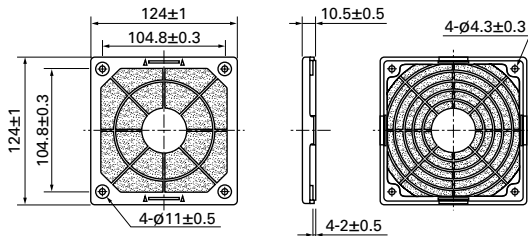
92 mm sq. type

Model no.	Mass (g)
109-1001F13 (13 PPI)	25
109-1001F20 (20 PPI)	
109-1001F30 (30 PPI)	
109-1001F40 (40 PPI)	
Replacement filter model no.	Quantity
109-1001M13 (13 PPI)	5
109-1001M20 (20 PPI)	
109-1001M30 (30 PPI)	
109-1001M40 (40 PPI)	



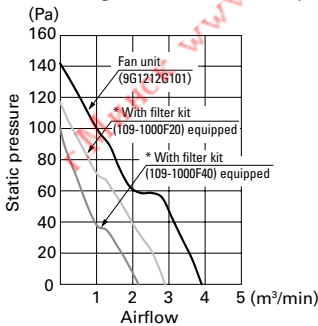
120 mm sq. type

Model no.	Mass (g)
109-1000F13 (13 PPI)	44
109-1000F20 (20 PPI)	
109-1000F30 (30 PPI)	
109-1000F40 (40 PPI)	
Replacement filter model no.	Quantity
109-1000M13 (13 PPI)	5
109-1000M20 (20 PPI)	
109-1000M30 (30 PPI)	
109-1000M40 (40 PPI)	



Airflow - Static pressure characteristics

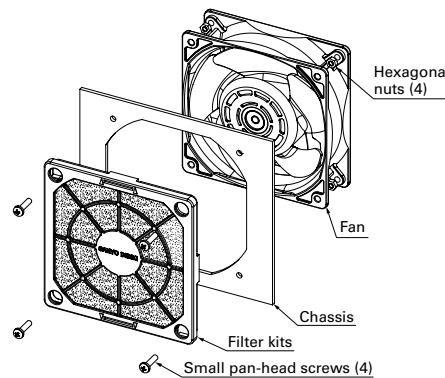
Measured with our double chamber measuring device (120 mm sq. type)



Applied voltage: 12 VDC

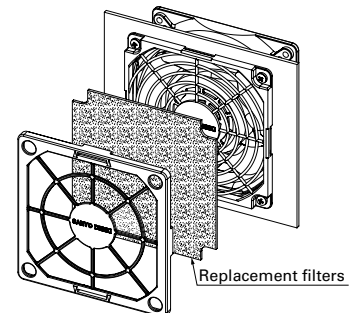
* Filter kit is attached on air inlet side of fan.

Mounting example



Filter replacement (example)

Replacement filters can be replaced by taking off the front part of the filter kit. There is no need to remove the screws.



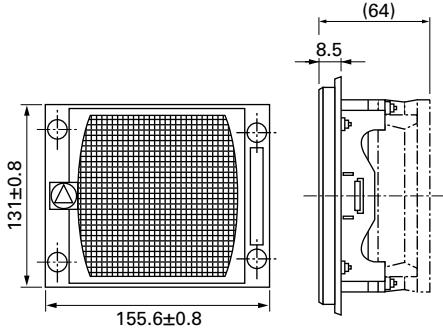
- Filter kit is one of the option to keep air in the chassis clean filtering dust in external atmosphere when pulling-air cooling is implemented. The filter kit is hooked up through mounting hole of fan frame with screw as well as finger guard. Some performances (airflow & static pressure) of the fan motor decreases when filter kit is hooked up.
- This Filter Kit is composed of 3 components, including a guard, a filter and a cover. It is delivered as a finished product at delivery, saving assembly time when mounting. It can be mounted by inserting a screw in the apertures of the cover.
- The filter and cover can be easily removed from the guard with one touch. There is no need for fan removal when undertaking maintenance.
- Operating temperature limit is between -10 to +60°C. (non condensing)
- The filter will deteriorate with age, and the level of deterioration will vary upon usage conditions. Please be aware that the filter has a greater tendency to deteriorate under high temperature and humidity. For long-term storage, please store under the temperature range of 10 to 30°C, humidity range of 20 to 65%. Usage and storage period is approximately 2 years.
- Cooling ability decreases with filter contamination due to clogging. Filter replacement is recommended approximately every six months of usage. Please replace the filter if deterioration or clogging is seen at inspection.
- When replacing the filter, please use genuine SANYO DENKI filters.
- Do not water-wash the filter.
- Avoid use and storage under high temperature or humidity, direct sunlight or exposure to ultraviolet light, or in corrosive gas.
- No nuts or screws for use in attachment included.

Filter kits Applicable models: AC Fan 120×120×38 mm Dimensions, Reference Dimensions of Mounting Holes (unit: mm) AC

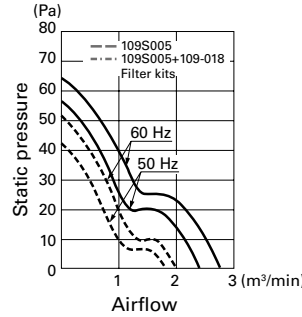
Neither filter kit can be installed on ACDC fans, or AC fans with sensors. Please evaluate it by assembly filter kits on the device.

Model no.	Material	Mass (g)
109-018	Steel Wire Mesh: Stainless 16-mesh nets in 3 layers Cover: Resin Metal fittings: Steel (chromate-plated)	182

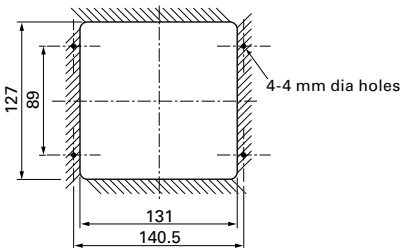
Dimensions



Airflow - Static Pressure Characteristics
(Measured with our double chamber measuring device)

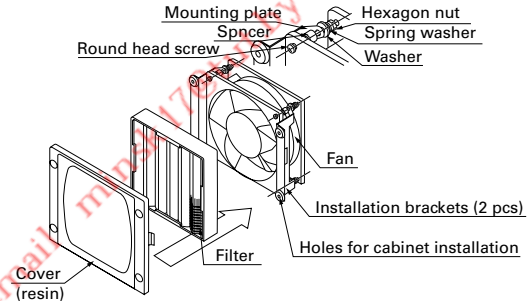


Reference Dimensions of Mounting Holes



●The parts shown in the installation diagram (nuts, washers, and screws) are included.

Mounting Example

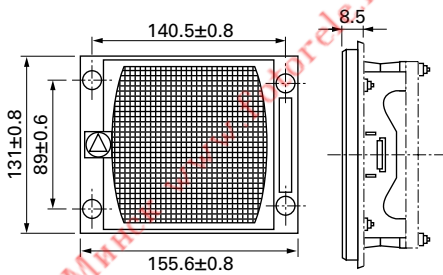


Screen kits Applicable models: AC Fan 120×120×38 mm Dimensions, Reference Dimensions of Mounting Holes (unit: mm) AC

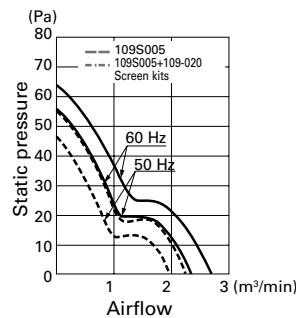
Neither screen kit can be installed on ACDC fans, or AC fans with sensors.

Model no.	Material	Mass (g)
109-020	Steel Wire Mesh: Stainless 16-mesh nets in 1 layers Cover: Resin Metal fittings: Steel (chromate-plated)	135

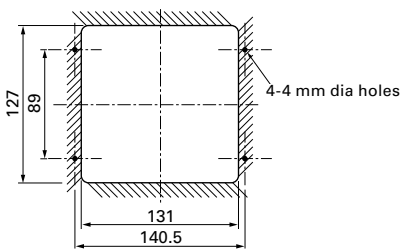
Dimensions



Airflow - Static Pressure Characteristics
(Measured with our double chamber measuring device)

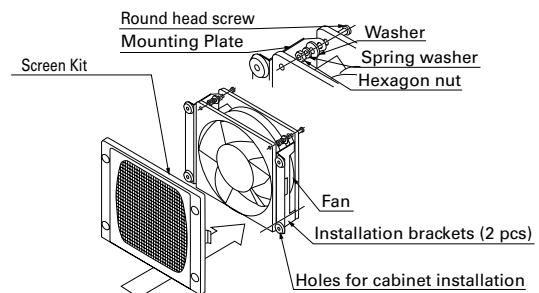


Reference Dimensions of Mounting Holes



●The parts shown in the installation diagram (nuts, washers, and screws) are included.

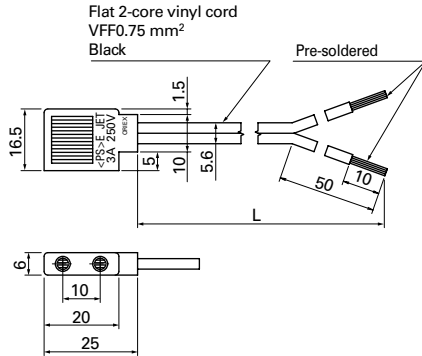
Mounting Example



Products compliant with electrical appliance and material safety law

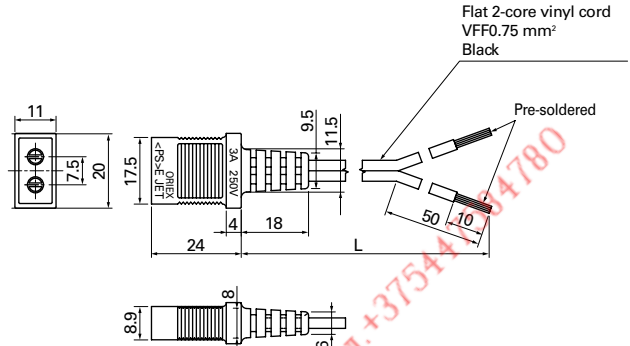
For 80×80×42 mm

Model no.	Power cord length [L] (mm)	Mass (g)
489-008-L10	1000	30
489-008-L21	2100	61
489-008-L35	3500	99



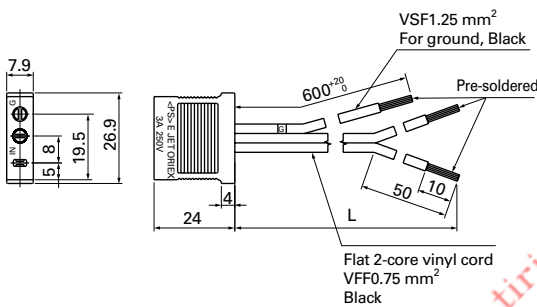
For 80×80×25 mm, 80×80×38 mm, 92×92×25 mm, 120×120×25 mm

Model no.	Power cord length [L] (mm)	Mass (g)
489-016-L10	1000	34
489-016-L21	2100	64



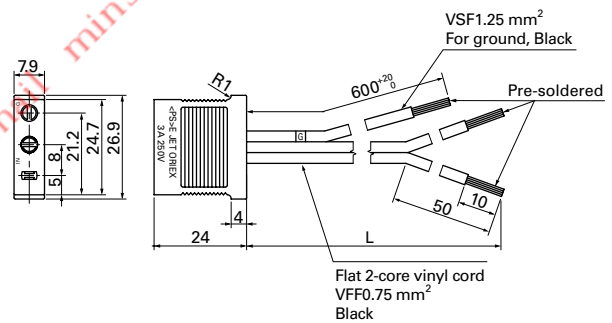
For 120×120×38 mm (not including AC/DC fan)

Model no.	Power cord length [L] (mm)	Mass (g)
489-006-L10	1000	47
489-006-L21	2100	76
489-006-L35	3500	114



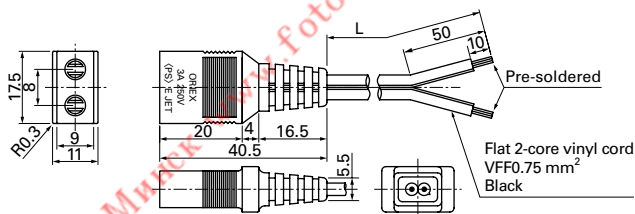
For 120×120×38 mm (not including AC/DC fan)

Model no.	Power cord length [L] (mm)	Mass (g)
489-037-L10	1000	46
489-037-L21	2100	76
489-037-L35	3500	114



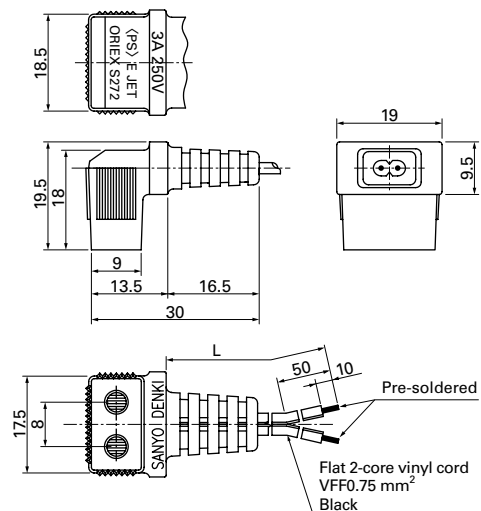
For 160×160×51 mm

Model no.	Power cord length [L] (mm)	Mass (g)
489-1618-L10	1000	34
489-1618-L21	2100	63
489-1618-L28	2800	83



For ø172×51 mm, ø172×150×51 mm, 160×160×51 mm

Model no.	Power cord length [L] (mm)	Mass (g)
489-1619-L10	1000	34
489-1619-L21	2100	64



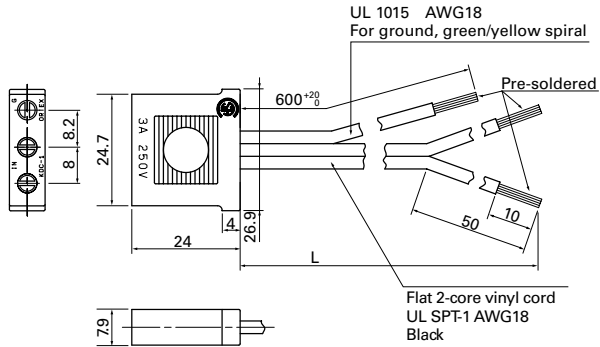
● Be careful not to damage the plug/cord when taking them out of the package.

Plug cord for AC fan Dimensions (unit: mm) AC

UL/CSA certified UL file no.: E50197 CSA file no.: LR67048

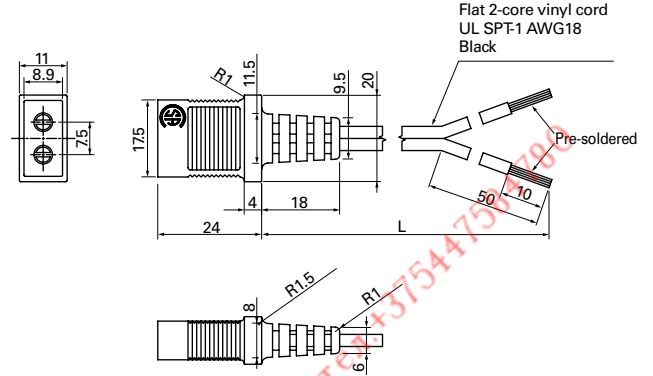
For 120×120×38 mm (not including AC/DC fan)

Model no.	Power cord length [L] (mm)	Mass (g)
489-007-L10	1000	48
489-007-L21	2100	80



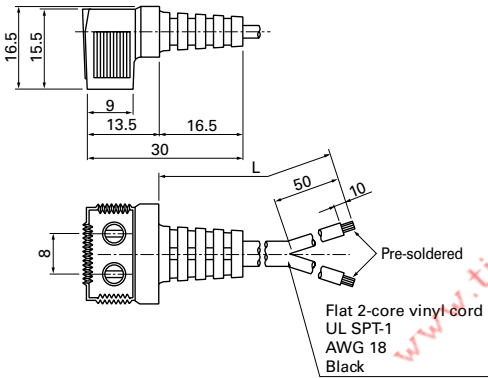
For 80×80×25 mm, 80×80×38 mm, 92×92×25 mm, 120×120×25 mm

Model no.	Power cord length [L] (mm)	Mass (g)
489-047-L10	1000	38
489-047-L21	2100	71



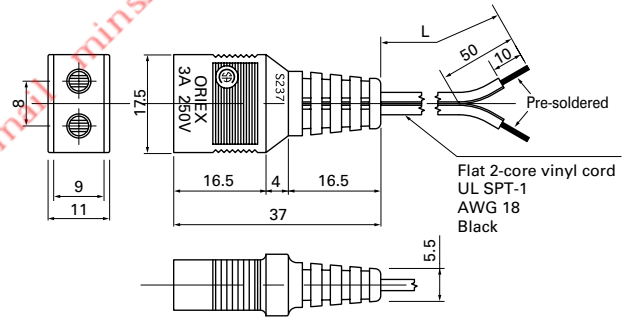
For ∅172×51 mm, ∅172×150×51 mm, 160×160×51 mm

Model no.	Power cord length [L] (mm)	Mass (g)
489-084-L10	1000	37
489-084-L21	2100	70



For 160×160×51 mm

Model no.	Power cord length [L] (mm)	Mass (g)
489-086-L10	1000	37
489-086-L21	2100	70

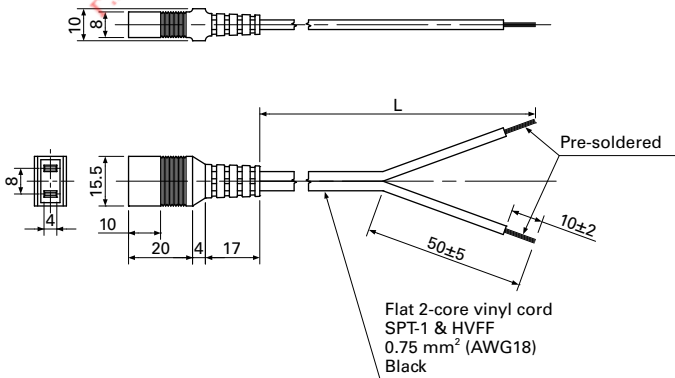


Plug cord for ACDC fan Dimensions (unit: mm) AC

Products compliant with electrical appliance and material safety law, UL/CSA [c-UL] certified

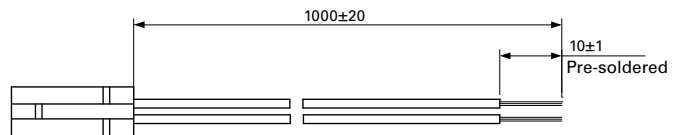
UL file no. E43202

Model no.	Power cord length [L] (mm)	Mass (g)
489-1635-L10	1000	38
489-1635-L21	2100	74



Wiring Harness for Sensor

Model no.	Mass (g)
489-1636	9



● Be careful not to damage the plug/cord when taking them out of the package.

Recommended connectors for DC fans
DC

Manufacturer	2 pins Housing model number	3 pins Housing model number	4 pins Housing model number	Contact model number
MOLEX	22-01-1022:P/N 5051-02	22-01-1032:P/N 5051-03 22-01-3037:P/N 2695-03RP	22-01-1042:P/N 5051-04	08-70-0064:P/N 5159T
				08-70-0048:P/N 5159PBT
				39-00-0372:P/N 2759T
	43025-0200	—	43025-0400	43030-0001
	51191-0200	51191-0300	51191-0400	43030-0002
50-37-5023:P/N 5264-02	50-37-5033:P/N 5264-03	50-37-5043:P/N 5264-04	43030-0003	
Tyco Electronics	39-01-2020:P/N 5557-02R	—	39-01-2040:P/N 5557-04R	50802-9001
				08-70-1039:P/N 5263PBT
Hirose	171822-2	171822-3	171822-4	39-00-0059:P/N 5556PBT
	179228-2	179228-3	179228-4	39-00-0038:P/N 5556T
Japan Solderless Terminals	DF1B-2EP-2.5RC	DF1B-3EP-2.5RC	—	170262-1
	DF3-2EP-2C	DF3-3EP-2C	DF3-4EP-2C	179227-1
	DF3AA-2EP-2C	DF3AA-3EP-2C	DF3AA-4EP-2C	DF1B-2428PCF
Japan Solderless Terminals	EHR-2	EHR-3	EHR-4	DF3-EP2428PCF
	SMP-02V-BC	SMP-03V-BC	SMP-04V-BC	SEH-001T-P0.6
	SMP-02V-NC	SMP-03V-NC	—	SHF-001T-0.8BS
	H2P-SHF-AA	H3P-SHF-AA	—	—
	PHR-2	PHR-3	PHR-4	SPH-002T-P0.5S
	XAP-02V-1	XAP-03V-1	XAP-04V-1	—
	XMP-02V	XMP-03V	—	SXA-001T-P0.6
	XHP-2	XHP-3	XHP-4	SXH-001GU-P0.6
	SMR-02V-B	SMR-03V-B	SMR-04V-B	SXH-001T-P0.6
	SMR-02V-N	SMR-03V-N	SMR-04V-N	SYM-001T-P0.6

Recommended tubes and cable ties for DC fan
DC

	Manufacturer	Representative model numbers	Specifications	UL file no.
PVC tube	YAMAICHI CHEMICAL	YET-300H	105°C 300 V VW-1	E55011
	IWASE KAGAKU KOGYO	AH-3		E56036
Thermal contraction tube	SUMITOMO ELECTRIC	SUMITUBE® F2 (Z)	125°C 600 V VW-1	E48762
	SUMI-PAC	SUMITUBE® F32		
Cable tie	THOMAS & BETTS	TY-23M	UL 94V-2	E49405
	PANDUIT	BT1M		E56854
	HellermannTyton	T18R		E64962

Note : The specifications in this table are for reference purposes only. When selecting, please check catalogs of each brand.

Overview and Characteristics of Fan

Overview DC AC

A cooling fan is widely used to extend life of your system by cooling off heat of the system that many electrical components are mounted in a very high density and dissipating heat. Since we SANYO DENKI developed "San Ace" which is the first AC fan in Japan in 1965, we have increased fan motor lineup until now meeting customer's needs rapidly based on our tremendous career. We SANYO DENKI will continue to develop new fans with high airflow, low noise, low vibration, and energy-saving design.

Characteristics DC AC

We can roughly divide fan into two types which are AC and DC.

AC fans

SANYO DENKI succeeded in the mass-production of AC fans in 1965. SANYO DENKI was the first Japanese manufacturer to have succeeded at this.

- High performance
- High reliability
- Safety

DC fans

SANYO DENKI succeeded in the mass-production of DC fans in 1982.

- High performance
- Low power consumption
- Low vibration
- Low leakage of flux
- High reliability

SANYO DENKI currently has a wider variety of products like Long Life Fan, CPU cooler, Splash Proof Fan, and Oil Proof Fan etc to meet all customer needs.

Guideline in Selecting a Fan

How to select an appropriate fan DC AC

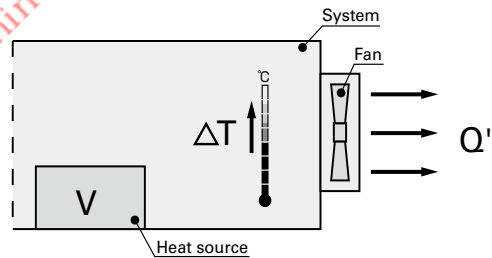
The following example is a guideline regarding how to select an appropriate fan for cooling your system

1. Determining of your system specifications and conditions

Determine the temperature rise inside your system and obtain the total heating value inside your system on the basis of its inputs and outputs.

Example

- V: Total heating value of your system (W)=100 (W)
- ΔT: Inside temperature rise (K)=15 (K)



2. Calculating the required airflow for cooling

After the equipment specifications and conditions of your system have been determined, calculate required airflow to meet the conditions. (Note that the formula shown below only applies when the heat radiation is performed only by cooling air from the fan.)

Example

Q': Motion airflow (m³/min)

$$Q' = \frac{V}{20\Delta T} = \frac{100 (W)}{20 \times 15 (K)} \approx 0.33 (m^3/min)$$

3. Selecting the fan

After the motion airflow has been calculated, select an appropriate fan motor based on the value. The motion airflow when the fan motor is actually mounted in your system can be obtained using the airflow-static pressure characteristics curve and system impedance. However, the system impedance cannot be measured without a measuring equipment, so fan with 1.5 to 2 times higher airflow than the actual max airflow should be selected (operating airflow is one-third to two-thirds of maximum airflow).

Example

Q: Maximum airflow (m³/min)

$$Q = Q' \times 2/3$$

$$Q = Q' \times 3/2 = 0.33 \times 3/2 \approx 0.5 (m^3/min)$$

Next, In case that you select a fan having an airflow of 0.5 (m³/min) or more and a appropriate size for the space inside your system.

For example, If you need a fan of 60 mm square, 25 mm thickness and 12 V, you should select is 109R0612H402 (maximum airflow = 0.53 m³/min).

4. Confirming the selected fan

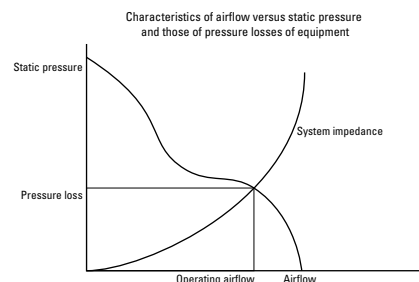
Calculate the temperature rise inside your sysetem when your sysetem having 100 (W) of total heating value is forcefully cooled down by a 109R0612H402 fan.

Example

$$Q' = Q \times 2/3 = 0.53 \times 2/3 \approx 0.353 (m^3/min)$$

$$\Delta T = V/20Q' = 100 (W)/20 \times 0.353 (m^3/min) \approx 14.2 (K)$$

From the above, the temperature rise inside your system is calculated as 14.2 (K).

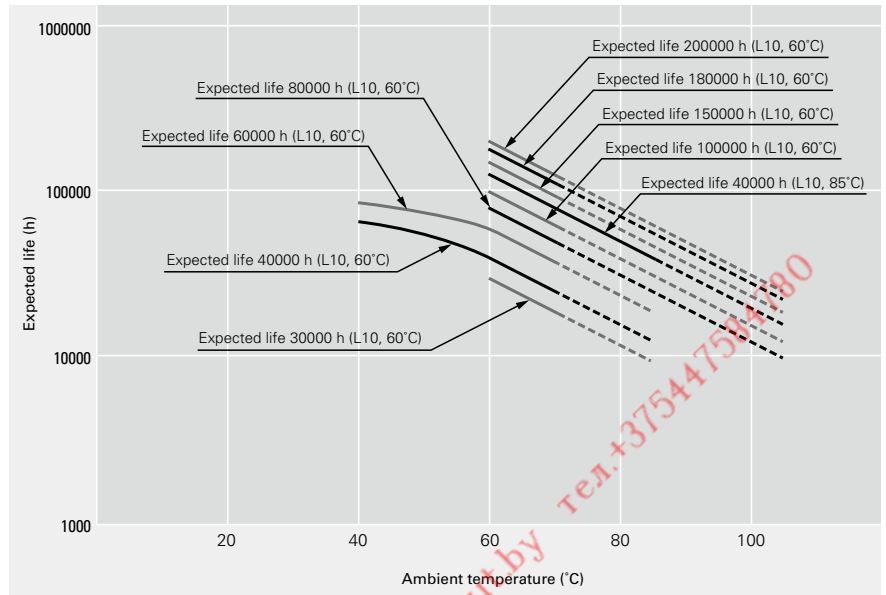


Since the value obtained from the above equation is only a rough target, final fan selection should be based on your actual installation test.

Characteristics Calculation Method and Description

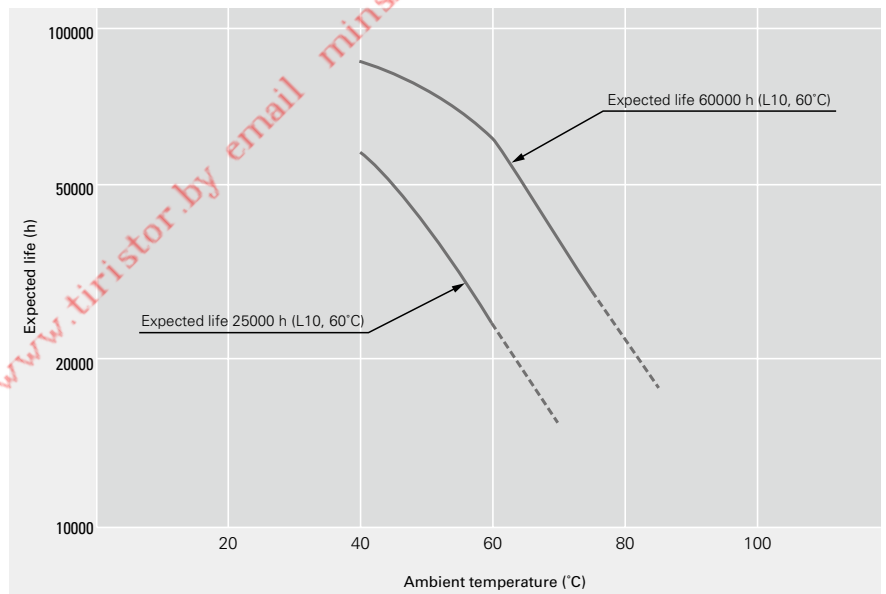
A cooling fan generally cools itself as well. The temperature rise of the motor is relatively low and the temperature rise of the grease in the bearings is also low, so expected life is longer than general some either motors. Since the service life of bearings is a theoretical value that applies when they are ideally lubricated, the life of lubricant can be regarded as expected life of the fan. DC fan consumes less power and its temperature rise of bearing is very low. When the measurement conditions are: L10 (the remaining product life in the lifespan test is 90%), with an atmospheric temperature of 60 degrees, at the rated voltage, and continuously run in a free air state. The table below indicates the relationship between ambient temperature and expected life estimated on the basis of our life tests and same other tests conducted by SANYO DENKI.

Expected life of DC fans



Rated voltage, continuously run in a free air state, survival rate of 90%

Expected life of AC fans



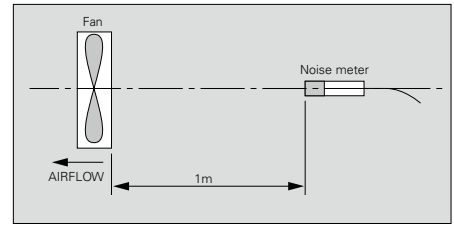
Rated voltage, continuously run in a free air state, survival rate of 90%

г.Минск www.fotorele.net
www.tiristor.by email mink17@tp.by тел.+375447531190

Noise characteristics

DC AC

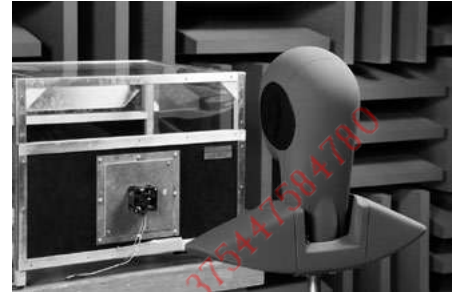
Noise is average value that measured at 1 meter away from air intake side of fan that is suspended on special frame in anechoic chamber (as per JIS B 8346).



Acoustic radio wave anechoic chamber



Noise characteristic measurement equipment

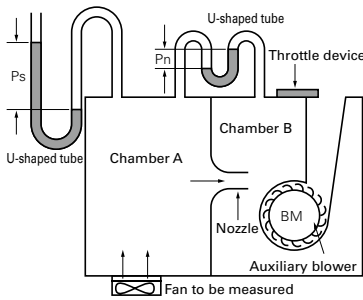


Measuring airflow and static pressure

DC AC

It is very difficult to measure airflow and static pressure. In fact, the performance curve may vary greatly according to the type of measuring equipment.

The commonly-used type of measuring equipment is a wind tunnel using a Pitot tube. SANYO DENKI uses a very precise method using double chamber equipped with many nozzles.



Double chamber measuring equipment

$$Q = 60A\bar{v} \text{ (A)}$$

where

$$Q = \text{airflow (m}^3\text{/min)}$$

$$A = \text{cross sectional area of nozzle} = \frac{\pi}{4}D^2 \text{ (m}^2\text{)}$$

$$D = \text{nozzle diameter}$$

$$\bar{v} = \text{average airflow velocity of nozzle} = \sqrt{2g \frac{P_n}{\gamma}} \text{ (m/s)}$$

$$\gamma = \text{Specific weight of air} = \rho g \text{ (N/m}^3\text{)}$$

(Air density $\rho = 1.2 \text{ kg/m}^3$ at 20°C , 1 atm)

$$g = \text{acceleration of gravity} = 9.8 \text{ (m/s}^2\text{)}$$

$$P_n = \text{differential pressure (Pa)}$$

$$P_s = \text{static pressure (Pa)}$$

The measuring equipment using double chamber is method to be calculated from airflow goes through nozzle and differential pressure between pressure of inside of chamber (P_s) and atmospheric pressure by measuring differential pressure between air intake and exhaust of nozzle (P_n).

Conversion table

DC AC

Static pressure

$$1 \text{ mm H}_2\text{O} = 0.0394 \text{ inch H}_2\text{O}$$

$$1 \text{ mm H}_2\text{O} = 9.8 \text{ Pa (Pascal)}$$

$$1 \text{ inch H}_2\text{O} = 25.4 \text{ mm H}_2\text{O}$$

$$1 \text{ Pa} = 0.102 \text{ mm H}_2\text{O}$$

$$1 \text{ inch H}_2\text{O} = 249 \text{ Pa}$$

Airflow

$$1 \text{ m}^3\text{/min} = 35.31 \text{ ft}^3\text{/min (CFM)}$$

$$1 \text{ CFM} = 0.0283 \text{ m}^3\text{/min}$$

$$1 \text{ m}^3\text{/min} = 16.67 \text{ l /s}$$

$$1 \text{ CFM} = 0.472 \text{ l /s}$$

$$1 \text{ l /s} = 0.06 \text{ m}^3\text{/min}$$

Motor Protection

If the fan blades are restricted, an overcurrent occurs and leads to a rise in the fan coil temperature. This can result in reduced performance, damage, or a fire. To prevent this from occurring, SANYO DENKI's fans incorporate an overheating protection function.

Reverse polarity protection function (DC fan)

No problem about fan even if positive & negative lead are connected in reverse.

However, when wiring fans with sensors or PWM speed control function, connecting positive and negative leads in reverse may damage the fans.

Burnout protection function at locked rotor condition (DC fan, ACDC fan)

Current cutoff system

If the fan blades are restricted, the coil current is cut off at regular cycles to prevent overheating of the coil. When the hindrance is removed, the fan restarts automatically.

Burnout protection function at locked rotor condition (AC fan)

Impedance protection (60 mm sq., 80 mm sq., 92 mm sq., 120 mm sq.)

This system is used for shading coil-type fans. When the blades are restricted, the current is reduced by the impedance of the coil itself to prevent a temperature rise in the coil. However, if the applied voltage exceeds the specification range, an overcurrent can occur and result in overheating, and so care needs to be taken.

Thermal protection (160 mm sq., \varnothing 172 mm)

This system is used for condenser phase-type fans. A temperature sensor is incorporated in the coil so that if the temperature exceeds the specification temperature, the current is cut off to prevent overheating of the coil.

г.Минск www.fotorele.net www.tiristor.by email minkstut.by +375447584780

Specifications for DC Fan Sensors

Pulse sensor (Tach output type) example DC

Pulse sensor outputs two pulse waves per revolution of fan, and it is good to detect fan speed. Pulse sensors can be incorporated in all kinds of DC fans.

* Noise from inside the fan or from external devices may effect sensor output.
Contact us for more information.

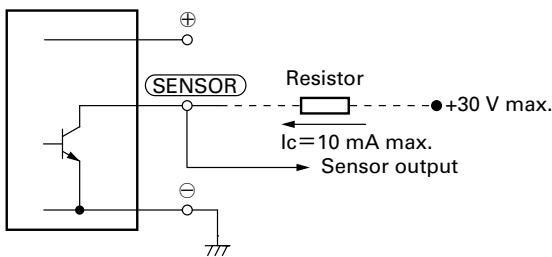
The specifications listed below are for the 9G1212H101 model, and vary with the model number used. Please contact your point of sale for details.

Output circuit
Open collector

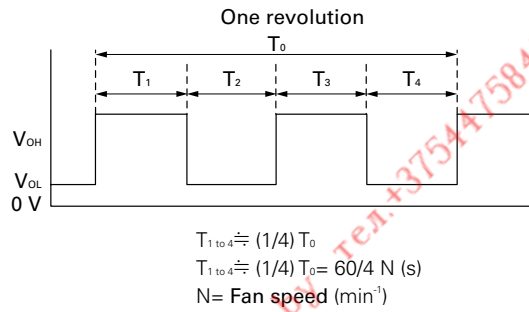
Specifications

$V_{CE} = +30\text{ V max.}$
(For a 48 V-rated fan: $V_{ce} = +60\text{ V max.}$)
 $I_c = 10\text{ mA max.}$ [$V_{OL} = V_{ce}(\text{SAT}) = 0.4\text{ V or less}$]

Inside of DC fan



Output waveform (Need pull-up resistor)
In case of steady running



* If you want detailed specifications that apply when the rotor is locked, please contact SANYO DENKI.

Locked rotor sensor (rotation / lock detection type) example DC

Locked rotor sensor outputs fan status signals. It is good to check whether the fan is running or locked

- * Noise from inside the fan or from external devices may effect sensor output.
- * Regarding details of the reverse logic and specifications of lock sensor output signals, please contact SANYO DENKI.
- * Lock sensor can not be used in some models. Contact us for more information.

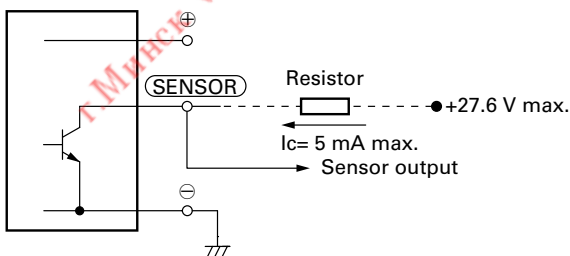
The specifications listed below are for the 9G1212H1D01 model, and vary with the model number used. Please contact your point of sale for details.

Output circuit
Open collector

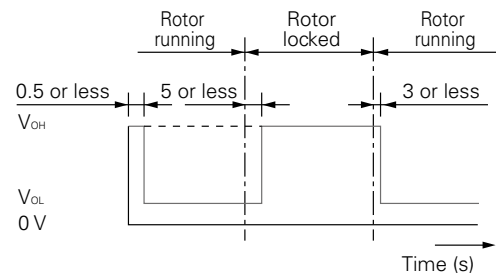
Specifications

$V_{CE} = +27.6\text{ V max.}$
For a 48 V fan $V_{CE} = +60\text{ V max.}$
 $I_c = 5\text{ mA max.}$ [$V_{OL} = V_{ce}(\text{SAT}) = 0.6\text{ V or less}$]
For a 48 V fan: $V_{ce}(\text{SAT}) = 0.4\text{ V or less}$

Inside of DC fan



Output waveform (Need pull-up resistor)



Note: The output is completely at V_{OL} with 0.5 s or less after power-up.

Low-speed sensor outputs a signal when fan speed goes down to trip point or less. It is good to detect cooling degradation of fan.

- *Noise from inside the fan or from external devices may effect sensor output, please.
- *If you want detailed specification and reverse signal output, please contact SANYO DENKI.
- *Low-speed sensors can not be used in some models. Contact us for more information.

The specifications listed below are for the 9G1212H1H01 model, and vary with the model number used. Please contact your point of sale for details.

Output circuit

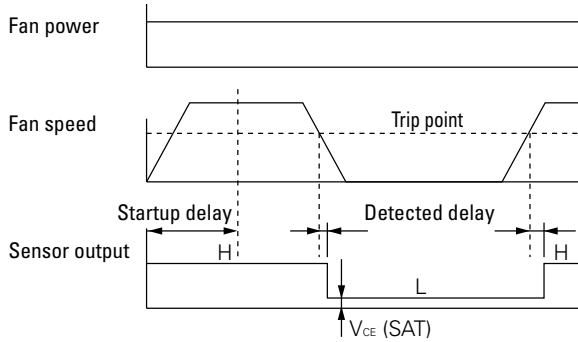
Open collector

Specifications

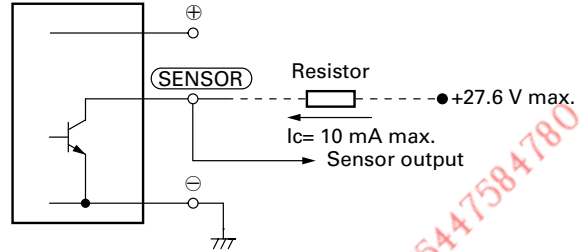
$V_{CE} = +27.6$ V max.
 $I_c = 10$ mA max. [$V_{OL} = V_{CE} (SAT) = 0.5$ V or less]

Sensor scheme

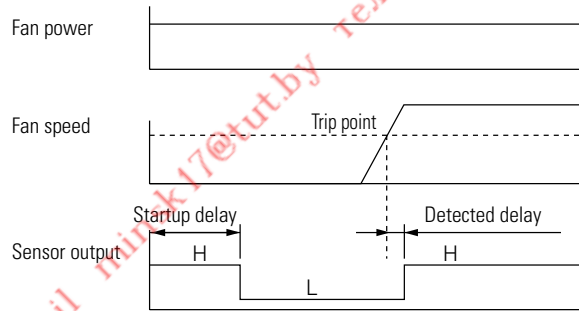
Example 1: In case steady running



Inside of DC fan



Example 2: In case that the rotor is locked when the fan motor is turned on and released after the start-up delay time.



Specifications for AC Fan Sensor

ACDC fan sensor specifications differ from those below. Please refer to each product page.

Specifications of sensor circuit

	5 V (ITEM-20*)	12 V (ITEM-30*)
Example of model.no	109S405UL	
System	Speed detection, Auto-restart, Open collector	
Power supply	5 VDC±10% At 5 V, 6 mA	12 VDC±20% At 12 V, 10 mA
Recommend sensor circuit output	At $V_p = 5$ V, $I = 100$ mA max.	At $V_p = 12$ V, $I = 200$ mA max.
Trip point	Standard speed: $1700 \text{ min}^{-1} \pm 10\%$ Low speed: $850 \text{ min}^{-1} \pm 10\%$	
Response speed	Standard speed: Startup delay 18 s Detection delay 1 s Low speed: Startup delay 36 s Detection delay 2 s	
Insulation resistance	10 MΩ min. at a 500 VDC megger (Note)	
Dielectric strength	50/60 Hz, 1000 VAC, 1 minute (Note)	
Ambient conditions	Temperature: -10 to $+60^\circ\text{C}$, humidity: 90% RH max. (at 40°C)	

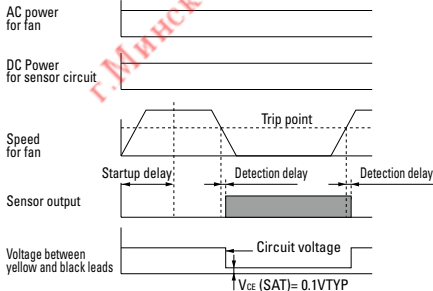


*[ITEM-20] and [ITEM-30] are printed on the fan nameplate.

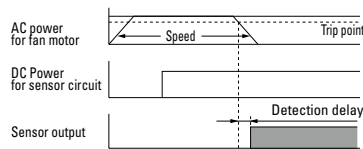
Note: Between one end that all sensor leads consisting of brown, yellow and black are tied together and the G terminal or power terminal of the fan.

Sensor scheme

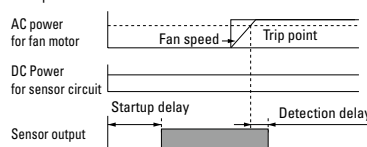
Example 1: When the AC power for the fan and the DC power for the sensor are turned on at the same time



Example 2: When the AC power for the fan is turned on first, then the DC power for sensor is powered on

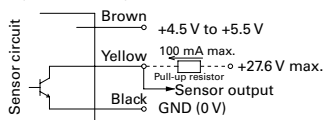


Example 3: When the DC power for sensor is first powered on, then the AC power for the fan is turned on

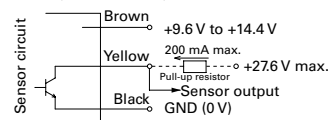


Sensor output circuit

5 V (ITEM-20*)



12 V (ITEM-30*)



GND (Black) should be shared in case that power supply for sensor circuit (Brown) and that for sensor pull-up (Yellow) are separated.

Fans with PWM Control Function

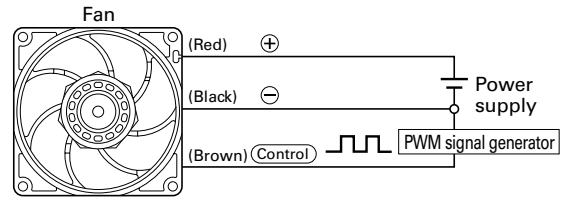
PWM control function DC

1. Overview

Pulse Width Modulation (PWM) control function enables you to externally control the speed of the fan by varying the duty cycles of PWM input signals between control and grounding terminals. It allows fans to operate optimally in response to the device's heat level, lowering the noise and power consumption of the system.

PWM control function has the following advantages:

- (1) Because the PWM signal is digitally input, precise control is possible.
- (2) Because the PWM signal is digitally input, multiple fans can be controlled.
- (3) Upon users request, how the fan speed responds to PWM signals can be customized. For example, fan can be set to stop or run at low speed at 0% PWM duty cycle.



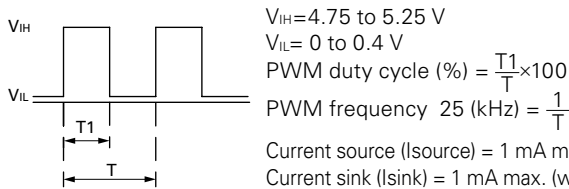
2. PWM duty input signals and wiring diagram

Other than a TTL input, an open collector/drain input can be used for PWM signal input.

Be noted that if an open collector/drain input is used or applied an input voltage and frequency is out of specified range, how the fan speed responds to the PWM duty cycle may be altered.

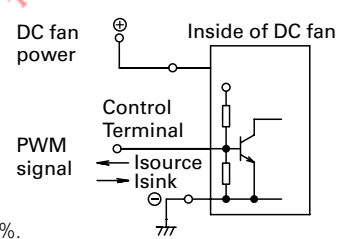
The input signal voltage and the frequency differ with models. Please contact us for details.

Example of input signal (TTL input)



Current source (I_{source}) = 1 mA max. (when control voltage is 0 V)
 Current sink (I_{sink}) = 1 mA max. (when control voltage is 5.25 V)
 Control terminal voltage = 5.25 V max. (when control terminal is open)
 When the control terminal is open, fan speed is the same as when PWM duty cycle is 100%.

Wiring example

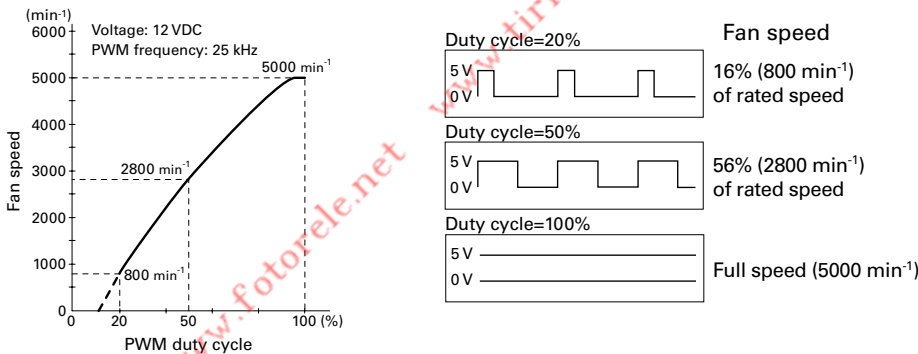


3. PWM duty cycle – Speed characteristics

Fan speed of PWM control fans change, as the below performance curve shows, in response to the PWM duty cycle input.

If necessary, users can do the speed setting by themselves, making the fans operate at the optimum speed.

Also, upon user's request, how fan speed responds to a PWM signal can be customized so that the fan stops or runs at low speed for a certain PWM duty cycle input. The below performance curve is for a fan that stops at 0% PWM duty cycle. Specifications differ with models. Please contact us for details.



The dotted part of the performance curve (area below 20% PWM duty cycle in the above case) indicates the fan speed is unstable in the area.

4. When you wish to obtain a fan performance with 100 or 0% PWM duty cycle without a PWM signal generator for built-in test.

Performance at 100% PWM duty cycle: Leave the control lead wire open and no connection.

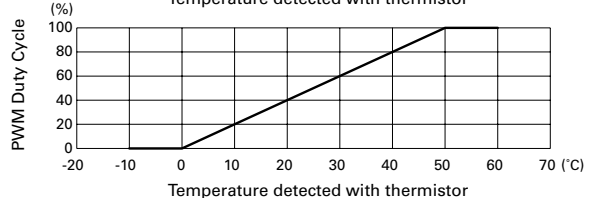
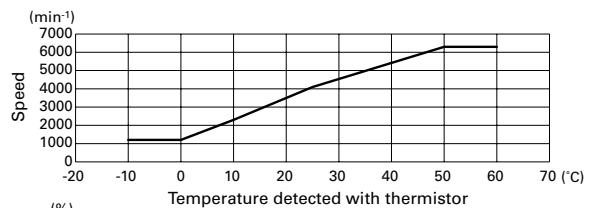
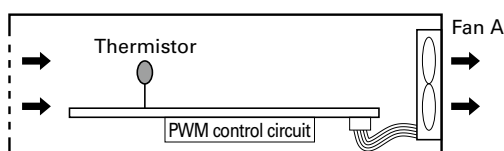
Performance at 0% PWM duty cycle: Connect the control lead wire directly to ⊖ pin.

5. Application examples of PWM control fan

Here are a few application examples of PWM control fan.

- (1) This system controls the fan speed in response to changing device temperature.

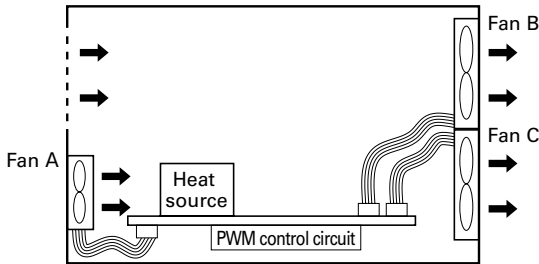
By combining a PWM control circuit and thermistor that detects temperature of device and its parts, it is able to control the fan speed of PWM control fan in response to the changing temperature.



(2) Simultaneous control of multiple fans

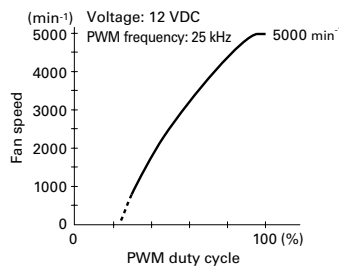
Because PWM control is done with digital signal inputs, regardless of fan types or input voltage, multiple fans can be controlled simultaneously.

Below figure shows a system that can control multiple fans with various PWM characteristics simultaneously. Such systems contribute to the low power consumption and noise.

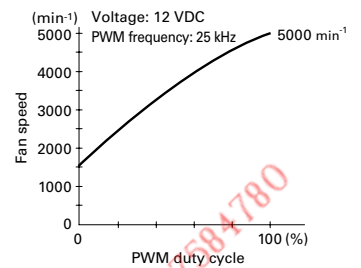


Operation mode	PWM Duty	Fan A	Fan B, C
Full-power	100%	5000 min ⁻¹	5000 min ⁻¹
Normal	60%	3500 min ⁻¹	4000 min ⁻¹
Standby (eco mode)	0%	Stop	1500 min ⁻¹

Fan A (model that stops at 0% PWM duty cycle)



Fan B, C (model that runs at low speed at 0% PWM duty cycle)



Controlling device that easily regulates the rotational speed of PWM control fans

DC

San Ace PWM Controller

■Features

Reduces system power consumption and fan noise

For PWM fan speed control, a PWM control circuit needs to be newly designed and configured.

By using this product, however, PWM control function fans can be fully utilized without the need for preparing new circuits, contributing to reducing the system power consumption and the fan noise.

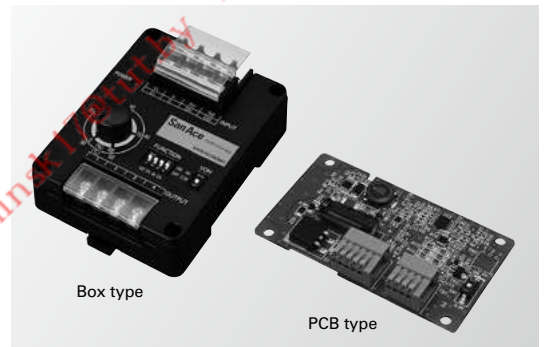
Can be common-powered by the fan power supply

The controller can be powered by the fan power supply of rated voltage 12, 24, and 48 VDC, and no separate supply is required.

Maximum of four fans connectable

Up to four fans with PWM control function can be connected and controlled.

Please refer to page 500 for detail.



г. Минск www.fotorele.net www.tiristor.by e-mail: minsk@fotorele.net тел. +375 44 758 4780

Splash Proof Fan

Ingress protection ratings (IP code)

DC

- IP Codes used by SANYO DENKI express the level of protection that internal electrical components (for fans: electrical components and motor coils) have against solid objects, water, and access to hazardous parts. San Ace Splash Proof fans feature high protection levels.

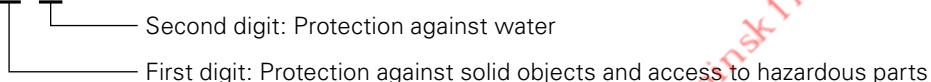


Protected electrical components and motor coils

- Definition of Ingress Protection (IP Code)

Ingress Protection (IP Code) is defined in IEC (International Electrotechnical Commission) 60529* DEGREES OF PROTECTION PROVIDED BY ENCLOSURES (IP Code). *IEC 60529:2001

I P X X



First digit	Definition
0	No protection
1	Protection against solid objects > 50 mm
2	Protection against solid objects > 12.5 mm
3	Protection against solid objects > 2.5 mm
4	Protection against solid objects > 1 mm
5	Protection against a level of dust that could hinder operation or impair safety
6	Complete protection against dust

Second digit	Definition
0	No protection
1	Protection against dripping water
2	Protection against water spray up to 15°
3	Protection against spraying water
4	Protection against splashing water
5	Protection against low pressure water jets
6	Protection against high pressure water jets
7	Protection against temporary immersion in water
8	Protection against submersion in water

UPS, inverter, rectifier, high-voltage power supply, etc.

Cautions for Use of a Cooling Fan in the Vicinity of a Power Switching Circuit (prevention of electrolytic corrosion)

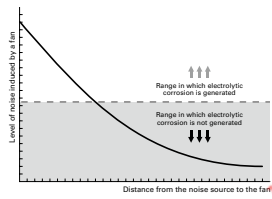
If a fan is installed near a large-power or high-voltage switching circuit, the heavy electromagnetic noise resulting from electromagnetic induction in such circuits or the influence of high-frequency noise imposed through the power line of the fan may induce current through the shaft bearing of the fan. Such current may damage the oil film on the bearing and even the friction surface of the bearing. This adverse effect is known as "electrolytic corrosion of the fan." Electrolytic corrosion affects the smooth revolution of the fan and may reduce its service life. An audible symptom is unusual noise emitted from the fan. This adverse effect is often observed and may partly be explained by the practice of mounting high-density parts, which reduces the gap between the switching circuits and the fan and the use of higher switching frequencies apt to provoke induction. Data processing/communications devices that operate at low voltages are not liable to electrolytic corrosion since they generate less electromagnetic noise.

A Case of electrolytic corrosion DC AC

Fans without anti-corrosion features installed near components that generate electromagnetic noise, such as inverter controllers, are liable to experience electrolytic corrosion.

No.	Use	Period until the occurrence of unusual noise
1	Switching power supply	6 months to 2 years
2	UPS	6 months to 2 years
3	General-purpose inverter	1 to 1.5 years
4	Air cleaner	2 to 3 months
5	Inverter for LCDs	6 months

The curve shown in the graph below represents the relationship between the level of the electromagnetic noise induced by a fan and the distance from the fan to the noise source.

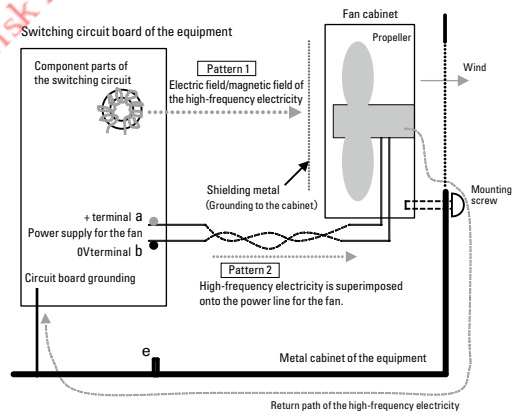


Occurrence of electrolytic corrosion Pattern 1

- (1) The fan gets charged with high-frequency electricity by high-frequency noise (electric field/magnetic field) generated in the switching circuit.
- (2) Because of high-frequency electricity charged in the fan, an electric current flows through the bearing of the fan.
- (3) The electric current breaks the oil membrane on the surface of the bearing and the bearing gets abraded (electrolytically corroded).
- (4) This symptom often occurs in equipment in which switching circuits are sped up and implemented in high density.
- (5) Countermeasure 1: To provide a shield plate* inside the fan (The plate should be such that does not interfere with airflow).
- (6) Countermeasure 2: To use a fan with ceramic bearings.

Occurrence of electrolytic corrosion Pattern 2

- (1) High-frequency electricity flows from the circuit board into the inside of the fan superimposed with the power line for the fan.
- (2) High-frequency electricity that has entered into the fan flows through the bearing.
- (3) Oil membrane on the surface of the bearing gets broken and the bearing gets abraded (electrolytically corroded).
- (4) Countermeasure 1: To remove high-frequency component between terminals "a" and "b", "a" and "e" and "b" and "e" of the power supply for the fan, or to insert a filter** into the power line for the fan.
- (5) Countermeasure 2: To use a fan with ceramic bearings
- (6) Cables should be twisted in order to decrease induction to the power line for the fan.



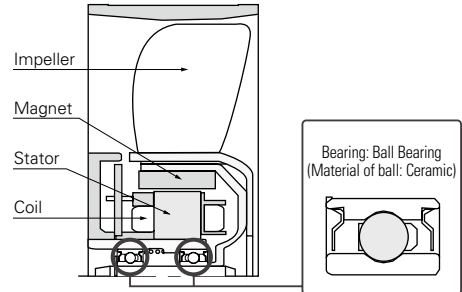
* Shielding metal plate
As an electromagnetic shield metal, "EMC Guard" is available from our company. <http://www.sanyodenki.co.jp/product/newfan/indexf.html>
Certain shielding effect can be expected from mounting a general-purpose finger guard inside the fan. In each case, grounding to the cabinet is required.
** Filter
Insert a common mode filter when the high-frequency electricity is superimposed on both lines "a" and "b" in the same phase and, if not, insert a normal mode filter.

Measures against electrolytic corrosion DC AC

- Relocate fans far from all electromagnetic noise sources.
- Attach an EMC guard to ordinary fans. This should have an effect on electromagnetic noise due to radiation.
- As a power supply, the fan is wired from a circuit for which noise is not superimposed.
- Against heavy electromagnetic noise (electromagnetic induction) and conductive noise from the power supply line for a fan, we recommend the use of an "Electrolytic corrosion proof fan" with ceramic bearing.

This cooling fan prevents electrolytic corrosion of bearings even under conditions where electromagnetic noise is generated. Electrolytic corrosion of ball bearings is prevented by using ceramic balls in ball bearings. The ceramic material is an insulating material. Manufacturable to meet specifications of all San Ace series fans.

Component diagram



Caution

Electrolytic Corrosion Proof Fan has been designed to prevent the electrolytic corrosion of ball bearings in the fan, but this does not guarantee that the fan will operate normally under conditions where there is strong electromagnetic noise. Please be sure to fully evaluate the value of fan malfunction due to noise in advance.

Safety Standards

List of safety standards acquired → refer to the index (pp. 542 to 565)

Description of safety standards

1. UL ratings (USA)



Underwriters Laboratories Inc. was established by the American Union of Fire Insurance Underwriters. The purpose of UL is to ensure safety of machines, equipment, and materials and protect human lives and property from fire and other accidents. To that end, UL has conducted numerous tests and extensive research and, as a result, set up UL ratings. Any seller of products in any of the majority of the states of the USA must produce their products according to the UL ratings, have them pass UL-specified safety inspections, and have them listed in UL's registration book. Therefore, to export and sell any product in the United States, one must in most cases apply for UL-listing. Additionally, UL is accredited by The Standards Council of Canada (SCC) as both a Certification Organization (CO) and a Testing Organization (TO) and is officially recognized in all provinces and territories throughout Canada. Accordingly, our products can be tested by UL for compliance with Canadian safety standards. Certified products are entitled to display the C-UL Mark, which authorizes their use and sale in Canada. If products are deemed to be compliant with both U.S. and Canadian standards, then both the UL Mark and C-UL Mark can be displayed or a combination U.S. and Canadian mark (bottom left). Our products are certified as satisfying all UL 507 requirements.

2. CSA standards (Canada)



The Canadian Standards Association (CSA) was set up in response to the advice of the Canadian government. In Canada, the law prohibits the use and sale of any product other than those approved under CSA in terms of safety. CSA has set up CSA standards as inspection procedures and other requirements to ensure product safety. Our products are certified as satisfying the CSA standard C22.2 No. 113.

3. EN standards (EU members)



In the EU territory, the harmonization of industrial standards and safety standards of different countries is under way. The unified standards are called Harmonized Standards. Each of these standards is marked EN above the standard number. EN standards offer the grounds in design and manufacture when one exports a product to the EU territory. In order for a product to receive a safety marking, the product must be found to conform to TÜV, VDE, or other relevant standard. Our products are certified as satisfying all TÜV Rheinland EN60950 requirements.

4. Electrical appliance and material safety law



As of April 1, 2001, the Electrical Appliance and Material Control Law has been revised and reenacted as the Electrical Appliance and Material Safety Law. AC fans are classified as 'Blowers' under 'Electric motor-operated appliances'. They are categorized as electrical products other than specific electrical appliances (with the exception of some models) and are required to be labeled to indicate PSE certification.

5. CE marking



To distribute their equipment in the EU territory, manufacturers are obligated to give a CE marking as proof that the equipment conforms to related EC directives. Manufacturers use EN standards as criteria of judgment as to whether the equipment satisfies the requirements of specific directives or, in the absence of applicable EN standards, they use IEC standards. Manufacturers then prepare a self-declaration to indicate that the equipment conforms to related directives and apply a CE marking. (Depending on the degree of risk of the equipment, some kinds of equipment are required to receive type tests conducted by certified authorities and, after a type test certificate is obtained, manufacturers make a self-declaration.)

Scope of application and compulsory timing of major EC directives

Machine directives

These directives apply to equipment that has a moving part that may injure humans. The directives generally apply to a wide range of machine tools and other industrial machines.

EMC directives

They apply to equipment which may be affected by electromagnetic interference (EMI) or has electromagnetic susceptibility (EMS).

Low-voltage directive

This directive applies to equipment that is used in an AC range between 50 and 1000 V and in a DC range between 75 and 1500 V.

JIS: Japanese Industrial Standards

Japan's national standards related to mining and manufacturing industries

IEC : International Electrotechnical Commission

This is an international commission on electrical standardization. This commission promotes the unification and cooperation of international standards related to electric and electronics engineering and issues IEC standards in order eventually to allow different countries to conform to the international standards.

DIN : Deutsches Institut für Normung e.V.

This is a German standards institute. The institute uses a wide-range set of standards covering many industrial sectors. The set of standards includes basic standards.

VDE : Verband Deutscher Elektrotechniker e.V.

It is a German association of electric engineers. VDE establishes safety standards related to electrical engineering and issues them as DIN-VDE standards.

RoHS Directive

Since October 2012, all the products in this catalog have complied with the maximum concentration values of the hazardous substances referred to in the Annex II to EU RoHS Directive 2011/65/EU,* except for the exempted applications specified in the Annex III to the Directive.

Please note that SANYO DENKI does not use exemption 7(c)-III: Lead in dielectric ceramic in capacitors for a rated voltage of less than 125 VAC or 250 VDC, for those products.

* Lead, mercury, cadmium, hexavalent chromium, polybrominated biphenyls (PBB) and polybrominated diphenyl ethers (PBDE)

RoHS Directive:

DIRECTIVE 2011/65/EU OF THE EUROPEAN PARLIAMENT AND OF THE COUNCIL of 8 June 2011 on the restriction of the use of certain hazardous substances in electrical and electronic equipment

Eco-products

Efforts for designing Eco-products

As for product design, we are carrying out R&D to incorporate the latest energy-saving technologies into our new products.

At the same time, we carry out product assessments to evaluate the environmental impact of products at each stage, such as component and material procurement, manufacture, distribution, use, recycling, and disposal.

Newly developed products are compared with commercially available and existing products and are certified as Eco-products (Eco-design products) if they satisfy the specified evaluation standards. Eco-products are presented in catalogues and other materials with a LEAF symbol.



ECO PRODUCTS

Life cycle assessment (LCA)

LCA is one of the techniques used to provide a general quantitative measure of levels of environmental impact including global warming that products have through their life cycles. We evaluate the environmental compatibility of a product using this method. Our rate of implementing LCA in our Eco-products was 90%.

г.Мінск www.fotorele.net www.tiristor.by email minsk@otut.by TEL +375447584780

Operating Precautions DC AC

Temperature conditions

Operating temperature: Refer to the specifications table for each model.

Storage temperature: -20 ~ +70°C / -30 ~ +70°C (Varies for each model / Non condensing)

* Rapid change in temperature may cause condensation. Prevent condensation when storing. Condensation may affect lubrication performance and insulation.

Power specifications

For the specification of rated voltage and voltage range, please check the catalog or drawing for the model number.

Use of voltage exceeding the specified range may lead to performance degradation, device failure, or fire hazards. Do not apply voltage that exceeds specifications to the fan.

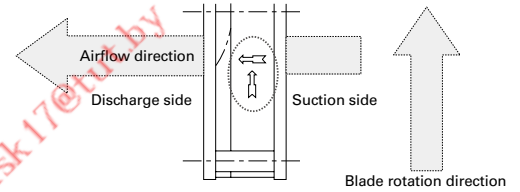
An electronic circuit is used for the DC fan. For power supply, use power with ripple less than 5% with low line noise and surge to prevent electronic circuit trouble.

Handling precautions

The fan motor is equipped with a precision ball bearing. Therefore, please handle the motors carefully in order not to shock the bearings.

Installation tips

There are no limitations on the installation direction of fans or blowers. Fans have symbols on the fan indicating the airflow direction and blade rotation direction. When installing, use these symbols to check the airflow direction.



Symbols indicating the fan airflow direction and blade rotation direction

Recommended screw torque

This shows the recommended values for the screw torque when installing the fans. If the tightening torque is higher than the recommended values, the fan can be deformed or damaged.

Use care when tightening. Also, be sure to always use a fan with a ribbed structure when securing by screws with both flanges.

DC fan

Fan mounting hole diameter [mm]	Nominal screw diameter	Recommended screw torque
ø3.5	M3	0.44 N·m max.
ø4.3, ø4.5	M4	0.78 N·m max.
ø4.3, ø4.5	M4	0.98 N·m max. (ø172 mm×51 mm, ø172 mm×150 mm×51 mm, ø200×70 mm)

AC fan

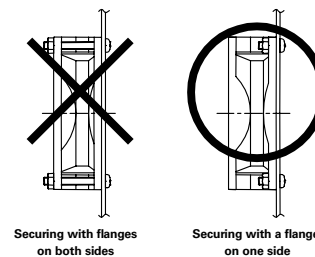
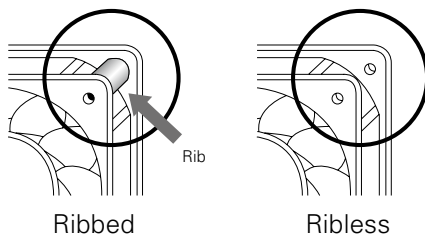
Fan mounting hole diameter [mm]	Nominal screw diameter	Recommended screw torque
ø3.5, ø3.7	M3	0.44 N·m max.
ø4.3	M4	0.58 N·m max. (120 mm×120 mm max.)
ø4.3	M4	0.78 N·m max. (ACDC fan, ø172 mm)
ø5.5	M4, M5	0.78 N·m max. (160 mm×160 mm)

Comparison of ribbed and ribless structures

Regarding plastic frame, we have a option ribbed and ribless about mounting. Please use preferred type up to your application. Please use ribbed fan in case that you hook fan up clamping either side fan mounting hole target. (According to the model, only models with or without ribs are available.)

*Use a fan with a rib structure when securing by screws with both flanges.

· When securing screws to ribless plastic frame models, use a flange to secure on one side.



Fan Mounting Using Self-tapping Screw DC

Installing self-tapping screws into the plastic frame of the fan may split or deform it.

If using self-tapping screws, use screws that are recommended by our company, and refer to our recommended tightening torques and recommended pilot hole shapes. Pay close attention to the operating precautions and fully understand your equipment before you use it.

Recommended screw torques

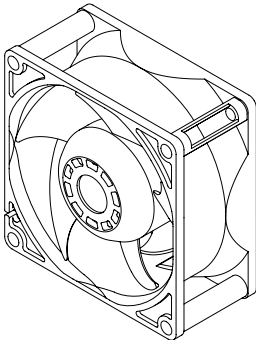


Fig. A: Ribbed fan

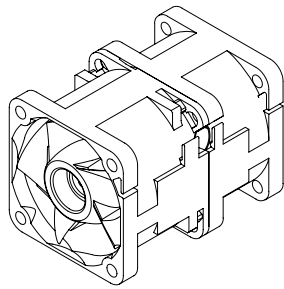


Fig. B: Counter rotating fan

	Recommended screw torque [N·m]	Fan mounting hole diameter [mm]
Ribbed fan (Fig. A)	0.8 max.	ø3.5. ø4.3. ø4.5
Counter rotating fan (Fig. B)	0.6 max.	

Do not use self-tapping screws in the following cases:

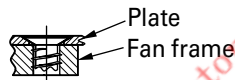
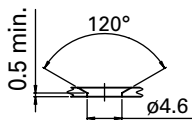
- For ribless fans (except for counter rotating fans)
- When mounting finger guards on fans

Using self-tapping screws could deform or split the frame. Please use regular screws.

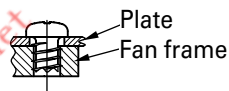
Recommended pilot hole shape

[For nominal diameter 4 mm]

Self-tapping screw model no.
SY-NS020412P11



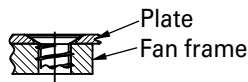
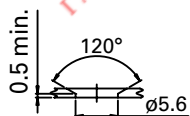
Self-tapping screw model no.
SY-NS010412P11



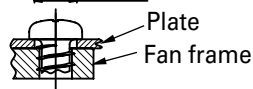
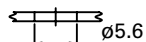
Minimum mounting plate thickness: T=1.2 mm

[For nominal diameters of 4.8 mm and 5 mm]

Self-tapping screw model no.
SY-NS024812P15
SY-NS020512P15



Self-tapping screw model no.
SY-NS014812P15
SY-NS010512P15



Minimum mounting plate thickness: T=1.2 mm

Recommended self-tapping screws

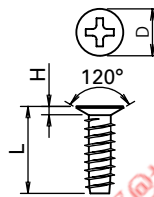
· Material: Steel

· Plating: Trivalent chromating plating

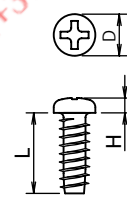
unit: mm

Fan mounting hole diameter	Self-tapping screw model no.	Nominal screw diameter	Length [L]	Head shape	Flat-head/pan-head dimensions		
					Head diameter [D]	Height of head [H]	Cross recess No.
ø3.5	SY-NS020412P11	4	12	Flat	6.2	1.1 max.	2
	SY-NS010412P11	4	12	Pan	5.5	2.0	2
ø4.3	SY-NS024812P15	4.8	12	Flat	6.8	1.2 max.	2
	SY-NS014812P15	4.8	12	Pan	7.0	2.6	2
ø4.5	SY-NS020512P15	5	12	Flat	6.8	1.2 max.	2
	SY-NS010512P15	5	12	Pan	7.0	2.6	2

Head shape: Flat

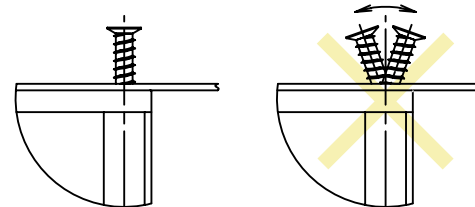


Head shape: Pan



Operating precautions

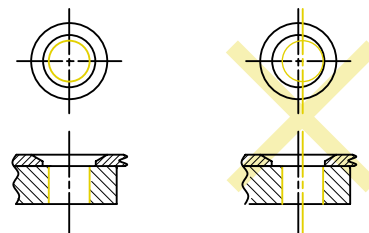
- Place the self-tapping screw so that it is vertical and centered with the frame mounting hole (Fig. A) and then screw it in. The self-tapping screw could deform or split the frame if you screw it into the frame when the screw is not vertical.
- Screw in the self-tapping screw with the center of the mounting hole on the fan and the center of the pilot hole on the mounting plate aligned (Fig. B). Misaligned holes could lead to the frame being deformed or split.



Vertically placed screw

Inclined screw

Fig. A



Aligned and centered holes

Misaligned holes

Fig. B

- Tightening the screw beyond the recommended screw torque could deform or split the frame.
- With flat-head screws, failure to use the recommended pilot hole shape will cause interference between the flat-head screw and fan frame which could split the frame.

Recommended screw manufacturer

To purchase the screws, please contact the screw manufacturer directly.

SAIMA CORPORATION

2-9-17 Tsujido Fujisawa Kanagawa 251-0047 JAPAN



TEL:+81-466-36-3656 FAX:+81-466-36-0009

<http://www.saima.co.jp/English/>

Safety Precautions DC AC

- In order to ensure that this product is used safely, be sure that you read and understand the following precautions fully and use the product only as directed.
- Be sure to read these Safety Precautions carefully before installing, connecting, operating, maintaining, or inspecting this product. Follow all the precautions and directions given here.
- This product has been designed and manufactured for use as a device to be used in general industrial machinery, and may not be used as a standalone product.
- The product of our company (hereafter called the product) falls into the category of the products specified in the Attached List 1, Item 16 (Class 84, Item 14) of the Export Trade Control Ordinance. To export the product as an individual part or to export a product into which the product is assembled, the "Information Requirements" and "Objective Requirements" that the Ministry of Economy, Trade and Industry established based on the "Catchall Controls" must be studied for applicability. Based on information on applicability and specified requirements, appropriate export formalities must be performed.

In order to prevent any possible bodily injury or damage to property or equipment, the following precautions for ensuring safety are displayed according to the following two ranks of importance:

 Danger	Handling or using the product improperly and in disregard of the instructions with this mark might result in serious bodily injury or death.
 Warning	Handling or using the product improperly and in disregard of the instructions with this mark might result in bodily injury or physical damage.

* Items marked 'Warning' might also result in serious bodily injury or death in some circumstances. Always follow the instructions for items marked 'Danger'.

Descriptions of the precautions to be taken to ensure safety are given below.

Danger

- If the product is used in medical appliances or other types of equipment that affect people's lives, sufficient safety-related evaluations and preparations must be made in advance, and the product or the type of equipment into which the product is assembled must be used on the user's own responsibility.
- If the product is used in types of equipment that have a strong social and public impact, sufficient prior evaluations and safety-related evaluations and preparations must be made, and the product or the type of equipment into which the product is assembled must be used on the user's own responsibility.
- If the product is used in an environment where there are vibrations, for example, in a car or aboard a ship, sufficient prior evaluations and safety-related evaluations and preparations must be made, and the product or the piece of equipment into which the product is assembled must be used on the user's own responsibility.
- Connect all wires properly and securely. Failure to do so might result in burns, fire, or exposure to electrical shock.
- If there are any grounding taps or wires, attach all grounds securely. Failure to do so might result in exposure to electrical shock.
- Never use in explosive atmosphere, as doing so might result in fires, burns, or bodily injury.
- Never operate with any live wires exposed, as doing so might result in electrical shock.
- Never allow any persons or objects to approach or come into contact with the rotor while in operation, as doing so might result in damage or personal injury.
- Turn off the power and stop using the product immediately if you notice any sparks, smoke, odd odors, sounds, or anything unusual during operation. Failure to do so might result in fire, burns, or electrical shock.
- Never allow the product to fall, topple over, or otherwise be subjected to excessive shocks when moving it, as doing so might result in product breakdown or substandard operation.
- The product should be handled only by personnel with sufficient training and knowledge and under the responsibility of the end user.
- Never attempt to disassemble, repair, or alter this product in any way, as doing so might result in fire, burns, or electrical shock.
- Dispose of the product as industrial waste. Please contact your local government office for further details about disposal.

Warning

Handling

- Installation, placement, connections, wiring, or relocation of the product should be performed by knowledgeable or correctly licensed personnel. Never perform such work while the product is live as this might lead to injury, electrical shock, burns, or fire.
- Do not use the fan if not fixed or stand in hand.
- Never allow yourself to come into contact with the ends of wires or plugs when measuring the insulation resistance or dielectric strength voltage. This might result in electrical shock.
- Never attempt to disassemble or alter this product in any way. Doing so might invalidate any warranties concerning the functions or performance of the product, and might also result in fire, burns, bodily injury, or electrical shock.

Instruction

- If the fan stops during operation, give proper consideration to the device for its protection.
- Never use the product at voltages, temperatures, or any other settings which exceed those given in the product specifications. This might result in substandard operation, breakdown, fire, bodily injury, or electrical shock.
- The fan may fail to operate properly if there is insufficient power capacity, because the starting current is several times larger than the rated current will flow at the moment of the voltage is supplied to the fan. Be sure to inquire about startup current levels for individual models.
- Do not control the speed of the fan by power supply PWM. It may cause fan failure.
- Start up all fans at the same possible timing if two or more fans which wind interferes with each other are installed in the device.
If the fan is exposed to wind from other fans at start up, it may cause fan failure or the fan may not start up correctly.
- Never insert or remove any lead wires, plug cord or connectors while the power is turned on. When inserting or removing plugs or connections, always be sure to first check that the power has been turned off and hold the housing of the plug or connector when doing so. Failure to do so might result in damage or exposure to electrical shock.
- Do not remove the lead wire from the frame hook. It may scratch and damage the surface of the lead wire.
- Never remove the product identification plate. This might result in breakdown or electrical shock.
- Do not push the nameplate of the DC fan with strong force. The nameplate may break and touch the shaft.
- The product might become damaged if foreign objects or external forces are allowed to interfere with normal fan operation.
- Do not implement ON-OFF of power supply in negative line. That might cause damage of the fan.

Warning

Installation

- When fixing this product into place, be sure to take into consideration the product's weight, the vibrations generated during operation, and all other relevant factors. Failure to do so might cause the product or parts of it to fall out of position, resulting in bodily injury or malfunction of the product.
- Be sure to check the direction of installation (i.e., the fan), as failing to do so might result in bodily injury or mechanical breakdown.
- In order to ensure that the product operates properly, allow spaces for ventilation and take whatever steps necessary to prevent the entry of foreign objects. Failure to do so might result in bodily injury or mechanical breakdown.
- When fixing the fan with screws, make sure the screw and sheet metal do not deform the frame of the fan before operation. If the frame of the fan is deformed, mechanical failure may be occurred or specified performance may not be generated.
- When fixing the fan with screws, ensure the screwing torque. If the screwing torque is over the recommended screw torque, fan frame may be deformed or damaged. Use a plastic frame with a ribbed structure when securing by screws with both flanges. In order to prevent from loosening screw, please use plain washer and spring lock washer. For screwing torque of each fan type, contact SANYO DENKI or SANYO DENKI distributor.
- When fixing the fan with self-tapping screws, fan frame may be damaged.
- When excessive shock is attached to fan, impeller may be protruded from the surface of fan frame. Make sure that impeller does not touch cover such as finger guard and mounting plate. Do not give excessive shock to fan to avoid fan failure and deteriorate of fan performance.
- Pulling or pinching the lead wires could result in damage to the wire, and you should avoid placing excessive stresses on these wires. The device should also be installed so that the lead wires are not allowed to come into contact with the rotor or blades. Failure to do so might result in damage or exposure to electrical shock.
- Take proper precautions against static electricity when making electrical connections. Failure to do so might cause the breakdown of the fan or device.
- Install a finger guard or other cover if there is any danger of fingers, hands or objects coming into contact with the rotor or blades. Failure to do so might result in bodily injury or mechanical breakdown.
- Install the finger guard, filter, and plate to the fan in the correct position while avoiding touching of the rotor blade. Avoiding this will prevent device failure. Please use SANYO DENKI genuine finger guards and filter kits.
- Make electrical connections properly. If not, there is a possibility that breakdown of device, malfunction, breakdown and deterioration of product might cause.

Installation of centrifugal fan

- The fan shall be fixed with screws. For screw size of each fan type, refer to drawing or catalog.
- Do not use the screws with length over the depth of mounting screw. Fan might not be fixed by damaging threaded hole. For depth of mounting screw of each fan type, refer to drawing or catalogue.
- When fixing the fan with screws, ensure the screwing torque. If the screwing torque is over the recommended screw torque, threaded holes may be damaged. Also, in order to prevent from loosening screw, please use plain washer and spring lock washer. For screwing torque of each fan type, contact SANYO DENKI or SANYO DENKI distributor.
- When excessive shock is given to fan, impeller may be protruded. Make sure that impeller does not touch cover such as inlet nozzle and finger guard, and mounting plate. For positional relation among the fan, inlet nozzle, and plate of each fan type, refer to drawing or catalog.
- Install the inlet nozzle, finger guard, and plate to the fan in the correct position while avoiding touching of the rotor blade. Avoiding this will prevent device failure. Please use SANYO DENKI genuine inlet nozzle.

Environment of usage

- The product must not be used or stored in a flammable or corrosive gas atmosphere, in a place where water or oil splashes (not applicable to Splash Proof or Oil Proof Fans), in a place where there is much dust or humidity, in a place where condensation occurs, in a place where the product is exposed to radioactive rays or is in direct sunlight, in a place where a salty sea breeze blows or seawater splashes, or in an environment where the product may be contaminated by such corrosive materials as sulfurous water, sulfurous volcanic ash, organic solvents, acidic chemicals, alkali chemicals, etc., such hazardous substances as nuclear fuel materials, etc. If it is used or stored in such places or environments, there is the possibility that a fire may occur, the product may malfunction or its performance may deteriorate.
- Avoid using or storing the product in locations and an environment where it could be constantly exposed to vibrations, strong shocks, centrifugal force (not applicable to G Proof Fans), magnetic or electromagnetic noise, and which the electromagnetic noise overlaps into power voltage. This might result in product breakdown or substandard operation.
- Avoid using or storing the product under environments where rapidly changed such as thermal and humidity change. This might result in product breakdown or deterioration.

Maintenance

- Maintenance and inspections should always be performed by personnel with sufficient training and knowledge. Failure to do so might result in fire, burns, bodily injury, or electrical shock.
- Never perform any maintenance or inspections while the product is in operation. Also note that the blades continue to rotate for some time immediately after operation ceases. You should always be sure to check to see that all rotating parts have come to a stop before beginning work.
- Never use gasoline, paint thinner, benzene, or any other organic solvents to clean the product as this could result in the deformation or substandard operation.

Index by Model No./Safety Standards List - DC Fans DC

Models listed in the main section of this catalog	List of models (models not listed in the main section of this catalog are options. Standards for optional model numbers may differ from the certified standards listed at right. Contact us for details of models with "-" model numbers.)				Frame size	Rib	Standard (certification status is for the models listed in this catalog, and standards for optional model numbers may differ.)			page
	Without sensor	With pulse sensor	With lock sensor	With PWM control function and pulse sensor			UL	CSA	TÜV	
							(cUL)	(cUL)		
109BC12FC7-1	109BC12FA7-1	109BC12FC7-1	109BC12FD7-1	—	52 × 15 mm	—	✓	✓	✓	436
109BC12GC7-1	109BC12GA7-1	109BC12GC7-1	109BC12GD7-1	—	52 × 15 mm	—	✓	✓	✓	436
109BC12HC7-1	109BC12HA7-1	109BC12HC7-1	109BC12HD7-1	—	52 × 15 mm	—	✓	✓	✓	436
109BC12MC7-1	109BC12MA7-1	109BC12MC7-1	109BC12MD7-1	—	52 × 15 mm	—	✓	✓	✓	436
109BC24FC7-1	109BC24FA7-1	109BC24FC7-1	109BC24FD7-1	—	52 × 15 mm	—	✓	✓	✓	436
109BC24GC7-1	109BC24GA7-1	109BC24GC7-1	109BC24GD7-1	—	52 × 15 mm	—	✓	✓	✓	436
109BC24HC7-1	109BC24HA7-1	109BC24HC7-1	109BC24HD7-1	—	52 × 15 mm	—	✓	✓	✓	436
109BD12FC2	109BD12FA2	109BD12FC2	109BD12FD2	—	76 × 30 mm	—	✓	✓	✓	440
109BD12HC2	109BD12HA2	109BD12HC2	109BD12HD2	109BD12P2H01	76 × 30 mm	—	✓	✓	✓	440
109BD12MC2	109BD12MA2	109BD12MC2	109BD12MD2	—	76 × 30 mm	—	✓	✓	✓	440
109BD24FC2	109BD24FA2	109BD24FC2	109BD24FD2	—	76 × 30 mm	—	✓	✓	✓	440
109BD24HC2	109BD24HA2	109BD24HC2	109BD24HD2	—	76 × 30 mm	—	✓	✓	✓	440
109BD24MC2	109BD24MA2	109BD24MC2	109BD24MD2	—	76 × 30 mm	—	✓	✓	✓	440
109BG12HC1	109BG12HA1	109BG12HC1	109BG12HD1	—	160 × 40 mm	—	✓	✓	✓	455
109BG12MC1	109BG12MA1	109BG12MC1	109BG12MD1	—	160 × 40 mm	—	✓	✓	✓	455
109BG24HC1	109BG24HA1	109BG24HC1	109BG24HD1	—	160 × 40 mm	—	✓	✓	✓	455
109BG24MC1	109BG24MA1	109BG24MC1	109BG24MD1	—	160 × 40 mm	—	✓	✓	✓	455
109BJ12HC2	109BJ12HA2	109BJ12HC2	109BJ12HD2	—	127 × 32 mm	—	✓	✓	✓	453
109BJ12MC2	109BJ12MA2	109BJ12MC2	109BJ12MD2	—	127 × 32 mm	—	✓	✓	✓	453
109BJ24HC2	109BJ24HA2	109BJ24HC2	109BJ24HD2	—	127 × 32 mm	—	✓	✓	✓	453
109BJ24MC2	109BJ24MA2	109BJ24MC2	109BJ24MD2	—	127 × 32 mm	—	✓	✓	✓	453
109BM12GC2-1	109BM12GA2-1	109BM12GC2-1	109BM12GD2-1	—	97 × 33 mm	—	✓	✓	✓	442
109BM12HC2-1	109BM12HA2-1	109BM12HC2-1	109BM12HD2-1	—	97 × 33 mm	—	✓	✓	✓	442
109BM12MC2-1	109BM12MA2-1	109BM12MC2-1	109BM12MD2-1	109BM12P2M01	97 × 33 mm	—	✓	✓	✓	442
109BM24GC2-1	109BM24GA2-1	109BM24GC2-1	109BM24GD2-1	—	97 × 33 mm	—	✓	✓	✓	442
109BM24HC2-1	109BM24HA2-1	109BM24HC2-1	109BM24HD2-1	—	97 × 33 mm	—	✓	✓	✓	442
109BM24MC2-1	109BM24MA2-1	109BM24MC2-1	109BM24MD2-1	—	97 × 33 mm	—	✓	✓	✓	442
109E1312A101	109E1312A102	109E1312A101	109E1312A1D01	—	127 × 127 × 38 mm	No	✓	✓	✓	189
109E1312S101	109E1312S102	109E1312S101	109E1312S1D01	—	127 × 127 × 38 mm	No	✓	✓	✓	189
109E1324A101	109E1324A102	109E1324A101	109E1324A1D01	—	127 × 127 × 38 mm	No	✓	✓	✓	189
109E1324G101	109E1324G102	109E1324G101	109E1324G1D01	—	127 × 127 × 38 mm	No	✓	✓	✓	189
109E1324S101	109E1324S102	109E1324S101	109E1324S1D01	—	127 × 127 × 38 mm	No	✓	✓	✓	189
109E1348A101	109E1348A102	109E1348A101	109E1348A1D01	—	127 × 127 × 38 mm	No	✓	✓	✓	189
109E1348G101	109E1348G102	109E1348G101	109E1348G1D01	—	127 × 127 × 38 mm	No	✓	✓	✓	189
109E1348S101	109E1348S102	109E1348S101	109E1348S1D01	—	127 × 127 × 38 mm	No	✓	✓	✓	189
109E1712F501	109E1712F502	109E1712F501	109E1712F5D01	—	Ø172 × 51 mm	No	✓	✓	✓	213
109E1712H501	109E1712H502	109E1712H501	109E1712H5D01	—	Ø172 × 51 mm	No	✓	✓	✓	213
109E1712K501	109E1712K502	109E1712K501	—	—	Ø172 × 51 mm	No	✓	✓	✓	213
109E1712M501	109E1712M502	109E1712M501	—	—	Ø172 × 51 mm	No	✓	✓	✓	213
109E1712Y501	109E1712Y502	109E1712Y501	—	—	Ø172 × 51 mm	No	✓	✓	✓	213
109E1724C501	109E1724C502	109E1724C501	109E1724C5D01	9EH1724P5C01	Ø172 × 51 mm	No	✓	✓	✓	213
109E1724F501	109E1724F502	109E1724F501	109E1724F5D01	—	Ø172 × 51 mm	No	✓	✓	✓	213
109E1724H501	109E1724H502	109E1724H501	109E1724H5D01	—	Ø172 × 51 mm	No	✓	✓	✓	213
109E1724K501	109E1724K502	109E1724K501	109E1724K5D01	—	Ø172 × 51 mm	No	✓	✓	✓	213
109E1724M501	109E1724M502	109E1724M501	109E1724M5D01	—	Ø172 × 51 mm	No	✓	✓	✓	213
109E1748C501	109E1748C502	109E1748C501	—	—	Ø172 × 51 mm	No	✓	✓	✓	213
109E1748F501	109E1748F502	109E1748F501	—	—	Ø172 × 51 mm	No	✓	✓	✓	213
109E1748H501	109E1748H502	109E1748H501	109E1748H5D01	—	Ø172 × 51 mm	No	✓	✓	✓	213
109E1748K501	109E1748K502	109E1748K501	—	109E1748P5K03	Ø172 × 51 mm	No	✓	✓	✓	213
109E1748M501	109E1748M502	109E1748M501	—	—	Ø172 × 51 mm	No	✓	✓	✓	213
109E4712L401	109E4712L402	109E4712L401	109E4712L4D01	—	Ø172 × 147 × 25 mm	No	✓	✓	✓	200
109E4712M401	109E4712M402	109E4712M401	109E4712M4D01	—	Ø172 × 147 × 25 mm	No	✓	✓	✓	200

Please contact your point of sale regarding low-speed sensors.

Standard name	Certification number
UL	E46810
CSA	172248

TÜV certification numbers differ by model.

The content of this catalog is current as of September 2017. Please ask us about new products that we released after September 2017 if you want.

Models listed in the main section of this catalog	List of models (models not listed in the main section of this catalog are options. Standards for optional model numbers may differ from the certified standards listed at right. Contact us for details of models with "-" model numbers.)				Frame size	Rib	Standard (certification status is for the models listed in this catalog, and standards for optional model numbers may differ.)			page
	Without sensor	With pulse sensor	With lock sensor	With PWM control function and pulse sensor			UL (cUL)	CSA (cUL)	TÜV	
							✓	✓	✓	
109E4724F401	109E4724F402	109E4724F401	109E4724F4D01	—	∅172 × 147 × 25 mm	No	✓	✓	✓	200
109E4724H401	109E4724H402	109E4724H401	109E4724H4D01	109E4724P4H01	∅172 × 147 × 25 mm	No	✓	✓	✓	200
109E4724L401	109E4724L402	109E4724L401	109E4724L4D01	—	∅172 × 147 × 25 mm	No	✓	✓	✓	200
109E4724M401	109E4724M402	109E4724M401	109E4724M4D01	—	∅172 × 147 × 25 mm	No	✓	✓	✓	200
109E4748F401	109E4748F402	109E4748F401	109E4748F4D01	—	∅172 × 147 × 25 mm	No	✓	✓	✓	200
109E4748H401	109E4748H402	109E4748H401	109E4748H4D01	—	∅172 × 147 × 25 mm	No	✓	✓	✓	200
109E4748L401	109E4748L402	109E4748L401	109E4748L4D01	—	∅172 × 147 × 25 mm	No	✓	✓	✓	200
109E4748M401	109E4748M402	109E4748M401	109E4748M4D01	—	∅172 × 147 × 25 mm	No	✓	✓	✓	200
109E4748S401	109E4748S402	109E4748S401	109E4748S4D01	—	∅172 × 147 × 25 mm	No	✓	✓	✓	200
109E5712F501	109E5712F502	109E5712F501	—	—	∅172 × 150 × 51 mm	No	✓	✓	✓	210
109E5712H501	109E5712H502	109E5712H501	109E5712H5D01	—	∅172 × 150 × 51 mm	No	✓	✓	✓	210
109E5712K501	109E5712K502	109E5712K501	109E5712K5D01	109E5712P5K04	∅172 × 150 × 51 mm	No	✓	✓	✓	210
109E5712M501	109E5712M502	109E5712M501	109E5712M5D01	—	∅172 × 150 × 51 mm	No	✓	✓	✓	210
109E5712Y501	109E5712Y502	109E5712Y501	—	—	∅172 × 150 × 51 mm	No	✓	✓	✓	210
109E5724C501	109E5724C502	109E5724C501	109E5724C5D01	9EH5724P5C01	∅172 × 150 × 51 mm	No	✓	✓	✓	210
109E5724F501	109E5724F502	109E5724F501	—	—	∅172 × 150 × 51 mm	No	✓	✓	✓	210
109E5724H501	109E5724H502	109E5724H501	109E5724H5D01	—	∅172 × 150 × 51 mm	No	✓	✓	✓	210
109E5724K501	109E5724K502	109E5724K501	109E5724K5D01	—	∅172 × 150 × 51 mm	No	✓	✓	✓	210
109E5724M501	109E5724M502	109E5724M501	—	—	∅172 × 150 × 51 mm	No	✓	✓	✓	210
109E5748C501	109E5748C502	109E5748C501	—	—	∅172 × 150 × 51 mm	No	✓	✓	✓	210
109E5748F501	109E5748F502	109E5748F501	—	—	∅172 × 150 × 51 mm	No	✓	✓	✓	210
109E5748H501	109E5748H502	109E5748H501	109E5748H5D01	—	∅172 × 150 × 51 mm	No	✓	✓	✓	210
109E5748K501	109E5748K502	109E5748K501	—	—	∅172 × 150 × 51 mm	No	✓	✓	✓	210
109E5748M501	109E5748M502	109E5748M501	—	—	∅172 × 150 × 51 mm	No	✓	✓	✓	210
109L1712H501	109L1712H502	109L1712H501	109L1712H5D01	—	∅172 × 51 mm	No	✓	✓	✓	391
109L1712M501	109L1712M502	109L1712M501	109L1712M5D01	—	∅172 × 51 mm	No	✓	✓	✓	391
109L1724H501	109L1724H502	109L1724H501	109L1724H5D01	—	∅172 × 51 mm	No	✓	✓	✓	391
109L1724M501	109L1724M502	109L1724M501	109L1724M5D01	—	∅172 × 51 mm	No	✓	✓	✓	391
109L1748H501	109L1748H502	109L1748H501	109L1748H5D01	—	∅172 × 51 mm	No	✓	✓	✓	391
109L1748M501	109L1748M502	109L1748M501	109L1748M5D01	—	∅172 × 51 mm	No	✓	✓	✓	391
109L5712H501	109L5712H502	109L5712H501	109L5712H5D01	—	∅172 × 150 × 51 mm	No	✓	✓	✓	389
109L5712M501	109L5712M502	109L5712M501	109L5712M5D01	—	∅172 × 150 × 51 mm	No	✓	✓	✓	389
109L5724H501	109L5724H502	109L5724H501	109L5724H5D01	—	∅172 × 150 × 51 mm	No	✓	✓	✓	389
109L5724M501	109L5724M502	109L5724M501	109L5724M5D01	—	∅172 × 150 × 51 mm	No	✓	✓	✓	389
109L5748H501	109L5748H502	109L5748H501	109L5748H5D01	—	∅172 × 150 × 51 mm	No	✓	✓	✓	389
109L5748M501	109L5748M502	109L5748M501	109L5748M5D01	—	∅172 × 150 × 51 mm	No	✓	✓	✓	389
109P0405F3013	109P0405F3023	109P0405F3013	109P0405F3D013	—	40 × 40 × 28 mm	Yes	✓	✓	✓	47
109P0405F601	109P0405F602	109P0405F601	109P0405F6D01	—	40 × 40 × 20 mm	Yes	✓	✓	✓	30
109P0405H3013	109P0405H3023	109P0405H3013	109P0405H3D013	—	40 × 40 × 28 mm	Yes	✓	✓	✓	47
109P0405H601	109P0405H602	109P0405H601	109P0405H6D01	—	40 × 40 × 20 mm	Yes	✓	✓	✓	30
109P0405H701	109P0405H702	109P0405H701	109P0405H7D01	—	40 × 40 × 15 mm	Yes	✓	✓	✓	23
109P0405H901	109P0405H902	109P0405H901	109P0405H9D01	—	40 × 40 × 10 mm	Yes	✓	✓	✓	19
109P0405J601	109P0405J602	109P0405J601	—	—	40 × 40 × 20 mm	Yes	✓	✓	✓	30
109P0405M601	109P0405M602	109P0405M601	109P0405M6D01	—	40 × 40 × 20 mm	Yes	✓	✓	✓	30
109P0405M701	109P0405M702	109P0405M701	109P0405M7D01	—	40 × 40 × 15 mm	Yes	✓	✓	✓	23
109P0405M901	109P0405M902	109P0405M901	109P0405M9D01	—	40 × 40 × 10 mm	Yes	✓	✓	✓	19
109P0412B3013	109P0412B3023	109P0412B3013	109P0412B3D013	109P0412P3B013	40 × 40 × 28 mm	Yes	✓	✓	✓	47
109P0412D601	109P0412D602	109P0412D601	109P0412D6D01	—	40 × 40 × 20 mm	Yes	✓	✓	✓	30
109P0412E601	109P0412E602	109P0412E601	109P0412E6D01	—	40 × 40 × 20 mm	Yes	✓	✓	✓	30
109P0412F3013	109P0412F3023	109P0412F3013	109P0412F3D013	—	40 × 40 × 28 mm	Yes	✓	✓	✓	47
109P0412F601	109P0412F602	109P0412F601	109P0412F6D01	—	40 × 40 × 20 mm	Yes	✓	✓	✓	30
109P0412G3013	109P0412G3023	109P0412G3013	109P0412G3D013	—	40 × 40 × 28 mm	Yes	✓	✓	✓	47
109P0412G601	109P0412G602	109P0412G601	109P0412G6D01	—	40 × 40 × 20 mm	Yes	✓	✓	✓	30
109P0412H3013	109P0412H3023	109P0412H3013	109P0412H3D013	109P0412P3H013	40 × 40 × 28 mm	Yes	✓	✓	✓	47
109P0412H601	109P0412H602	109P0412H601	109P0412H6D01	—	40 × 40 × 20 mm	Yes	✓	✓	✓	30
109P0412H701	109P0412H702	109P0412H701	109P0412H7D01	—	40 × 40 × 15 mm	Yes	✓	✓	✓	23
109P0412H901	109P0412H902	109P0412H901	109P0412H9D01	109P0412P9H01	40 × 40 × 10 mm	Yes	✓	✓	✓	19
109P0412J3013	109P0412J3023	109P0412J3013	109P0412J3D013	9PH0412P3J013	40 × 40 × 28 mm	Yes	✓	✓	✓	47
109P0412K3013	109P0412K3023	109P0412K3013	109P0412K3D013	9PH0412P3K033	40 × 40 × 28 mm	Yes	✓	✓	✓	47
109P0412M3013	109P0412M3023	109P0412M3013	109P0412M3D013	—	40 × 40 × 28 mm	Yes	✓	✓	✓	47
109P0412M601	109P0412M602	109P0412M601	109P0412M6D01	—	40 × 40 × 20 mm	Yes	✓	✓	✓	30

Please contact your point of sale regarding low-speed sensors.

Models listed in the main section of this catalog	List of models (models not listed in the main section of this catalog are options. Standards for optional model numbers may differ from the certified standards listed at right. Contact us for details of models with "-" model numbers.)				Frame size	Rib	Standard (certification status is for the models listed in this catalog, and standards for optional model numbers may differ.)			page
	Without sensor	With pulse sensor	With lock sensor	With PWM control function and pulse sensor			UL (cUL)	CSA (cUL)	TÜV	
							✓	✓	✓	
109P0412M701	109P0412M702	109P0412M701	109P0412M7D01	—	40 × 40 × 15 mm	Yes	✓	✓	✓	23
109P0412M901	109P0412M902	109P0412M901	109P0412M9D01	—	40 × 40 × 10 mm	Yes	✓	✓	✓	19
109P0412R701	109P0412R702	109P0412R701	109P0412R7D01	—	40 × 40 × 15 mm	Yes	✓	✓	✓	23
109P0412S701	109P0412S702	109P0412S701	109P0412S7D01	—	40 × 40 × 15 mm	Yes	✓	✓	✓	23
109P0424B3013	109P0424B3023	109P0424B3013	109P0424B3D013	—	40 × 40 × 28 mm	Yes	✓	✓	✓	47
109P0424B601	109P0424B602	109P0424B601	109P0424B6D01	—	40 × 40 × 20 mm	Yes	✓	✓	✓	30
109P0424D601	109P0424D602	109P0424D601	109P0424D6D01	—	40 × 40 × 20 mm	Yes	✓	✓	✓	30
109P0424F3013	109P0424F3023	109P0424F3013	109P0424F3D013	—	40 × 40 × 28 mm	Yes	✓	✓	✓	47
109P0424F601	109P0424F602	109P0424F601	109P0424F6D01	—	40 × 40 × 20 mm	Yes	✓	✓	✓	30
109P0424G3013	109P0424G3023	109P0424G3013	109P0424G3D013	—	40 × 40 × 28 mm	Yes	✓	✓	✓	47
109P0424G601	109P0424G602	109P0424G601	109P0424G6D01	—	40 × 40 × 20 mm	Yes	✓	✓	✓	30
109P0424H3013	109P0424H3023	109P0424H3013	109P0424H3D013	—	40 × 40 × 28 mm	Yes	✓	✓	✓	47
109P0424H601	109P0424H602	109P0424H601	109P0424H6D01	—	40 × 40 × 20 mm	Yes	✓	✓	✓	30
109P0424H701	109P0424H702	109P0424H701	109P0424H7D01	—	40 × 40 × 15 mm	Yes	✓	✓	✓	23
109P0424J3013	109P0424J3023	109P0424J3013	109P0424J3D013	—	40 × 40 × 28 mm	Yes	✓	✓	✓	47
109P0424R3013	109P0424R3023	109P0424R3013	—	—	40 × 40 × 28 mm	Yes	—	—	—	47
109P0505M701	109P0505M702	109P0505M701	109P0505M7D01	—	52 × 52 × 15 mm	Yes	✓	✓	✓	54
109P0512A701	109P0512A702	109P0512A701	109P0512A7D01	—	52 × 52 × 15 mm	Yes	✓	✓	✓	54
109P0512H701	109P0512H702	109P0512H701	109P0512H7D01	—	52 × 52 × 15 mm	Yes	✓	✓	✓	54
109P0512M701	109P0512M702	109P0512M701	109P0512M7D01	—	52 × 52 × 15 mm	Yes	✓	✓	✓	54
109P0524A701	109P0524A702	109P0524A701	109P0524A7D01	—	52 × 52 × 15 mm	Yes	✓	✓	✓	54
109P0524H701	109P0524H702	109P0524H701	109P0524H7D01	—	52 × 52 × 15 mm	Yes	✓	✓	✓	54
109P0524M701	109P0524M702	109P0524M701	109P0524M7D01	—	52 × 52 × 15 mm	Yes	✓	✓	✓	54
109P0605H701	109P0605H702	109P0605H701	109P0605H7D01	—	60 × 60 × 15 mm	Yes	✓	✓	✓	62
109P0605M701	109P0605M702	109P0605M701	109P0605M7D01	—	60 × 60 × 15 mm	Yes	✓	✓	✓	62
109P0612B701	109P0612B702	109P0612B701	109P0612B7D01	—	60 × 60 × 15 mm	Yes	✓	✓	✓	62
109P0612H601	109P0612H602	109P0612H601	109P0612H6D01	—	60 × 60 × 20 mm	Yes	✓	✓	✓	68
109P0612H701	109P0612H702	109P0612H701	109P0612H7D01	—	60 × 60 × 15 mm	Yes	✓	✓	✓	62
109P0612K701	109P0612K702	109P0612K701	109P0612K7D01	—	60 × 60 × 15 mm	Yes	✓	✓	✓	62
109P0612M601	109P0612M602	109P0612M601	109P0612M6D01	—	60 × 60 × 20 mm	Yes	✓	✓	✓	68
109P0612M701	109P0612M702	109P0612M701	109P0612M7D01	—	60 × 60 × 15 mm	Yes	✓	✓	✓	62
109P0612S701	109P0612S702	109P0612S701	109P0612S7D01	—	60 × 60 × 15 mm	Yes	✓	✓	✓	62
109P0612W601	109P0612W602	109P0612W601	109P0612W6D01	—	60 × 60 × 20 mm	Yes	✓	✓	✓	68
109P0624H601	109P0624H602	109P0624H601	109P0624H6D01	—	60 × 60 × 20 mm	Yes	✓	✓	✓	68
109P0624H701	109P0624H702	109P0624H701	109P0624H7D01	—	60 × 60 × 15 mm	Yes	✓	✓	✓	62
109P0624J701	109P0624J702	109P0624J701	109P0624J7D01	—	60 × 60 × 15 mm	Yes	✓	✓	✓	62
109P0624M601	109P0624M602	109P0624M601	109P0624M6D01	—	60 × 60 × 20 mm	Yes	✓	✓	✓	68
109P0624M701	109P0624M702	109P0624M701	109P0624M7D01	—	60 × 60 × 15 mm	Yes	✓	✓	✓	62
109P0624S701	109P0624S702	109P0624S701	109P0624S7D01	—	60 × 60 × 15 mm	Yes	✓	✓	✓	62
109P0624W601	109P0624W602	109P0624W601	109P0624W6D01	—	60 × 60 × 20 mm	Yes	✓	✓	✓	68
109P0648H601	109P0648H602	109P0648H601	109P0648H6D01	—	60 × 60 × 20 mm	Yes	✓	✓	✓	68
109P0812C601	109P0812C602	109P0812C601	109P0812C6D01	—	80 × 80 × 20 mm	Yes	—	—	—	105
109P0812H601	109P0812H602	109P0812H601	109P0812H6D01	—	80 × 80 × 20 mm	Yes	✓	✓	✓	105
109P0812H701	109P0812H702	109P0812H701	109P0812H7D01	—	80 × 80 × 15 mm	Yes	✓	✓	✓	100
109P0812M601	109P0812M602	109P0812M601	109P0812M6D01	—	80 × 80 × 20 mm	Yes	✓	✓	✓	105
109P0812M701	109P0812M702	109P0812M701	109P0812M7D01	—	80 × 80 × 15 mm	Yes	✓	✓	✓	100
109P0824H601	109P0824H602	109P0824H601	109P0824H6D01	—	80 × 80 × 20 mm	Yes	✓	✓	✓	105
109P0824H701	109P0824H702	109P0824H701	109P0824H7D01	—	80 × 80 × 15 mm	Yes	✓	✓	✓	100
109P0824M601	109P0824M602	109P0824M601	109P0824M6D01	—	80 × 80 × 20 mm	Yes	✓	✓	✓	105
109P0824M701	109P0824M702	109P0824M701	109P0824M7D01	—	80 × 80 × 15 mm	Yes	✓	✓	✓	100
109P0848C601	109P0848C602	109P0848C601	109P0848C6D01	—	80 × 80 × 20 mm	Yes	✓	✓	✓	105
109P0848H601	—	109P0848H601	109P0848H6D01	—	80 × 80 × 20 mm	Yes	✓	✓	✓	105
109P1312H101	109P1312H102	109P1312H101	109P1312H1D01	—	127 × 127 × 38 mm	Yes	✓	✓	✓	187
109P1312H1011	109P1312H1021	109P1312H1011	109P1312H1D011	—	127 × 127 × 38 mm	No	✓	✓	✓	187
109P1312S101	109P1312S102	109P1312S101	109P1312S1D01	—	127 × 127 × 38 mm	Yes	✓	✓	✓	187
109P1312S1011	109P1312S1021	109P1312S1011	109P1312S1D011	—	127 × 127 × 38 mm	No	✓	✓	✓	187
109P1324H101	109P1324H102	109P1324H101	109P1324H1D01	—	127 × 127 × 38 mm	Yes	✓	✓	✓	187
109P1324H1011	109P1324H1021	109P1324H1011	109P1324H1D011	—	127 × 127 × 38 mm	No	✓	✓	✓	187
109P1324S101	109P1324S102	109P1324S101	109P1324S1D01	—	127 × 127 × 38 mm	Yes	✓	✓	✓	187
109P1324S1011	109P1324S1021	109P1324S1011	109P1324S1D011	—	127 × 127 × 38 mm	No	✓	✓	✓	187
109P1348H101	109P1348H102	109P1348H101	109P1348H1D01	—	127 × 127 × 38 mm	Yes	✓	✓	✓	187

Please contact your point of sale regarding low-speed sensors.

Models listed in the main section of this catalog	List of models (models not listed in the main section of this catalog are options. Standards for optional model numbers may differ from the certified standards listed at right. Contact us for details of models with "-" model numbers.)				Frame size	Rib	Standard (certification status is for the models listed in this catalog, and standards for optional model numbers may differ.)			page
	Without sensor	With pulse sensor	With lock sensor	With PWM control function and pulse sensor			UL (cUL)	CSA (cUL)	TÜV	
							✓	✓	✓	
109P1348H1011	109P1348H1021	109P1348H1011	109P1348H1D011	—	127 × 127 × 38 mm	No	✓	✓	✓	187
109P1348S101	109P1348S102	109P1348S101	109P1348S1D01	—	127 × 127 × 38 mm	Yes	✓	✓	✓	187
109P1348S1011	109P1348S1021	109P1348S1011	109P1348S1D011	—	127 × 127 × 38 mm	No	✓	✓	✓	187
109P1412H101	109P1412H102	109P1412H101	109P1412H1D01	—	140 × 140 × 38 mm	Yes	✓	✓	✓	196
109P1412M101	109P1412M102	109P1412M101	—	—	140 × 140 × 38 mm	Yes	✓	✓	✓	196
109P1424H101	109P1424H102	109P1424H101	109P1424H1D01	—	140 × 140 × 38 mm	Yes	✓	✓	✓	196
109P1424M101	109P1424M102	109P1424M101	—	—	140 × 140 × 38 mm	Yes	✓	✓	✓	196
109P1448H101	109P1448H102	109P1448H101	—	—	140 × 140 × 38 mm	Yes	✓	✓	✓	196
109P1448M101	109P1448M102	109P1448M101	—	—	140 × 140 × 38 mm	Yes	✓	✓	✓	196
109R0605F401	109R0605F402	109R0605F401	109R0605F4D01	—	60 × 60 × 25 mm	Yes	✓	✓	✓	76
109R0605F4011	109R0605F4021	109R0605F4011	—	—	60 × 60 × 25 mm	No	✓	✓	✓	76
109R0605H401	109R0605H402	109R0605H401	109R0605H4D01	—	60 × 60 × 25 mm	Yes	✓	✓	✓	76
109R0605H4011	109R0605H4021	109R0605H4011	—	—	60 × 60 × 25 mm	No	✓	✓	✓	76
109R0605M401	109R0605M402	109R0605M401	109R0605M4D01	—	60 × 60 × 25 mm	Yes	✓	✓	✓	76
109R0605M4011	109R0605M4021	109R0605M4011	—	—	60 × 60 × 25 mm	No	✓	✓	✓	76
109R0612D401	109R0612D402	109R0612D401	109R0612D4D01	—	60 × 60 × 25 mm	Yes	✓	✓	✓	76
109R0612D4011	109R0612D4021	109R0612D4011	109R0612D4D011	—	60 × 60 × 25 mm	No	✓	✓	✓	76
109R0612F401	109R0612F402	109R0612F401	109R0612F4D01	—	60 × 60 × 25 mm	Yes	✓	✓	✓	76
109R0612F4011	109R0612F4021	109R0612F4011	109R0612F4D011	—	60 × 60 × 25 mm	No	✓	✓	✓	76
109R0612G401	109R0612G402	109R0612G401	109R0612G4D01	—	60 × 60 × 25 mm	Yes	✓	✓	✓	76
109R0612G4011	109R0612G4021	109R0612G4011	109R0612G4D011	—	60 × 60 × 25 mm	No	✓	✓	✓	76
109R0612H401	109R0612H402	109R0612H401	109R0612H4D01	—	60 × 60 × 25 mm	Yes	✓	✓	✓	76
109R0612H4011	109R0612H4021	109R0612H4011	109R0612H4D011	—	60 × 60 × 25 mm	No	✓	✓	✓	76
109R0612J401	109R0612J402	109R0612J401	109R0612J4D01	109R0612P4J03	60 × 60 × 25 mm	Yes	✓	✓	✓	76
109R0612J4011	109R0612J4021	109R0612J4011	109R0612J4D011	109R0612P4J061	60 × 60 × 25 mm	No	✓	✓	✓	76
109R0612M401	109R0612M402	109R0612M401	109R0612M4D01	—	60 × 60 × 25 mm	Yes	✓	✓	✓	76
109R0612M4011	109R0612M4021	109R0612M4011	109R0612M4D011	—	60 × 60 × 25 mm	No	✓	✓	✓	76
109R0612S401	109R0612S402	109R0612S401	109R0612S4D01	—	60 × 60 × 25 mm	Yes	✓	✓	✓	76
109R0612S4011	109R0612S4021	109R0612S4011	109R0612S4D011	—	60 × 60 × 25 mm	No	✓	✓	✓	76
109R0624D401	109R0624D402	109R0624D401	109R0624D4D01	—	60 × 60 × 25 mm	Yes	✓	✓	✓	76
109R0624D4011	109R0624D4021	109R0624D4011	—	—	60 × 60 × 25 mm	No	✓	✓	✓	76
109R0624F401	109R0624F402	109R0624F401	109R0624F4D01	—	60 × 60 × 25 mm	Yes	✓	✓	✓	76
109R0624F4011	109R0624F4021	109R0624F4011	109R0624F4D011	—	60 × 60 × 25 mm	No	✓	✓	✓	76
109R0624G401	109R0624G402	109R0624G401	109R0624G4D01	—	60 × 60 × 25 mm	Yes	✓	✓	✓	76
109R0624G4011	109R0624G4021	109R0624G4011	109R0624G4D011	—	60 × 60 × 25 mm	No	✓	✓	✓	76
109R0624H401	109R0624H402	109R0624H401	109R0624H4D01	—	60 × 60 × 25 mm	Yes	✓	✓	✓	76
109R0624H4011	109R0624H4021	109R0624H4011	109R0624H4D011	—	60 × 60 × 25 mm	No	✓	✓	✓	76
109R0624J401	109R0624J402	109R0624J401	109R0624J4D01	9RH0624P4J01	60 × 60 × 25 mm	Yes	✓	✓	✓	76
109R0624J4011	109R0624J4021	109R0624J4011	109R0624J4D011	—	60 × 60 × 25 mm	No	✓	✓	✓	76
109R0624M401	109R0624M402	109R0624M401	109R0624M4D01	—	60 × 60 × 25 mm	Yes	✓	✓	✓	76
109R0624M4011	109R0624M4021	109R0624M4011	109R0624M4D011	—	60 × 60 × 25 mm	No	✓	✓	✓	76
109R0624S401	109R0624S402	109R0624S401	109R0624S4D01	—	60 × 60 × 25 mm	Yes	✓	✓	✓	76
109R0624S4011	109R0624S4021	109R0624S4011	109R0624S4D011	—	60 × 60 × 25 mm	No	✓	✓	✓	76
109R0648G401	109R0648G402	109R0648G401	109R0648G4D01	—	60 × 60 × 25 mm	Yes	✓	✓	✓	76
109R0648G4011	109R0648G4021	109R0648G4011	109R0648G4D011	—	60 × 60 × 25 mm	No	✓	✓	✓	76
109R0648H401	109R0648H402	109R0648H401	109R0648H4D01	—	60 × 60 × 25 mm	Yes	✓	✓	✓	76
109R0648H4011	109R0648H4021	109R0648H4011	109R0648H4D011	—	60 × 60 × 25 mm	No	✓	✓	✓	76
109R0648J401	109R0648J402	109R0648J401	109R0648J4D01	—	60 × 60 × 25 mm	Yes	✓	✓	✓	76
109R0648J4011	109R0648J4021	109R0648J4011	—	—	60 × 60 × 25 mm	No	✓	✓	✓	76
109R0805F401	109R0805F402	109R0805F401	109R0805F4D01	—	80 × 80 × 25 mm	Yes	✓	✓	✓	117
109R0805F4011	109R0805F4021	109R0805F4011	—	—	80 × 80 × 25 mm	No	✓	✓	✓	117
109R0805M401	109R0805M402	109R0805M401	109R0805M4D01	—	80 × 80 × 25 mm	Yes	✓	✓	✓	117
109R0805M4011	109R0805M4021	109R0805M4011	—	—	80 × 80 × 25 mm	No	✓	✓	✓	117
109R0812E401	109R0812E402	109R0812E401	—	—	80 × 80 × 25 mm	Yes	—	—	—	117
109R0812E4011	—	109R0812E4011	—	—	80 × 80 × 25 mm	No	—	—	—	117
109R0812F401	109R0812F402	109R0812F401	109R0812F4D01	—	80 × 80 × 25 mm	Yes	✓	✓	✓	117
109R0812F4011	109R0812F4021	109R0812F4011	109R0812F4D011	—	80 × 80 × 25 mm	No	✓	✓	✓	117
109R0812G401	109R0812G402	109R0812G401	109R0812G4D01	—	80 × 80 × 25 mm	Yes	✓	✓	✓	117
109R0812G4011	109R0812G4021	109R0812G4011	109R0812G4D011	—	80 × 80 × 25 mm	No	✓	✓	✓	117
109R0812H401	109R0812H402	109R0812H401	109R0812H4D01	—	80 × 80 × 25 mm	Yes	✓	✓	✓	117
109R0812H4011	109R0812H4021	109R0812H4011	109R0812H4D011	—	80 × 80 × 25 mm	No	✓	✓	✓	117

Please contact your point of sale regarding low-speed sensors.

Models listed in the main section of this catalog	List of models (models not listed in the main section of this catalog are options. Standards for optional model numbers may differ from the certified standards listed at right. Contact us for details of models with "-" model numbers.)				Frame size	Rib	Standard (certification status is for the models listed in this catalog, and standards for optional model numbers may differ.)			page
	Without sensor	With pulse sensor	With lock sensor	With PWM control function and pulse sensor			UL (cUL)	CSA (cUL)	TÜV	
							✓	✓	✓	
109R0812L401	109R0812L402	109R0812L401	109R0812L4D01	—	80 × 80 × 25 mm	Yes	✓	✓	✓	117
109R0812L4011	109R0812L4021	109R0812L4011	109R0812L4D011	—	80 × 80 × 25 mm	No	✓	✓	✓	117
109R0812M401	109R0812M402	109R0812M401	109R0812M4D01	—	80 × 80 × 25 mm	Yes	✓	✓	✓	117
109R0812M4011	109R0812M4021	109R0812M4011	109R0812M4D011	—	80 × 80 × 25 mm	No	✓	✓	✓	117
109R0812S401	109R0812S402	109R0812S401	109R0812S4D01	—	80 × 80 × 25 mm	Yes	✓	✓	✓	117
109R0812S4011	109R0812S4021	109R0812S4011	109R0812S4D011	—	80 × 80 × 25 mm	No	✓	✓	✓	117
109R0824F401	109R0824F402	109R0824F401	109R0824F4D01	—	80 × 80 × 25 mm	Yes	✓	✓	✓	117
109R0824F4011	109R0824F4021	109R0824F4011	109R0824F4D011	—	80 × 80 × 25 mm	No	✓	✓	✓	117
109R0824G401	109R0824G402	109R0824G401	109R0824G4D01	—	80 × 80 × 25 mm	Yes	✓	✓	✓	117
109R0824G4011	109R0824G4021	109R0824G4011	109R0824G4D011	—	80 × 80 × 25 mm	No	✓	✓	✓	117
109R0824H401	109R0824H402	109R0824H401	109R0824H4D01	—	80 × 80 × 25 mm	Yes	✓	✓	✓	117
109R0824H4011	109R0824H4021	109R0824H4011	109R0824H4D011	—	80 × 80 × 25 mm	No	✓	✓	✓	117
109R0824L401	109R0824L402	109R0824L401	109R0824L4D01	—	80 × 80 × 25 mm	Yes	✓	✓	✓	117
109R0824L4011	109R0824L4021	109R0824L4011	109R0824L4D011	—	80 × 80 × 25 mm	No	✓	✓	✓	117
109R0824M401	109R0824M402	109R0824M401	109R0824M4D01	—	80 × 80 × 25 mm	Yes	✓	✓	✓	117
109R0824M4011	109R0824M4021	109R0824M4011	109R0824M4D011	—	80 × 80 × 25 mm	No	✓	✓	✓	117
109R0824S401	109R0824S402	109R0824S401	109R0824S4D01	—	80 × 80 × 25 mm	Yes	✓	✓	✓	117
109R0824S4011	109R0824S4021	109R0824S4011	109R0824S4D011	—	80 × 80 × 25 mm	No	✓	✓	✓	117
109R0848K401	109R0848K402	109R0848K401	109R0848K4D01	—	80 × 80 × 25 mm	Yes	✓	✓	✓	117
109R0848K4011	109R0848K4021	109R0848K4011	109R0848K4D011	—	80 × 80 × 25 mm	No	✓	✓	✓	117
109R0848S401	109R0848S402	109R0848S401	109R0848S4D01	—	80 × 80 × 25 mm	Yes	✓	✓	✓	117
109R0848S4011	109R0848S4021	109R0848S4011	109R0848S4D011	—	80 × 80 × 25 mm	No	✓	✓	✓	117
9A0612F401	9A0612F402	9A0612F401	9A0612F4D01	—	60 × 60 × 25 mm	Yes	✓	✓	✓	80
9A0612F4011	9A0612F4021	9A0612F4011	9A0612F4D011	—	60 × 60 × 25 mm	No	✓	✓	✓	80
9A0612G401	9A0612G402	9A0612G401	9A0612G4D01	9AH0612P4G03	60 × 60 × 25 mm	Yes	✓	✓	✓	80
9A0612G4011	9A0612G4021	9A0612G4011	9A0612G4D011	—	60 × 60 × 25 mm	No	✓	✓	✓	80
9A0612H401	9A0612H402	9A0612H401	9A0612H4D01	9AH0612P4H05	60 × 60 × 25 mm	Yes	✓	✓	✓	80
9A0612H4011	9A0612H4021	9A0612H4011	9A0612H4D011	—	60 × 60 × 25 mm	No	✓	✓	✓	80
9A0612M401	9A0612M402	9A0612M401	9A0612M4D01	—	60 × 60 × 25 mm	Yes	✓	✓	✓	80
9A0612M4011	9A0612M4021	9A0612M4011	9A0612M4D011	—	60 × 60 × 25 mm	No	✓	✓	✓	80
9A0612S401	9A0612S402	9A0612S401	9A0612S4D01	—	60 × 60 × 25 mm	Yes	✓	✓	✓	80
9A0612S4011	9A0612S4021	9A0612S4011	9A0612S4D011	—	60 × 60 × 25 mm	No	✓	✓	✓	80
9A0624F401	9A0624F402	9A0624F401	9A0624F4D01	—	60 × 60 × 25 mm	Yes	✓	✓	✓	80
9A0624F4011	9A0624F4021	9A0624F4011	9A0624F4D011	—	60 × 60 × 25 mm	No	✓	✓	✓	80
9A0624G401	9A0624G402	9A0624G401	9A0624G4D01	—	60 × 60 × 25 mm	Yes	✓	✓	✓	80
9A0624G4011	9A0624G4021	9A0624G4011	—	—	60 × 60 × 25 mm	No	✓	✓	✓	80
9A0624H401	9A0624H402	9A0624H401	9A0624H4D01	—	60 × 60 × 25 mm	Yes	✓	✓	✓	80
9A0624H4011	9A0624H4021	9A0624H4011	9A0624H4D011	—	60 × 60 × 25 mm	No	✓	✓	✓	80
9A0624M401	9A0624M402	9A0624M401	9A0624M4D01	—	60 × 60 × 25 mm	Yes	✓	✓	✓	80
9A0624M4011	9A0624M4021	9A0624M4011	9A0624M4D011	—	60 × 60 × 25 mm	No	✓	✓	✓	80
9A0624S401	9A0624S402	9A0624S401	9A0624S4D01	—	60 × 60 × 25 mm	Yes	✓	✓	✓	80
9A0624S4011	9A0624S4021	9A0624S4011	9A0624S4D011	—	60 × 60 × 25 mm	No	✓	✓	✓	80
9A0812F401	9A0812F402	9A0812F401	9A0812F4D01	—	80 × 80 × 25 mm	Yes	✓	✓	✓	120
9A0812F4011	9A0812F4021	9A0812F4011	9A0812F4D011	—	80 × 80 × 25 mm	No	✓	✓	✓	120
9A0812G401	9A0812G402	9A0812G401	9A0812G4D01	9AH0812P4G04	80 × 80 × 25 mm	Yes	✓	✓	✓	120
9A0812G4011	9A0812G4021	9A0812G4011	9A0812G4D011	9AH0812P4G011	80 × 80 × 25 mm	No	✓	✓	✓	120
9A0812H401	9A0812H402	9A0812H401	9A0812H4D01	9AH0812P4H04	80 × 80 × 25 mm	Yes	✓	✓	✓	120
9A0812H4011	9A0812H4021	9A0812H4011	9A0812H4D011	—	80 × 80 × 25 mm	No	✓	✓	✓	120
9A0812L401	9A0812L402	9A0812L401	9A0812L4D01	—	80 × 80 × 25 mm	Yes	✓	✓	✓	120
9A0812L4011	9A0812L4021	9A0812L4011	9A0812L4D011	—	80 × 80 × 25 mm	No	✓	✓	✓	120
9A0812M401	9A0812M402	9A0812M401	9A0812M4D01	—	80 × 80 × 25 mm	Yes	✓	✓	✓	120
9A0812M4011	9A0812M4021	9A0812M4011	9A0812M4D011	—	80 × 80 × 25 mm	No	✓	✓	✓	120
9A0812S401	9A0812S402	9A0812S401	9A0812S4D01	—	80 × 80 × 25 mm	Yes	✓	✓	✓	120
9A0812S4011	9A0812S4021	9A0812S4011	9A0812S4D011	—	80 × 80 × 25 mm	No	✓	✓	✓	120
9A0824F401	9A0824F402	9A0824F401	9A0824F4D01	—	80 × 80 × 25 mm	Yes	✓	✓	✓	120
9A0824F4011	9A0824F4021	9A0824F4011	9A0824F4D011	—	80 × 80 × 25 mm	No	✓	✓	✓	120
9A0824G401	9A0824G402	9A0824G401	9A0824G4D01	—	80 × 80 × 25 mm	Yes	✓	✓	✓	120
9A0824G4011	9A0824G4021	9A0824G4011	9A0824G4D011	—	80 × 80 × 25 mm	No	✓	✓	✓	120
9A0824H401	9A0824H402	9A0824H401	9A0824H4D01	—	80 × 80 × 25 mm	Yes	✓	✓	✓	120
9A0824H4011	9A0824H4021	9A0824H4011	9A0824H4D011	—	80 × 80 × 25 mm	No	✓	✓	✓	120
9A0824L401	9A0824L402	9A0824L401	9A0824L4D01	—	80 × 80 × 25 mm	Yes	✓	✓	✓	120

Please contact your point of sale regarding low-speed sensors.

Models listed in the main section of this catalog	List of models (models not listed in the main section of this catalog are options. Standards for optional model numbers may differ from the certified standards listed at right. Contact us for details of models with "-" model numbers.)				Frame size	Rib	Standard (certification status is for the models listed in this catalog, and standards for optional model numbers may differ.)			page
	Without sensor	With pulse sensor	With lock sensor	With PWM control function and pulse sensor			UL (cUL)	CSA (cUL)	TÜV	
							✓	✓	✓	
9A0824L4011	9A0824L4021	9A0824L4011	9A0824L4D011	—	80 × 80 × 25 mm	No	✓	✓	✓	120
9A0824M401	9A0824M402	9A0824M401	9A0824M4D01	—	80 × 80 × 25 mm	Yes	✓	✓	✓	120
9A0824M4011	9A0824M4021	9A0824M4011	9A0824M4D011	—	80 × 80 × 25 mm	No	✓	✓	✓	120
9A0824S401	9A0824S402	9A0824S401	9A0824S4D01	—	80 × 80 × 25 mm	Yes	✓	✓	✓	120
9A0824S4011	9A0824S4021	9A0824S4011	9A0824S4D011	—	80 × 80 × 25 mm	No	✓	✓	✓	120
9A0912F401	9A0912F402	9A0912F401	9A0912F4D01	—	92 × 92 × 25 mm	Yes	✓	✓	✓	146
9A0912F4011	9A0912F4021	9A0912F4011	9A0912F4D011	—	92 × 92 × 25 mm	No	✓	✓	✓	146
9A0912G401	9A0912G402	9A0912G401	9A0912G4D01	9AH0912P4G03	92 × 92 × 25 mm	Yes	✓	✓	✓	146
9A0912G4011	9A0912G4021	9A0912G4011	9A0912G4D011	—	92 × 92 × 25 mm	No	✓	✓	✓	146
9A0912H401	9A0912H402	9A0912H401	9A0912H4D01	9AH0912P4H03	92 × 92 × 25 mm	Yes	✓	✓	✓	146
9A0912H4011	9A0912H4021	9A0912H4011	9A0912H4D011	—	92 × 92 × 25 mm	No	✓	✓	✓	146
9A0912L401	9A0912L402	9A0912L401	9A0912L4D01	—	92 × 92 × 25 mm	Yes	✓	✓	✓	146
9A0912L4011	9A0912L4021	9A0912L4011	9A0912L4D011	—	92 × 92 × 25 mm	No	✓	✓	✓	146
9A0912M401	9A0912M402	9A0912M401	9A0912M4D01	—	92 × 92 × 25 mm	Yes	✓	✓	✓	146
9A0912M4011	9A0912M4021	9A0912M4011	9A0912M4D011	—	92 × 92 × 25 mm	No	✓	✓	✓	146
9A0912S401	9A0912S402	9A0912S401	9A0912S4D01	—	92 × 92 × 25 mm	Yes	✓	✓	✓	146
9A0912S4011	9A0912S4021	9A0912S4011	9A0912S4D011	—	92 × 92 × 25 mm	No	✓	✓	✓	146
9A0924F401	9A0924F402	9A0924F401	9A0924F4D01	—	92 × 92 × 25 mm	Yes	✓	✓	✓	146
9A0924F4011	9A0924F4021	9A0924F4011	9A0924F4D011	—	92 × 92 × 25 mm	No	✓	✓	✓	146
9A0924G401	9A0924G402	9A0924G401	9A0924G4D01	—	92 × 92 × 25 mm	Yes	✓	✓	✓	146
9A0924G4011	9A0924G4021	9A0924G4011	—	—	92 × 92 × 25 mm	No	✓	✓	✓	146
9A0924H401	9A0924H402	9A0924H401	9A0924H4D01	—	92 × 92 × 25 mm	Yes	✓	✓	✓	146
9A0924H4011	9A0924H4021	9A0924H4011	9A0924H4D011	—	92 × 92 × 25 mm	No	✓	✓	✓	146
9A0924L401	9A0924L402	9A0924L401	9A0924L4D01	—	92 × 92 × 25 mm	Yes	✓	✓	✓	146
9A0924L4011	9A0924L4021	9A0924L4011	9A0924L4D011	—	92 × 92 × 25 mm	No	✓	✓	✓	146
9A0924M401	9A0924M402	9A0924M401	9A0924M4D01	—	92 × 92 × 25 mm	Yes	✓	✓	✓	146
9A0924M4011	9A0924M4021	9A0924M4011	9A0924M4D011	—	92 × 92 × 25 mm	No	✓	✓	✓	146
9A0924S401	9A0924S402	9A0924S401	9A0924S4D01	—	92 × 92 × 25 mm	Yes	✓	✓	✓	146
9A0924S4011	9A0924S4021	9A0924S4011	9A0924S4D011	—	92 × 92 × 25 mm	No	✓	✓	✓	146
9A0948S401	9A0948S402	9A0948S401	9A0948S4D01	—	92 × 92 × 25 mm	Yes	✓	✓	✓	146
9A0948S4011	9A0948S4021	9A0948S4011	—	—	92 × 92 × 25 mm	No	✓	✓	✓	146
9B1TP24P0H001	—	—	—	9B1TP24P0H001	∅270 × 99 mm	—	✓	✓	✓	430
9B1TP48P0G001	—	—	—	9B1TP48P0G001	∅270 × 99 mm	—	✓	✓	✓	430
9B1TP48P0H001	—	—	—	9B1TP48P0H001	∅270 × 99 mm	—	✓	✓	✓	430
9B1TS48P0G001	—	—	—	9B1TS48P0G001	∅270 × 119 mm	—	✓	✓	✓	433
9B1TS48P0H001	—	—	—	9B1TS48P0H001	∅270 × 119 mm	—	✓	✓	✓	433
9BD12FC6-1	9BD12FA6-1	9BD12FC6-1	9BD12FD6-1	—	76 × 20 mm	—	✓	✓	✓	438
9BD12HC6-1	9BD12HA6-1	9BD12HC6-1	9BD12HD6-1	—	76 × 20 mm	—	✓	✓	✓	438
9BD12SC6-1	9BD12SA6-1	9BD12SC6-1	9BD12SD6-1	9BD12P6S01	76 × 20 mm	—	✓	✓	✓	438
9BD24FC6-1	9BD24FA6-1	9BD24FC6-1	9BD24FD6-1	—	76 × 20 mm	—	✓	✓	✓	438
9BD24HC6-1	9BD24HA6-1	9BD24HC6-1	9BD24HD6-1	—	76 × 20 mm	—	✓	✓	✓	438
9BD24SC6-1	9BD24SA6-1	9BD24SC6-1	9BD24SD6-1	9BD24P6S06	76 × 20 mm	—	✓	✓	✓	438
9BFB12P2H003	—	—	—	9BFB12P2H003	120 × 32 mm	—	✓	✓	✓	451
9BFB24P2H003	—	—	—	9BFB24P2H003	120 × 32 mm	—	✓	✓	✓	451
9BMB12F201	9BMB12F202	9BMB12F201	9BMB12F2D01	9BMB12P2F01	97 × 33 mm	—	✓	✓	✓	446
9BMB12G201	9BMB12G202	9BMB12G201	9BMB12G2D01	9BMB12P2G01	97 × 33 mm	—	✓	✓	✓	446
9BMB12H201	9BMB12H202	9BMB12H201	9BMB12H2D01	9BMB12P2H01	97 × 33 mm	—	✓	✓	✓	446
9BMB12K201	9BMB12K202	9BMB12K201	—	9BMB12P2K01	97 × 33 mm	—	✓	✓	✓	446
9BMB12P2F01	9BMB12F202	9BMB12F201	9BMB12F2D01	9BMB12P2F01	97 × 33 mm	—	✓	✓	✓	446
9BMB12P2G01	9BMB12G202	9BMB12G201	9BMB12G2D01	9BMB12P2G01	97 × 33 mm	—	✓	✓	✓	446
9BMB12P2H01	9BMB12H202	9BMB12H201	9BMB12H2D01	9BMB12P2H01	97 × 33 mm	—	✓	✓	✓	446
9BMB12P2K01	9BMB12K202	9BMB12K201	—	9BMB12P2K01	97 × 33 mm	—	✓	✓	✓	446
9BMB12P2S01	9BMB12S202	9BMB12S201	—	9BMB12P2S01	97 × 33 mm	—	✓	✓	✓	446
9BMB12S201	9BMB12S202	9BMB12S201	—	9BMB12P2S01	97 × 33 mm	—	✓	✓	✓	446
9BMB24F201	9BMB24F202	9BMB24F201	9BMB24F2D01	9BMB24P2F01	97 × 33 mm	—	✓	✓	✓	446
9BMB24G201	9BMB24G202	9BMB24G201	9BMB24G2D01	9BMB24P2G01	97 × 33 mm	—	✓	✓	✓	446
9BMB24H201	9BMB24H202	9BMB24H201	9BMB24H2D01	9BMB24P2H01	97 × 33 mm	—	✓	✓	✓	446
9BMB24K201	9BMB24K202	9BMB24K201	—	9BMB24P2K01	97 × 33 mm	—	✓	✓	✓	446
9BMB24P2F01	9BMB24F202	9BMB24F201	9BMB24F2D01	9BMB24P2F01	97 × 33 mm	—	✓	✓	✓	446
9BMB24P2G01	9BMB24G202	9BMB24G201	9BMB24G2D01	9BMB24P2G01	97 × 33 mm	—	✓	✓	✓	446
9BMB24P2H01	9BMB24H202	9BMB24H201	9BMB24H2D01	9BMB24P2H01	97 × 33 mm	—	✓	✓	✓	446

Please contact your point of sale regarding low-speed sensors.

Models listed in the main section of this catalog	List of models (models not listed in the main section of this catalog are options. Standards for optional model numbers may differ from the certified standards listed at right. Contact us for details of models with "-" model numbers.)				Frame size	Rib	Standard (certification status is for the models listed in this catalog, and standards for optional model numbers may differ.)			page
	Without sensor	With pulse sensor	With lock sensor	With PWM control function and pulse sensor			UL (cUL)	CSA (cUL)	TÜV	
							✓	✓	✓	
9BMB24P2K01	9BMB24K202	9BMB24K201	—	9BMB24P2K01	97 × 33 mm	—	✓	✓	✓	446
9BMB24P2S01	9BMB24S202	9BMB24S201	—	9BMB24P2S01	97 × 33 mm	—	✓	✓	✓	446
9BMB24S201	9BMB24S202	9BMB24S201	—	9BMB24P2S01	97 × 33 mm	—	✓	✓	✓	446
9BMC12P2G001	9BMC12G2002	—	—	9BMC12P2G001	97 × 33 mm	—	✓	✓	✓	444
9BMC24P2G001	—	—	—	9BMC24P2G001	97 × 33 mm	—	✓	✓	✓	444
9CR0612P5G03	9CR0612G502	9CR0612G501	—	9CR0612P5G03	60 × 60 × 51 mm	—	✓	✓	✓	236
9CR0612P5H03	—	9CR0612H501	—	9CR0612P5H03	60 × 60 × 51 mm	—	✓	✓	✓	236
9CR1212P0G03	9CR1212G002	9CR1212G001	—	9CR1212P0G03	120 × 120 × 76 mm	—	✓	✓	✓	254
9CR5748P9G001	—	—	—	9CR5748P9G001	∅172 × 150 × 102 mm	—	✓	✓	✓	256
9CRA0312P4J03	—	9CRA0312J401	—	9CRA0312P4J03	38 × 38 × 48 mm	—	✓	✓	✓	222
9CRA0312P4K03	9CRA0312K402	—	—	9CRA0312P4K03	38 × 38 × 48 mm	—	✓	✓	✓	222
9CRA0412P4G03	9CRA0412G402	—	—	9CRA0412P4G03	40 × 40 × 48 mm	—	✓	✓	✓	224
9CRA0412P4J03	9CRA0412J402	9CRA0412J401	—	9CRA0412P4J03	40 × 40 × 48 mm	—	✓	✓	✓	224
9CRA0412P4K03	9CRA0412K402	9CRA0412K401	—	9CRA0412P4K03	40 × 40 × 48 mm	—	✓	✓	✓	224
9CRA0612P0G001	—	—	—	9CRA0612P0G001	60 × 60 × 76 mm	—	✓	✓	✓	243
9CRA0612P0S001	—	—	—	9CRA0612P0S001	60 × 60 × 76 mm	—	✓	✓	✓	243
9CRA0612P6G001	—	—	—	9CRA0612P6G001	60 × 60 × 56 mm	—	✓	✓	✓	238
9CRA0612P6J001	—	—	—	9CRA0612P6J001	60 × 60 × 56 mm	—	✓	✓	✓	238
9CRA0612P6K001	—	—	—	9CRA0612P6K001	60 × 60 × 56 mm	—	✓	✓	✓	238
9CRA0812P8G001	—	9CRA0812G8001	—	9CRA0812P8G001	80 × 80 × 80 mm	—	✓	✓	✓	249
9CRA0824P8G001	—	—	—	9CRA0824P8G001	80 × 80 × 80 mm	—	✓	✓	✓	249
9CRA0848P8G001	—	—	—	9CRA0848P8G001	80 × 80 × 80 mm	—	✓	✓	✓	249
9CRA0912P0G001	—	—	—	9CRA0912P0G001	92 × 92 × 76 mm	—	✓	✓	✓	252
9CRA0948P0G601	—	—	—	9CRA0948P0G601	92 × 92 × 76 mm	—	✓	✓	✓	252
9CRB0812P8G001	—	—	—	9CRB0812P8G001	80 × 80 × 80 mm	—	✓	✓	✓	245
9CRD0412P5G03	—	—	—	9CRD0412P5G03	40 × 40 × 56 mm	—	✓	✓	✓	231
9CRD0412P5H03	—	—	—	9CRD0412P5H03	40 × 40 × 56 mm	—	✓	✓	✓	231
9CRD0412P5J03	—	—	—	9CRD0412P5J03	40 × 40 × 56 mm	—	✓	✓	✓	231
9CRD0412P5M03	—	—	—	9CRD0412P5M03	40 × 40 × 56 mm	—	✓	✓	✓	231
9CRE0412P5J03	9CRE0412J502	—	—	9CRE0412P5J03	40 × 40 × 56 mm	—	✓	✓	✓	234
9CRE0612P0G001	—	—	—	9CRE0612P0G001	60 × 60 × 76 mm	—	✓	✓	✓	241
9CRE0812P8G001	—	—	—	9CRE0812P8G001	80 × 80 × 80 mm	—	✓	✓	✓	247
9CRH0412P5J001	—	—	—	9CRH0412P5J001	40 × 40 × 56 mm	—	✓	✓	✓	227
9CRL0612P0G001	—	—	—	9CRL0612P0G001	60 × 60 × 76 mm	No	✓	✓	✓	361
9CRL0812P8G001	—	—	—	9CRL0812P8G001	80 × 80 × 80 mm	No	✓	✓	✓	366
9CRV0412P5J201	—	—	—	9CRV0412P5J201	40 × 40 × 56 mm	—	✓	✓	✓	229
9EC2024H001	9EC2024H002	9EC2024H001	9EC2024H0D01	—	∅200 × 70 mm	No	✓	✓	✓	218
9EC2048A001	9EC2048A002	9EC2048A001	9EC2048A0D01	9EC2048P0A01	∅200 × 70 mm	No	✓	✓	✓	218
9EC2048H001	9EC2048H002	9EC2048H001	—	—	∅200 × 70 mm	No	✓	✓	✓	218
9EC2048J001	9EC2048J002	9EC2048J001	—	9EC2048P0J01	∅200 × 70 mm	No	—	—	—	218
9G0612G101	9G0612G102	9G0612G101	9G0612G1D01	9G0612P1G03	60 × 60 × 38 mm	Yes	✓	✓	✓	92
9G0612G1011	9G0612G1021	9G0612G1011	9G0612G1D011	9G0612P1G011	60 × 60 × 38 mm	No	✓	✓	✓	92
9G0612P4H001	9G0612H4002	—	9G0612H4D001	9G0612P4H001	60 × 60 × 25 mm	Yes	✓	✓	✓	73
9G0612P4H0011	9G0612H40021	9G0612H40011	9G0612H4D0011	9G0612P4H0011	60 × 60 × 25 mm	No	✓	✓	✓	73
9G0612P4S001	9G0612S4002	9G0612S4001	—	9G0612P4S001	60 × 60 × 25 mm	Yes	✓	✓	✓	73
9G0612P4S0011	9G0612S40021	—	—	9G0612P4S0011	60 × 60 × 25 mm	No	✓	✓	✓	73
9G0612S101	9G0612S102	9G0612S101	9G0612S1D01	—	60 × 60 × 38 mm	Yes	✓	✓	✓	92
9G0612S1011	9G0612S1021	9G0612S1011	—	—	60 × 60 × 38 mm	No	✓	✓	✓	92
9G0624G101	9G0624G102	9G0624G101	9G0624G1D01	9G0624P1G03	60 × 60 × 38 mm	Yes	✓	✓	✓	92
9G0624G1011	9G0624G1021	9G0624G1011	9G0624G1D011	9G0624P1G031	60 × 60 × 38 mm	No	✓	✓	✓	92
9G0624H101	9G0624H102	9G0624H101	9G0624H1D01	—	60 × 60 × 38 mm	Yes	✓	✓	✓	92
9G0624H1011	9G0624H1021	9G0624H1011	—	—	60 × 60 × 38 mm	No	✓	✓	✓	92
9G0624P4H001	9G0624H4002	9G0624H4001	9G0624H4D001	9G0624P4H001	60 × 60 × 25 mm	Yes	✓	✓	✓	73
9G0624P4H0011	9G0624H40021	—	—	9G0624P4H0011	60 × 60 × 25 mm	No	✓	✓	✓	73
9G0624P4S001	9G0624S4002	—	9G0624S4D001	9G0624P4S001	60 × 60 × 25 mm	Yes	✓	✓	✓	73
9G0624P4S0011	9G0624S40021	—	—	9G0624P4S0011	60 × 60 × 25 mm	No	✓	✓	✓	73
9G0624S101	9G0624S102	9G0624S101	9G0624S1D01	—	60 × 60 × 38 mm	Yes	✓	✓	✓	92
9G0624S1011	9G0624S1021	9G0624S1011	—	—	60 × 60 × 38 mm	No	✓	✓	✓	92
9G0648G101	9G0648G102	9G0648G101	9G0648G1D01	9G0648P1G01	60 × 60 × 38 mm	Yes	✓	✓	✓	92
9G0648G1011	9G0648G1021	9G0648G1011	—	9G0648P1G011	60 × 60 × 38 mm	No	✓	✓	✓	92
9G0648P4S001	—	—	—	9G0648P4S001	60 × 60 × 25 mm	Yes	✓	✓	✓	73

Please contact your point of sale regarding low-speed sensors.

Models listed in the main section of this catalog	List of models (models not listed in the main section of this catalog are options. Standards for optional model numbers may differ from the certified standards listed at right. Contact us for details of models with "-" model numbers.)				Frame size	Rib	Standard (certification status is for the models listed in this catalog, and standards for optional model numbers may differ.)			page
	Without sensor	With pulse sensor	With lock sensor	With PWM control function and pulse sensor			UL (cUL)	CSA (cUL)	TÜV	
							✓	✓	✓	
9G0648P4S0011	—	—	—	9G0648P4S0011	60 × 60 × 25 mm	No	✓	✓	✓	73
9G0648S101	9G0648S102	9G0648S101	9G0648S1D01	—	60 × 60 × 38 mm	Yes	✓	✓	✓	92
9G0648S1011	9G0648S1021	9G0648S1011	—	—	60 × 60 × 38 mm	No	✓	✓	✓	92
9G0812G101	9G0812G102	9G0812G101	9G0812G1D01	9G0812P1G04	80 × 80 × 38 mm	Yes	✓	✓	✓	138
9G0812G1011	9G0812G1021	9G0812G1011	9G0812G1D011	9G0812P1G081	80 × 80 × 38 mm	No	✓	✓	✓	138
9G0812H101	9G0812H102	9G0812H101	9G0812H1D01	9G0812P1H03	80 × 80 × 38 mm	Yes	✓	✓	✓	138
9G0812H1011	9G0812H1021	9G0812H1011	9G0812H1D011	9G0812P1H051	80 × 80 × 38 mm	No	✓	✓	✓	138
9G0812K101	9G0812K102	9G0812K101	9G0812K1D01	9G0812P1K08	80 × 80 × 38 mm	Yes	✓	✓	✓	138
9G0812K1011	9G0812K1021	9G0812K1011	—	9G0812P1K081	80 × 80 × 38 mm	No	✓	✓	✓	138
9G0824G101	9G0824G102	9G0824G101	9G0824G1D01	9G0824P1G04	80 × 80 × 38 mm	Yes	✓	✓	✓	138
9G0824G1011	9G0824G1021	9G0824G1011	9G0824G1D011	—	80 × 80 × 38 mm	No	✓	✓	✓	138
9G0824H101	9G0824H102	9G0824H101	9G0824H1D01	—	80 × 80 × 38 mm	Yes	✓	✓	✓	138
9G0824H1011	9G0824H1021	9G0824H1011	9G0824H1D011	—	80 × 80 × 38 mm	No	✓	✓	✓	138
9G0848G101	9G0848G102	9G0848G101	9G0848G1D01	9G0848P1G03	80 × 80 × 38 mm	Yes	✓	✓	✓	138
9G0848G1011	9G0848G1021	9G0848G1011	9G0848G1D011	—	80 × 80 × 38 mm	No	✓	✓	✓	138
9G0848H101	9G0848H102	9G0848H101	9G0848H1D01	9G0848P1H04	80 × 80 × 38 mm	Yes	✓	✓	✓	138
9G0848H1011	9G0848H1021	9G0848H1011	—	—	80 × 80 × 38 mm	No	✓	✓	✓	138
9G0912A201	9G0912A202	9G0912A201	9G0912A2D01	9G0912P2A01	92 × 92 × 32 mm	Yes	✓	✓	✓	149
9G0912A2011	9G0912A2021	9G0912A2011	9G0912A2D011	—	92 × 92 × 32 mm	No	✓	✓	✓	149
9G0912G101	9G0912G102	9G0912G101	9G0912G1D01	9G0912P1G03	92 × 92 × 38 mm	Yes	✓	✓	✓	160
9G0912G1011	9G0912G1021	9G0912G1011	—	9G0912P1G031	92 × 92 × 38 mm	No	✓	✓	✓	160
9G0912H101	9G0912H102	9G0912H101	9G0912H1D01	9G0912P1H05	92 × 92 × 38 mm	Yes	✓	✓	✓	160
9G0912H1011	9G0912H1021	9G0912H1011	9G0912H1D011	—	92 × 92 × 38 mm	No	✓	✓	✓	160
9G0912H201	9G0912H202	9G0912H201	9G0912H2D01	9G0912P2H01	92 × 92 × 32 mm	Yes	✓	✓	✓	149
9G0912H2011	9G0912H2021	9G0912H2011	9G0912H2D011	—	92 × 92 × 32 mm	No	✓	✓	✓	149
9G0912M201	9G0912M202	9G0912M201	9G0912M2D01	—	92 × 92 × 32 mm	Yes	✓	✓	✓	149
9G0912M2011	9G0912M2021	9G0912M2011	9G0912M2D011	—	92 × 92 × 32 mm	No	✓	✓	✓	149
9G0912S201	9G0912S202	9G0912S201	9G0912S2D01	9G0912P2S01	92 × 92 × 32 mm	Yes	✓	✓	✓	149
9G0912S2011	9G0912S2021	9G0912S2011	9G0912S2D011	—	92 × 92 × 32 mm	No	✓	✓	✓	149
9G0924A201	9G0924A202	9G0924A201	9G0924A2D01	—	92 × 92 × 32 mm	Yes	✓	✓	✓	149
9G0924A2011	9G0924A2021	9G0924A2011	9G0924A2D011	—	92 × 92 × 32 mm	No	✓	✓	✓	149
9G0924G101	9G0924G102	9G0924G101	9G0924G1D01	—	92 × 92 × 38 mm	Yes	✓	✓	✓	160
9G0924G1011	9G0924G1021	9G0924G1011	9G0924G1D011	—	92 × 92 × 38 mm	No	✓	✓	✓	160
9G0924H101	9G0924H102	9G0924H101	9G0924H1D01	—	92 × 92 × 38 mm	Yes	✓	✓	✓	160
9G0924H1011	9G0924H1021	9G0924H1011	9G0924H1D011	—	92 × 92 × 38 mm	No	✓	✓	✓	160
9G0924H201	9G0924H202	9G0924H201	9G0924H2D01	—	92 × 92 × 32 mm	Yes	✓	✓	✓	149
9G0924H2011	9G0924H2021	9G0924H2011	9G0924H2D011	—	92 × 92 × 32 mm	No	✓	✓	✓	149
9G0924M201	9G0924M202	9G0924M201	9G0924M2D01	—	92 × 92 × 32 mm	Yes	✓	✓	✓	149
9G0924M2011	9G0924M2021	9G0924M2011	9G0924M2D011	—	92 × 92 × 32 mm	No	✓	✓	✓	149
9G0924S201	9G0924S202	9G0924S201	9G0924S2D01	—	92 × 92 × 32 mm	Yes	✓	✓	✓	149
9G0924S2011	9G0924S2021	9G0924S2011	9G0924S2D011	—	92 × 92 × 32 mm	No	✓	✓	✓	149
9G0948A201	9G0948A202	9G0948A201	9G0948A2D01	—	92 × 92 × 32 mm	Yes	✓	✓	✓	149
9G0948A2011	9G0948A2021	9G0948A2011	9G0948A2D011	—	92 × 92 × 32 mm	No	✓	✓	✓	149
9G0948G101	9G0948G102	9G0948G101	9G0948G1D01	—	92 × 92 × 38 mm	Yes	✓	✓	✓	160
9G0948G1011	9G0948G1021	9G0948G1011	—	—	92 × 92 × 38 mm	No	✓	✓	✓	160
9G0948H101	9G0948H102	9G0948H101	9G0948H1D01	—	92 × 92 × 38 mm	Yes	✓	✓	✓	160
9G0948H1011	—	9G0948H1011	—	—	92 × 92 × 38 mm	No	✓	✓	✓	160
9G0948H201	9G0948H202	9G0948H201	9G0948H2D01	—	92 × 92 × 32 mm	Yes	✓	✓	✓	149
9G0948H2011	9G0948H2021	9G0948H2011	9G0948H2D011	—	92 × 92 × 32 mm	No	✓	✓	✓	149
9G0948J101	—	9G0948J101	—	—	92 × 92 × 38 mm	Yes	✓	✓	✓	160
9G0948J1011	—	9G0948J1011	—	9G0948P1J031	92 × 92 × 38 mm	No	✓	✓	✓	160
9G0948M201	9G0948M202	9G0948M201	9G0948M2D01	—	92 × 92 × 32 mm	Yes	✓	✓	✓	149
9G0948M2011	9G0948M2021	9G0948M2011	9G0948M2D011	—	92 × 92 × 32 mm	No	✓	✓	✓	149
9G0948S201	9G0948S202	9G0948S201	9G0948S2D01	—	92 × 92 × 32 mm	Yes	✓	✓	✓	149
9G0948S2011	9G0948S2021	9G0948S2011	9G0948S2D011	—	92 × 92 × 32 mm	No	✓	✓	✓	149
9G1212A401	9G1212A402	9G1212A401	9G1212A4D01	—	120 × 120 × 25 mm	Yes	✓	✓	✓	172
9G1212A4011	9G1212A4021	9G1212A4011	9G1212A4D011	—	120 × 120 × 25 mm	No	✓	✓	✓	172
9G1212B401	—	9G1212B401	—	—	120 × 120 × 25 mm	Yes	—	—	—	172
9G1212B4011	—	9G1212B4011	—	—	120 × 120 × 25 mm	No	—	—	—	172
9G1212E101	9G1212E102	9G1212E101	9G1212E1D01	—	120 × 120 × 38 mm	Yes	✓	✓	✓	182
9G1212E1011	9G1212E1021	9G1212E1011	9G1212E1D011	—	120 × 120 × 38 mm	No	✓	✓	✓	182

Please contact your point of sale regarding low-speed sensors.

Models listed in the main section of this catalog	List of models (models not listed in the main section of this catalog are options. Standards for optional model numbers may differ from the certified standards listed at right. Contact us for details of models with "-" model numbers.)				Frame size	Rib	Standard (certification status is for the models listed in this catalog, and standards for optional model numbers may differ.)			page
	Without sensor	With pulse sensor	With lock sensor	With PWM control function and pulse sensor			UL (cUL)	CSA (cUL)	TÜV	
							✓	✓	✓	
9G1212E401	9G1212E402	9G1212E401	9G1212E4D01	9G1212P4E05	120 × 120 × 25 mm	Yes	✓	✓	✓	172
9G1212E4011	9G1212E4021	9G1212E4011	9G1212E4D011	9G1212P4E041	120 × 120 × 25 mm	No	✓	✓	✓	172
9G1212F101	9G1212F102	9G1212F101	—	—	120 × 120 × 38 mm	Yes	✓	✓	✓	182
9G1212F1011	9G1212F1021	9G1212F1011	—	—	120 × 120 × 38 mm	No	✓	✓	✓	182
9G1212F401	9G1212F402	9G1212F401	9G1212F4D01	—	120 × 120 × 25 mm	Yes	✓	✓	✓	172
9G1212F4011	9G1212F4021	9G1212F4011	9G1212F4D011	—	120 × 120 × 25 mm	No	✓	✓	✓	172
9G1212G101	9G1212G102	9G1212G101	9G1212G1D01	9G1212P1G04	120 × 120 × 38 mm	Yes	✓	✓	✓	182
9G1212G1011	9G1212G1021	9G1212G1011	9G1212G1D011	9G1212P1G081	120 × 120 × 38 mm	No	✓	✓	✓	182
9G1212G401	9G1212G402	9G1212G401	9G1212G4D01	9G1212P4G03	120 × 120 × 25 mm	Yes	✓	✓	✓	172
9G1212G4011	9G1212G4021	9G1212G4011	9G1212G4D011	9G1212P4G031	120 × 120 × 25 mm	No	✓	✓	✓	172
9G1212H101	9G1212H102	9G1212H101	9G1212H1D01	—	120 × 120 × 38 mm	Yes	✓	✓	✓	182
9G1212H1011	9G1212H1021	9G1212H1011	9G1212H1D011	—	120 × 120 × 38 mm	No	✓	✓	✓	182
9G1212H401	9G1212H402	9G1212H401	9G1212H4D01	9G1212P4H04	120 × 120 × 25 mm	Yes	✓	✓	✓	172
9G1212H4011	9G1212H4021	9G1212H4011	9G1212H4D011	9G1212P4H091	120 × 120 × 25 mm	No	✓	✓	✓	172
9G1212M101	9G1212M102	9G1212M101	9G1212M1D01	—	120 × 120 × 38 mm	Yes	✓	✓	✓	182
9G1212M1011	9G1212M1021	9G1212M1011	9G1212M1D011	—	120 × 120 × 38 mm	No	✓	✓	✓	182
9G1212M401	9G1212M402	9G1212M401	9G1212M4D01	—	120 × 120 × 25 mm	Yes	✓	✓	✓	172
9G1212M4011	9G1212M4021	9G1212M4011	9G1212M4D011	—	120 × 120 × 25 mm	No	✓	✓	✓	172
9G1224A401	9G1224A402	9G1224A401	9G1224A4D01	—	120 × 120 × 25 mm	Yes	✓	✓	✓	172
9G1224A4011	9G1224A4021	9G1224A4011	9G1224A4D011	—	120 × 120 × 25 mm	No	✓	✓	✓	172
9G1224E101	9G1224E102	9G1224E101	9G1224E1D01	—	120 × 120 × 38 mm	Yes	✓	✓	✓	182
9G1224E1011	9G1224E1021	9G1224E1011	9G1224E1D011	—	120 × 120 × 38 mm	No	✓	✓	✓	182
9G1224E401	9G1224E402	9G1224E401	9G1224E4D01	9G1224P4E01	120 × 120 × 25 mm	Yes	✓	✓	✓	172
9G1224E4011	9G1224E4021	9G1224E4011	9G1224E4D011	—	120 × 120 × 25 mm	No	✓	✓	✓	172
9G1224F101	9G1224F102	9G1224F101	9G1224F1D01	—	120 × 120 × 38 mm	Yes	✓	✓	✓	182
9G1224F1011	9G1224F1021	9G1224F1011	—	—	120 × 120 × 38 mm	No	✓	✓	✓	182
9G1224F401	9G1224F402	9G1224F401	9G1224F4D01	—	120 × 120 × 25 mm	Yes	✓	✓	✓	172
9G1224F4011	9G1224F4021	9G1224F4011	9G1224F4D011	—	120 × 120 × 25 mm	No	✓	✓	✓	172
9G1224G101	9G1224G102	9G1224G101	9G1224G1D01	9G1224P1G01	120 × 120 × 38 mm	Yes	✓	✓	✓	182
9G1224G1011	9G1224G1021	9G1224G1011	9G1224G1D011	—	120 × 120 × 38 mm	No	✓	✓	✓	182
9G1224G401	9G1224G402	9G1224G401	9G1224G4D01	—	120 × 120 × 25 mm	Yes	✓	✓	✓	172
9G1224G4011	9G1224G4021	9G1224G4011	9G1224G4D011	—	120 × 120 × 25 mm	No	✓	✓	✓	172
9G1224H101	9G1224H102	9G1224H101	9G1224H1D01	—	120 × 120 × 38 mm	Yes	✓	✓	✓	182
9G1224H1011	9G1224H1021	9G1224H1011	9G1224H1D011	—	120 × 120 × 38 mm	No	✓	✓	✓	182
9G1224H401	9G1224H402	9G1224H401	9G1224H4D01	—	120 × 120 × 25 mm	Yes	✓	✓	✓	172
9G1224H4011	9G1224H4021	9G1224H4011	9G1224H4D011	—	120 × 120 × 25 mm	No	✓	✓	✓	172
9G1224M101	9G1224M102	9G1224M101	9G1224M1D01	—	120 × 120 × 38 mm	Yes	✓	✓	✓	182
9G1224M1011	9G1224M1021	9G1224M1011	9G1224M1D011	—	120 × 120 × 38 mm	No	✓	✓	✓	182
9G1224M401	9G1224M402	9G1224M401	9G1224M4D01	—	120 × 120 × 25 mm	Yes	✓	✓	✓	172
9G1224M4011	9G1224M4021	9G1224M4011	9G1224M4D011	—	120 × 120 × 25 mm	No	✓	✓	✓	172
9G1248A401	9G1248A402	9G1248A401	9G1248A4D01	—	120 × 120 × 25 mm	Yes	✓	✓	✓	172
9G1248A4011	9G1248A4021	9G1248A4011	9G1248A4D011	—	120 × 120 × 25 mm	No	✓	✓	✓	172
9G1248E101	9G1248E102	9G1248E101	9G1248E1D01	—	120 × 120 × 38 mm	Yes	✓	✓	✓	182
9G1248E1011	9G1248E1021	9G1248E1011	9G1248E1D011	—	120 × 120 × 38 mm	No	✓	✓	✓	182
9G1248E401	9G1248E402	9G1248E401	9G1248E4D01	9G1248P4E05	120 × 120 × 25 mm	Yes	✓	✓	✓	172
9G1248E4011	9G1248E4021	9G1248E4011	9G1248E4D011	—	120 × 120 × 25 mm	No	✓	✓	✓	172
9G1248F101	9G1248F102	9G1248F101	9G1248F1D01	—	120 × 120 × 38 mm	Yes	✓	✓	✓	182
9G1248F1011	9G1248F1021	9G1248F1011	—	—	120 × 120 × 38 mm	No	✓	✓	✓	182
9G1248F401	9G1248F402	9G1248F401	9G1248F4D01	—	120 × 120 × 25 mm	Yes	✓	✓	✓	172
9G1248F4011	9G1248F4021	9G1248F4011	9G1248F4D011	—	120 × 120 × 25 mm	No	✓	✓	✓	172
9G1248G101	9G1248G102	9G1248G101	9G1248G1D01	9G1248P1G04	120 × 120 × 38 mm	Yes	✓	✓	✓	182
9G1248G1011	9G1248G1021	9G1248G1011	9G1248G1D011	9G1248P1G041	120 × 120 × 38 mm	No	✓	✓	✓	182
9G1248G401	9G1248G402	9G1248G401	9G1248G4D01	9G1248P4G04	120 × 120 × 25 mm	Yes	✓	✓	✓	172
9G1248G4011	9G1248G4021	9G1248G4011	9G1248G4D011	—	120 × 120 × 25 mm	No	✓	✓	✓	172
9G1248H101	9G1248H102	9G1248H101	9G1248H1D01	—	120 × 120 × 38 mm	Yes	✓	✓	✓	182
9G1248H1011	9G1248H1021	9G1248H1011	9G1248H1D011	—	120 × 120 × 38 mm	No	✓	✓	✓	182
9G1248H401	9G1248H402	9G1248H401	9G1248H4D01	—	120 × 120 × 25 mm	Yes	✓	✓	✓	172
9G1248H4011	9G1248H4021	9G1248H4011	9G1248H4D011	—	120 × 120 × 25 mm	No	✓	✓	✓	172
9G1248M101	9G1248M102	9G1248M101	9G1248M1D01	—	120 × 120 × 38 mm	Yes	✓	✓	✓	182
9G1248M1011	9G1248M1021	9G1248M1011	9G1248M1D011	—	120 × 120 × 38 mm	No	✓	✓	✓	182
9G1248M401	9G1248M402	9G1248M401	9G1248M4D01	—	120 × 120 × 25 mm	Yes	✓	✓	✓	172

Please contact your point of sale regarding low-speed sensors.

Models listed in the main section of this catalog	List of models (models not listed in the main section of this catalog are options. Standards for optional model numbers may differ from the certified standards listed at right. Contact us for details of models with "-" model numbers.)				Frame size	Rib	Standard (certification status is for the models listed in this catalog, and standards for optional model numbers may differ.)			page
	Without sensor	With pulse sensor	With lock sensor	With PWM control function and pulse sensor			UL (cUL)	CSA (cUL)	TÜV	
							✓	✓	✓	
9G1248M4011	9G1248M4021	9G1248M4011	9G1248M4D011	—	120 × 120 × 25 mm	No	✓	✓	✓	172
9GA0312P3G001	—	9GA0312G3001	—	9GA0312P3G001	38 × 38 × 28 mm	Yes	✓	✓	✓	14
9GA0312P3G0011	—	—	—	9GA0312P3G0011	38 × 38 × 28 mm	No	✓	✓	✓	14
9GA0312P3J001	—	9GA0312J3001	—	9GA0312P3J001	38 × 38 × 28 mm	Yes	✓	✓	✓	14
9GA0312P3J0011	—	—	—	9GA0312P3J0011	38 × 38 × 28 mm	No	✓	✓	✓	14
9GA0312P3K001	—	9GA0312K3001	—	9GA0312P3K001	38 × 38 × 28 mm	Yes	✓	✓	✓	14
9GA0312P3K0011	—	—	9GA0312K3D0011	9GA0312P3K0011	38 × 38 × 28 mm	No	✓	✓	✓	14
9GA0405P6F001	9GA0405F6002	9GA0405F6001	—	9GA0405P6F001	40 × 40 × 20 mm	Yes	✓	✓	✓	26
9GA0405P6H001	9GA0405H6002	9GA0405H6001	—	9GA0405P6H001	40 × 40 × 20 mm	Yes	✓	✓	✓	26
9GA0412G7001	9GA0412G7002	9GA0412G7001	9GA0412G7D001	9GA0412P7G001	40 × 40 × 15 mm	Yes	✓	✓	✓	21
9GA0412H7001	9GA0412H7002	9GA0412H7001	9GA0412H7D001	—	40 × 40 × 15 mm	Yes	✓	✓	✓	21
9GA0412P3G01	9GA0412G302	9GA0412G301	—	9GA0412P3G01	40 × 40 × 28 mm	Yes	✓	✓	✓	38
9GA0412P3G011	9GA0412G3021	9GA0412G3011	—	9GA0412P3G011	40 × 40 × 28 mm	No	✓	✓	✓	38
9GA0412P3H01	9GA0412H302	9GA0412H301	9GA0412H3D01	9GA0412P3H01	40 × 40 × 28 mm	Yes	✓	✓	✓	38
9GA0412P3H011	9GA0412H3021	9GA0412H3011	9GA0412H3D011	9GA0412P3H011	40 × 40 × 28 mm	No	✓	✓	✓	38
9GA0412P3J01	9GA0412J302	9GA0412J301	9GA0412J3D01	9GA0412P3J01	40 × 40 × 28 mm	Yes	✓	✓	✓	38
9GA0412P3J011	9GA0412J3021	9GA0412J3011	—	9GA0412P3J011	40 × 40 × 28 mm	No	✓	✓	✓	38
9GA0412P3K01	9GA0412K302	9GA0412K301	9GA0412K3D01	9GA0412P3K01	40 × 40 × 28 mm	Yes	✓	✓	✓	38
9GA0412P3K011	9GA0412K3021	9GA0412K3011	—	9GA0412P3K011	40 × 40 × 28 mm	No	✓	✓	✓	38
9GA0412P3M01	9GA0412M302	9GA0412M301	9GA0412M3D01	9GA0412P3M01	40 × 40 × 28 mm	Yes	✓	✓	✓	38
9GA0412P3M011	9GA0412M3021	9GA0412M3011	—	9GA0412P3M011	40 × 40 × 28 mm	No	✓	✓	✓	38
9GA0412P6F001	9GA0412F6002	9GA0412F6001	—	9GA0412P6F001	40 × 40 × 20 mm	Yes	✓	✓	✓	26
9GA0412P6G001	9GA0412G6002	9GA0412G6001	—	9GA0412P6G001	40 × 40 × 20 mm	Yes	✓	✓	✓	26
9GA0412P6H001	9GA0412H6002	9GA0412H6001	—	9GA0412P6H001	40 × 40 × 20 mm	Yes	✓	✓	✓	26
9GA0412P7G001	9GA0412G7002	9GA0412G7001	9GA0412G7D001	9GA0412P7G001	40 × 40 × 15 mm	Yes	✓	✓	✓	21
9GA0424P3G001	9GA0424G3002	9GA0424G3001	9GA0424G3D001	9GA0424P3G001	40 × 40 × 28 mm	Yes	✓	✓	✓	38
9GA0424P3G0011	9GA0424G30021	9GA0424G30011	—	9GA0424P3G0011	40 × 40 × 28 mm	No	✓	✓	✓	38
9GA0424P3H001	9GA0424H3002	9GA0424H3001	9GA0424H3D001	9GA0424P3H001	40 × 40 × 28 mm	Yes	✓	✓	✓	38
9GA0424P3H0011	9GA0424H30021	9GA0424H30011	—	9GA0424P3H0011	40 × 40 × 28 mm	No	✓	✓	✓	38
9GA0424P3J001	9GA0424J3002	9GA0424J3001	9GA0424J3D001	9GA0424P3J001	40 × 40 × 28 mm	Yes	✓	✓	✓	38
9GA0424P3J0011	9GA0424J30021	9GA0424J30011	—	9GA0424P3J0011	40 × 40 × 28 mm	No	✓	✓	✓	38
9GA0424P3M001	9GA0424M3002	9GA0424M3001	—	9GA0424P3M001	40 × 40 × 28 mm	Yes	✓	✓	✓	38
9GA0424P3M0011	9GA0424M30021	9GA0424M30011	9GA0424M3D001	9GA0424P3M0011	40 × 40 × 28 mm	No	✓	✓	✓	38
9GA0424P6F001	9GA0424F6002	9GA0424F6001	—	9GA0424P6F001	40 × 40 × 20 mm	Yes	✓	✓	✓	26
9GA0424P6G001	9GA0424G6002	9GA0424G6001	9GA0424G6D001	9GA0424P6G001	40 × 40 × 20 mm	Yes	✓	✓	✓	26
9GA0424P6H001	9GA0424H6002	9GA0424H6001	9GA0424H6D001	9GA0424P6H001	40 × 40 × 20 mm	Yes	✓	✓	✓	26
9GA0512P7A001	9GA0512A7002	9GA0512A7001	—	9GA0512P7A001	52 × 52 × 15 mm	Yes	✓	✓	✓	50
9GA0512P7G001	9GA0512G7002	9GA0512G7001	—	9GA0512P7G001	52 × 52 × 15 mm	Yes	✓	✓	✓	50
9GA0512P7H001	9GA0512H7002	9GA0512H7001	9GA0512H7D001	9GA0512P7H001	52 × 52 × 15 mm	Yes	✓	✓	✓	50
9GA0512P7M001	9GA0512M7002	9GA0512M7001	—	9GA0512P7M001	52 × 52 × 15 mm	Yes	✓	✓	✓	50
9GA0524P7A001	9GA0524A7002	9GA0524A7001	—	9GA0524P7A001	52 × 52 × 15 mm	Yes	✓	✓	✓	50
9GA0524P7G001	9GA0524G7002	9GA0524G7001	9GA0524G7D001	9GA0524P7G001	52 × 52 × 15 mm	Yes	✓	✓	✓	50
9GA0524P7H001	9GA0524H7002	9GA0524H7001	—	9GA0524P7H001	52 × 52 × 15 mm	Yes	✓	✓	✓	50
9GA0524P7M001	9GA0524M7002	9GA0524M7001	—	9GA0524P7M001	52 × 52 × 15 mm	Yes	✓	✓	✓	50
9GA0612G701	9GA0612G702	9GA0612G701	9GA0612G7D01	9GA0612P7G01	60 × 60 × 15 mm	Yes	✓	✓	✓	59
9GA0612G9001	9GA0612G9002	9GA0612G9001	9GA0612G9D001	9GA0612P9G001	60 × 60 × 10 mm	Yes	✓	✓	✓	57
9GA0612H6001	9GA0612H6002	9GA0612H6001	9GA0612H6D001	—	60 × 60 × 20 mm	Yes	✓	✓	✓	65
9GA0612H701	9GA0612H702	9GA0612H701	9GA0612H7D01	9GA0612P7H01	60 × 60 × 15 mm	Yes	✓	✓	✓	59
9GA0612H9001	9GA0612H9002	9GA0612H9001	9GA0612H9D001	—	60 × 60 × 10 mm	Yes	✓	✓	✓	57
9GA0612L701	9GA0612L702	9GA0612L701	9GA0612L7D01	—	60 × 60 × 15 mm	Yes	✓	✓	✓	59
9GA0612L9001	9GA0612L9002	9GA0612L9001	9GA0612L9D001	—	60 × 60 × 10 mm	Yes	✓	✓	✓	57
9GA0612M6001	9GA0612M6002	9GA0612M6001	9GA0612M6D001	—	60 × 60 × 20 mm	Yes	✓	✓	✓	65
9GA0612M701	9GA0612M702	9GA0612M701	—	—	60 × 60 × 15 mm	Yes	✓	✓	✓	59
9GA0612P1H03	9GA0612H102	9GA0612H101	—	9GA0612P1H03	60 × 60 × 38 mm	Yes	✓	✓	✓	85
9GA0612P1H031	9GA0612H1021	9GA0612H1011	—	9GA0612P1H031	60 × 60 × 38 mm	No	✓	✓	✓	85
9GA0612P1J03	9GA0612J102	9GA0612J101	9GA0612J1D01	9GA0612P1J03	60 × 60 × 38 mm	Yes	✓	✓	✓	85
9GA0612P1J031	9GA0612J1021	9GA0612J1011	—	9GA0612P1J031	60 × 60 × 38 mm	No	✓	✓	✓	85
9GA0612P1K03	9GA0612K102	9GA0612K101	9GA0612K1D011	9GA0612P1K03	60 × 60 × 38 mm	Yes	✓	✓	✓	85
9GA0612P1K031	9GA0612K1021	9GA0612K1011	—	9GA0612P1K031	60 × 60 × 38 mm	No	✓	✓	✓	85
9GA0612P1K60	—	—	—	9GA0612P1K60	60 × 60 × 38 mm	Yes	✓	✓	✓	85
9GA0612P1K601	—	—	—	9GA0612P1K601	60 × 60 × 38 mm	No	✓	✓	✓	85

Please contact your point of sale regarding low-speed sensors.

Models listed in the main section of this catalog	List of models (models not listed in the main section of this catalog are options. Standards for optional model numbers may differ from the certified standards listed at right. Contact us for details of models with "-" model numbers.)				Frame size	Rib	Standard (certification status is for the models listed in this catalog, and standards for optional model numbers may differ.)			page
	Without sensor	With pulse sensor	With lock sensor	With PWM control function and pulse sensor			UL (cUL)	CSA (cUL)	TÜV	
							✓	✓	✓	
9GA0612P6G001	9GA0612G6002	9GA0612G6001	—	9GA0612P6G001	60 × 60 × 20 mm	Yes	✓	✓	✓	65
9GA0612P6S001	9GA0612S6002	9GA0612S6001	—	9GA0612P6S001	60 × 60 × 20 mm	Yes	✓	✓	✓	65
9GA0612P7G01	9GA0612G702	9GA0612G701	9GA0612G7D01	9GA0612P7G01	60 × 60 × 15 mm	Yes	✓	✓	✓	59
9GA0612P7H01	9GA0612H702	9GA0612H701	9GA0612H7D01	9GA0612P7H01	60 × 60 × 15 mm	Yes	✓	✓	✓	59
9GA0624H6001	9GA0624H6002	9GA0624H6001	9GA0624H6D001	—	60 × 60 × 20 mm	Yes	✓	✓	✓	65
9GA0624M6001	9GA0624M6002	9GA0624M6001	9GA0624M6D001	—	60 × 60 × 20 mm	Yes	✓	✓	✓	65
9GA0624M701	9GA0624M702	9GA0624M701	—	—	60 × 60 × 15 mm	Yes	✓	✓	✓	59
9GA0624P1J03	9GA0624J102	9GA0624J101	—	9GA0624P1J03	60 × 60 × 38 mm	Yes	✓	✓	✓	85
9GA0624P1J031	9GA0624J1021	9GA0624J1011	—	9GA0624P1J031	60 × 60 × 38 mm	No	✓	✓	✓	85
9GA0624P1K03	—	—	—	9GA0624P1K03	60 × 60 × 38 mm	Yes	✓	✓	✓	85
9GA0624P1K031	—	—	—	9GA0624P1K031	60 × 60 × 38 mm	No	✓	✓	✓	85
9GA0624P6G001	9GA0624G6002	9GA0624G6001	—	9GA0624P6G001	60 × 60 × 20 mm	Yes	✓	✓	✓	65
9GA0624P6S001	9GA0624S6002	—	—	9GA0624P6S001	60 × 60 × 20 mm	Yes	✓	✓	✓	65
9GA0624P7G01	9GA0624G702	—	—	9GA0624P7G01	60 × 60 × 15 mm	Yes	✓	✓	—	59
9GA0712P1G001	—	—	—	9GA0712P1G001	70 × 70 × 38 mm	Yes	✓	✓	✓	95
9GA0712P1G0011	—	—	—	9GA0712P1G0011	70 × 70 × 38 mm	No	✓	✓	✓	95
9GA0712P1H001	—	—	—	9GA0712P1H001	70 × 70 × 38 mm	Yes	✓	✓	✓	95
9GA0712P1H0011	—	—	—	9GA0712P1H0011	70 × 70 × 38 mm	No	✓	✓	✓	95
9GA0812H7001	—	9GA0812H7001	9GA0812H7D001	—	80 × 80 × 15 mm	Yes	✓	✓	✓	97
9GA0812P1G61	—	—	—	9GA0812P1G61	80 × 80 × 38 mm	Yes	✓	✓	✓	131
9GA0812P1G611	—	—	—	9GA0812P1G611	80 × 80 × 38 mm	No	✓	✓	✓	131
9GA0812P1H61	9GA0812H162	9GA0812H161	9GA0812H1D61	9GA0812P1H61	80 × 80 × 38 mm	Yes	✓	✓	✓	131
9GA0812P1H611	9GA0812H1621	9GA0812H1611	—	9GA0812P1H611	80 × 80 × 38 mm	No	✓	✓	✓	131
9GA0812P1S61	9GA0812S162	9GA0812S161	9GA0812S1D61	9GA0812P1S61	80 × 80 × 38 mm	Yes	✓	✓	✓	131
9GA0812P1S611	9GA0812S1621	9GA0812S1611	—	9GA0812P1S611	80 × 80 × 38 mm	No	✓	✓	✓	131
9GA0812P2H001	—	—	—	9GA0812P2H001	80 × 80 × 32 mm	Yes	✓	✓	✓	123
9GA0812P2H0011	—	—	—	9GA0812P2H0011	80 × 80 × 32 mm	No	✓	✓	✓	123
9GA0812P2M001	—	—	—	9GA0812P2M001	80 × 80 × 32 mm	Yes	✓	✓	✓	123
9GA0812P2M0011	—	—	—	9GA0812P2M0011	80 × 80 × 32 mm	No	✓	✓	✓	123
9GA0812P2S001	—	9GA0812S2001	—	9GA0812P2S001	80 × 80 × 32 mm	Yes	✓	✓	✓	123
9GA0812P2S0011	—	—	—	9GA0812P2S0011	80 × 80 × 32 mm	No	✓	✓	✓	123
9GA0812P4G001	9GA0812G4002	9GA0812G4001	—	9GA0812P4G001	80 × 80 × 25 mm	Yes	✓	✓	✓	108
9GA0812P4G0011	9GA0812G40021	9GA0812G40011	—	9GA0812P4G0011	80 × 80 × 25 mm	No	✓	✓	✓	108
9GA0812P4H001	9GA0812H4002	9GA0812H4001	9GA0812H4D001	9GA0812P4H001	80 × 80 × 25 mm	Yes	✓	✓	✓	108
9GA0812P4H0011	9GA0812H40021	9GA0812H40011	—	9GA0812P4H0011	80 × 80 × 25 mm	No	✓	✓	✓	108
9GA0812P4J001	9GA0812J4002	9GA0812J4001	9GA0812J4D001	9GA0812P4J001	80 × 80 × 25 mm	Yes	✓	✓	✓	108
9GA0812P4J0011	9GA0812J40021	9GA0812J40011	—	9GA0812P4J0011	80 × 80 × 25 mm	No	✓	✓	✓	108
9GA0812P6G001	9GA0812G6002	9GA0812G6001	—	9GA0812P6G001	80 × 80 × 20 mm	Yes	✓	✓	✓	102
9GA0812P6M001	9GA0812M6002	9GA0812M6001	—	9GA0812P6M001	80 × 80 × 20 mm	Yes	✓	✓	✓	102
9GA0812P7G001	—	—	—	9GA0812P7G001	80 × 80 × 15 mm	Yes	✓	✓	✓	97
9GA0812P7S001	—	—	—	9GA0812P7S001	80 × 80 × 15 mm	Yes	✓	✓	✓	97
9GA0824H7001	9GA0824H7002	9GA0824H7001	9GA0824H7D001	—	80 × 80 × 15 mm	Yes	✓	✓	✓	97
9GA0824P1H61	9GA0824H162	9GA0824H161	9GA0824H1D61	9GA0824P1H61	80 × 80 × 38 mm	Yes	✓	✓	✓	131
9GA0824P1H611	9GA0824H1621	9GA0824H1611	—	9GA0824P1H611	80 × 80 × 38 mm	No	✓	✓	✓	131
9GA0824P1S61	9GA0824S162	9GA0824S161	—	9GA0824P1S61	80 × 80 × 38 mm	Yes	✓	✓	✓	131
9GA0824P1S611	9GA0824S1621	9GA0824S1611	—	9GA0824P1S611	80 × 80 × 38 mm	No	✓	✓	✓	131
9GA0824P2S001	9GA0824S2002	—	—	9GA0824P2S001	80 × 80 × 32 mm	Yes	✓	✓	✓	123
9GA0824P2S0011	—	—	—	9GA0824P2S0011	80 × 80 × 32 mm	No	✓	✓	✓	123
9GA0824P4G001	9GA0824G4002	9GA0824G4001	—	9GA0824P4G001	80 × 80 × 25 mm	Yes	✓	✓	✓	108
9GA0824P4G0011	9GA0824G40021	9GA0824G40011	—	9GA0824P4G0011	80 × 80 × 25 mm	No	✓	✓	✓	108
9GA0824P4H001	9GA0824H4002	9GA0824H4001	9GA0824H4D001	9GA0824P4H001	80 × 80 × 25 mm	Yes	✓	✓	✓	108
9GA0824P4H0011	9GA0824H40021	9GA0824H40011	—	9GA0824P4H0011	80 × 80 × 25 mm	No	✓	✓	✓	108
9GA0824P4J001	9GA0824J4002	9GA0824J4001	9GA0824J4D001	9GA0824P4J001	80 × 80 × 25 mm	Yes	✓	✓	✓	108
9GA0824P4J0011	9GA0824J40021	9GA0824J40011	9GA0824J4D0011	9GA0824P4J0011	80 × 80 × 25 mm	No	✓	✓	✓	108
9GA0824P6G001	9GA0824G6002	9GA0824G6001	—	9GA0824P6G001	80 × 80 × 20 mm	Yes	✓	✓	✓	102
9GA0824P6M001	9GA0824M6002	9GA0824M6001	—	9GA0824P6M001	80 × 80 × 20 mm	Yes	✓	✓	✓	102
9GA0824P7G001	—	—	9GA0824G7D001	9GA0824P7G001	80 × 80 × 15 mm	Yes	✓	✓	✓	97
9GA0824P7S001	—	—	—	9GA0824P7S001	80 × 80 × 15 mm	Yes	✓	✓	✓	97
9GA0848P1S61	—	—	—	9GA0848P1S61	80 × 80 × 38 mm	Yes	✓	✓	✓	131
9GA0848P1S611	—	—	—	9GA0848P1S611	80 × 80 × 38 mm	No	✓	✓	✓	131
9GA0848P2S001	—	—	—	9GA0848P2S001	80 × 80 × 32 mm	Yes	✓	✓	✓	123

Please contact your point of sale regarding low-speed sensors.

Models listed in the main section of this catalog	List of models (models not listed in the main section of this catalog are options. Standards for optional model numbers may differ from the certified standards listed at right. Contact us for details of models with "-" model numbers.)				Frame size	Rib	Standard (certification status is for the models listed in this catalog, and standards for optional model numbers may differ.)			page
	Without sensor	With pulse sensor	With lock sensor	With PWM control function and pulse sensor			UL (cUL)	CSA (cUL)	TÜV	
							✓	✓	✓	
9GA0848P2S0011	—	—	—	9GA0848P2S0011	80 × 80 × 32 mm	No	✓	✓	✓	123
9GA0912P1H03	9GA0912H102	9GA0912H101	9GA0912H1D01	9GA0912P1H03	92 × 92 × 38 mm	Yes	✓	✓	✓	152
9GA0912P1H031	9GA0912H1021	9GA0912H1011	—	9GA0912P1H031	92 × 92 × 38 mm	No	✓	✓	✓	152
9GA0912P4G03	9GA0912G402	9GA0912G401	9GA0912G4D01	9GA0912P4G03	92 × 92 × 25 mm	Yes	✓	✓	✓	141
9GA0912P4G031	9GA0912G4021	9GA0912G4011	—	9GA0912P4G031	92 × 92 × 25 mm	No	✓	✓	✓	141
9GA0912P4J03	9GA0912J402	9GA0912J401	9GA0912J4D01	9GA0912P4J03	92 × 92 × 25 mm	Yes	✓	✓	✓	141
9GA0912P4J031	9GA0912J4021	9GA0912J4011	—	9GA0912P4J031	92 × 92 × 25 mm	No	✓	✓	✓	141
9GA0912P4S03	9GA0912S402	9GA0912S401	—	9GA0912P4S03	92 × 92 × 25 mm	Yes	✓	✓	✓	141
9GA0912P4S031	9GA0912S4021	9GA0912S4011	—	9GA0912P4S031	92 × 92 × 25 mm	No	✓	✓	✓	141
9GA0924P1H01	9GA0924H102	9GA0924H101	9GA0924H1D01	9GA0924P1H01	92 × 92 × 38 mm	Yes	✓	✓	✓	152
9GA0924P1H011	—	9GA0924H1011	9GA0924H1D011	9GA0924P1H011	92 × 92 × 38 mm	No	✓	✓	✓	152
9GA0924P4G03	9GA0924G402	9GA0924G401	9GA0924G4D01	9GA0924P4G03	92 × 92 × 25 mm	Yes	✓	✓	✓	141
9GA0924P4G031	9GA0924G4021	9GA0924G4011	—	9GA0924P4G031	92 × 92 × 25 mm	No	✓	✓	✓	141
9GA0924P4J03	9GA0924J402	9GA0924J401	9GA0924J4D01	9GA0924P4J03	92 × 92 × 25 mm	Yes	✓	✓	✓	141
9GA0924P4J031	9GA0924J4021	9GA0924J4011	—	9GA0924P4J031	92 × 92 × 25 mm	No	✓	✓	✓	141
9GA0924P4S03	9GA0924S402	9GA0924S401	—	9GA0924P4S03	92 × 92 × 25 mm	Yes	✓	✓	✓	141
9GA0924P4S031	9GA0924S4021	9GA0924S4011	—	9GA0924P4S031	92 × 92 × 25 mm	No	✓	✓	✓	141
9GA0948P1H03	9GA0948H102	9GA0948H101	—	9GA0948P1H03	92 × 92 × 38 mm	Yes	✓	✓	✓	152
9GA0948P1H031	—	—	—	9GA0948P1H031	92 × 92 × 38 mm	No	✓	✓	✓	152
9GA1212G4001	—	9GA1212G4001	—	9GA1212P4G001	120 × 120 × 25 mm	Yes	✓	✓	✓	165
9GA1212G40011	—	9GA1212G40011	—	9GA1212P4G0011	120 × 120 × 25 mm	No	✓	✓	✓	165
9GA1212P4G001	—	9GA1212G4001	—	9GA1212P4G001	120 × 120 × 25 mm	Yes	✓	✓	✓	165
9GA1212P4G0011	—	9GA1212G40011	—	9GA1212P4G0011	120 × 120 × 25 mm	No	✓	✓	✓	165
9GA1212P4S001	—	9GA1212S4001	—	9GA1212P4S001	120 × 120 × 25 mm	Yes	✓	✓	✓	165
9GA1212P4S0011	—	9GA1212S40011	—	9GA1212P4S0011	120 × 120 × 25 mm	No	✓	✓	✓	165
9GA1212S4001	—	9GA1212S4001	—	9GA1212P4S001	120 × 120 × 25 mm	Yes	✓	✓	✓	165
9GA1212S40011	—	9GA1212S40011	—	9GA1212P4S0011	120 × 120 × 25 mm	No	✓	✓	✓	165
9GA1224G4001	9GA1224G4002	9GA1224G4001	9GA1224G4D001	9GA1224P4G001	120 × 120 × 25 mm	Yes	✓	✓	✓	165
9GA1224G40011	—	9GA1224G40011	—	9GA1224P4G0011	120 × 120 × 25 mm	No	✓	✓	✓	165
9GA1224P4G001	9GA1224G4002	9GA1224G4001	9GA1224G4D001	9GA1224P4G001	120 × 120 × 25 mm	Yes	✓	✓	✓	165
9GA1224P4G0011	—	9GA1224G40011	—	9GA1224P4G0011	120 × 120 × 25 mm	No	✓	✓	✓	165
9GA1224P4S001	—	9GA1224S4001	—	9GA1224P4S001	120 × 120 × 25 mm	Yes	✓	✓	✓	165
9GA1224P4S0011	—	9GA1224S40011	—	9GA1224P4S0011	120 × 120 × 25 mm	No	✓	✓	✓	165
9GA1224S4001	—	9GA1224S4001	—	9GA1224P4S001	120 × 120 × 25 mm	Yes	✓	✓	✓	165
9GA1224S40011	—	9GA1224S40011	—	9GA1224P4S0011	120 × 120 × 25 mm	No	✓	✓	✓	165
9GA1248G4001	—	9GA1248G4001	—	9GA1248P4G001	120 × 120 × 25 mm	Yes	✓	✓	✓	165
9GA1248G40011	—	9GA1248G40011	—	9GA1248P4G0011	120 × 120 × 25 mm	No	✓	✓	✓	165
9GA1248P4G001	—	9GA1248G4001	—	9GA1248P4G001	120 × 120 × 25 mm	Yes	✓	✓	✓	165
9GA1248P4G0011	—	9GA1248G40011	—	9GA1248P4G0011	120 × 120 × 25 mm	No	✓	✓	✓	165
9GA1248P4S001	—	9GA1248S4001	—	9GA1248P4S001	120 × 120 × 25 mm	Yes	✓	✓	✓	165
9GA1248P4S0011	—	9GA1248S40011	—	9GA1248P4S0011	120 × 120 × 25 mm	No	✓	✓	✓	165
9GA1248S4001	—	9GA1248S4001	—	9GA1248P4S001	120 × 120 × 25 mm	Yes	✓	✓	✓	165
9GA1248S40011	—	9GA1248S40011	—	9GA1248P4S0011	120 × 120 × 25 mm	No	✓	✓	✓	165
9GAX0412P3K001	—	—	—	9GAX0412P3K001	40 × 40 × 28 mm	Yes	✓	✓	✓	35
9GAX0412P3K0011	—	—	—	9GAX0412P3K0011	40 × 40 × 28 mm	No	✓	✓	✓	35
9GAX0412P3K003	—	—	—	9GAX0412P3K003	40 × 40 × 28 mm	Yes	✓	✓	✓	35
9GAX0412P3K0031	—	—	—	9GAX0412P3K0031	40 × 40 × 28 mm	No	✓	✓	✓	35
9GAX0412P3S001	—	—	—	9GAX0412P3S001	40 × 40 × 28 mm	Yes	✓	✓	✓	35
9GAX0412P3S0011	—	—	—	9GAX0412P3S0011	40 × 40 × 28 mm	No	✓	✓	✓	35
9GAX0412P3S003	—	—	—	9GAX0412P3S003	40 × 40 × 28 mm	Yes	✓	✓	✓	35
9GAX0412P3S0031	—	—	—	9GAX0412P3S0031	40 × 40 × 28 mm	No	✓	✓	✓	35
9GE0412P3G03	—	—	9GE0412G3D01	9GE0412P3G03	40 × 40 × 28 mm	No	✓	✓	✓	42
9GE0412P3J03	—	9GE0412J301	9GE0412J3D01	9GE0412P3J03	40 × 40 × 28 mm	No	✓	✓	✓	42
9GE0412P3K03	—	9GE0412K301	9GE0412K3D01	9GE0412P3K03	40 × 40 × 28 mm	No	✓	✓	✓	42
9GL1212E101	9GL1212E102	9GL1212E101	9GL1212E1D01	—	120 × 120 × 38 mm	No	✓	✓	✓	379
9GL1212F101	9GL1212F102	9GL1212F101	9GL1212F1D01	—	120 × 120 × 38 mm	No	✓	✓	✓	379
9GL1212G101	9GL1212G102	9GL1212G101	9GL1212G1D01	—	120 × 120 × 38 mm	No	✓	✓	✓	379
9GL1212H101	9GL1212H102	9GL1212H101	9GL1212H1D01	—	120 × 120 × 38 mm	No	✓	✓	✓	379
9GL1212M101	9GL1212M102	9GL1212M101	9GL1212M1D01	—	120 × 120 × 38 mm	No	✓	✓	✓	379
9GL1224E101	9GL1224E102	9GL1224E101	9GL1224E1D01	—	120 × 120 × 38 mm	No	✓	✓	✓	379
9GL1224F101	9GL1224F102	9GL1224F101	9GL1224F1D01	—	120 × 120 × 38 mm	No	✓	✓	✓	379

Please contact your point of sale regarding low-speed sensors.

Models listed in the main section of this catalog	List of models (models not listed in the main section of this catalog are options. Standards for optional model numbers may differ from the certified standards listed at right. Contact us for details of models with "-" model numbers.)				Frame size	Rib	Standard (certification status is for the models listed in this catalog, and standards for optional model numbers may differ.)			page
	Without sensor	With pulse sensor	With lock sensor	With PWM control function and pulse sensor			UL (cUL)	CSA (cUL)	TÜV	
							✓	✓	✓	
9GL1224G101	9GL1224G102	9GL1224G101	9GL1224G1D01	—	120 × 120 × 38 mm	No	✓	✓	✓	379
9GL1224H101	9GL1224H102	9GL1224H101	9GL1224H1D01	—	120 × 120 × 38 mm	No	✓	✓	✓	379
9GL1224M101	9GL1224M102	9GL1224M101	9GL1224M1D01	—	120 × 120 × 38 mm	No	✓	✓	✓	379
9GL1248E101	9GL1248E102	9GL1248E101	9GL1248E1D01	—	120 × 120 × 38 mm	No	✓	✓	✓	379
9GL1248F101	9GL1248F102	9GL1248F101	9GL1248F1D01	—	120 × 120 × 38 mm	No	✓	✓	✓	379
9GL1248G101	9GL1248G102	9GL1248G101	9GL1248G1D01	—	120 × 120 × 38 mm	No	✓	✓	✓	379
9GL1248H101	9GL1248H102	9GL1248H101	9GL1248H1D01	—	120 × 120 × 38 mm	No	✓	✓	✓	379
9GL1248M101	9GL1248M102	9GL1248M101	9GL1248M1D01	—	120 × 120 × 38 mm	No	✓	✓	✓	379
9GP1224P1G001	—	—	—	9GP1224P1G001	120 × 120 × 38 mm	No	✓	✓	✓	408
9GP1248P1G001	—	—	—	9GP1248P1G001	120 × 120 × 38 mm	No	✓	✓	✓	408
9GP5724P5H001	—	—	—	9GP5724P5H001	∅172 × 150 × 51 mm	No	✓	✓	✓	410
9GP5748P5G001	—	—	—	9GP5748P5G001	∅172 × 150 × 51 mm	No	✓	✓	✓	410
9GT0412P3J001	9GT0412J3002	9GT0412J3001	9GT0412J3D001	9GT0412P3J001	40 × 40 × 28 mm	No	✓	✓	✓	394
9GT0424P3J001	9GT0424J3002	9GT0424J3001	9GT0424J3D001	9GT0424P3J001	40 × 40 × 28 mm	No	✓	✓	✓	394
9GT0612P4G001	9GT0612G4002	9GT0612G4001	9GT0612G4D001	9GT0612P4G001	60 × 60 × 25 mm	No	✓	✓	✓	396
9GT0624P4G001	9GT0624G4002	9GT0624G4001	—	9GT0624P4G001	60 × 60 × 25 mm	No	✓	✓	✓	396
9GT0812P4S001	9GT0812S4002	9GT0812S4001	9GT0812S4D001	9GT0812P4S001	80 × 80 × 25 mm	No	✓	✓	✓	398
9GT0824P4S001	9GT0824S4002	9GT0824S4001	—	9GT0824P4S001	80 × 80 × 25 mm	No	✓	✓	✓	398
9GT0912P1M001	9GT0912M1002	9GT0912M1001	9GT0912M1D001	9GT0912P1M001	92 × 92 × 38 mm	No	✓	✓	✓	402
9GT0912P4J001	9GT0912J4002	9GT0912J4001	9GT0912J4D001	9GT0912P4J001	92 × 92 × 25 mm	No	✓	✓	✓	400
9GT0924P1M001	9GT0924M1002	—	9GT0924M1D001	9GT0924P1M001	92 × 92 × 38 mm	No	✓	✓	✓	402
9GT0924P4J001	9GT0924J4002	9GT0924J4001	—	9GT0924P4J001	92 × 92 × 25 mm	No	✓	✓	✓	400
9GT1212P1S001	—	—	—	9GT1212P1S001	120 × 120 × 38 mm	No	✓	✓	✓	404
9GT1224P1S001	9GT1224S1002	—	9GT1224S1D001	9GT1224P1S001	120 × 120 × 38 mm	No	✓	✓	✓	404
9GV0312E301	9GV0312E302	9GV0312E301	9GV0312E3D01	—	38 × 38 × 28 mm	Yes	✓	✓	✓	17
9GV0312E3011	—	9GV0312E3011	9GV0312E3D011	—	38 × 38 × 28 mm	No	✓	✓	✓	17
9GV0312G301	9GV0312G302	9GV0312G301	9GV0312G3D01	9GV0312P3G03	38 × 38 × 28 mm	Yes	✓	✓	✓	17
9GV0312G3011	9GV0312G3021	9GV0312G3011	—	—	38 × 38 × 28 mm	No	✓	✓	✓	17
9GV0312H301	9GV0312H302	9GV0312H301	9GV0312H3D01	—	38 × 38 × 28 mm	Yes	✓	✓	✓	17
9GV0312H3011	—	9GV0312H3011	—	—	38 × 38 × 28 mm	No	✓	✓	✓	17
9GV0312J301	9GV0312J302	9GV0312J301	9GV0312J3D01	9GV0312P3J03	38 × 38 × 28 mm	Yes	✓	✓	✓	17
9GV0312J3011	9GV0312J3021	9GV0312J3011	—	9GV0312P3J031	38 × 38 × 28 mm	No	✓	✓	✓	17
9GV0312K301	—	9GV0312K301	9GV0312K3D01	9GV0312P3K01	38 × 38 × 28 mm	Yes	✓	✓	✓	17
9GV0312K3011	—	9GV0312K3011	9GV0312K3D011	—	38 × 38 × 28 mm	No	✓	✓	✓	17
9GV0412C301	—	9GV0412C301	9GV0412C3D01	—	40 × 40 × 28 mm	Yes	✓	✓	✓	45
9GV0412C3011	—	9GV0412C3011	9GV0412C3D011	—	40 × 40 × 28 mm	No	✓	✓	✓	45
9GV0412G301	9GV0412G302	9GV0412G301	9GV0412G3D01	9GV0412P3G03	40 × 40 × 28 mm	Yes	✓	✓	✓	45
9GV0412G3011	9GV0412G3021	9GV0412G3011	9GV0412G3D011	9GV0412P3G031	40 × 40 × 28 mm	No	✓	✓	✓	45
9GV0412H301	—	9GV0412H301	9GV0412H3D01	9GV0412P3H01	40 × 40 × 28 mm	Yes	✓	✓	✓	45
9GV0412H3011	—	9GV0412H3011	—	—	40 × 40 × 28 mm	No	✓	✓	✓	45
9GV0412J301	9GV0412J302	9GV0412J301	9GV0412J3D01	9GV0412P3J03	40 × 40 × 28 mm	Yes	✓	✓	✓	45
9GV0412J3011	9GV0412J3021	9GV0412J3011	9GV0412J3D011	9GV0412P3J031	40 × 40 × 28 mm	No	✓	✓	✓	45
9GV0412K301	9GV0412K302	9GV0412K301	9GV0412K3D01	9GV0412P3K03	40 × 40 × 28 mm	Yes	✓	✓	✓	45
9GV0412K3011	—	9GV0412K3011	—	—	40 × 40 × 28 mm	No	✓	✓	✓	45
9GV0612P1G03	9GV0612G102	9GV0612G101	9GV0612G1D01	9GV0612P1G03	60 × 60 × 38 mm	Yes	✓	✓	✓	88
9GV0612P1G031	9GV0612G1021	9GV0612G1011	9GV0612G1D011	9GV0612P1G031	60 × 60 × 38 mm	No	✓	✓	✓	88
9GV0612P1H03	9GV0612H102	9GV0612H101	9GV0612H1D01	9GV0612P1H03	60 × 60 × 38 mm	Yes	✓	✓	✓	88
9GV0612P1H031	9GV0612H1021	9GV0612H1011	9GV0612H1D011	9GV0612P1H031	60 × 60 × 38 mm	No	✓	✓	✓	88
9GV0612P1L01	9GV0612L102	—	—	9GV0612P1L01	60 × 60 × 38 mm	Yes	✓	✓	✓	88
9GV0612P1L011	9GV0612L1021	9GV0612L1011	9GV0612L1D011	9GV0612P1L011	60 × 60 × 38 mm	No	✓	✓	✓	88
9GV0612P1M03	9GV0612M102	9GV0612M101	9GV0612M1D01	9GV0612P1M03	60 × 60 × 38 mm	Yes	✓	✓	✓	88
9GV0612P1M031	—	9GV0612M1011	9GV0612M1D011	9GV0612P1M031	60 × 60 × 38 mm	No	✓	✓	✓	88
9GV0624P1G03	9GV0624G102	—	9GV0624G1D01	9GV0624P1G03	60 × 60 × 38 mm	Yes	✓	✓	✓	88
9GV0624P1G031	9GV0624G1021	—	—	9GV0624P1G031	60 × 60 × 38 mm	No	✓	✓	✓	88
9GV0624P1M03	9GV0624M102	9GV0624M101	—	9GV0624P1M03	60 × 60 × 38 mm	Yes	✓	✓	✓	88
9GV0624P1M031	—	—	—	9GV0624P1M031	60 × 60 × 38 mm	No	✓	✓	✓	88
9GV0648P1H03	—	—	—	9GV0648P1H03	60 × 60 × 38 mm	Yes	✓	✓	✓	88
9GV0648P1H031	—	—	—	9GV0648P1H031	60 × 60 × 38 mm	No	✓	✓	✓	88
9GV0812P1F03	—	—	—	9GV0812P1F03	80 × 80 × 38 mm	Yes	✓	✓	✓	135
9GV0812P1F031	—	—	—	9GV0812P1F031	80 × 80 × 38 mm	No	✓	✓	✓	135
9GV0812P1G03	9GV0812G102	9GV0812G101	—	9GV0812P1G03	80 × 80 × 38 mm	Yes	✓	✓	✓	135

Please contact your point of sale regarding low-speed sensors.

Models listed in the main section of this catalog	List of models (models not listed in the main section of this catalog are options. Standards for optional model numbers may differ from the certified standards listed at right. Contact us for details of models with "-" model numbers.)				Frame size	Rib	Standard (certification status is for the models listed in this catalog, and standards for optional model numbers may differ.)			page
	Without sensor	With pulse sensor	With lock sensor	With PWM control function and pulse sensor			UL (cUL)	CSA (cUL)	TÜV	
							✓	✓	✓	
9GV0812P1G031	9GV0812G1021	9GV0812G1011	—	9GV0812P1G031	80 × 80 × 38 mm	No	✓	✓	✓	135
9GV0812P1H03	9GV0812H102	9GV0812H101	—	9GV0812P1H03	80 × 80 × 38 mm	Yes	✓	✓	✓	135
9GV0812P1H031	9GV0812H1021	9GV0812H1011	—	9GV0812P1H031	80 × 80 × 38 mm	No	✓	✓	✓	135
9GV0812P1M03	—	—	—	9GV0812P1M03	80 × 80 × 38 mm	Yes	✓	✓	✓	135
9GV0812P1M031	—	—	—	9GV0812P1M031	80 × 80 × 38 mm	No	✓	✓	✓	135
9GV0812P4J03	9GV0812J402	9GV0812J401	—	9GV0812P4J03	80 × 80 × 25 mm	Yes	✓	✓	✓	114
9GV0812P4J031	9GV0812J4021	9GV0812J4011	—	9GV0812P4J031	80 × 80 × 25 mm	No	✓	✓	✓	114
9GV0812P4K03	—	9GV0812K401	9GV0812K4D01	9GV0812P4K03	80 × 80 × 25 mm	Yes	✓	✓	✓	114
9GV0812P4K031	9GV0812K4021	9GV0812K4011	9GV0812K4D011	9GV0812P4K031	80 × 80 × 25 mm	No	✓	✓	✓	114
9GV0824P1G03	9GV0824G102	9GV0824G101	—	9GV0824P1G03	80 × 80 × 38 mm	Yes	✓	✓	✓	135
9GV0824P1G031	—	—	—	9GV0824P1G031	80 × 80 × 38 mm	No	✓	✓	✓	135
9GV0824P4K01	9GV0824K402	9GV0824K401	—	9GV0824P4K01	80 × 80 × 25 mm	Yes	✓	✓	✓	114
9GV0824P4K011	—	—	—	9GV0824P4K011	80 × 80 × 25 mm	No	✓	✓	✓	114
9GV0848P1G03	9GV0848G102	9GV0848G101	—	9GV0848P1G03	80 × 80 × 38 mm	Yes	✓	✓	✓	135
9GV0848P1G031	—	9GV0848G1011	—	9GV0848P1G031	80 × 80 × 38 mm	No	✓	✓	✓	135
9GV0848P4K03	—	9GV0848K401	—	9GV0848P4K03	80 × 80 × 25 mm	Yes	✓	✓	✓	114
9GV0848P4K031	—	—	—	9GV0848P4K031	80 × 80 × 25 mm	No	✓	✓	✓	114
9GV0912P1F03	—	—	—	9GV0912P1F03	92 × 92 × 38 mm	Yes	✓	✓	✓	157
9GV0912P1F031	—	—	—	9GV0912P1F031	92 × 92 × 38 mm	No	✓	✓	✓	157
9GV0912P1G03	—	—	—	9GV0912P1G03	92 × 92 × 38 mm	Yes	✓	✓	✓	157
9GV0912P1G031	—	—	—	9GV0912P1G031	92 × 92 × 38 mm	No	✓	✓	✓	157
9GV0912P1H03	9GV0912H102	—	9GV0912H1D01	9GV0912P1H03	92 × 92 × 38 mm	Yes	✓	✓	✓	157
9GV0912P1H031	—	—	—	9GV0912P1H031	92 × 92 × 38 mm	No	✓	✓	✓	157
9GV0948P1F03	—	—	—	9GV0948P1F03	92 × 92 × 38 mm	Yes	✓	✓	✓	157
9GV0948P1F031	—	—	—	9GV0948P1F031	92 × 92 × 38 mm	No	✓	✓	✓	157
9GV0948P1H03	9GV0948H102	9GV0948H101	—	9GV0948P1H03	92 × 92 × 38 mm	Yes	✓	✓	✓	157
9GV0948P1H031	9GV0948H1021	—	—	9GV0948P1H031	92 × 92 × 38 mm	No	✓	✓	✓	157
9GV1212P1G01	—	—	—	9GV1212P1G01	120 × 120 × 38 mm	Yes	✓	✓	✓	179
9GV1212P1G011	—	9GV1212G1011	9GV1212G1D011	9GV1212P1G011	120 × 120 × 38 mm	No	✓	✓	✓	179
9GV1212P1J01	9GV1212J102	9GV1212J101	9GV1212J1D01	9GV1212P1J01	120 × 120 × 38 mm	Yes	✓	✓	✓	179
9GV1212P1J011	9GV1212J1021	9GV1212J1011	—	9GV1212P1J011	120 × 120 × 38 mm	No	✓	✓	✓	179
9GV1212P4G01	9GV1212G402	9GV1212G401	—	9GV1212P4G01	120 × 120 × 25 mm	Yes	✓	✓	✓	169
9GV1212P4G011	9GV1212G4021	9GV1212G4011	—	9GV1212P4G011	120 × 120 × 25 mm	No	✓	✓	✓	169
9GV1224P1H01	9GV1224H102	9GV1224H101	9GV1224H1D01	9GV1224P1H01	120 × 120 × 38 mm	Yes	✓	✓	✓	179
9GV1224P1H011	9GV1224H1021	9GV1224H1011	9GV1224H1D011	9GV1224P1H011	120 × 120 × 38 mm	No	✓	✓	✓	179
9GV1224P1J01	9GV1224J102	9GV1224J101	9GV1224J1D01	9GV1224P1J01	120 × 120 × 38 mm	Yes	✓	✓	✓	179
9GV1224P1J011	9GV1224J1021	9GV1224J1011	9GV1224J1D011	9GV1224P1J011	120 × 120 × 38 mm	No	✓	✓	✓	179
9GV1224P4G01	9GV1224G402	9GV1224G401	9GV1224G4D01	9GV1224P4G01	120 × 120 × 25 mm	Yes	✓	✓	✓	169
9GV1224P4G011	9GV1224G4021	—	—	9GV1224P4G011	120 × 120 × 25 mm	No	✓	✓	✓	169
9GV1248P1J01	9GV1248J102	9GV1248J101	9GV1248J1D01	9GV1248P1J01	120 × 120 × 38 mm	Yes	✓	✓	✓	179
9GV1248P1J011	9GV1248J1021	9GV1248J1011	—	9GV1248P1J011	120 × 120 × 38 mm	No	✓	✓	✓	179
9GV1248P4G01	9GV1248G402	9GV1248G401	—	9GV1248P4G01	120 × 120 × 25 mm	Yes	✓	✓	✓	169
9GV1248P4G011	—	9GV1248G4011	—	9GV1248P4G011	120 × 120 × 25 mm	No	✓	✓	✓	169
9GV1248P4H01	9GV1248H402	9GV1248H401	9GV1248H4D01	9GV1248P4H01	120 × 120 × 25 mm	Yes	✓	✓	✓	169
9GV1248P4H011	—	—	—	9GV1248P4H011	120 × 120 × 25 mm	No	✓	✓	✓	169
9GV1248P4J01	—	—	—	9GV1248P4J01	120 × 120 × 25 mm	Yes	✓	✓	✓	169
9GV1248P4J011	—	—	—	9GV1248P4J011	120 × 120 × 25 mm	No	✓	✓	✓	169
9GV1412P1G001	—	—	—	9GV1412P1G001	140 × 140 × 38 mm	No	✓	✓	✓	192
9GV1412P1H001	—	—	—	9GV1412P1H001	140 × 140 × 38 mm	No	✓	✓	✓	192
9GV1412P1S001	—	—	—	9GV1412P1S001	140 × 140 × 38 mm	No	✓	✓	✓	192
9GV1424P1G001	—	—	—	9GV1424P1G001	140 × 140 × 38 mm	No	✓	✓	✓	192
9GV1424P1H001	—	—	—	9GV1424P1H001	140 × 140 × 38 mm	No	✓	✓	✓	192
9GV1424P1S001	—	—	—	9GV1424P1S001	140 × 140 × 38 mm	No	✓	✓	✓	192
9GV1448P1G001	—	—	—	9GV1448P1G001	140 × 140 × 38 mm	No	✓	✓	✓	192
9GV1448P1H001	—	—	—	9GV1448P1H001	140 × 140 × 38 mm	No	✓	✓	✓	192
9GV1448P1S001	—	—	—	9GV1448P1S001	140 × 140 × 38 mm	No	✓	✓	✓	192
9GV1512H501	9GV1512H502	9GV1512H501	—	9GV1512P5H03	150 × 150 × 50 mm	Yes	✓	✓	✓	198
9GV1512H5011	9GV1512H5021	9GV1512H5011	—	—	150 × 150 × 50 mm	No	✓	✓	✓	198
9GV1512M501	9GV1512M502	9GV1512M501	—	9GV1512P5M03	150 × 150 × 50 mm	Yes	✓	✓	✓	198
9GV1512M5011	9GV1512M5021	9GV1512M5011	—	9GV1512P5M011	150 × 150 × 50 mm	No	✓	✓	✓	198
9GV1524M501	9GV1524M502	9GV1524M501	9GV1524M5D01	—	150 × 150 × 50 mm	Yes	✓	✓	✓	198

Please contact your point of sale regarding low-speed sensors.

Models listed in the main section of this catalog	List of models (models not listed in the main section of this catalog are options. Standards for optional model numbers may differ from the certified standards listed at right. Contact us for details of models with "-" model numbers.)				Frame size	Rib	Standard (certification status is for the models listed in this catalog, and standards for optional model numbers may differ.)			page
	Without sensor	With pulse sensor	With lock sensor	With PWM control function and pulse sensor			UL (cUL)	CSA (cUL)	TÜV	
							✓	✓	✓	
9GV1524M5011	—	9GV1524M5011	—	—	150 × 150 × 50 mm	No	✓	✓	✓	198
9GV2048P0G201	9GV2048G0202	—	—	9GV2048P0G201	∅200 × 70 mm	No	✓	✓	✓	216
9GV3612G301	9GV3612G302	9GV3612G301	9GV3612G3D01	9GV3612P3G03	36 × 36 × 28 mm	Yes	✓	✓	✓	12
9GV3612J301	9GV3612J302	9GV3612J301	9GV3612J3D01	9GV3612P3J03	36 × 36 × 28 mm	Yes	✓	✓	✓	12
9GV5724H501	9GV5724H502	9GV5724H501	—	9GV5724P5H03	∅172 × 150 × 51 mm	No	✓	✓	✓	208
9GV5748H501	9GV5748H502	9GV5748H501	—	9GV5748P5H01	∅172 × 150 × 51 mm	No	✓	✓	✓	208
9GX3612P3K001	9GX3612K3002	—	—	9GX3612P3K001	36 × 36 × 28 mm	Yes	✓	✓	✓	12
9HV0412P3K001	—	—	—	9HV0412P3K001	40 × 40 × 28 mm	No	✓	✓	✓	33
9HV0612P1J001	—	—	—	9HV0612P1J001	60 × 60 × 38 mm	Yes	✓	✓	✓	83
9HV0612P1J0011	—	—	—	9HV0612P1J0011	60 × 60 × 38 mm	No	✓	✓	✓	83
9HV0812P1G601	9HV0812G1002	9HV0812G1001	—	9HV0812P1G601	80 × 80 × 38 mm	Yes	✓	✓	✓	128
9HV0812P1G6011	9HV0812G10021	9HV0812G10011	—	9HV0812P1G6011	80 × 80 × 38 mm	No	✓	✓	✓	128
9HV0824P1G003	—	—	9HV0824G1D001	9HV0824P1G003	80 × 80 × 38 mm	Yes	✓	✓	✓	128
9HV0824P1G0011	—	—	—	9HV0824P1G0011	80 × 80 × 38 mm	No	✓	✓	✓	128
9HV0848P1G001	9HV0848G1002	9HV0848G1001	9HV0848G1D001	9HV0848P1G001	80 × 80 × 38 mm	Yes	✓	✓	✓	128
9HV0848P1G0011	9HV0848G10021	9HV0848G10011	—	9HV0848P1G0011	80 × 80 × 38 mm	No	✓	✓	✓	128
9HV0912P1G001	—	—	—	9HV0912P1G001	92 × 92 × 38 mm	Yes	✓	✓	✓	155
9HV0912P1G0011	—	—	—	9HV0912P1G0011	92 × 92 × 38 mm	No	✓	✓	✓	155
9HV0948P1G001	—	—	—	9HV0948P1G001	92 × 92 × 38 mm	Yes	✓	✓	✓	155
9HV0948P1G0011	—	—	—	9HV0948P1G0011	92 × 92 × 38 mm	No	✓	✓	✓	155
9HV1224P1A001	—	—	—	9HV1224P1A001	120 × 120 × 38 mm	No	✓	✓	✓	176
9HV1248P1G001	9HV1248G1002	9HV1248G1001	—	9HV1248P1G001	120 × 120 × 38 mm	No	✓	✓	✓	176
9HV1248P1H001	9HV1248H1002	9HV1248H1001	—	9HV1248P1H001	120 × 120 × 38 mm	No	✓	✓	✓	176
9HV5724P5H001	9HV5724H5002	9HV5724H5001	9HV5724H5D001	9HV5724P5H001	∅172 × 150 × 51 mm	No	✓	✓	✓	203
9HV5748P5G001	—	—	—	9HV5748P5G001	∅172 × 150 × 51 mm	No	✓	✓	✓	203
9HVA0812P1G001	—	—	—	9HVA0812P1G001	80 × 80 × 38 mm	Yes	✓	✓	✓	126
9HVA0812P1G0011	—	—	—	9HVA0812P1G0011	80 × 80 × 38 mm	No	✓	✓	✓	126
9L0412H301	9L0412H302	9L0412H301	9L0412H3D01	—	40 × 40 × 28 mm	No	✓	✓	✓	354
9L0412J301	9L0412J302	9L0412J301	9L0412J3D01	9L0412P3J01	40 × 40 × 28 mm	No	✓	✓	✓	354
9L0412M301	9L0412M302	9L0412M301	9L0412M3D01	—	40 × 40 × 28 mm	No	✓	✓	✓	354
9LG0612P4H001	9LG0612H4002	9LG0612H4001	9LG0612H4D001	9LG0612P4H001	60 × 60 × 25 mm	No	✓	✓	✓	356
9LG0612P4J001	—	—	9LG0612J4D001	9LG0612P4J001	60 × 60 × 25 mm	No	✓	✓	✓	356
9LG0612P4M001	—	9LG0624M4001	9LG0612M4D001	9LG0612P4M001	60 × 60 × 25 mm	No	✓	✓	✓	356
9LG0612P4S001	—	9LG0612S4001	—	9LG0612P4S001	60 × 60 × 25 mm	No	✓	✓	✓	356
9LG0624P4H001	—	—	—	9LG0624P4H001	60 × 60 × 25 mm	No	✓	✓	✓	356
9LG0624P4J001	—	—	—	9LG0624P4J001	60 × 60 × 25 mm	No	✓	✓	✓	356
9LG0624P4M001	—	9LG0624M4001	—	9LG0624P4M001	60 × 60 × 25 mm	No	✓	✓	✓	356
9LG0624P4S001	—	—	—	9LG0624P4S001	60 × 60 × 25 mm	No	✓	✓	✓	356
9LG0648P4H001	—	—	—	9LG0648P4H001	60 × 60 × 25 mm	No	✓	✓	✓	356
9LG0648P4J001	—	—	—	9LG0648P4J001	60 × 60 × 25 mm	No	✓	✓	✓	356
9LG0648P4M001	—	—	—	9LG0648P4M001	60 × 60 × 25 mm	No	✓	✓	✓	356
9LG0648P4S001	—	—	—	9LG0648P4S001	60 × 60 × 25 mm	No	✓	✓	✓	356
9LG0812P4G001	—	—	—	9LG0812P4G001	80 × 80 × 25 mm	No	✓	✓	✓	363
9LG0812P4H001	—	—	—	9LG0812P4H001	80 × 80 × 25 mm	No	✓	✓	✓	363
9LG0812P4J001	9LG0812J4002	—	9LG0812J4D001	9LG0812P4J001	80 × 80 × 25 mm	No	✓	✓	✓	363
9LG0824P4G001	9LG0824G4002	—	9LG0824G4D001	9LG0824P4G001	80 × 80 × 25 mm	No	✓	✓	✓	363
9LG0824P4H001	—	—	—	9LG0824P4H001	80 × 80 × 25 mm	No	✓	✓	✓	363
9LG0824P4J001	—	—	9LG0824J4D001	9LG0824P4J001	80 × 80 × 25 mm	No	✓	✓	✓	363
9LG0912P1F001	—	—	—	9LG0912P1F001	92 × 92 × 38 mm	No	✓	✓	✓	372
9LG0912P1H001	—	—	—	9LG0912P1H001	92 × 92 × 38 mm	No	✓	✓	✓	372
9LG0912P4G001	9LG0912G4002	—	—	9LG0912P4G001	92 × 92 × 25 mm	No	✓	✓	✓	368
9LG0912P4H001	—	—	—	9LG0912P4H001	92 × 92 × 25 mm	No	✓	✓	✓	368
9LG0912P4J001	—	—	—	9LG0912P4J001	92 × 92 × 25 mm	No	✓	✓	✓	368
9LG0912P4S001	—	—	—	9LG0912P4S001	92 × 92 × 25 mm	No	✓	✓	✓	368
9LG0924P1F001	—	—	—	9LG0924P1F001	92 × 92 × 38 mm	No	✓	✓	✓	372
9LG0924P1H001	—	—	—	9LG0924P1H001	92 × 92 × 38 mm	No	✓	✓	✓	372
9LG0924P4G001	—	—	—	9LG0924P4G001	92 × 92 × 25 mm	No	✓	✓	✓	368
9LG0924P4H001	—	—	—	9LG0924P4H001	92 × 92 × 25 mm	No	✓	✓	✓	368
9LG0924P4J001	—	—	9LG0924J4D001	9LG0924P4J001	92 × 92 × 25 mm	No	✓	✓	✓	368
9LG0924P4S001	—	—	9LG0924S4D001	9LG0924P4S001	92 × 92 × 25 mm	No	✓	✓	✓	368
9LG1212P1G001	—	—	—	9LG1212P1G001	120 × 120 × 38 mm	No	✓	✓	✓	375

Please contact your point of sale regarding low-speed sensors.

Models listed in the main section of this catalog	List of models (models not listed in the main section of this catalog are options. Standards for optional model numbers may differ from the certified standards listed at right. Contact us for details of models with "-" model numbers.)				Frame size	Rib	Standard (certification status is for the models listed in this catalog, and standards for optional model numbers may differ.)			page
	Without sensor	With pulse sensor	With lock sensor	With PWM control function and pulse sensor			UL (cUL)	CSA (cUL)	TÜV	
							✓	✓	✓	
9LG1212P1H001	—	—	—	9LG1212P1H001	120 × 120 × 38 mm	No	✓	✓	✓	375
9LG1212P1S001	—	—	—	9LG1212P1S001	120 × 120 × 38 mm	No	✓	✓	✓	375
9LG1224P1G001	—	—	9LG1224G1D001	9LG1224P1G001	120 × 120 × 38 mm	No	✓	✓	✓	375
9LG1224P1H001	—	9LG1224H1001	9LG1224H1D001	9LG1224P1H001	120 × 120 × 38 mm	No	✓	✓	✓	375
9LG1224P1S001	—	9LG1224S1001	9LG1224S1D001	9LG1224P1S001	120 × 120 × 38 mm	No	✓	✓	✓	375
9LG1248P1G001	9LG1248G1002	—	—	9LG1248P1G001	120 × 120 × 38 mm	No	✓	✓	✓	375
9LG1248P1H001	—	—	—	9LG1248P1H001	120 × 120 × 38 mm	No	✓	✓	✓	375
9LG1248P1S001	—	—	—	9LG1248P1S001	120 × 120 × 38 mm	No	✓	✓	✓	375
9LG1412P1A001	—	—	—	9LG1412P1A001	140 × 140 × 38 mm	No	—	—	—	382
9LG1412P1H001	—	—	—	9LG1412P1H001	140 × 140 × 38 mm	No	—	—	—	382
9LG1412P1M001	9LG1412M1002	9LG1412M1001	9LG1412M1D001	9LG1412P1M001	140 × 140 × 38 mm	No	—	—	—	382
9LG1412P5G001	—	—	—	9LG1412P5G001	140 × 140 × 51 mm	No	—	—	—	386
9LG1412P5S001	—	—	—	9LG1412P5S001	140 × 140 × 51 mm	No	—	—	—	386
9LG1424P1A001	—	—	—	9LG1424P1A001	140 × 140 × 38 mm	No	—	—	—	382
9LG1424P1H001	—	—	—	9LG1424P1H001	140 × 140 × 38 mm	No	—	—	—	382
9LG1424P1M001	9LG1424M1002	9LG1424M1001	9LG1424M1D001	9LG1424P1M001	140 × 140 × 38 mm	No	—	—	—	382
9LG1424P5G001	—	—	—	9LG1424P5G001	140 × 140 × 51 mm	No	—	—	—	386
9LG1424P5S001	9LG1424S5002	9LG1424S5001	9LG1424S5D001	9LG1424P5S001	140 × 140 × 51 mm	No	—	—	—	386
9LG1448P1A001	—	—	—	9LG1448P1A001	140 × 140 × 38 mm	No	—	—	—	382
9LG1448P1H001	—	—	—	9LG1448P1H001	140 × 140 × 38 mm	No	—	—	—	382
9LG1448P1M001	9LG1448M1002	9LG1448M1001	9LG1448M1D001	9LG1448P1M001	140 × 140 × 38 mm	No	—	—	—	382
9LG1448P5G001	—	—	—	9LG1448P5G001	140 × 140 × 51 mm	No	—	—	—	386
9LG1448P5S001	—	—	—	9LG1448P5S001	140 × 140 × 51 mm	No	—	—	—	386
9RF0912P1H001	—	—	—	9RF0912P1H001	∅92 × 38 mm	No	✓	✓	✓	260
9RF0924P1H001	—	—	—	9RF0924P1H001	∅92 × 38 mm	No	✓	✓	✓	260
9RF1312P3H001	—	—	—	9RF1312P3H001	∅136 × 28 mm	No	✓	✓	✓	262
9RF1324P3H001	—	—	—	9RF1324P3H001	∅136 × 28 mm	No	✓	✓	✓	262
9S0612F401	9S0612F402	9S0612F401	9S0612F4D01	9S0612P4F01	60 × 60 × 25 mm	Yes	✓	✓	✓	71
9S0612F4011	9S0612F4021	9S0612F4011	9S0612F4D011	9S0612P4F011	60 × 60 × 25 mm	No	✓	✓	✓	71
9S0612H401	9S0612H402	9S0612H401	9S0612H4D01	9S0612P4H01	60 × 60 × 25 mm	Yes	✓	✓	✓	71
9S0612H4011	9S0612H4021	9S0612H4011	9S0612H4D011	9S0612P4H011	60 × 60 × 25 mm	No	✓	✓	✓	71
9S0612M401	9S0612M402	9S0612M401	9S0612M4D01	9S0612P4M01	60 × 60 × 25 mm	Yes	✓	✓	✓	71
9S0612M4011	9S0612M4021	9S0612M4011	9S0612M4D011	—	60 × 60 × 25 mm	No	✓	✓	✓	71
9S0612S401	9S0612S402	9S0612S401	9S0612S4D01	9S0612P4S01	60 × 60 × 25 mm	Yes	✓	✓	✓	71
9S0612S4011	—	9S0612S4011	—	—	60 × 60 × 25 mm	No	✓	✓	✓	71
9S0812F401	9S0812F402	9S0812F401	9S0812F4D01	9S0812P4F01	80 × 80 × 25 mm	Yes	✓	✓	✓	112
9S0812F4011	9S0812F4021	9S0812F4011	9S0812F4D011	9S0812P4F011	80 × 80 × 25 mm	No	✓	✓	✓	112
9S0812H401	9S0812H402	9S0812H401	9S0812H4D01	—	80 × 80 × 25 mm	Yes	✓	✓	—	112
9S0812H4011	—	9S0812H4011	9S0812H4D011	—	80 × 80 × 25 mm	No	✓	✓	—	112
9S0812L401	9S0812L402	9S0812L401	9S0812L4D01	—	80 × 80 × 25 mm	Yes	✓	✓	✓	112
9S0812L4011	9S0812L4021	9S0812L4011	9S0812L4D011	—	80 × 80 × 25 mm	No	✓	✓	✓	112
9S0812M401	9S0812M402	9S0812M401	9S0812M4D01	9S0812P4M01	80 × 80 × 25 mm	Yes	✓	✓	✓	112
9S0812M4011	9S0812M4021	9S0812M4011	9S0812M4D011	9S0812P4M011	80 × 80 × 25 mm	No	✓	✓	✓	112
9S0824L401	9S0824L402	9S0824L401	9S0824L4D01	—	80 × 80 × 25 mm	Yes	✓	✓	✓	112
9S0824L4011	9S0824L4021	9S0824L4011	9S0824L4D011	—	80 × 80 × 25 mm	No	✓	✓	✓	112
9S0824M401	9S0824M402	9S0824M401	9S0824M4D01	—	80 × 80 × 25 mm	Yes	✓	✓	✓	112
9S0824M4011	9S0824M4021	9S0824M4011	9S0824M4D011	—	80 × 80 × 25 mm	No	✓	✓	✓	112
9S0912F401	9S0912F402	9S0912F401	9S0912F4D01	9S0912P4F01	92 × 92 × 25 mm	Yes	✓	✓	✓	144
9S0912F4011	9S0912F4021	9S0912F4011	9S0912F4D011	9S0912P4F011	92 × 92 × 25 mm	No	✓	✓	✓	144
9S0912L401	9S0912L402	9S0912L401	9S0912L4D01	—	92 × 92 × 25 mm	Yes	✓	✓	✓	144
9S0912L4011	9S0912L4021	9S0912L4011	9S0912L4D011	—	92 × 92 × 25 mm	No	✓	✓	✓	144
9S0912M401	9S0912M402	9S0912M401	9S0912M4D01	9S0912P4M01	92 × 92 × 25 mm	Yes	✓	✓	✓	144
9S0912M4011	9S0912M4021	9S0912M4011	9S0912M4D011	9S0912P4M011	92 × 92 × 25 mm	No	✓	✓	✓	144
9S0924F401	9S0924F402	9S0924F401	9S0924F4D01	—	92 × 92 × 25 mm	Yes	✓	✓	✓	144
9S0924F4011	9S0924F4021	9S0924F4011	—	—	92 × 92 × 25 mm	No	✓	✓	✓	144
9S0924L401	9S0924L402	9S0924L401	9S0924L4D01	—	92 × 92 × 25 mm	Yes	✓	✓	✓	144
9S0924L4011	9S0924L4021	9S0924L4011	—	—	92 × 92 × 25 mm	No	✓	✓	✓	144
9S0924M401	9S0924M402	9S0924M401	9S0924M4D01	—	92 × 92 × 25 mm	Yes	✓	✓	✓	144
9S0924M4011	9S0924M4021	9S0924M4011	—	—	92 × 92 × 25 mm	No	✓	✓	✓	144
9S1212F401	9S1212F402	9S1212F401	9S1212F4D01	9S1212P4F01	120 × 120 × 25 mm	Yes	✓	✓	✓	163
9S1212F4011	9S1212F4021	9S1212F4011	9S1212F4D011	9S1212P4F011	120 × 120 × 25 mm	No	✓	✓	✓	163

Please contact your point of sale regarding low-speed sensors.

Models listed in the main section of this catalog	List of models (models not listed in the main section of this catalog are options. Standards for optional model numbers may differ from the certified standards listed at right. Contact us for details of models with "-" model numbers.)				Frame size	Rib	Standard (certification status is for the models listed in this catalog, and standards for optional model numbers may differ.)			page
	Without sensor	With pulse sensor	With lock sensor	With PWM control function and pulse sensor			UL (cUL)	CSA (cUL)	TÜV	
							✓	✓	✓	
9S1212H401	9S1212H402	9S1212H401	9S1212H4D01	9S1212P4H01	120 × 120 × 25 mm	Yes	✓	✓	✓	163
9S1212H4011	9S1212H4021	9S1212H4011	—	9S1212P4H011	120 × 120 × 25 mm	No	✓	✓	✓	163
9S1212L401	9S1212L402	9S1212L401	9S1212L4D01	—	120 × 120 × 25 mm	Yes	✓	✓	✓	163
9S1212L4011	9S1212L4021	9S1212L4011	9S1212L4D011	9S1212P4L011	120 × 120 × 25 mm	No	✓	✓	✓	163
9S1212M401	9S1212M402	9S1212M401	9S1212M4D01	9S1212P4M01	120 × 120 × 25 mm	Yes	✓	✓	✓	163
9S1212M4011	9S1212M4021	9S1212M4011	9S1212M4D011	9S1212P4M011	120 × 120 × 25 mm	No	✓	✓	✓	163
9S1224M401	9S1224M402	9S1224M401	9S1224M4D01	—	120 × 120 × 25 mm	Yes	✓	✓	✓	163
9S1224M4011	9S1224M4021	9S1224M4011	9S1224M4D011	—	120 × 120 × 25 mm	No	✓	✓	✓	163
9SG1212G101	9SG1212G102	9SG1212G101	9SG1212G1D01	9SG1212P1G01	120 × 120 × 38 mm	No	✓	✓	✓	185
9SG1224G101	9SG1224G102	9SG1224G101	9SG1224G1D01	9SG1224P1G01	120 × 120 × 38 mm	No	✓	✓	✓	185
9SG1224H101	9SG1224H102	9SG1224H101	9SG1224H1D01	—	120 × 120 × 38 mm	No	—	—	—	185
9SG1248G101	9SG1248G102	9SG1248G101	—	9SG1248P1G01	120 × 120 × 38 mm	No	✓	✓	✓	185
9SG5724P5H61	9SG5724H562	—	—	9SG5724P5H61	∅172 × 150 × 51 mm	No	✓	✓	✓	205
9SG5748P5G01	—	—	—	9SG5748P5G01	∅172 × 150 × 51 mm	No	✓	✓	✓	205
9SG5748P5H01	—	—	—	9SG5748P5H01	∅172 × 150 × 51 mm	No	✓	✓	✓	205
9TG24P0G01	9TG24G002	9TG24G001	—	9TG24P0G01	∅175 × 69 mm	—	✓	✓	✓	422
9TG24P0S01	9TG24S002	9TG24S001	—	9TG24P0S01	∅175 × 69 mm	—	✓	✓	✓	422
9TG48P0G01	—	—	—	9TG48P0G01	∅175 × 69 mm	—	✓	✓	✓	422
9TGA24P0H001	—	—	—	9TGA24P0H001	∅175 × 69 mm	—	✓	✓	✓	420
9TGA48P0G001	—	—	—	9TGA48P0G001	∅175 × 69 mm	—	✓	✓	✓	420
9TJ24P0H61	—	—	—	9TJ24P0H61	∅133 × 91 mm	—	✓	✓	✓	416
9TJ48P0H01	—	—	—	9TJ48P0H01	∅133 × 91 mm	—	✓	✓	✓	416
9TM24P4H01	—	—	—	9TM24P4H01	∅100 × 25 mm	—	✓	✓	✓	414
9TM48P4H01	—	—	—	9TM48P4H01	∅100 × 25 mm	—	✓	✓	✓	414
9TN24P1H01	—	—	—	9TN24P1H01	∅150 × 35 mm	—	✓	✓	✓	418
9TN48P1H01	—	—	—	9TN48P1H01	∅150 × 35 mm	—	✓	✓	✓	418
9TP24P0H001	—	—	—	9TP24P0H001	∅221 × 71 mm	—	✓	✓	✓	425
9TP48P0G001	9TP48G0002	—	—	9TP48P0G001	∅221 × 71 mm	—	✓	✓	✓	425
9TP48P0H001	—	—	—	9TP48P0H001	∅221 × 71 mm	—	✓	✓	✓	425
9TS48P0G001	—	—	—	9TS48P0G001	∅225 × 99 mm	—	✓	✓	✓	428
9TS48P0H001	—	—	—	9TS48P0H001	∅225 × 99 mm	—	✓	✓	✓	428
9W1TG48P0H61	—	—	—	9W1TG48P0H61	∅175 × 69 mm	—	✓	✓	✓	326
9W1TJ24P0H61	—	—	—	9W1TJ24P0H61	∅133 × 91 mm	—	✓	✓	✓	322
9W1TJ48P0H61	—	—	—	9W1TJ48P0H61	∅133 × 91 mm	—	✓	✓	✓	322
9W1TM48P4G01	—	—	—	9W1TM48P4G01	∅100 × 25 mm	—	✓	✓	✓	320
9W1TM48P4H01	—	—	—	9W1TM48P4H01	∅100 × 25 mm	—	✓	✓	✓	320
9W1TN48P1H01	—	—	—	9W1TN48P1H01	∅150 × 35 mm	—	✓	✓	✓	324
9W2TP24P0H001	—	—	—	9W2TP24P0H001	∅221 × 71 mm	—	✓	✓	✓	328
9W2TP48P0S001	—	—	—	9W2TP48P0S001	∅221 × 71 mm	—	✓	✓	✓	328
9W2TS48P0S001	—	—	—	9W2TS48P0S001	∅225 × 99 mm	—	✓	✓	✓	330
9WE1724K501	9WE1724K502	9WE1724K501	—	—	∅172 × 51 mm	No	✓	✓	✓	317
9WE5724K501	9WE5724K502	9WE5724K501	—	—	∅172 × 150 × 51 mm	No	✓	✓	✓	315
9WE5748K501	9WE5748K502	9WE5748K501	9WE5748K5D01	9WE5748P5K01	∅172 × 150 × 51 mm	No	✓	✓	✓	315
9WF0424F601	9WF0424F602	9WF0424F601	9WF0424F6D01	—	40 × 40 × 20 mm	Yes	✓	✓	✓	336
9WF0424H601	9WF0424H602	9WF0424H601	9WF0424H6D01	—	40 × 40 × 20 mm	Yes	✓	✓	✓	336
9WF0424H701	9WF0424H702	9WF0424H701	9WF0424H7D01	—	40 × 40 × 15 mm	Yes	✓	✓	✓	334
9WF0624H401	9WF0624H402	9WF0624H401	9WF0624H4D01	—	60 × 60 × 25 mm	Yes	✓	✓	✓	342
9WF0624H601	—	9WF0624H601	9WF0624H6D01	—	60 × 60 × 20 mm	Yes	✓	✓	✓	340
9WF0624H701	9WF0624H702	9WF0624H701	9WF0624H7D01	—	60 × 60 × 15 mm	Yes	✓	✓	✓	338
9WF0824S401	9WF0824S402	9WF0824S401	9WF0824S4D01	—	80 × 80 × 25 mm	Yes	✓	✓	✓	344
9WF0924H201	9WF0924H202	9WF0924H201	9WF0924H2D01	—	92 × 92 × 32 mm	Yes	✓	✓	✓	348
9WF0924H2011	—	9WF0924H2011	—	—	92 × 92 × 32 mm	No	✓	✓	✓	348
9WF0924H401	9WF0924H402	9WF0924H401	9WF0924H4D01	—	92 × 92 × 25 mm	Yes	✓	✓	✓	346
9WF0924H4011	—	—	9WF0924H4D011	—	92 × 92 × 25 mm	No	✓	✓	✓	346
9WF0924S201	9WF0924S202	9WF0924S201	9WF0924S2D01	—	92 × 92 × 32 mm	Yes	✓	✓	✓	348
9WF0924S2011	—	9WF0924S2011	—	—	92 × 92 × 32 mm	No	✓	✓	✓	348
9WF1224H101	9WF1224H102	9WF1224H101	9WF1224H1D01	—	120 × 120 × 38 mm	Yes	✓	✓	✓	350
9WG1212E101-E	9WG1212E102-E	9WG1212E101-E	9WG1212E1D01-E	—	120 × 120 × 38 mm	No	✓	✓	✓	303
9WG1212F101-E	9WG1212F102-E	9WG1212F101-E	—	—	120 × 120 × 38 mm	No	✓	✓	✓	303
9WG1212G101-E	9WG1212G102-E	9WG1212G101-E	9WG1212G1D01-E	—	120 × 120 × 38 mm	No	✓	✓	✓	303
9WG1212H101-E	9WG1212H102-E	9WG1212H101-E	9WG1212H1D01-E	—	120 × 120 × 38 mm	No	✓	✓	✓	303

Please contact your point of sale regarding low-speed sensors.

Models listed in the main section of this catalog	List of models (models not listed in the main section of this catalog are options. Standards for optional model numbers may differ from the certified standards listed at right. Contact us for details of models with "-" model numbers.)				Frame size	Rib	Standard (certification status is for the models listed in this catalog, and standards for optional model numbers may differ.)			page
	Without sensor	With pulse sensor	With lock sensor	With PWM control function and pulse sensor			UL (cUL)	CSA (cUL)	TÜV	
							✓	✓	✓	
9WG1212M101-E	9WG1212M102-E	9WG1212M101-E	—	—	120 × 120 × 38 mm	No	✓	✓	✓	303
9WG1224E101-E	9WG1224E102-E	9WG1224E101-E	9WG1224E1D01-E	—	120 × 120 × 38 mm	No	✓	✓	✓	303
9WG1224F101-E	9WG1224F102-E	9WG1224F101-E	9WG1224F1D01-E	—	120 × 120 × 38 mm	No	✓	✓	✓	303
9WG1224G101-E	9WG1224G102-E	9WG1224G101-E	9WG1224G1D01-E	—	120 × 120 × 38 mm	No	✓	✓	✓	303
9WG1224H101-E	9WG1224H102-E	9WG1224H101-E	9WG1224H1D01-E	—	120 × 120 × 38 mm	No	✓	✓	✓	303
9WG1224M101-E	9WG1224M102-E	9WG1224M101-E	—	—	120 × 120 × 38 mm	No	✓	✓	✓	303
9WG1248E101-E	9WG1248E102-E	9WG1248E101-E	—	—	120 × 120 × 38 mm	No	✓	✓	✓	303
9WG1248F101-E	9WG1248F102-E	9WG1248F101-E	—	—	120 × 120 × 38 mm	No	✓	✓	✓	303
9WG1248G101-E	9WG1248G102-E	9WG1248G101-E	—	—	120 × 120 × 38 mm	No	✓	✓	✓	303
9WG1248H101-E	9WG1248H102-E	9WG1248H101-E	9WG1248H1D01-E	—	120 × 120 × 38 mm	No	✓	✓	✓	303
9WG1248M101-E	9WG1248M102-E	9WG1248M101-E	—	—	120 × 120 × 38 mm	No	✓	✓	✓	303
9WG5748P5G001	9WG5748G5002	—	—	9WG5748P5G001	∅172 × 150 × 51 mm	No	✓	✓	✓	313
9WG5748P5H001	—	9WG5748H5001	9WG5748H5D001	9WG5748P5H001	∅172 × 150 × 51 mm	No	✓	✓	✓	313
9WL0412P3G001	9WL0412G3002	9WL0412G3001	—	9WL0412P3G001	40 × 40 × 28 mm	No	✓	✓	✓	268
9WL0412P3J001	9WL0412J3002	9WL0412J3001	—	9WL0412P3J001	40 × 40 × 28 mm	No	✓	✓	✓	268
9WL0424P3G001	9WL0424G3002	9WL0424G3001	—	9WL0424P3G001	40 × 40 × 28 mm	No	✓	✓	✓	268
9WL0424P3J001	9WL0424J3002	9WL0424J3001	—	9WL0424P3J001	40 × 40 × 28 mm	No	✓	✓	✓	268
9WL0612P4H001	—	—	—	9WL0612P4H001	60 × 60 × 25 mm	No	✓	✓	✓	271
9WL0612P4J001	9WL0612J4002	—	9WL0612J4D001	9WL0612P4J001	60 × 60 × 25 mm	No	✓	✓	✓	271
9WL0612P4S001	9WL0612S4002	—	9WL0612S4D001	9WL0612P4S001	60 × 60 × 25 mm	No	✓	✓	✓	271
9WL0624P4H001	—	9WL0624H4001	—	9WL0624P4H001	60 × 60 × 25 mm	No	✓	✓	✓	271
9WL0624P4J001	—	—	—	9WL0624P4J001	60 × 60 × 25 mm	No	✓	✓	✓	271
9WL0624P4S001	—	—	—	9WL0624P4S001	60 × 60 × 25 mm	No	✓	✓	✓	271
9WL0812P4G001	—	—	9WL0812G4D001	9WL0812P4G001	80 × 80 × 25 mm	No	✓	✓	✓	277
9WL0812P4H001	9WL0812H4002	—	—	9WL0812P4H001	80 × 80 × 25 mm	No	✓	✓	✓	277
9WL0812P4J001	—	—	—	9WL0812P4J001	80 × 80 × 25 mm	No	✓	✓	✓	277
9WL0824P4G001	—	—	—	9WL0824P4G001	80 × 80 × 25 mm	No	✓	✓	✓	277
9WL0824P4H001	—	—	—	9WL0824P4H001	80 × 80 × 25 mm	No	✓	✓	✓	277
9WL0824P4J001	—	—	—	9WL0824P4J001	80 × 80 × 25 mm	No	✓	✓	✓	277
9WL0912P4G001	—	—	—	9WL0912P4G001	92 × 92 × 25 mm	No	✓	✓	✓	286
9WL0912P4H001	—	—	—	9WL0912P4H001	92 × 92 × 25 mm	No	✓	✓	✓	286
9WL0912P4J001	9WL0912J4002	—	—	9WL0912P4J001	92 × 92 × 25 mm	No	✓	✓	✓	286
9WL0912P4S001	—	—	—	9WL0912P4S001	92 × 92 × 25 mm	No	✓	✓	✓	286
9WL0924P4H001	—	—	—	9WL0924P4H001	92 × 92 × 25 mm	No	✓	✓	✓	286
9WL0924P4J001	—	—	—	9WL0924P4J001	92 × 92 × 25 mm	No	✓	✓	✓	286
9WL0924P4S001	—	—	—	9WL0924P4S001	92 × 92 × 25 mm	No	✓	✓	✓	286
9WL1412P1A001	—	—	—	9WL1412P1A001	140 × 140 × 38 mm	No	—	—	—	306
9WL1412P1H001	—	—	—	9WL1412P1H001	140 × 140 × 38 mm	No	—	—	—	306
9WL1412P1M001	9WL1412M1002	9WL1412M1001	9WL1412M1D001	9WL1412P1M001	140 × 140 × 38 mm	No	—	—	—	306
9WL1412P5G001	—	—	—	9WL1412P5G001	140 × 140 × 51 mm	No	—	—	—	310
9WL1412P5S001	—	—	—	9WL1412P5S001	140 × 140 × 51 mm	No	—	—	—	310
9WL1424P1A001	—	—	—	9WL1424P1A001	140 × 140 × 38 mm	No	—	—	—	306
9WL1424P1H001	—	—	—	9WL1424P1H001	140 × 140 × 38 mm	No	—	—	—	306
9WL1424P1M001	9WL1424M1002	9WL1424M1001	9WL1424M1D001	9WL1424P1M001	140 × 140 × 38 mm	No	—	—	—	306
9WL1424P5G001	—	—	—	9WL1424P5G001	140 × 140 × 51 mm	No	—	—	—	310
9WL1424P5S001	—	—	—	9WL1424P5S001	140 × 140 × 51 mm	No	—	—	—	310
9WL1448P1A001	—	—	—	9WL1448P1A001	140 × 140 × 38 mm	No	—	—	—	306
9WL1448P1H001	—	—	—	9WL1448P1H001	140 × 140 × 38 mm	No	—	—	—	306
9WL1448P1M001	9WL1448M1002	9WL1448M1001	9WL1448M1D001	9WL1448P1M001	140 × 140 × 38 mm	No	—	—	—	306
9WL1448P5G001	—	—	—	9WL1448P5G001	140 × 140 × 51 mm	No	—	—	—	310
9WL1448P5S001	—	—	—	9WL1448P5S001	140 × 140 × 51 mm	No	—	—	—	310
9WP0412F6001	9WP0412F6002	9WP0412F6001	9WP0412F6D001	—	40 × 40 × 20 mm	Yes	✓	✓	✓	266
9WP0412H6001	9WP0412H6002	9WP0412H6001	—	—	40 × 40 × 20 mm	Yes	✓	✓	✓	266
9WP0612D401	9WP0612D402	9WP0612D401	9WP0612D4D01	—	60 × 60 × 25 mm	Yes	✓	✓	✓	274
9WP0612D4011	—	9WP0612D4011	9WP0612D4D011	—	60 × 60 × 25 mm	No	✓	✓	✓	274
9WP0612G401	9WP0612G402	9WP0612G401	9WP0612G4D01	9WP0612P4G01	60 × 60 × 25 mm	Yes	✓	✓	✓	274
9WP0612G4011	9WP0612G4021	9WP0612G4011	—	—	60 × 60 × 25 mm	No	✓	✓	✓	274
9WP0612H401	9WP0612H402	9WP0612H401	9WP0612H4D01	—	60 × 60 × 25 mm	Yes	✓	✓	✓	274
9WP0612H4011	9WP0612H4021	9WP0612H4011	9WP0612H4D011	—	60 × 60 × 25 mm	No	✓	✓	✓	274
9WP0624G401	9WP0624G402	9WP0624G401	9WP0624G4D01	—	60 × 60 × 25 mm	Yes	✓	✓	✓	274
9WP0624G4011	—	9WP0624G4011	—	—	60 × 60 × 25 mm	No	✓	✓	✓	274

Please contact your point of sale regarding low-speed sensors.

Models listed in the main section of this catalog	List of models (models not listed in the main section of this catalog are options. Standards for optional model numbers may differ from the certified standards listed at right. Contact us for details of models with "-" model numbers.)				Frame size	Rib	Standard (certification status is for the models listed in this catalog, and standards for optional model numbers may differ.)			page
	Without sensor	With pulse sensor	With lock sensor	With PWM control function and pulse sensor			UL (cUL)	CSA (cUL)	TÜV	
							✓	✓	✓	
9WP0624H401	9WP0624H402	9WP0624H401	9WP0624H4D01	—	60 × 60 × 25 mm	Yes	✓	✓	✓	274
9WP0624H4011	9WP0624H4021	9WP0624H4011	9WP0624H4D011	—	60 × 60 × 25 mm	No	✓	✓	✓	274
9WP0624J401	9WP0624J402	9WP0624J401	—	—	60 × 60 × 25 mm	Yes	✓	✓	✓	274
9WP0624J4011	—	9WP0624J4011	—	—	60 × 60 × 25 mm	No	✓	✓	✓	274
9WP0648H401	9WP0648H402	9WP0648H401	9WP0648H4D01	—	60 × 60 × 25 mm	Yes	✓	✓	✓	274
9WP0648H4011	9WP0648H4021	9WP0648H4011	9WP0648H4D011	—	60 × 60 × 25 mm	No	✓	✓	✓	274
9WP0812G401	9WP0812G402	9WP0812G401	9WP0812G4D01	9WP0812P4G01	80 × 80 × 25 mm	Yes	✓	✓	✓	280
9WP0812G4011	9WP0812G4021	9WP0812G4011	9WP0812G4D011	—	80 × 80 × 25 mm	No	✓	✓	✓	280
9WP0812H401	9WP0812H402	9WP0812H401	9WP0812H4D01	—	80 × 80 × 25 mm	Yes	✓	✓	✓	280
9WP0812H4011	9WP0812H4021	9WP0812H4011	9WP0812H4D011	—	80 × 80 × 25 mm	No	✓	✓	✓	280
9WP0824H401	9WP0824H402	9WP0824H401	9WP0824H4D01	—	80 × 80 × 25 mm	Yes	✓	✓	✓	280
9WP0824H4011	9WP0824H4021	9WP0824H4011	9WP0824H4D011	—	80 × 80 × 25 mm	No	✓	✓	✓	280
9WP0824S401	9WP0824S402	9WP0824S401	9WP0824S4D01	—	80 × 80 × 25 mm	Yes	✓	✓	✓	280
9WP0824S4011	9WP0824S4021	9WP0824S4011	—	—	80 × 80 × 25 mm	No	✓	✓	✓	280
9WP0848S401	9WP0848S402	9WP0848S401	9WP0848S4D01	—	80 × 80 × 25 mm	Yes	✓	✓	✓	280
9WP0848S4011	9WP0848S4021	9WP0848S4011	9WP0848S4D011	—	80 × 80 × 25 mm	No	✓	✓	✓	280
9WP0912F401	9WP0912F402	9WP0912F401	9WP0912F4D01	—	92 × 92 × 25 mm	Yes	✓	✓	✓	293
9WP0912F4011	—	9WP0912F4011	9WP0912F4D011	—	92 × 92 × 25 mm	No	✓	✓	✓	293
9WP0912S401	9WP0912S402	9WP0912S401	9WP0912S4D01	—	92 × 92 × 25 mm	Yes	✓	✓	✓	293
9WP0912S4011	—	9WP0912S4011	—	—	92 × 92 × 25 mm	No	✓	✓	✓	293
9WP0924B401	9WP0924B402	9WP0924B401	9WP0924B4D01	—	92 × 92 × 25 mm	Yes	✓	✓	✓	293
9WP0924B4011	9WP0924B4021	9WP0924B4011	9WP0924B4D011	—	92 × 92 × 25 mm	No	✓	✓	✓	293
9WP0924F401	9WP0924F402	9WP0924F401	9WP0924F4D01	—	92 × 92 × 25 mm	Yes	✓	✓	✓	293
9WP0924F4011	9WP0924F4021	9WP0924F4011	9WP0924F4D011	—	92 × 92 × 25 mm	No	✓	✓	✓	293
9WP0924G401	9WP0924G402	9WP0924G401	9WP0924G4D01	—	92 × 92 × 25 mm	Yes	✓	✓	✓	293
9WP0924G4011	—	9WP0924G4011	—	—	92 × 92 × 25 mm	No	✓	✓	✓	293
9WP0924H401	9WP0924H402	9WP0924H401	9WP0924H4D01	—	92 × 92 × 25 mm	Yes	✓	✓	✓	293
9WP0924H4011	—	9WP0924H4011	—	—	92 × 92 × 25 mm	No	✓	✓	✓	293
9WP0924S401	9WP0924S402	9WP0924S401	9WP0924S4D01	—	92 × 92 × 25 mm	Yes	✓	✓	✓	293
9WP0924S4011	—	9WP0924S4011	—	—	92 × 92 × 25 mm	No	✓	✓	✓	293
9WP1212H101	9WP1212H102	9WP1212H101	9WP1212H1D01	—	120 × 120 × 38 mm	Yes	✓	✓	✓	301
9WP1212H1011	9WP1212H1021	9WP1212H1011	9WP1212H1D011	—	120 × 120 × 38 mm	No	✓	✓	✓	301
9WP1212L101	—	9WP1212L101	—	—	120 × 120 × 38 mm	Yes	✓	✓	✓	301
9WP1212L1011	—	9WP1212L1011	—	—	120 × 120 × 38 mm	No	✓	✓	✓	301
9WP1224H101	9WP1224H102	9WP1224H101	9WP1224H1D01	—	120 × 120 × 38 mm	Yes	✓	✓	✓	301
9WP1224H1011	9WP1224H1021	9WP1224H1011	9WP1224H1D011	—	120 × 120 × 38 mm	No	✓	✓	✓	301
9WP1248H101	9WP1248H102	9WP1248H101	9WP1248H1D01	—	120 × 120 × 38 mm	Yes	✓	✓	✓	301
9WP1248H1011	9WP1248H1021	9WP1248H1011	9WP1248H1D011	—	120 × 120 × 38 mm	No	✓	✓	✓	301
9WS0812F401	9WS0812F402	9WS0812F401	9WS0812F4D01	—	80 × 80 × 25 mm	Yes	✓	✓	✓	282
9WS0812F4011	9WS0812F4021	9WS0812F4011	—	—	80 × 80 × 25 mm	No	✓	✓	✓	282
9WS0812H401	9WS0812H402	9WS0812H401	—	—	80 × 80 × 25 mm	Yes	✓	✓	✓	282
9WS0812H4011	9WS0812H4021	9WS0812H4011	—	—	80 × 80 × 25 mm	No	✓	✓	✓	282
9WS0812M401	9WS0812M402	9WS0812M401	9WS0812M4D01	—	80 × 80 × 25 mm	Yes	✓	✓	✓	282
9WS0812M4011	9WS0812M4021	9WS0812M4011	—	—	80 × 80 × 25 mm	No	✓	✓	✓	282
9WS0824F401	9WS0824F402	9WS0824F401	—	—	80 × 80 × 25 mm	Yes	✓	✓	✓	282
9WS0824F4011	9WS0824F4021	9WS0824F4011	—	—	80 × 80 × 25 mm	No	✓	✓	✓	282
9WS0824H401	9WS0824H402	9WS0824H401	9WS0824H4D01	—	80 × 80 × 25 mm	Yes	✓	✓	✓	282
9WS0824H4011	9WS0824H4021	9WS0824H4011	—	—	80 × 80 × 25 mm	No	✓	✓	✓	282
9WS0824M401	9WS0824M402	9WS0824M401	9WS0824M4D01	—	80 × 80 × 25 mm	Yes	✓	✓	✓	282
9WS0824M4011	9WS0824M4021	9WS0824M4011	—	—	80 × 80 × 25 mm	No	✓	✓	✓	282
9WS0912F401	9WS0912F402	9WS0912F401	9WS0912F4D01	—	92 × 92 × 25 mm	Yes	✓	✓	✓	290
9WS0912H401	9WS0912H402	9WS0912H401	—	—	92 × 92 × 25 mm	Yes	✓	✓	✓	290
9WS0912L401	9WS0912L402	9WS0912L401	—	—	92 × 92 × 25 mm	Yes	✓	✓	✓	290
9WS0912M401	9WS0912M402	9WS0912M401	—	—	92 × 92 × 25 mm	Yes	✓	✓	✓	290
9WS0924F401	9WS0924F402	9WS0924F401	—	—	92 × 92 × 25 mm	Yes	✓	✓	✓	290
9WS0924H401	9WS0924H402	9WS0924H401	9WS0924H4D01	—	92 × 92 × 25 mm	Yes	✓	✓	✓	290
9WS0924L401	9WS0924L402	9WS0924L401	—	—	92 × 92 × 25 mm	Yes	✓	✓	✓	290
9WS0924M401	9WS0924M402	9WS0924M401	9WS0924M4D01	—	92 × 92 × 25 mm	Yes	✓	✓	✓	290
9VV0812P1M001	—	9VV0812M1001	9VV0812M1D001	9VV0812P1M001	80 × 80 × 38 mm	Yes	✓	✓	✓	284
9VV0812P1M0011	—	—	—	9VV0812P1M0011	80 × 80 × 38 mm	No	✓	✓	✓	284
9VV0848P1H001	—	—	—	9VV0848P1H001	80 × 80 × 38 mm	Yes	✓	✓	✓	284

Please contact your point of sale regarding low-speed sensors.

Models listed in the main section of this catalog	List of models (models not listed in the main section of this catalog are options. Standards for optional model numbers may differ from the certified standards listed at right. Contact us for details of models with "-" model numbers.)				Frame size	Rib	Standard (certification status is for the models listed in this catalog, and standards for optional model numbers may differ.)			page
	Without sensor	With pulse sensor	With lock sensor	With PWM control function and pulse sensor			UL (cUL)	CSA (cUL)	TÜV	
							✓	✓	✓	
9WV0848P1H0011	—	—	—	9WV0848P1H0011	80 × 80 × 38 mm	No	✓	✓	✓	284
9WV0924P1H001	9WV0924H1002	—	—	9WV0924P1H001	92 × 92 × 38 mm	Yes	✓	✓	✓	296
9WV0948P1H001	—	—	—	9WV0948P1H001	92 × 92 × 38 mm	Yes	✓	✓	✓	296
9WV1212P1J001	9WV1212J1002	—	9WV1212J1D001	9WV1212P1J001	120 × 120 × 38 mm	No	✓	✓	✓	298
9WV1224P1H001	9WV1224H102	9WV1224H101	9WV1224H1D001	9WV1224P1H001	120 × 120 × 38 mm	No	✓	✓	✓	298
9WV1224P1J601	—	9WV1224J1001	—	9WV1224P1J601	120 × 120 × 38 mm	No	✓	✓	✓	298
9WV1248P1J001	9WV1248J1002	9WV1248J1001	9WV1248J1D001	9WV1248P1J001	120 × 120 × 38 mm	No	✓	✓	✓	298

Please contact your point of sale regarding low-speed sensors.

г. Минск www.fotorele.net www.tiristor.by email minsk17@tut.by тел. +375447584780

Index by Model No./Safety Standards List - AC Fans **AC**

Models listed in the main section of this catalog	Frame size	Model	Rated voltage [V]	UL (cUL)	CSA (cUL)	TÜV	CE	PSE	Note	page
9AD0901H12	92×92×38 mm	San Ace 92AD	100 to 240	✓	✓	✓	✓	✓	Ribbed	458
9AD0901H121	92×92×38 mm	San Ace 92AD	100 to 240	✓	✓	✓	✓	✓	Ribless	458
9AD0901H1H	92×92×38 mm	San Ace 92AD	100 to 240	✓	✓	✓	✓	✓	Ribbed	458
9AD0901H1H1	92×92×38 mm	San Ace 92AD	100 to 240	✓	✓	✓	✓	✓	Ribless	458
9AD0901M12	92×92×38 mm	San Ace 92AD	100 to 240	✓	✓	✓	✓	✓	Ribbed	458
9AD0901M121	92×92×38 mm	San Ace 92AD	100 to 240	✓	✓	✓	✓	✓	Ribless	458
9AD0901M1H	92×92×38 mm	San Ace 92AD	100 to 240	✓	✓	✓	✓	✓	Ribbed	458
9AD0901M1H1	92×92×38 mm	San Ace 92AD	100 to 240	✓	✓	✓	✓	✓	Ribless	458
9AD1201H12	120×120×38 mm	San Ace 120AD	100 to 240	✓	✓	✓	✓	✓	Ribbed	461
9AD1201H121	120×120×38 mm	San Ace 120AD	100 to 240	✓	✓	✓	✓	✓	Ribless	461
9AD1201H1H	120×120×38 mm	San Ace 120AD	100 to 240	✓	✓	✓	✓	✓	Ribbed	461
9AD1201H1H1	120×120×38 mm	San Ace 120AD	100 to 240	✓	✓	✓	✓	✓	Ribless	461

Please contact your point of sale for pulse sensors and lock sensors.

Index by Model No./Safety Standards List - AC Fans **AC**

Models listed in the main section of this catalog	Frame size	Model	Rated voltage [V]	UL	CSA	TÜV	CE	PSE	Note	page
109-033UL	80×80×42 mm	San Ace 80	115	✓	✓	✓	✓	✓		476
109-040UL	80×80×42 mm	San Ace 80	100	✓	✓	✓	✓	✓		476
109-041UL	80×80×42 mm	San Ace 80	200	✓	✓	✓	✓	✓		476
109-043UL	80×80×42 mm	San Ace 80	115	✓	✓	✓	✓	✓		476
109-044UL	80×80×42 mm	San Ace 80	230	✓	✓	✓	✓	✓		476
109-047UL	80×80×42 mm	San Ace 80	100	✓	✓	✓	✓	✓		476
109-130	60×60×38 mm	San Ace 60	100	✓	—	✓	✓	—		468
109-133	60×60×38 mm	San Ace 60	115	✓	—	✓	✓	—		468
109-150	80×80×38 mm	San Ace 80	100	✓	✓	✓	✓	✓		474
109-151	80×80×38 mm	San Ace 80	200	✓	✓	✓	✓	✓		474
109-153	80×80×38 mm	San Ace 80	115	✓	✓	✓	✓	✓		474
109-154	80×80×38 mm	San Ace 80	230	✓	✓	✓	✓	✓		474
109-180	60×60×28 mm	San Ace 60	100	✓	—	✓	✓	—		466
109-183	60×60×28 mm	San Ace 60	115	✓	—	✓	✓	—		466
109-210	80×80×20 mm	San Ace 80	100	✓	✓	✓	✓	—		470
109-213	80×80×20 mm	San Ace 80	115	✓	✓	✓	✓	—		470
109-311	∅172×51 mm (Round type)	San Ace 172	100	✓	✓	✓	✓	✓		496
109-312	∅172×51 mm (Round type)	San Ace 172	200	✓	✓	✓	✓	✓		496
109-313	∅172×51 mm (Round type)	San Ace 172	230	✓	✓	✓	✓	✓		496
109-314	∅172×51 mm (Round type)	San Ace 172	115	✓	✓	✓	✓	✓		496
109-371	∅172×51 mm (with sensor)	San Ace 172	100	✓	—	✓	✓	✓		496
109-372	∅172×51 mm (with sensor)	San Ace 172	200	✓	—	✓	✓	✓		496
109-373	∅172×51 mm (with sensor)	San Ace 172	230	✓	—	✓	✓	✓		496
109-374	∅172×51 mm (with sensor)	San Ace 172	115	✓	—	✓	✓	✓		496
109-601	160×160×51 mm	San Ace 160	100	✓	✓	✓	✓	✓		491
109-602	160×160×51 mm	San Ace 160	200	✓	✓	✓	✓	✓		491
109-603	160×160×51 mm	San Ace 160	230	✓	✓	✓	✓	✓		491
109-604	160×160×51 mm	San Ace 160	115	✓	✓	✓	✓	✓		491
109-641	160×160×51 mm (with sensor)	San Ace 160	100	✓	—	✓	✓	✓		491
109-642	160×160×51 mm (with sensor)	San Ace 160	200	✓	—	✓	✓	✓		491
109-643	160×160×51 mm (with sensor)	San Ace 160	230	✓	—	✓	✓	✓		491
109-644	160×160×51 mm (with sensor)	San Ace 160	115	✓	—	✓	✓	✓		491
109S005	120×120×38 mm	San Ace 120	100	—	—	—	—	✓		486
109S005UL	120×120×38 mm	San Ace 120	100	✓	✓	✓	✓	✓		486
109S006	120×120×38 mm	San Ace 120	100	—	—	—	—	✓		486
109S006UL	120×120×38 mm	San Ace 120	100/115	✓	✓	✓	✓	✓		486
109S008	120×120×38 mm	San Ace 120	200	—	—	—	—	✓		486
109S008UL	120×120×38 mm	San Ace 120	200	✓	✓	✓	✓	✓		486
109S010	120×120×38 mm	San Ace 120	200	—	—	—	—	✓		486
109S010UL	120×120×38 mm	San Ace 120	200/240	✓	✓	✓	✓	✓		486
109S013	120×120×38 mm	San Ace 120	100	—	—	—	—	✓		486
109S013UL	120×120×38 mm	San Ace 120	100	✓	✓	✓	✓	✓		486
109S024	120×120×38 mm	San Ace 120	120	—	—	—	—	✓		486
109S024UL	120×120×38 mm	San Ace 120	115	✓	✓	✓	✓	✓		486
109S025	120×120×38 mm	San Ace 120	230	—	—	—	—	✓		486
109S025UL	120×120×38 mm	San Ace 120	230	✓	✓	✓	✓	✓		486
109S029UL	120×120×38 mm	San Ace 120	100	✓	✓	✓	✓	✓		486

Models listed in the main section of this catalog	Frame size	Model	Rated voltage [V]	UL	CSA	TÜV	CE	PSE	Note	page
109S030	80 × 80 × 25 mm	San Ace 80	100	✓	✓	✓	✓	✓		472
109S031	80 × 80 × 25 mm	San Ace 80	200	✓	✓	✓	✓	✓		472
109S033	80 × 80 × 25 mm	San Ace 80	115	✓	✓	✓	✓	✓		472
109S034	80 × 80 × 25 mm	San Ace 80	230	✓	✓	✓	✓	✓		472
109S050	80 × 80 × 25 mm	San Ace 80	100	✓	✓	✓	✓	✓		472
109S051	80 × 80 × 25 mm	San Ace 80	200	✓	✓	✓	✓	✓		472
109S053	80 × 80 × 25 mm	San Ace 80	115	✓	✓	✓	✓	✓		472
109S054	80 × 80 × 25 mm	San Ace 80	230	✓	✓	✓	✓	✓		472
109S072UL	120 × 120 × 38 mm	San Ace 120	230	✓	✓	✓	✓	✓		486
109S074UL	120 × 120 × 38 mm	San Ace 120	115	✓	✓	✓	✓	✓		486
109S075UL	120 × 120 × 38 mm	San Ace 120	100	✓	✓	✓	✓	✓		486
109S078UL	120 × 120 × 38 mm	San Ace 120	200	✓	✓	✓	✓	✓		486
109S081	120 × 120 × 25 mm	San Ace 120	100	✓	✓	✓	✓	✓		482
109S082	120 × 120 × 25 mm	San Ace 120	200	✓	✓	✓	✓	✓		482
109S083	120 × 120 × 25 mm	San Ace 120	115	✓	✓	✓	✓	✓		482
109S084	120 × 120 × 25 mm	San Ace 120	115	✓	✓	✓	✓	✓		482
109S085	120 × 120 × 25 mm	San Ace 120	100	✓	✓	✓	✓	✓		482
109S086	120 × 120 × 25 mm	San Ace 120	100	✓	✓	✓	✓	✓		482
109S087	120 × 120 × 25 mm	San Ace 120	230	✓	✓	✓	✓	✓		482
109S088	120 × 120 × 25 mm	San Ace 120	200	✓	✓	✓	✓	✓		482
109S089	120 × 120 × 25 mm	San Ace 120	230	✓	✓	✓	✓	✓		482
109S091	92 × 92 × 25 mm	San Ace 92	100	✓	✓	✓	✓	✓		478
109S092	92 × 92 × 25 mm	San Ace 92	200	✓	✓	✓	✓	✓		478
109S093	92 × 92 × 25 mm	San Ace 92	115	✓	✓	✓	✓	✓		478
109S094	92 × 92 × 25 mm	San Ace 92	230	✓	✓	✓	✓	✓		478
109S095	92 × 92 × 25 mm	San Ace 92	100	✓	✓	✓	✓	✓		478
109S096	92 × 92 × 25 mm	San Ace 92	100	✓	✓	✓	✓	✓		478
109S192	92 × 92 × 25 mm	San Ace 92	200	✓	✓	✓	✓	✓		478
109S193	92 × 92 × 25 mm	San Ace 92	115	✓	✓	✓	✓	✓		478
109S194	92 × 92 × 25 mm	San Ace 92	230	✓	✓	✓	✓	✓		478
109S301	∅172 × 150 × 51 mm (Sidecut type)	San Ace 172	100	✓	✓	✓	✓	✓		494
109S302	∅172 × 150 × 51 mm (Sidecut type)	San Ace 172	200	✓	✓	✓	✓	✓		494
109S303	∅172 × 150 × 51 mm (Sidecut type)	San Ace 172	230	✓	✓	✓	✓	✓		494
109S304	∅172 × 150 × 51 mm (Sidecut type)	San Ace 172	115	✓	✓	✓	✓	✓		494
109S405UL	120 × 120 × 38 mm (with sensor)	San Ace 120	100	✓	—	✓	✓	✓		487
109S406UL	120 × 120 × 38 mm (with sensor)	San Ace 120	100	✓	—	✓	✓	✓		487
109S408UL	120 × 120 × 38 mm (with sensor)	San Ace 120	200	✓	—	✓	✓	✓		487
109S424UL	120 × 120 × 38 mm (with sensor)	San Ace 120	115	✓	—	✓	✓	✓		487
109S425UL	120 × 120 × 38 mm (with sensor)	San Ace 120	230	✓	—	✓	✓	✓		487
109S429UL	120 × 120 × 38 mm (with sensor)	San Ace 120	100	✓	—	✓	✓	✓		487
109S472UL	120 × 120 × 38 mm (with sensor)	San Ace 120	230	✓	—	✓	✓	✓		487
109S474UL	120 × 120 × 38 mm (with sensor)	San Ace 120	115	✓	—	✓	✓	✓		487
109S475UL	120 × 120 × 38 mm (with sensor)	San Ace 120	100	✓	—	✓	✓	✓		487
109S478UL	120 × 120 × 38 mm (with sensor)	San Ace 120	200	✓	—	✓	✓	✓		487
109S484	120 × 120 × 25 mm (with sensor)	San Ace 120	115	✓	—	✓	✓	✓		482
109S485	120 × 120 × 25 mm (with sensor)	San Ace 120	100	✓	—	✓	✓	✓		482
109S486	120 × 120 × 25 mm (with sensor)	San Ace 120	100	✓	—	✓	✓	✓		482
109S487	120 × 120 × 25 mm (with sensor)	San Ace 120	230	✓	—	✓	✓	✓		482
109S488	120 × 120 × 25 mm (with sensor)	San Ace 120	200	✓	—	✓	✓	✓		482
109S491	92 × 92 × 25 mm (with sensor)	San Ace 92	100	✓	—	✓	✓	✓		478
109S492	92 × 92 × 25 mm (with sensor)	San Ace 92	200	✓	—	✓	✓	✓		478
109S493	92 × 92 × 25 mm (with sensor)	San Ace 92	115	✓	—	✓	✓	✓		478
109S494	92 × 92 × 25 mm (with sensor)	San Ace 92	230	✓	—	✓	✓	✓		478
109S495	92 × 92 × 25 mm (with sensor)	San Ace 92	100	✓	—	✓	✓	✓		478
109S496	92 × 92 × 25 mm (with sensor)	San Ace 92	100	✓	—	✓	✓	✓		478

Index by Model No. - Options

■ Finger Guards **DC** **AC**

Model no.	Category	Matching fan size	page
109-019C	Finger Guards	120 mm sq. type	514
109-019E	Finger Guards	120 mm sq. type	514
109-019H	Finger Guards	120 mm sq. type	514
109-019K	Finger Guards	120 mm sq. type	514
109-049C	Finger Guards	80 mm sq. type	513
109-049E	Finger Guards	80 mm sq. type	513
109-049H	Finger Guards	80 mm sq. type	513
109-059	Finger Guards	40 mm sq. type	513
109-059H	Finger Guards	40 mm sq. type	513
109-099C	Finger Guards	92 mm sq. type	513
109-099E	Finger Guards	92 mm sq., \varnothing 100 mm type	513
109-099H	Finger Guards	92 mm sq., \varnothing 100 mm type	513
109-1050	Finger Guards	36 mm sq. type	513
109-1051	Finger Guards	150 mm sq. type	514
109-1052	Finger Guards	150 mm sq. type	514
109-1065	Finger Guards	38 mm sq. type	513
109-1066	Finger Guards	\varnothing 172 mm type	515
109-1068	Finger Guards	\varnothing 172 mm type	515
109-1102	Finger Guards	\varnothing 200 mm type	516
109-1103	Finger Guards	\varnothing 200 mm type	516
109-1104	Finger Guards	\varnothing 150 mm type	514
109-1104H	Finger Guards	\varnothing 150 mm type	514
109-1112	Finger Guards	\varnothing 133 mm type	514
109-1128	Finger Guards	70 mm sq. type	513
109-1137	Finger Guards	\varnothing 225 mm type	516
109-1137H	Finger Guards	\varnothing 225 mm type	516
109-1138	Finger Guards	\varnothing 221 mm type	516
109-1138H	Finger Guards	\varnothing 221 mm type	516
109-1139	Finger Guards	\varnothing 136 mm type	514
109-1146	Finger Guards	270 mm sq. type	517
109-1147	Finger Guards	\varnothing 92 mm type	513
109-139E	Finger Guards	60 mm sq. type	513
109-139H	Finger Guards	60 mm sq. type	513
109-149	Finger Guards	52 mm sq. type	513
109-149E	Finger Guards	52 mm sq. type	513
109-319E	Finger Guards	\varnothing 172 mm type	515
109-319H	Finger Guards	\varnothing 172 mm type	515
109-319J	Finger Guards	\varnothing 172 mm type	515
109-320	Finger Guards	\varnothing 172 mm type	515
109-619E	Finger Guards	160 mm sq. type	514
109-619H	Finger Guards	160 mm sq. type	514
109-620	Finger Guards	160 mm sq. type	514
109-719	Finger Guards	140 mm sq. type	514
109-719H	Finger Guards	140 mm sq. type	514
109-720	Finger Guards	\varnothing 200 mm type	516
109-720H	Finger Guards	\varnothing 200 mm type	516
109-721	Finger Guards	\varnothing 200 mm type	516
109-721H	Finger Guards	\varnothing 200 mm type	516
109-722	Finger Guards	127 mm sq., \varnothing 175 mm type	514
109-723	Finger Guards	127 mm sq. type	514

■ Resin Finger Guards/Resin Filter Kits **DC** **AC**

Model no.	Category	Matching fan size	page
109-1000F13	Resin Filter Kits	120 mm sq. type	521
109-1000F20	Resin Filter Kits	120 mm sq. type	521
109-1000F30	Resin Filter Kits	120 mm sq. type	521
109-1000F40	Resin Filter Kits	120 mm sq. type	521
109-1001F13	Resin Filter Kits	92 mm sq. type	521
109-1001F20	Resin Filter Kits	92 mm sq. type	521
109-1001F30	Resin Filter Kits	92 mm sq. type	521
109-1001F40	Resin Filter Kits	92 mm sq. type	521
109-1002F13	Resin Filter Kits	80 mm sq. type	521
109-1002F20	Resin Filter Kits	80 mm sq. type	521
109-1002F30	Resin Filter Kits	80 mm sq. type	521
109-1002F40	Resin Filter Kits	80 mm sq. type	521
109-1003F13	Resin Filter Kits	60 mm sq. type	521
109-1003F20	Resin Filter Kits	60 mm sq. type	521
109-1003F30	Resin Filter Kits	60 mm sq. type	521
109-1003F40	Resin Filter Kits	60 mm sq. type	521
109-1000G	Resin Finger Guards	120 mm sq. type	520
109-1001G	Resin Finger Guards	92 mm sq. type	520
109-1002G	Resin Finger Guards	80 mm sq. type	520
109-1003G	Resin Finger Guards	60 mm sq. type	520

■ Replacement filter **DC** **AC**

Model no.	Category	Matching fan size	page
109-1000M13	Replacement filter	120 mm sq. type	521
109-1000M20	Replacement filter	120 mm sq. type	521
109-1000M30	Replacement filter	120 mm sq. type	521
109-1000M40	Replacement filter	120 mm sq. type	521
109-1001M13	Replacement filter	92 mm sq. type	521
109-1001M20	Replacement filter	92 mm sq. type	521
109-1001M30	Replacement filter	92 mm sq. type	521
109-1001M40	Replacement filter	92 mm sq. type	521
109-1002M13	Replacement filter	80 mm sq. type	521
109-1002M20	Replacement filter	80 mm sq. type	521
109-1002M30	Replacement filter	80 mm sq. type	521
109-1002M40	Replacement filter	80 mm sq. type	521
109-1003M13	Replacement filter	60 mm sq. type	521
109-1003M20	Replacement filter	60 mm sq. type	521
109-1003M30	Replacement filter	60 mm sq. type	521
109-1003M40	Replacement filter	60 mm sq. type	521

■ EMC guards/Inlet nozzle for centrifugal fan and splash proof centrifugal fan **DC**

Model no.	Category	Matching fan size	page
109-1036	EMC guards	∅172 mm type	519
109-1037	EMC guards	120 mm sq. type	519
109-1038	EMC guards	80 mm sq. type	519
109-1039	EMC guards	80 mm sq. type	519
109-1040	EMC guards	92 mm sq. type	519
109-1069	Inlet nozzle for centrifugal fan and splash proof centrifugal fan	∅133 mm type	518
109-1069H	Inlet nozzle for centrifugal fan and splash proof centrifugal fan	∅133 mm type	518
109-1073	Inlet nozzle for centrifugal fan and splash proof centrifugal fan	∅175 mm type	518
109-1073H	Inlet nozzle for centrifugal fan and splash proof centrifugal fan	∅175 mm type	518
109-1080	Inlet nozzle for centrifugal fan and splash proof centrifugal fan	∅100 mm type	518
109-1081	Inlet nozzle for centrifugal fan and splash proof centrifugal fan	∅150 mm type	518
109-1081H	Inlet nozzle for centrifugal fan and splash proof centrifugal fan	∅150 mm type	518
109-1134	Inlet nozzle for centrifugal fan and splash proof centrifugal fan	∅225 mm type	518
109-1134H	Inlet nozzle for centrifugal fan and splash proof centrifugal fan	∅225 mm type	518
109-1135	Inlet nozzle for centrifugal fan and splash proof centrifugal fan	∅221 mm type	518
109-1135H	Inlet nozzle for centrifugal fan and splash proof centrifugal fan	∅221 mm type	518

■ Plug Cord **AC**

Model no.	UL	CSA	PSE	Applicable model	page
489-006-L10			✓	120 × 120 × 38 mm	523
489-006-L21			✓	120 × 120 × 38 mm	523
489-006-L35			✓	120 × 120 × 38 mm	523
489-007-L10	✓	✓		120 × 120 × 38 mm	524
489-007-L21	✓	✓		120 × 120 × 38 mm	524
489-008-L10			✓	80 × 80 × 42 mm	523
489-008-L21			✓	80 × 80 × 42 mm	523
489-008-L35			✓	80 × 80 × 42 mm	523
489-016-L10			✓	120 × 120 × 25 mm 92 × 92 × 25 mm 80 × 80 × 25 mm 80 × 80 × 38 mm	523
489-016-L21			✓	120 × 120 × 25 mm 92 × 92 × 25 mm 80 × 80 × 25 mm 80 × 80 × 38 mm	523
489-037-L10			✓	120 × 120 × 38 mm	523
489-037-L21			✓	120 × 120 × 38 mm	523
489-037-L35			✓	120 × 120 × 38 mm	523
489-047-L10	✓	✓		120 × 120 × 25 mm 92 × 92 × 25 mm 80 × 80 × 25 mm 80 × 80 × 38 mm	524
489-047-L21	✓	✓		120 × 120 × 25 mm 92 × 92 × 25 mm 80 × 80 × 25 mm 80 × 80 × 38 mm	524
489-084-L10	✓	✓		∅172 × 51 mm ∅172 × 150 × 51 mm 160 × 160 × 51 mm	524
489-084-L21	✓	✓		∅172 × 51 mm ∅172 × 150 × 51 mm 160 × 160 × 51 mm	524
489-086-L10	✓	✓		160 × 160 × 51 mm	524
489-086-L21	✓	✓		160 × 160 × 51 mm	524
489-1618-L10			✓	160 × 160 × 51 mm	523
489-1618-L21			✓	160 × 160 × 51 mm	523
489-1618-L28			✓	160 × 160 × 51 mm	523
489-1619-L10			✓	∅172 × 51 mm ∅172 × 150 × 51 mm 160 × 160 × 51 mm	523
489-1619-L21			✓	∅172 × 51 mm ∅172 × 150 × 51 mm 160 × 160 × 51 mm	523
489-1635-L10	✓	✓	✓	ACDC Fan	524
489-1635-L21	✓	✓	✓		524

Recommended connectors for DC fans ···· page 525

г.Мінск www.fotorele.net www.tiristor.by Минск 70тут.by 7584780

Deleted Models in this Catalog

Following models were deleted in this latest version of catalog. However, these models are not discontinued product. Please contact us for further assistance if necessary.

DC Fan

Size	Model no.	Frame material	Rated voltage [V]	Operating voltage range [V]	Rated current [A]	Rated input [W]	Rated speed [min ⁻¹]	Max. airflow [m ³ /min] [CFM]	Max. static pressure [Pa] [inchH ₂ O]	SPL [dB (A)]	Operating temperature [°C]	Expected life [h]
Ø200 × 70 mm	109E2024S001	Aluminum	24	21.6 to 26.4	1.9	45.6	3200	10.45 369	287.1 1.153	57	-10 to +70	40000
Ø200 × 70 mm	109E2024H001	Aluminum	24	20.4 to 27.6	1.0	24	2600	8.2 289.5	192 0.771	51	-10 to +70	40000
Ø200 × 70 mm	109E2024AS001	Aluminum	24	21.6 to 26.4	1.9	45.6	3200	10.45 369	287.1 1.153	57	-10 to +70	40000
					1.45	34.8	2800	9 317.8	215.6 0.865	54		
Ø200 × 70 mm	109E2024MH001	Aluminum	24	20.4 to 27.6	1.0	24	2600	8.2 289.5	192 0.771	51	-10 to +70	40000
					0.63	15.12	2100	6.7 236.6	115.4 0.463	45		

Counter Rotating Fan

Size	Model no.	Frame material	Rated voltage [V]	Operating voltage range [V]	Rated current [A]	Rated input [W]	Rated speed [min ⁻¹]		Max. airflow [m ³ /min] [CFM]	Max. static pressure [Pa] [inchH ₂ O]	SPL [dB (A)]	Operating temperature [°C]	Expected life [h]
							Inlet	Outlet					
40 × 40 × 56 mm	9CRA0412K501	Plastic	12	10.8 to 12.6	1.8	21.6	17000	13000	0.95 33.5	650 2.61	65	-20 to +60	40000
40 × 40 × 56 mm	9CRA0412J501	Plastic	12	10.8 to 13.2	1.4	16.8	15800	12200	0.9 31.8	570 2.29	62	-20 to +70	40000
40 × 40 × 56 mm	9CRA0412G501	Plastic	12	10.8 to 13.2	1.0	12	14000	10400	0.77 27.2	435 1.75	59	-20 to +70	40000
60 × 60 × 76 mm	9CR0612S001	Plastic	12	10.8 to 13.2	3.2	38.4	11500	7000	2.26 80	550 2.21	66	-10 to +60	40000
60 × 60 × 76 mm	9CR0612H001	Plastic	12	10.8 to 13.2	2.7	32.4	10300	6500	1.98 70	450 1.81	64	-10 to +60	40000
80 × 80 × 80 mm	9CR0812S801	Plastic	12	10.8 to 13.2	5.5	66.0	8000	5300	4.53 160	520 2.09	71	-10 to +60	40000
80 × 80 × 80 mm	9CR0812H801	Plastic	12	10.8 to 13.2	3.6	43.2	7000	4600	3.97 140	400 1.61	68	-10 to +60	40000

Size	Model no.	Frame material	Rated voltage [V]	PWM frequency [kHz]	Rated current [A]	Rated speed [min ⁻¹]		Max. airflow [m ³ /min] [CFM]	Max. static pressure [Pa] [inchH ₂ O]	SPL [dB (A)]	Expected life [h]
						Duty cycle 0%	Duty cycle 100%				
60 × 60 × 76 mm	9CR0612P0S03	Plastic	12	25.0	3.2	Inlet: 1300 Outlet: 800	Inlet: 11500 Outlet: 7000	2.26 79.8	550 2.21	66	40000
	9CR0612P0H03	Plastic	12	25.0	2.7	Inlet: 1200 Outlet: 800	Inlet: 10300 Outlet: 6500	1.98 69.91	450 1.81	64	40000
80 × 80 × 80 mm	9CR0848P8S03	Plastic	48	25.0	1.29	Inlet: 2000 Outlet: 1300	Inlet: 8000 Outlet: 5300	4.53 159.95	520 2.09	71	40000

Size	Model no.	Frame material	Rated voltage [V]	Operating voltage range [V]	PWM duty cycle* [%]	Rated current [A]	Rated input [W]	Rated speed [min ⁻¹]		Max. airflow [m ³ /min] [CFM]	Max. static pressure [Pa] [inchH ₂ O]	SPL [dB (A)]	Operating temperature [°C]	Expected life [h]
								Inlet	Outlet					
40 × 40 × 56 mm	9CRB0412P5S201	Plastic	12	10.8 to 13.2	100	1.4	16.8	22000	19700	0.9 31.8	1045 4.197	68	-20 to +70	40000
						0.09	1.08	3800	3500	0.15 5.3	31 0.124	26	-20 to +70	40000
40 × 40 × 56 mm	9CRB0412P5K001	Plastic	12	10.8 to 13.2	100	0.88	10.56	19000	17000	0.76 26.83	730 2.93	62	-20 to +70	40000
						0.11	1.32	5700	5100	0.21 7.41	67 0.26	33	-20 to +70	40000
40 × 40 × 56 mm	9CRB0412P5J201	Plastic	12	10.8 to 13.2	100	0.72	8.64	17300	16000	0.71 25.1	650 2.61	61	-20 to +70	40000
						0.07	0.84	3450	3200	0.13 4.59	26 0.1	24	-20 to +70	40000

* PWM frequency: 25 kHz

Long Life Fan

Size	Model no.	Frame material	Rated voltage [V]	Operating voltage range [V]	Rated current [A]	Rated input [W]	Rated speed [min ⁻¹]	Max. airflow [m ³ /min] [CFM]	Max. static pressure [Pa] [inchH ₂ O]	SPL [dB (A)]	Operating temperature [°C]	Expected life [h]
60 × 60 × 25 mm	109L0612G401	Aluminum	12	10.2 to 13.8	0.24	2.88	5600	0.78 27.5	87.3 0.35	39	-20 to +70	100000
60 × 60 × 25 mm	109L0612S401	Aluminum	12	10.2 to 13.8	0.17	2.04	4600	0.65 23.0	56.8 0.228	33	-20 to +70	100000
60 × 60 × 25 mm	109L0612H401	Aluminum	12	10.2 to 13.8	0.11	1.32	3800	0.53 18.7	40.2 0.161	28	-20 to +70	100000
60 × 60 × 25 mm	109L0612F401	Aluminum	12	10.2 to 13.8	0.09	1.08	3200	0.44 15.5	29.4 0.118	24	-20 to +70	100000
60 × 60 × 25 mm	109L0612M401	Aluminum	12	10.2 to 13.8	0.06	0.72	2600	0.36 12.7	19.6 0.079	20	-20 to +70	100000
60 × 60 × 25 mm	109L0624D401	Aluminum	24	20.4 to 27.6	0.12	2.88	5150	0.72 25.4	73.8 0.296	37	-20 to +70	100000
60 × 60 × 25 mm	109L0624S401	Aluminum	24	20.4 to 27.6	0.08	1.92	4600	0.65 23.0	56.8 0.23	33	-20 to +70	100000
60 × 60 × 25 mm	109L0624H401	Aluminum	24	20.4 to 27.6	0.06	1.44	3800	0.53 18.7	40.2 0.161	28	-20 to +70	100000
60 × 60 × 25 mm	109L0624F401	Aluminum	24	20.4 to 27.6	0.05	1.2	3200	0.44 15.5	29.4 0.118	24	-20 to +70	100000
60 × 60 × 25 mm	109L0624M401	Aluminum	24	20.4 to 27.6	0.04	0.96	2600	0.36 12.7	19.6 0.079	20	-20 to +70	100000
60 × 60 × 25 mm	109L0648G401	Aluminum	48	40.8 to 55.2	0.07	3.36	5600	0.78 27.5	87.3 0.35	39	-20 to +60	80000
60 × 60 × 25 mm	109L0648H401	Aluminum	48	40 to 53	0.04	1.92	3800	0.53 18.7	40.2 0.161	28	-20 to +70	100000


Thermally Controlled Fan

Size	Model no.	Frame material	Rated voltage [V]	Operating voltage range [V]	Rated current [A]	Rated input [W]	Rated speed [min ⁻¹]	Max. airflow [m ³ /min] [CFM]		Max. static pressure [Pa] [inchH ₂ O]		SPL [dB (A)]	Operating temperature [°C]	Expected life [h]
52 × 52 × 15 mm	109P0512T7H12	Plastic	12	10.2 to 13.8	0.13	1.56	4600	0.255	9.0	31.9	0.128	27	-10 to +70	60000
					0.09	1.08	2300	0.13	4.6	8.8	0.035	17		
52 × 52 × 15 mm	109P0512T7H122	Plastic	12	10.2 to 13.8	0.13	1.56	4900	0.27	9.5	36.2	0.145	28	-10 to +70	60000
					0.09	1.08	2400	0.14	4.9	9.6	0.039	17		
60 × 60 × 15 mm	109P0612T7H12	Plastic	12	10.2 to 13.8	0.12	1.44	4100	0.4	14.1	38.2	0.153	32	-10 to +70	60000
					0.08	0.96	2050	0.2	7.1	9.3	0.037	18		
60 × 60 × 15 mm	109P0612T7H122	Plastic	12	10.2 to 13.8	0.12	1.44	4300	0.42	14.8	42.0	0.169	32	-10 to +70	60000
					0.08	0.96	2100	0.2	7.0	9.7	0.039	18		
60 × 60 × 20 mm	109P0612T6H12	Plastic	12	10.2 to 13.8	0.15	1.8	4200	0.42	14.8	31.9	0.128	31	-10 to +70	60000
					0.1	1.2	2100	0.21	7.4	8.8	0.035	21		
60 × 60 × 20 mm	109P0612T6H122	Plastic	12	10.2 to 13.8	0.15	1.8	4400	0.44	15.5	35.0	0.141	33	-10 to +70	60000
					0.1	1.2	2150	0.22	7.8	9.2	0.037	21		
60 × 60 × 25 mm	109R0612T4H12 109R0612T4H121	Plastic	12	10.2 to 13.8	0.13	1.56	3800	0.53	18.7	40.2	0.161	28	-10 to +60	60000
					0.1	1.2	1900	0.26	9.2	9.8	0.039	15		
60 × 60 × 25 mm	109R0612T4H122 109R0612T4H123	Plastic	12	10.2 to 13.8	0.13	1.56	3950	0.55	19.4	41.8	0.168	28	-10 to +60	60000
					0.1	1.2	1950	0.27	9.5	10.3	0.041	15		
80 × 80 × 20 mm	109P0812T6H12	Plastic	12	10.2 to 13.8	0.18	2.16	2900	0.84	29.7	29.4	0.118	31	-10 to +60	60000
					0.1	1.2	1450	0.42	14.8	7.4	0.03	18		
80 × 80 × 20 mm	109P0812T6H122	Plastic	12	10.2 to 13.8	0.18	2.16	3050	0.88	31.0	32.5	0.131	32	-10 to +60	60000
					0.1	1.2	1450	0.42	14.8	7.4	0.03	20		
80 × 80 × 25 mm	109R0812T4H12 109R0812T4H121	Plastic	12	10.2 to 13.8	0.14	1.68	2900	1.03	36.4	35.3	0.142	29	-10 to +60	60000
					0.09	1.08	1450	0.51	18.0	8.8	0.035	14		
80 × 80 × 25 mm	109R0812T4H122 109R0812T4H123	Plastic	12	10.2 to 13.8	0.14	1.68	3000	1.07	37.8	37.7	0.151	29	-10 to +60	60000
					0.09	1.08	1450	0.51	18.0	8.8	0.035	14		




Blower

Size	Model no.	Frame material	Rated voltage [V]	Operating voltage range [V]	Rated current [A]	Rated input [W]	Rated speed [min ⁻¹]	Max. airflow [m ³ /min] [CFM]		Max. static pressure [Pa] [inchH ₂ O]		SPL [dB (A)]	Operating temperature [°C]	Expected life [h]
120 × 32 mm	109BF12HC2	Plastic	12	10.2 to 13.8	0.6	7.2	2400	0.78	27.5	175.4	0.704	52	-20 to +60	40000
120 × 32 mm	109BF12MC2	Plastic	12	10.2 to 13.8	0.32	3.84	1900	0.61	21.5	109.8	0.441	44	-20 to +60	40000
120 × 32 mm	109BF24HC2	Plastic	24	20.4 to 27.6	0.3	7.2	2400	0.78	27.5	175.4	0.704	52	-20 to +60	40000
120 × 32 mm	109BF24MC2	Plastic	24	20.4 to 27.6	0.16	3.84	1900	0.61	21.5	109.8	0.441	44	-20 to +60	40000


• Storage temperature is -30 to +70°C.

ARGENTINA**Digi-Key Electronics**TEL: +1 218 681 7979 FAX: +1 218 681 3380 **AUSTRALIA****BRAEMAC PTY LTD**


1/59-61 Burrows Road, Alexandria NSW 2015, Australia

TEL: +61 2 9550 6600 FAX: +61 2 9550 6377   **AUSTRALIA****Avnet Electronics Marketing Asia Sydney(NSW)**


9B, 9-11 South Street, Rydalmere NSW 2116, Australia

TEL: +61 2 9585 5511 FAX: +61 2 9585 5519 **AUSTRALIA****Arwon Solutions PTY LTD**







17a Dennis Street Cambellfield Vic 3061, Australia

TEL: +61 3 9308 9085 FAX: +61 3 9308 8644 **AUSTRALIA****Tronics PTY LTD**









41-43 Lakeside Drive, Broadmeadows Vic 3047, Australia

TEL: 61 (0)3 9355 2300 FAX: +61 3 9464 2538 **BELGIUM****SERVOTRONIC BVBA**




Harmoniealaan 2, 2960 Brecht, Belgium

TEL: +32 3 326 4666 FAX: +32 3 326 1393  **BRAZIL****Digi-Key Electronics**TEL: +1 218 681 7979 FAX: +1 218 681 3380 **BRAZIL****Newark Electronics Corporation**TEL: +1 800 463 9275 FAX: +1 888 551 4801   **CANADA****Arrow Electronics, Inc.**


Please see locations at;

https://www.arrow.com/en/support/contact-support/find-an-arrow-office?country=CA_OfficesTEL: +1 855 326 4757 **CANADA****Digi-Key Electronics**TEL: +1 800 344 4539 FAX: +1 218 681 3380 **CANADA****Marsh Electronics, Inc.**TEL: +1 800 926 2774 FAX: +1 414 771 2847 **CANADA****Mouser Electronics, Inc.**TEL: +1 800 346 6873 FAX: +1 817 804 3899 **CANADA****Newark Electronics Corporation**TEL: +1 800 463 9275 FAX: +1 888 551 4801   **CANADA****PUI (Projections Unlimited, Inc.)**TEL: +1 800 551 4405 FAX: +1 949 789 0626 **CANADA****Sager Electronics, Inc.**


200 Matheson Blvd. West, Suite 105, Mississauga, Ontario L5R 3L7 Canada

TEL: +1 800 724 3780 FAX: +1 905 755 8889  **CANADA****Tonar Industries**TEL: +1 800 568 6627 FAX: +1 973 586 2075 **CANADA****Epic Technical Sales, Inc.**


1925 18th Avenue NE, Suite 115, Calgary, AB T2E 7T8, Canada

TEL: +1 403 769 1881 FAX: +1 403 769 1881 **CANADA****Pipe-Thompson Technologies Inc.**




1100 Burloak Drive, Suite 300 Burlington, Ontario, Canada L7L 6B2, Canada

TEL: +1 905 332 2758 FAX: +1 905 607 1858 **CANADA****COWPER, INC**




677-7E Avenue Lachine, Montreal, QUE, Canada

TEL: +1 514 637 6746 FAX: +1 514 637 5055 **CHINA****Shanghai TangYuan Electronics & Components Co., Ltd**




Room 417, Building A, No.7001 ZhongChun Road, MingGu Technical Park, Shanghai, China

TEL: +86 21 54796300/+86 21 54462301 FAX: +86 21 54728933   **CHINA****SHANGHAI GO-WELL ELECTRICAL TECHNOLOGY CO.,LTD.**




6th Floor, No.173, Jiangchang 3rd Road, Zhabei District, Shanghai, 200436, China

TEL: +86 21 6630 0101 FAX:+86 21 5080 2962   **CHINA****Shanghai Comtech Electronic Technology Co.Ltd.**




Rm.1904, Golden Magnolia Plaza,No.1 Dapu Road Shanghai China 200023

TEL: +86 21 63900088 FAX: +86 21 53850872/73   **CHINA****BEIJING GO-WELL YANGHAI ELECTRICAL TECHNOLOGY CO., LTD.**




Room 1106, Weixing Building, No.63, Zhichun Road, Haidian District, Beijing 100190, China

TEL: +86 10 8286 7980 FAX: +86 10 8286 7987   **CHINA****MELCO INDUSTRIAL SUPPLIES TRADING (SHANGHAI) CO., LTD**




Flat B, 9/F, DaTong Commercial Tower, No.369 FuXing Road Central, Shanghai 200025, China

TEL: +86 21 6320 1250 FAX: +86 21 6320 0079   **CHINA****广州市美高工业器材有限公司**




广州市越秀区一德路晏公街 36 号大同商业大厦 1801-1803 室

TEL: +86 20 8326 6170 FAX: +86 20 8326 6180   **CHINA****SHEN SING COMPANY LIMITED (Wu Xi Office)**




18th floor, Unit H, Wah Kwong Building, 333 Zhong Shan Road, Wu Xi, Jian Su, China, 214001

TEL: +86 510 8273 8091 FAX: +86 510 8276 3243   **CHINA****SHANGHAI LVMAC INTERNATIONAL TRADE CO.,LTD**




Room 203, Unit 1, No. 333 HongQiao Road, Xuhui District, Shanghai-200030, CHINA

TEL: +86 21 6432 6969 FAX: +86 86 21 6432 5092   **CHINA****QuadRep Electronics CO., Ltd (Shanghai)**




Room 707, Block A, Lane 547, West Tian Mu Rd, Shanghai, China, 200070

TEL: +86 21 6317 5445 FAX: +86 21 6317 6042   **CHINA****SHANGHAI AL-CHARM INTERNATIONAL TRADING CO.,LTD.**




Unit 1303 Haisen International Mansion, No.1 Lane 829, Wanhang Du Road Shanghai, 200042, China

TEL: +86 21 6232 5024/21 6232 5025/21 6232 5026/21 6232 5027 FAX: +86 21 6232 5023   **CHINA****Kunshan Zhanxu Electronics Co., Ltd.**




8 Floor Building 1 Jiayu International Plaza Chunhui Road, Kunshan City, Jiangsu Province, China

TEL: +86 512 5035 7819 FAX: +86 512 5035 7819   **CHINA****TianJin Ringbert Trading International Co.,Ltd**




Room 618, Hua Ying Mansion, Central Avenue, Airport Free Trade Zone, Tianjin, China

TEL: +86 22 8490 6916 FAX: +86 22 8725 0855   **CHINA****广州朗豪自动化科技有限公司**




广州市番禺区大石石北工业路丰晟工业园 G 栋二楼东

TEL: +86 20 8737 0307 FAX: +86 20 8737 0501   **CHINA****GUANGZHOU GO-WELL ELECTRICAL TECHNOLOGY CO.,LTD.**




2001, Huaxin Center, 450 Huanshi East Rd, Guangzhou, Guangdong, 510075, China

TEL: +86 20 2226 3940 FAX: +86 20 2226 3947   **CHINA****北京豐裕聯恒科技有限公司**




北京市朝陽區望京東園四區綠地中心 504 室

TEL: +86 10 84364529 /139 1058 7268 FAX: +86 10 84364529   **CHINA****深圳海诺伟德科技有限公司**




深圳市宝安区西乡大道 288 号宝源华丰总部经济大厦 B 座 303 室

TEL: +86 755 2685 9975 FAX: +86 755 2685 9977   **CHINA****Capital Technology Co., Ltd.**

Room 1601-1603, TianLiao Commercial Building, TaoYuan Street, XiLi, NanShan District, Shenzhen, China

TEL: +86 755 2783 7331 / 2302 9006 FAX: +86 755 230 76120   **CHINA****ARROW ELECTRONICS(SHENZHEN) CO., LTD.**

No 2,3/F, Changpin, Honghua Road, 99 Futian Free Trade Zone, Shenzhen, China

TEL: +86 755 8250 5310 FAX: +86 755 8250 5311   

CHINA

深圳市湘聚实业有限公司
 深圳市南山区沿山路胜大厦 A 栋三楼
 TEL: +86 755 2689 1790 FAX: +86 755 2689 1794 COOLING UPS SERVO

CHINA

深圳市凯聚亚科技有限公司
 深圳市龙岗区布吉镇南湾街道平吉大道金科路积嘉科技园 1 栋 501 室
 TEL: +86 755 2682 2456 FAX: +86 755 2682 2456 COOLING UPS SERVO

CHINA

东莞浩洋自动化设备有限公司
 东莞市宏图路高盛科技大厦 1101 室
 TEL: +86 769 89300113 FAX: +86 769 81181876 COOLING UPS SERVO

CHINA

Nanjing SADE Auto Equipment Co.,Ltd
 Rm,105,NO.29 Yudao Street, Baixia District
 TEL: +86 25 84890636/84891028/84490028
 FAX: +86 25 84890635 COOLING UPS SERVO

CHINA

深圳市富兴洋电机有限公司
 深圳市南山区西丽街道丽山路 65 号民企科技园第二栋厂房五楼西 506
 TEL: +86 755 2510 8789/2510 9856 FAX: +86 755 2510 1686 COOLING UPS SERVO

CHINA

深圳市前海睿德科技有限公司
 深圳宝安区西乡大道华源商务中心 713 室
 TEL: +86 755 2332 7569 FAX: +86 755 2791 8003 COOLING UPS SERVO

CHINA

深圳市时大羊科技有限公司
 深圳市福田区彩田路彩福大厦鸿福阁 A 座 12F
 TEL: +86 755 8318 0960 FAX: +86 755 8318 0961 COOLING UPS SERVO

CHINA

深圳市智荣机械科技有限公司
 深圳市宝安区沙井先科隆大厦 703-711 号
 TEL: +86 755 6111 1040 FAX: +86 755 6111 1036 COOLING UPS SERVO

CHINA

深圳市瑞丰实业发展有限公司
 深圳市龙华新区大浪河背工业区振滢泰工业园 1 栋 1 楼
 TEL: +86 755 2811 8565 FAX: +86 755 2811 6101 COOLING UPS SERVO

CHINA

山善（深圳）贸易有限公司
 深圳市福田区彩田路 7018 号新浩壹都 A 座 6 楼
 TEL: +86 755 8280 5000 FAX: +86 755 82805100 COOLING UPS SERVO

CHINA

成都正豪自动化设备有限公司
 成都市青羊区光华东三路 486 号中铁西城三栋 1108 室
 TEL: +86 28 8778 3845 FAX: +86 28 8778 3847 COOLING UPS SERVO

CZECH REPUBLIC

ENIKA spol. s.r.o.
 Vlkov 33, Nova Paka Pod Harfou 933/86 190 00 Praha 9, Czech Republic
 TEL: +420 493 77 33 11 FAX: +420 493 77 33 22 COOLING SERVO

DENMARK

SKAARUP IMCASE A/S
 Lejrevej 31 3500 Vaerloese, Denmark
 TEL: +45 4485 0485 FAX: +45 4494 9989 COOLING SERVO

EGYPT

PONT EGYPT
 4, Aiashwal Street, End of Al Haram Street Giza, Egypt
 TEL: +20 2 374 18247 FAX: +202 374 18108 SERVO

EGYPT

EGYELECTRONICS
 58 ABD EL HAMEID GOUDA AL SAHAR ST SECTION SIX ZAHRAA EL MAADI
 TEL: +202 275 15108 FAX: +202 275 15108 COOLING

FINLAND

WEXON OY
 TURVEKUJA 6 FI-00700 HELSINKI
 TEL: +358 9 290 440 FAX: +358 9 290 44100 COOLING SERVO

FRANCE

A.E. SERVICE
 Parc Activite du Cret de Mars, 42150 La Ricamarie, France
 TEL: +33 04 77 41 21 47 FAX: +33 04 77 25 80 29 COOLING

FRANCE

AUBE Electronique
 ZAC de l'écluse des Marots 10800 Saint Thibault, France
 TEL: +33 03 25 40 44 41 FAX: +33 03 25 40 44 42 COOLING SERVO

GERMANY

Avnet EMG GmbH
 Gaussstrasse 10 31275 Lehrte, Germany
 TEL: +49 5132 5099 0 FAX: +49 5132 5099 76 COOLING

GERMANY

Telemeter Electronic GmbH
 Joseph-Gaensler-strasse 10, 86609 Donauwoerth, Germany
 TEL: +49 906 706 93 0 FAX: +49 906 706 93 50 COOLING SERVO

GERMANY

R.T.A. Deutschland GmbH
 Bublitzer Strasse 34 40599 Duesseldorf, Germany
 TEL: +49 211 74966860 FAX: +49 211 74966866 SERVO

GERMANY

MJC Elektrotechnik GmbH
 Am Gielbrunnen 17 67304 Eisenberg, Germany
 TEL: +49 0 63 51/1 27 67 0 FAX: +49 0 63 51/1 27 67 50 COOLING SERVO

GERMANY

Tronic One GmbH
 Mühlweg 2b, 82054 Sauerlach, Germany
 TEL: +49 0 8104 90951-0 FAX: +49 0 8104 90951-69 COOLING

HONGKONG

Melco Industrial Supplies Co., Ltd.
 10th Floor, Bilion Plaza 2, No.10 Cheung Yue Street, Cheung Sha Wan, Kowloon, Hong Kong
 TEL: +852 2386 7881 FAX: +852 2387 4057 COOLING UPS SERVO

HUNGARY

Q-TECH Engineering Ltd. & Co.
 Batthyany Lajos U. 8., 1161 Budapest, Hungary
 TEL: +36 14 053 338 FAX: +36 14 059 134 SERVO

INDIA

System Controls Technology Solutions Pvt.Ltd.
 #73/B, Keonics Industrial Estate, Electronic City, Bangalore - 560 100 India
 TEL: +91 80 40820400,144,405,406 FAX: +91 80 40820426 COOLING SERVO

INDIA

Flexible Automation System PVT. LTD
 #412, Prestige Centre Point Cunningham Road, Bangalore -560 052, India
 TEL: +91 80 2228 2427 FAX: +91 80 2225 7108 COOLING SERVO

INDIA

Strategi Automation Solutions Pvt. Ltd.
 Plot No.25/B, Doddanakundi Iddl Estate, Off Whitefield Road Behind Graphite India,
 Bangalore-560048, India
 TEL: +91 80 32489798 FAX: +91 80 41163047 COOLING SERVO

INDIA

Arrow Electronics India Pvt. Ltd.
 Fortune Summit, Ward No.174, 6th Sector, HSR Layout, Roopena Agrahara,
 Bangalore - 560 068, India
 TEL: +91 80 41353800 FAX: +91 80 41127784 COOLING

INDIA

Global Technocrats Inc.
 302, Gupta Tower II, G-33, Vikas Puri, New Delhi-110018, India
 TEL: +91 12 42386745 FAX: +91 11 28542884 COOLING SERVO

INDIA

ITP Electronics Pvt. Ltd.
 27, Electronic City, Sector-18, Gurgaon-122016 (Haryana), India
 TEL: +91 12 44 013646 COOLING

INDONESIA

PT. DIFA DAYA SELARAS
 Jln. Palmerah Utara II No.5 Jakarta 11480, Indonesia
 TEL: +62 21 536 64151 FAX: +62 21 536 52576 COOLING UPS

INDONESIA

PT. Prasindo Agung Mandiri
 Jl. Alfallah No.18C, Cililitan Besar Raya-Jakarta 13650, Indonesia
 TEL: +62 8088 8802 COOLING SERVO

ISRAEL

CONLOG Ltd
 Intergreen Building, POB 3265, 17 Hamefalsim Street., 49130 Petah Tikva, Israel
 TEL: +972 3 9269555 FAX: +972 3 9233367 COOLING SERVO

ISRAEL

ELECTRONDART
 9 Ben Zion Gellis Street, 4927909 Petah Tikva, Israel
 TEL: +972 39314447 FAX: +972 39302867 COOLING SERVO

ISRAEL

Radion Engineering Co. Ltd.
 11 Ha'sivim St. P.O.B 7111 Petah-Tikvah 4959372 ISRAEL
 TEL: +972 3 9226688 FAX: +972 3 9226655 COOLING SERVO

ITALY**R.T.A. s.r.l.**

Frazione Divisa Via Enrico Mattei 27020 MARCIGNAGO (PV) Italy
TEL: +39 0382 929 855 FAX: +39 0382 929 150

COOLING SERVO

KOREA**HY TECH CO., LTD. (former HAN YANG CORP.)**

#1110 Renaissance Tower, 14, Manlijae-ro, Mapo-gu, Seoul, 04195, Korea
TEL: +82 2 713 4343 FAX: +82 2 713 4332

COOLING UPS SERVO

KOREA**SAMHWA YANGHENG CO., LTD.**

#1204, ACE High-end 3rd, 145, Gasan digital 1-ro, Geumcheon-gu, Seoul, 08506, Korea
TEL: +82 2 716 4763 FAX: +82 2 718 1873

COOLING UPS SERVO

KOREA**TPC Mechatronics Corp**

39, Gabmun 2-ro, Seo-gu, Incheon, 22849, Korea

TEL: +82 32 580 0008 FAX: +82 32 578 0786

COOLING UPS SERVO

KOREA**TELCOM INTERNATIONAL INC.**

3F, Telcom B/D, 76, Seocho-daero, Seocho-gu, Seoul, 06673, Korea

TEL: +82 2 3472 9449 FAX: +82 2 3471 9449

COOLING UPS SERVO

KOREA**INTERDEVICE Co., Ltd.**

Rm.1108, Ace Gwangmyeong Tower, 108, Haan-ro, Gwangmyeong-si, Gyeonggi-do, 14319, Korea

TEL: +82 2 897 7781 FAX: +82 2 6280 1117

COOLING UPS SERVO

KOREA**M.E.T**

46, Techno 11-ro, Yuseong-gu, Daejeon-si, 34036, Korea

TEL: +82 42 934 8257 FAX: +82 42 934 8260

COOLING UPS SERVO

LITHUANIA**INOBALT UAB**

VILHELMO BERBOMO STREET 10-310 92221 KLAIPEDA LITHUANIA

TEL: +370 6122 2499

COOLING SERVO

MALAYSIA**Flexible Automation System Sdn Bhd (Kuala Lumpur)**

60, Jalan USJ10/1B, 47620 UEP Subang Jaya, Selangor, Malaysia

TEL: +60 03 5633 1280 FAX: +60 03 5633 6613

COOLING

MALAYSIA**iMS Motion Solution (Penang) Sdn Bhd.**

312-E, Jalan Perak, 11600 Pulau Pinang, Malaysia.

TEL: +60 4 281 0678 FAX: +60 4 281 1218

COOLING SERVO

MALAYSIA**iMS Motion Solution (Johor) Sdn Bhd.**

No.9, Jalan Sasa 4, Taman Gaya, 81800 Ulu Tiram, Johor Bahru, Johor. Malaysia.

TEL: +60 7 863 5240 FAX: +60 7 863 7240

COOLING SERVO

MALAYSIA**QuadRep Malaysia Sdn Bhd**

570C 3rd Flr, Jalan Sultan Azlan Shah, Sungai Nibong, Penang 11900, Malaysia

TEL: +604 6581771 FAX: +604 6582771

COOLING UPS

MEXICO**Arrow Electronics, Inc.**

Please see locations at:

https://www.arrow.com/en/support/contact-support/find-an-arrow-office?country=MX_Offices

TEL: +1 855 326 4757

COOLING

MEXICO**Digi-Key Electronics**

TEL: +1 888 598 1476 FAX: +1 218 681 3380

COOLING

MEXICO**Marsh Electronics, Inc.**

TEL: +1 800 926 2774 FAX: +1 414 771 2847

COOLING

MEXICO**Mouser Electronics, Inc.**

Av. Moctezuma #3515 Local 5-C Col. Ciudad del Sol, Zapopan, Jalisco, CP 45050, Mexico

TEL: +52 33 3612 7301 FAX: +52 33 3612 7356

COOLING

MEXICO**Newark Electronics Corporation**

Av. Aviacion No. 5051 Nave 18, Parque Industrial city Park, Zapopan, Jalisco, CP 45019, Mexico

TEL: +1 800 463 9275 FAX: +1 800 800 9275

COOLING UPS SERVO

MEXICO**PUI (Projections Unlimited, Inc.)**

TEL: +1 800 551 4405 FAX: +1 949 789 0626

COOLING

MEXICO**Sager Electronics, Inc.**

TEL: +1 800 724 3780 FAX: +1 972 312 1823

COOLING SERVO

MEXICO**Tonar Industries**

TEL: +1 800 568 6627 FAX: +1 973 586 2075

COOLING

MEXICO**Carlberg and Associates**

451 E. Juanita Ave Suite 1, Mesa, AZ 85204, U.S.A.

TEL: +1 480 377 0760 FAX: +1 480 377 0767

COOLING

MEXICO**Fastech México SA de CV**

Ontario #1791-9 Col. Colomos Providencia Guadalajara, Jalisco, México CP 44660

TEL: +52 33 36 41 50 51/52

COOLING

MEXICO**Westrep**

400 N Tustin Avenue Suite #130 Santa Ana, CA 92705, U.S.A.

TEL: +1 714 527 2822 FAX: +1 714 527 3868

COOLING

MOROCCO**MEST**

6 rue de Provins, 20310 Casablanca, Morocco

TEL: +212 22 30 28 24 FAX: +212 22 30 14 90

COOLING UPS SERVO

POLAND**SEMICON Sp. Z o.o.**

Ul. Zwolenska 43/43A, 04-761 Warszawa, Poland

TEL: +48 22 615 73 71 FAX: +48 22 615 73 75

COOLING SERVO

PORTUGAL**PROSISTAV**

Zona Industrial da Mota, RUA 7 Lte 6 A, Gafanha da Encarnacao, 3830-527 Ilhavo, Portugal

TEL: +351 234 397 210 FAX: +351 234 397 219

COOLING SERVO

RUSSIA**WEXON 000**

192236, St. Petersburg Sofiyskaya ul., 14 Russia

TEL: +7 812 3266503 FAX: +7 812 3266504

COOLING SERVO

SAUDI ARABIA**DESERT DIAMOND EST. FOR TRADING**

PO BOX 29869 RIYADH-11467 KINGDOM OF SAUDI ARABIA

TEL: +966 11 2791588 FAX: +966 11 2931254

COOLING

SINGAPORE**NEMATRON CONTROL SYSTEM (ASIA) PTE LTD**

209 Henderson Road #01-06 Henderson Ind. Park Singapore 159551

TEL: +65 6278 3289 FAX: +65 6278 8372

COOLING UPS SERVO

SINGAPORE**QuadRep Marketing (S) Pte Ltd.**

9 Kaki Bukit Road 1, #03-09 Eunoss Technolink, Singapore 415938

TEL: +65 6346 1933 FAX: +65 6346 1911

COOLING UPS

SINGAPORE**PBA Systems Pte Ltd**

505 Yishun Industrial Park A, PBA Building, Singapore 768733

TEL: +65 6576 6767 FAX: +65 6576 6768

COOLING SERVO

SINGAPORE**I-Motion Pte Ltd**

Blk 15, #05-04 Toa Payoh Lor 8 Braddell Tech, Singapore 319262

TEL: +65 6841 7877 FAX: +65 6280 3655

COOLING SERVO

SINGAPORE**Tokai Electronics (S) Pte. Ltd.**

10 Anson Road #14-17 International Plaza Singapore 079903

TEL: +65 6224 7796

COOLING

SPAIN**DIODE Espana S.A.**

C/ Sierra de Gudarrama 3 Edificio Europa Escalera B, 2ª Planta 28830 San Fernando de Henares Madrid

TEL: +34 91 456 81 00 FAX: +34 91 358 06 07

COOLING SERVO

SPAIN**RTA IBERICA**

Callegeneralitat 22, 1º 3º, 8850 Gava (Barcelona), Spain

TEL: +34 936 388 805 FAX: +34 936 334 595

COOLING SERVO

SWEDEN**OEM Electronics**

PO BOX 1025 57329 TRANAS SWEDEN

TEL: +46 75 242 45 00 FAX: +46 75 242 45 09

COOLING


SWEDEN**OEM Motor AB**

BOX 1011 57328 TRANAS SWEDEN



TEL: +46 75 242 41 00 FAX: +46 76 242 41 19

SERVO


SWITZERLAND**Telemeter Electronic GmbH**

Romanshonerstrasse 117, CH-8280 Kreuzlingen, Switzerland
TEL: +41 71 699 20 20 FAX: +41 71 699 20 24 




SWITZERLAND**PowerParts AG**

Schareggstrasse 1, Postfach 108, CH-5506, Mägenwil, Switzerland
TEL: +41 62 896 7080 FAX: +41 62 896 7088  

TAIWAN**YUNG HO CO., LTD.**

5th Floor, 36. Kuan Chien Road, Taipei, Taiwan
TEL: +886 2 2311 6561 FAX: +886 2 2311 6469   


TAIWAN**QuadRep Electronics [Taiwan] Ltd.**

17F, No.79, Hsin Tai Wu Road, Sec.1, Hsi-Chih, New Taipei City, Taiwan
TEL: +886 2 2698 9933 FAX: +886 2 2698 9911   




TAIWAN**SUNHOLY TRADING CO., LTD.**

3F, No.78, Sec 2, Chang An E. Road, Taipei, 104, Taiwan
TEL: +886 2 2516 6060 FAX: +886 2 2508 0323   



TAIWAN**GULF ELECTRICS CO., LTD.**

No.7, Ln. 133, Gushan 1st Rd., Gushan Dist., Kaohsiung City 804, Taiwan
TEL: +886 7 521 9966 FAX: +886 7 521 3535 

THAILAND**ID MART CO.,LTD**

72 Ramintra Road, Minburi, Minburi, Bangkok 10510, Thailand
TEL: +66 2 517 0688 FAX: +66 2 517 0863   

THAILAND**PMC TECHNOLOGY CO., LTD.**

10 Ruamchitt Road, Thanonnakornchaisri, Dusit, Bangkok 10300, Thailand
TEL: +66 2 667 4501 FAX: +66 2 667 4506   


THAILAND**Flexible Automation System Co.,Ltd**

1509 Soi Ladprao 94 (Srivara Town in Town) Wangthonglang, Bangkok 10310, Thailand
TEL: +66 2 530 7900 7 FAX: +66 2 530 7908 9   


THAILAND**QR Electronics (Thailand) Co., Ltd.**

167 Boromratchachonnanee Rd. Kweang. Bangbomru, Khet. Bangplad, Bangkok 10700 Thailand,
TEL: +66 81 371 1722 FAX: +66 2 886 6515  


THAILAND**NITTA (Thailand) Co., Ltd.**

382/7 Moo 1, Bangsaothong, Bangsaothong, Samutprakarn 10540 Thailand
TEL: +66 2 181 7684 FAX: +66 2 181 7685 

THE NETHERLANDS**M.C. TECHNOLOGY**

Buys Ballotstraat 31, IND. Area Zandhorst II, 1704 SK Heerhugowaard, the Netherlands
TEL: +31 (0)72 5717821 FAX: +31 (0)72 5718461 


THE NETHERLANDS**TOP-ELECTRONICS BV**

Postbus 439, 2920 AK Krimpen aan den IJssel, the Netherlands
TEL: +31 180 580 492 


TURKEY**NETA NAKIS VE MAKINA SANAYI TICARET**

AKPINAR MAHALLESİ SÜHEDA CADDESİ, No : 2 SANCAKTEPE 34885 ISTANBUL TURKEY
TEL: +90 2163390452  



TURKEY**LINTEK MAKINA ELEKTRONIK TEKNOLOJILERI**

1348 SOK. N°3/3F Teknik Malzeme, Is Merkezi, Yenisehir, 35110 Izmir, Turkey
TEL: +90 232 457 294 FAX: +90 232 457 295 



TURKEY**ROBOSAN OTOMAYSON SAN.TIC.LTD**

BAHCELIEVLER MAH. SERPINTI SOK. NO:6 PENDIK 34893 ISTANBUL TURKEY
TEL: +90 216 340 39 70 FAX: +90 216 340 39 64 


TURKEY**ST TEKNO LTD STI**

Mehmet Akif Mah. Recep Tayyip Erdoğan Blv. No:84Dulkadiroğlu / Kahramanmaraş TURKEY
TEL: +90 344 236 0900 FAX: +90 344 236 0706  


UNITED KINGDOM**EAO LTD.**

Albert Drive, Burgess Hill, West Sussex RH15 9TN, U.K.
TEL: +44 01444 23 6000 FAX: +44 01444 23 6641  


UNITED KINGDOM**ERIKS**

Crakley Way Paertree Industrial Park Dudley, West Midlands DY2 0UW, U.K.
TEL: +44 01384246230 FAX: +44 01384246240 


UNITED KINGDOM**INTELLIGENT AUTOMATION SYSTEMS Ltd**

16 Wood Stock Avenue, UB12QN Southall, Middlesex, U.K.
TEL: +44 20 8432 2749 FAX: +44 20 8432 3051 

USA**Arrow Electronics, Inc.**

9201 E Dry Creek Road, Centennial, CO 80112
Please see other locations at;
https://www.arrow.com/en/support/contact-support/find-an-arrow-office?country=US_Offices
TEL: +1 855 326 4757 


USA**Digi-Key Electronics**

701 Brooks Avenue South, Thief River Falls, MN 56701 U.S.A.
TEL: +1 800 344 4539 FAX: +1 218 681 3380 




USA**Marsh Electronics, Inc.**

1563 South 101st Street, Milwaukee, WI 53214, U.S.A.
Please see other locations at;
<https://www.marshelectronics.com/contact.php>
TEL: +1 800 926 2774 FAX: +1 414 771 2847 


USA**Mouser Electronics, Inc.**

1000 North Main Street, Mansfield, TX 76063, U.S.A.
TEL: +1 800 346 6873 FAX: +1 817 804 3899 



USA**Newark Electronics Corporation**

300 S. Riverside Plaza, Suite 2200, Chicago, IL 60606, U.S.A.
TEL: +1 800 463 9275 FAX: +1 888 551 4801   

USA**PUI (Projections Unlimited, Inc.)**

15311 Barranca Parkway, Irvine, CA 92618, U.S.A.
Please see other locations at;
<http://www.gopui.com/contacts.htm>
TEL: +1 800 551 4405 FAX: +1 949 789 0626 


USA**Sager Electronics, Inc.**

19 Leona Drive, Middleborough, MA 02346, U.S.A.
Please see other locations at;
<http://www.sager.com/about-us/locations/>
TEL: +1 800 724 3780 FAX: +1 508 947 0869  


USA**Tonar Industries**

419 Franklin Avenue, Rockaway, NJ 07866, U.S.A.
Please see other locations at;
<http://www.tonar.com/contact>
TEL: +1 800 568 6627 FAX: +1 973 586 2075 


USA**AID Electronics, Inc.**

8951 Cypress Waters Blvd., Suite 160, Dallas, TX 75019, U.S.A.
TEL: +1 972-478-8700 FAX: +1 972 478 8707 


USA**Carlberg and Associates**

451 E. Juanita Ave Suite 1, Mesa, AZ 85204, U.S.A.
TEL: +1 480 377 0760 FAX: +1 480 377 0767 


USA**Centech, Inc.**

4025 NE Lakewood Way, Suite 290, Lee's Summit, MO 64064-1703, U.S.A.
TEL: +1 816 795 9019 FAX: +1 816 795 0070 

USA**Epic Technical Sales, Inc.**

9400 SW Barnes Road, Suite 305, Portland OR 97225, U.S.A.
TEL: +1 503 292 7922 FAX: +1 503 292 7903 

USA**ExisQCI, Inc.**


1570 The Alameda Suite #150, San Jose, CA 95126, U.S.A.
TEL: +1 408 944 4600 FAX: +1 408 321 3200 

USA**Jappe Company**

29 Northgate Rd., Ipswich, MA 01938, U.S.A.
TEL: +1 781 245 9359 


USA

Marathon Technical Associates

1631 ROCK SPRINGS ROAD, PMB 355, APOPKA, FL 32712, U.S.A.
TEL: +1 954 648 2844 


USA

Northport Engineering, Inc.

1355 Mendota Heights Road, Suite 130, Mendota Heights, MN 55120, U.S.A.
TEL: +1 651 457 8000 FAX: +1 651 457 5603 


USA

Pinnacle Marketing, Inc.

2805 Spring Forest Road, Suite 101, Raleigh, NC 27616-1900, U.S.A.
TEL: +1 888 764 7640 FAX: +1 888 764 7641 


USA

Straube Associates

7970 South Sheridan Blvd. Ste. C, Westminster, CO 80003, U.S.A.
TEL: +1 303 426 0890 FAX: +1 303 426 0896 


USA

Synergy Sales INC

16 Hemlock Dr., Neptune, NJ 07753, U.S.A.
TEL: +1 908 489 7764 FAX: +1 609 716 0932 


USA

Tech-Tron Sales, Inc

1305 Remington Road, Suite K, Schaumburg, IL 60173, U.S.A.
TEL: +1 847 843 7530 FAX: +1 847 843 0339 


USA

My Digital Link, Inc.

Rochester, NY 14609, U.S.A.
TEL: +1 585 288 7002 


USA

Westrep

400 N Tustin Avenue Suite #130 Santa Ana, CA 92705, U.S.A.
TEL: +1 714 527 2822 FAX: +1 714 527 3868 


USA

SHEPHERD CONTROLS & ASS., INC.

203 S. Jupiter Road, Suite A Allen, TX 75002, U.S.A.
Please see other locations at;
<http://www.shepherdcontrols.com/>
TEL: +1 972 727 7300 FAX: +1 972 727 7363 


USA

KIM CONTROLS, INC.

10045 Davenport St. Minneapolis, MN 55449, U.S.A.
TEL: +1 763 780 2991 FAX: +1 763 780 9449 


USA

IOWA FLUID POWER

1610 Blairs Ferry Road NE, Cedar Rapids, IA 52402, U.S.A.
Please see other locations at;
<http://www.iowafuid.com/>
TEL: +1 800 333 7004 FAX: +1 319 395 7027 


USA

AUTOMATION PROCESS & CONTROLS (IL)

6323 North Avondale Suite 246, Chicago, IL 60631, U.S.A.
Please see other locations at;
<http://www.apc-inc.com/>
TEL: +1 773 763 8090 FAX: +1 773 467 0152 


USA

MARSHALL WOLF AUTOMATION

923 South Main Street, Algonquin, IL 60102, U.S.A.
TEL: +1 800 325 9653 FAX: +1 847 658 0960 


USA

ENGINEERING ADVANTAGE INC.

S84 W 19234 Enterprise Drive, Muskego, WI 53150, U.S.A.
TEL: +1 262 971 1717 FAX: +1 262 971 1710 


USA

IN-POSITION TECHNOLOGIES

7403 W. Boston Street Chandler, AZ 85226, U.S.A.
TEL: +1 480 893 8086 FAX: +1 877 478 3242 


USA

TECHREP COMPONENTS, INC.

25332 Narbonne Avenue, #160 Lomita, CA 90717, U.S.A.
TEL: +1 310 539 9070 FAX: +1 310 539 0439 


USA

Bay Advanced Technologies, LLC

1715 East Newport Circle Santa Ana, CA 92705, U.S.A.
TEL: +1 657 622 2060 FAX: +1 657 622 2070 


USA

Provoast Automation

1171 N. Red Gum Street Anaheim, CA 92806, U.S.A.
TEL: +1 714 996 9417 FAX: +1 714 996 9418 


USA

Bay Advanced Technologies, LLC

8100 Central Avenue Newark, CA 94560-3449, U.S.A.
TEL: +1 510 857 0900 FAX: +1 510 857 1400 


USA

EASTERN INDUSTRIAL AUTOMATION

7096 South Willow Street Manchester, NH 03103, U.S.A.
TEL: +1 603 645 6885 FAX: +1 603 668 1451 


USA

INDUSTRIAL AUTOMATION & MOTION INC.

4530 William Penn Highway #395 Murrysville, PA 15668, U.S.A.
TEL: +1 412 965 9956 FAX: +1 412 245 1509 


USA

NORTHEAST MOTION, INC.

20 Thurber Blvd. Unit #C Smithfield, RI 02917, U.S.A.
TEL: +1 401 231 4441 FAX: +1 401 231 6785 


USA

TRILINE AUTOMATION CORP.

250 Summit Point Drive Henrietta, NY 14467, U.S.A.
TEL: +1 585 321 9620 FAX: +1 585 321 9628 


USA

CPU AUTOMATION

164 Westford Road, Unit 3 Tyngsboro, MA 01879, U.S.A.
TEL: +1 978 226 1633 FAX: +1 978 226 1634 


USA

SADDLE BROOK CONTROLS

PO BOX 881 280 N Midland Avenue Saddle Brook, NJ 07663, U.S.A.
TEL: +1 201 794 9588 


USA

DELTA SIGMA AUTOMATION

2125 Barrett Park Dr. Suite 110 Kennesaw, GA 30144, U.S.A.
TEL: +1 770 975 3992 FAX: +1 770 874 0087 


USA

CAROLINA MOTION CONTROLS, INC.

1200 Woodruff Road, Suite H27 Greenville, SC 29607, U.S.A.
TEL: +1 864 458 9988 FAX: +1 864 288 2190 


USA

ADVANCED MACHINE AUTOMATION

1024 11TH Court West Birmingham, AL 35204, U.S.A.
TEL: +1 205 581 1234 FAX: +1 205 581 1222 

USA

ADAMS AIR & HYDRAULICS

7204 EAST Adamo Drive Tampa, FL 33619, U.S.A.
TEL: +1 813 626 4128 FAX: +1 813 626 7808 


USA

INT'L POWER ASSOCIATION

7940 Silverton Avenue, #105 San Diego, CA 92126, U.S.A.
TEL: +1 858 271 5996 


USA

GJ Associates, Inc.

11 Shepherd Hill Road Bedford, NH 03110, U.S.A.
TEL: +1 603 644 3677 FAX: +1 978 461 0155 


USA

Baldwin technologies

4801 Telsa Dr., Suite G Bowie, MD 20715, U.S.A.
TEL: +1 301 860 1930 FAX: +1 301 860 1937 



USA

Power Support Engineering, Inc.

18932 Adams Country Way Lutz, FL 33559, U.S.A.
TEL: +1 813 909 1199 




VIETNAM

QuadRep Representative Office (HCM)

No.88/4, Street No.18, Hiep Binh Chanh Ward, Thu Duc District, HCM City, S.R. Vietnam
TEL: +84 8 3726 2981 FAX: +84 8 3726 2985   

VIETNAM

QuadRep Representative Office (Hanoi)

No 699, Ngo Gia Tu Str, Long Bien District, Hanoi, Vietnam
TEL: +84 9 3648 4282   

VIETNAM

ARKTAKE VIET NAM JOINT STOCK COMPANY

132 Vong Street, Phuong Liet Sub-dist, Thanh Xuan District, Hanoi, Vietnam
TEL: +84 4 3767 9428 FAX: +84 4 3767 9450 **COOLING** **UPS**

VIETNAM

DPCVietNam TRADING & SERVICE CO., LTD

27 Block B, Truong Son Street, Ward 15, District 10, HCMC, Vietnam
TEL: +84 8 3977 1926 FAX: +84 8 3977 1935 **COOLING** **UPS** **SERVO**

VIETNAM

NHON CORPORATION

40, 11 Street, Him Lam Residential Area, Binh Hung, Binh Chanh, Hcmc, Vitenam
TEL: +84 8 5431 9266 FAX: +84 8 5431 9269 **COOLING** **UPS**

г.Минск www.fotorele.net www.tiristor.by email minsk17@tut.by тел.+375447584780

- Ideal fan sizes selected for various control panels, automated machines, and power supply units.
- You can purchase everything necessary in one order without the need for searching for the fan peripherals. It makes fan replacements easy.
- Delivered in one package, it simplifies storage and maintenance.

Set configuration items

- Fan**
- + Finger guards**
- + Plug cord**
- + Screws**
(with flat washer and spring washer)
- + Hex nuts**
- + Instruction manual**

One order includes everything needed for operation.

*Package image

Plug cords are compliant with Electrical Appliance and Material Safety Law, but not UL/CSA certified.

г. Минск www.fotorele.net www.tiristor.by email minsk17@tut.by тел. +375447584780



■Eco Products

SANYO DENKI's ECO PRODUCTS are designed with the concept of lessening impact on the environment in the process from product development to waste. The product units and packaging materials are designed for reduced environmental impact. We have established our own assessment criteria on the environmental impacts applicable to all processes, ranging from design to manufacture. Those products that satisfy the criteria are accredited as ECO PRODUCTS.

	https://www.sanyodenki.com
SANYO DENKI CO., LTD. 3-33-1 Minami-Otsuka, Toshima-ku, Tokyo 170-8451, Japan	TEL: +81 3 5927 1020
SANYO DENKI EUROPE SA. P.A. Paris Nord II, 48 Allée des Erables-VILLEPINTE, BP.57286, F-95958 ROISSY CDG Cedex, France	TEL: +33 1 48 63 26 61
SANYO DENKI AMERICA, INC. 468 Amapola Avenue Torrance, CA 90501, U.S.A.	TEL: +1 310 783 5400
SANYO DENKI SHANGHAI CO., LTD. Room 2106-2110, Bldg A, Far East International Plaza, No.319, Xianxia Road, Shanghai, 200051, China	TEL: +86 21 6235 1107
Beijing Branch Room1222, Tower B, Beijing COFCO Plaza, No.8 Jianguomennei Dajie, Dong Cheng District, Beijing 100005 China	TEL: +86 10 6522 2160
SANYO DENKI (H.K.) CO., LIMITED Room 2305, 23/F, South Tower, Concordia Plaza, 1 Science Museum Road, TST East, Kowloon, Hong Kong	TEL: +852 2312 6250
SANYO DENKI TAIWAN CO., LTD. N-711, 7F, Chia Hsin 2nd Bldg., No.96, Sec.2, Zhongshan N. Rd., Taipei 10449, Taiwan	TEL: +886 2 2511 3938
SANYO DENKI SINGAPORE PTE. LTD. 988 Toa Payoh North, #04-08, Singapore 319002	TEL: +65 6223 1071
Indonesia Representative Office Summitmas II 4th Floor, Jl. Jend. Sudirman Kav.61-62, Jakarta 12190, Indonesia	TEL: + 62 21 252 3202
SANYO DENKI GERMANY GmbH Frankfurter Strasse 80-82, 65760 Eschborn, Germany	TEL: +49 6196 76113 0
SANYO DENKI KOREA CO., LTD. 15F, KDB Building, 372, Hangang-daero, Yongsan-gu, Seoul, 04323, Korea	TEL: +82 2 773 5623
Busan Branch 8F, CJ Korea Express Bldg., 119, Daegyo-ro, Jung-gu, Busan, 48943, Korea	TEL: +82 51 796 5151
SANYO DENKI (Shenzhen) CO., LTD. 2F 02-11, Shenzhen International Chamber of Commerce Tower, No.168 Fuhua 3 Road, Futian District, Shenzhen, 518048 China	TEL: +86 755 3337 3868
Tianjin Branch Room AB 16th Floor TEDA Building, No. 256 Jie Fang Nan Road, Hexi District, Tianjin 300042 China	TEL: +86 22 2320 1186
Chengdu Branch Room2105B, Block A, Times Plaza, 2 Zongfu Road, Jinjiang District, Chengdu, 610016 China	TEL: +86 28 8661 6901
SANYO DENKI (THAILAND) CO., LTD. 388 Exchange Tower, 25th Floor, Unit 2501-1, Sukhumvit Road, Klongtoey, Klongtoey, Bangkok 10110 Thailand	TEL: +66 2261 8670
SANYO DENKI INDIA PRIVATE LIMITED #14 (Old No.6/3), Avenue Road, Nungambakkam, Chennai - 600034, Tamil Nadu, India	TEL: +91 44 420 384 72