

ВЕНТИЛЯТОР XINRUILIAN Минск т.80447584780 viber
email minsk17@tut.by tel.+375 29 758 47 80 МТС www.fotorele.net www.tiristor.by
каталог, описание, вентилятор, xinruilian, технические, характеристики, datasheet, параметры, маркировка, габариты, фото, даташит, аналог, замена, Беларусь

[вентилятор, XINRUILIAN, купить, продажа, в наличии, Минск, Беларусь](#)



[где и как купить в Минске?](#)

Сделать заявку или запрос можно по телефону факсу, Вайберу или по электронной почте

Просим Вас указывать в заявке:

- название предприятия, факс, контактный телефон, контактное лицо;
- полное наименование и количество товара;
- возможность замены или аналоги;

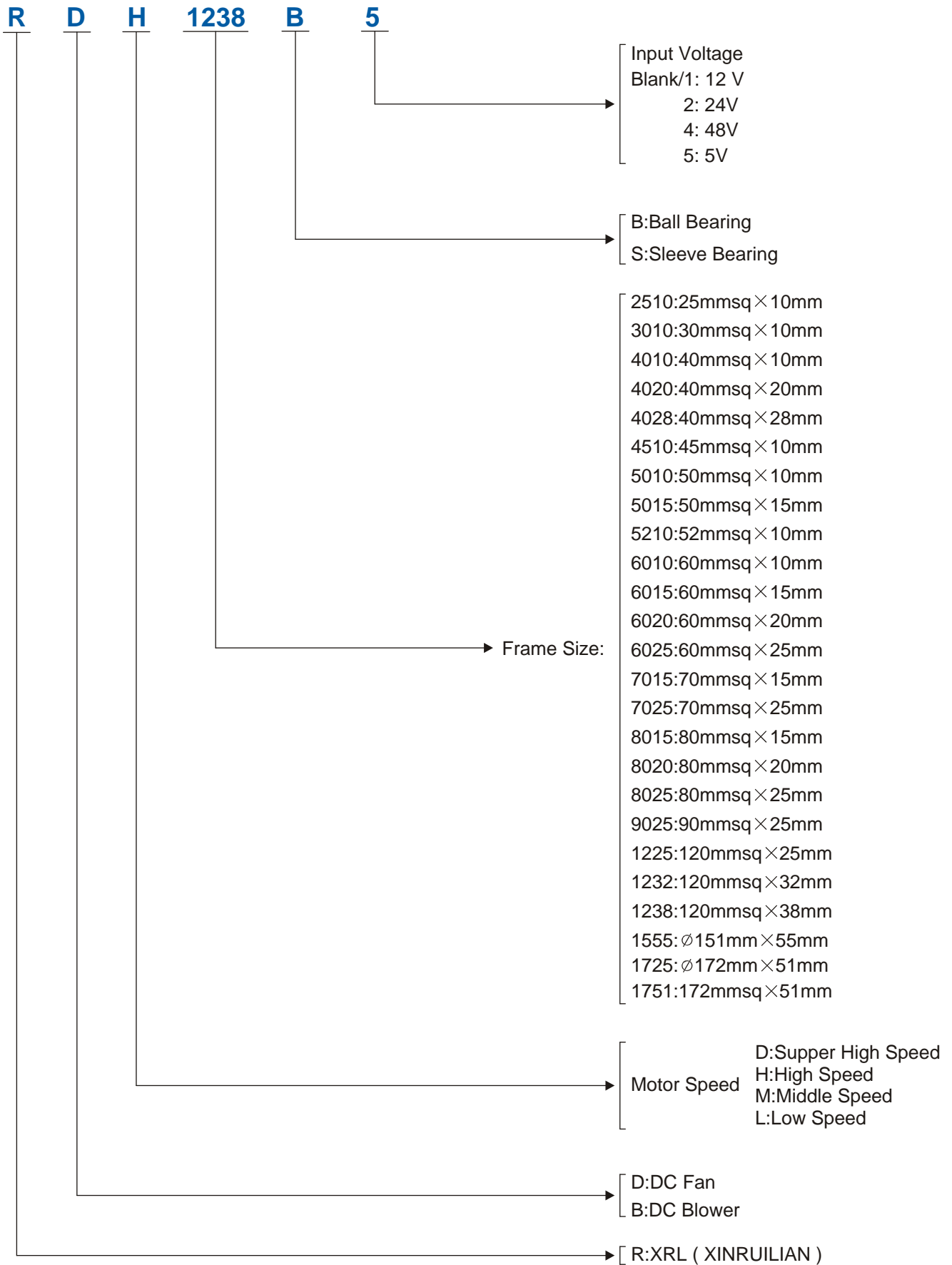
Каталог вентиляторов

[вентилятор, XINRUILIAN купить в Беларуси](#)

Table of Contents

MODEL NUMBER	FRAME SIZE	PAGE
DC2510	25×25×10mm	1
DC3010	30×30×10mm	2
DC4010	40×40×10mm	3
DC4020	40×40×20mm	4
DC4028	40×40×28mm	5
DC4510	45×45×10mm	6
DC5010	50×50×10mm	7
DC5015	50×50×15mm	8
DC5210	52×52×10mm	9
DC6010	60×60×10mm	10
DC6015	60×60×15mm	11
DC6020B	60×60×20mm	12
DC6020H	60×60×20mm	13
DC6025	60×60×25mm	14
DC7015	70×70×15mm	15
DC7025	70×70×25mm	16
DC8015	80×80×15mm	17
DC8020	80×80×20mm	18
DC8025F	80×80×25mm	19
DC8025H	80×80×25mm	20
DC8025H (High Air Flow)	80×80×25mm	21
DC8025N	80×80×25mm	22
DC9025	92×92×25mm	23
DC1225H	120×120×25mm	24
DC1225L	120×120×25mm	25
DC1232	120×120×32mm	26
DC1238	120×120×38mm	27
DC1555-3	∅151×55mm	28
DC1555-5	∅151×55mm	29
DC1725-3	∅172×51mm	30
DC1725-5	∅172×51mm	31
DC1751-3	172×172×51mm	32
DC1751-5	172×172×51mm	33
DC5015 Blower	50×50×15mm	34
DC8025 Blower	80×80×25mm	35
DC9733 Blower	97×94×33mm	36
DC1232 Blower	120×120×32mm	37
Crystal Fan		38
Framless Fan		39
Housing Type		40
LED Fan		41

Part Numbering System



General Specification - DC Fans

1.0 SCOPE

This specification defines the basic requirements for a DC Brushless Fan manufactured by XINRUILIAN ELECTRONICS (SHENZHEN) CO. LTD. Wherever if any discrepancy to be found between this General Specification and the individual Data Sheet attached to samples, information provided in the later should be final.

2.0 MECHANICAL

2.1 Dimensions: This device shall have the dimensions as shown in the outline styling drawing attached to samples.

(All measurements in MM)

2.2 Material:

2.2.1 Motor: Brushless DC with permanent magnet motor.

2.2.2 Impeller: Thermoplastic in black color, rated UL94V-0.

2.2.3 Housing: Thermoplastic in black color, rated UL94V-0. or aluminium alloy, spray painted black.

(As shown per drawing)

2.2.4 Bearing System: Sleeve Bearing or Ball Bearing (See data sheet)

2.3 Leads: UL Type, certified for use at rated temperature and voltage, normally +Red/-Black

(Different type connectors available on request.)

2.4 Weight & Packing: As shown per Data Sheet submitted with samples

3.0 ELECTRICAL

3.1 Rated Voltage & Power Input: As specified in Data Sheet.

3.2 Tolerances: Speed +/-10%; Current +20%

3.3 Dielectric Strength: Applied a 1500VAC, 1mA for one second between housing and lead wire(+)

3.4 Insulation Resistance: More than 500M Ohm between internal stator and lead wire(+) measured by 500VDC.

3.5 Protection: Polarity protected. (Other options available on request)

4.0 ENVIRONMENTAL

Unless otherwise specified, when subject to the following conditions, devices within this specification shall have no change in appearance, physical dimensions or functionality.

4.1 Operating Temperature: -10°C to +70°C (RH35%~85%)

4.2 Storage Temperature: -40°C to +80°C (RH35%~85%)

4.3 Acoustical: This device shall have a maximum noise level as specified in Data Sheet submitted with samples, measured 1 Meter away from intake side of fan in free air.

4.4 Life Expectancy: When operating at 25°C, this fan shall have a life expectancy of 30,000 hours and 50,000 hours respectively for Sleeve Bearing and Ball Bearing systems.

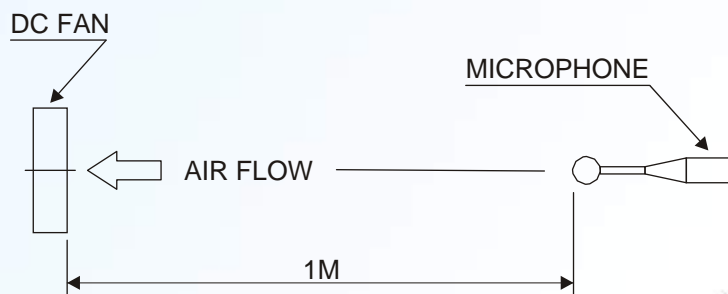
5.0 DEFINITIONS of CHARACTERISTICS

5.1 Power Input and Speed

Measured after continuous 30 minutes operation at rated voltage in free air at an ambient temperature of 25°C.

5.2 Noise Level

Measured in a semi-anechoic chamber with background noise level below 18+/-1dBA. The fan to be running in free air with microphone at a distance of one (1) meter from the intake side of fan.



5.3 Air Flow

Measured by a double chamber. The values are recorded when the fan speed is stabilized at rated voltage and 0 static pressure.

5.4 Static Pressure

Measured at rated voltage with 0 air flow at an ambient temperature of 25 °C.

6.0 SAFETY APPROVALS

All Xinruilian DC fans are approved and licensed for selling by UL/CUL; TUV; CSA; CE.

Quality System & Control Plan

As an ISO9002 supplier certified as from June, 1997, one of our key policy to make each and everyone happy to do business with us. We strongly believe that Action speaks louder than words. Our first commitment to customer is: **PROMISE WHAT WE CAN DO and DO WHAT WE PROMISED.**

RELIABILITY

Two methods will be used in monitoring reliability during the manufacturing phase.

1 Early Life Test

This is used as a means of process control aimed at identifying any latent manufacturing problems and determining the effectiveness of burn-in. Every week, minimum 5 samples will be picked up at random from one of the production lines for burned in at 50°C +/-5°C for 24 hours.

2 On-going Reliability Demonstration

This is a longer-term program aimed at providing data on continuous basis to demonstrate the reliability of product. Ten units per week are randomly collected from one production line for burn-in for 168 hours at 50°C +/-5°C. Units are monitored daily and tested. Failed units will be analyzed and corrective actions taken where necessary.

INCOMING QUALITY CONTROL (IQC)

Inspection of incoming materials includes visual and mechanical inspection, electrical test and other appropriate testing depending on the types of component. Testing procedure will be in accordance with XINRUILIAN procedure QP-QA-04. Accepted lots will be transferred to store and records will be kept for tracibility.

PROCESS INSPECTION & AUDIT

Process Inspection is responsible by IPQC and carried out at selected points in the process. Variable charts will be made use for controlling the process parameters. When processes are found to be out of control, cause investigation and corrective action will be initiated and monitored. For details see XINRUILIAN procedure QP-QA-05.

QA AUDIT

All units from a continuous production will be audited into lots in accordance with the MIL-STD 105D, General level II, AQL:0.65%, C=0. When lots are established, samples will be randomly drawn from each lot for testing. Rejected lot will be re-inspected or re-screened by production through electrical testing or mechanical inspection as appropriate.

WORK INSTRUCTIONS

Our Production Engineers are responsible to ensure that clear and completely documented instructions are developed and maintained for use in manufacturing. These shall specify procedures and standards for the performance of activities that would be adversely affected by the lack of such procedures.

CORRECTIVE ACTION

When discrepancies are found from customer feedback, internal product / process quality control and audit, corrective action will be initiated and carried out. Details of the corrective action procedure are given in the XINRUILIAN Procedure QP-MK-03 and QP-QA-03. Regular meetings are held between associated departments to review statistical data, quality situation. Initiate and implement improvement target and schedule.

EQUIPMENT CALIBRATION

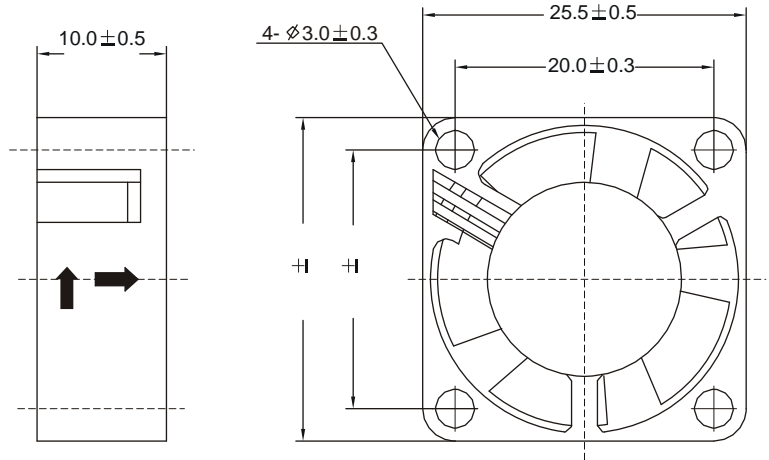
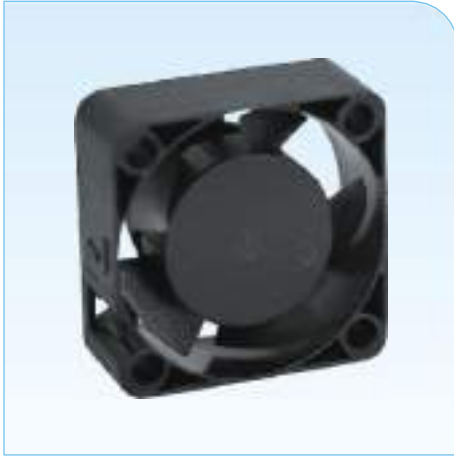
All mechanical measuring instruments, tools, test equipments will be calibrated at a specific interval of time by Production Engineering to ensure accuracy of measurement.

There are two ways of equipment calibration: External calibration is to be taken care of by a certified equipment calibration center. Internal calibration is to be taken care of by our certified engineers. In both cases, records will be kept which show the equipment location, calibration date due data and other details.

TRAINING

Prior to allocation of jobs, all new operators and inspectors will join the orientation program to understand the company, it's product and QC system. New operators and inspectors are trained to the companies' workmanship standards as necessary.

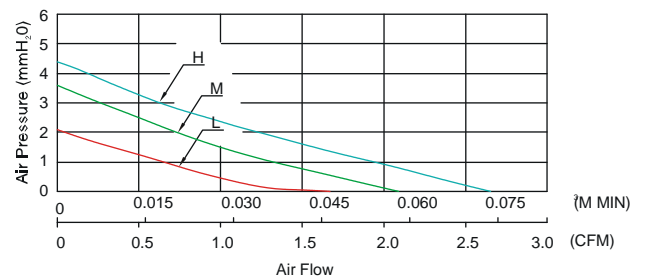
25x25x10mm



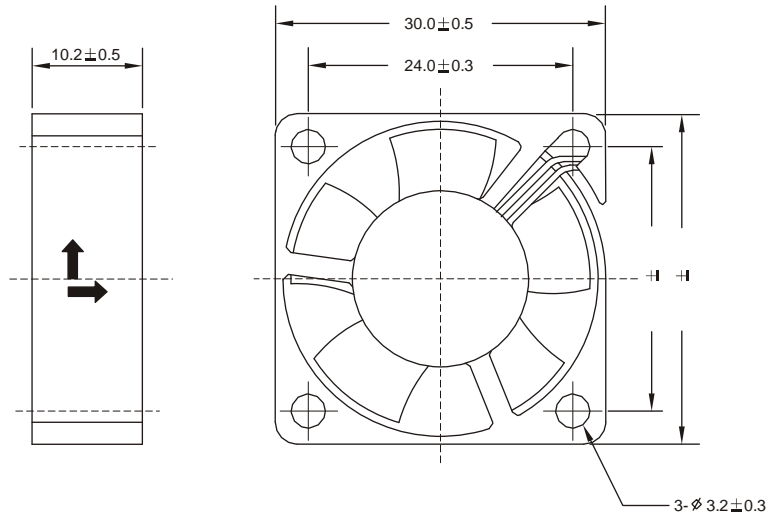
Listed Model	Bearing System	Housing Type	Rated Voltage	Startup Voltage	Rated Current	Speed	Air Flow	Air Flow	Static Pressure	Noise Level	Motor Protection					Weight Gram	Packing	
			VDC	VDC	A	RPM	CFM	CMM	mmH ₂ O	dBA	Resistance Protected	Auto Start	Thermal Speed Control	Alarm Output	Tachometer Output		Qty./Ctn Purchase	G.W./Ctn Kgs
RDH2510S5	Sleeve	N	5	3.5	0.16	13000	2.67	0.076	4.28	27.95	♦	♦			♦	7	600	5.0
RDM2510S5				3.5	0.12	10000	2.06	0.058	3.63	23.18	♦	♦			♦			
RDL2510S5				3.5	0.08	8000	1.65	0.047	2.03	20.36	♦	♦			♦			
RDH2510B5	Ball			3.5	0.16	13000	2.67	0.076	4.28	27.95	♦	♦			♦			
RDM2510B5				3.5	0.12	10000	2.06	0.058	3.63	23.18	♦	♦			♦			
RDL2510B5				3.5	0.08	8000	1.65	0.047	2.03	20.36	♦	♦			♦			
RDH2510S	Sleeve	N	12	6.0	0.10	13000	2.67	0.076	4.28	27.95	♦	♦			♦	7	600	5.0
RDM2510S				6.0	0.08	10000	2.06	0.058	3.63	23.18	♦	♦			♦			
RDL2510S				6.0	0.06	8000	1.65	0.047	2.03	20.36	♦	♦			♦			
RDH2510B	Ball			6.0	0.10	13000	2.67	0.076	4.28	27.95	♦	♦			♦			
RDM2510B				6.0	0.08	10000	2.06	0.058	3.63	23.18	♦	♦			♦			
RDL2510B				6.0	0.06	8000	1.65	0.047	2.03	20.36	♦	♦			♦			

SAFETY APPROVALS (安規認證)

	CE	UL	CUL	TUV
5V	♦	♦	♦	♦
12V	♦	♦	♦	♦



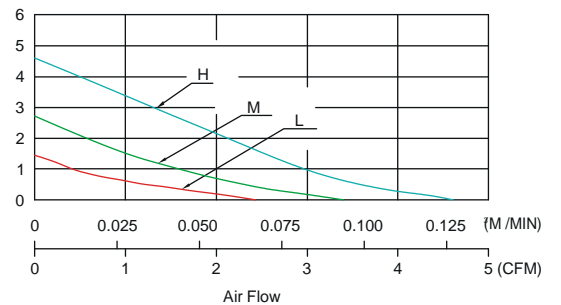
30x30x10mm



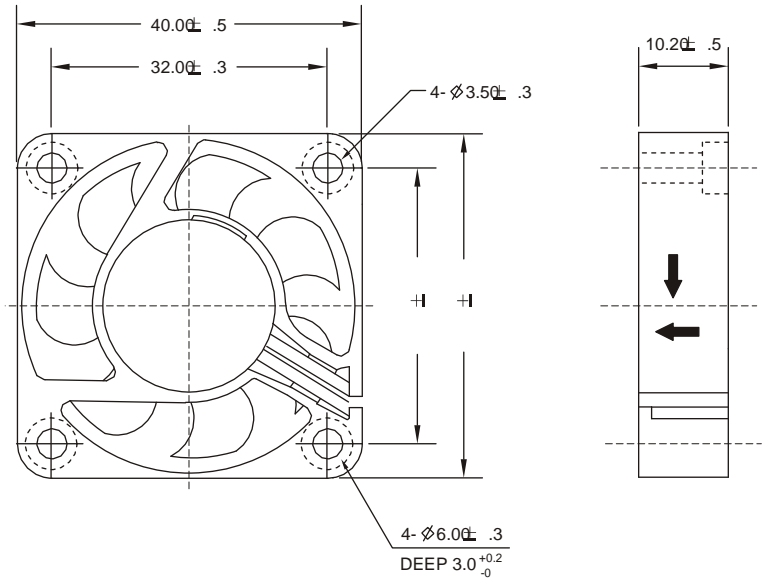
Listed Model	Bearing System	Housing Type	Rated Voltage	Startup Voltage	Rated Current	Speed	Air Flow	Air Flow	Static Pressure	Noise Level	Motor Protection					Weight Gram	Packing	
			VDC	VDC	A	RPM	CFM	CMM	mmH ₂ O	dBA	Resistance Protected	Auto Start	Thermal Speed Control	Alarm Output	Tachometer Output		Qty./Ctn Purchase	G.W./Ctn Kgs
RDH3010S5	Sleeve	B	5	3.5	0.20	11000	4.47	0.135	4.46	30.05	♦	♦			♦	8.5	600	5.9
RDM3010S5				3.5	0.14	9000	3.43	0.097	2.70	24.10	♦	♦			♦			
RDL3010S5				3.5	0.12	7000	2.63	0.069	1.71	21.24	♦	♦			♦			
RDH3010B5	Ball			3.5	0.20	11000	4.47	0.134	4.46	30.05	♦	♦			♦			
RDM3010B5				3.5	0.14	9000	3.34	0.097	2.70	24.10	♦	♦			♦			
RDL3010B5				3.5	0.12	7000	2.63	0.069	1.71	21.24	♦	♦			♦			
RDH3010S	Sleeve	12	12	6.0	0.10	11000	4.47	0.135	4.46	30.05	♦	♦			♦			
RDM3010S				6.0	0.09	9000	3.43	0.097	2.70	24.10	♦	♦			♦			
RDL3010S				6.0	0.06	7000	2.63	0.069	1.71	21.24	♦	♦			♦			
RDH3010B	Ball			6.0	0.10	11000	4.47	0.135	4.46	30.05	♦	♦			♦			
RDM3010B				6.0	0.09	9000	3.43	0.097	2.70	24.10	♦	♦			♦			
RDL3010B				6.0	0.06	7000	2.63	0.689	1.71	21.24	♦	♦			♦			

SAFETY APPROVALS (安規認證)

	CE	UL	CUL	TUV
5V	♦	♦	♦	♦
12V	♦	♦	♦	♦



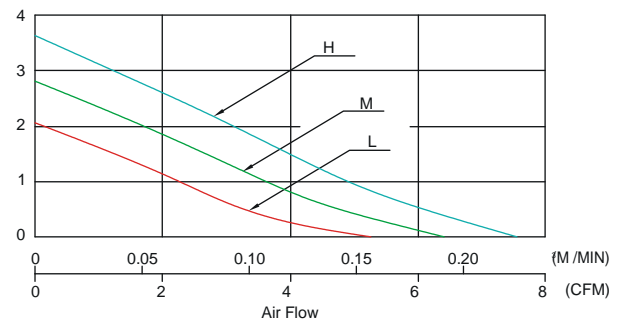
40x40x10mm



Listed Model	Bearing System	Housing Type	Rated Voltage	Startup Voltage	Rated Current	Speed	Air Flow	Air Flow	Static Pressure	Noise Level	Motor Protection					Weight Gram	Packing	
			VDC	VDC	A	RPM	CFM	CMM	mmH ₂ O	dBA	Resistance Protected	Auto Start	Thermal Speed Control	Alarm Output	Tachometer Output		Qty./Ctn Purchase	G.W./Ctn Kgs
RDH4010S5	Sleeve	N	5	3.5	0.20	7000	7.67	0.217	3.77	30.30	♦	♦		♦	♦	16	600	11.8
RDM4010S5				3.5	0.16	6000	6.45	0.182	2.83	26.57	♦	♦		♦	♦			
RDL4010S5				3.5	0.13	5000	5.29	0.149	2.04	22.69	♦	♦		♦	♦			
RDH4010B5	Ball			3.5	0.20	7000	7.67	0.217	3.77	30.30	♦	♦		♦	♦			
RDM4010B5				3.5	0.16	6000	6.45	0.182	2.83	26.57	♦	♦		♦	♦			
RDL4010B5				3.5	0.13	5000	5.29	0.149	2.04	22.69	♦	♦		♦	♦			
RDH4010S	Sleeve	12	6.0	0.09	7000	7.67	0.217	3.77	30.30	♦	♦		♦	♦				
RDM4010S			6.0	0.07	6000	6.45	0.182	2.83	26.57	♦	♦		♦	♦				
RDL4010S			7.0	0.06	5000	5.29	0.149	2.04	22.69	♦	♦		♦	♦				
RDH4010B	Ball		6.0	0.07	7000	7.67	0.217	3.77	30.30	♦	♦		♦	♦				
RDM4010B			6.0	0.06	6000	6.45	0.182	2.83	26.57	♦	♦		♦	♦				
RDL4010B			7.0	0.05	5000	5.29	0.149	2.04	22.69	♦	♦		♦	♦				

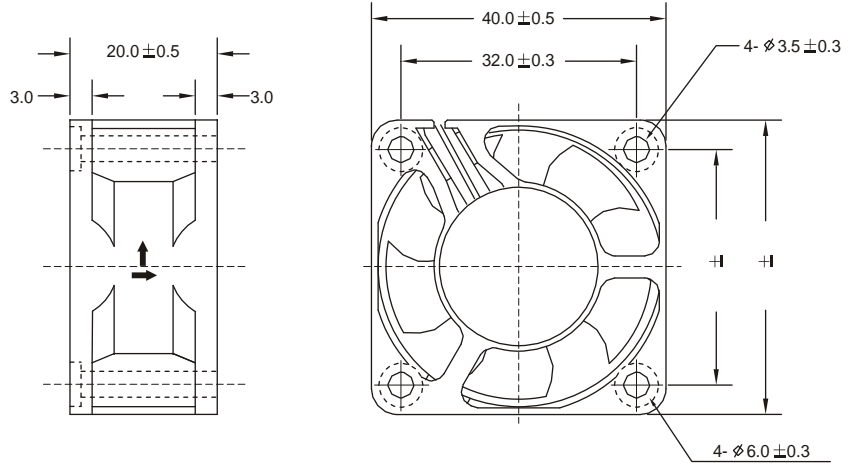
SAFETY APPROVALS (安規認證)

	CE	UL	CUL	TUV	CSA
5V	♦	♦	♦	♦	
12V	♦	♦	♦	♦	♦



40x40x20mm

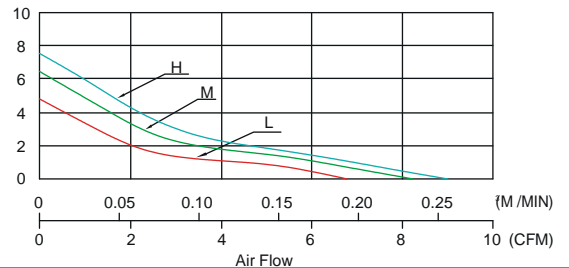
L&I s.r.o., Na Kopečku 141, 541 01 Trutnov, CZ - tel.: 499 829640, mobil: 605 567231, www.L-i.cz, info@L-i.cz



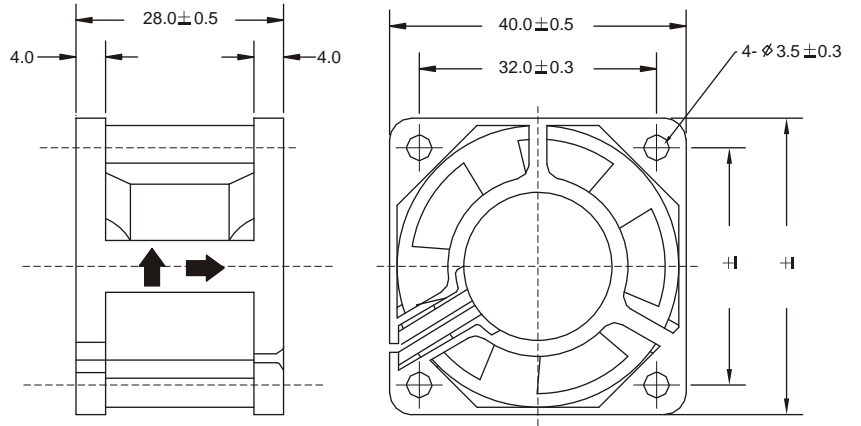
Listed Model	Bearing System	Housing Type	Rated Voltage	Startup Voltage	Rated Current	Speed	Air Flow	Air Flow	Static Pressure	Noise Level	Motor Protection					Weight Gram	Packing	
			VDC	VDC	A	RPM	CFM	CMM	mmH ₂ O	dBa	Resistance Protected	Auto Start	Thermal Speed Control	Alarm Output	Tachometer Output		Qty./Ctn Purchase	G.W./Ctn Kgs
RDH4020S5	Sleeve	N	5	3.5	0.40	8000	9.11	0.258	6.90	31.40	♦	♦	♦	♦	♦	29	400	13.1
RDH4020S5				3.5	0.28	7500	8.59	0.243	6.18	29.62	♦	♦	♦	♦	♦			
RDM4020S5				3.5	0.25	6200	6.99	0.197	4.29	25.15	♦	♦	♦	♦	♦			
RDL4020S5				3.5	0.20	5000	5.53	0.156	2.74	21.23	♦	♦	♦	♦	♦			
RDH4020B5	Ball			3.5	0.40	8000	9.11	0.258	6.90	31.40	♦	♦	♦	♦	♦			
RDH4020B5				3.5	0.28	7500	8.59	0.243	6.18	29.62	♦	♦	♦	♦	♦			
RDM4020B5				3.5	0.25	6200	6.99	0.197	4.29	25.15	♦	♦	♦	♦	♦			
RDL4020B5				3.5	0.20	5000	5.53	0.156	2.74	21.23	♦	♦	♦	♦	♦			
RDH4020S	Sleeve	12	6.0	0.12	8000	9.11	0.258	6.90	31.40	♦	♦	♦	♦	♦				
RDH4020S			6.0	0.12	7500	8.59	0.243	6.18	29.62	♦	♦	♦	♦	♦				
RDM4020S			6.0	0.10	6200	6.99	0.197	4.29	25.15	♦	♦	♦	♦	♦				
RDL4020S			6.0	0.06	5000	5.53	0.156	2.74	21.23	♦	♦	♦	♦	♦				
RDH4020B	Ball		6.0	0.12	8000	9.11	0.258	6.90	31.40	♦	♦	♦	♦	♦				
RDH4020B			6.0	0.12	7500	8.59	0.243	6.18	29.62	♦	♦	♦	♦	♦				
RDM4020B			6.0	0.10	6200	6.99	0.197	4.29	25.15	♦	♦	♦	♦	♦				
RDL4020B			6.0	0.06	5000	5.53	0.156	2.74	21.23	♦	♦	♦	♦	♦				
RDH4020S2	Sleeve	24	12.0	0.07	8000	9.11	0.258	6.90	31.40	♦	♦	♦	♦	♦				
RDH4020S2			12.0	0.06	7500	8.59	0.243	6.18	29.62	♦	♦	♦	♦	♦				
RDM4020S2			12.0	0.05	6200	6.99	0.197	4.29	25.15	♦	♦	♦	♦	♦				
RDL4020S2			12.0	0.04	5000	5.53	0.156	2.74	21.23	♦	♦	♦	♦	♦				
RDH4020B2	Ball		12.0	0.07	8000	9.11	0.258	6.90	31.40	♦	♦	♦	♦	♦				
RDH4020B2			12.0	0.06	7500	8.59	0.243	6.18	29.62	♦	♦	♦	♦	♦				
RDM4020B2			12.0	0.05	6200	6.99	0.197	4.29	25.15	♦	♦	♦	♦	♦				
RDL4020B2			12.0	0.04	5000	5.53	0.156	2.74	21.23	♦	♦	♦	♦	♦				

SAFETY APPROVALS (安規認證)

	CE	UL	CUL	TUV	CSA
5V	♦	♦	♦	♦	
12V	♦	♦	♦	♦	♦
24V					



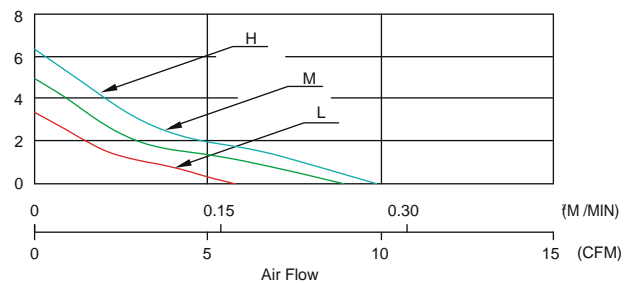
40x40x28mm



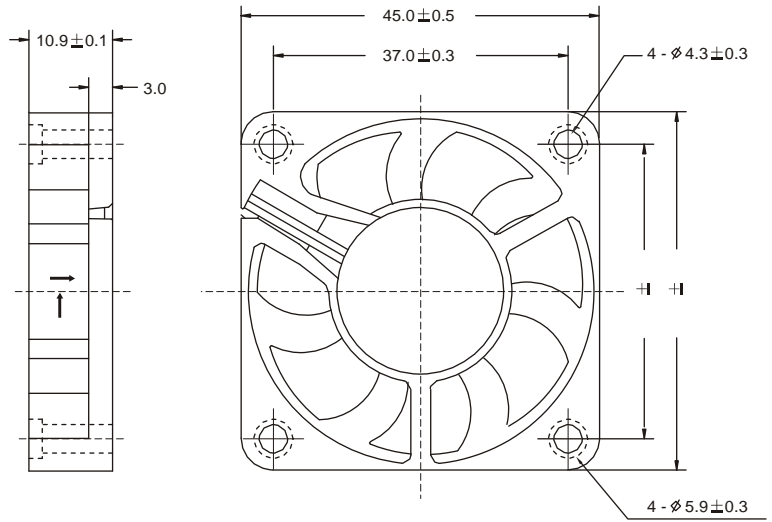
Listed Model	Bearing System	Housing Type	Rated Voltage	Startup Voltage	Rated Current	Speed	Air Flow	Air Flow	Static Pressure	Noise Level	Motor Protection					Weight Gram	Packing	
			VDC	VDC	A	RPM	CFM	CMM	mmH ₂ O	dB(A)	Resistance Protected	Auto Start	Thermal Speed Control	Alarm Output	Tachometer Output		Qty./Ctn Purchase	G.W./Ctn Kgs
RDH4028S5	Sleeve	B	5	3.5	0.35	7500	9.42	0.266	6.05	27.43	♦	♦	♦	♦	♦	36	400	15.4
RDM4028S5				3.5	0.30	6500	8.26	0.233	4.71	24.33	♦	♦	♦	♦	♦			
RDL4028S5				3.5	0.22	5000	6.12	0.173	3.50	20.30	♦	♦	♦	♦	♦			
RDH4028B5	Ball			3.5	0.35	7500	9.42	0.266	6.05	27.43	♦	♦	♦	♦	♦			
RDM4028B5				3.5	0.30	6500	8.26	0.233	4.71	24.33	♦	♦	♦	♦	♦			
RDL4028B5				3.5	0.22	5000	6.12	0.173	3.50	20.30	♦	♦	♦	♦	♦			
RDH4028S	Sleeve		12	6.0	0.20	8800	11.25	0.318	8.19	31.44	♦	♦	♦	♦	♦			
RDM4028S				6.0	0.18	8000	10.14	0.287	6.87	29.09	♦	♦	♦	♦	♦			
RDL4028S				6.0	0.12	5000	6.12	0.177	3.50	20.30	♦	♦	♦	♦	♦			
RDH4028B	Ball			6.0	0.20	8800	11.25	0.318	8.19	21.44	♦	♦	♦	♦	♦			
RDM4028B				6.0	0.18	8000	10.14	0.287	6.87	29.09	♦	♦	♦	♦	♦			
RDL4028B				6.0	0.12	5000	6.12	0.177	3.50	20.30	♦	♦	♦	♦	♦			
RDH4028S2	Sleeve	24	12.0	0.16	8800	11.25	0.318	8.19	31.44	♦	♦	♦	♦	♦				
RDM4028S2				0.12	8000	10.14	0.287	6.87	29.09	♦	♦	♦	♦	♦				
RDL4028S2				0.09	5000	6.12	0.173	3.50	20.30	♦	♦	♦	♦	♦				
RDH4028B2	Ball			0.16	8800	11.25	0.318	8.19	31.44	♦	♦	♦	♦	♦				
RDM4028B2				0.12	8000	10.14	0.287	6.87	29.09	♦	♦	♦	♦	♦				
RDL4028B2				0.09	5000	6.12	0.173	3.50	20.30	♦	♦	♦	♦	♦				

SAFETY APPROVALS (安規認證)

	CE	UL	CUL	TUV
5V	♦	♦	♦	♦
12V	♦	♦	♦	♦
24V	♦	♦	♦	♦



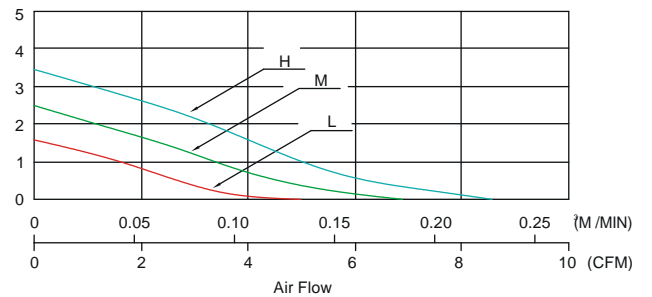
45x45x10mm



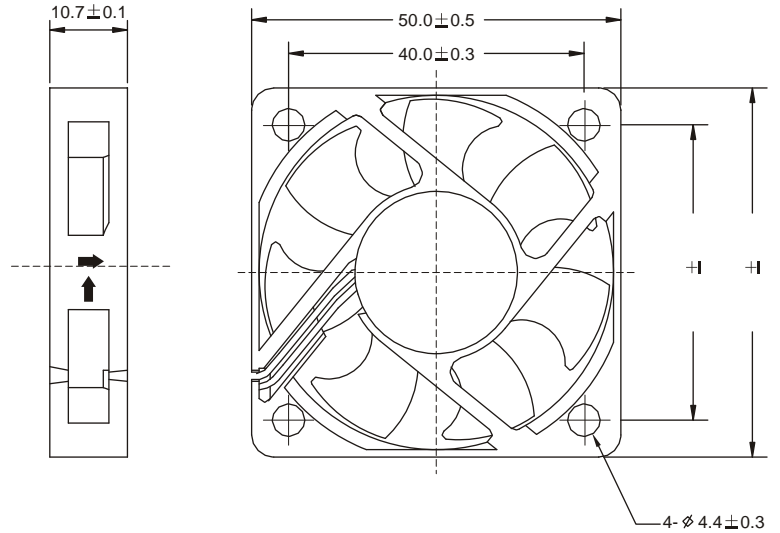
Listed Model	Bearing System	Housing Type	Rated Voltage	Startup Voltage	Rated Current	Speed	Air Flow	Air Flow	Static Pressure	Noise Level	Motor Protection					Weight Gram	Packing									
			VDC	VDC	A	RPM	CFM	CMM	mmH ₂ O	dBA	Resistance Protected	Auto Start	Thermal Speed Control	Alarm Output	Tachometer Output		Qty./Ctn Purchase	G.W./Ctn Kgs								
RDH4510S5	Sleeve	E	5	3.5	0.21	6000	8.30	0.235	3.60	30.04	♦	♦		♦	♦	15	600	11.8								
RDM4510S5											♦	♦		♦	♦											
RDL4510S5											♦	♦		♦	♦											
RDH4510B5	Ball										5	3.5	0.16	5000	6.86				0.194	2.54	25.71	♦	♦		♦	♦
RDM4510B5																						♦	♦		♦	♦
RDL4510B5																						♦	♦		♦	♦
RDH4510S	Sleeve	12	6.0	0.10	6000	8.30	0.235	3.60	30.04	♦						♦		♦				♦				
RDM4510S										♦						♦		♦				♦				
RDL4510S										♦						♦		♦				♦				
RDH4510B	Ball									12	6.0	0.10	6000	8.30	0.235	3.60	30.04	♦	♦		♦	♦				
RDM4510B																		♦	♦		♦	♦				
RDL4510B																		♦	♦		♦	♦				

SAFETY APPROVALS (安規認證)

	CE	UL	CUL	TUV
5V	♦	♦	♦	♦
12V	♦	♦	♦	♦



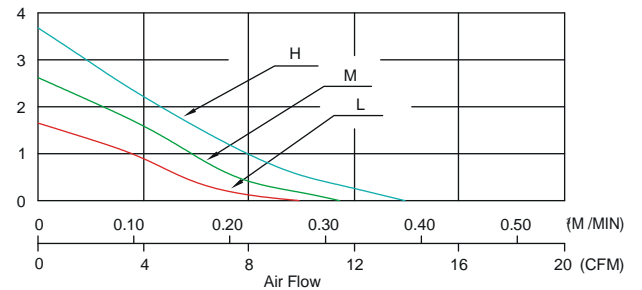
50x50x10mm



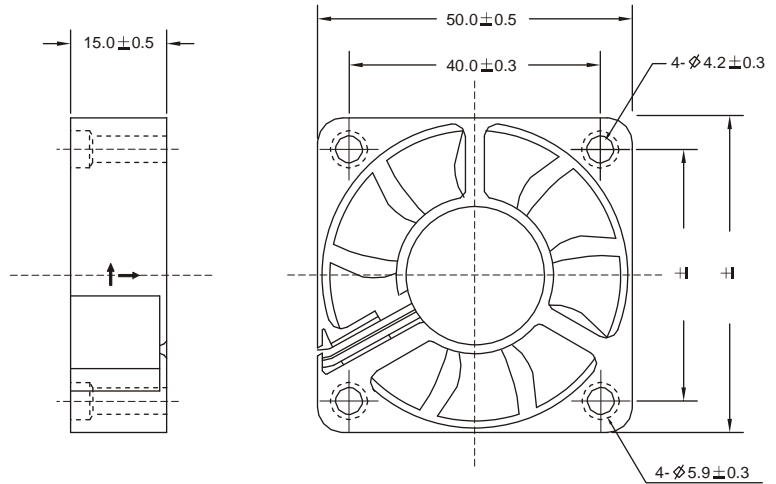
Listed Model	Bearing System	Housing Type	Rated Voltage	Startup Voltage	Rated Current	Speed	Air Flow	Air Flow	Static Pressure	Noise Level	Motor Protection					Weight Gram	Packing	
			VDC	VDC	A	RPM	CFM	CMM	mmH ₂ O	dBA	Resistance Protected	Auto Start	Thermal Speed Control	Alarm Output	Tachometer Output		Qty./Ctn Purchase	G.W./Ctn Kgs
RDH5010S5	Sleeve	H	5	3.5	0.30	5300	13.27	0.375	3.38	28.16	♦	♦		♦	♦	19	600	12.9
RDM5010S5				3.5	0.20	4500	11.02	0.312	2.53	24.06	♦	♦		♦	♦			
RDL5010S5				3.5	0.14	3500	8.69	0.246	1.67	20.32	♦	♦		♦	♦			
RDH5010B5	Ball			3.5	0.30	5300	7.76	0.217	3.77	30.30	♦	♦		♦	♦			
RDM5010B5				3.5	0.20	4500	6.45	0.182	2.83	26.57	♦	♦		♦	♦			
RDL5010B5				3.5	0.14	3500	5.29	0.149	2.04	22.69	♦	♦		♦	♦			
RDH5010S	Sleeve	12	6.0	0.16	5300	13.27	0.375	3.38	28.16	♦	♦		♦	♦				
RDM5010S			6.0	0.08	4500	11.02	0.312	2.53	24.06	♦	♦		♦	♦				
RDL5010S			7.0	0.07	3500	8.69	0.246	1.67	20.32	♦	♦		♦	♦				
RDH5010B	Ball		6.0	0.13	5300	7.67	0.217	3.77	30.30	♦	♦		♦	♦				
RDM5010B			6.0	0.07	4500	6.45	0.182	2.83	26.57	♦	♦		♦	♦				
RDL5010B			7.0	0.06	3500	5.29	0.149	2.04	22.69	♦	♦		♦	♦				

SAFETY APPROVALS (安規認證)

	CE	UL	CUL	TUV	CSA
5V	♦	♦	♦	♦	
12V	♦	♦	♦	♦	♦



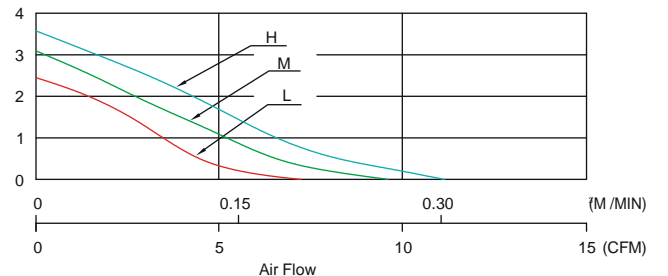
50x50x15mm



Listed Model	Bearing System	Housing Type	Rated Voltage	Startup Voltage	Rated Current	Speed	Air Flow	Air Flow	Static Pressure	Noise Level	Motor Protection					Weight Gram	Packing	
			VDC	VDC	A	RPM	CFM	CMM	mmH ₂ O	dBA	Resistance Protected	Auto Start	Thermal Speed Control	Alarm Output	Tachometer Output		Qty./Ctn Purchase	G.W./Ctn Kgs
RDH5015S5	Sleeve	B	5	3.5	0.33	5500	10.82	0.306	3.60	30.75	♦	♦		♦	♦	31	200	7.5
RDM5015S5				3.5	0.25	5000	9.79	0.277	3.02	28.21	♦	♦		♦	♦			
RDL5015S5				3.5	0.20	4500	8.92	0.253	2.56	25.95	♦	♦		♦	♦			
RDH5015B5	Ball			3.5	0.33	5500	10.82	0.306	3.60	30.75	♦	♦		♦	♦			
RDM5015B5				3.5	0.25	5000	9.79	0.277	3.02	28.21	♦	♦		♦	♦			
RDL5015B5				3.5	0.20	4500	8.92	0.253	2.56	25.95	♦	♦		♦	♦			
RDH5015S	Sleeve	12	6.0	0.16	5500	10.82	0.306	3.60	30.75	♦	♦		♦	♦				
RDM5015S			6.0	0.14	5000	9.79	0.277	3.02	28.21	♦	♦		♦	♦				
RDL5015S			6.0	0.12	4500	8.92	0.253	2.56	25.95	♦	♦		♦	♦				
RDH5015B	Ball		6.0	0.16	5500	10.82	0.306	3.60	30.75	♦	♦		♦	♦				
RDM5015B			6.0	0.14	5000	9.79	0.277	3.02	28.21	♦	♦		♦	♦				
RDL5015B			6.0	0.12	4500	8.92	0.253	2.56	25.95	♦	♦		♦	♦				

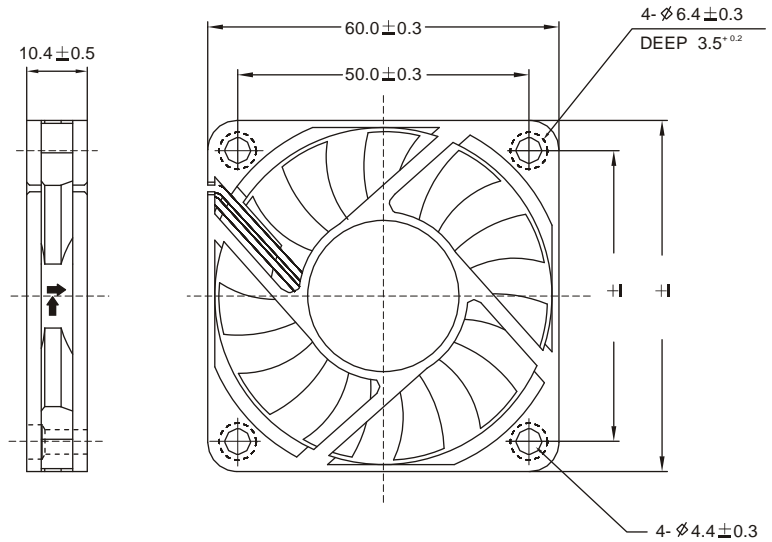
SAFETY APPROVALS (安規認證)

	CE	UL	CUL	TUV
5V				
12V	♦	♦	♦	♦



60x60x10mm

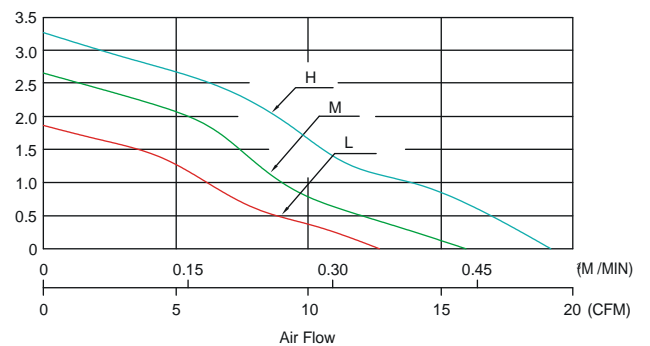
L&I s.r.o., Na Kopečku 141, 541 01 Trutnov, CZ - tel.: 499 829640, mobil: 605 567231, www.L-i.cz, info@L-i.cz



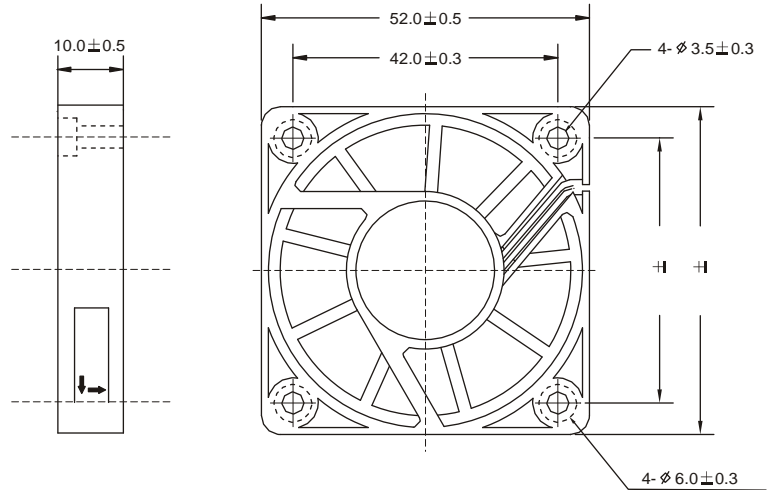
Listed Model	Bearing System	Housing Type	Rated Voltage	Startup Voltage	Rated Current	Speed	Air Flow	Air Flow	Static Pressure	Noise Level	Motor Protection					Weight Gram	Packing	
			VDC	VDC	A	RPM	CFM	CMM	mmH ₂ O	dB(A)	Resistance Protected	Auto Start	Thermal Speed Control	Alarm Output	Tachometer Output		Qty./Ctn Purchase	G.W./Ctn Kgs
RDH6010S5	Sleeve	H	5	3.5	0.35	4200	18.50	0.523	3.28	31.41	♦	♦		♦	♦	23	300	8.7
RDM6010S5				3.5	0.22	3600	15.94	0.451	2.53	27.69	♦	♦		♦	♦			
RDL6010S5				3.5	0.17	3000	13.22	0.374	1.84	23.83	♦	♦		♦	♦			
RDH6010B5	Ball			3.5	0.35	4200	18.50	0.523	3.28	31.41	♦	♦		♦	♦			
RDM6010B5				3.5	0.22	3600	15.94	0.451	2.53	27.69	♦	♦		♦	♦			
RDL6010B5				3.5	0.17	3000	13.22	0.374	1.84	23.83	♦	♦		♦	♦			
RDH6010S	Sleeve	12	12	6.0	0.22	4200	18.50	0.523	3.28	31.41	♦	♦		♦	♦			
RDM6010S				6.0	0.17	3600	15.94	0.451	2.53	27.69	♦	♦		♦	♦			
RDL6010S				6.0	0.14	3000	13.22	0.374	1.84	23.83	♦	♦		♦	♦			
RDH6010B	Ball			6.0	0.22	4200	18.50	0.523	3.28	31.41	♦	♦		♦	♦			
RDM6010B				6.0	0.17	3600	15.94	0.451	2.53	27.69	♦	♦		♦	♦			
RDL6010B				6.0	0.14	3000	13.22	0.374	1.84	23.83	♦	♦		♦	♦			
RDH6010S2	Sleeve	24	24	12.0	0.11	4200	18.50	0.523	3.28	31.41	♦	♦		♦	♦			
RDM6010S2				12.0	0.09	3600	15.94	0.451	2.53	27.69	♦	♦		♦	♦			
RDL6010S2				12.0	0.07	3000	13.22	0.374	1.84	23.83	♦	♦		♦	♦			
RDH6010B2	Ball			12.0	0.11	4200	18.50	0.523	3.28	31.41	♦	♦		♦	♦			
RDM6010B2				12.0	0.09	3600	15.94	0.451	2.53	27.69	♦	♦		♦	♦			
RDL6010B2				12.0	0.07	3000	13.22	0.374	1.84	23.83	♦	♦		♦	♦			

SAFETY APPROVALS (安規認證)

	CE	UL	CUL	TUV
5V				
12V	♦	♦	♦	♦
24V				



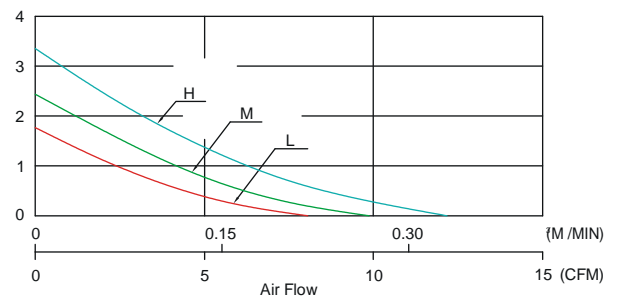
52x52x10mm



Listed Model	Bearing System	Housing Type	Rated Voltage	Startup Voltage	Rated Current	Speed	Air Flow	Air Flow	Static Pressure	Noise Level	Motor Protection					Weight Gram	Packing	
			VDC	VDC	A	RPM	CFM	CMM	mmH ₂ O	dBA	Resistance Protected	Auto Start	Thermal Speed Control	Alarm Output	Tachometer Output		Qty./Ctn Purchase	G.W./Ctn Kgs
RDH5210S	Sleeve	B	12	6.0	0.14	6000	12.68	0.359	3.48	35.24	♦	♦		♦	♦	22	600	14.7
RDM5210S				6.0	0.12	5000	10.48	0.296	2.51	30.52	♦	♦		♦	♦			
RDL5210S				6.0	0.09	4000	8.23	0.233	1.66	25.01	♦	♦		♦	♦			
RDH5210B	Ball			6.0	0.14	6000	12.68	0.359	3.48	25.24	♦	♦		♦	♦			
RDM5210B				6.0	0.12	5000	10.48	0.296	2.51	30.52	♦	♦		♦	♦			
RDL5210B				6.0	0.09	4000	8.23	0.233	1.66	25.01	♦	♦		♦	♦			

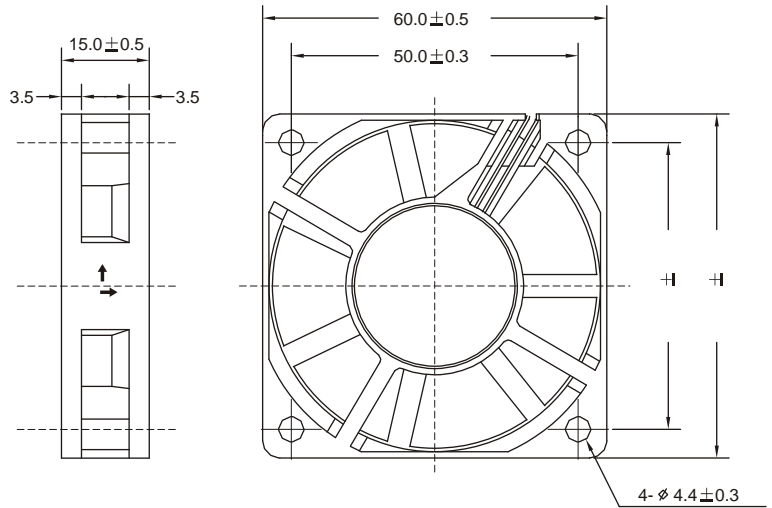
SAFETY APPROVALS (安規認證)

	CE	UL	CUL	TUV	CSA
12V	♦	♦	♦	♦	♦



60x60x15mm

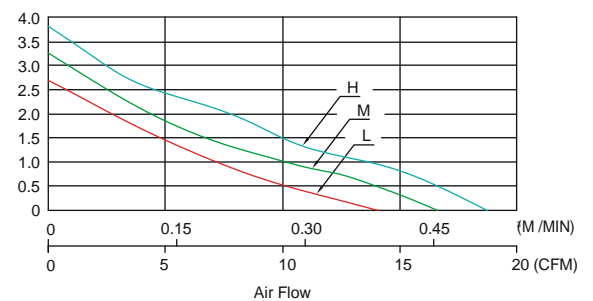
L&I s.r.o., Na Kopečku 141, 541 01 Trutnov, CZ - tel.: 499 829640, mobil: 605 567231, www.L-i.cz, info@L-i.cz



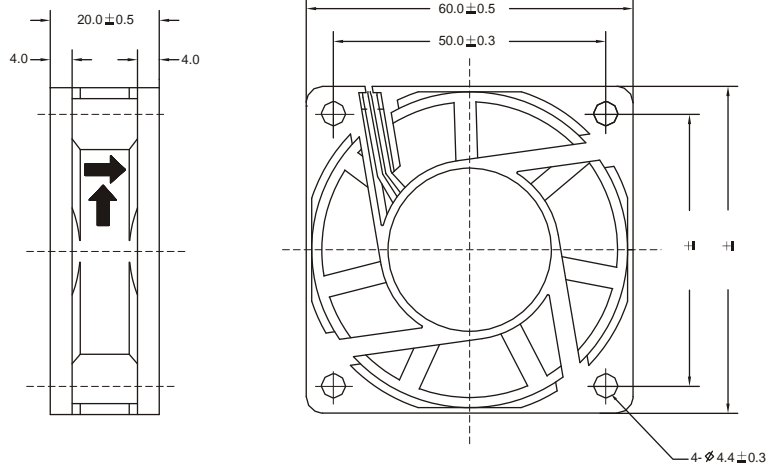
Listed Model	Bearing System	Housing Type	Rated Voltage	Startup Voltage	Rated Current	Speed	Air Flow	Air Flow	Static Pressure	Noise Level	Motor Protection					Weight Gram	Packing	
			VDC	VDC	A	RPM	CFM	CMM	mmH ₂ O	dB(A)	Resistance Protected	Auto Start	Thermal Speed Control	Alarm Output	Tachometer Output		Qty./Ctn Purchase	G.W./Ctn Kgs
RDH6015S5	Sleeve	H	5	3.5	0.40	4500	18.61	0.527	3.45	30.36	♦	♦		♦	♦	34	200	9.0
RDM6015S5				3.5	0.25	4000	16.45	0.465	2.81	26.95	♦	♦		♦	♦			
RDL6015S5				3.5	0.15	3500	14.43	0.408	2.23	24.61	♦	♦		♦	♦			
RDH6015B5	Ball			3.5	0.40	4500	18.61	0.527	3.45	30.36	♦	♦		♦	♦			
RDM6015B5				3.5	0.25	4000	16.45	0.465	2.81	26.95	♦	♦		♦	♦			
RDL6015B5				3.5	0.15	3500	14.43	0.408	2.23	24.61	♦	♦		♦	♦			
RDH6015S	Sleeve		12	6.0	0.17	4500	18.61	0.527	3.45	30.36	♦	♦		♦	♦			
RDM6015S				6.0	0.15	4000	16.45	0.465	2.81	26.95	♦	♦		♦	♦			
RDL6015S				6.0	0.11	3500	14.43	0.408	2.23	24.61	♦	♦		♦	♦			
RDH6015B	Ball			6.0	0.17	4500	18.61	0.527	3.45	30.36	♦	♦		♦	♦			
RDM6015B				6.0	0.15	4000	16.45	0.465	2.81	26.95	♦	♦		♦	♦			
RDL6015B				6.0	0.11	3500	14.43	0.408	2.23	24.61	♦	♦		♦	♦			
RDH6015S2	Sleeve	24	12.0	0.15	4500	18.61	0.527	3.45	30.36	♦	♦		♦	♦				
RDM6015S2			12.0	0.10	4000	16.45	0.465	2.81	26.95	♦	♦		♦	♦				
RDL6015S2			12.0	0.08	3500	14.43	0.408	2.23	24.61	♦	♦		♦	♦				
RDH6015B2	Ball		12.0	0.15	4500	18.61	0.527	3.45	30.36	♦	♦		♦	♦				
RDM6015B2			12.0	0.10	4000	16.45	0.465	2.81	26.95	♦	♦		♦	♦				
RDL6015B2			12.0	0.08	3500	14.43	0.408	2.23	24.61	♦	♦		♦	♦				

SAFETY APPROVALS (安規認證)

	CE	UL	CUL	TUV	VDE
5V	♦	♦	♦	♦	
12V	♦	♦	♦	♦	
24V					♦



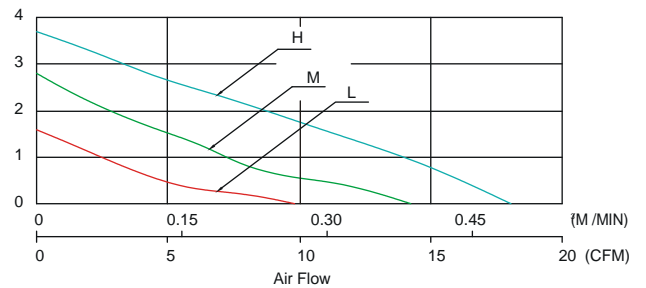
60x60x20mm (B Housing)



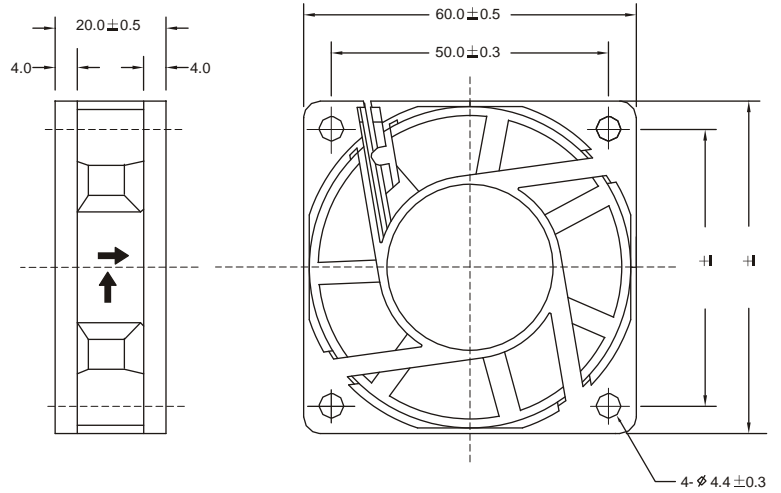
Listed Model	Bearing System	Housing Type	Rated Voltage	Startup Voltage	Rated Current	Speed	Air Flow	Air Flow	Static Pressure	Noise Level	Motor Protection					Weight Gram	Packing	
			VDC	VDC	A	RPM	CFM	CMM	mmH ₂ O	dBA	Resistance Protected	Auto Start	Thermal Speed Control	Alarm Output	Tachometer Output		Qty./Ctn Purchase	G.W./Ctn Kgs
RDH6020S	Sleeve	B	12	6.0	0.16	4000	16.08	0.455	3.92	26.88	♦	♦	♦	♦	♦	50	200	11.5
RDM6020S				6.0	0.12	3300	13.28	0.376	2.74	23.30	♦	♦	♦	♦	♦			
RDL6020S				6.0	0.08	2500	9.99	0.282	1.61	20.65	♦	♦	♦	♦	♦			
RDH6020B	Ball			6.0	0.16	4000	16.08	0.455	3.92	26.88	♦	♦	♦	♦	♦			
RDM6020B				6.0	0.12	3300	13.28	0.376	2.74	23.30	♦	♦	♦	♦	♦			
RDL6020B				6.0	0.08	2500	9.99	0.282	1.61	20.65	♦	♦	♦	♦	♦			
RDH6020S2	Sleeve	24	12.0	0.13	4000	16.08	0.455	3.92	26.88	♦	♦	♦	♦	♦				
RDM6020S2			12.0	0.10	3300	13.28	0.376	2.74	23.30	♦	♦	♦	♦	♦				
RDL6020S2			12.0	0.08	2500	9.99	0.282	1.61	20.65	♦	♦	♦	♦	♦				
RDH6020B2	Ball		12.0	0.13	4000	16.08	0.455	3.92	26.88	♦	♦	♦	♦	♦				
RDM6020B2			12.0	0.10	3300	13.28	0.376	2.74	23.30	♦	♦	♦	♦	♦				
RDL6020B2			12.0	0.08	2500	9.99	0.282	1.61	20.65	♦	♦	♦	♦	♦				

SAFETY APPROVALS (安規認證)

	CE	UL	CUL	TUV	CSA	VDE
12V	♦	♦	♦	♦	♦	
24V						♦



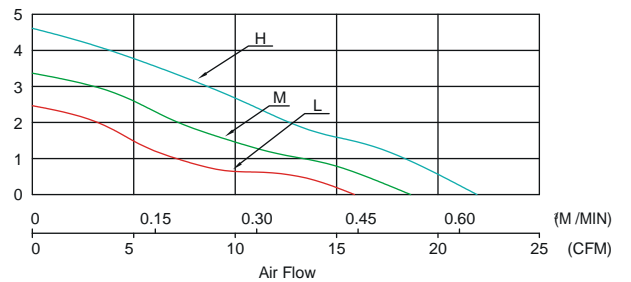
60x60x20mm (H Housing)



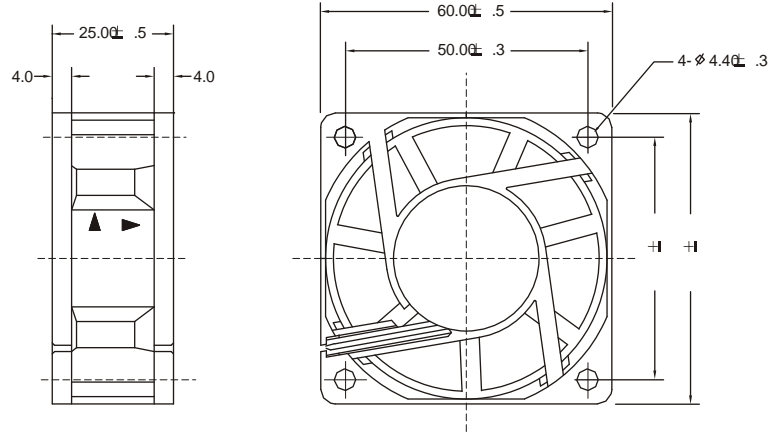
Listed Model	Bearing System	Housing Type	Rated Voltage	Startup Voltage	Rated Current	Speed	Air Flow	Air Flow	Static Pressure	Noise Level	Motor Protection					Weight Gram	Packing	
			VDC	VDC	A	RPM	CFM	CMM	mmH ₂ O	dBA	Resistance Protected	Auto Start	Thermal Speed Control	Alarm Output	Tachometer Output		Qty./Ctn Purchase	G.W./Ctn Kgs
RDH6020S	Sleeve	H	12	6.0	0.16	4200	22.36	0.633	4.70	31.90	♦	♦	♦	♦	♦	50	200	11.5
RDM6020S				6.0	0.12	3500	18.56	0.525	3.36	27.21	♦	♦	♦	♦	♦			
RDL6020S				6.0	0.08	3000	15.75	0.446	2.47	24.12	♦	♦	♦	♦	♦			
RDH6020B	Ball			6.0	0.16	4200	22.36	0.633	4.70	31.90	♦	♦	♦	♦	♦			
RDM6020B				6.0	0.12	3500	18.56	0.525	3.36	27.21	♦	♦	♦	♦	♦			
RDL6020B				6.0	0.08	3000	15.75	0.446	2.47	24.12	♦	♦	♦	♦	♦			
RDH6020S2	Sleeve	24	12.0	0.13	4200	22.36	0.633	4.70	31.90	♦	♦	♦	♦	♦				
RDM6020S2			12.0	0.10	3500	18.56	0.525	3.36	27.21	♦	♦	♦	♦	♦				
RDL6020S2			12.0	0.08	3000	15.75	0.446	2.47	24.12	♦	♦	♦	♦	♦				
RDH6020B2	Ball		12.0	0.13	4200	22.36	0.633	4.70	31.90	♦	♦	♦	♦	♦				
RDM6020B2			12.0	0.10	3500	18.56	0.525	3.36	27.21	♦	♦	♦	♦	♦				
RDL6020B2			12.0	0.08	3000	15.75	0.446	2.47	24.12	♦	♦	♦	♦	♦				

SAFETY APPROVALS (安規認證)

	CE	UL	CUL	TUV	CSA	VDE
12V	♦	♦	♦	♦	♦	
24V						♦



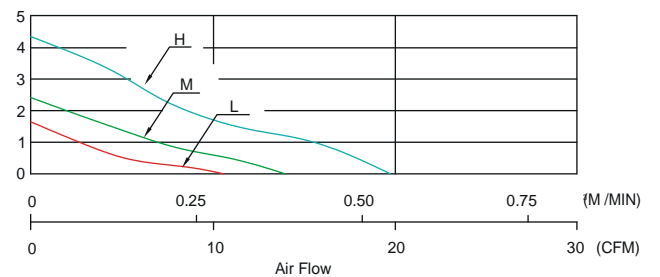
60x60x25mm



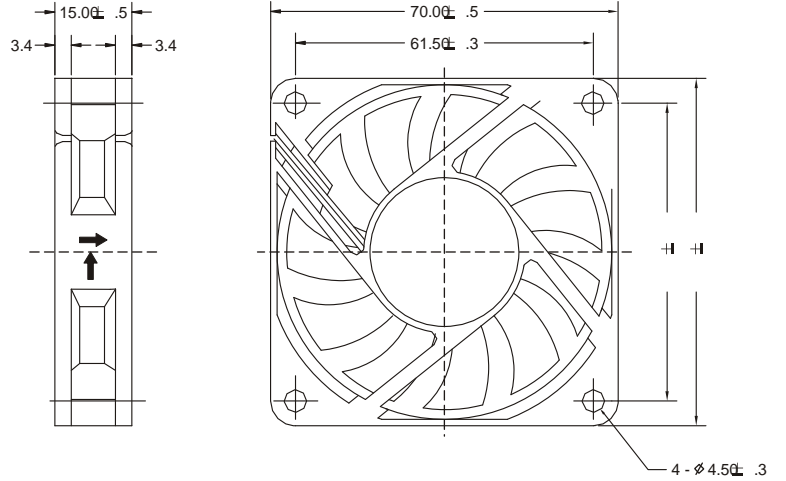
Listed Model	Bearing System	Housing Type	Rated Voltage	Startup Voltage	Rated Current	Speed	Air Flow	Air Flow	Static Pressure	Noise Level	Motor Protection					Weight Gram	Packing	
			VDC	VDC	A	RPM	CFM	CMM	mmH ₂ O	dBA	Resistance Protected	Auto Start	Thermal Speed Control	Alarm Output	Tachometer Output		Qty./Ctn Purchase	G.W./Ctn Kgs
RDH6025S	Sleeve	B	12	6.0	0.14	4000	19.25	0.545	4.21	27.20	♦	♦	♦	♦	♦	62	100	7.2
RDM6025S				6.0	0.10	3000	14.10	0.399	2.42	22.71	♦	♦	♦	♦	♦			
RDL6025S				6.0	0.07	2500	11.83	0.335	1.74	20.16	♦	♦	♦	♦	♦			
RDH6025B	Ball			6.0	0.14	4000	19.25	0.545	4.21	27.20	♦	♦	♦	♦	♦			
RDM6025B				6.0	0.10	3000	14.10	0.399	2.42	22.71	♦	♦	♦	♦	♦			
RDL6025B				6.0	0.07	2500	11.83	0.335	1.74	20.16	♦	♦	♦	♦	♦			
RDH6025S2	Sleeve	24	12.0	0.14	4000	19.25	0.545	4.21	27.20	♦	♦	♦	♦	♦				
RDM6025S2			12.0	0.10	3000	14.10	0.399	2.42	22.71	♦	♦	♦	♦	♦				
RDL6025S2			12.0	0.09	2500	11.83	0.335	1.74	20.16	♦	♦	♦	♦	♦				
RDH6025B2	Ball		12.0	0.14	4000	19.25	0.545	4.21	27.20	♦	♦	♦	♦	♦				
RDM6025B2			12.0	0.10	3000	14.10	0.399	2.42	22.71	♦	♦	♦	♦	♦				
RDL6025B2			12.0	0.09	2500	11.83	0.335	1.74	20.16	♦	♦	♦	♦	♦				

SAFETY APPROVALS (安規認證)

	CE	UL	CUL	TUV	CSA	VDE
12V	♦	♦	♦	♦	♦	
24V	♦	♦	♦	♦		♦



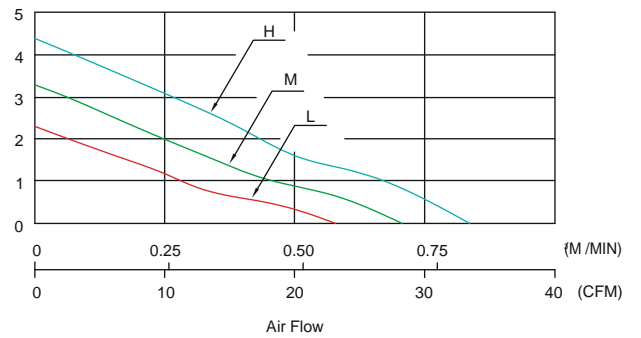
70x70x15mm



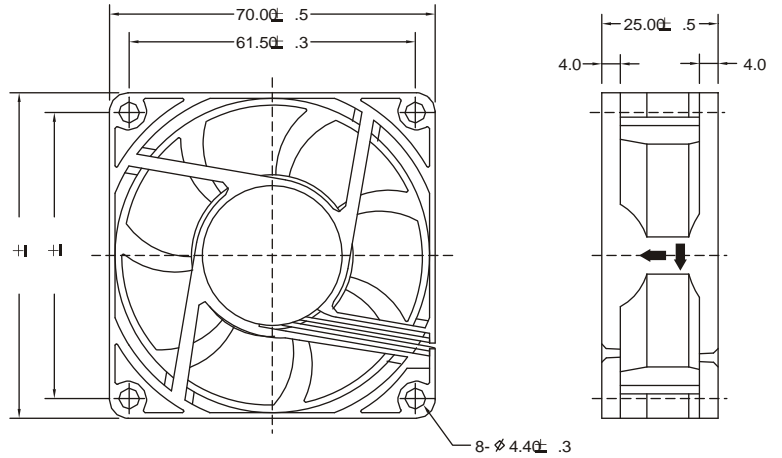
Listed Model	Bearing System	Housing Type	Rated Voltage	Startup Voltage	Rated Current	Speed	Air Flow	Air Flow	Static Pressure	Noise Level	Motor Protection					Weight Gram	Packing	
			VDC	VDC	A	RPM	CFM	CMM	mmH ₂ O	dBA	Resistance Protected	Auto Start	Thermal Speed Control	Alarm Output	Tachometer Output		Qty./Ctn Purchase	G.W./Ctn Kgs
RDH7015S	Sleeve	H	12	6.0	0.35	4200	32.50	0.920	4.34	36.01	♦	♦	♦	♦	♦	48	200	10.6
RDM7015S				6.0	0.25	3600	27.29	0.772	3.23	31.98	♦	♦	♦	♦	♦			
RDL7015S				6.0	0.16	3000	22.24	0.629	2.27	27.85	♦	♦	♦	♦	♦			
RDH7015B	Ball			6.0	0.35	4200	32.50	0.920	4.34	36.01	♦	♦	♦	♦	♦			
RDM7015B				6.0	0.25	3600	27.29	0.772	3.23	31.98	♦	♦	♦	♦	♦			
RDL7015B				6.0	0.16	3000	22.24	0.629	2.27	27.85	♦	♦	♦	♦	♦			

SAFETY APPROVALS (安規認證)

	CE	UL	CUL
12V	♦	♦	♦



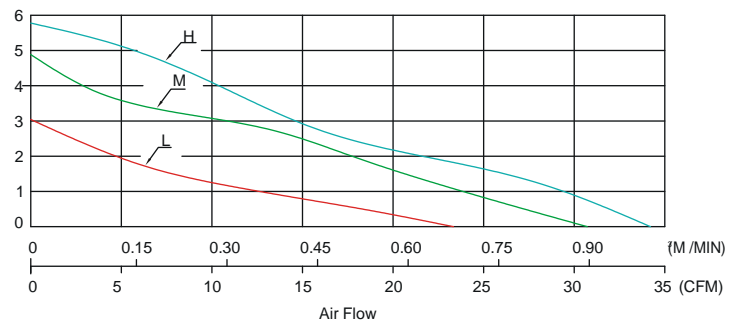
70x70x25mm



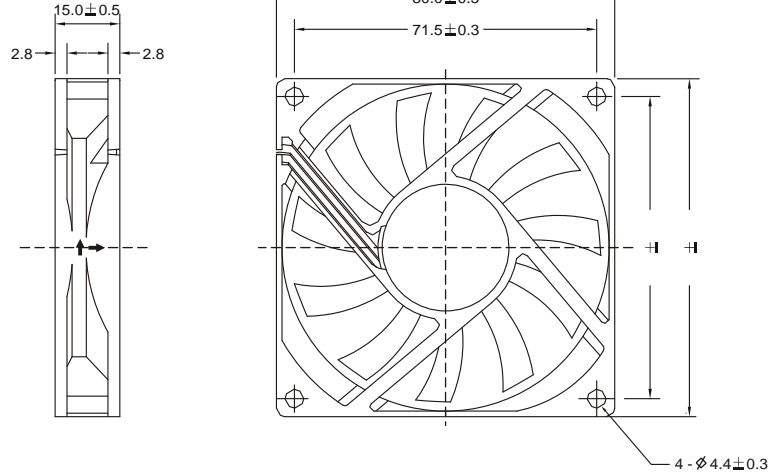
Listed Model	Bearing System	Housing Type	Rated Voltage	Startup Voltage	Rated Current	Speed	Air Flow	Air Flow	Static Pressure	Noise Level	Motor Protection					Weight Gram	Packing		
			VDC	VDC	A	RPM	CFM	CMM	mmH ₂ O	dBA	Resistance Protected	Auto Start	Thermal Speed Control	Alarm Output	Tachometer Output		Qty./Ctn Purchase	G.W./Ctn Kgs	
RDH7025S5	Sleeve	H	5	3.5	0.70	4500	34.63	0.980	5.70	35.96	♦	♦	♦	♦	♦	65	100	7.6	
RDM7025S5				3.5	0.55	4000	31.53	0.893	4.95	31.49	♦	♦	♦	♦	♦				
RDL7025S5				3.5	0.30	3000	23.72	0.672	3.10	24.84	♦	♦	♦	♦	♦				
RDH7025B5	Ball			3.5	0.70	4500	34.63	1.151	5.70	35.96	♦	♦	♦	♦	♦				
RDM7025B5				3.5	0.55	4000	31.53	0.893	4.95	31.49	♦	♦	♦	♦	♦				
RDL7025B5				3.5	0.30	3000	23.72	0.672	3.10	24.84	♦	♦	♦	♦	♦				
RDH7025S	Sleeve		12	6.0	0.40	5100	40.64	1.151	7.57	37.84	37.84	♦	♦	♦	♦				♦
RDM7025S				6.0	0.20	4000	31.53	0.893	4.95	31.49	31.49	♦	♦	♦	♦				♦
RDL7025S				6.0	0.15	3000	23.72	0.672	3.10	24.84	24.84	♦	♦	♦	♦				♦
RDH7025B	Ball			6.0	0.40	5100	40.64	1.151	7.57	37.84	37.84	♦	♦	♦	♦				♦
RDM7025B				6.0	0.20	4000	31.53	0.893	4.95	31.49	31.49	♦	♦	♦	♦				♦
RDL7025B				6.0	0.15	3000	23.72	0.672	3.10	24.84	24.84	♦	♦	♦	♦				♦
RDH7025S2	Sleeve	24	12.0	0.22	5100	40.64	1.151	7.57	37.84	37.84	♦	♦	♦	♦	♦				
RDM7025S2			12.0	0.12	4000	31.53	0.893	4.95	31.49	31.49	♦	♦	♦	♦	♦				
RDL7025S2			12.0	0.10	3000	23.72	0.672	3.10	24.84	24.84	♦	♦	♦	♦	♦				
RDH7025B2	Ball		12.0	0.20	5100	40.64	1.151	7.57	37.84	37.84	♦	♦	♦	♦	♦				
RDM7025B2			12.0	0.12	4000	31.53	0.893	4.95	31.49	31.49	♦	♦	♦	♦	♦				
RDL7025B2			12.0	0.10	3000	23.72	0.672	3.10	24.84	24.84	♦	♦	♦	♦	♦				

SAFETY APPROVALS (安規認證)

	CE	UL	CUL	TUV
5V	♦	♦	♦	♦
12V	♦	♦	♦	♦
24V	♦	♦	♦	♦



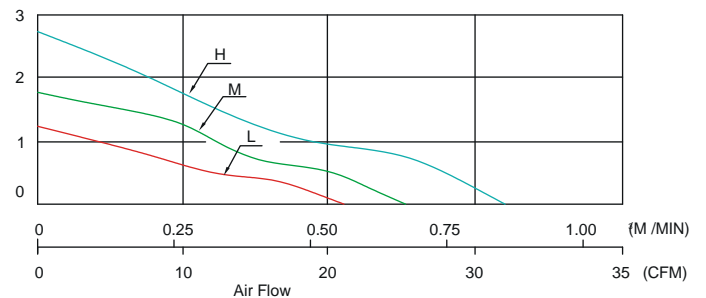
80x80x15mm



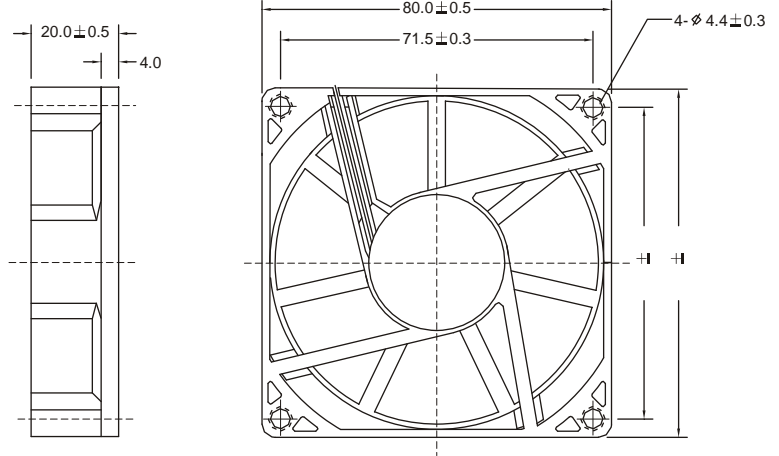
Listed Model	Bearing System	Housing Type	Rated Voltage	Startup Voltage	Rated Current	Speed	Air Flow	Air Flow	Static Pressure	Noise Level	Motor Protection					Weight Gram	Packing	
			VDC	VDC	A	RPM	CFM	CMM	mmH ₂ O	dBA	Resistance Protected	Auto Start	Thermal Speed Control	Alarm Output	Tachometer Output		Qty./Ctn Purchase	G.W./Ctn Kgs
RDH8015S	Sleeve	B	12	6.0	0.17	3000	31.22	0.8841	2.66	31.06	♦	♦	♦	♦	♦	40	200	10.0
RDM8015S				6.0	0.14	2500	26.01	0.7365	1.95	27.08	♦	♦	♦	♦	♦			
RDL8015S				6.0	0.09	2000	20.87	0.591	1.28	22.08	♦	♦	♦	♦	♦			
RDH8015B	Ball			6.0	0.17	3000	31.22	0.8841	2.66	31.06	♦	♦	♦	♦	♦			
RDM8015B				6.0	0.14	2500	26.01	0.7365	1.95	27.08	♦	♦	♦	♦	♦			
RDL8015B				6.0	0.09	2000	20.87	0.591	1.28	22.08	♦	♦	♦	♦	♦			
RDH8015S2	Sleeve	24	12.0	0.15	3000	31.22	0.8841	2.66	31.06	♦	♦	♦	♦	♦				
RDM8015S2			12.0	0.13	2500	26.01	0.7365	1.95	27.08	♦	♦	♦	♦	♦				
RDL8015S2			12.0	0.10	2000	20.87	0.591	1.28	22.08	♦	♦	♦	♦	♦				
RDH8015B2	Ball		12.0	0.15	3000	31.22	0.8841	2.66	31.06	♦	♦	♦	♦	♦				
RDM8015B2			12.0	0.13	2500	26.01	0.7365	1.95	27.08	♦	♦	♦	♦	♦				
RDL8015B2			12.0	0.10	2000	20.87	0.591	1.28	22.08	♦	♦	♦	♦	♦				

SAFETY APPROVALS (安規認證)

	CE	UL	CUL	TUV	CSA	VDE
12V	♦	♦	♦	♦	♦	
24V						♦



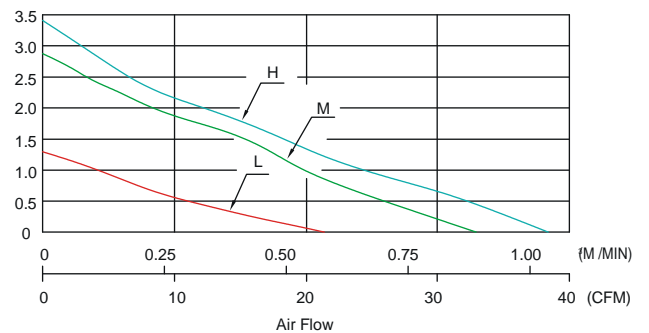
80x80x20mm



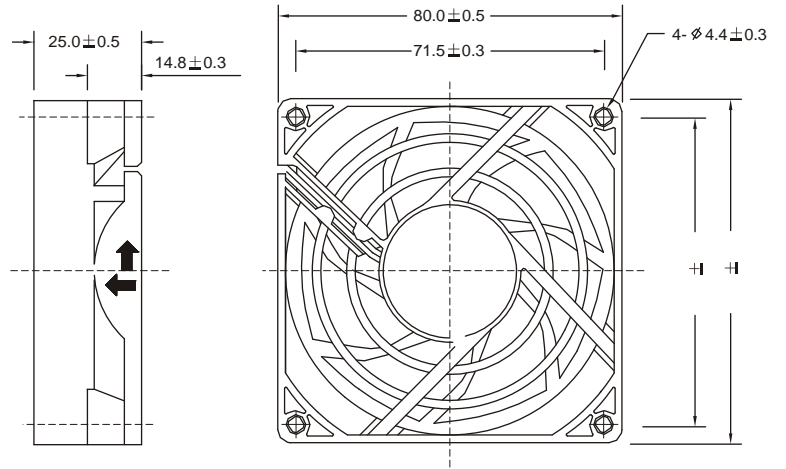
Listed Model	Bearing System	Housing Type	Rated Voltage	Startup Voltage	Rated Current	Speed	Air Flow	Air Flow	Static Pressure	Noise Level	Motor Protection					Weight Gram	Packing	
			VDC	VDC	A	RPM	CFM	CMM	mmH ₂ O	dBA	Resistance Protected	Auto Start	Thermal Speed Control	Alarm Output	Tachometer Output		Qty./Ctn Purchase	G.W./Ctn Kgs
RDH8020S	Sleeve	E	12	6.0	0.23	3500	38.81	1.099	3.30	35.49	♦	♦	♦	♦	♦	64	100	7.3
RDM8020S				6.0	0.17	3000	33.50	0.9486	2.49	31.73	♦	♦	♦	♦	♦			
RDL8020S				6.0	0.13	2500	27.69	0.7841	1.77	26.82	♦	♦	♦	♦	♦			
RDH8020B	Ball			6.0	0.23	3500	38.81	1.099	3.30	35.49	♦	♦	♦	♦	♦			
RDM8020B				6.0	0.17	3000	33.50	0.9486	2.49	31.73	♦	♦	♦	♦	♦			
RDL8020B				6.0	0.13	2500	27.69	0.7481	1.77	26.82	♦	♦	♦	♦	♦			
RDH8020S2	Sleeve	24	12.0	0.21	3500	38.81	1.099	3.30	35.49	♦	♦	♦	♦	♦				
RDM8020S2			12.0	0.14	3000	33.50	0.9486	2.49	31.73	♦	♦	♦	♦	♦				
RDL8020S2			12.0	0.12	2500	27.69	0.7841	1.77	26.82	♦	♦	♦	♦	♦				
RDH8020B2	Ball		12.0	0.21	3500	38.81	1.099	3.30	35.49	♦	♦	♦	♦	♦				
RDM8020B2			12.0	0.14	3000	33.50	0.9486	2.49	31.73	♦	♦	♦	♦	♦				
RDL8020B2			12.0	0.12	2500	27.69	0.7481	1.77	26.82	♦	♦	♦	♦	♦				

SAFETY APPROVALS (安規認證)

	CE	UL	CUL	TUV
12V	♦	♦	♦	♦
24V	♦	♦	♦	♦



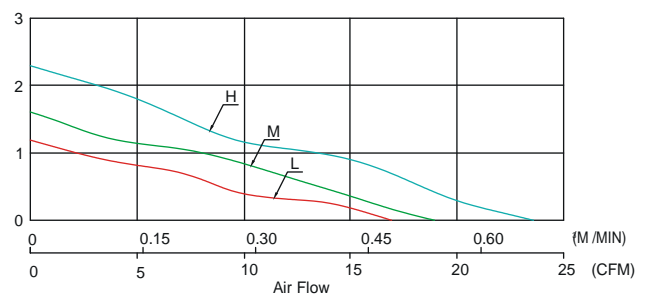
80x80x25mm (F Housing)



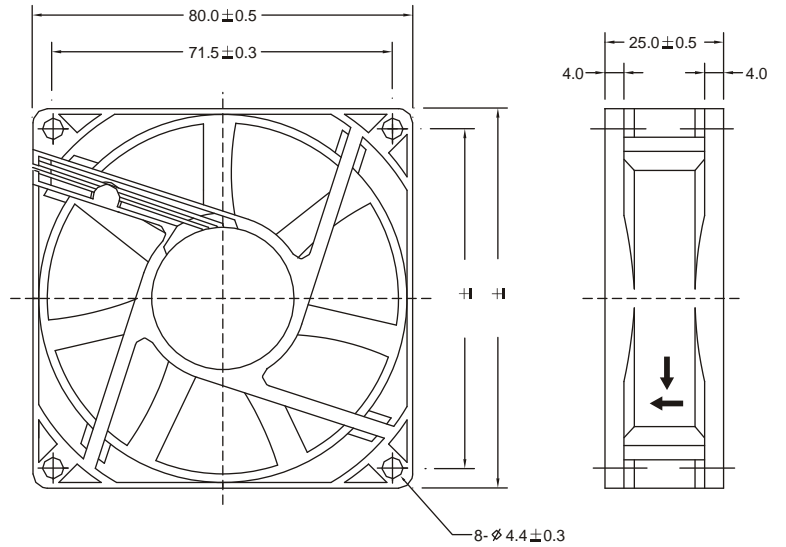
Listed Model	Bearing System	Housing Type	Rated Voltage	Startup Voltage	Rated Current	Speed	Air Flow	Air Flow	Static Pressure	Noise Level	Motor Protection					Weight Gram	Packing	
			VDC	VDC	A	RPM	CFM	CMM	mmH ₂ O	dBa	Resistance Protected	Auto Start	Thermal Speed Control	Alarm Output	Tachometer Output		Qty./Ctn Purchase	G.W./Ctn Kgs
RDH8025S5	Sleeve	F	5	3.5	0.40	3000	24.03	0.679	2.16	29.60	♦	♦	♦	♦	♦	76	100	9.0
RDM8025S5				3.5	0.28	2500	19.32	0.571	1.58	24.81	♦	♦	♦	♦	♦			
RDL8025S5				3.5	0.22	2000	15.95	0.455	1.09	21.01	♦	♦	♦	♦	♦			
RDH8025B5	Ball			3.5	0.40	3000	24.03	0.679	2.16	29.60	♦	♦	♦	♦	♦			
RDM8025B5				3.5	0.28	2500	19.32	0.571	1.58	24.81	♦	♦	♦	♦	♦			
RDL8025B5				3.5	0.22	2000	15.95	0.455	1.09	21.01	♦	♦	♦	♦	♦			
RDH8025S	Sleeve		12	6.0	0.17	3000	24.03	0.679	2.16	29.60	♦	♦	♦	♦	♦			
RDM8025S				6.0	0.11	2500	19.32	0.571	1.58	24.81	♦	♦	♦	♦	♦			
RDL8025S				6.0	0.08	2000	15.95	0.455	1.09	21.01	♦	♦	♦	♦	♦			
RDH8025B	Ball			6.0	0.17	3000	24.03	0.679	2.16	29.60	♦	♦	♦	♦	♦			
RDM8025B				6.0	0.11	2500	19.32	0.571	1.58	24.81	♦	♦	♦	♦	♦			
RDL8025B				6.0	0.08	2000	15.95	0.455	1.09	21.01	♦	♦	♦	♦	♦			
RDH8025S2	Sleeve	24	12.0	0.15	3000	24.03	0.679	2.16	29.60	♦	♦	♦	♦	♦				
RDM8025S2			12.0	0.12	2500	19.32	0.571	1.58	24.81	♦	♦	♦	♦	♦				
RDL8025S2			12.0	0.09	2000	15.95	0.455	1.09	21.01	♦	♦	♦	♦	♦				
RDH8025B2	Ball		12.0	0.15	3000	24.03	0.679	2.16	29.60	♦	♦	♦	♦	♦				
RDM8025B2			12.0	0.12	2500	19.32	0.571	1.58	24.81	♦	♦	♦	♦	♦				
RDL8025B2			12.0	0.09	2000	15.95	0.455	1.09	21.01	♦	♦	♦	♦	♦				

SAFETY APPROVALS (安規認證)

	CE	UL	CUL	TUV	CSA	VDE
5V	♦	♦	♦	♦		
12V	♦	♦	♦	♦	♦	
24V	♦	♦	♦	♦		♦



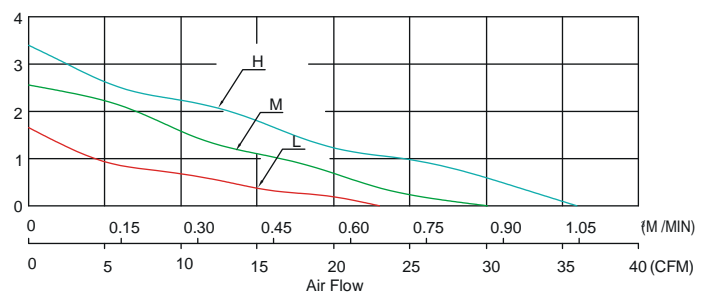
80x80x25mm (H Housing)



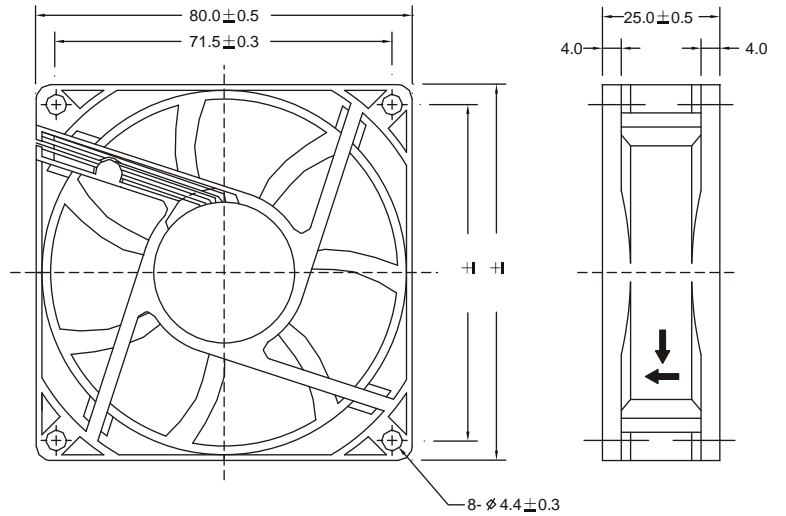
Listed Model	Bearing System	Housing Type	Rated Voltage	Startup Voltage	Rated Current	Speed	Air Flow	Air Flow	Static Pressure	Noise Level	Motor Protection					Weight Gram	Packing	
			VDC	VDC	A	RPM	CFM	CMM	mmH ₂ O	dBA	Resistance Protected	Auto Start	Thermal Speed Control	Alarm Output	Tachometer Output		Qty./Ctn Purchase	G.W./Ctn Kgs
RDH8025S5	Sleeve	H	5	3.5	0.40	3000	35.70	1.011	3.83	30.89	♦	♦	♦	♦	♦	76	100	9.0
RDM8025S5				3.5	0.28	2500	29.51	0.836	2.62	26.30	♦	♦	♦	♦	♦			
RDL8025S5				3.5	0.22	2000	23.50	0.665	1.78	21.83	♦	♦	♦	♦	♦			
RDH8025B5	Ball			3.5	0.40	3000	35.70	1.011	3.83	30.89	♦	♦	♦	♦	♦			
RDM8025B5				3.5	0.28	2500	29.51	0.836	2.62	26.30	♦	♦	♦	♦	♦			
RDL8025B5				3.5	0.22	2000	23.50	0.665	1.78	21.83	♦	♦	♦	♦	♦			
RDH8025S	Sleeve		12	6.0	0.17	3000	35.70	1.011	3.83	30.89	♦	♦	♦	♦	♦			
RDM8025S				6.0	0.11	2500	29.51	0.836	2.62	26.30	♦	♦	♦	♦	♦			
RDL8025S				6.0	0.08	2000	23.50	0.665	1.78	21.83	♦	♦	♦	♦	♦			
RDH8025B	Ball			6.0	0.17	3000	35.70	1.011	3.83	30.89	♦	♦	♦	♦	♦			
RDM8025B				6.0	0.11	2500	29.51	0.836	2.62	26.30	♦	♦	♦	♦	♦			
RDL8025B				6.0	0.08	2000	23.50	0.665	1.78	21.83	♦	♦	♦	♦	♦			
RDH8025S2	Sleeve	24	12.0	0.15	3000	35.70	1.011	3.83	30.89	♦	♦	♦	♦	♦				
RDM8025S2				0.12	2500	29.51	0.836	2.62	26.30	♦	♦	♦	♦	♦				
RDL8025S2				0.09	2000	23.50	0.665	1.78	21.83	♦	♦	♦	♦	♦				
RDH8025B2	Ball			0.15	3000	35.70	1.011	3.83	30.89	♦	♦	♦	♦	♦				
RDM8025B2				0.12	2500	29.51	0.836	2.62	26.30	♦	♦	♦	♦	♦				
RDL8025B2				0.09	2000	23.50	0.665	1.78	21.83	♦	♦	♦	♦	♦				

SAFETY APPROVALS (安規認證)

	CE	UL	CUL	TUV	CSA	VDE
5V	♦	♦	♦	♦		
12V	♦	♦	♦	♦	♦	
24V	♦	♦	♦	♦		♦



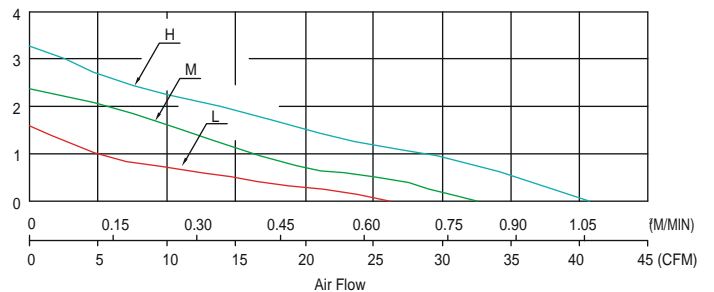
80x80x25mm (H Housing, High Air Flow)



Listed Model	Bearing System	Housing Type	Rated Voltage	Startup Voltage	Rated Current	Speed	Air Flow	Air Flow	Static Pressure	Noise Level	Motor Protection					Weight Gram	Packing	
			VDC	VDC	A	RPM	CFM	CMM	mmH ₂ O	dB(A)	Resistance Protected	Auto Start	Thermal Speed Control	Alarm Output	Tachometer Output		Qty./Ctn Purchase	G.W./Ctn Kgs
RDH8025S1	Sleeve	H	12	6.0	0.23	3000	41.00	1.161	3.32	29.77	♦	♦	♦	♦	♦	76	100	9.0
RDM8025S1				6.0	0.16	2500	33.42	0.946	2.29	25.10	♦	♦	♦	♦	♦			
RDL8025S1				6.0	0.13	2000	26.57	0.752	1.54	21.21	♦	♦	♦	♦	♦			
RDH8025B1	Ball			6.0	0.23	3000	41.00	1.161	3.32	29.77	♦	♦	♦	♦	♦			
RDM8025B1				6.0	0.16	2500	33.42	0.946	2.29	25.10	♦	♦	♦	♦	♦			
RDL8025B1				6.0	0.13	2000	26.57	0.752	1.54	21.21	♦	♦	♦	♦	♦			
RDH8025S2	Sleeve	H	24	12.0	0.15	3000	41.00	1.161	3.32	29.77	♦	♦	♦	♦	♦	76	100	9.0
RDM8025S2				12.0	0.12	2500	33.42	0.946	2.29	25.10	♦	♦	♦	♦	♦			
RDL8025S2				12.0	0.09	2000	26.57	0.752	1.54	21.21	♦	♦	♦	♦	♦			
RDH8025B2	Ball			12.0	0.15	3000	41.00	1.161	3.32	29.77	♦	♦	♦	♦	♦			
RDM8025B2				12.0	0.12	2500	33.42	0.946	2.29	25.10	♦	♦	♦	♦	♦			
RDL8025B2				12.0	0.09	2000	26.57	0.752	1.54	21.21	♦	♦	♦	♦	♦			

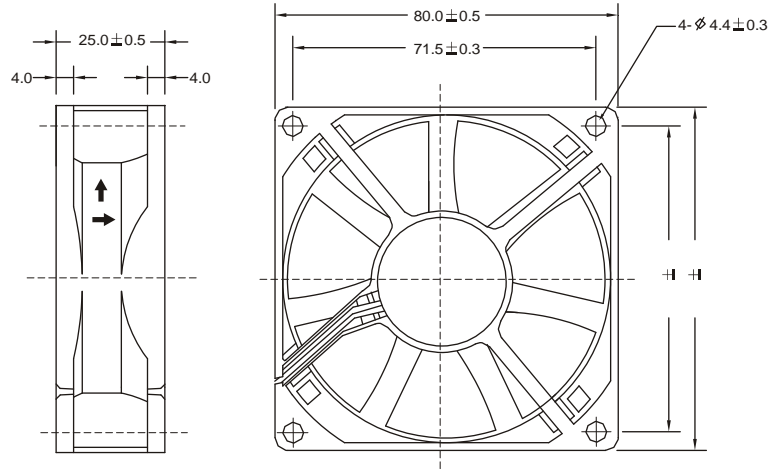
SAFETY APPROVALS (安規認證)

	CE	UL	CUL	TUV	CSA	VDE
12V	♦	♦	♦	♦	♦	
24V	♦	♦	♦	♦		♦



80x80x25mm (N Housing)

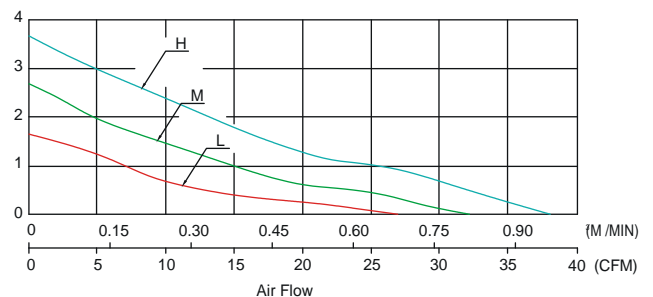
L&I s.r.o., Na Kopečku 141, 541 01 Trutnov, CZ - tel.: 499 829640, mobil: 605 567231, www.L-i.cz, info@L-i.cz



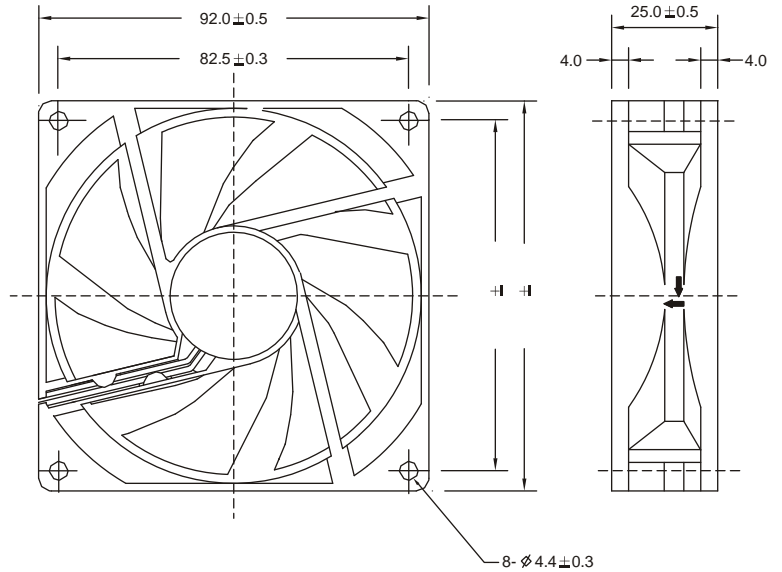
Listed Model	Bearing System	Housing Type	Rated Voltage	Startup Voltage	Rated Current	Speed	Air Flow	Air Flow	Static Pressure	Noise Level	Motor Protection					Weight Gram	Packing	
			VDC	VDC	A	RPM	CFM	CMM	mmH ₂ O	dB(A)	Resistance Protected	Auto Start	Thermal Speed Control	Alarm Output	Tachometer Output		Qty./Ctn Purchase	G.W./Ctn Kgs
RDH8025S5	Sleeve	N	5	3.5	0.40	3000	39.90	1.1298	3.72	30.17	♦	♦	♦	♦	♦	76	100	9.0
RDM8025S5				3.5	0.28	2500	32.91	0.9319	2.61	26.92	♦	♦	♦	♦	♦			
RDL8025S5				3.5	0.22	2000	26.29	0.7444	1.75	22.26	♦	♦	♦	♦	♦			
RDH8025B5	Ball			3.5	0.40	3000	39.90	1.1298	3.72	30.17	♦	♦	♦	♦	♦			
RDM8025B5				3.5	0.28	2500	32.91	0.9319	2.61	26.92	♦	♦	♦	♦	♦			
RDL8025B5				3.5	0.22	2000	26.29	0.7444	1.75	22.26	♦	♦	♦	♦	♦			
RDH8025S	Sleeve		12	6.0	0.17	3000	39.90	1.1298	3.72	30.17	♦	♦	♦	♦	♦			
RDM8025S				6.0	0.11	2500	32.91	0.9319	2.61	26.92	♦	♦	♦	♦	♦			
RDL8025S				6.0	0.08	2000	26.29	0.7444	1.75	22.26	♦	♦	♦	♦	♦			
RDH8025B	Ball			6.0	0.17	3000	39.90	1.1298	3.72	30.17	♦	♦	♦	♦	♦			
RDM8025B				6.0	0.11	2500	32.91	0.9319	2.61	26.92	♦	♦	♦	♦	♦			
RDL8025B				6.0	0.08	2000	26.29	0.7444	1.75	22.26	♦	♦	♦	♦	♦			
RDH8025S2	Sleeve	24	12.0	0.15	3000	39.90	1.1298	3.72	30.17	♦	♦	♦	♦	♦				
RDM8025S2			12.0	0.12	2500	32.91	0.9319	2.61	26.92	♦	♦	♦	♦	♦				
RDL8025S2			12.0	0.09	2000	26.29	0.7444	1.75	22.26	♦	♦	♦	♦	♦				
RDH8025B2	Ball		12.0	0.15	3000	39.90	1.1298	3.72	30.17	♦	♦	♦	♦	♦				
RDM8025B2			12.0	0.12	2500	32.91	0.9319	2.61	26.92	♦	♦	♦	♦	♦				
RDL8025B2			12.0	0.09	2000	26.29	0.7444	1.75	22.26	♦	♦	♦	♦	♦				

SAFETY APPROVALS (安規認證)

	CE	UL	CUL	TUV	CSA	VDE
5V	♦	♦	♦	♦		
12V	♦	♦	♦	♦	♦	
24V	♦	♦	♦	♦		♦



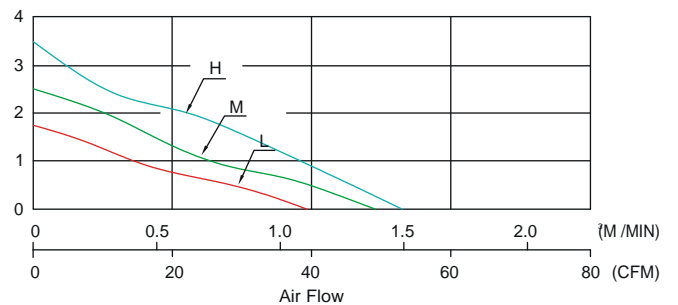
92x92x25mm



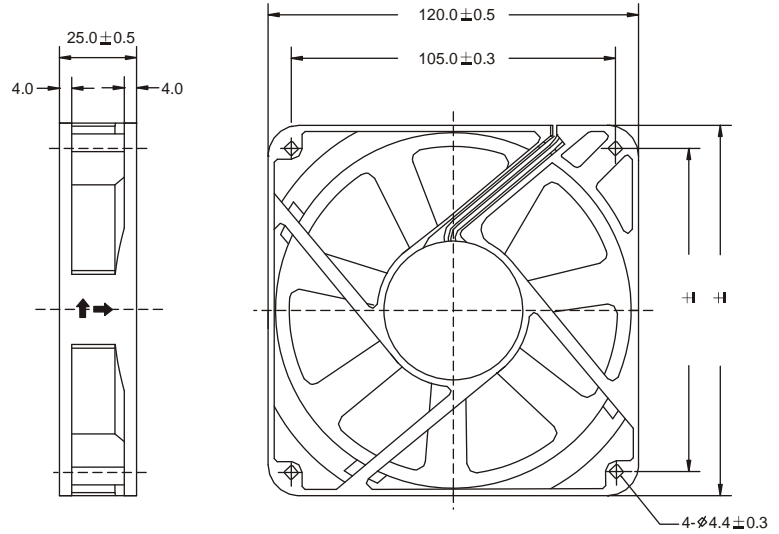
Listed Model	Bearing System	Housing Type	Rated Voltage	Startup Voltage	Rated Current	Speed	Air Flow	Air Flow	Static Pressure	Noise Level	Motor Protection					Weight Gram	Packing	
			VDC	VDC	A	RPM	CFM	CMM	mmH ₂ O	dBA	Resistance Protected	Auto Start	Thermal Speed Control	Alarm Output	Tachometer Output		Qty./Ctn Purchase	G.W./Ctn Kgs
RDH9025S	Sleeve	H	12	6.0	0.23	2800	54.63	1.547	3.34	32.96	♦	♦	♦	♦	♦	85	100	10.2
RDM9025S				6.0	0.19	2500	48.17	1.364	2.65	29.98	♦	♦	♦	♦	♦			
RDL9025S				6.0	0.16	2000	39.00	1.104	1.76	24.58	♦	♦	♦	♦	♦			
RDH9025B	Ball			6.0	0.23	2800	54.63	1.547	3.34	32.96	♦	♦	♦	♦	♦			
RDM9025B				6.0	0.19	2500	48.17	1.364	2.65	29.98	♦	♦	♦	♦	♦			
RDL9025B				6.0	0.16	2000	39.00	1.104	1.76	24.58	♦	♦	♦	♦	♦			
RDH9025S2	Sleeve	H	24	12.0	0.22	2800	55.73	1.578	3.19	34.50	♦	♦	♦	♦	♦	85	100	10.2
RDM9025S2				12.0	0.18	2500	49.65	1.406	2.78	30.90	♦	♦	♦	♦	♦			
RDL9025S2				12.0	0.15	2000	40.54	1.148	1.85	25.24	♦	♦	♦	♦	♦			
RDH9025B2	Ball			12.0	0.22	2800	55.73	1.578	3.19	34.50	♦	♦	♦	♦	♦			
RDM9025B2				12.0	0.18	2500	49.65	1.406	2.78	30.39	♦	♦	♦	♦	♦			
RDL9025B2				12.0	0.15	2000	40.54	1.148	1.85	25.24	♦	♦	♦	♦	♦			

SAFETY APPROVALS (安規認證)

	CE	UL	CUL	TUV	CSA	VDE
12V	♦	♦	♦	♦	♦	
24V	♦	♦	♦	♦		♦



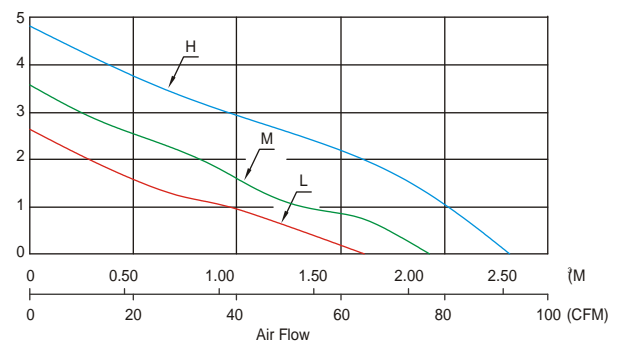
120x120x25mm (H Housing)



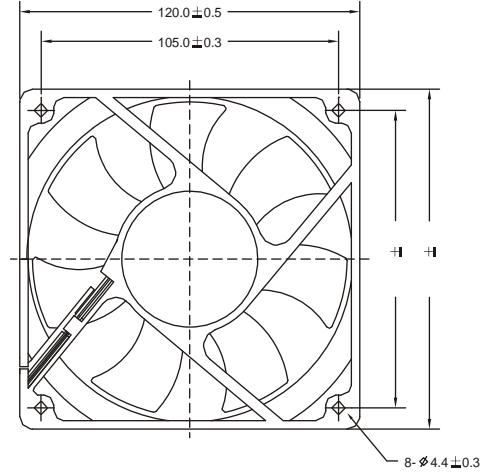
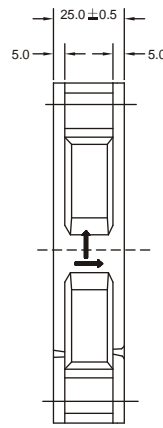
Listed Model	Bearing System	Housing Type	Rated Voltage	Startup Voltage	Rated Current	Speed	Air Flow	Air Flow	Static Pressure	Noise Level	Motor Protection					Weight Gram	Packing	
			VDC	VDC	A	RPM	CFM	CMM	mmH ₂ O	dBA	Resistance Protected	Auto Start	Thermal Speed Control	Alarm Output	Tachometer Output		Qty./Ctn Purchase	G.W./Ctn Kgs
RDH1225S	Sleeve	H	12	6.0	0.40	2400	91.63	2.595	4.87	40.10	♦	♦	♦	♦	♦	164	60	11.0
RDM1225S				6.0	0.23	2000	76.92	2.178	3.58	33.23	♦	♦	♦	♦	♦			
RDL1225S				6.0	0.18	1700	65.12	1.844	2.65	31.57	♦	♦	♦	♦	♦			
RDH1225B	Ball			6.0	0.40	2400	91.63	2.595	4.87	40.10	♦	♦	♦	♦	♦			
RDM1225B				6.0	0.23	2000	76.92	2.178	3.58	33.23	♦	♦	♦	♦	♦			
RDL1225B				6.0	0.18	1700	65.12	1.844	2.65	31.57	♦	♦	♦	♦	♦			
RDH1225S2	Sleeve	24	12.0	0.35	2400	91.63	2.595	4.87	40.10	♦	♦	♦	♦	♦				
RDM1225S2			12.0	0.20	2000	76.92	2.178	3.58	33.23	♦	♦	♦	♦	♦				
RDL1225S2			12.0	0.13	1700	65.12	1.844	2.65	31.57	♦	♦	♦	♦	♦				
RDH1225B2	Ball		12.0	0.35	2400	91.63	2.595	4.87	40.10	♦	♦	♦	♦	♦				
RDM1225B2			12.0	0.20	2000	76.92	2.178	3.58	33.23	♦	♦	♦	♦	♦				
RDL1225B2			12.0	0.13	1700	65.12	1.844	2.65	31.57	♦	♦	♦	♦	♦				

SAFETY APPROVALS (安規認證)

	CE	UL	CUL	TUV	CSA	VDE
12V	♦	♦	♦	♦	♦	
24V						♦



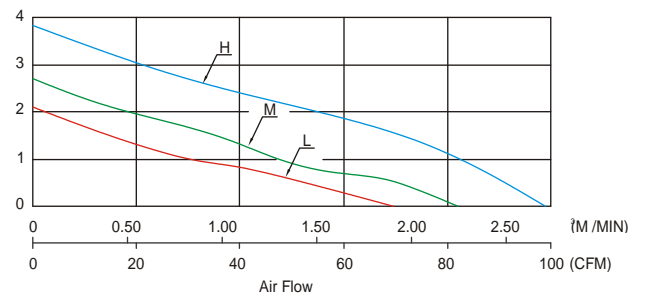
120x120x25mm (L Housing)



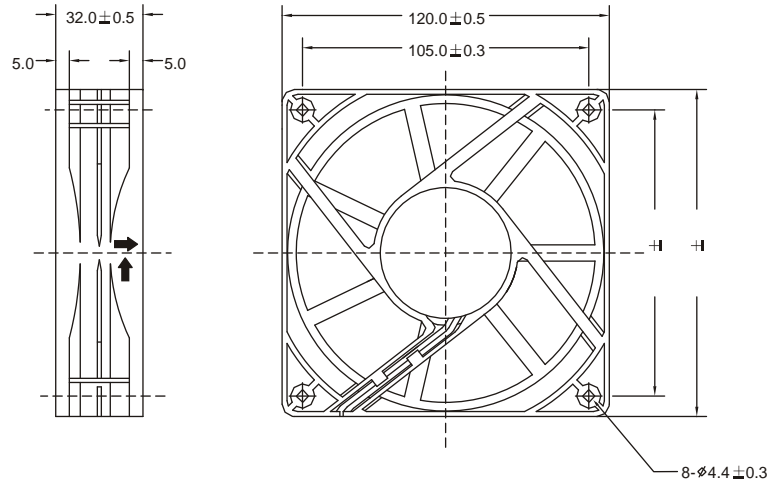
Listed Model	Bearing System	Housing Type	Rated Voltage	Startup Voltage	Rated Current	Speed	Air Flow	Air Flow	Static Pressure	Noise Level	Motor Protection					Weight Gram	Packing	
			VDC	VDC	A	RPM	CFM	CMM	mmH ₂ O	dBA	Resistance Protected	Auto Start	Thermal Speed Control	Alarm Output	Tachometer Output		Qty./Ctn Purchase	G.W./Ctn Kgs
RDH1225S	Sleeve	L	12	6.0	0.40	2400	99.61	2.821	3.86	36.74	♦	♦	♦	♦	♦	164	60	11.0
RDM1225S				6.0	0.23	2000	81.35	2.304	2.74	32.50	♦	♦	♦	♦	♦			
RDL1225S				6.0	0.18	1700	72.15	2.043	2.04	27.21	♦	♦	♦	♦	♦			
RDH1225B	Ball			6.0	0.40	2400	99.61	2.821	3.86	36.74	♦	♦	♦	♦	♦			
RDM1225B				6.0	0.23	2000	81.35	2.304	2.74	32.50	♦	♦	♦	♦	♦			
RDL1225B				6.0	0.18	1700	72.15	2.043	2.04	27.21	♦	♦	♦	♦	♦			
RDH1225S2	Sleeve	24	12.0	0.35	2400	99.61	2.821	3.86	36.74	♦	♦	♦	♦	♦				
RDM1225S2				0.20	2000	81.35	2.304	2.74	32.50	♦	♦	♦	♦	♦				
RDL1225S2				0.13	1700	72.15	2.043	2.04	27.21	♦	♦	♦	♦	♦				
RDH1225B2	Ball			0.35	2400	99.61	2.821	3.86	36.74	♦	♦	♦	♦	♦	♦			
RDM1225B2				0.20	2000	81.35	2.304	2.74	32.50	♦	♦	♦	♦	♦				
RDL1225B2				0.13	1700	72.15	2.043	2.04	27.21	♦	♦	♦	♦	♦				

SAFETY APPROVALS (安規認證)

	CE	UL	CUL	TUV	CSA	VDE
12V	♦	♦	♦	♦	♦	
24V						♦



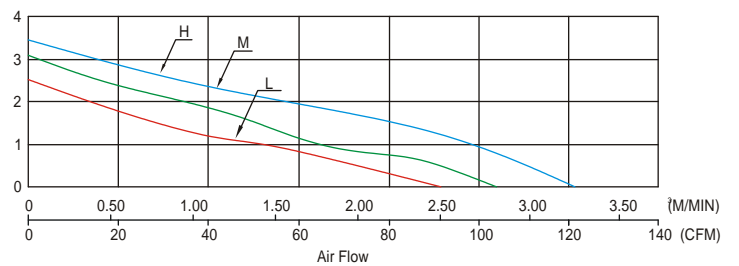
120x120x32mm



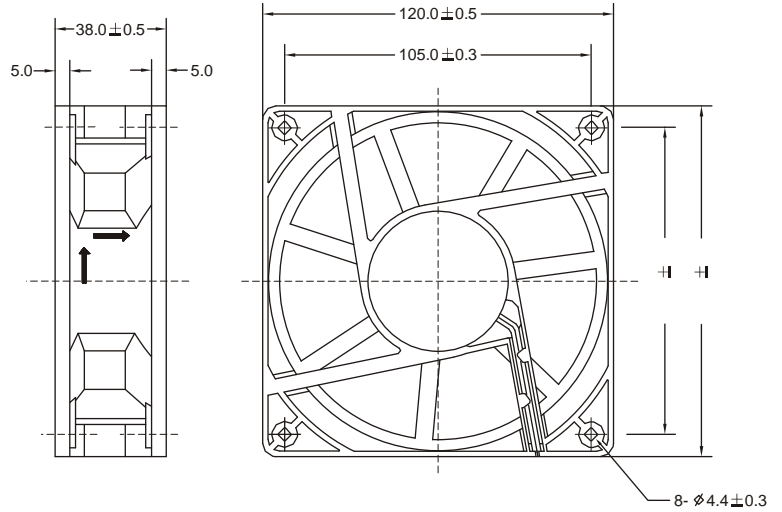
Listed Model	Bearing System	Housing Type	Rated Voltage	Startup Voltage	Rated Current	Speed	Air Flow	Air Flow	Static Pressure	Noise Level	Motor Protection					Weight Gram	Packing		
			VDC	VDC	A	RPM	CFM	CMM	mmH ₂ O	dBA	Resistance Protected	Auto Start	Thermal Speed Control	Alarm Output	Tachometer Output		Qty./Ctn Purchase	G.W./Ctn Kgs	
RDH1232S	Sleeve	B	12	6.0	0.60	3750	120.48	3.411	10.74	47.14	♦	♦	♦	♦	♦	250	40	11.0	
RDM1232S				6.0	0.50	3300	106.62	3.019	8.63	44.13	♦	♦	♦	♦	♦				
RDL1232S				6.0	0.32	2900	93.02	2.634	6.90	40.56	♦	♦	♦	♦	♦				
RDH1232B	Ball			6.0	0.60	3750	120.48	3.411	10.74	47.14	♦	♦	♦	♦	♦				
RDM1232B				6.0	0.50	3300	106.62	3.019	8.63	44.13	♦	♦	♦	♦	♦				
RDL1232B				6.0	0.32	2900	93.02	2.634	6.90	40.56	♦	♦	♦	♦	♦				
RDH1232S2	Sleeve		24	12.0	0.45	3750	120.48	3.411	10.74	47.14	47.14	♦	♦	♦	♦				♦
RDM1232S2				12.0	0.28	3300	106.62	3.019	8.63	44.13	44.13	♦	♦	♦	♦				♦
RDL1232S2				12.0	0.22	2900	93.02	2.634	6.90	40.56	40.56	♦	♦	♦	♦				♦
RDH1232B2	Ball			12.0	0.45	3750	120.48	3.411	10.74	47.14	47.14	♦	♦	♦	♦				♦
RDM1232B2				12.0	0.28	3300	106.62	3.019	8.63	44.13	44.13	♦	♦	♦	♦				♦
RDL1232B2				12.0	0.22	2900	93.02	2.634	6.90	40.56	40.56	♦	♦	♦	♦				♦
RDH1232S4	Sleeve	48	24.0	0.23	3750	120.48	3.411	10.74	47.14	47.14	♦	♦	♦	♦	♦				
RDM1232S4			24.0	0.18	3300	106.62	3.019	8.63	44.13	44.13	♦	♦	♦	♦	♦				
RDL1232S4			24.0	0.15	2900	93.02	2.634	6.90	40.56	40.56	♦	♦	♦	♦	♦				
RDH1232B4	Ball		24.0	0.23	3750	120.48	3.411	10.74	47.14	47.14	♦	♦	♦	♦	♦				
RDM1232B4			24.0	0.18	3300	106.62	3.019	8.63	44.13	44.13	♦	♦	♦	♦	♦				
RDL1232B4			24.0	0.15	2900	93.02	2.634	6.90	40.56	40.56	♦	♦	♦	♦	♦				

SAFETY APPROVALS (安規認證)

	CE	UL	CUL	TUV	VDE
12V	♦	♦	♦	♦	
24V	♦	♦	♦	♦	♦
48V	♦	♦	♦	♦	



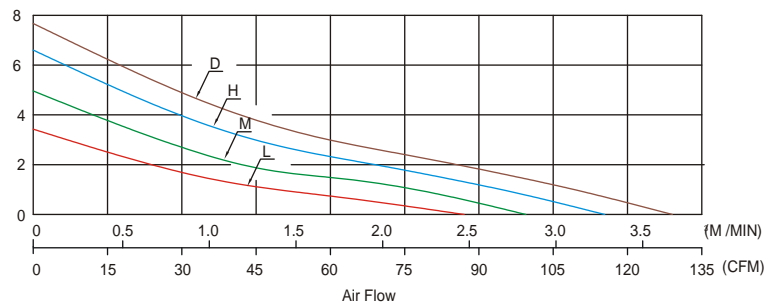
120x120x38mm



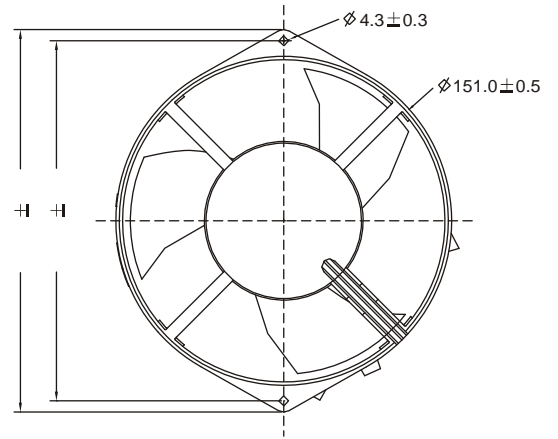
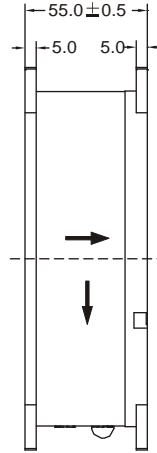
Listed Model	Bearing System	Housing Type	Rated Voltage	Startup Voltage	Rated Current	Speed	Air Flow	Air Flow	Static Pressure	Noise Level	Motor Protection					Weight Gram	Packing		
			VDC	VDC	A	RPM	CFM	CMM	mmH ₂ O	dBA	Resistance Protected	Auto Start	Thermal Speed Control	Alarm Output	Tachometer Output		Qty./Ctn Purchase	G.W./Ctn Kgs	
RDD1238S	Sleeve	B	12	6.0	6.0	0.60	3000	126.67	3.586	7.83	41.94	♦	♦	♦	♦	♦	260	40	12.5
RDH1238S				6.0	6.0	0.60	2700	113.36	3.210	6.50	40.80	♦	♦	♦	♦	♦			
RDM1238S				6.0	0.40	2400	100.48	2.845	5.22	36.50	♦	♦	♦	♦	♦				
RDL1238S				6.0	0.25	2000	83.21	2.356	3.73	31.51	♦	♦	♦	♦	♦				
RDD1238B	Ball			6.0	6.0	0.60	3000	126.67	3.586	7.83	41.94	♦	♦	♦	♦	♦			
RDH1238B				6.0	6.0	0.60	2700	113.36	3.210	6.50	40.80	♦	♦	♦	♦	♦			
RDM1238B				6.0	0.40	2400	100.48	2.845	5.22	36.50	♦	♦	♦	♦	♦				
RDL1238B				6.0	0.25	2000	83.21	2.356	3.73	31.51	♦	♦	♦	♦	♦				
RDD1238S2	Sleeve	24	12.0	0.40	3000	126.67	3.586	7.83	41.94	♦	♦	♦	♦	♦					
RDH1238S2			12.0	0.40	2700	113.36	3.210	6.50	40.80	♦	♦	♦	♦	♦					
RDM1238S2			12.0	0.30	2400	100.48	2.845	5.22	36.50	♦	♦	♦	♦	♦					
RDL1238S2			12.0	0.20	2000	83.21	2.356	3.73	31.51	♦	♦	♦	♦	♦					
RDD1238B2	Ball		12.0	0.40	3000	126.67	3.586	7.83	41.94	♦	♦	♦	♦	♦					
RDH1238B2			12.0	0.40	2700	113.36	3.210	6.50	40.80	♦	♦	♦	♦	♦					
RDM1238B2			12.0	0.30	2400	100.48	2.845	5.22	36.50	♦	♦	♦	♦	♦					
RDL1238B2			12.0	0.20	2000	83.21	2.356	3.73	31.51	♦	♦	♦	♦	♦					

SAFETY APPROVALS (安規認證)

	CE	UL	CUL	TUV	CSA
12V	♦	♦	♦	♦	♦
24V					



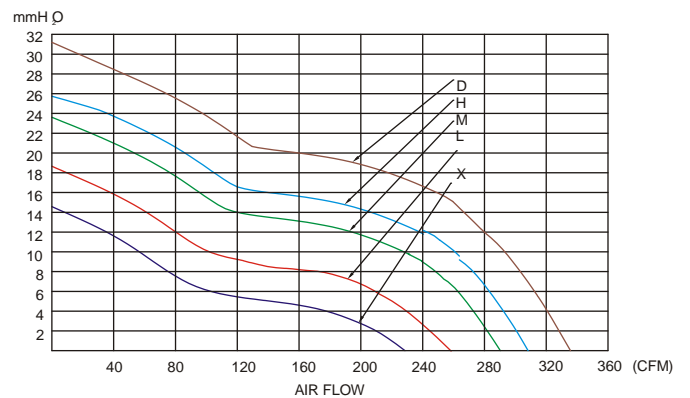
Ø151x55mm



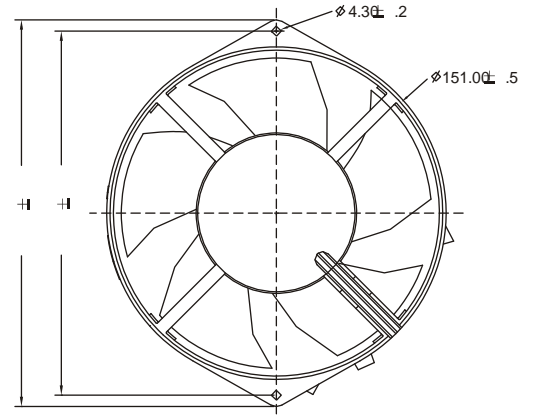
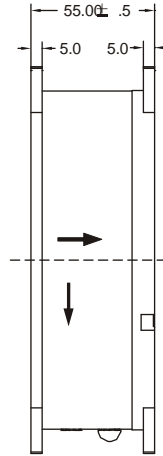
Listed Model	Bearing System	Housing Type	Rated Voltage	Startup Voltage	Rated Current	Speed	Air Flow	Air Flow	Static Pressure	Noise Level	Motor Protection					Weight Gram	Packing	
			VDC	VDC	A	RPM	CFM	CMM	mmH ₂ O	dBA	Resistance Protected	Auto Start	Thermal Speed Control	Alarm Output	Tachometer Output		Qty./Ctn Purchase	G.W./Ctn Kgs
RDD1555B2-3	Ball	D	24	12	1.7	4600	336	9.517	31.22	63.11	♦	♦		♦	♦	700	20	15
RDH1555B2-3				12	1.2	4200	305	8.637	25.79	60.74	♦	♦		♦	♦			
RDM1555B2-3				12	1.0	3900	280	7.929	23.16	58.28	♦	♦		♦	♦			
RDL1555B2-3				12	0.7	3500	253	7.164	18.66	56.85	♦	♦		♦	♦			
RDX1555B2-3				12	0.55	3200	236	6.683	14.57	54.35	♦	♦		♦	♦			
RDD1555B4-3	Ball		48	24	0.9	4600	336	9.515	31.22	63.11	♦	♦		♦	♦			
RDH1555B4-3					0.65	4200	305	8.637	25.79	60.74	♦	♦		♦	♦			
RDM1555B4-3					0.55	3900	280	7.929	23.16	58.28	♦	♦		♦	♦			
RDL1555B4-3					0.45	3500	253	7.164	18.66	56.85	♦	♦		♦	♦			
RDX1555B4-3					0.35	3200	236	6.683	14.57	54.35	♦	♦		♦	♦			

SAFETY APPROVALS (安規認證)

	CE	UL	CUL	TUV	CSA
24V					
48V					



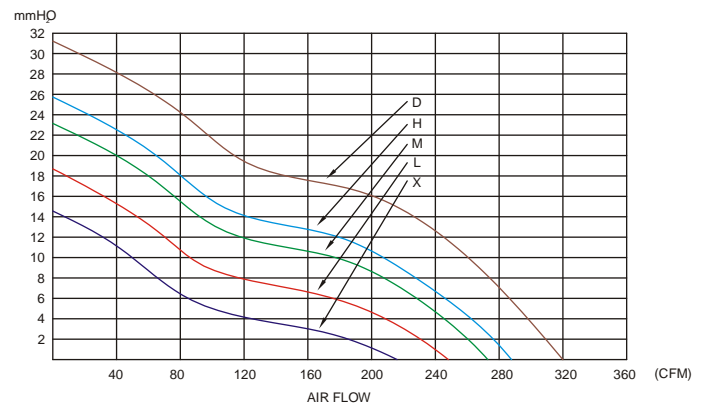
Ø151x55mm



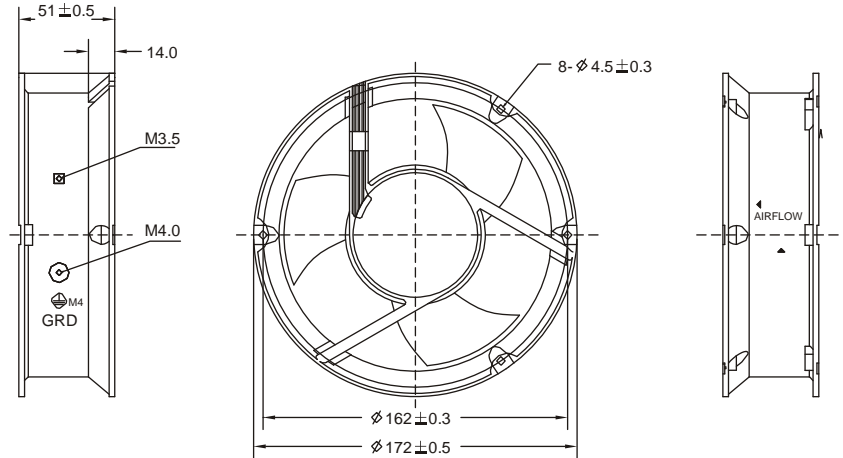
Listed Model	Bearing System	Housing Type	Rated Voltage	Startup Voltage	Rated Current	Speed	Air Flow	Air Flow	Static Pressure	Noise Level	Motor Protection					Weight Gram	Packing	
			VDC	VDC	A	RPM	CFM	CMM	mmH ₂ O	dBA	Resistance Protected	Auto Start	Thermal Speed Control	Alarm Output	Tachometer Output		Qty./Ctn Purchase	G.W./Ctn Kgs
RDD1555B2-5	Ball	D	24	12	1.7	4500	320	9.061	31.29	62.26	♦	♦		♦	♦	725	20	15.5
RDH1555B2-5				12	1.2	4000	281	7.957	27.73	60.41	♦	♦		♦	♦			
RDM1555B2-5				12	1.0	3800	268	7.589	26.39	59.44	♦	♦		♦	♦			
RDL1555B2-5				12	0.7	3400	236	6.683	20.99	55.71	♦	♦		♦	♦			
RDX1555B2-5				12	0.55	3100	223	6.315	18.26	53.25	♦	♦		♦	♦			
RDD1555B4-5	Ball		48	24	0.9	4500	320	9.061	31.29	62.26	♦	♦		♦	♦			
RDH1555B4-5					0.65	4000	281	7.957	27.73	60.41	♦	♦		♦	♦			
RDM1555B4-5					0.55	3800	268	7.589	26.39	59.44	♦	♦		♦	♦			
RDL1555B4-5					0.45	3400	236	6.683	20.99	55.71	♦	♦		♦	♦			
RDX1555B4-5					0.35	3100	223	6.315	18.26	53.25	♦	♦		♦	♦			

SAFETY APPROVALS (安規認證)

	CE	UL	CUL	TUV	CSA
24V					
48V					



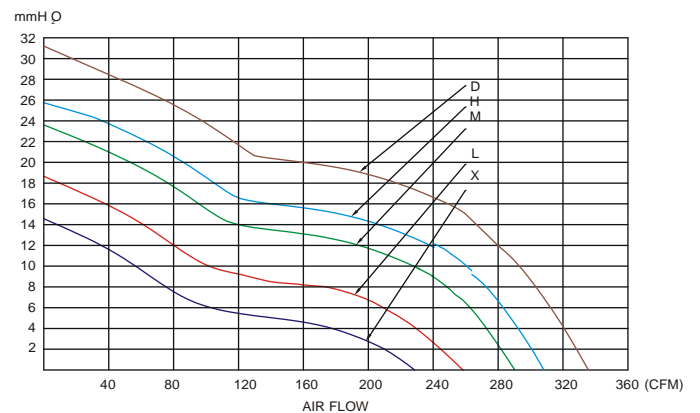
Ø172x51mm



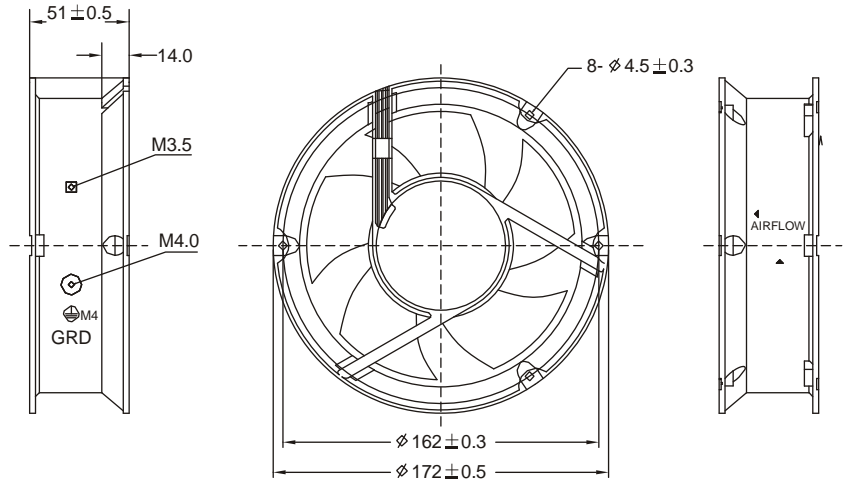
Listed Model	Bearing System	Housing Type	Rated Voltage	Startup Voltage	Rated Current	Speed	Air Flow	Air Flow	Static Pressure	Noise Level	Motor Protection					Weight Gram	Packing	
			VDC	VDC	A	RPM	CFM	CMM	mmH ₂ O	dBA	Resistance Protected	Auto Start	Thermal Speed Control	Alarm Output	Tachometer Output		Qty./Ctn Purchase	G.W./Ctn Kgs
RDD1725B2-3	Ball	B	24	12	1.7	4600	336	9.515	31.22	63.11	♦	♦		♦	♦	775	20	16.7
RDH1725B2-3				12	1.2	4200	305	8.637	25.79	60.74	♦	♦		♦	♦			
RDM1725B2-3				12	1.0	3900	280	7.929	23.16	58.28	♦	♦		♦	♦			
RDL1725B2-3				12	0.7	3500	253	7.164	18.66	56.85	♦	♦		♦	♦			
RDX1725B2-3				12	0.55	3200	236	6.683	14.57	54.35	♦	♦		♦	♦			
RDD1725B4-3	Ball		48	24	0.9	4600	336	9.515	31.22	63.11	♦	♦		♦	♦			
RDH1725B4-3					0.65	4200	305	8.637	25.79	60.74	♦	♦		♦	♦			
RDM1725B4-3					0.55	3900	280	7.929	23.16	58.28	♦	♦		♦	♦			
RDL1725B4-3					0.45	3500	253	7.164	18.66	56.85	♦	♦		♦	♦			
RDX1725B4-3					0.35	3200	236	6.683	14.57	54.35	♦	♦		♦	♦			

SAFETY APPROVALS (安規認證)

	CE	UL	CUL	TUV	CSA
24V					
48V					



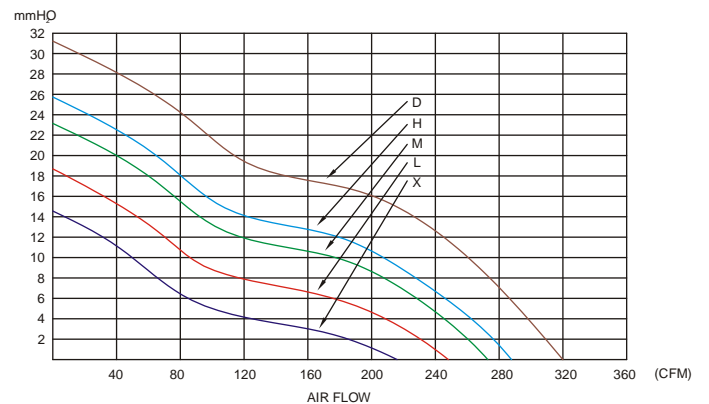
Ø172x51mm



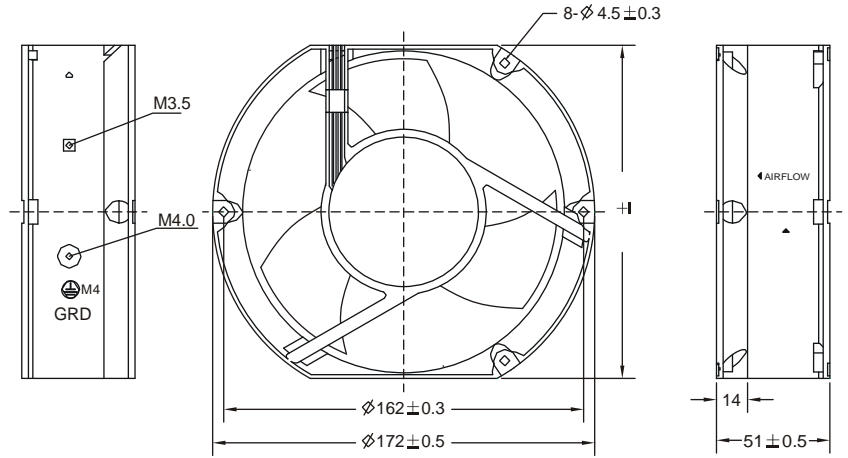
Listed Model	Bearing System	Housing Type	Rated Voltage	Startup Voltage	Rated Current	Speed	Air Flow	Air Flow	Static Pressure	Noise Level	Motor Protection					Weight Gram	Packing		
			VDC	VDC	A	RPM	CFM	CMM	mmH ₂ O	dBA	Resistance Protected	Auto Start	Thermal Speed Control	Alarm Output	Tachometer Output		Qty./Ctn Purchase	G.W./Ctn Kgs	
RDD1725B2-5	Ball	B	24	12	1.7	4500	320	9.061	31.29	62.26	♦	♦		♦	♦	800	20	17.2	
RDH1725B2-5				12	1.2	4000	281	7.957	27.73	60.41	♦	♦		♦	♦				
RDM1725B2-5				12	1.0	3800	268	7.589	26.39	59.44	♦	♦		♦	♦				
RDL1725B2-5				12	0.7	3400	236	6.683	20.99	55.71	♦	♦		♦	♦				
RDX1725B2-5				12	0.55	3100	223	6.315	18.26	53.25	♦	♦		♦	♦				
RDD1725B4-5	Ball		48	24	0.9	0.9	4500	320	9.061	31.29	62.26	♦	♦		♦				♦
RDH1725B4-5					0.65	0.65	4000	281	7.957	27.73	60.41	♦	♦		♦				♦
RDM1725B4-5					0.55	0.55	3800	268	7.589	26.39	59.44	♦	♦		♦				♦
RDL1725B4-5					0.45	0.45	3400	236	6.683	20.99	55.71	♦	♦		♦				♦
RDX1725B4-5					0.35	0.35	3100	223	6.315	18.26	53.25	♦	♦		♦				♦

SAFETY APPROVALS (安規認證)

	CE	UL	CUL	TUV	CSA
24V					
48V					



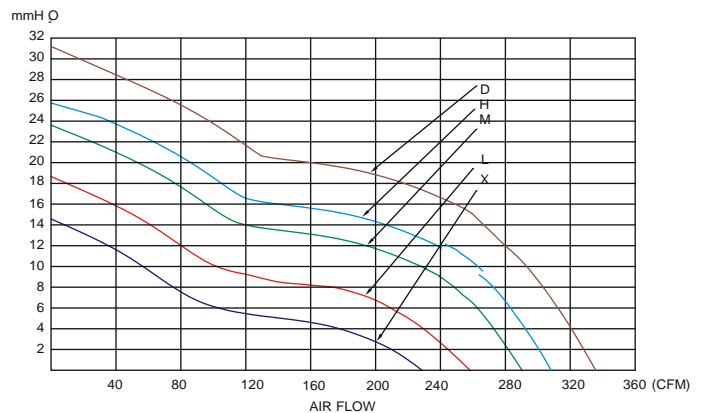
172x150x51mm



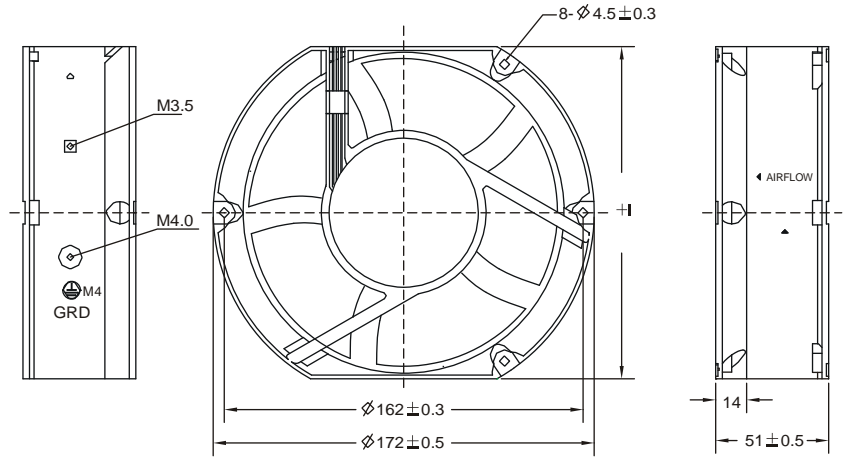
Listed Model	Bearing System	Housing Type	Rated Voltage	Startup Voltage	Rated Current	Speed	Air Flow	Air Flow	Static Pressure	Noise Level	Motor Protection					Weight Gram	Packing	
			VDC	VDC	A	RPM	CFM	CMM	mmH ₂ O	dBA	Resistance Protected	Auto Start	Thermal Speed Control	Alarm Output	Tachometer Output		Qty./Ctn Purchase	G.W./Ctn Kgs
RDD1751B2-3	Ball	H	24	12	1.7	4600	336	9.515	31.22	63.11	♦	♦		♦	♦	725	20	15.6
RDH1751B2-3				12	1.2	4200	305	8.637	25.79	60.74	♦	♦		♦	♦			
RDM1751B2-3				12	1.0	3900	280	7.929	23.16	58.28	♦	♦		♦	♦			
RDL1751B2-3				12	0.7	3500	253	7.164	18.66	56.85	♦	♦		♦	♦			
RDX1751B2-3				12	0.55	3200	236	6.683	14.57	54.35	♦	♦		♦	♦			
RDD1751B4-3	Ball		48	24	0.9	4600	336	9.515	31.22	63.11	♦	♦		♦	♦			
RDH1751B4-3					0.65	4200	305	8.637	25.79	60.74	♦	♦		♦	♦			
RDM1751B4-3					0.55	3900	280	7.929	23.16	58.28	♦	♦		♦	♦			
RDL1751B4-3					0.45	3500	253	7.164	18.66	56.85	♦	♦		♦	♦			
RDX1751B4-3					0.35	3200	236	6.683	14.57	54.35	♦	♦		♦	♦			

SAFETY APPROVALS (安規認證)

	CE	UL	CUL	TUV	CSA
24V					
48V					



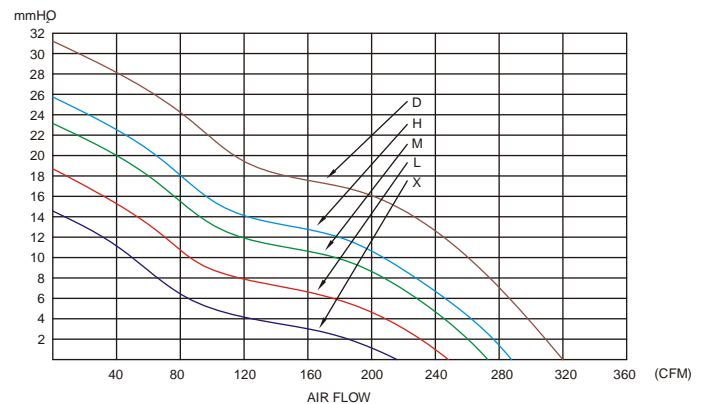
172x150x51mm



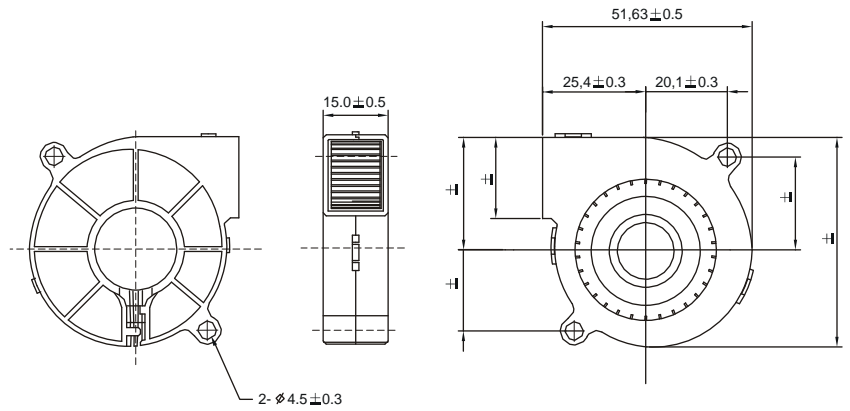
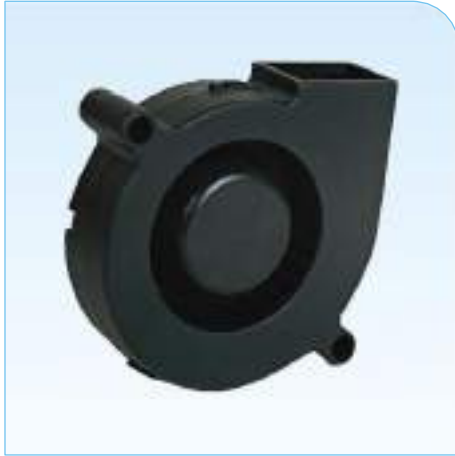
Listed Model	Bearing System	Housing Type	Rated Voltage	Startup Voltage	Rated Current	Speed	Air Flow	Air Flow	Static Pressure	Noise Level	Motor Protection					Weight Gram	Packing		
			VDC	VDC	A	RPM	CFM	CMM	mmH ₂ O	dBA	Resistance Protected	Auto Start	Thermal Speed Control	Alarm Output	Tachometer Output		Qty./Ctn Purchase	G.W./Ctn Kgs	
RDD1751B2-5	Ball	H	24	12	1.7	4500	320	9.061	31.29	62.26	♦	♦		♦	♦	750	20	16.1	
RDH1751B2-5				12	1.2	4000	288	8.155	27.73	60.41	♦	♦		♦	♦				
RDM1751B2-5				12	1.0	3800	274	7.759	26.39	59.44	♦	♦		♦	♦				
RDL1751B2-5				12	0.7	3400	245	6.938	20.99	55.71	♦	♦		♦	♦				
RDX1751B2-5				12	0.55	3100	222	6.286	18.26	53.25	♦	♦		♦	♦				
RDD1751B4-5	Ball		48	24	0.9	0.9	4500	320	9.061	31.29	62.26	♦	♦		♦				♦
RDH1751B4-5					0.65	0.65	4000	288	8.155	27.73	60.41	♦	♦		♦				♦
RDM1751B4-5					0.55	0.55	3800	274	7.759	26.39	59.44	♦	♦		♦				♦
RDL1751B4-5					0.45	0.45	3400	245	6.938	20.99	55.71	♦	♦		♦				♦
RDX1751B4-5					0.35	0.35	3100	222	6.286	18.26	53.25	♦	♦		♦				♦

SAFETY APPROVALS (安規認證)

	CE	UL	CUL	TUV	CSA
24V					
48V					



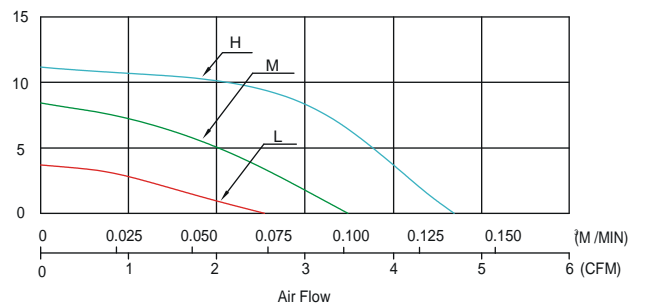
50x50x15mm



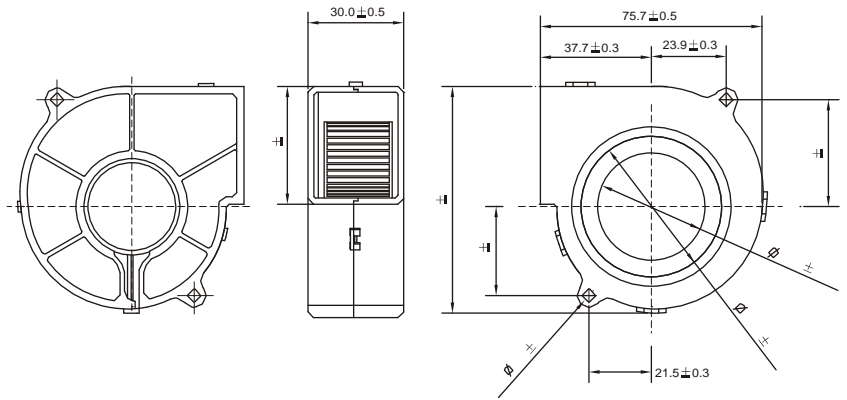
Listed Model	Bearing System	Housing Type	Rated Voltage	Startup Voltage	Rated Current	Speed	Air Flow	Air Flow	Static Pressure	Noise Level	Motor Protection					Weight Gram	Packing	
			VDC	VDC	A	RPM	CFM	CMM	mmH ₂ O	dBA	Resistance Protected	Auto Start	Thermal Speed Control	Alarm Output	Tachometer Output		Qty./Ctn Purchase	G.W./Ctn Kgs
RBH5015S	Sleeve	A	12	6.0	0.14	5000	4.42	0.125	11.58	38.09	♦	♦	♦	♦	♦	26	200	6.2
RBM5015S				6.0	0.09	4000	3.43	0.097	7.41	31.40	♦	♦	♦	♦	♦			
RBL5015S				8.0	0.05	3000	2.47	0.069	3.52	23.97	♦	♦	♦	♦	♦			
RBH5015B	Ball			6.0	0.14	5000	4.42	0.125	11.58	38.09	♦	♦	♦	♦	♦			
RBM5015B				6.0	0.09	4000	3.43	0.097	7.41	31.40	♦	♦	♦	♦	♦			
RBL5015B				8.0	0.05	3000	2.47	0.069	3.52	23.97	♦	♦	♦	♦	♦			

SAFETY APPROVALS (安規認證)

	CE	UL	CUL	TUV
12V	♦	♦	♦	♦



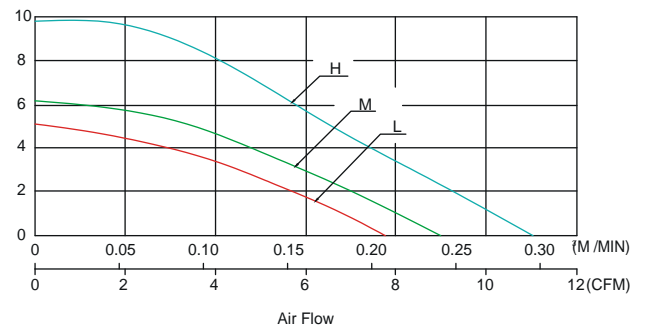
80x80x25mm



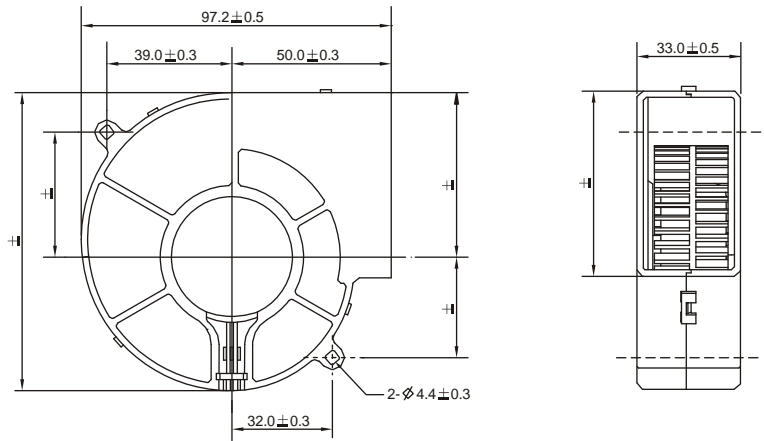
Listed Model	Bearing System	Housing Type	Rated Voltage	Startup Voltage	Rated Current	Speed	Air Flow	Air Flow	Static Pressure	Noise Level	Motor Protection					Weight Gram	Packing	
			VDC	VDC	A	RPM	CFM	CMM	mmH ₂ O	dBA	Resistance Protected	Auto Start	Thermal Speed Control	Alarm Output	Tachometer Output		Qty./Ctn Purchase	G.W./Ctn Kgs
RBH8025S1	Sleeve	A	12	6.0	0.23	3000	10.37	0.293	9.63	35.59	♦	♦	♦	♦	♦	75	80	6.8
RBM8025S1				6.0	0.16	2500	8.66	0.245	6.40	31.74	♦	♦	♦	♦	♦			
RBL8025S1				6.0	0.13	2000	6.99	0.197	3.75	25.06	♦	♦	♦	♦	♦			
RBH8025B1	Ball			6.0	0.23	3000	10.37	0.293	9.63	35.59	♦	♦	♦	♦	♦			
RBM8025B1				6.0	0.16	2500	8.66	0.245	6.40	31.74	♦	♦	♦	♦	♦			
RBL8025B1				6.0	0.13	2000	6.99	0.197	3.75	25.06	♦	♦	♦	♦	♦			

SAFETY APPROVALS (安規認證)

	CE	UL	CUL	TUV
12V	♦	♦	♦	♦



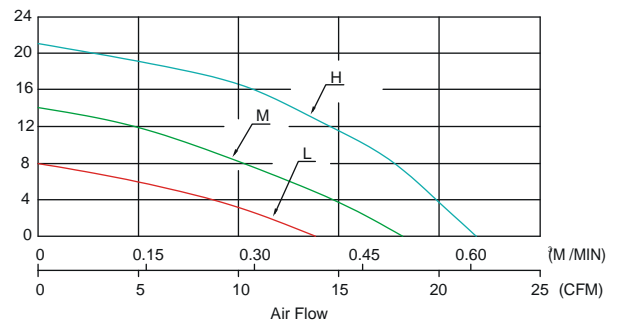
97x94x33mm



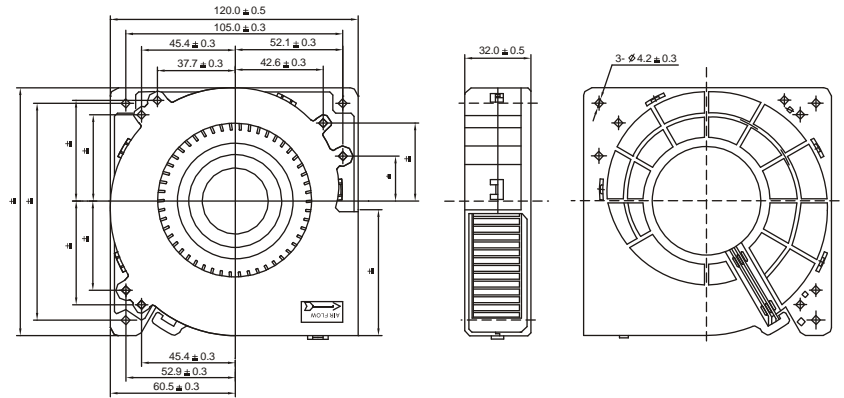
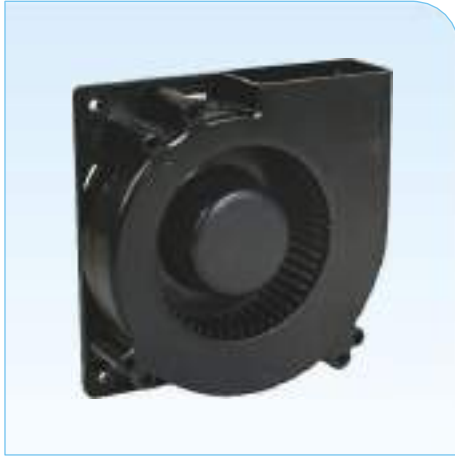
Listed Model	Bearing System	Housing Type	Rated Voltage	Startup Voltage	Rated Current	Speed	Air Flow	Air Flow	Static Pressure	Noise Level	Motor Protection					Weight Gram	Packing	
			VDC	VDC	A	RPM	CFM	CMM	mmH ₂ O	dBA	Resistance Protected	Auto Start	Thermal Speed Control	Alarm Output	Tachometer Output		Qty./Ctn Purchase	G.W./Ctn Kgs
RBH9733S	Sleeve	A	12	6.0	0.80	3300	21.80	0.617	20.42	45.47	♦	♦	♦	♦	♦	165	80	15.0
RBM9733S				6.0	0.50	2800	18.44	0.522	13.59	41.51	♦	♦	♦	♦	♦			
RBL9733S				6.0	0.30	2200	14.43	0.408	7.74	35.30	♦	♦	♦	♦	♦			
RBH9733B	Ball			6.0	0.80	3300	21.80	0.617	20.42	45.47	♦	♦	♦	♦	♦			
RBM9733B				6.0	0.50	2800	18.44	0.522	13.59	41.51	♦	♦	♦	♦	♦			
RBL9733B				6.0	0.30	2200	14.43	0.408	7.74	35.30	♦	♦	♦	♦	♦			
RBH9733S2	Sleeve	24	12.0	0.55	3300	21.80	0.617	20.42	45.47	♦	♦	♦	♦	♦				
RBM9733S2			12.0	0.35	2800	18.44	0.522	13.59	41.51	♦	♦	♦	♦	♦				
RBL9733S2			12.0	0.20	2200	14.43	0.408	7.74	35.30	♦	♦	♦	♦	♦				
RBH9733B2	Ball		12.0	0.55	3300	21.80	0.617	20.42	45.47	♦	♦	♦	♦	♦				
RBM9733B2			12.0	0.35	2800	18.44	0.522	13.59	41.51	♦	♦	♦	♦	♦				
RBL9733B2			12.0	0.20	2200	14.43	0.408	7.74	35.30	♦	♦	♦	♦	♦				
RBH9733S4	Sleeve	48	24.0	0.30	3300	21.80	0.617	20.42	45.47	♦	♦	♦	♦	♦				
RBM9733S4				0.20	2800	18.44	0.522	13.59	41.51	♦	♦	♦	♦	♦				
RBL9733S4				0.15	2200	14.43	0.408	7.74	35.30	♦	♦	♦	♦	♦				
RBH9733B4	Ball			0.30	3300	21.80	0.617	20.42	45.47	♦	♦	♦	♦	♦				
RBM9733B4				0.20	2800	18.44	0.522	13.59	41.51	♦	♦	♦	♦	♦				
RBL9733B4				0.15	2200	14.43	0.408	7.74	35.30	♦	♦	♦	♦	♦				

SAFETY APPROVALS (安規認證)

	CE	UL	CUL	TUV
12V	♦	♦	♦	♦
24V	♦	♦	♦	♦
48V	♦	♦	♦	♦



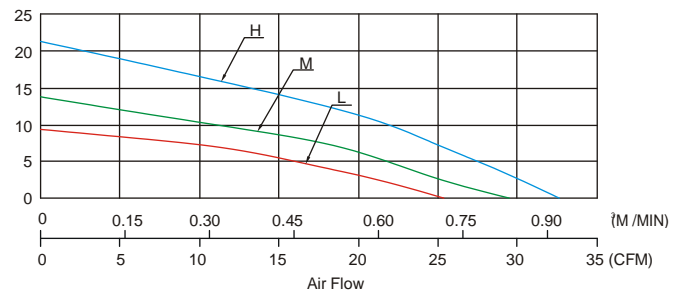
120x120x32mm



Listed Model	Bearing System	Housing Type	Rated Voltage	Startup Voltage	Rated Current	Speed	Air Flow	Air Flow	Static Pressure	Noise Level	Motor Protection					Weight Gram	Packing	
			VDC	VDC	A	RPM	CFM	CMM	mmH ₂ O	dBA	Resistance Protected	Auto Start	Thermal Speed Control	Alarm Output	Tachometer Output		Qty./Ctn Purchase	G.W./Ctn Kgs
RBH1232B	Ball	B	12	6.0	0.87	2100	33.13	0.938	20.14	47.98	♦	♦	♦	♦	♦	260	40	11.7
RBM1232B				6.0	0.60	1800	28.23	0.799	13.36	45.34	♦	♦	♦	♦	♦			
RBL1232B				6.0	0.49	1600	25.07	0.709	9.62	42.42	♦	♦	♦	♦	♦			
RBH1232B2			24	12.0	0.50	2100	33.13	0.938	20.14	47.98	♦	♦	♦	♦	♦			
RBM1232B2				12.0	0.35	1800	28.23	0.799	13.36	45.34	♦	♦	♦	♦	♦			
RBL1232B2				12.0	0.28	1600	25.07	0.709	9.62	42.42	♦	♦	♦	♦	♦			
RBH1232B4			48	24.0	0.30	2100	33.13	0.938	20.14	47.98	♦	♦	♦	♦	♦			
RBM1232B4				24.0	0.20	1800	28.23	0.799	13.36	45.34	♦	♦	♦	♦	♦			
RBL1232B4				24.0	0.15	1600	25.07	0.709	9.62	42.42	♦	♦	♦	♦	♦			

SAFETY APPROVALS (安規認證)

	CE	UL	CUL	TUV
12V	♦	♦	♦	♦
24V	♦	♦	♦	♦
48V	♦	♦	♦	♦



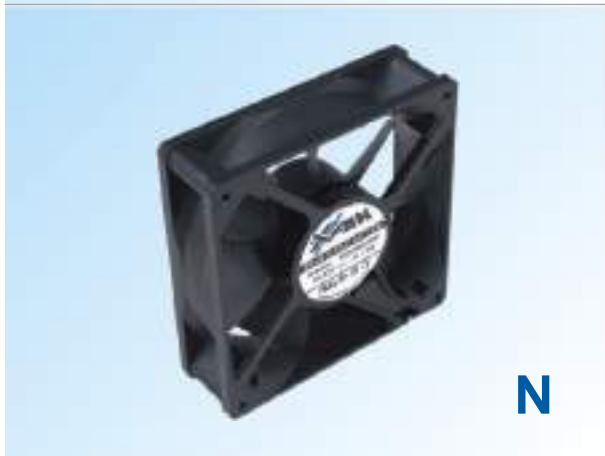
Crystal Fan



Framless Fan

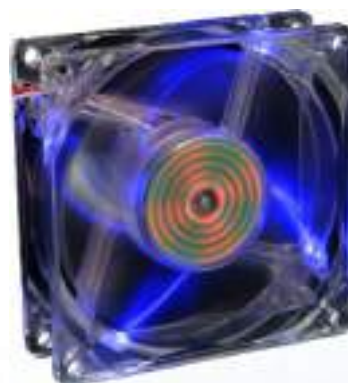


Housing Type

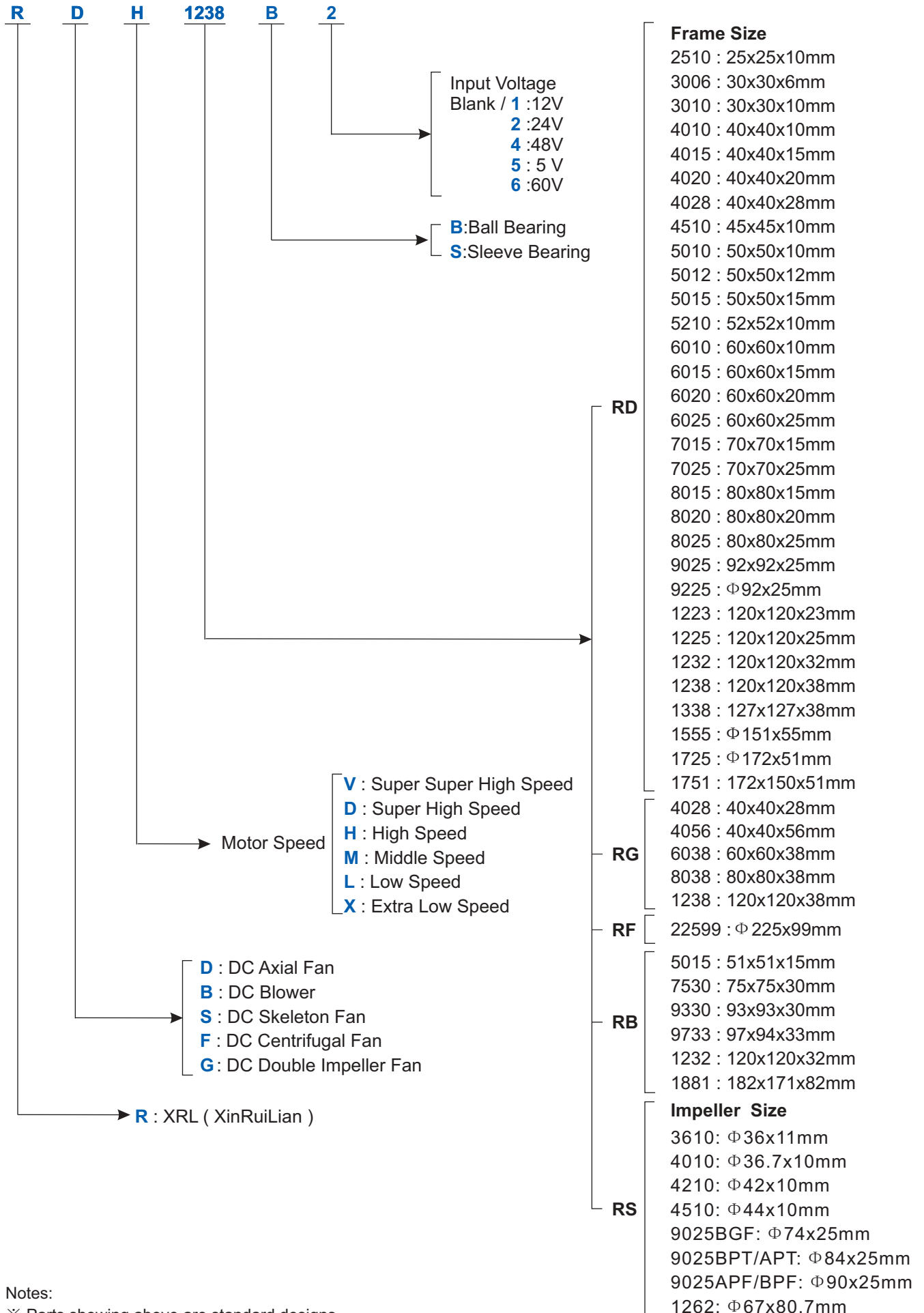


LED Fan

LED FAN



Model Numbering System



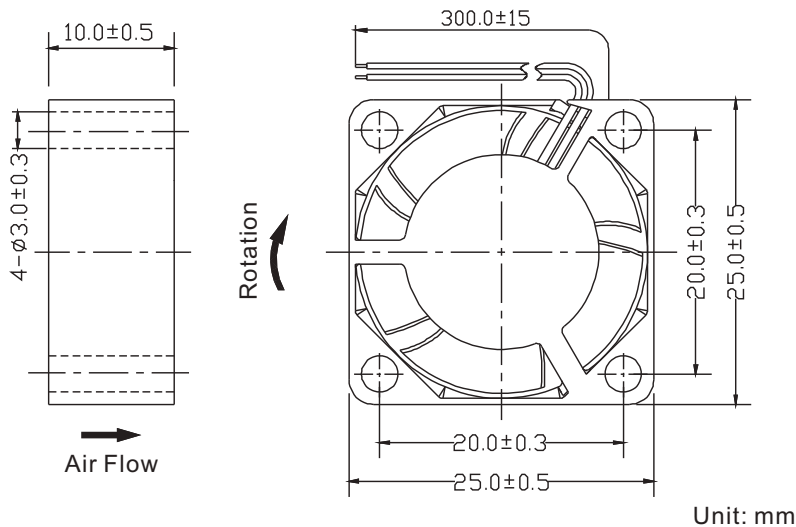
Notes:

- ※ Parts showing above are standard designs.
- ※ OEM & ODM projects welcomed.

Quick Reference

Fan Size	Rated Voltage (VDC)	Safety			Air Flow (CFM)	Noise (dBA)	Page
		UL/CUL	TUV	CE			
25x25x10mm	5/12	★	★	★	1.4~3.0	19~30	1
30x30x06mm	5/12	★	★	★	2.2~3.4	26~34	2
30x30x10mm	5/12	★	★	★	3.2~5.2	23~32	3
40x40x10mm	5/12/24	★	★	★	5.2~7.6	24~33	4
40x40x15mm	12	★	★	★	5.5~10.6	21~37	5
40x40x20mm	5/12/24	★	★	★	5.3~9.1	23~34	6~7
40x40x28mm	5/12/24	★	★	★	6.1~22.7	23~58	8~9
40x40x56mm	12	★	★	★	22.4~27.1	60~63	10
45x45x10mm	5/12	★	★	★	5.4~8.3	25~37	11
50x50x10mm	5/12	★	★	★	8.6~13.2	22~32	12
50x50x12mm	12	★	★	★	7.4~14.4	20~36	13
50x50x15mm	5/12/24	★	★	★	10.9~21.1	27~43	14~15
52x52x10mm	12	★	★	★	8.2~12.6	27~38	16
60x60x10mm	5/24				13.2~18.5	27~36	17
	12	★	★	★			
60x60x15mm	5/12	★	★	★	14.4~18.6	29~35	18
	24						
60x60x20mm	12	★	★	★	9.9~22.3	20~35	19~20
	24			★			
60x60x25mm	12/24/48	★	★	★	11.8~38.8	20~47	21~22
	60	★		★			
60x60x38mm	12/24	★	★	★	43.0~69.2	52~62	23
70x70x15mm	12/24	★	★	★	22.2~32.5	31~40	24
70x70x25mm	5/12/24	★	★	★	23.7~40.6	28~42	25
80x80x15mm	12	★	★	★	20.8~49.6	24~44	26~27
	24						
80x80x20mm	12/24	★	★	★	27.6~38.8	30~40	28
80x80x25mm	5/12/24/48	★	★	★	20.0~59.6	21~49	29~31
80x80x38mm	12/24/48	★	★	★	61.5~123.3	49~67	32
92x92x25mm	12/24/48	★	★	★	39.0~79.4	28~44	33~34
	60	★		★			
Φ92x25mm	12	★	★	★	38.1~79.2	26~46	35
	24						
120x120x23mm	12				64.7~84.0	29~36	36
120x120x25mm	12/24/48	★	★	★	60.5~116.8	31~45	37~39
	60	★		★			
120x120x32mm	12/24/48	★	★	★	93.0~151.1	44~55	40
	60	★		★			
120x120x38mm	12/24/48	★	★	★	80.4~283.0	35~65	41~43
	60	★		★			
127x127x38mm	12/24/48	★	★	★	128.1~222.9	49~61	44
Φ151x55mm	12/24/48	★	★	★	209.4~313.8	54~66	45~46
Φ172x51mm	12/24/48	★	★	★	211.8~321.6	54~65	47~48
172x172x51mm	12/24/48	★	★	★	211.8~320.5	56~67	49~50
Φ225x99mm	24/48				601.6~795.5	66~72	51
51x51x15mm	5/12/24	★	★	★	2.4~4.4	26~41	52
75x75x30mm	12/24	★	★	★	6.9~13.5	28~45	53
93x93x30mm	12/24	★	★	★	13.0~19.2	38~45	54
97x94x33mm	12/24/48	★	★	★	14.0~28.5	40~55	55~56
120x120x32mm	12/24/48	★	★	★	25.0~33.1	45~51	57
182x171x82mm	24/48	★	★	★	136.8	63	58
Φ36x11mm	12					24~31	59
Φ36.7x10mm	12	★	★	★		21~29	60
Φ42x10mm	12					21~27	61
Φ44x10mm	12	★	★	★		27~37	62
Φ74x25mm	12	★	★	★		27~41	63
Φ84x25mm	12	★	★	★		27~35	64
Φ90x25mm	12	★	★	★		27~38	65
Φ67x80.7mm	12		★	★		34~43	66

25x25x10mm



Unit: mm

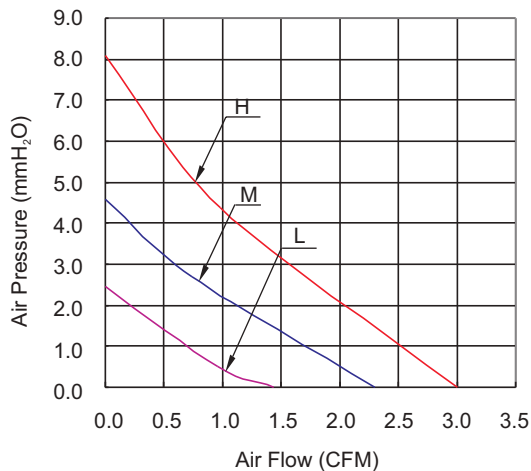
General Specification:

- Frame and Impeller : Thermal Plastic , UL 94V-0
- Lead Wires : UL Type
(+) : Red (-) : Black
- Operation Temperature : -10°C~70°C、
35%~85%RH
- Storage Temperature : -40°C~80°C、
35%~85%RH

Motor Protection:

- Impedance Protected
- Reverse Polarity Protected

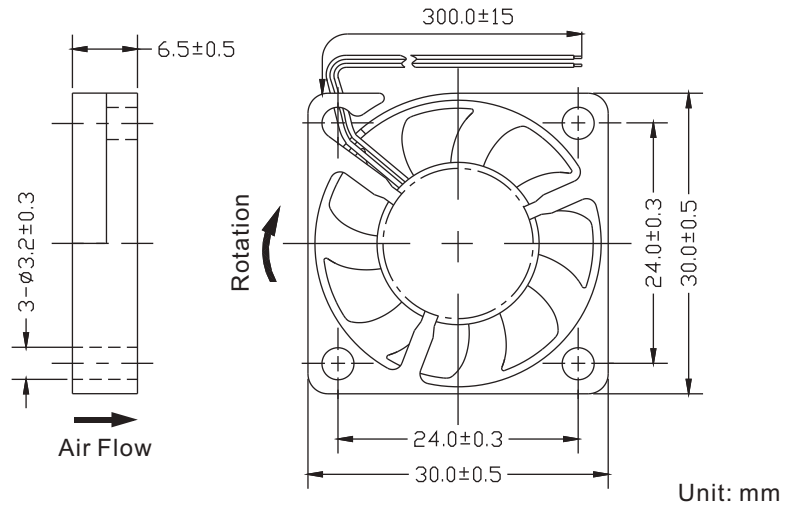
Performance Curves



Listed Model	Bearing System	Rated Voltage	Operation Voltage	Rated Current	Rated Speed	Air Flow	Air Pressure	Noise Level	Available Features (Optional)				Weight
		VDC	VDC	A	RPM	CFM	mmH ₂ O	dBA	Tachometer Output	Rotation Detector	Thermal Control	Pulse Width Modulation	g
RDH2510S5	Sleeve	5	3.5~5.75	0.16	13,000	3.0	8.1	30	•	•			7
RDM2510S5			3.5~5.75	0.12	10,000	2.3	4.6	23	•	•			
RDL2510S5			3.5~5.75	0.08	7,000	1.4	2.5	19	•	•			
RDH2510B5	Ball		3.5~5.75	0.16	13,000	3.0	8.1	30	•	•			
RDM2510B5			3.5~5.75	0.12	10,000	2.3	4.6	23	•	•			
RDL2510B5			3.5~5.75	0.08	7,000	1.4	2.5	19	•	•			
RDH2510S	Sleeve	12	6.0~13.8	0.10	13,000	3.0	8.1	30	•	•			7
RDM2510S			6.0~13.8	0.08	10,000	2.3	4.6	23	•	•			
RDL2510S			6.0~13.8	0.06	7,000	1.4	2.5	19	•	•			
RDH2510B	Ball		6.0~13.8	0.10	13,000	3.0	8.1	30	•	•			
RDM2510B			6.0~13.8	0.08	10,000	2.3	4.6	23	•	•			
RDL2510B			6.0~13.8	0.06	7,000	1.4	2.5	19	•	•			

Notes: ©All readings are typical values at rated voltage.
©Specifications are subjected to change without prior notice.

30x30x06mm



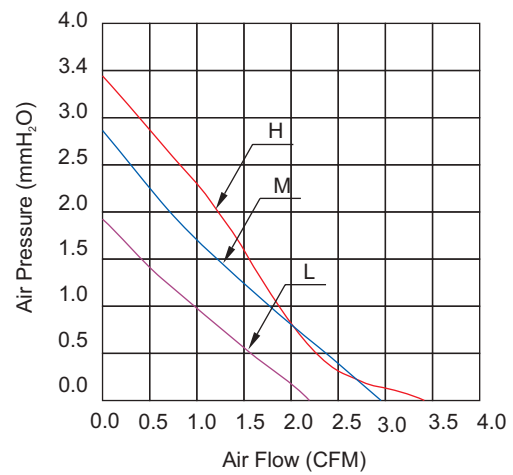
General Specification:

- Frame and Impeller : Thermal Plastic , UL 94V-0
- Lead Wires : UL Type
(+) : Red (-) : Black
- Operation Temperature : -10°C~70°C、
35%~85%RH
- Storage Temperature : -40°C~80°C、
35%~85%RH

Motor Protection:

- Impedance Protected
- Reverse Polarity Protected

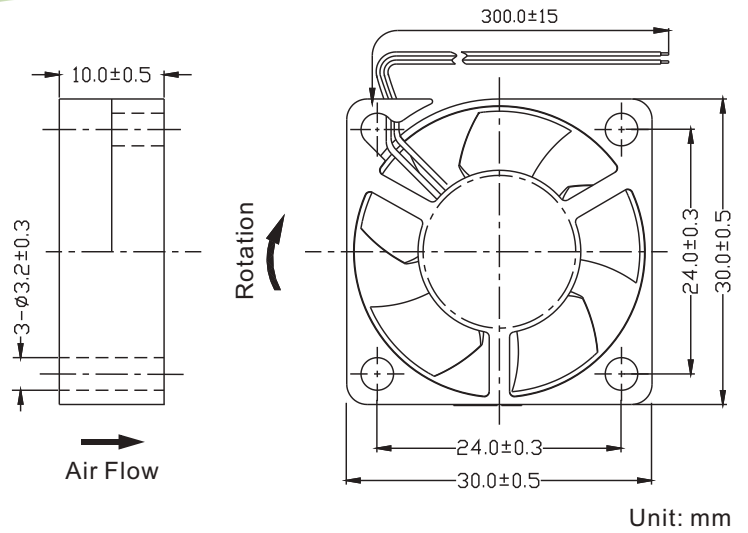
Performance Curves



Listed Model	Bearing System	Rated Voltage	Operation Voltage	Rated Current	Rated Speed	Air Flow	Air Pressure	Noise Level	Available Features (Optional)				Weight
		VDC	VDC	A	RPM	CFM	mmH ₂ O	dBA	Tachometer Output	Rotation Detector	Thermal Control	Pulse Width Modulation	g
RDH3006S5	Sleeve	5	3.5~5.75	0.22	10,500	3.4	3.4	34	•				6
RDM3006S5			4.0~5.75	0.17	9,000	2.9	2.8	30	•				
RDL3006S5			4.5~5.75	0.13	7,500	2.2	1.9	26	•				
RDH3006B5	Ball		3.5~5.75	0.22	10,500	3.4	3.4	34	•				
RDM3006B5			4.0~5.75	0.17	9,000	2.9	2.8	30	•				
RDL3006B5			4.5~5.75	0.13	7,500	2.2	1.9	26	•				
RDH3006S1	Sleeve	12	6~13.8	0.12	10,500	3.4	3.4	34	•				6
RDM3006S1			8~13.8	0.10	9,000	2.9	2.8	30	•				
RDL3006S1			10~13.8	0.08	7,500	2.2	1.9	26	•				
RDH3006B1	Ball		6~13.8	0.12	10,500	3.4	3.4	34	•				
RDM3006B1			8~13.8	0.10	9,000	2.9	2.8	30	•				
RDL3006B1			10~13.8	0.08	7,500	2.2	1.9	26	•				

Notes: ©All readings are typical values at rated voltage.
©Specifications are subjected to change without prior notice.

30x30x10mm



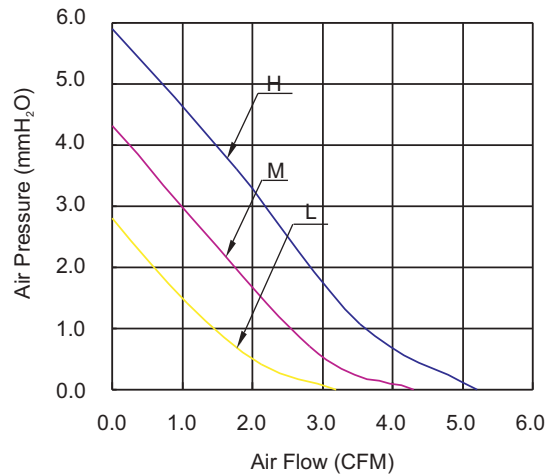
General Specification:

- Frame and Impeller : Thermal Plastic , UL 94V-0
- Lead Wires : UL Type
(+) : Red (-) : Black
- Operation Temperature : -10℃~70℃、
35%~85%RH
- Storage Temperature : -40℃~80℃、
35%~85%RH

Motor Protection:

- Impedance Protected
- Reverse Polarity Protected

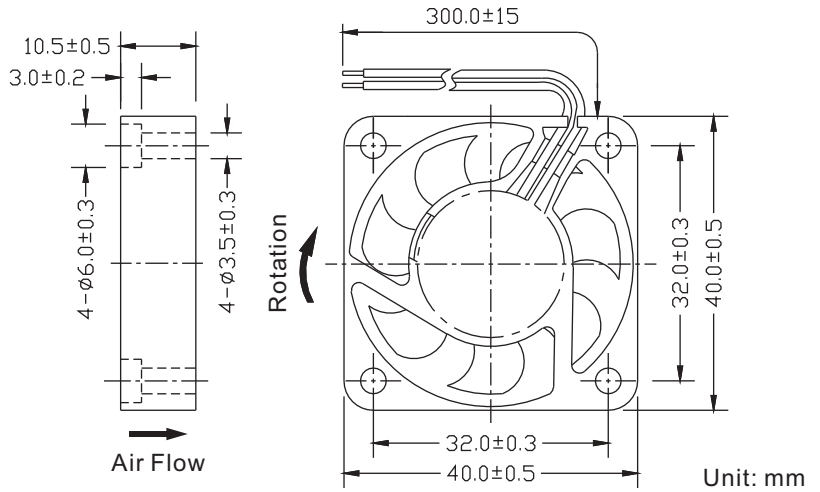
Performance Curves



Listed Model	Bearing System	Rated Voltage	Operation Voltage	Rated Current	Rated Speed	Air Flow	Air Pressure	Noise Level	Available Features (Optional)				Weight g
		VDC	VDC	A	RPM	CFM	mmH ₂ O	dBA	Tachometer Output	Rotation Detector	Thermal Control	Pulse Width Modulation	
RDH3010S5	Sleeve	5	3.5~5.75	0.20	11,000	5.2	5.9	32	•	•			8.5
RDM3010S5			3.5~5.75	0.14	9,000	4.3	4.3	27	•	•			
RDL3010S5			3.5~5.75	0.12	7,000	3.2	2.8	23	•	•			
RDH3010B5	Ball		3.5~5.75	0.20	11,000	5.2	5.9	32	•	•			
RDM3010B5			3.5~5.75	0.14	9,000	4.3	4.3	27	•	•			
RDL3010B5			3.5~5.75	0.12	7,000	3.2	2.8	23	•	•			
RDH3010S	Sleeve	12	6.0~13.8	0.10	11,000	5.2	5.9	32	•	•			
RDM3010S			6.0~13.8	0.09	9,000	4.3	4.3	27	•	•			
RDL3010S			6.0~13.8	0.06	7,000	3.2	2.8	23	•	•			
RDH3010B	Ball		6.0~13.8	0.10	11,000	5.2	5.9	32	•	•			
RDM3010B			6.0~13.8	0.09	9,000	4.3	4.3	27	•	•			
RDL3010B			6.0~13.8	0.06	7,000	3.2	2.8	23	•	•			

Notes: ©All readings are typical values at rated voltage.
©Specifications are subjected to change without prior notice.

40x40x10mm



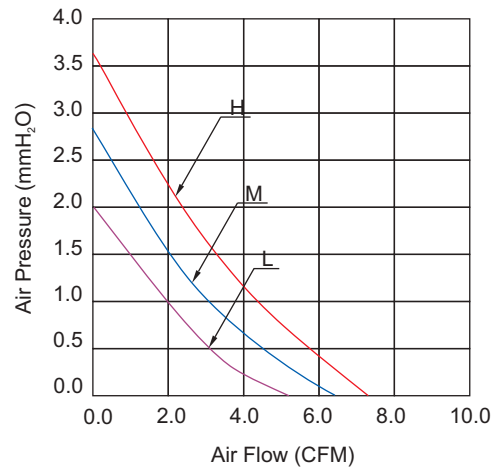
General Specification:

- Frame and Impeller : Thermal Plastic , UL 94V-0
- Lead Wires : UL Type
(+) : Red (-) : Black
- Operation Temperature : -10°C~70°C、
35%~85%RH
- Storage Temperature : -40°C~80°C、
35%~85%RH

Motor Protection:

- Impedance Protected
- Reverse Polarity Protected

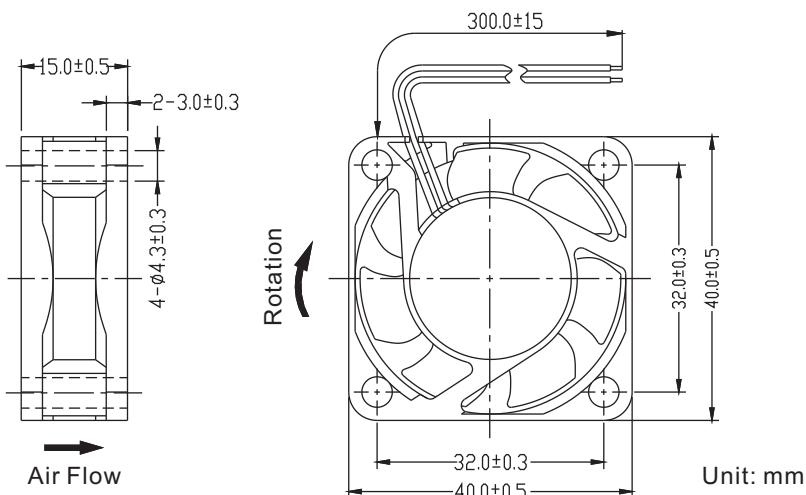
Performance Curves



Listed Model	Bearing System	Rated Voltage	Operation Voltage	Rated Current	Rated Speed	Air Flow	Air Pressure	Noise Level	Available Features (Optional)				Weight
		VDC	VDC	A	RPM	CFM	mmH ₂ O	dBA	Tachometer Output	Rotation Detector	Thermal Control	Pulse Width Modulation	
RDH4010S5	Sleeve	5	3.5~5.75	0.20	7,000	7.6	3.7	33	•	•			9
RDM4010S5			3.5~5.75	0.16	6,000	6.4	2.8	28	•	•			
RDL4010S5			3.5~5.75	0.13	5,000	5.2	2.0	24	•	•			
RDH4010B5	Ball		3.5~5.75	0.20	7,000	7.6	3.7	33	•	•			
RDM4010B5			3.5~5.75	0.16	6,000	6.4	2.8	28	•	•			
RDL4010B5			3.5~5.75	0.13	5,000	5.2	2.0	24	•	•			
RDH4010S1	Sleeve	12	6.0~13.8	0.09	7,000	7.6	3.7	33	•	•			16
RDM4010S1			6.0~13.8	0.07	6,000	6.4	2.8	28	•	•			
RDL4010S1			7.0~13.8	0.06	5,000	5.2	2.0	24	•	•			
RDH4010B1	Ball		6.0~13.8	0.09	7,000	7.6	3.7	33	•	•			
RDM4010B1			6.0~13.8	0.07	6,000	6.4	2.8	28	•	•			
RDL4010B1			7.0~13.8	0.06	5,000	5.2	2.0	24	•	•			
RDH4010S2	Sleeve	24	12.0~27.6	0.09	7,000	7.6	3.7	33	•	•			16
RDM4010S2			12.0~27.6	0.06	6,000	6.4	2.8	28	•	•			
RDL4010S2			16.0~27.6	0.05	5,000	5.2	2.0	24	•	•			
RDH4010B2	Ball		12.0~27.6	0.09	7,000	7.6	3.7	33	•	•			
RDM4010B2			12.0~27.6	0.06	6,000	6.4	2.8	28	•	•			
RDL4010B2			16.0~27.6	0.05	5,000	5.2	2.0	24	•	•			

Notes: ©All readings are typical values at rated voltage.
©Specifications are subjected to change without prior notice.

40x40x15mm



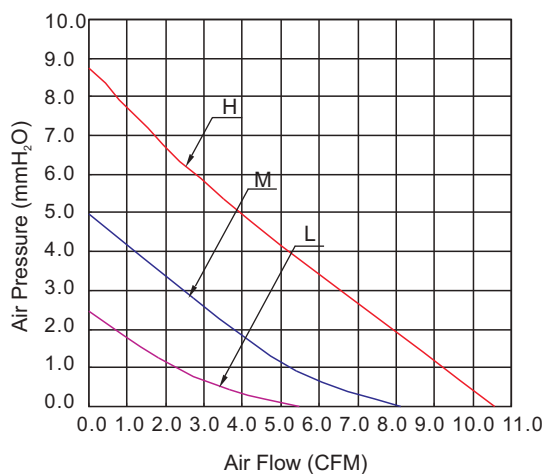
General Specification:

- Frame and Impeller : Thermal Plastic , UL 94V-0
- Lead Wires : UL Type
(+) : Red (-) : Black
- Operation Temperature : -10°C~70°C、
35%~85%RH
- Storage Temperature : -40°C~80°C、
35%~85%RH

Motor Protection:

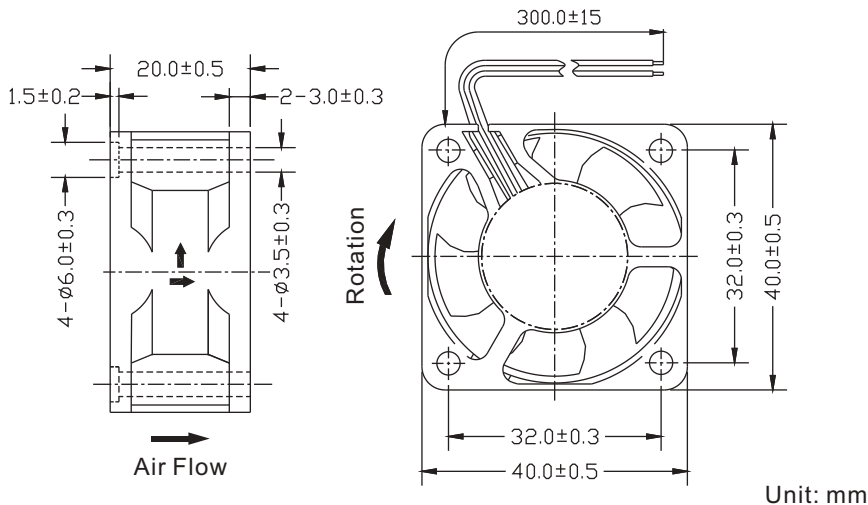
- Impedance Protected
- Reverse Polarity Protected

Performance Curves



Listed Model	Bearing System	Rated Voltage	Operation Voltage	Rated Current	Rated Speed	Air Flow	Air Pressure	Noise Level	Available Features (Optional)				Weight g
		VDC	VDC	A	RPM	CFM	mmH ₂ O	dBA	Tachometer Output	Rotation Detector	Thermal Control	Pulse Width Modulation	
RDH4015S1	Sleeve	12	6.0~13.8	0.26	8,500	10.6	8.8	37	•	•			23.5
RDM4015S1			6.0~13.8	0.18	6,500	8.1	5.0	30	•	•			
RDL4015S1			6.0~13.8	0.10	4,500	5.5	2.5	21	•	•			
RDH4015B1	Ball		6.0~13.8	0.26	8,500	10.6	8.8	37	•	•			
RDM4015B1			6.0~13.8	0.18	6,500	8.1	5.0	30	•	•			
RDL4015B1			6.0~13.8	0.10	4,500	5.5	2.5	21	•	•			
RDH4015C1	One Ball One Sleeve		6.0~13.8	0.26	8,500	10.6	8.8	37	•	•			
RDM4015C1			6.0~13.8	0.18	6,500	8.1	5.0	30	•	•			
RDL4015C1			6.0~13.8	0.10	4,500	5.5	2.5	21	•	•			

40x40x20mm



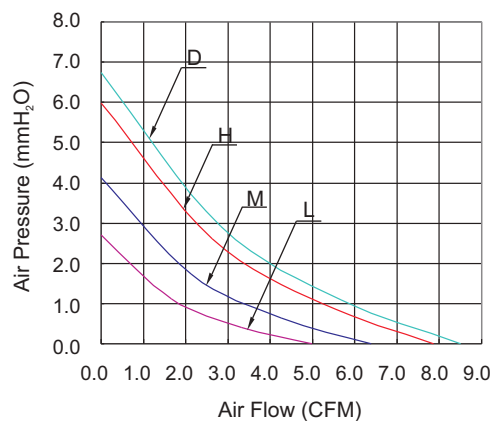
General Specification:

- Frame and Impeller : Thermal Plastic , UL 94V-0
- Lead Wires : UL Type
(+) : Red (-) : Black
- Operation Temperature : -10°C ~ 70°C ,
35% ~ 85%RH
- Storage Temperature : -40°C ~ 80°C ,
35% ~ 85%RH

Motor Protection:

- Impedance Protected
- Reverse Polarity Protected

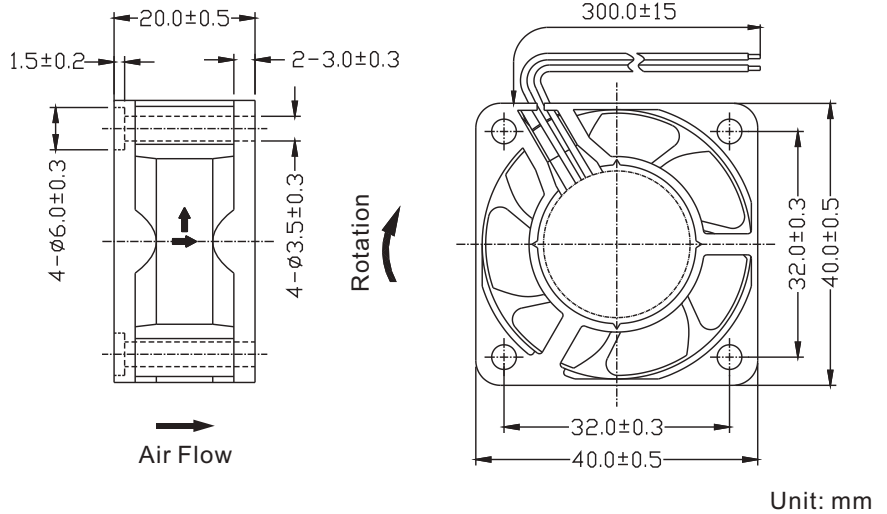
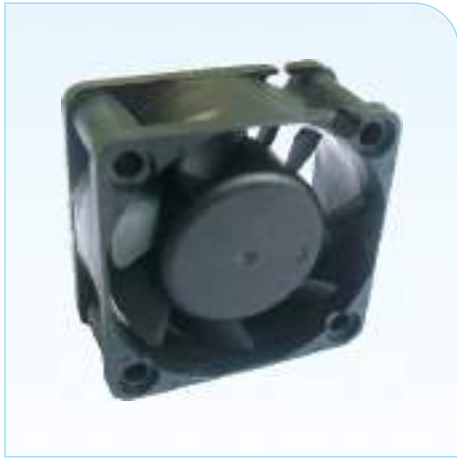
Performance Curves



Listed Model	Bearing System	Rated Voltage	Operation Voltage	Rated Current	Rated Speed	Air Flow	Air Pressure	Noise Level	Available Features (Optional)				Weight
		VDC	VDC	A	RPM	CFM	mmH ₂ O	dBA	Tachometer Output	Rotation Detector	Thermal Control	Pulse Width Modulation	g
RDD4020S5	Sleeve	5	3.5~5.75	0.40	8,000	8.5	6.8	33	•	•			29
RDH4020S5			3.5~5.75	0.28	7,500	7.9	6.0	31	•	•			
RDM4020S5			3.5~5.75	0.25	6,200	6.4	4.1	26	•	•			
RDL4020S5			3.5~5.75	0.20	5,000	5.0	2.7	22	•	•			
RDD4020B5	Ball		3.5~5.75	0.40	8,000	8.5	6.8	33	•	•			
RDH4020B5			3.5~5.75	0.28	7,500	7.9	6.0	31	•	•			
RDM4020B5			3.5~5.75	0.25	6,200	6.4	4.1	26	•	•			
RDL4020B5			3.5~5.75	0.20	5,000	5.0	2.7	22	•	•			
RDH4020S	Sleeve	12	6.0~13.8	0.12	8,000	8.5	6.8	33	•	•			
RDH4020S			6.0~13.8	0.12	7,500	7.9	6.0	31	•	•			
RDM4020S			6.0~13.8	0.10	6,200	6.4	4.1	26	•	•			
RDL4020S			6.0~13.8	0.06	5,000	5.0	2.7	22	•	•			
RDH4020B	Ball		6.0~13.8	0.12	8,000	8.5	6.8	33	•	•			
RDH4020B			6.0~13.8	0.12	7,500	7.9	6.0	31	•	•			
RDM4020B			6.0~13.8	0.10	6,200	6.4	4.1	26	•	•			
RDL4020B			6.0~13.8	0.06	5,000	5.0	2.7	22	•	•			
RDD4020S2	Sleeve	24	12.0~27.6	0.09	8,000	8.5	6.8	33	•	•			
RDH4020S2			12.0~27.6	0.07	7,500	7.9	6.0	31	•	•			
RDM4020S2			12.0~27.6	0.06	6,200	6.4	4.1	26	•	•			
RDL4020S2			12.0~27.6	0.05	5,000	5.0	2.7	22	•	•			
RDD4020B2	Ball		12.0~27.6	0.09	8,000	8.5	6.8	33	•	•			
RDH4020B2			12.0~27.6	0.07	7,500	7.9	6.0	31	•	•			
RDM4020B2			12.0~27.6	0.06	6,200	6.4	4.1	26	•	•			
RDL4020B2			12.0~27.6	0.05	5,000	5.0	2.7	22	•	•			

Notes: ©All readings are typical values at rated voltage.
©Specifications are subjected to change without prior notice.

40x40x20mm



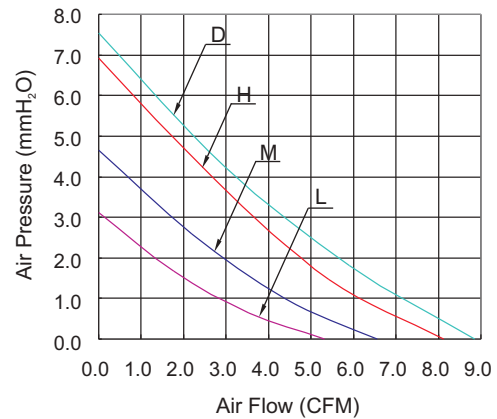
General Specification:

- Frame and Impeller : Thermal Plastic , UL 94V-0
- Lead Wires : UL Type
(+) : Red (-) : Black
- Operation Temperature : -10°C ~ 70°C ,
35% ~ 85%RH
- Storage Temperature : -40°C ~ 80°C ,
35% ~ 85%RH

Motor Protection:

- Impedance Protected
- Reverse Polarity Protected

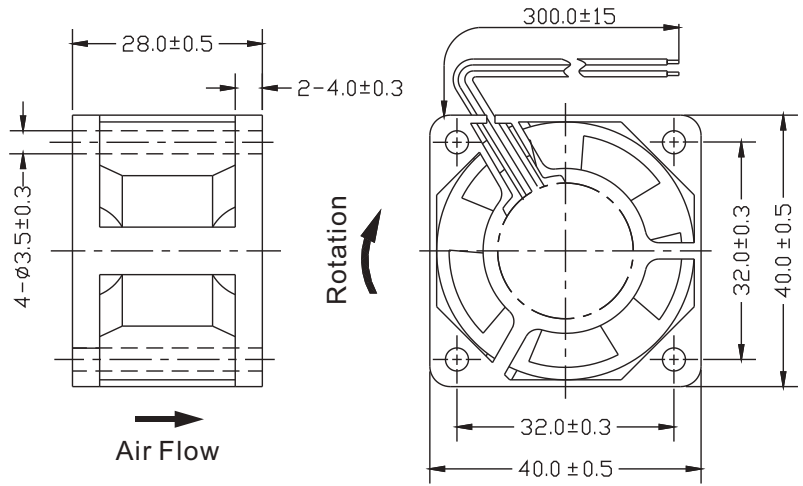
Performance Curves



Listed Model	Bearing System	Rated Voltage	Operation Voltage	Rated Current	Rated Speed	Air Flow	Air Pressure	Noise Level	Available Features (Optional)				Weight
		VDC	VDC	A	RPM	CFM	mmH ₂ O	dBA	Tachometer Output	Rotation Detector	Thermal Control	Pulse Width Modulation	
RDD4020S5	Sleeve	5	3.5~5.75	0.40	8,000	8.9	7.5	33	•	•			29
RDH4020S5			3.5~5.75	0.28	7,500	8.1	6.9	31	•	•			
RDM4020S5			3.5~5.75	0.25	6,200	6.6	4.7	27	•	•			
RDL4020S5			3.5~5.75	0.20	5,000	5.3	3.1	23	•	•			
RDD4020B5	Ball		3.5~5.75	0.40	8,000	8.9	7.5	33	•	•			
RDH4020B5			3.5~5.75	0.28	7,500	8.1	6.9	31	•	•			
RDM4020B5			3.5~5.75	0.25	6,200	6.6	4.7	27	•	•			
RDL4020B5			3.5~5.75	0.20	5,000	5.3	3.1	23	•	•			
RDH4020S	Sleeve	12	6.0~13.8	0.12	8,000	8.9	7.5	33	•	•			
RDH4020S			6.0~13.8	0.12	7,500	8.1	6.9	31	•	•			
RDM4020S			6.0~13.8	0.10	6,200	6.6	4.7	27	•	•			
RDL4020S			6.0~13.8	0.06	5,000	5.3	3.1	23	•	•			
RDH4020B	Ball		6.0~13.8	0.12	8,000	8.9	7.5	33	•	•			
RDH4020B			6.0~13.8	0.12	7,500	8.1	6.9	31	•	•			
RDM4020B			6.0~13.8	0.10	6,200	6.6	4.7	27	•	•			
RDL4020B			6.0~13.8	0.06	5,000	5.3	3.1	23	•	•			
RDD4020S2	Sleeve	24	12.0~27.6	0.09	8,000	8.9	7.5	33	•	•			
RDH4020S2			12.0~27.6	0.07	7,500	8.1	6.9	31	•	•			
RDM4020S2			12.0~27.6	0.06	6,200	6.6	4.7	27	•	•			
RDL4020S2			12.0~27.6	0.05	5,000	5.3	3.1	23	•	•			
RDD4020B2	Ball		12.0~27.6	0.09	8,000	8.9	7.5	33	•	•			
RDH4020B2			12.0~27.6	0.07	7,500	8.1	6.9	31	•	•			
RDM4020B2			12.0~27.6	0.06	6,200	6.6	4.7	27	•	•			
RDL4020B2			12.0~27.6	0.05	5,000	5.3	3.1	23	•	•			

Notes: © All readings are typical values at rated voltage.
© Specifications are subjected to change without prior notice.

40x40x28mm



Unit: mm

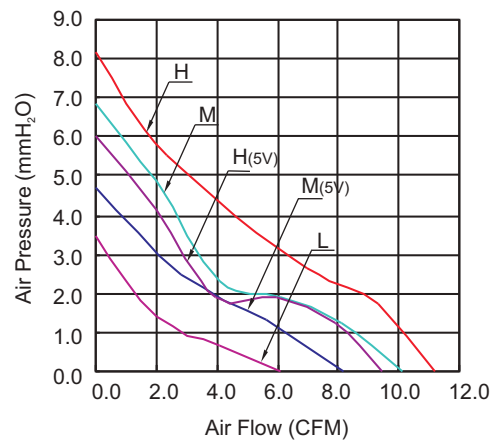
General Specification:

- Frame and Impeller : Thermal Plastic , UL 94V-0
- Lead Wires : UL Type
(+) : Red (-) : Black
- Operation Temperature : -10°C ~ 70°C ,
35% ~ 85%RH
- Storage Temperature : -40°C ~ 80°C ,
35% ~ 85%RH

Motor Protection:

- Impedance Protected
- Reverse Polarity Protected

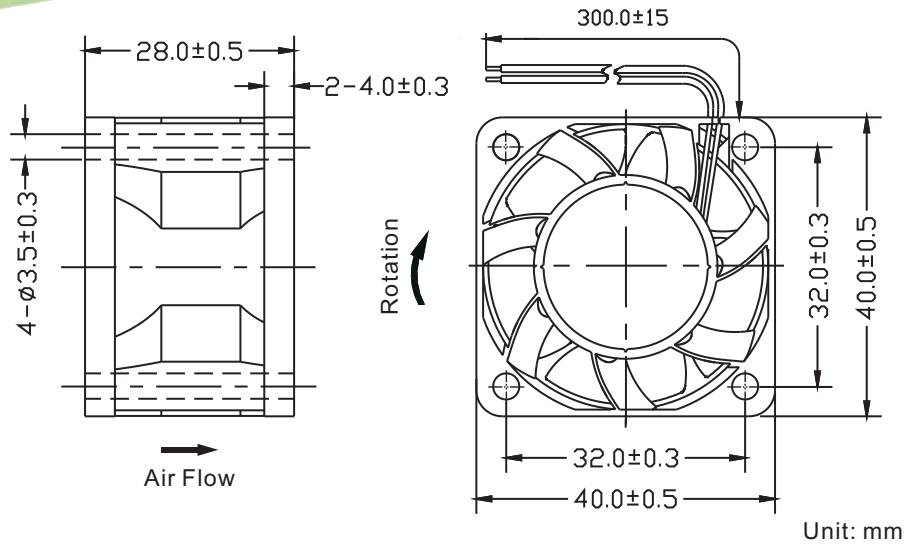
Performance Curves



Listed Model	Bearing System	Rated Voltage	Operation Voltage	Rated Current	Rated Speed	Air Flow	Air Pressure	Noise Level	Available Features (Optional)				Weight
		VDC	VDC	A	RPM	CFM	mmH ₂ O	dBA	Tachometer Output	Rotation Detector	Thermal Control	Pulse Width Modulation	
RDH4028S5	Sleeve	5	3.5~5.75	0.35	7,500	9.4	6.0	32	•	•			36
RDM4028S5			3.5~5.75	0.30	6,500	8.2	4.7	28	•	•			
RDL4028S5			3.5~5.75	0.22	5,000	6.1	3.5	23	•	•			
RDH4028B5	Ball		3.5~5.75	0.35	7,500	9.4	6.0	32	•	•			
RDM4028B5			3.5~5.75	0.30	6,500	8.2	4.7	28	•	•			
RDL4028B5			3.5~5.75	0.22	5,000	6.1	3.5	23	•	•			
RDH4028S	Sleeve	12	6.0~13.8	0.20	8,800	11.2	8.1	36	•	•			
RDM4028S			6.0~13.8	0.18	8,000	10.1	6.8	33	•	•			
RDL4028S			6.0~13.8	0.12	5,000	6.1	3.5	23	•	•			
RDH4028B	Ball		6.0~13.8	0.20	8,800	11.2	8.1	36	•	•			
RDM4028B			6.0~13.8	0.18	8,000	10.1	6.8	33	•	•			
RDL4028B			6.0~13.8	0.12	5,000	6.1	3.5	23	•	•			
RDH4028S2	Sleeve	24	12.0~27.6	0.16	8,800	11.2	8.1	36	•	•			
RDM4028S2			12.0~27.6	0.12	8,000	10.1	6.8	33	•	•			
RDL4028S2			12.0~27.6	0.09	5,000	6.1	3.5	23	•	•			
RDH4028B2	Ball		12.0~27.6	0.16	8,800	11.2	8.1	36	•	•			
RDM4028B2			12.0~27.6	0.12	8,000	10.1	6.8	33	•	•			
RDL4028B2			12.0~27.6	0.09	5,000	6.1	3.5	23	•	•			

Notes: ©All readings are typical values at rated voltage.
©Specifications are subjected to change without prior notice.

40x40x28mm



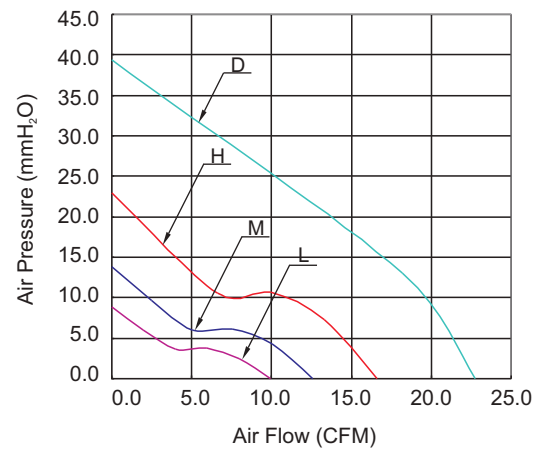
General Specification:

- Frame and Impeller : Thermal Plastic , UL 94V-0
- Lead Wires : UL Type
(+) : Red (-) : Black
- Operation Temperature : -10°C~70°C、
35%~85%RH
- Storage Temperature : -40°C~80°C、
35%~85%RH

Motor Protection:

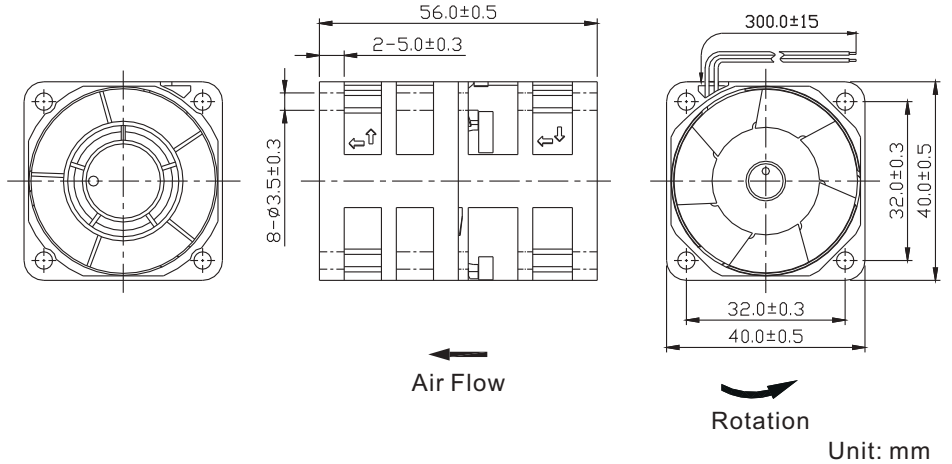
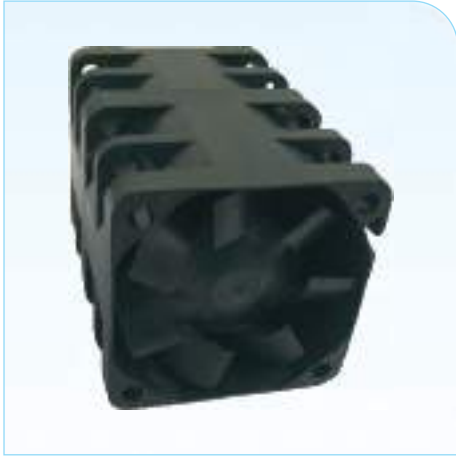
- Impedance Protected
- Reverse Polarity Protected

Performance Curves



Listed Model	Bearing System	Rated Voltage	Operation Voltage	Rated Current	Rated Speed	Air Flow	Air Pressure	Noise Level	Available Features (Optional)				Weight g
		VDC	VDC	A	RPM	CFM	mmH ₂ O	dBA	Tachometer Output	Rotation Detector	Thermal Control	Pulse Width Modulation	
RGD4028S1	Sleeve	12	6.0~13.8	0.65	17,500	22.7	39.4	58	•	•		•	41
RGH4028S1			6.0~13.8	0.38	13,000	16.5	22.9	50	•	•		•	
RGM4028S1			6.0~13.8	0.25	10,000	12.5	13.8	42	•	•		•	
RGL4028S1			6.0~13.8	0.15	8,000	9.9	9.0	36	•	•		•	
RGD4028B1	Ball		6.0~13.8	0.65	17,500	22.7	39.4	58	•	•		•	
RGH4028B1			6.0~13.8	0.38	13,000	16.5	22.9	50	•	•		•	
RGM4028B1			6.0~13.8	0.25	10,000	12.5	13.8	42	•	•		•	
RGL4028B1			6.0~13.8	0.15	8,000	9.9	9.0	36	•	•		•	
RGH4028S2	Sleeve	24	12.0~27.6	0.30	13,000	16.5	22.9	50	•	•		•	
RGM4028S2			12.0~27.6	0.15	10,000	12.5	13.8	42	•	•		•	
RGL4028S2			12.0~27.6	0.10	8,000	9.9	9.0	36	•	•		•	
RGH4028B2	Ball		12.0~27.6	0.30	13,000	16.5	22.9	50	•	•		•	
RGM4028B2			12.0~27.6	0.15	10,000	12.5	13.8	42	•	•		•	
RGL4028B2			12.0~27.6	0.10	8,000	9.9	9.0	36	•	•		•	

Notes: ©All readings are typical values at rated voltage.
©Specifications are subjected to change without prior notice.



Unit: mm

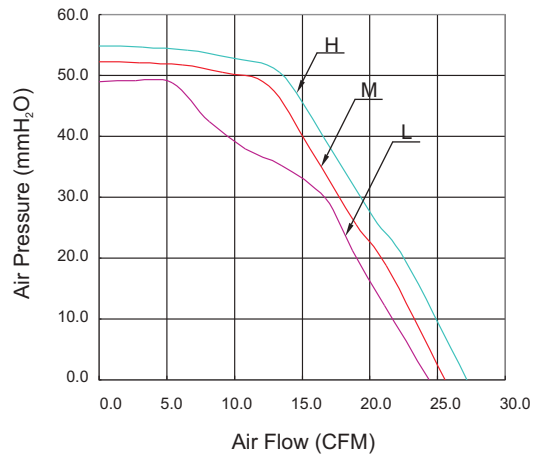
General Specification:

- Frame and Impeller : Thermal Plastic , UL 94V-0
- Lead Wires : UL Type
(+) : Red (-) : Black
- Operation Temperature : -10°C~70°C、
35%~85%RH
- Storage Temperature : -40°C~80°C、
35%~85%RH

Motor Protection:

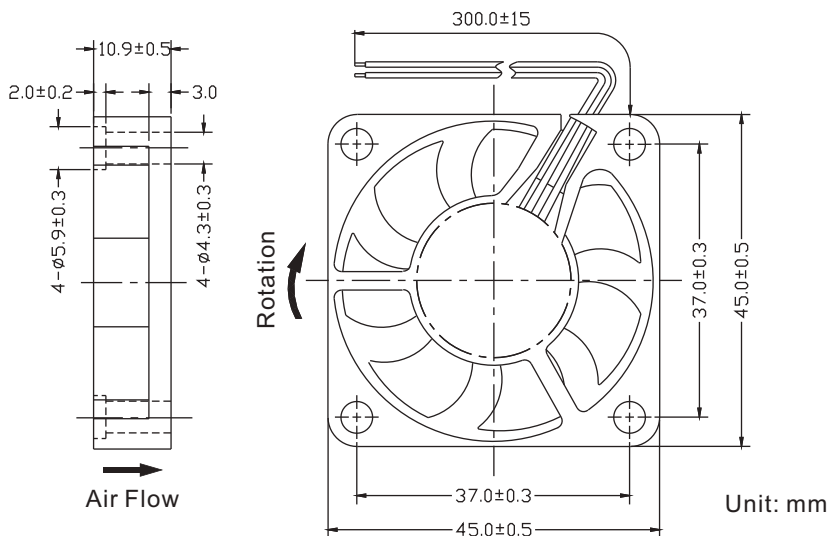
- Impedance Protected
- Reverse Polarity Protected

Performance Curves



Listed Model	Bearing System	Rated Voltage	Operation Voltage	Rated Current	Rated Speed	Air Flow	Air Pressure	Noise Level	Available Features (Optional)				Weight
		VDC	VDC	A	RPM	CFM	mmH ₂ O	dBA	Tachometer Output	Rotation Detector	Thermal Control	Pulse Width Modulation	g
RGH4056B1	Ball	12	6.0~13.8	1.20	16,500/14,000	27.1	54.8	63	•	•		•	90
RGM4056B1			6.0~13.8	1.00	16,500/11,000	25.5	52.3	62	•	•		•	
RGL4056B1			6.0~13.8	0.85	16,500/9,000	24.3	49.0	60	•	•		•	

45x45x10mm



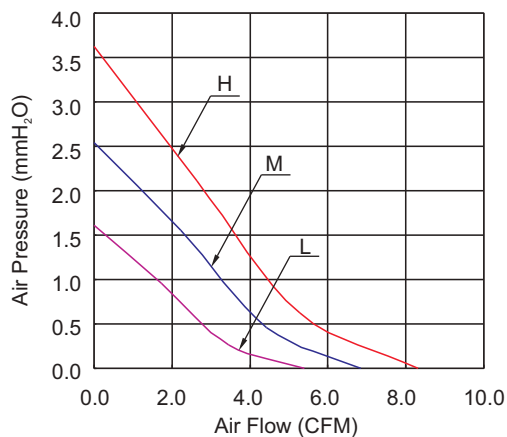
General Specification:

- Frame and Impeller : Thermal Plastic , UL 94V-0
- Lead Wires : UL Type
(+) : Red (-) : Black
- Operation Temperature : -10°C~70°C、
35%~85%RH
- Storage Temperature : -40°C~80°C、
35%~85%RH

Motor Protection:

- Impedance Protected
- Reverse Polarity Protected

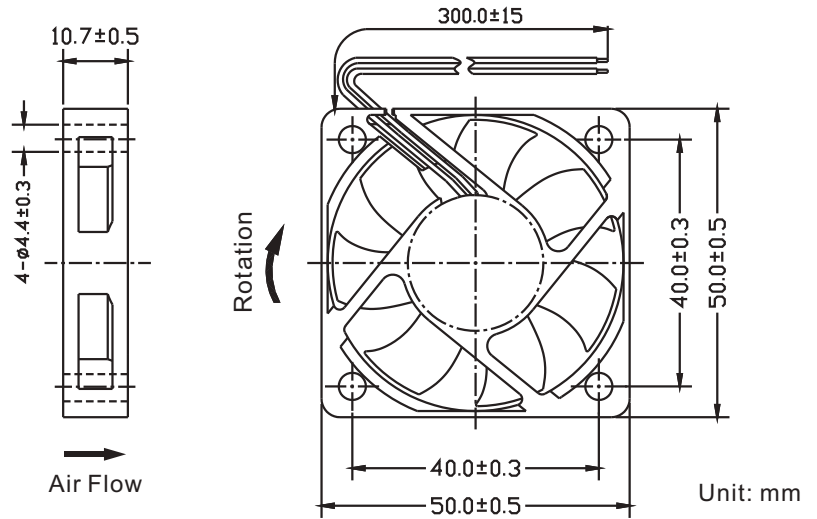
Performance Curves



Listed Model	Bearing System	Rated Voltage	Operation Voltage	Rated Current	Rated Speed	Air Flow	Air Pressure	Noise Level	Available Features (Optional)				Weight
		VDC	VDC	A	RPM	CFM	mmH ₂ O	dBA	Tachometer Output	Rotation Detector	Thermal Control	Pulse Width Modulation	g
RDH4510S5	Sleeve	5	3.5~5.75	0.21	6,000	8.3	3.6	37	•	•			15
RDM4510S5			3.5~5.75	0.16	5,000	6.8	2.5	30	•	•			
RDL4510S5			3.5~5.75	0.13	4,000	5.4	1.6	25	•	•			
RDH4510B5	Ball		3.5~5.75	0.21	6,000	8.3	3.6	37	•	•			
RDM4510B5			3.5~5.75	0.16	5,000	6.8	2.5	30	•	•			
RDL4510B5			3.5~5.75	0.13	4,000	5.4	1.6	25	•	•			
RDH4510S	Sleeve	12	6.0~13.8	0.10	6,000	8.3	3.6	37	•	•			
RDM4510S			6.0~13.8	0.09	5,000	6.8	2.5	30	•	•			
RDL4510S			7.0~13.8	0.08	4,000	5.4	1.6	25	•	•			
RDH4510B	Ball		6.0~13.8	0.10	6,000	8.3	3.6	37	•	•			
RDM4510B			6.0~13.8	0.09	5,000	6.8	2.5	30	•	•			
RDL4510B			7.0~13.8	0.08	4,000	5.4	1.6	25	•	•			

Notes: ©All readings are typical values at rated voltage.
©Specifications are subjected to change without prior notice.

50x50x10mm



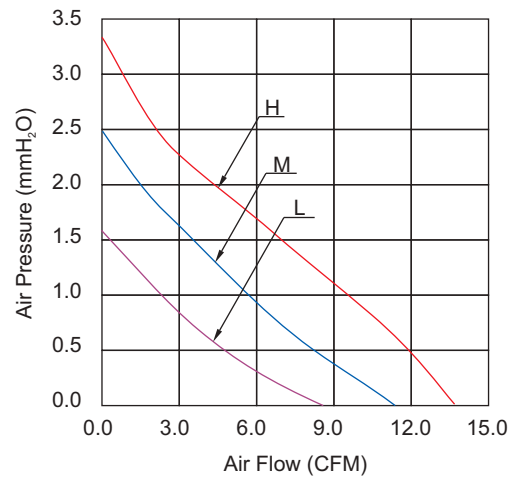
General Specification:

- Frame and Impeller : Thermal Plastic , UL 94V-0
- Lead Wires : UL Type
(+) : Red (-) : Black
- Operation Temperature : -10°C~70°C、
35%~85%RH
- Storage Temperature : -40°C~80°C、
35%~85%RH

Motor Protection:

- Impedance Protected
- Reverse Polarity Protected

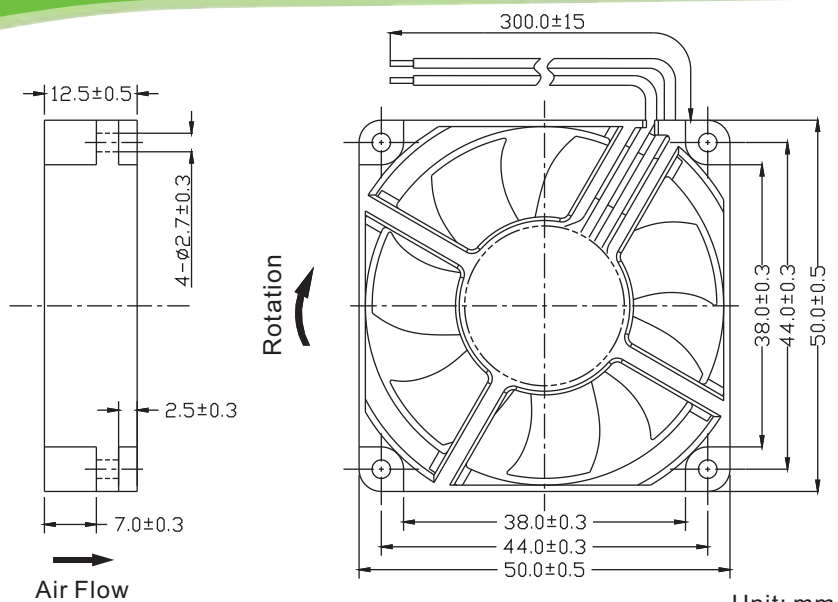
Performance Curves



Listed Model	Bearing System	Rated Voltage	Operation Voltage	Rated Current	Rated Speed	Air Flow	Air Pressure	Noise Level	Available Features (Optional)				Weight
		VDC	VDC	A	RPM	CFM	mmH ₂ O	dBA	Tachometer Output	Rotation Detector	Thermal Control	Pulse Width Modulation	g
RDH5010S5	Sleeve	5	3.5~5.75	0.30	5,300	13.2	3.3	32	•	•			19
RDM5010S5			3.5~5.75	0.20	4,500	11.0	2.5	28	•	•			
RDL5010S5			3.5~5.75	0.14	3,500	8.6	1.6	22	•	•			
RDH5010B5	Ball		3.5~5.75	0.30	5,300	13.2	3.3	32	•	•			
RDM5010B5			3.5~5.75	0.20	4,500	11.0	2.5	28	•	•			
RDL5010B5			3.5~5.75	0.14	3,500	8.6	1.6	22	•	•			
RDH5010S	Sleeve	12	6.0~13.8	0.16	5,300	13.2	3.3	32	•	•			
RDM5010S			6.0~13.8	0.08	4,500	11.0	2.5	28	•	•			
RDL5010S			7.0~13.8	0.07	3,500	8.6	1.6	22	•	•			
RDH5010B	Ball		6.0~13.8	0.16	5,300	13.2	3.3	32	•	•			
RDM5010B			6.0~13.8	0.08	4,500	11.0	2.5	28	•	•			
RDL5010B			7.0~13.8	0.07	3,500	8.6	1.6	22	•	•			

Notes: ©All readings are typical values at rated voltage.
©Specifications are subjected to change without prior notice.

50x50x12mm



Unit: mm

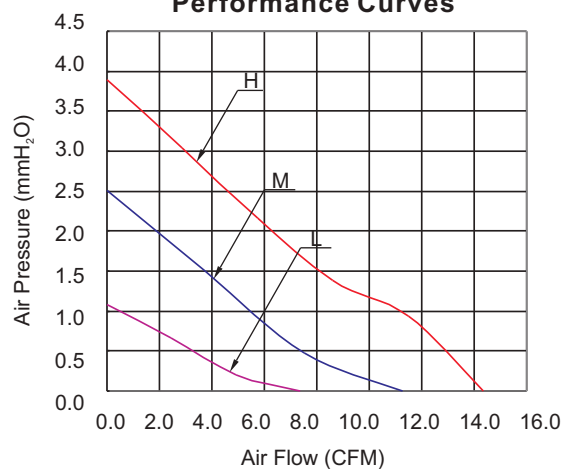
General Specification:

- Frame and Impeller : Thermal Plastic , UL 94V-0
- Lead Wires : UL Type
(+) : Red (-) : Black
- Operation Temperature : -10°C~70°C、
35%~85%RH
- Storage Temperature : -40°C~80°C、
35%~85%RH

Motor Protection:

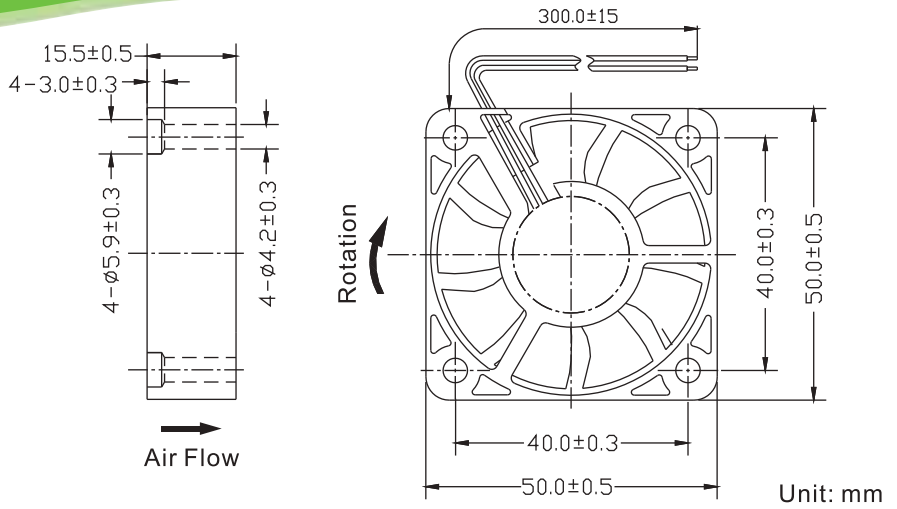
- Impedance Protected
- Reverse Polarity Protected

Performance Curves

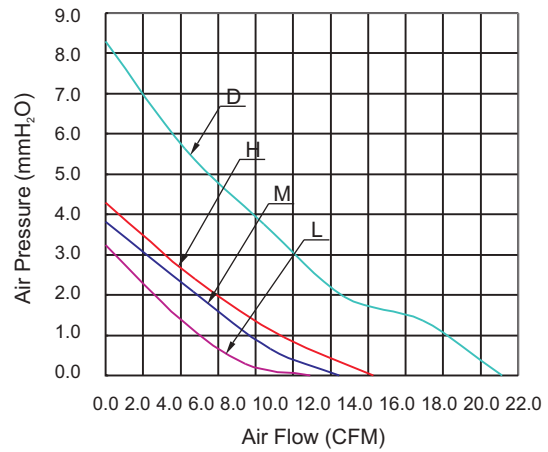


Listed Model	Bearing System	Rated Voltage	Operation Voltage	Rated Current	Rated Speed	Air Flow	Air Pressure	Noise Level	Available Features (Optional)				Weight
		VDC	VDC	A	RPM	CFM	mmH ₂ O	dBA	Tachometer Output	Rotation Detector	Thermal Control	Pulse Width Modulation	g
RDH5012S1	Sleeve	12	6.0~13.8	0.16	6,000	14.4	3.9	36	•	•			22
RDM5012S1			6.0~13.8	0.10	4,500	11.3	2.5	28	•	•			
RDL5012S1			8.0~13.8	0.06	3,000	7.4	1.1	20	•	•			
RDH5012B1	Ball		6.0~13.8	0.16	6,000	14.4	3.9	36	•	•			
RDM5012B1			6.0~13.8	0.10	4,500	11.3	2.5	28	•	•			
RDL5012B1			8.0~13.8	0.06	3,000	7.4	1.1	20	•	•			

50x50x15mm



Performance Curves



General Specification:

- Frame and Impeller : Thermal Plastic , UL 94V-0
- Lead Wires : UL Type
(+) : Red (-) : Black
- Operation Temperature : -10℃~70℃、
35%~85%RH
- Storage Temperature : -40℃~80℃、
35%~85%RH

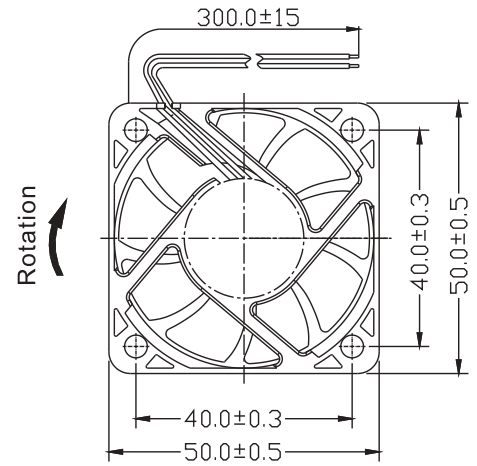
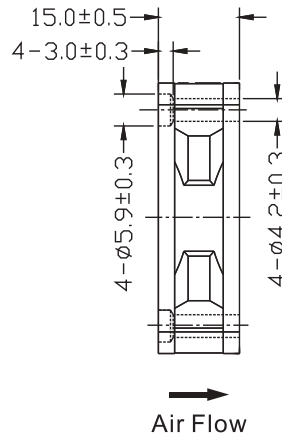
Motor Protection:

- Impedance Protected
- Reverse Polarity Protected

Listed Model	Bearing System	Rated Voltage	Operation Voltage	Rated Current	Rated Speed	Air Flow	Air Pressure	Noise Level	Available Features (Optional)				Weight
		VDC	VDC	A	RPM	CFM	mmH ₂ O	dBA	Tachometer Output	Rotation Detector	Thermal Control	Pulse Width Modulation	
RDH5015S5	Sleeve	5	3.5~5.75	0.33	5,500	14.2	4.3	32	•	•			31
RDM5015S5			3.5~5.75	0.25	5,000	12.4	3.8	31	•	•			
RDL5015S5			3.5~5.75	0.20	4,500	10.9	3.2	29	•	•			
RDH5015B5	Ball		3.5~5.75	0.33	5,500	14.2	4.3	32	•	•			
RDM5015B5			3.5~5.75	0.25	5,000	12.4	3.8	31	•	•			
RDL5015B5			3.5~5.75	0.20	4,500	10.9	3.2	29	•	•			
RDH5015S	Sleeve	12	6.0~13.8	0.16	5,500	14.2	4.3	32	•	•			
RDM5015S			6.0~13.8	0.14	5,000	12.4	3.8	31	•	•			
RDL5015S			6.0~13.8	0.12	4,500	10.9	3.2	29	•	•			
RDH5015B	Ball		6.0~13.8	0.16	5,500	14.2	4.3	32	•	•			
RDM5015B			6.0~13.8	0.14	5,000	12.4	3.8	31	•	•			
RDL5015B			6.0~13.8	0.12	4,500	10.9	3.2	29	•	•			
RDD5015S2	Sleeve	24	12.0~27.6	0.18	8,000	21.1	8.3	43	•	•			
RDH5015S2			12.0~27.6	0.10	5,500	14.2	4.3	32	•	•			
RDM5015S2			12.0~27.6	0.08	5,000	12.4	3.8	31	•	•			
RDL5015S2	12.0~27.6		0.06	4,500	10.9	3.2	29	•	•				
RDD5015B2	Ball		12.0~27.6	0.18	8,000	21.1	8.3	43	•	•			
RDH5015B2			12.0~27.6	0.10	5,500	14.2	4.3	32	•	•			
RDM5015B2		12.0~27.6	0.08	5,000	12.4	3.8	31	•	•				
RDL5015B2		12.0~27.6	0.06	4,500	10.9	3.2	29	•	•				

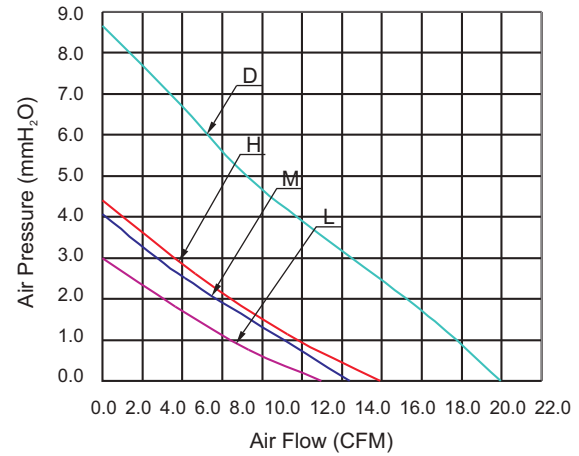
Notes: ©All readings are typical values at rated voltage.
©Specifications are subjected to change without prior notice.

50x50x15mm



Unit: mm

Performance Curves



General Specification:

- Frame and Impeller : Thermal Plastic , UL 94V-0
- Lead Wires : UL Type
(+) : Red (-) : Black
- Operation Temperature : -10°C~70°C、
35%~85%RH
- Storage Temperature : -40°C~80°C、
35%~85%RH

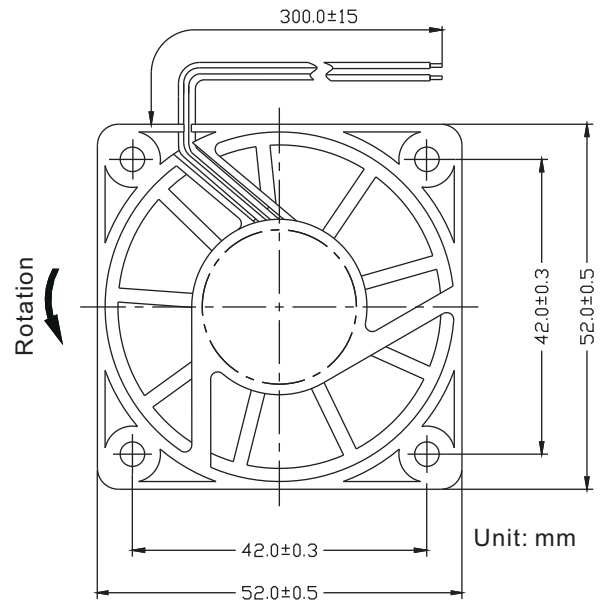
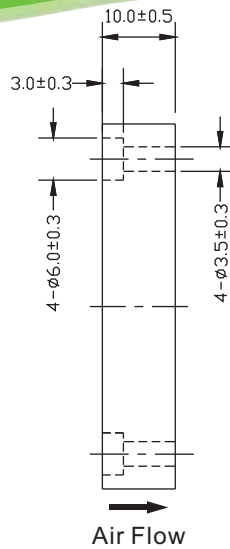
Motor Protection:

- Impedance Protected
- Reverse Polarity Protected

Listed Model	Bearing System	Rated Voltage	Operation Voltage	Rated Current	Rated Speed	Air Flow	Air Pressure	Noise Level	Available Features (Optional)				Weight
		VDC	VDC	A	RPM	CFM	mmH ₂ O	dBA	Tachometer Output	Rotation Detector	Thermal Control	Pulse Width Modulation	g
RDH5015S5	Sleeve	5	3.5~5.75	0.33	5,500	13.9	4.4	32	•	•			30
RDM5015S5			3.5~5.75	0.25	5,000	12.4	4.1	30	•	•			
RDL5015S5			3.5~5.75	0.20	4,500	11.0	3.0	27	•	•			
RDH5015B5	Ball		3.5~5.75	0.33	5,500	13.9	4.4	32	•	•			
RDM5015B5			3.5~5.75	0.25	5,000	12.4	4.1	30	•	•			
RDL5015B5			3.5~5.75	0.20	4,500	11.0	3.0	27	•	•			
RDH5015S	Sleeve	12	6.0~13.8	0.16	5,500	13.9	4.4	32	•	•			
RDM5015S			6.0~13.8	0.14	5,000	12.4	4.1	30	•	•			
RDL5015S			6.0~13.8	0.12	4,500	11.0	3.0	27	•	•			
RDH5015B	Ball		6.0~13.8	0.16	5,500	13.9	4.4	32	•	•			
RDM5015B			6.0~13.8	0.14	5,000	12.4	4.1	30	•	•			
RDL5015B			6.0~13.8	0.12	4,500	11.0	3.0	27	•	•			
RDD5015S2	Sleeve	24	12.0~27.6	0.18	8,000	20.0	8.7	42	•	•			
RDH5015S2			12.0~27.6	0.10	5,500	13.9	4.4	32	•	•			
RDM5015S2			12.0~27.6	0.08	5,000	12.4	4.1	30	•	•			
RDL5015S2	12.0~27.6		0.06	4,500	11.0	3.0	27	•	•				
RDD5015B2	Ball		12.0~27.6	0.18	8,000	20.0	8.7	42	•	•			
RDH5015B2			12.0~27.6	0.10	5,500	13.9	4.4	32	•	•			
RDM5015B2		12.0~27.6	0.08	5,000	12.4	4.1	30	•	•				
RDL5015B2	12.0~27.6	0.06	4,500	11.0	3.0	27	•	•					

Notes: ©All readings are typical values at rated voltage.
©Specifications are subjected to change without prior notice.

52x52x10mm



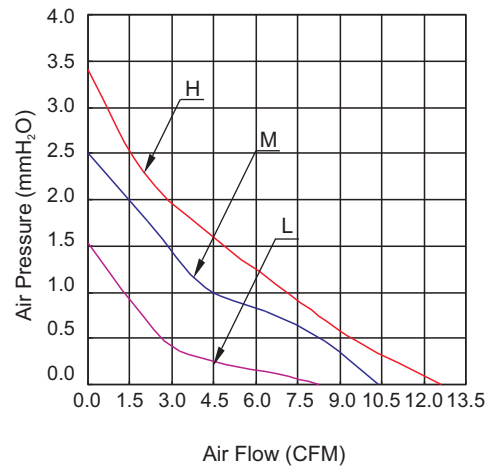
General Specification:

- Frame and Impeller : Thermal Plastic , UL 94V-0
- Lead Wires : UL Type
(+) : Red (-) : Black
- Operation Temperature : -10°C~70°C、
38%~85%RH
- Storage Temperature : -40°C~80°C、
38%~85%RH

Motor Protection:

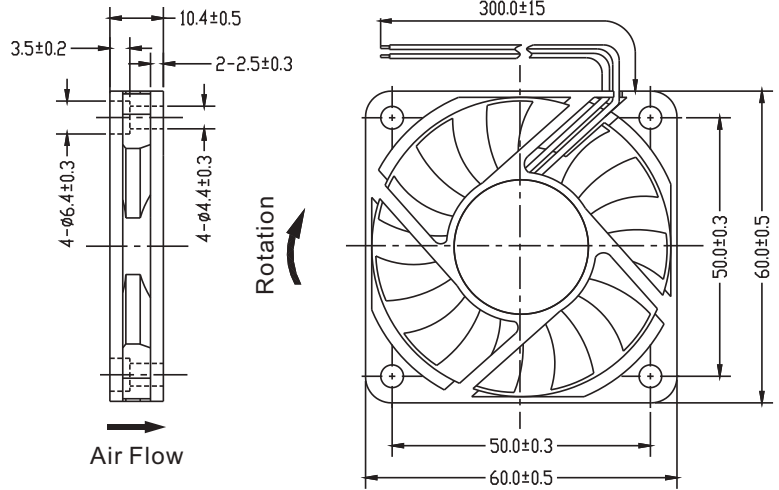
- Impedance Protected
- Reverse Polarity Protected

Performance Curves



Listed Model	Bearing System	Rated Voltage	Operation Voltage	Rated Current	Rated Speed	Air Flow	Air Pressure	Noise Level	Available Features (Optional)				Weight
		VDC	VDC	A	RPM	CFM	mmH ₂ O	dBA	Tachometer Output	Rotation Detector	Thermal Control	Pulse Width Modulation	g
RDH5210S	Sleeve	12	6.0~13.8	0.14	6,000	12.6	3.4	38	•	•			22
RDM5210S			6.0~13.8	0.12	5,000	10.4	2.5	33	•	•			
RDL5210S			6.0~13.8	0.09	4,000	8.2	1.6	27	•	•			
RDH5210B	Ball		6.0~13.8	0.14	6,000	12.6	3.4	38	•	•			
RDM5210B			6.0~13.8	0.12	5,000	10.4	2.5	33	•	•			
RDL5210B			6.0~13.8	0.09	4,000	8.2	1.6	27	•	•			

60x60x10mm



Unit: mm

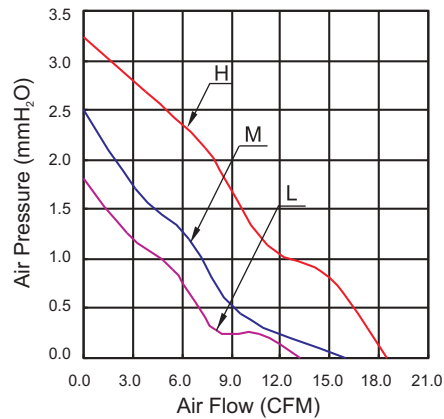
General Specification:

- Frame and Impeller : Thermal Plastic , UL 94V-0
- Lead Wires : UL Type
(+) : Red (-) : Black
- Operation Temperature : -10°C~70°C、
35%~85%RH
- Storage Temperature : -40°C~80°C、
35%~85%RH

Motor Protection:

- Impedance Protected
- Reverse Polarity Protected

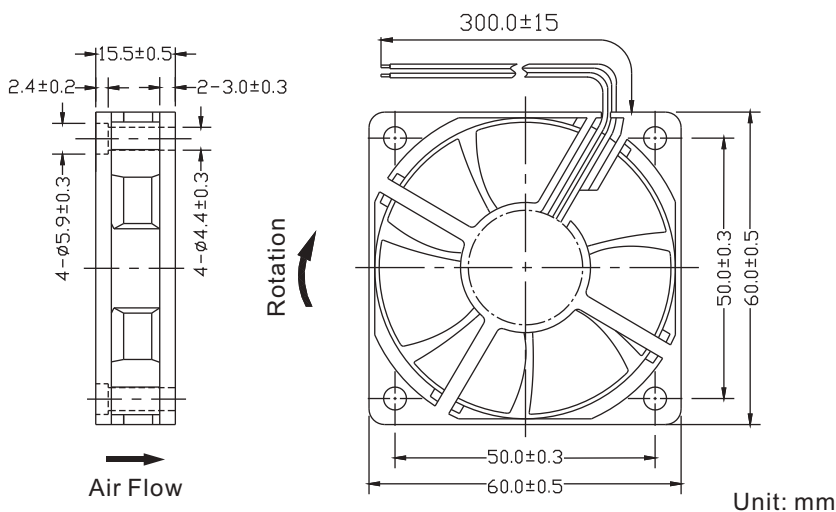
Performance Curves



Listed Model	Bearing System	Rated Voltage	Operation Voltage	Rated Current	Rated Speed	Air Flow	Air Pressure	Noise Level	Available Features (Optional)				Weight
		VDC	VDC	A	RPM	CFM	mmH ₂ O	dBA	Tachometer Output	Rotation Detector	Thermal Control	Pulse Width Modulation	g
RDH6010S5	Sleeve	5	3.5~5.75	0.35	4,200	18.5	3.2	36	•	•			23
RDM6010S5			3.5~5.75	0.22	3,600	15.9	2.5	31	•	•			
RDL6010S5			3.5~5.75	0.17	3,000	13.2	1.8	27	•	•			
RDH6010B5	Ball		3.5~5.75	0.35	4,200	18.5	3.2	36	•	•			
RDM6010B5			3.5~5.75	0.22	3,600	15.9	2.5	31	•	•			
RDL6010B5			3.5~5.75	0.17	3,000	13.2	1.8	27	•	•			
RDH6010S1	Sleeve	12	6.0~13.8	0.22	4,200	18.5	3.2	36	•	•			
RDM6010S1			6.0~13.8	0.17	3,600	15.9	2.5	31	•	•			
RDL6010S1			6.0~13.8	0.14	3,000	13.2	1.8	27	•	•			
RDH6010B1	Ball		6.0~13.8	0.22	4,200	18.5	3.2	36	•	•			
RDM6010B1			6.0~13.8	0.17	3,600	15.9	2.8	31	•	•			
RDL6010B1			6.0~13.8	0.14	3,000	13.2	1.8	27	•	•			
RDH6010S2	Sleeve	24	12.0~27.6	0.11	4,200	18.5	3.2	36	•	•			
RDM6010S2			12.0~27.6	0.09	3,600	15.9	2.5	31	•	•			
RDL6010S2			12.0~27.6	0.07	3,000	13.2	1.8	27	•	•			
RDH6010B2	Ball		12.0~27.6	0.11	4,200	18.5	3.2	36	•	•			
RDM6010B2			12.0~27.6	0.09	3,600	15.9	2.5	31	•	•			
RDL6010B2			12.0~27.6	0.07	3,000	13.2	1.8	27	•	•			

Notes: ©All readings are typical values at rated voltage.
©Specifications are subjected to change without prior notice.

60x60x15mm



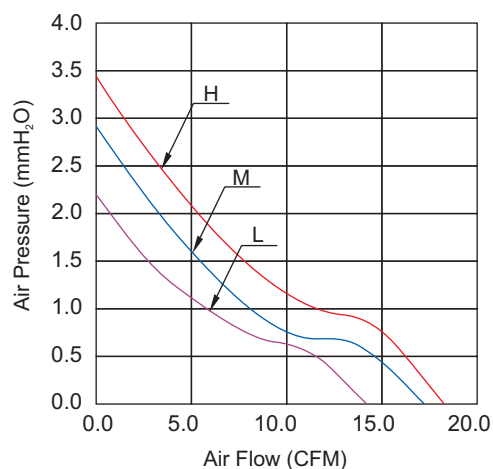
General Specification:

- Frame and Impeller : Thermal Plastic , UL 94V-0
- Lead Wires : UL Type
(+) : Red (-) : Black
- Operation Temperature : -10°C~70°C、
35%~85%RH
- Storage Temperature : -40°C~80°C、
35%~85%RH

Motor Protection:

- Impedance Protected
- Reverse Polarity Protected

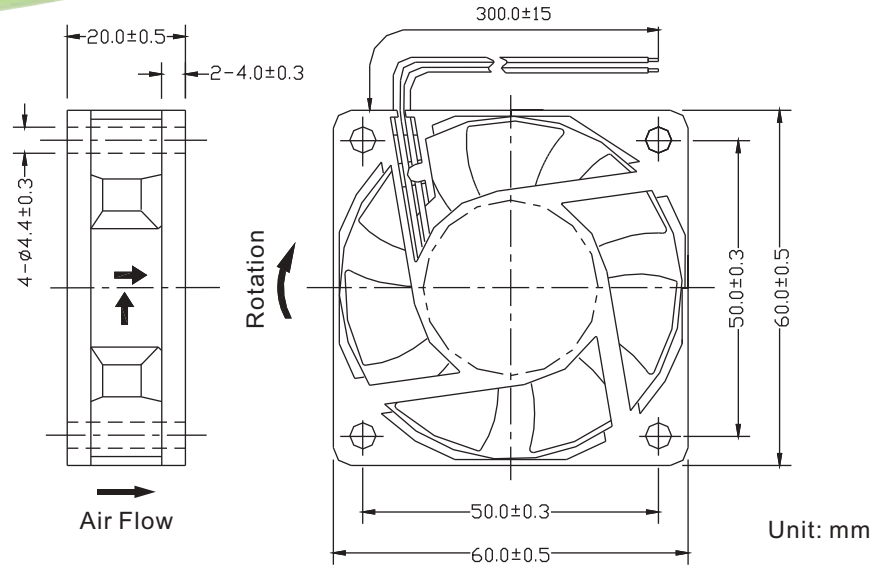
Performance Curves



Listed Model	Bearing System	Rated Voltage	Operation Voltage	Rated Current	Rated Speed	Air Flow	Air Pressure	Noise Level	Available Features (Optional)				Weight
		VDC	VDC	A	RPM	CFM	mmH ₂ O	dBA	Tachometer Output	Rotation Detector	Thermal Control	Pulse Width Modulation	g
RDH6015S5	Sleeve	5	3.5~5.75	0.40	4,500	18.6	3.4	35	•	•			34
RDM6015S5			3.5~5.75	0.25	4,000	16.4	2.8	32	•	•			
RDL6015S5			3.5~5.75	0.15	3,500	14.4	2.2	29	•	•			
RDH6015B5	Ball		3.5~5.75	0.40	4,500	18.6	3.4	35	•	•			
RDM6015B5			3.5~5.75	0.25	4,000	16.4	2.8	32	•	•			
RDL6015B5			3.5~5.75	0.15	3,500	14.4	2.2	29	•	•			
RDH6015S1	Sleeve	12	6.0~13.8	0.17	4,500	18.6	3.4	35	•	•	•	•	
RDM6015S1			6.0~13.8	0.15	4,000	16.4	2.8	32	•	•	•	•	
RDL6015S1			6.0~13.8	0.11	3,500	14.4	2.2	29	•	•	•	•	
RDH6015B1	Ball		6.0~13.8	0.17	4,500	18.6	3.4	35	•	•	•	•	
RDM6015B1			6.0~13.8	0.15	4,000	16.4	2.8	32	•	•	•	•	
RDL6015B1			6.0~13.8	0.11	3,500	14.4	2.2	29	•	•	•	•	
RDH6015S2	Sleeve	24	12.0~27.6	0.15	4,500	18.6	3.4	35	•	•			
RDM6015S2			12.0~27.6	0.10	4,000	16.4	2.8	32	•	•			
RDL6015S2			12.0~27.6	0.08	3,500	14.4	2.2	29	•	•			
RDH6015B2	Ball		12.0~27.6	0.15	4,500	18.6	3.4	35	•	•			
RDM6015B2			12.0~27.6	0.10	4,000	16.4	2.8	32	•	•			
RDL6015B2			12.0~27.6	0.08	3,500	14.4	2.2	29	•	•			

Notes: ©All readings are typical values at rated voltage.
©Specifications are subjected to change without prior notice.

60x60x20mm



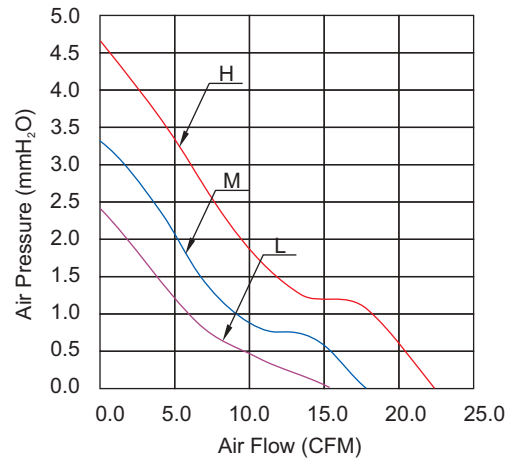
General Specification:

- Frame and Impeller : Thermal Plastic , UL 94V-0
- Lead Wires : UL Type
(+) : Red (-) : Black
- Operation Temperature : -10°C~70°C、
35%~85%RH
- Storage Temperature : -40°C~80°C、
35%~85%RH

Motor Protection:

- Impedance Protected
- Reverse Polarity Protected

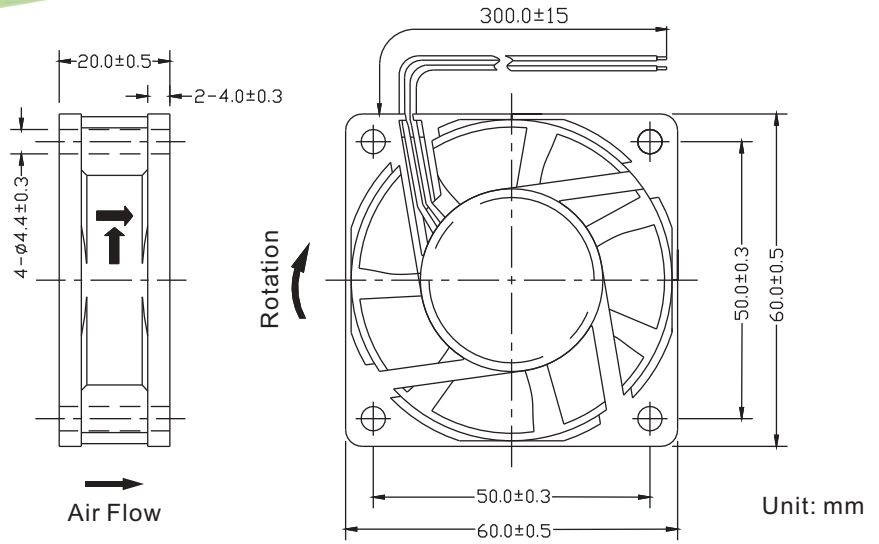
Performance Curves



Listed Model	Bearing System	Rated Voltage	Operation Voltage	Rated Current	Rated Speed	Air Flow	Air Pressure	Noise Level	Available Features (Optional)				Weight
		VDC	VDC	A	RPM	CFM	mmH ₂ O	dBA	Tachometer Output	Rotation Detector	Thermal Control	Pulse Width Modulation	g
RDH6020S	Sleeve	12	6.0~13.8	0.16	4,200	22.3	4.7	35	•	•	•	•	50
RDM6020S			6.0~13.8	0.12	3,500	18.5	3.3	29	•	•	•	•	
RDL6020S			6.0~13.8	0.08	3,000	15.7	2.4	26	•	•	•	•	
RDH6020B	Ball		6.0~13.8	0.16	4,200	22.3	4.7	35	•	•	•	•	
RDM6020B			6.0~13.8	0.12	3,500	18.5	3.3	29	•	•	•	•	
RDL6020B			6.0~13.8	0.08	3,000	15.7	2.4	26	•	•	•	•	
RDH6020S2	Sleeve	24	12.0~27.6	0.13	4,200	22.3	4.7	35	•	•			50
RDM6020S2			12.0~27.6	0.10	3,500	18.5	3.3	29	•	•			
RDL6020S2			12.0~27.6	0.08	3,000	15.7	2.4	26	•	•			
RDH6020B2	Ball		12.0~27.6	0.13	4,200	22.3	4.7	35	•	•			
RDM6020B2			12.0~27.6	0.10	3,500	18.5	3.3	29	•	•			
RDL6020B2			12.0~27.6	0.08	3,000	15.7	2.4	26	•	•			

Notes: ©All readings are typical values at rated voltage.
©Specifications are subjected to change without prior notice.

60x60x20mm



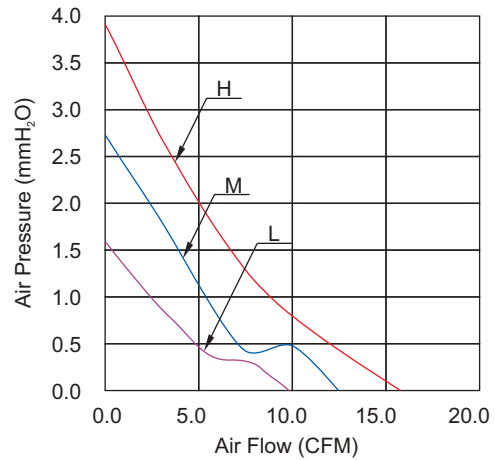
General Specification:

- Frame and Impeller : Thermal Plastic , UL 94V-0
- Lead Wires : UL Type
(+) : Red (-) : Black
- Operation Temperature : -10°C~70°C、
35%~85%RH
- Storage Temperature : -40°C~80°C、
35%~85%RH

Motor Protection:

- Impedance Protected
- Reverse Polarity Protected

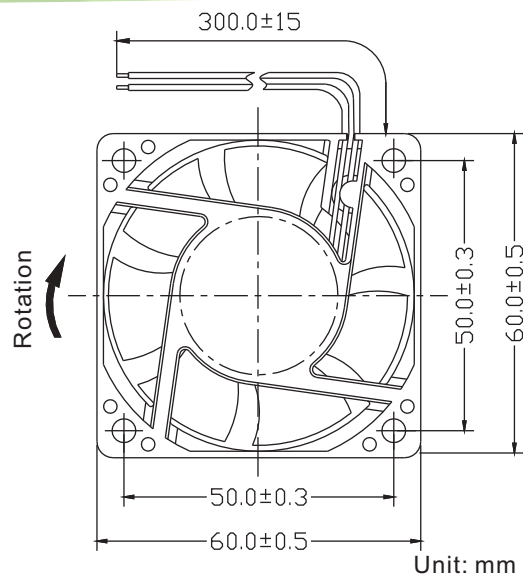
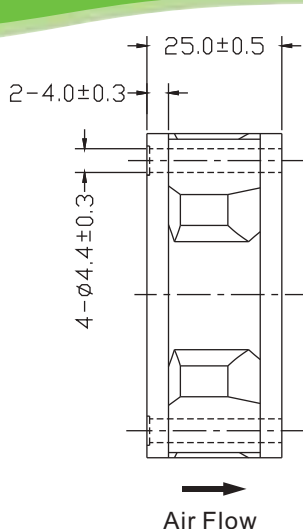
Performance Curves



Listed Model	Bearing System	Rated Voltage	Operation Voltage	Rated Current	Rated Speed	Air Flow	Air Pressure	Noise Level	Available Features (Optional)				Weight
		VDC	VDC	A	RPM	CFM	mmH ₂ O	dBA	Tachometer Output	Rotation Detector	Thermal Control	Pulse Width Modulation	g
RDH6020S	Sleeve	12	6.0~13.8	0.16	4,000	16.0	3.9	30	•	•	•	•	50
RDM6020S			6.0~13.8	0.12	3,300	13.2	2.7	25	•	•	•	•	
RDL6020S			6.0~13.8	0.08	2,500	9.9	1.6	20	•	•	•	•	
RDH6020B	Ball		6.0~13.8	0.16	4,000	16.0	3.9	30	•	•	•	•	
RDM6020B			6.0~13.8	0.12	3,300	13.2	2.7	25	•	•	•	•	
RDL6020B			6.0~13.8	0.08	2,500	9.9	1.6	20	•	•	•	•	
RDH6020S2	Sleeve	24	12.0~27.6	0.13	4,000	16.0	3.9	30	•	•			50
RDM6020S2			12.0~27.6	0.10	3,300	13.2	2.7	25	•	•			
RDL6020S2			12.0~27.6	0.08	2,500	9.9	1.6	20	•	•			
RDH6020B2	Ball		12.0~27.6	0.13	4,000	16.0	3.9	30	•	•			
RDM6020B2			12.0~27.6	0.10	3,300	13.2	2.7	25	•	•			
RDL6020B2			12.0~27.6	0.08	2,500	9.9	1.6	20	•	•			

Notes: ©All readings are typical values at rated voltage.
©Specifications are subjected to change without prior notice.

60x60x25mm



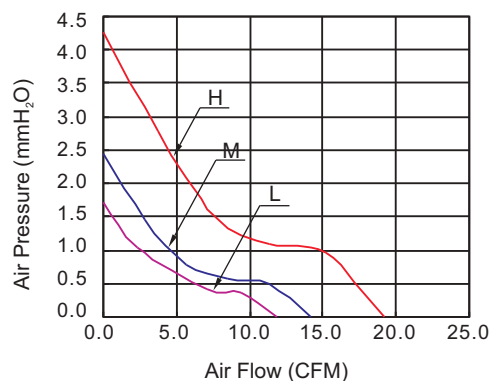
General Specification:

- Frame and Impeller : Thermal Plastic , UL 94V-0
- Lead Wires : UL Type
(+) : Red (-) : Black
- Operation Temperature : -10°C~70°C、
35%~85%RH
- Storage Temperature : -40°C~80°C、
35%~85%RH

Motor Protection:

- Impedance Protected
- Reverse Polarity Protected

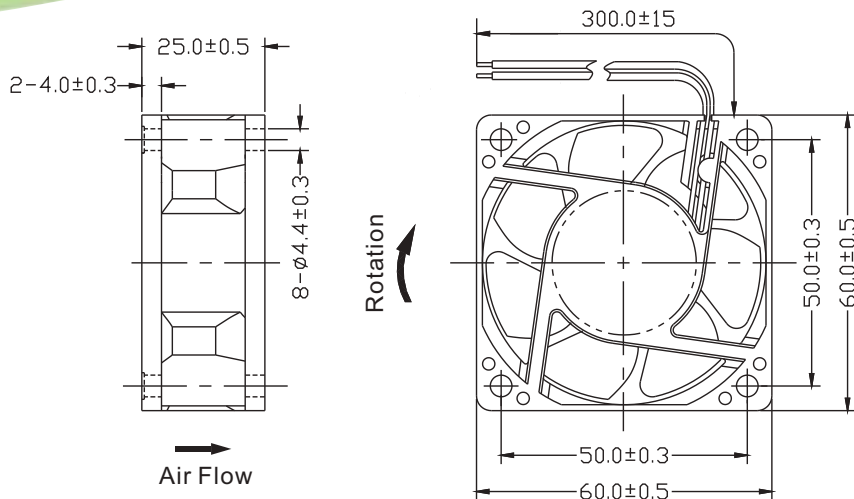
Performance Curves



Listed Model	Bearing System	Rated Voltage	Operation Voltage	Rated Current	Rated Speed	Air Flow	Air Pressure	Noise Level	Available Features (Optional)				Weight
		VDC	VDC	A	RPM	CFM	mmH ₂ O	dBA	Tachometer Output	Rotation Detector	Thermal Control	Pulse Width Modulation	g
RDH6025S	Sleeve	12	6.0~13.8	0.14	4,000	19.2	4.2	28	•	•	•	•	62
RDM6025S			6.0~13.8	0.10	3,000	14.1	2.4	22	•	•	•	•	
RDL6025S			6.0~13.8	0.07	2,500	11.8	1.7	20	•	•	•	•	
RDH6025B	Ball		6.0~13.8	0.14	4,000	19.2	4.2	28	•	•	•	•	
RDM6025B			6.0~13.8	0.10	3,000	14.1	2.4	22	•	•	•	•	
RDL6025B			6.0~13.8	0.07	2,500	11.8	1.7	20	•	•	•	•	
RDH6025S2	Sleeve	24	12.0~27.6	0.14	4,000	19.2	4.2	28	•	•			62
RDM6025S2			12.0~27.6	0.10	3,000	14.1	2.4	22	•	•			
RDL6025S2			12.0~27.6	0.09	2,500	11.8	1.7	20	•	•			
RDH6025B2	Ball		12.0~27.6	0.14	4,000	19.2	4.2	28	•	•			
RDM6025B2			12.0~27.6	0.10	3,000	14.1	2.4	22	•	•			
RDL6025B2			12.0~27.6	0.09	2,500	11.8	1.7	20	•	•			

Notes: ©All readings are typical values at rated voltage.
©Specifications are subjected to change without prior notice.

60x60x25mm



Unit: mm

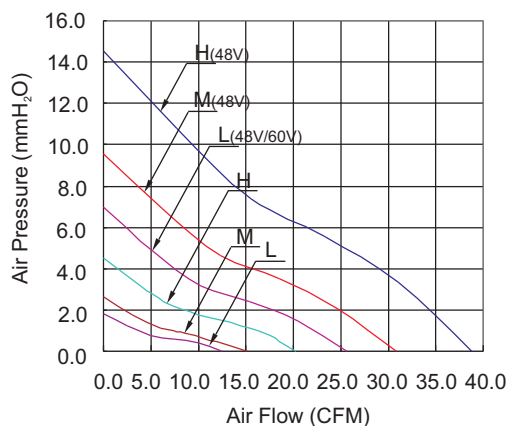
General Specification:

- Frame and Impeller : Thermal Plastic , UL 94V-0
- Lead Wires : UL Type
(+) : Red (-) : Black
- Operation Temperature : -10°C~70°C、
35%~85%RH
- Storage Temperature : -40°C~80°C、
35%~85%RH

Motor Protection:

- Impedance Protected
- Reverse Polarity Protected

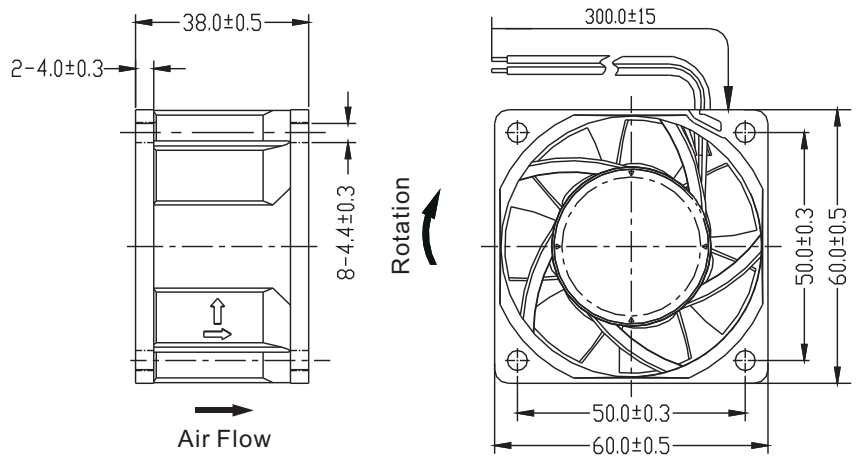
Performance Curves



Listed Model	Bearing System	Rated Voltage	Operation Voltage	Rated Current	Rated Speed	Air Flow	Air Pressure	Noise Level	Available Features (Optional)				Weight
		VDC	VDC	A	RPM	CFM	mmH ₂ O	dBA	Tachometer Output	Rotation Detector	Thermal Control	Pulse Width Modulation	g
RDH6025S	Sleeve	12	6.0~13.8	0.14	4,000	20.3	4.5	29	•	•	•	•	62
RDM6025S			6.0~13.8	0.10	3,000	15.1	2.6	24	•	•	•	•	
RDL6025S			6.0~13.8	0.07	2,500	12.5	1.8	22	•	•	•	•	
RDH6025B	Ball		6.0~13.8	0.14	4,000	20.3	4.5	29	•	•	•	•	
RDM6025B			6.0~13.8	0.10	3,000	15.1	2.6	24	•	•	•	•	
RDL6025B			6.0~13.8	0.07	2,500	12.5	1.8	22	•	•	•	•	
RDH6025S2	Sleeve	24	12.0~27.6	0.14	4,000	20.3	4.5	29	•	•	•	•	62
RDM6025S2			12.0~27.6	0.10	3,000	15.1	2.6	24	•	•	•	•	
RDL6025S2			12.0~27.6	0.09	2,500	12.5	1.8	22	•	•	•	•	
RDH6025B2	Ball		12.0~27.6	0.14	4,000	20.3	4.5	29	•	•	•	•	
RDM6025B2			12.0~27.6	0.10	3,000	15.1	2.6	24	•	•	•	•	
RDL6025B2			12.0~27.6	0.09	2,500	12.5	1.8	22	•	•	•	•	
RDH6025S4	Sleeve	48	24.0~55.2	0.18	7,500	38.8	14.5	47	•	•	•	•	62
RDM6025S4			24.0~55.2	0.12	6,000	30.9	9.6	40	•	•	•	•	
RDL6025S4			24.0~55.2	0.10	5,000	25.6	7.0	37	•	•	•	•	
RDH6025B4	Ball		24.0~55.2	0.18	7,500	38.8	14.5	47	•	•	•	•	
RDM6025B4			24.0~55.2	0.12	6,000	30.9	9.6	40	•	•	•	•	
RDL6025B4			24.0~55.2	0.10	5,000	25.6	7.0	37	•	•	•	•	
RDL6025B6	Ball	60	36.0~72.0	0.20	5,000	25.6	7.0	37	•	•	•	•	

Notes: ©All readings are typical values at rated voltage.
©Specifications are subjected to change without prior notice.

60x60x38mm



General Specification:

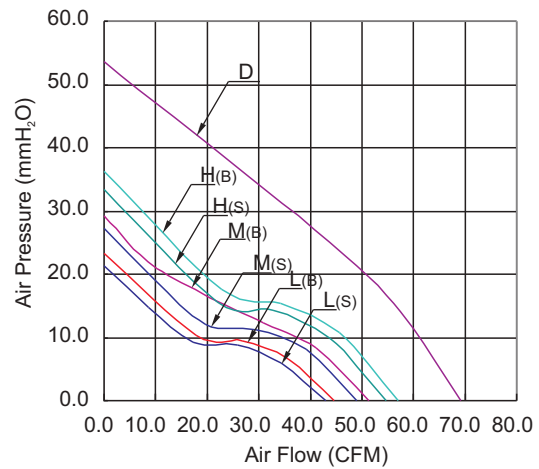
- Frame and Impeller : Thermal Plastic , UL 94V-0
- Lead Wires : UL Type
(+) : Red (-) : Black
- Operation Temperature : -10°C~70°C、
35%~85%RH
- Storage Temperature : -40°C~80°C、
35%~85%RH

Motor Protection:

- Impedance Protected
- Reverse Polarity Protected

Performance Curves

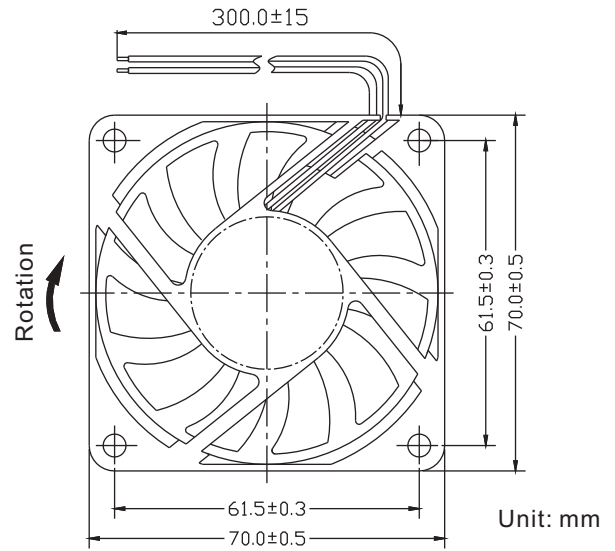
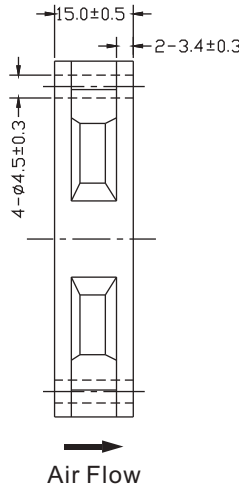
Unit: mm



Listed Model	Bearing System	Rated Voltage	Operation Voltage	Rated Current	Rated Speed	Air Flow	Air Pressure	Noise Level	Available Features (Optional)				Weight	
		VDC	VDC	A	RPM	CFM	mmH ₂ O	dBA	Tachometer Output	Rotation Detector	Thermal Control	Pulse Width Modulation	g	
RGD6038S1	Sleeve	12	6.0~13.8	1.60	12,000	69.2	53.6	62	•	•		•	106	
RGH6038S1			6.0~13.8	0.86	9,500	54.7	33.4	59	•	•		•		
RGM6038S1			6.0~13.8	0.65	8,500	49.0	27.2	55	•	•		•		
RGL6038S1			6.0~13.8	0.48	7,500	43.0	21.2	52	•	•		•		
RGD6038B1	Ball		6.0~13.8	1.60	12,000	69.2	53.6	62	•	•		•		
RGH6038B1			6.0~13.8	0.86	10,000	57.0	36.3	60	•	•		•		
RGM6038B1			6.0~13.8	0.65	9,000	51.3	29.1	56	•	•		•		
RGL6038B1			6.0~13.8	0.48	8,000	44.6	23.2	53	•	•		•		
RGH6038S2	Sleeve	24	12.0~27.6	0.45	9,500	54.7	33.4	59	•	•		•		
RGM6038S2			12.0~27.6	0.36	8,500	49.0	27.2	55	•	•		•		
RGL6038S2			12.0~27.6	0.26	7,500	43.0	21.2	52	•	•		•		
RGH6038B2			12.0~27.6	0.45	10,000	57.0	36.3	60	•	•		•		
RGM6038B2	Ball		12.0~27.6	0.36	9,000	51.3	29.1	56	•	•		•		
RGL6038B2			12.0~27.6	0.26	8,000	44.6	23.2	53	•	•		•		
RGH6038S4			Sleeve	48	24.0~55.2	0.33	10,000	57.0	36.3	60	•	•		•
RGM6038S4					24.0~55.2	0.25	9,000	51.3	29.1	56	•	•		•
RGL6038S4	24.0~55.2	0.21			8,000	44.6	23.2	53	•	•		•		
RGH6038B4	24.0~55.2	0.33			10,000	57.0	36.3	60	•	•		•		
RGM6038B4	Ball	24.0~55.2	0.25		9,000	51.3	29.1	56	•	•		•		
RGL6038B4		24.0~55.2	0.21		8,000	44.6	23.2	53	•	•		•		

Notes: ©All readings are typical values at rated voltage.
©Specifications are subjected to change without prior notice.

70x70x15mm



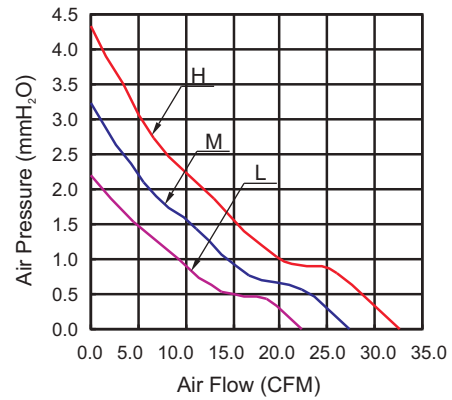
General Specification:

- Frame and Impeller : Thermal Plastic , UL 94V-0
- Lead Wires : UL Type
(+) : Red (-) : Black
- Operation Temperature : -10°C~70°C、
35%~85%RH
- Storage Temperature : -40°C~80°C、
35%~85%RH

Motor Protection:

- Impedance Protected
- Reverse Polarity Protected

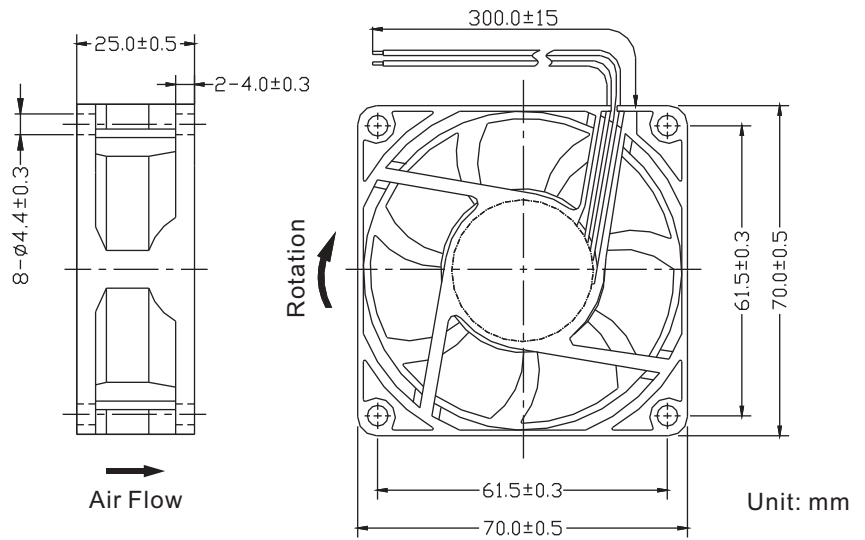
Performance Curves



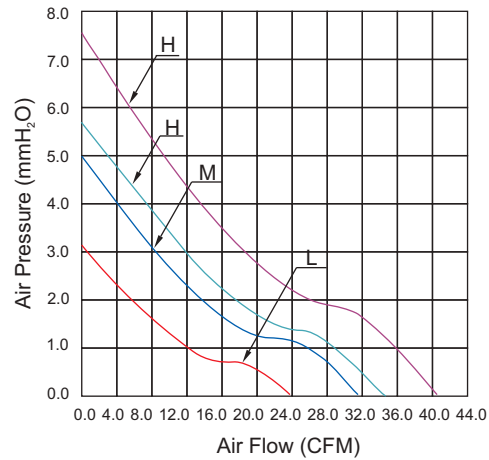
Listed Model	Bearing System	Rated Voltage	Operation Voltage	Rated Current	Rated Speed	Air Flow	Air Pressure	Noise Level	Available Features (Optional)				Weight g
		VDC	VDC	A	RPM	CFM	mmH ₂ O	dBA	Tachometer Output	Rotation Detector	Thermal Control	Pulse Width Modulation	
RDH7015S1	Sleeve	12	6.0~13.8	0.35	4,200	32.5	4.3	40	•	•		•	48
RDM7015S1			6.0~13.8	0.25	3,600	27.2	3.2	35	•	•		•	
RDL7015S1			6.0~13.8	0.16	3,000	22.2	2.2	31	•	•		•	
RDH7015B1	Ball		6.0~13.8	0.35	4,200	32.5	4.3	40	•	•		•	
RDM7015B1			6.0~13.8	0.25	3,600	27.2	3.2	35	•	•		•	
RDL7015B1			6.0~13.8	0.16	3,000	22.2	2.2	31	•	•		•	
RDH7015S2	Sleeve	24	12.0~27.6	0.25	4,200	32.5	4.3	40	•	•			48
RDM7015S2			12.0~27.6	0.16	3,600	27.2	3.2	35	•	•			
RDL7015S2			12.0~27.6	0.12	3,000	22.2	2.2	31	•	•			
RDH7015B2	Ball		12.0~27.6	0.25	4,200	32.5	4.3	40	•	•			
RDM7015B2			12.0~27.6	0.16	3,600	27.2	3.2	35	•	•			
RDL7015B2			12.0~27.6	0.12	3,000	22.2	2.2	31	•	•			

Notes: ©All readings are typical values at rated voltage.
©Specifications are subjected to change without prior notice.

70x70x25mm



Performance Curves



General Specification:

- Frame and Impeller : Thermal Plastic , UL 94V-0
- Lead Wires : UL Type
(+) : Red (-) : Black
- Operation Temperature : -10°C ~ 70°C、
35% ~ 85%RH
- Storage Temperature : -40°C ~ 80°C、
35% ~ 85%RH

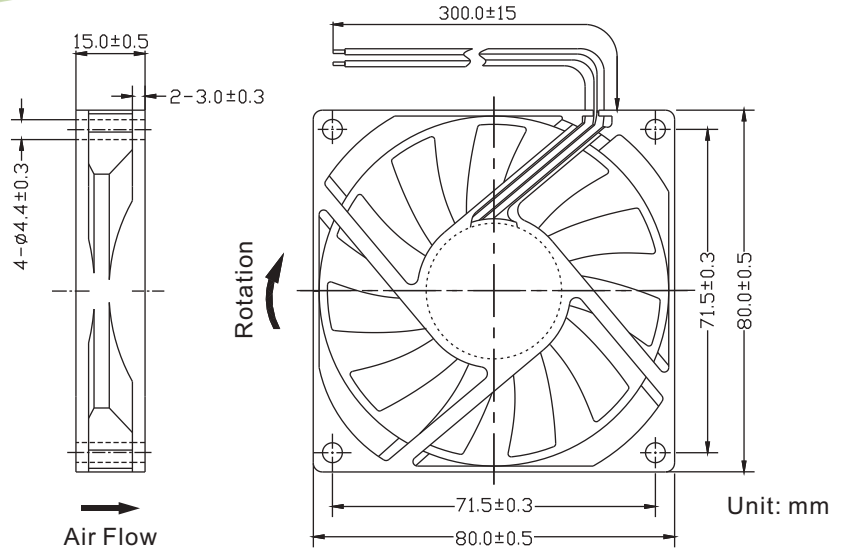
Motor Protection:

- Impedance Protected
- Reverse Polarity Protected

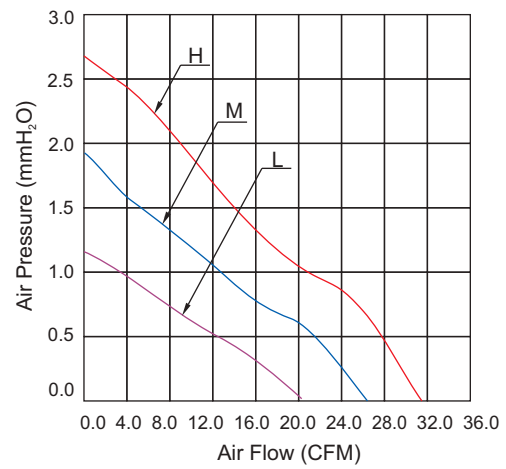
Listed Model	Bearing System	Rated Voltage	Operation Voltage	Rated Current	Rated Speed	Air Flow	Air Pressure	Noise Level	Available Features (Optional)				Weight	
		VDC	VDC	A	RPM	CFM	mmH ₂ O	dBA	Tachometer Output	Rotation Detector	Thermal Control	Pulse Width Modulation	g	
RDH7025S5	Sleeve	5	3.5~5.75	0.70	4,500	34.6	5.7	39	•	•			65	
RDM7025S5			3.5~5.75	0.55	4,000	31.5	4.9	36	•	•				
RDL7025S5			3.5~5.75	0.30	3,000	23.7	3.1	28	•	•				
RDH7025B5	Ball		3.5~5.75	0.70	4,500	34.6	5.7	39	•	•				
RDM7025B5			3.5~5.75	0.55	4,000	31.5	4.9	36	•	•				
RDL7025B5			3.5~5.75	0.30	3,000	23.7	3.1	28	•	•				
RDH7025S	Sleeve		12	6.0~13.8	0.40	5,100	40.6	7.5	42	•	•			•
RDM7025S				6.0~13.8	0.20	4,000	31.5	4.9	36	•	•			•
RDL7025S				6.0~13.8	0.15	3,000	23.7	3.1	28	•	•			•
RDH7025B	Ball	6.0~13.8		0.40	5,100	40.6	7.5	42	•	•		•		
RDM7025B		6.0~13.8		0.20	4,000	31.5	4.9	36	•	•		•		
RDL7025B		6.0~13.8		0.15	3,000	23.7	3.1	28	•	•		•		
RDH7025S2	Sleeve	24		12.0~27.6	0.22	5,100	40.6	7.5	42	•	•			
RDM7025S2				12.0~27.6	0.12	4,000	31.5	4.9	36	•	•			
RDL7025S2				12.0~27.6	0.10	3,000	23.7	3.1	28	•	•			
RDH7025B2	Ball		12.0~27.6	0.20	5,100	40.6	7.5	42	•	•				
RDM7025B2			12.0~27.6	0.12	4,000	31.5	4.9	36	•	•				
RDL7025B2			12.0~27.6	0.10	3,000	23.7	3.1	28	•	•				

Notes: ©All readings are typical values at rated voltage.
©Specifications are subjected to change without prior notice.

80x80x15mm



Performance Curves



General Specification:

- Frame and Impeller : Thermal Plastic , UL 94V-0
- Lead Wires : UL Type
(+) : Red (-) : Black
- Operation Temperature : -10°C~70°C、
35%~85%RH
- Storage Temperature : -40°C~80°C、
35%~85%RH

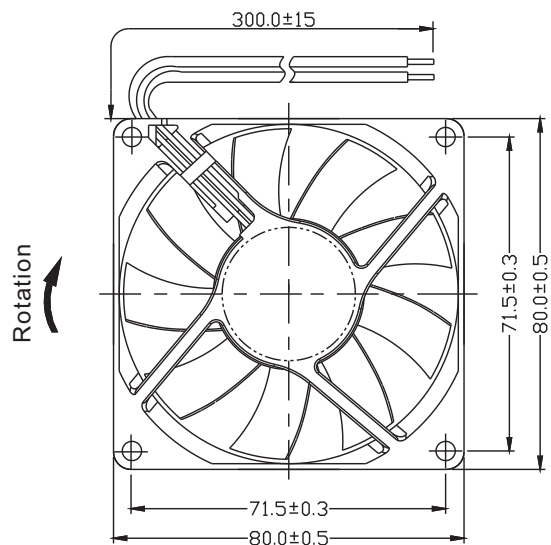
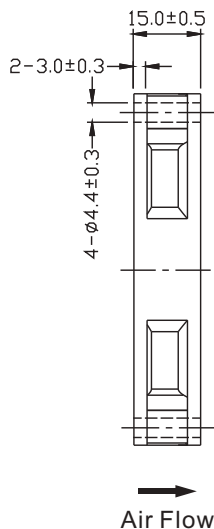
Motor Protection:

- Impedance Protected
- Reverse Polarity Protected

Listed Model	Bearing System	Rated Voltage	Operation Voltage	Rated Current	Rated Speed	Air Flow	Air Pressure	Noise Level	Available Features (Optional)				Weight
		VDC	VDC	A	RPM	CFM	mmH ₂ O	dBA	Tachometer Output	Rotation Detector	Thermal Control	Pulse Width Modulation	g
RDH8015S1	Sleeve	12	6.0~13.8	0.17	3,000	31.2	2.6	35	•	•		•	54
RDM8015S1			6.0~13.8	0.14	2,500	26.0	1.9	30	•	•		•	
RDL8015S1			6.0~13.8	0.09	2,000	20.8	1.2	25	•	•		•	
RDH8015B1	Ball		6.0~13.8	0.17	3,000	31.2	2.6	35	•	•		•	
RDM8015B1			6.0~13.8	0.14	2,500	26.0	1.9	30	•	•		•	
RDL8015B1			6.0~13.8	0.09	2,000	20.8	1.2	25	•	•		•	
RDH8015S2	Sleeve	24	12.0~27.6	0.15	3,000	31.2	2.6	35	•	•			54
RDM8015S2			12.0~27.6	0.13	2,500	26.0	1.9	30	•	•			
RDL8015S2			12.0~27.6	0.10	2,000	20.8	1.2	25	•	•			
RDH8015B2	Ball		12.0~27.6	0.15	3,000	31.2	2.6	35	•	•			
RDM8015B2			12.0~27.6	0.13	2,500	26.0	1.9	30	•	•			
RDL8015B2			12.0~27.6	0.10	2,000	20.8	1.2	25	•	•			

Notes: ©All readings are typical values at rated voltage.
©Specifications are subjected to change without prior notice.

80x80x15mm



Unit: mm

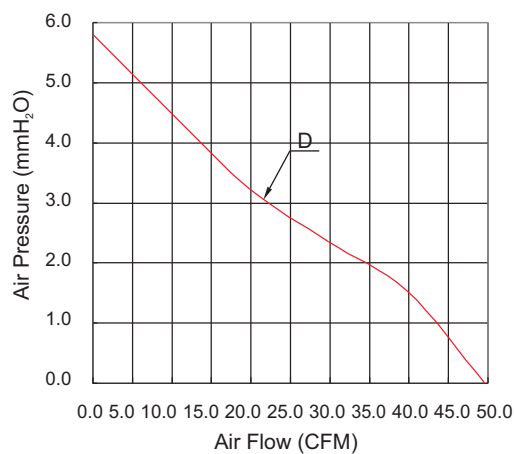
General Specification:

- Frame and Impeller : Thermal Plastic , UL 94V-0
- Lead Wires : UL Type
(+) : Red (-) : Black
- Operation Temperature : -10°C~70°C、
35%~85%RH
- Storage Temperature : -40°C~80°C、
35%~85%RH

Motor Protection:

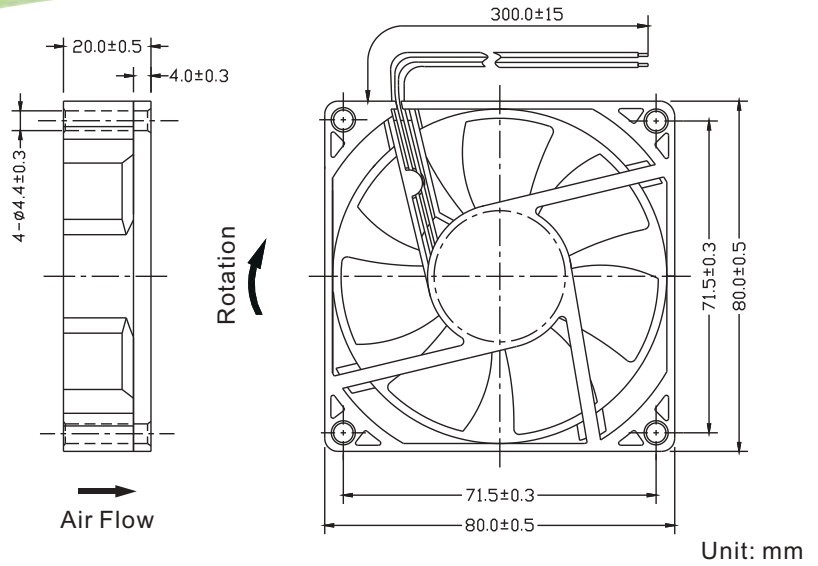
- Impedance Protected
- Reverse Polarity Protected

Performance Curves



Listed Model	Bearing System	Rated Voltage	Operation Voltage	Rated Current	Rated Speed	Air Flow	Air Pressure	Noise Level	Available Features (Optional)				Weight
		VDC	VDC	A	RPM	CFM	mmH ₂ O	dBA	Tachometer Output	Rotation Detector	Thermal Control	Pulse Width Modulation	g
RDD8015S1	Sleeve	12	6.0~13.8	0.27	4,100	49.6	5.8	44	•	•			54
RDD8015B1	Ball		6.0~13.8	0.27	4,100	49.6	5.8	44	•	•			

80x80x20mm



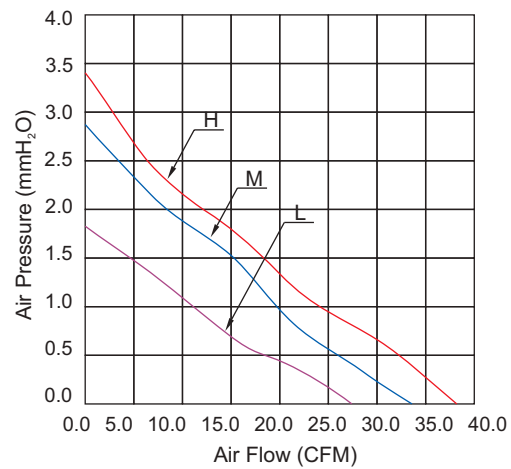
General Specification:

- Frame and Impeller : Thermal Plastic , UL 94V-0
- Lead Wires : UL Type
(+) : Red (-) : Black
- Operation Temperature : -10°C~70°C、
35%~85%RH
- Storage Temperature : -40°C~80°C、
35%~85%RH

Motor Protection:

- Impedance Protected
- Reverse Polarity Protected

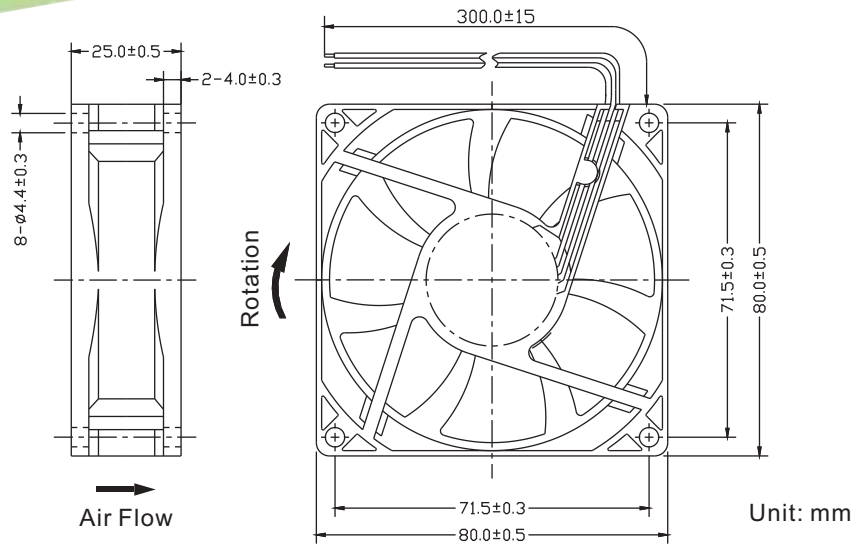
Performance Curves



Listed Model	Bearing System	Rated Voltage	Operation Voltage	Rated Current	Rated Speed	Air Flow	Air Pressure	Noise Level	Available Features (Optional)				Weight
		VDC	VDC	A	RPM	CFM	mmH ₂ O	dBA	Tachometer Output	Rotation Detector	Thermal Control	Pulse Width Modulation	g
RDH8020S	Sleeve	12	6.0~13.8	0.23	3,500	38.8	3.3	40	•	•		•	64
RDM8020S			6.0~13.8	0.17	3,000	33.5	2.4	35	•	•		•	
RDL8020S			6.0~13.8	0.13	2,500	27.6	1.7	30	•	•		•	
RDH8020B	Ball		6.0~13.8	0.23	3,500	38.8	3.3	40	•	•		•	
RDM8020B			6.0~13.8	0.17	3,000	33.5	2.4	35	•	•		•	
RDL8020B			6.0~13.8	0.13	2,500	27.6	1.7	30	•	•		•	
RDH8020S2	Sleeve	24	12.0~27.6	0.21	3,500	38.8	3.3	40	•	•			64
RDM8020S2			12.0~27.6	0.14	3,000	33.5	2.4	35	•	•			
RDL8020S2			12.0~27.6	0.12	2,500	27.6	1.7	30	•	•			
RDH8020B2	Ball		12.0~27.6	0.21	3,500	38.8	3.3	40	•	•			
RDM8020B2			12.0~27.6	0.14	3,000	33.5	2.4	35	•	•			
RDL8020B2			12.0~27.6	0.12	2,500	27.6	1.7	30	•	•			

Notes: ©All readings are typical values at rated voltage.
©Specifications are subjected to change without prior notice.

80x80x25mm



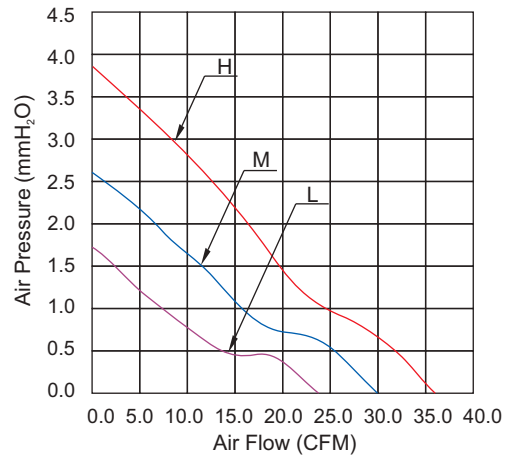
General Specification:

- Frame and Impeller : Thermal Plastic , UL 94V-0
- Lead Wires : UL Type
(+) : Red (-) : Black
- Operation Temperature : -10°C~70°C、
35%~85%RH
- Storage Temperature : -40°C~80°C、
35%~85%RH

Motor Protection:

- Impedance Protected
- Reverse Polarity Protected

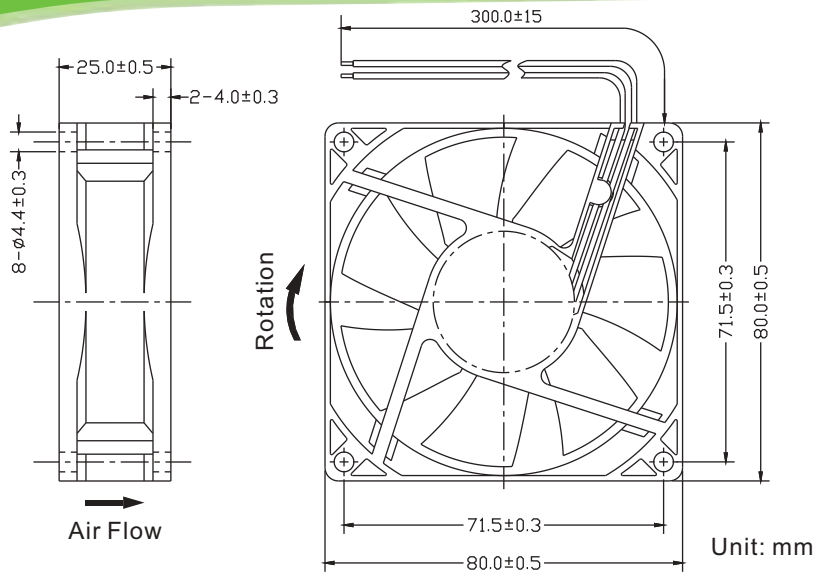
Performance Curves



Listed Model	Bearing System	Rated Voltage	Operation Voltage	Rated Current	Rated Speed	Air Flow	Air Pressure	Noise Level	Available Features (Optional)				Weight
		VDC	VDC	A	RPM	CFM	mmH ₂ O	dBA	Tachometer Output	Rotation Detector	Thermal Control	Pulse Width Modulation	g
RDH8025S5	Sleeve	5	3.5~5.75	0.40	3,000	35.7	3.8	33	•	•			76
RDM8025S5			3.5~5.75	0.28	2,500	29.5	2.6	29	•	•			
RDL8025S5			3.5~5.75	0.22	2,000	23.5	1.7	24	•	•			
RDH8025B5	Ball		3.5~5.75	0.40	3,000	35.7	3.8	33	•	•			
RDM8025B5			3.5~5.75	0.28	2,500	29.5	2.6	29	•	•			
RDL8025B5			3.5~5.75	0.22	2,000	23.5	1.7	24	•	•			
RDH8025S	Sleeve	12	6.0~13.8	0.17	3,000	35.7	3.8	33	•	•	•	•	
RDM8025S			6.0~13.8	0.11	2,500	29.5	2.6	29	•	•	•	•	
RDL8025S			6.0~13.8	0.08	2,000	23.5	1.7	24	•	•	•	•	
RDH8025B	Ball		6.0~13.8	0.17	3,000	35.7	3.8	33	•	•	•	•	
RDM8025B			6.0~13.8	0.11	2,500	29.5	2.6	29	•	•	•	•	
RDL8025B			6.0~13.8	0.08	2,000	23.5	1.7	24	•	•	•	•	
RDH8025S2	Sleeve	24	12.0~27.6	0.15	3,000	35.7	3.8	33	•	•			
RDM8025S2			12.0~27.6	0.12	2,500	29.5	2.6	29	•	•			
RDL8025S2			12.0~27.6	0.09	2,000	23.5	1.7	24	•	•			
RDH8025B2	Ball		12.0~27.6	0.15	3,000	35.7	3.8	33	•	•			
RDM8025B2			12.0~27.6	0.12	2,500	29.5	2.6	29	•	•			
RDL8025B2			12.0~27.6	0.09	2,000	23.5	1.7	24	•	•			

Notes: ©All readings are typical values at rated voltage.
©Specifications are subjected to change without prior notice.

80x80x25mm

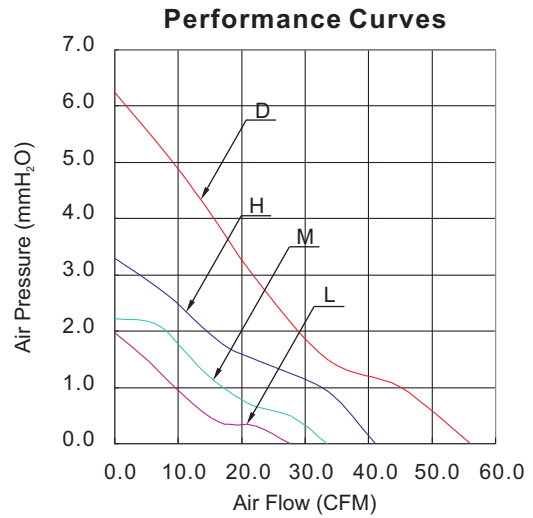


General Specification:

- Frame and Impeller : Thermal Plastic , UL 94V-0
- Lead Wires : UL Type
(+) : Red (-) : Black
- Operation Temperature : -10°C~70°C、
35%~85%RH
- Storage Temperature : -40°C~80°C、
35%~85%RH

Motor Protection:

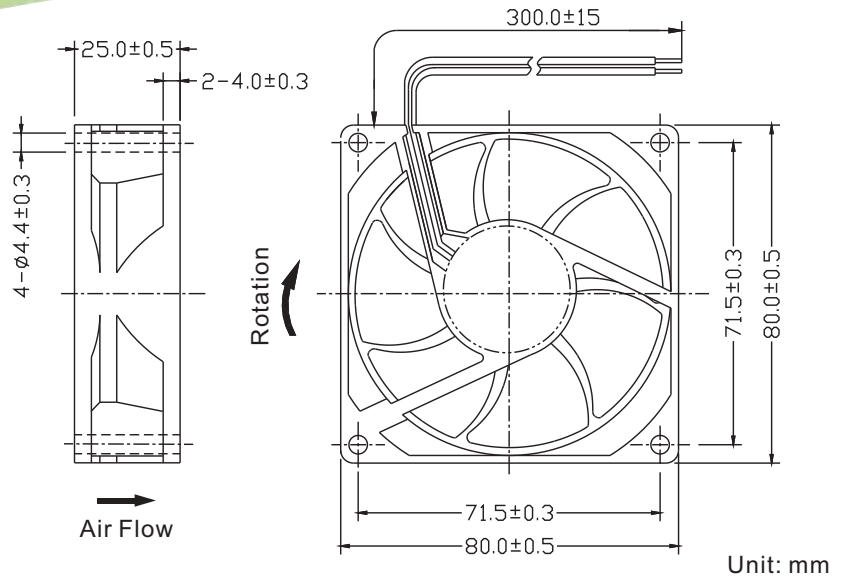
- Impedance Protected
- Reverse Polarity Protected



Listed Model	Bearing System	Rated Voltage	Operation Voltage	Rated Current	Rated Speed	Air Flow	Air Pressure	Noise Level	Available Features (Optional)				Weight
		VDC	VDC	A	RPM	CFM	mmH ₂ O	dBA	Tachometer Output	Rotation Detector	Thermal Control	Pulse Width Modulation	g
RDD8025S1	Sleeve	12	6.0~13.8	0.40	4,000	56.0	6.2	43	•	•		•	76
RDH8025S1			6.0~13.8	0.23	3,000	41.0	3.3	33	•	•		•	
RDM8025S1			6.0~13.8	0.16	2,500	33.4	2.2	28	•	•		•	
RDL8025S1			6.0~13.8	0.13	2,000	27.7	1.9	23	•	•		•	
RDD8025B1	Ball		6.0~13.8	0.40	4,000	56.0	6.2	43	•	•		•	
RDH8025B1			6.0~13.8	0.23	3,000	41.0	3.3	33	•	•		•	
RDM8025B1			6.0~13.8	0.16	2,500	33.4	2.2	28	•	•		•	
RDL8025B1			6.0~13.8	0.13	2,000	27.7	1.9	23	•	•		•	
RDH8025S2	Sleeve	24	12.0~27.6	0.15	3,000	41.0	3.3	33	•	•			
RDM8025S2			12.0~27.6	0.12	2,500	33.4	2.2	28	•	•			
RDL8025S2			12.0~27.6	0.09	2,000	27.7	1.9	23	•	•			
RDH8025B2	Ball		12.0~27.6	0.15	3,000	41.0	3.3	33	•	•			
RDM8025B2			12.0~27.6	0.12	2,500	33.4	2.2	28	•	•			
RDL8025B2			12.0~27.6	0.09	2,000	27.7	1.9	23	•	•			

Notes: ©All readings are typical values at rated voltage.
©Specifications are subjected to change without prior notice.

80x80x25mm



Unit: mm

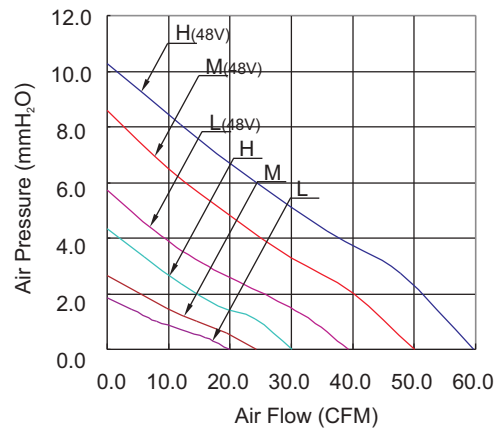
General Specification:

- Frame and Impeller : Thermal Plastic , UL 94V-0
- Lead Wires : UL Type
(+) : Red (-) : Black
- Operation Temperature : -10°C~70°C、
35%~85%RH
- Storage Temperature : -40°C~80°C、
35%~85%RH

Motor Protection:

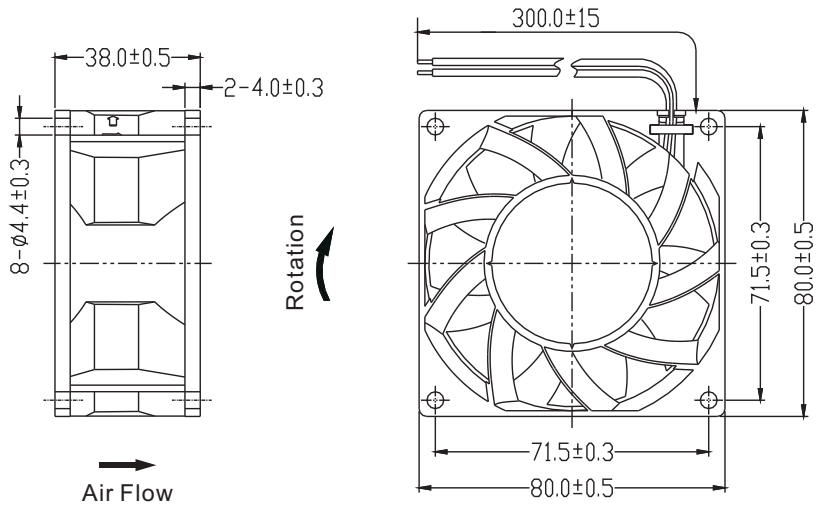
- Impedance Protected
- Reverse Polarity Protected

Performance Curves



Listed Model	Bearing System	Rated Voltage	Operation Voltage	Rated Current	Rated Speed	Air Flow	Air Pressure	Noise Level	Available Features (Optional)				Weight
		VDC	VDC	A	RPM	CFM	mmH ₂ O	dBA	Tachometer Output	Rotation Detector	Thermal Control	Pulse Width Modulation	g
RDH8025S5	Sleeve	5	3.5~5.75	0.40	3,000	30.1	4.3	30	•	•			76
RDM8025S5			3.5~5.75	0.28	2,500	24.3	2.6	28	•	•			
RDL8025S5			3.5~5.75	0.22	2,000	20.0	1.9	21	•	•			
RDH8025B5	Ball		3.5~5.75	0.40	3,000	30.1	4.3	30	•	•			
RDM8025B5			3.5~5.75	0.28	2,500	24.3	2.6	28	•	•			
RDL8025B5			3.5~5.75	0.22	2,000	20.0	1.9	21	•	•			
RDH8025S	Sleeve	12	6.0~13.8	0.17	3,000	30.1	4.3	30	•	•	•	•	
RDM8025S			6.0~13.8	0.11	2,500	24.3	2.6	28	•	•	•	•	
RDL8025S			6.0~13.8	0.08	2,000	20.0	1.9	21	•	•	•	•	
RDH8025B	Ball		6.0~13.8	0.17	3,000	30.1	4.3	30	•	•	•	•	
RDM8025B			6.0~13.8	0.11	2,500	24.3	2.6	28	•	•	•	•	
RDL8025B			6.0~13.8	0.08	2,000	20.0	1.9	21	•	•	•	•	
RDH8025S2	Sleeve	24	12.0~27.6	0.15	3,000	30.1	4.3	30	•	•			
RDM8025S2			12.0~27.6	0.12	2,500	24.3	2.6	28	•	•			
RDL8025S2			12.0~27.6	0.09	2,000	20.0	1.9	21	•	•			
RDH8025B2	Ball		12.0~27.6	0.15	3,000	30.1	4.3	30	•	•			
RDM8025B2			12.0~27.6	0.12	2,500	24.3	2.6	28	•	•			
RDL8025B2			12.0~27.6	0.09	2,000	20.0	1.9	21	•	•			
RDH8025S4	Sleeve	48	24.0~55.2	0.20	6,000	59.6	10.3	49	•	•	•	•	
RDM8025S4			24.0~55.2	0.18	5,000	50.1	8.6	46	•	•	•	•	
RDL8025S4			24.0~55.2	0.13	4,000	39.3	5.7	39	•	•	•	•	
RDH8025B4	Ball		24.0~55.2	0.20	6,000	59.6	10.3	49	•	•	•	•	
RDM8025B4			24.0~55.2	0.18	5,000	50.1	8.6	46	•	•	•	•	
RDL8025B4			24.0~55.2	0.13	4,000	39.3	5.7	39	•	•	•	•	

80x80x38mm



Unit: mm

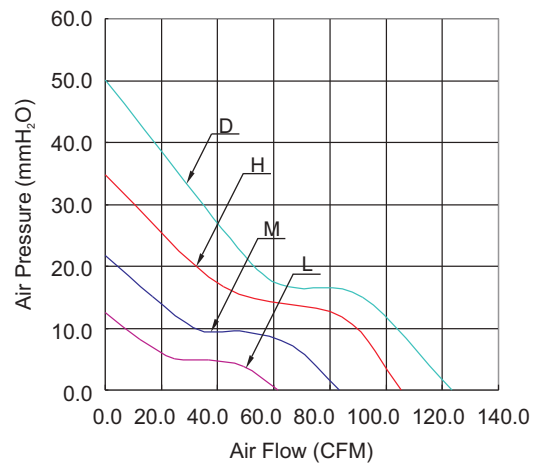
General Specification:

- Frame and Impeller : Thermal Plastic , UL 94V-0
- Lead Wires : UL Type
(+) : Red (-) : Black
- Operation Temperature : -10°C ~ 70°C ,
35% ~ 85%RH
- Storage Temperature : -40°C ~ 80°C ,
35% ~ 85%RH

Motor Protection:

- Impedance Protected
- Reverse Polarity Protected

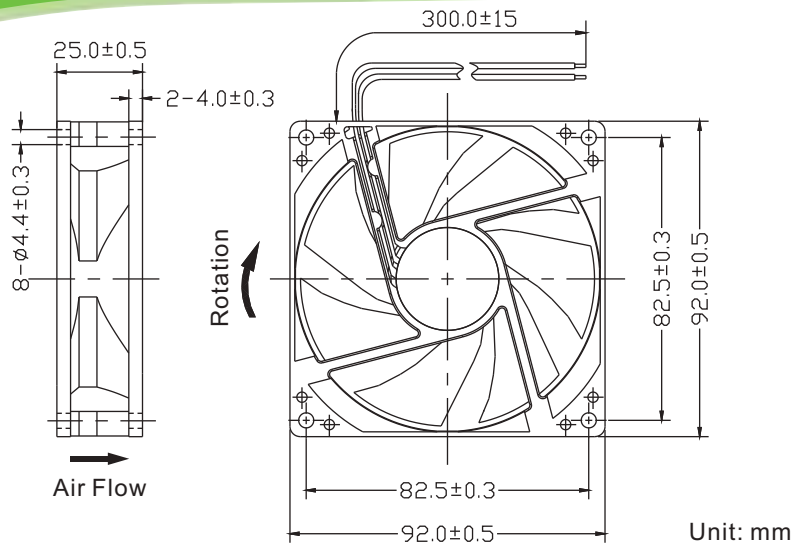
Performance Curves



Listed Model	Bearing System	Rated Voltage	Operation Voltage	Rated Current	Rated Speed	Air Flow	Air Pressure	Noise Level	Available Features (Optional)				Weight
		VDC	VDC	A	RPM	CFM	mmH ₂ O	dBA	Tachometer Output	Rotation Detector	Thermal Control	Pulse Width Modulation	g
RGD8038S1	Sleeve	12	6.0~13.8	2.80	9,000	123.3	50.0	67	•	•		•	180
RGH8038S1			6.0~13.8	1.55	7,500	105.2	34.8	63	•	•		•	
RGM8038S1			6.0~13.8	0.85	6,000	83.4	21.8	57	•	•		•	
RGL8038S1			6.0~13.8	0.45	4,500	61.5	12.4	49	•	•		•	
RGD8038B1	Ball		6.0~13.8	2.80	9,000	123.3	50.0	67	•	•		•	
RGH8038B1			6.0~13.8	1.55	7,500	105.2	34.8	63	•	•		•	
RGM8038B1			6.0~13.8	0.85	6,000	83.4	21.8	57	•	•		•	
RGL8038B1			6.0~13.8	0.45	4,500	61.5	12.4	49	•	•		•	
RGD8038S2	Sleeve	24	12.0~27.6	1.40	9,000	123.3	50.0	67	•	•		•	
RGH8038S2			12.0~27.6	0.78	7,500	105.2	34.8	63	•	•		•	
RGM8038S2			12.0~27.6	0.45	6,000	83.4	21.8	57	•	•		•	
RGL8038S2			12.0~27.6	0.25	4,500	61.5	12.4	49	•	•		•	
RGD8038B2	Ball		12.0~27.6	1.40	9,000	123.3	50.0	67	•	•		•	
RGH8038B2			12.0~27.6	0.78	7,500	105.2	34.8	63	•	•		•	
RGM8038B2			12.0~27.6	0.45	6,000	83.4	21.8	57	•	•		•	
RGL8038B2			12.0~27.6	0.25	4,500	61.5	12.4	49	•	•		•	
RGD8038S4	Sleeve	48	24.0~55.2	0.75	9,000	123.3	50.0	67	•	•		•	
RGH8038S4			24.0~55.2	0.45	7,500	105.2	34.8	63	•	•		•	
RGM8038S4			24.0~55.2	0.28	6,000	83.4	21.8	57	•	•		•	
RGL8038S4			24.0~55.2	0.18	4,500	61.5	12.4	49	•	•		•	
RGD8038B4	Ball		24.0~55.2	0.75	9,000	123.3	50.0	67	•	•		•	
RGH8038B4			24.0~55.2	0.45	7,500	105.2	34.8	63	•	•		•	
RGM8038B4			24.0~55.2	0.28	6,000	83.4	21.8	57	•	•		•	
RGL8038B4			24.0~55.2	0.18	4,500	61.5	12.4	49	•	•		•	

Notes: ©All readings are typical values at rated voltage.
©Specifications are subjected to change without prior notice.

92x92x25mm



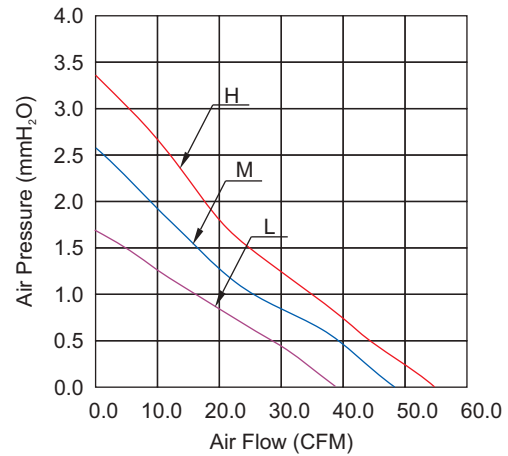
General Specification:

- Frame and Impeller : Thermal Plastic , UL 94V-0
- Lead Wires : UL Type
(+) : Red (-) : Black
- Operation Temperature : -10°C~70°C、
35%~85%RH
- Storage Temperature : -40°C~80°C、
35%~85%RH

Motor Protection:

- Impedance Protected
- Reverse Polarity Protected

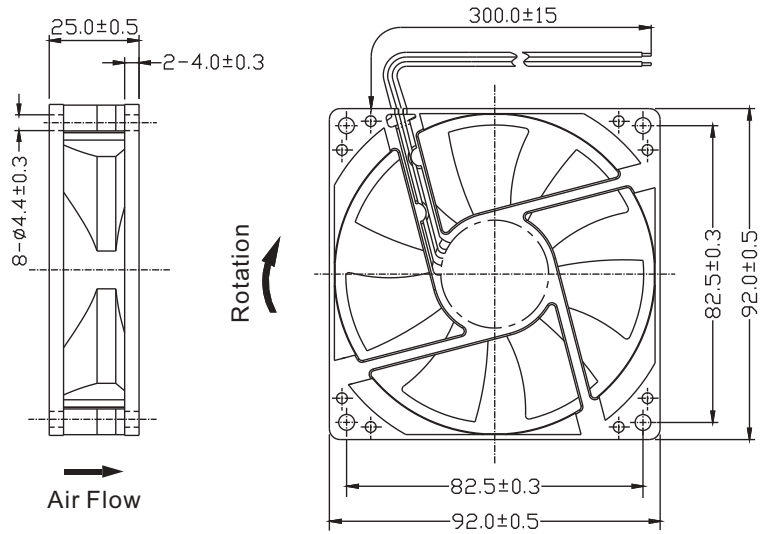
Performance Curves



Listed Model	Bearing System	Rated Voltage	Operation Voltage	Rated Current	Rated Speed	Air Flow	Air Pressure	Noise Level	Available Features (Optional)				Weight
		VDC	VDC	A	RPM	CFM	mmH ₂ O	dBA	Tachometer Output	Rotation Detector	Thermal Control	Pulse Width Modulation	g
RDH9025S	Sleeve	12	6.0~13.8	0.23	2,800	54.6	3.3	36	•	•	•	•	85
RDM9025S			6.0~13.8	0.19	2,500	48.1	2.6	35	•	•	•	•	
RDL9025S			6.0~13.8	0.16	2,000	39.0	1.7	28	•	•	•	•	
RDH9025B	Ball		6.0~13.8	0.23	2,800	54.6	3.3	36	•	•	•	•	
RDM9025B			6.0~13.8	0.19	2,500	48.1	2.6	35	•	•	•	•	
RDL9025B			6.0~13.8	0.16	2,000	39.0	1.7	28	•	•	•	•	
RDH9025S2	Sleeve	24	12.0~27.6	0.22	2,800	54.6	3.3	36	•	•			85
RDM9025S2			12.0~27.6	0.18	2,500	48.1	2.6	35	•	•			
RDL9025S2			12.0~27.6	0.15	2,000	39.0	1.7	28	•	•			
RDH9025B2	Ball		12.0~27.6	0.22	2,800	54.6	3.3	36	•	•			
RDM9025B2			12.0~27.6	0.18	2,500	48.1	2.6	35	•	•			
RDL9025B2			12.0~27.6	0.15	2,000	39.0	1.7	28	•	•			

Notes: ©All readings are typical values at rated voltage.
©Specifications are subjected to change without prior notice.

92x92x25mm



Unit: mm

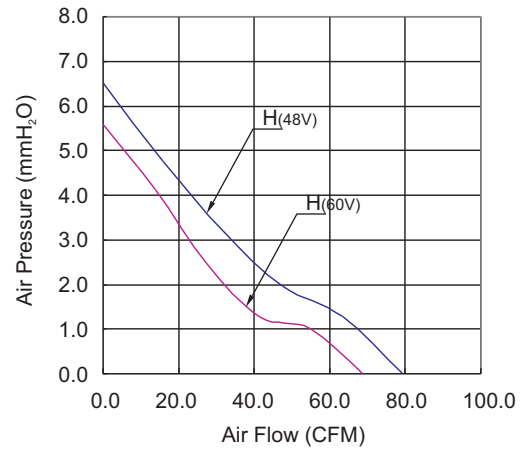
General Specification:

- Frame and Impeller : Thermal Plastic , UL 94V-0
- Lead Wires : UL Type
(+) : Red (-) : Black
- Operation Temperature : -10°C~70°C、
35%~85%RH
- Storage Temperature : -40°C~80°C、
35%~85%RH

Motor Protection:

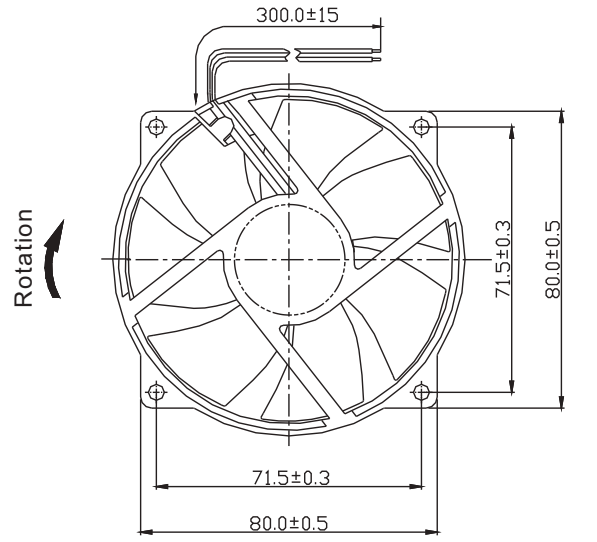
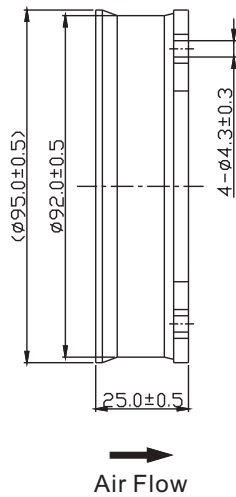
- Impedance Protected
- Reverse Polarity Protected

Performance Curves



Listed Model	Bearing System	Rated Voltage	Operation Voltage	Rated Current	Rated Speed	Air Flow	Air Pressure	Noise Level	Available Features (Optional)				Weight
		VDC	VDC	A	RPM	CFM	mmH ₂ O	dBA	Tachometer Output	Rotation Detector	Thermal Control	Pulse Width Modulation	g
RDH9025S4	Sleeve	48	24.0~55.2	0.15	3,800	79.4	6.5	44	•	•		•	85
RDH9025B4	Ball		24.0~55.2	0.15	3,800	79.4	6.5	44	•	•		•	
RDH9025B6	Ball	60	36.0~72.0	0.20	3,200	68.7	5.6	39	•	•	•	•	

∅92x25mm



Unit: mm

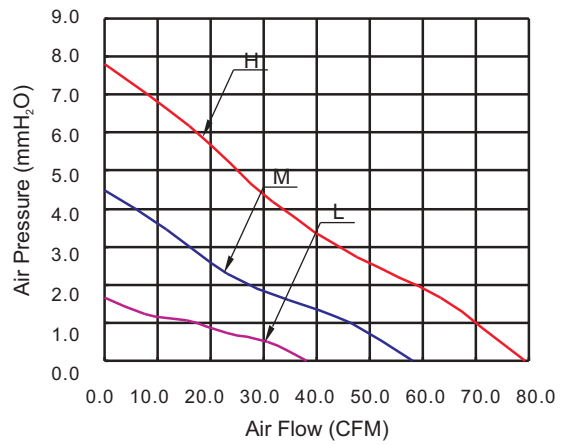
General Specification:

- Frame and Impeller : Thermal Plastic , UL 94V-0
- Lead Wires : UL Type
(+) : Red (-) : Black
- Operation Temperature : -10°C~70°C、
35%~85%RH
- Storage Temperature : -40°C~80°C、
35%~85%RH

Motor Protection:

- Impedance Protected
- Reverse Polarity Protected

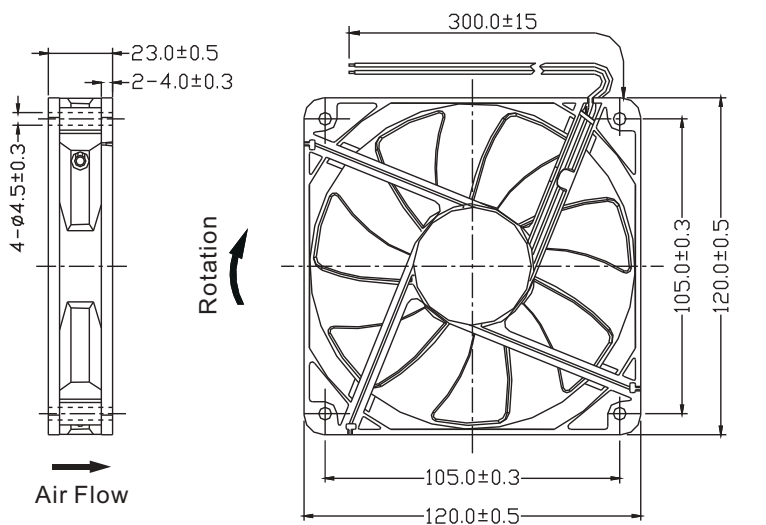
Performance Curves



Listed Model	Bearing System	Rated Voltage	Operation Voltage	Rated Current	Rated Speed	Air Flow	Air Pressure	Noise Level	Available Features (Optional)				Weight
		VDC	VDC	A	RPM	CFM	mmH ₂ O	dBA	Tachometer Output	Rotation Detector	Thermal Control	Pulse Width Modulation	g
RDH9225S1	Sleeve	12	6.0~13.8	0.55	4,000	79.2	7.8	46	•	•	•	•	88
RDM9225S1			6.0~13.8	0.35	3,000	57.9	4.5	37	•	•	•	•	
RDL9225S1			6.0~13.8	0.22	2,000	38.1	1.7	26	•	•	•	•	
RDH9225B1	Ball		6.0~13.8	0.55	4,000	79.2	7.8	46	•	•	•	•	
RDM9225B1			6.0~13.8	0.35	3,000	57.9	4.5	37	•	•	•	•	
RDL9225B1			6.0~13.8	0.22	2,000	38.1	1.7	26	•	•	•	•	
RDH9225S2	Sleeve	24	12.0~27.6	0.30	4,000	79.2	7.8	46	•	•	•	•	88
RDM9225S2			12.0~27.6	0.22	3,000	57.9	4.5	37	•	•	•	•	
RDL9225S2			12.0~27.6	0.12	2,000	38.1	1.7	26	•	•	•	•	
RDH9225B2	Ball		12.0~27.6	0.30	4,000	79.2	7.8	46	•	•	•	•	
RDM9225B2			12.0~27.6	0.22	3,000	57.9	4.5	37	•	•	•	•	
RDL9225B2			12.0~27.6	0.12	2,000	38.1	1.7	26	•	•	•	•	

Notes: ©All readings are typical values at rated voltage.
©Specifications are subjected to change without prior notice.

120x120x23mm



Unit: mm

General Specification:

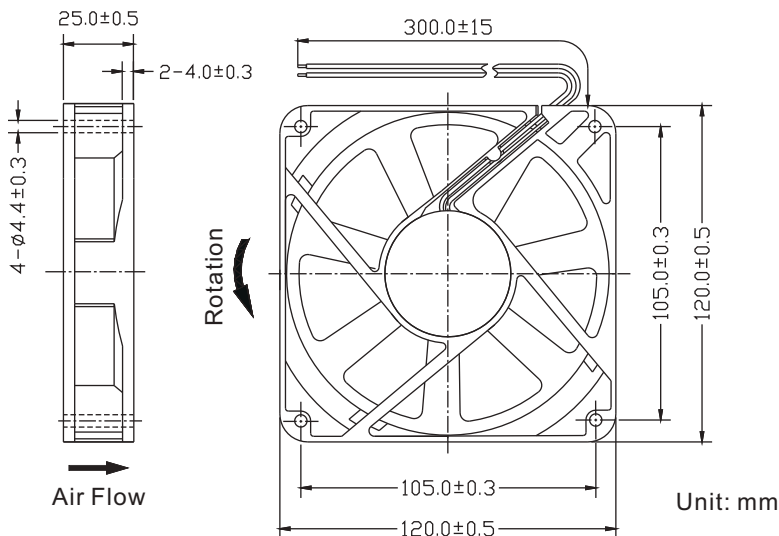
- Frame and Impeller : Thermal Plastic , UL 94V-0
- Lead Wires : UL Type
(+) : Red (-) : Black
- Operation Temperature : -10°C~70°C、
35%~85%RH
- Storage Temperature : -40°C~80°C、
35%~85%RH

Motor Protection:

- Impedance Protected
- Reverse Polarity Protected

Listed Model	Bearing System	Rated Voltage	Operation Voltage	Rated Current	Rated Speed	Air Flow	Air Pressure	Noise Level	Available Features (Optional)				Weight
		VDC	VDC	A	RPM	CFM	mmH ₂ O	dBA	Tachometer Output	Rotation Detector	Thermal Control	Pulse Width Modulation	g
RDH1223S1	Sleeve	12	6.0~13.8	0.40	2,200	84.0	2.1	36	•	•		•	125
RDM1223S1			6.0~13.8	0.23	1,900	73.5	1.6	31	•	•		•	
RDL1223S1			6.0~13.8	0.18	1,700	64.7	1.3	29	•	•		•	

120x120x25mm



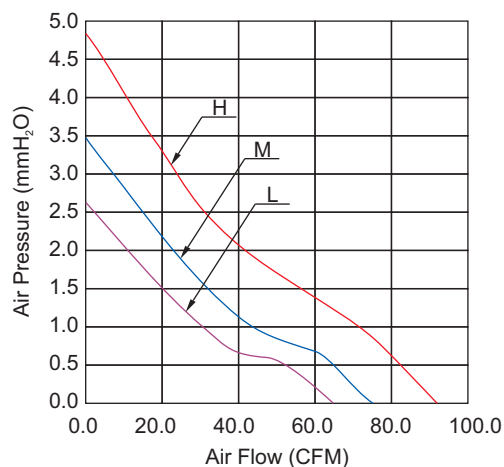
General Specification:

- Frame and Impeller : Thermal Plastic , UL 94V-0
- Lead Wires : UL Type
(+) : Red (-) : Black
- Operation Temperature : -10°C~70°C、
35%~85%RH
- Storage Temperature : -40°C~80°C、
35%~85%RH

Motor Protection:

- Impedance Protected
- Reverse Polarity Protected

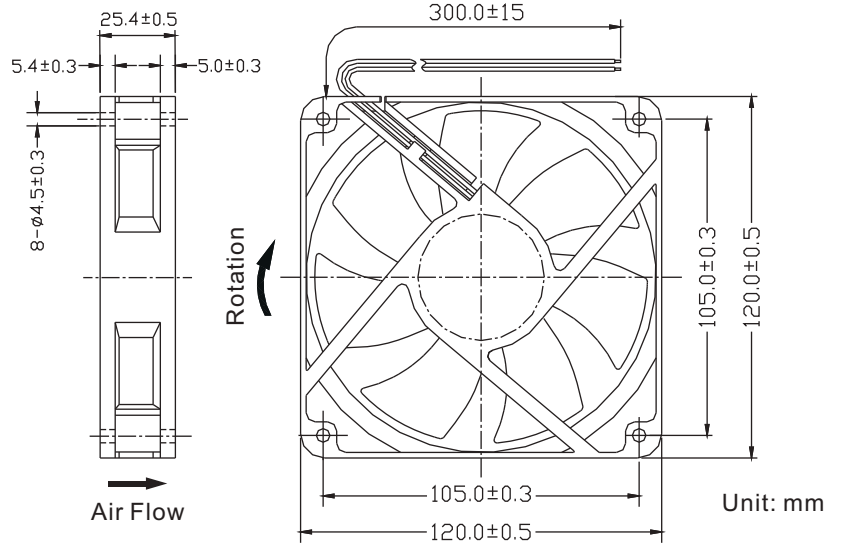
Performance Curves



Listed Model	Bearing System	Rated Voltage	Operation Voltage	Rated Current	Rated Speed	Air Flow	Air Pressure	Noise Level	Available Features (Optional)				Weight g
		VDC	VDC	A	RPM	CFM	mmH ₂ O	dBA	Tachometer Output	Rotation Detector	Thermal Control	Pulse Width Modulation	
RDH1225S	Sleeve	12	6.0~13.8	0.40	2,400	91.6	4.8	44	•	•	•	•	164
RDM1225S			6.0~13.8	0.23	2,000	76.9	3.5	38	•	•	•	•	
RDL1225S			6.0~13.8	0.18	1,700	65.1	2.6	34	•	•	•	•	
RDH1225B	Ball		6.0~13.8	0.40	2,400	91.6	4.8	44	•	•	•	•	
RDM1225B			6.0~13.8	0.23	2,000	76.9	3.5	38	•	•	•	•	
RDL1225B			6.0~13.8	0.18	1,700	65.1	2.6	34	•	•	•	•	
RDH1225S2	Sleeve	24	12.0~27.6	0.35	2,400	91.6	4.8	44	•	•			164
RDM1225S2			12.0~27.6	0.20	2,000	76.9	3.5	38	•	•			
RDL1225S2			12.0~27.6	0.13	1,700	65.1	2.6	34	•	•			
RDH1225B2	Ball		12.0~27.6	0.35	2,400	91.6	4.8	44	•	•			
RDM1225B2			12.0~27.6	0.20	2,000	76.9	3.5	38	•	•			
RDL1225B2			12.0~27.6	0.13	1,700	65.1	2.6	34	•	•			

Notes: ©All readings are typical values at rated voltage.
©Specifications are subjected to change without prior notice.

120x120x25mm



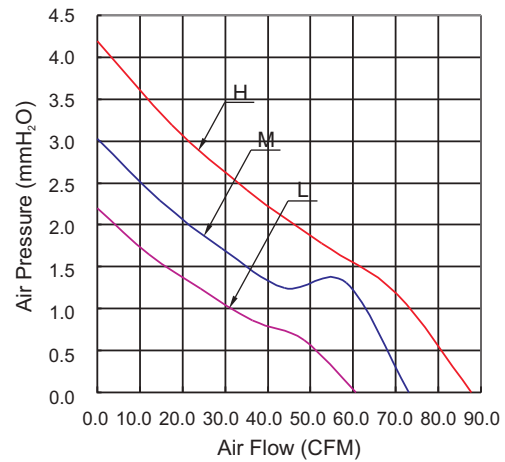
General Specification:

- Frame and Impeller : Thermal Plastic , UL 94V-0
- Lead Wires : UL Type
(+) : Red (-) : Black
- Operation Temperature : -10°C~70°C、
35%~85%RH
- Storage Temperature : -40°C~80°C、
35%~85%RH

Motor Protection:

- Impedance Protected
- Reverse Polarity Protected

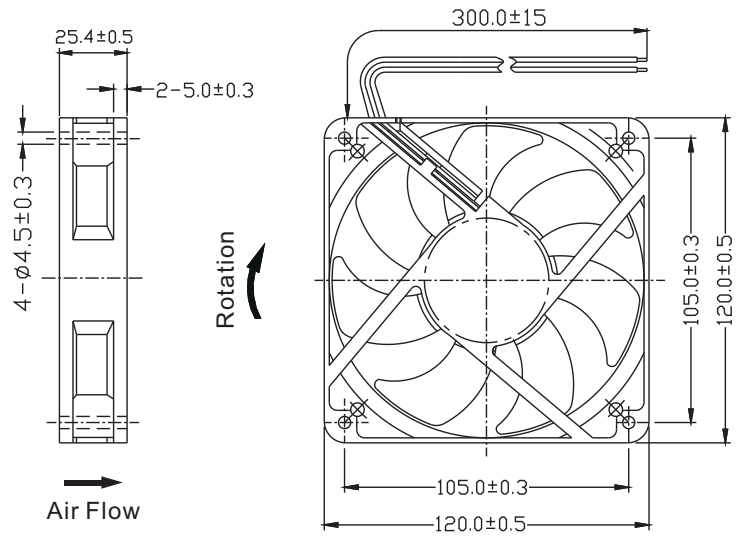
Performance Curves



Listed Model	Bearing System	Rated Voltage	Operation Voltage	Rated Current	Rated Speed	Air Flow	Air Pressure	Noise Level	Available Features (Optional)				Weight g
		VDC	VDC	A	RPM	CFM	mmH ₂ O	dBA	Tachometer Output	Rotation Detector	Thermal Control	Pulse Width Modulation	
RDH1225S	Sleeve	12	6.0~13.8	0.40	2,400	87.7	4.1	41	•	•	•	•	164
RDM1225S			6.0~13.8	0.23	2,000	73.0	3.0	36	•	•	•	•	
RDL1225S			6.0~13.8	0.18	1,700	60.5	2.2	31	•	•	•	•	
RDH1225B	Ball		6.0~13.8	0.40	2,400	87.7	4.1	41	•	•	•	•	
RDM1225B			6.0~13.8	0.23	2,000	73.0	3.0	36	•	•	•	•	
RDL1225B			6.0~13.8	0.18	1,700	60.5	2.2	31	•	•	•	•	
RDH1225S2	Sleeve	24	12.0~27.6	0.35	2,400	87.7	4.1	41	•	•			164
RDM1225S2			12.0~27.6	0.20	2,000	73.0	3.0	36	•	•			
RDL1225S2			12.0~27.6	0.13	1,700	60.5	2.2	31	•	•			
RDH1225B2	Ball		12.0~27.6	0.35	2,400	87.7	4.1	41	•	•			
RDM1225B2			12.0~27.6	0.20	2,000	73.0	3.0	36	•	•			
RDL1225B2			12.0~27.6	0.13	1,700	60.5	2.2	31	•	•			

Notes: ©All readings are typical values at rated voltage.
©Specifications are subjected to change without prior notice.

120x120x25mm



Unit: mm

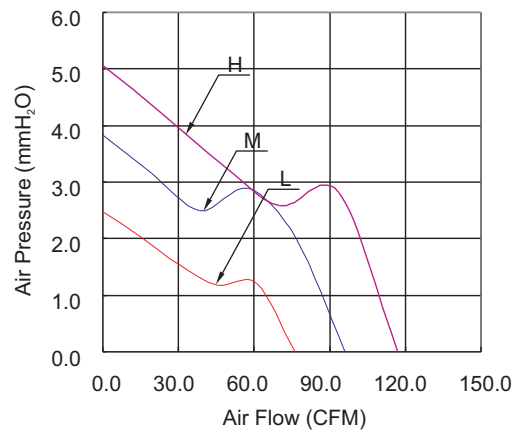
General Specification:

- Frame and Impeller : Thermal Plastic , UL 94V-0
- Lead Wires : UL Type
(+) : Red (-) : Black
- Operation Temperature : -10°C~70°C、
35%~85%RH
- Storage Temperature : -40°C~80°C、
35%~85%RH

Motor Protection:

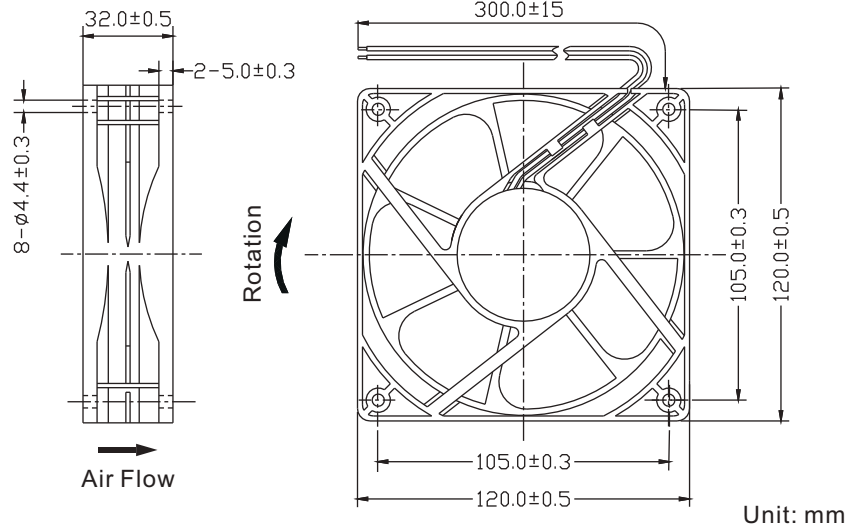
- Impedance Protected
- Reverse Polarity Protected

Performance Curves



Listed Model	Bearing System	Rated Voltage	Operation Voltage	Rated Current	Rated Speed	Air Flow	Air Pressure	Noise Level	Available Features (Optional)				Weight
		VDC	VDC	A	RPM	CFM	mmH ₂ O	dBA	Tachometer Output	Rotation Detector	Thermal Control	Pulse Width Modulation	g
RDH1225B4	Ball	48	24.0~55.2	0.30	3,000	116.8	5.0	45	•	•		•	164
RDM1225B4			24.0~55.2	0.24	2,500	96.1	3.8	40	•	•		•	
RDL1225B4			24.0~55.2	0.15	2,000	76.2	2.4	34	•	•		•	
RDH1225S4	Sleeve		24.0~55.2	0.30	3,000	116.8	5.0	45	•	•		•	
RDM1225S4			24.0~55.2	0.24	2,500	96.1	3.8	40	•	•		•	
RDL1225S4			24.0~55.2	0.15	2,000	76.2	2.4	34	•	•		•	
RDH1225B6	Ball	60	36.0~72.0	0.30	3,000	116.8	5.0	45	•	•		•	

120x120x32mm



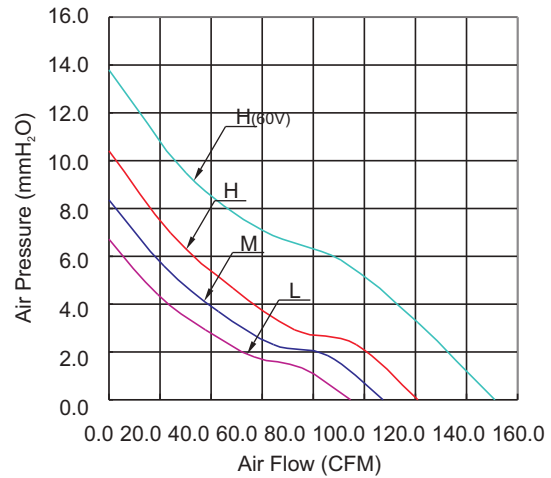
General Specification:

- Frame and Impeller : Thermal Plastic , UL 94V-0
- Lead Wires : UL Type
(+) : Red (-) : Black
- Operation Temperature : -10°C~70°C、
35%~85%RH
- Storage Temperature : -40°C~80°C、
35%~85%RH

Motor Protection:

- Impedance Protected
- Reverse Polarity Protected

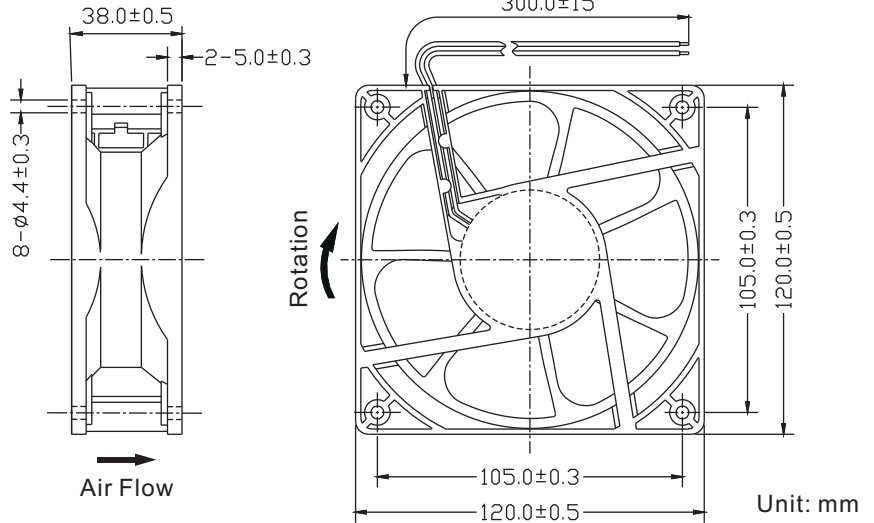
Performance Curves



Listed Model	Bearing System	Rated Voltage	Operation Voltage	Rated Current	Rated Speed	Air Flow	Air Pressure	Noise Level	Available Features (Optional)				Weight
		VDC	VDC	A	RPM	CFM	mmH ₂ O	dBA	Tachometer Output	Rotation Detector	Thermal Control	Pulse Width Modulation	g
RDH1232S	Sleeve	12	6.0~13.8	0.60	3,750	120.4	10.7	51	•	•		•	250
RDM1232S			6.0~13.8	0.50	3,300	106.6	8.6	48	•	•		•	
RDL1232S			6.0~13.8	0.32	2,900	93.0	6.9	44	•	•		•	
RDH1232B	Ball		6.0~13.8	0.60	3,750	120.4	10.7	51	•	•		•	
RDM1232B			6.0~13.8	0.50	3,300	106.6	8.6	48	•	•		•	
RDL1232B			6.0~13.8	0.32	2,900	93.0	6.9	44	•	•		•	
RDH1232S	Sleeve	24	12.0~27.6	0.28	3,750	120.4	10.7	51	•	•		•	
RDM1232S			12.0~27.6	0.22	3,300	106.6	8.6	48	•	•		•	
RDL1232S			12.0~27.6	0.16	2,900	93.0	6.9	44	•	•		•	
RDH1232B	Ball		12.0~27.6	0.28	3,750	120.4	10.7	51	•	•		•	
RDM1232B			12.0~27.6	0.22	3,300	106.6	8.6	48	•	•		•	
RDL1232B			12.0~27.6	0.16	2,900	93.0	6.9	44	•	•		•	
RDH1232S	Sleeve	48	24.0~55.2	0.18	3,750	120.4	10.7	51	•	•		•	
RDM1232S			24.0~55.2	0.15	3,300	106.6	8.6	48	•	•		•	
RDL1232S			24.0~55.2	0.13	2,900	93.0	6.9	44	•	•		•	
RDH1232B	Ball		24.0~55.2	0.18	3,750	120.4	10.7	51	•	•		•	
RDM1232B			24.0~55.2	0.15	3,300	106.6	8.6	48	•	•		•	
RDL1232B			24.0~55.2	0.13	2,900	93.0	6.9	44	•	•		•	
RDH1232B6	Ball	60	36.0~72.0	0.30	4,400	151.1	13.8	55	•	•		•	

Notes: ©All readings are typical values at rated voltage.
©Specifications are subjected to change without prior notice.

120x120x38mm



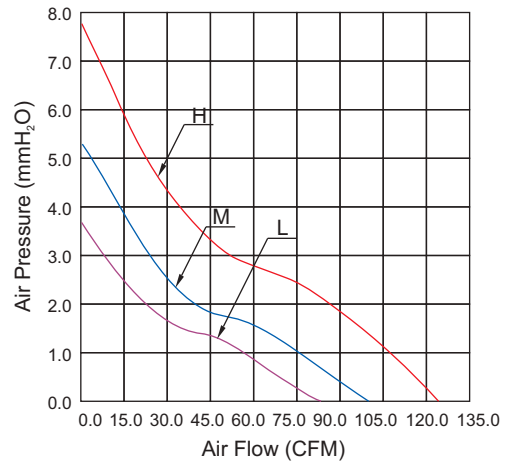
General Specification:

- Frame and Impeller : Thermal Plastic , UL 94V-0
- Lead Wires : UL Type
(+) : Red (-) : Black
- Operation Temperature : -10°C~70°C、
35%~85%RH
- Storage Temperature : -40°C~80°C、
35%~85%RH

Motor Protection:

- Impedance Protected
- Reverse Polarity Protected

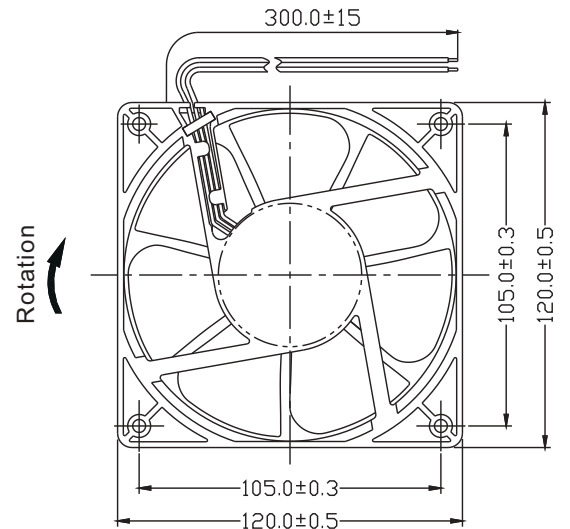
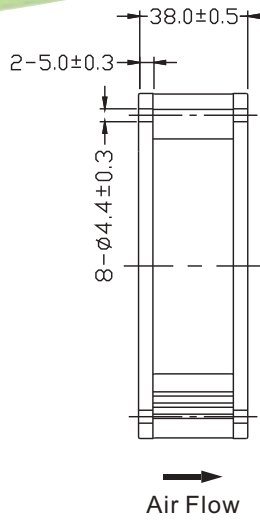
Performance Curves



Listed Model	Bearing System	Rated Voltage	Operation Voltage	Rated Current	Rated Speed	Air Flow	Air Pressure	Noise Level	Available Features (Optional)				Weight
		VDC	VDC	A	RPM	CFM	mmH ₂ O	dBA	Tachometer Output	Rotation Detector	Thermal Control	Pulse Width Modulation	g
RDH1238S	Sleeve	12	6.0~13.8	0.60	3,000	126.6	7.8	47	•	•	•	•	290
RDM1238S			6.0~13.8	0.40	2,400	100.4	5.2	41	•	•	•	•	
RDL1238S			6.0~13.8	0.25	2,000	83.2	3.7	37	•	•	•	•	
RDH1238B	Ball		6.0~13.8	0.60	3,000	126.6	7.8	47	•	•	•	•	
RDM1238B			6.0~13.8	0.40	2,400	100.4	5.2	41	•	•	•	•	
RDL1238B			6.0~13.8	0.25	2,000	83.2	3.7	37	•	•	•	•	
RDH1238S2	Sleeve	24	12.0~27.6	0.40	3,000	126.6	7.8	47	•	•		•	
RDM1238S2			12.0~27.6	0.30	2,400	100.4	5.2	41	•	•		•	
RDL1238S2			12.0~27.6	0.20	2,000	83.2	3.7	37	•	•		•	
RDH1238B2	Ball		12.0~27.6	0.40	3,000	126.6	7.8	47	•	•		•	
RDM1238B2			12.0~27.6	0.30	2,400	100.4	5.2	41	•	•		•	
RDL1238B2			12.0~27.6	0.20	2,000	83.2	3.7	37	•	•		•	
RDH1238S4	Sleeve	48	24.0~55.2	0.20	3,000	126.6	7.8	47	•	•		•	
RDM1238S4			24.0~55.2	0.15	2,400	100.4	5.2	41	•	•		•	
RDL1238S4			24.0~55.2	0.13	2,000	83.2	3.7	37	•	•		•	
RDH1238B4	Ball		24.0~55.2	0.20	3,000	126.6	7.8	47	•	•		•	
RDM1238B4			24.0~55.2	0.15	2,400	100.4	5.2	41	•	•		•	
RDL1238B4			24.0~55.2	0.13	2,000	83.2	3.7	37	•	•		•	

Notes: ©All readings are typical values at rated voltage.
©Specifications are subjected to change without prior notice.

120x120x38mm



Unit: mm

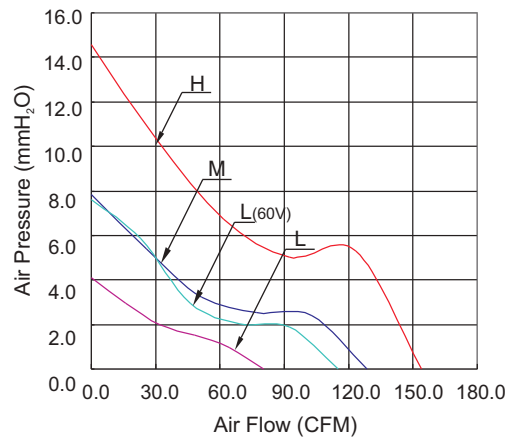
General Specification:

- Frame and Impeller : Thermal Plastic , UL 94V-0
- Lead Wires : UL Type
(+) : Red (-) : Black
- Operation Temperature : -10°C~70°C、
35%~85%RH
- Storage Temperature : -40°C~80°C、
35%~85%RH

Motor Protection:

- Impedance Protected
- Reverse Polarity Protected

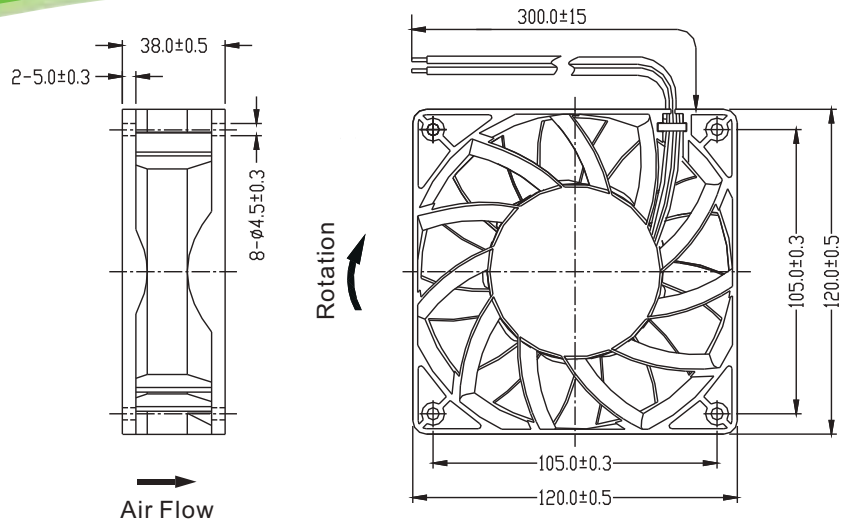
Performance Curves



Listed Model	Bearing System	Rated Voltage	Operation Voltage	Rated Current	Rated Speed	Air Flow	Air Pressure	Noise Level	Available Features (Optional)				Weight
		VDC	VDC	A	RPM	CFM	mmH ₂ O	dBA	Tachometer Output	Rotation Detector	Thermal Control	Pulse Width Modulation	g
RDH1238S1	Sleeve	12	6.0~13.8	1.30	3,800	154.0	14.6	52	•	•	•	•	290
RDM1238S1			6.0~13.8	0.58	2,900	128.7	7.8	44	•	•	•	•	
RDL1238S1			6.0~13.8	0.28	2,000	80.4	4.1	35	•	•	•	•	
RDH1238B1	Ball		6.0~13.8	1.30	3,800	154.0	14.6	52	•	•	•	•	
RDM1238B1			6.0~13.8	0.58	2,900	128.7	7.8	44	•	•	•	•	
RDL1238B1			6.0~13.8	0.28	2,000	80.4	4.1	35	•	•	•	•	
RDH1238S2	Sleeve	24	12.0~27.6	0.60	3,800	154.0	14.6	52	•	•	•	•	
RDM1238S2			12.0~27.6	0.40	2,900	128.7	7.8	44	•	•	•	•	
RDL1238S2			12.0~27.6	0.30	2,000	80.4	4.1	35	•	•	•	•	
RDH1238B2	Ball		12.0~27.6	0.60	3,800	154.0	14.6	52	•	•	•	•	
RDM1238B2			12.0~27.6	0.40	2,900	128.7	7.8	44	•	•	•	•	
RDL1238B2			12.0~27.6	0.30	2,000	80.4	4.1	35	•	•	•	•	
RDH1238S4	Sleeve	48	24.0~55.2	0.35	3,800	154.0	14.6	52	•	•	•	•	
RDM1238S4			24.0~55.2	0.30	2,900	128.7	7.8	44	•	•	•	•	
RDL1238S4			24.0~55.2	0.20	2,000	80.4	4.1	35	•	•	•	•	
RDH1238B4	Ball		24.0~55.2	0.35	3,800	154.0	14.6	52	•	•	•	•	
RDM1238B4			24.0~55.2	0.30	2,900	128.7	7.8	44	•	•	•	•	
RDL1238B4			24.0~55.2	0.20	2,000	80.4	4.1	35	•	•	•	•	
RDL1238B6	Ball	60	36.0~72.0	0.30	2,600	115.0	7.6	41	•	•	•	•	

Notes: ©All readings are typical values at rated voltage.
©Specifications are subjected to change without prior notice.

120x120x38mm



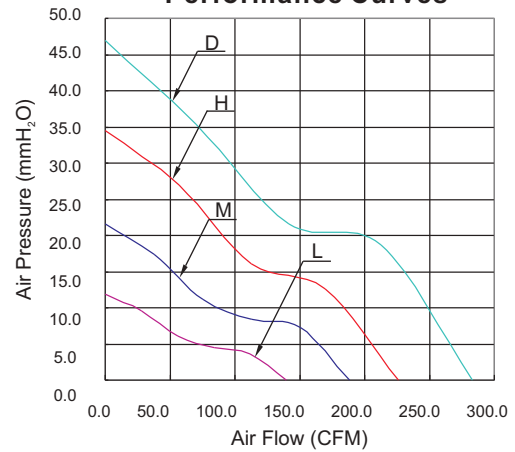
General Specification:

- Frame and Impeller : Thermal Plastic , UL 94V-0
- Lead Wires : UL Type
(+) : Red (-) : Black
- Operation Temperature : -10℃~70℃、
35%~85%RH
- Storage Temperature : -40℃~80℃、
35%~85%RH

Motor Protection:

- Impedance Protected
- Reverse Polarity Protected

Performance Curves

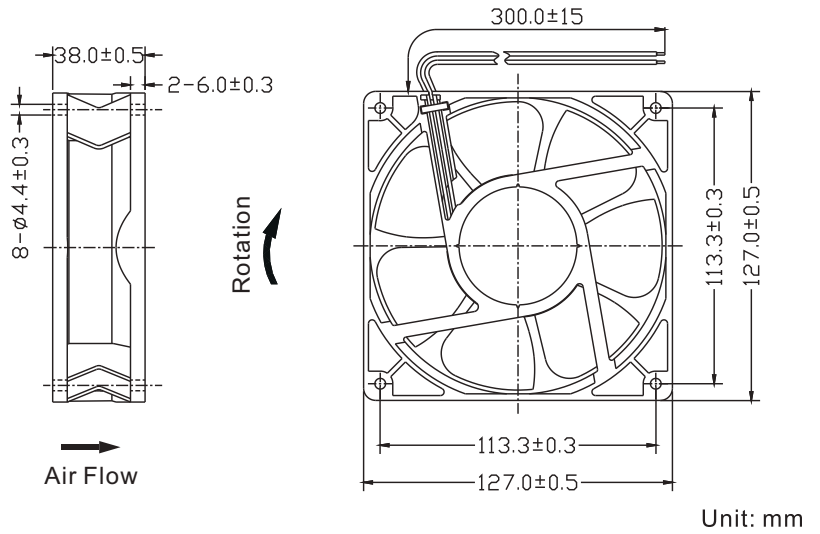


Unit: mm

Listed Model	Bearing System	Rated Voltage	Operation Voltage	Rated Current	Rated Speed	Air Flow	Air Pressure	Noise Level	Available Features (Optional)				Weight	
		VDC	VDC	A	RPM	CFM	mmH ₂ O	dBA	Tachometer Output	Rotation Detector	Thermal Control	Pulse Width Modulation	g	
RGH1238S1	Sleeve	12	6.0~13.8	3.60	5,000	226.0	34.4	65	•	•	•	•	350	
RGM1238S1			6.0~13.8	2.00	4,000	188.6	21.6	59	•	•	•	•		
RGL1238S1			6.0~13.8	1.50	3,000	139.8	11.9	52	•	•	•	•		
RGH1238B1	Ball		6.0~13.8	3.60	5,000	226.0	34.4	65	•	•	•	•		
RGM1238B1			6.0~13.8	2.00	4,000	188.6	21.6	59	•	•	•	•		
RGL1238B1			6.0~13.8	1.50	3,000	139.8	11.9	52	•	•	•	•		
RGH1238S2	Sleeve		24	12.0~27.6	1.70	5,000	226.0	34.4	65	•	•	•		•
RGM1238S2				12.0~27.6	1.10	4,000	188.6	21.6	59	•	•	•		•
RGL1238S2				12.0~27.6	0.60	3,000	139.8	11.9	52	•	•	•		•
RGH1238B2	Ball			12.0~27.6	1.70	5,000	226.0	34.4	65	•	•	•		•
RGM1238B2				12.0~27.6	1.10	4,000	188.6	21.6	59	•	•	•		•
RGL1238B2				12.0~27.6	0.60	3,000	139.8	11.9	52	•	•	•		•
RGD1238S4	Sleeve	48		24.0~55.2	1.30	6,000	283.0	46.9	70	•	•	•	•	
RGH1238S4				24.0~55.2	1.00	5,000	226.0	34.4	65	•	•	•	•	
RGM1238S4				24.0~55.2	0.60	4,000	188.6	21.6	59	•	•	•	•	
RGL1238S4	Ball			24.0~55.2	0.38	3,000	139.8	11.9	52	•	•	•	•	
RGD1238B4				24.0~55.2	1.30	6,000	283.0	46.9	70	•	•	•	•	
RGH1238B4				24.0~55.2	1.00	5,000	226.0	34.4	65	•	•	•	•	
RGM1238B4	24.0~55.2		0.60	4,000	188.6	21.6	59	•	•	•	•			
RGL1238B4	24.0~55.2		0.38	3,000	139.8	11.9	52	•	•	•	•			

Notes: ©All readings are typical values at rated voltage.
©Specifications are subjected to change without prior notice.

127x127x38mm



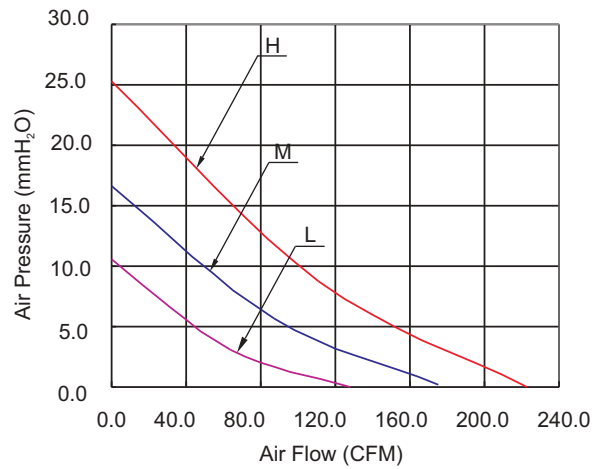
General Specification:

- Frame and Impeller : Thermal Plastic , UL 94V-0
- Lead Wires : UL Type
(+) : Red (-) : Black
- Operation Temperature : -10°C ~ 70°C ,
35% ~ 85%RH
- Storage Temperature : -40°C ~ 80°C ,
35% ~ 85%RH

Motor Protection:

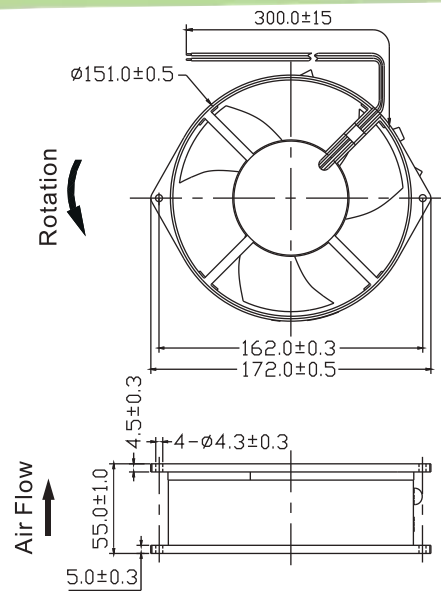
- Impedance Protected
- Reverse Polarity Protected

Performance Curves



Listed Model	Bearing System	Rated Voltage	Operation Voltage	Rated Current	Rated Speed	Air Flow	Air Pressure	Noise Level	Available Features (Optional)				Weight g
		VDC	VDC	A	RPM	CFM	mmH ₂ O	dBA	Tachometer Output	Rotation Detector	Thermal Control	Pulse Width Modulation	
RDH1338B1	Ball	12	7.0~13.8	2.80	5,000	222.9	25.3	61	•	•	•	•	300
RDM1338B1			7.0~13.8	1.80	4,000	175.1	16.7	55	•	•	•	•	
RDL1338B1			7.0~13.8	1.00	3,000	128.1	10.5	49	•	•	•	•	
RDH1338B2	Ball	24	12.0~27.6	1.50	5,000	222.9	25.3	61	•	•	•	•	
RDM1338B2			12.0~27.6	1.00	4,000	175.1	16.7	55	•	•	•	•	
RDL1338B2			12.0~27.6	0.50	3,000	128.1	10.5	49	•	•	•	•	
RDH1338B4	Ball	48	24.0~55.2	1.00	5,000	222.9	25.3	61	•	•	•	•	
RDM1338B4			24.0~55.2	0.60	4,000	175.1	16.7	55	•	•	•	•	
RDL1338B4			24.0~55.2	0.35	3,000	128.1	10.5	49	•	•	•	•	

Ø151x55mm



Unit: mm

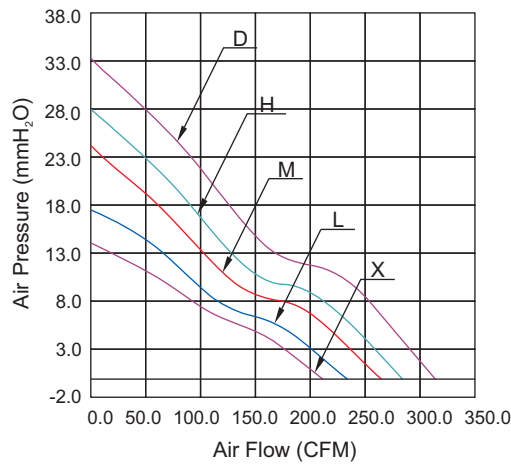
General Specification:

- Frame : Aluminum Alloy
- Impeller : Thermal Plastic , UL 94V-2
- Lead Wires : UL Type
(+) : Red (-) : Black
- Operation Temperature : -10°C~70°C、
35%~85%RH
- Storage Temperature : -40°C~80°C、
35%~85%RH

Motor Protection:

- Impedance Protected
- Reverse Polarity Protected

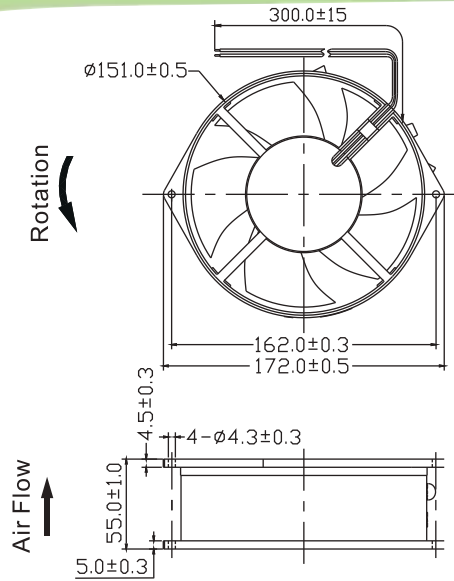
Performance Curves



Listed Model	Bearing System	Rated Voltage	Operation Voltage	Rated Current	Rated Speed	Air Flow	Air Pressure	Noise Level	Available Features (Optional)				Weight	
		VDC	VDC	A	RPM	CFM	mmH ₂ O	dBA	Tachometer Output	Rotation Detector	Thermal Control	Pulse Width Modulation	g	
RDH1555S1-3	Sleeve	12	9.0~13.8	3.50	3,900	264.5	24.1	62	•	•		•	740	
RDM1555S1-3			9.0~13.8	2.40	3,500	233.2	17.5	59	•	•		•		
RDL1555S1-3			9.0~13.8	1.70	3,200	211.2	14.1	57	•	•		•		
RDH1555B1-3	Ball		9.0~13.8	3.50	3,900	264.5	24.1	62	•	•		•		
RDM1555B1-3			9.0~13.8	2.40	3,500	233.2	17.5	59	•	•		•		
RDL1555B1-3			9.0~13.8	1.70	3,200	211.2	14.1	57	•	•		•		
RDD1555S2-3	Sleeve	24	15.0~27.6	2.30	4,600	313.8	33.4	66	•	•		•		
RDH1555S2-3			15.0~27.6	1.80	4,200	283.3	28.1	64	•	•		•		
RDM1555S2-3			15.0~27.6	1.40	3,900	264.5	24.1	62	•	•		•		
RDL1555S2-3			15.0~27.6	0.95	3,500	233.2	17.5	59	•	•		•		
RDX1555S2-3			15.0~27.6	0.70	3,200	211.2	14.1	57	•	•		•		
RDD1555B2-3	Ball		15.0~27.6	2.30	4,600	313.8	33.4	66	•	•		•		
RDH1555B2-3			15.0~27.6	1.80	4,200	283.3	28.1	64	•	•		•		
RDM1555B2-3			15.0~27.6	1.40	3,900	264.5	24.1	62	•	•		•		
RDL1555B2-3			15.0~27.6	0.95	3,500	233.2	17.5	59	•	•		•		
RDX1555B2-3			15.0~27.6	0.70	3,200	211.2	14.1	57	•	•		•		
RDD1555S4-3	Sleeve		48	24.0~55.2	1.20	4,600	313.8	33.4	66	•	•			•
RDH1555S4-3				24.0~55.2	0.75	4,200	283.3	28.1	64	•	•			•
RDM1555S4-3		24.0~55.2		0.60	3,900	264.5	24.1	62	•	•		•		
RDL1555S4-3		24.0~55.2		0.50	3,500	233.2	17.5	59	•	•		•		
RDX1555S4-3		24.0~55.2		0.40	3,200	211.2	14.1	57	•	•		•		
RDD1555B4-3	Ball	24.0~55.2		1.20	4,600	313.8	33.4	66	•	•		•		
RDH1555B4-3		24.0~55.2		0.75	4,200	283.3	28.1	64	•	•		•		
RDM1555B4-3		24.0~55.2		0.60	3,900	264.5	24.1	62	•	•		•		
RDL1555B4-3		24.0~55.2		0.50	3,500	233.2	17.5	59	•	•		•		
RDX1555B4-3		24.0~55.2		0.40	3,200	211.2	14.1	57	•	•		•		

Notes: ©All readings are typical values at rated voltage.
©Specifications are subjected to change without prior notice.

Ø 151x55mm



Unit: mm

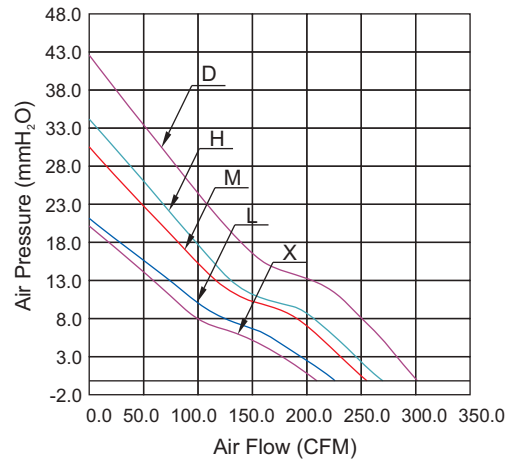
General Specification:

- Frame : Aluminum Alloy
- Impeller : Thermal Plastic , UL 94V-2
- Lead Wires : UL Type
(+) : Red (-) : Black
- Operation Temperature : -10°C~70°C,
35%~85%RH
- Storage Temperature : -40°C~80°C,
35%~85%RH

Motor Protection:

- Impedance Protected
- Reverse Polarity Protected

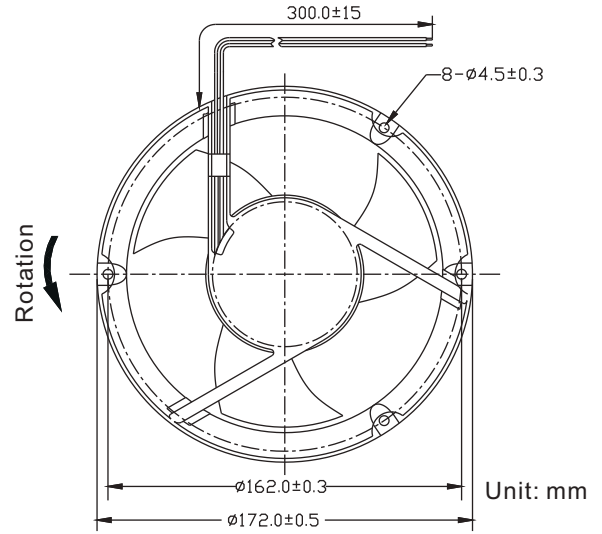
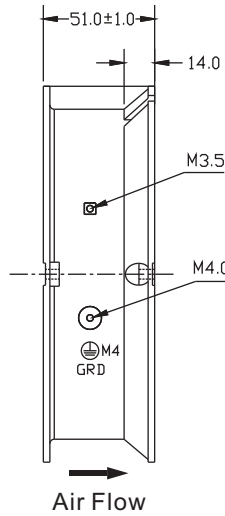
Performance Curves



Listed Model	Bearing System	Rated Voltage	Operation Voltage	Rated Current	Rated Speed	Air Flow	Air Pressure	Noise Level	Available Features (Optional)				Weight
		VDC	VDC	A	RPM	CFM	mmH ₂ O	dBA	Tachometer Output	Rotation Detector	Thermal Control	Pulse Width Modulation	g
RDH1555S1-5	Sleeve	12	9.0~13.8	3.50	3,800	255.8	30.7	60	•	•		•	765
RDM1555S1-5			9.0~13.8	2.40	3,400	225.8	21.1	58	•	•		•	
RDL1555S1-5			9.0~13.8	1.70	3,100	209.4	20.2	54	•	•		•	
RDH1555B1-5	Ball		9.0~13.8	3.50	3,800	255.8	30.7	60	•	•		•	
RDM1555B1-5			9.0~13.8	2.40	3,400	225.8	21.1	58	•	•		•	
RDL1555B1-5			9.0~13.8	1.70	3,100	209.4	20.2	54	•	•		•	
RDD1555S2-5	Sleeve	24	15.0~27.6	2.30	4,500	301.6	42.6	65	•	•		•	
RDH1555S2-5			15.0~27.6	1.80	4,000	270.0	34.2	62	•	•		•	
RDM1555S2-5			15.0~27.6	1.40	3,800	255.8	30.7	60	•	•		•	
RDL1555S2-5			15.0~27.6	0.95	3,400	225.8	21.1	58	•	•		•	
RDX1555S2-5			15.0~27.6	0.70	3,100	209.4	20.2	54	•	•		•	
RDD1555B2-5			Ball	15.0~27.6	2.30	4,500	301.6	42.6	65	•	•		
RDH1555B2-5	15.0~27.6	1.80		4,000	270.0	34.2	62	•	•		•		
RDM1555B2-5	15.0~27.6	1.40		3,800	255.8	30.7	60	•	•		•		
RDL1555B2-5	15.0~27.6	0.95		3,400	225.8	21.1	58	•	•		•		
RDX1555B2-5	15.0~27.6	0.70		3,100	209.4	20.2	54	•	•		•		
RDD1555S4-5	Sleeve	48		24.0~55.2	1.20	4,500	301.6	42.6	65	•	•		
RDH1555S4-5			24.0~55.2	0.75	4,000	270.0	34.2	62	•	•		•	
RDM1555S4-5			24.0~55.2	0.60	3,800	255.8	30.7	60	•	•		•	
RDL1555S4-5			24.0~55.2	0.50	3,400	225.8	21.1	58	•	•		•	
RDX1555S4-5			24.0~55.2	0.40	3,100	209.4	20.2	54	•	•		•	
RDD1555B4-5			Ball	24.0~55.2	1.20	4,500	301.6	42.6	65	•	•		•
RDH1555B4-5	24.0~55.2	0.75		4,000	270.0	34.2	62	•	•		•		
RDM1555B4-5	24.0~55.2	0.60		3,800	255.8	30.7	60	•	•		•		
RDL1555B4-5	24.0~55.2	0.50		3,400	225.8	21.1	58	•	•		•		
RDX1555B4-5	24.0~55.2	0.40		3,100	209.4	20.2	54	•	•		•		

Notes: © All readings are typical values at rated voltage.
© Specifications are subjected to change without prior notice.

Ø172x51mm



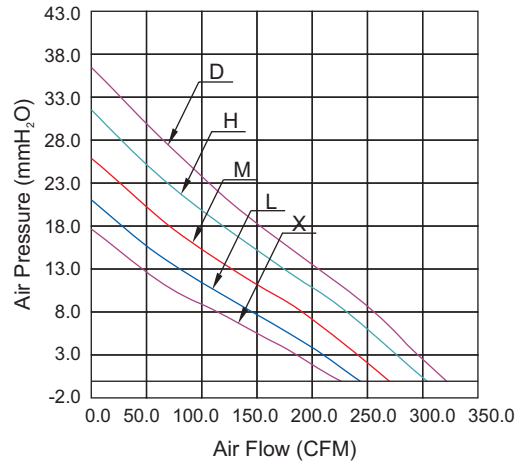
General Specification:

- Frame : Aluminum Alloy
- Impeller : Thermal Plastic , UL 94V-2
- Lead Wires : UL Type
(+) : Red (-) : Black
- Operation Temperature : -10°C~70°C,
35%~85%RH
- Storage Temperature : -40°C~80°C,
35%~85%RH

Motor Protection:

- Impedance Protected
- Reverse Polarity Protected

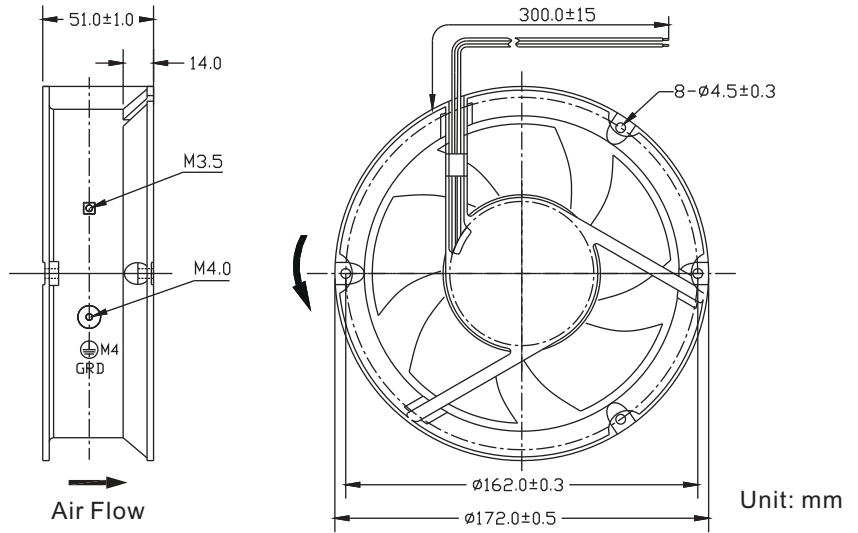
Performance Curves



Listed Model	Bearing System	Rated Voltage	Operation Voltage	Rated Current	Rated Speed	Air Flow	Air Pressure	Noise Level	Available Features (Optional)				Weight
		VDC	VDC	A	RPM	CFM	mmH ₂ O	dBA	Tachometer Output	Rotation Detector	Thermal Control	Pulse Width Modulation	g
RDH1725S1-3	Sleeve	12	9.0~13.8	3.50	3,900	269.9	26.0	61	•	•		•	800
RDM1725S1-3			9.0~13.8	2.40	3,500	244.0	21.2	58	•	•		•	
RDL1725S1-3			9.0~13.8	1.70	3,200	226.5	17.7	56	•	•		•	
RDH1725B1-3	Ball		9.0~13.8	3.50	3,900	269.9	26.0	61	•	•		•	
RDM1725B1-3			9.0~13.8	2.40	3,500	244.0	21.2	58	•	•		•	
RDL1725B1-3			9.0~13.8	1.70	3,200	226.5	17.7	56	•	•		•	
RDD1725S2-3	Sleeve	24	15.0~27.6	2.30	4,600	321.6	36.4	65	•	•		•	
RDH1725S2-3			15.0~27.6	1.80	4,200	304.0	31.4	62	•	•		•	
RDM1725S2-3			15.0~27.6	1.40	3,900	269.9	26.0	61	•	•		•	
RDL1725S2-3			15.0~27.6	0.95	3,500	244.0	21.2	58	•	•		•	
RDX1725S2-3			15.0~27.6	0.70	3,200	226.5	17.7	56	•	•		•	
RDD1725B2-3			Ball	15.0~27.6	2.30	4,600	321.6	36.4	65	•	•		
RDH1725B2-3	15.0~27.6			1.80	4,200	304.0	31.4	62	•	•		•	
RDM1725B2-3	15.0~27.6			1.40	3,900	269.9	26.0	61	•	•		•	
RDL1725B2-3	15.0~27.6			0.95	3,500	244.0	21.2	58	•	•		•	
RDX1725B2-3	15.0~27.6			0.70	3,200	226.5	17.7	56	•	•		•	
RDD1725S4-3	Sleeve			48	24.0~55.2	1.20	4,600	321.6	36.4	65	•	•	
RDH1725S4-3			24.0~55.2		0.75	4,200	304.0	31.4	62	•	•		•
RDM1725S4-3		24.0~55.2	0.60		3,900	269.9	26.0	61	•	•		•	
RDL1725S4-3		24.0~55.2	0.50		3,500	244.0	21.2	58	•	•		•	
RDX1725S4-3		24.0~55.2	0.40		3,200	226.5	17.7	56	•	•		•	
RDD1725B4-3		Ball	24.0~55.2		1.20	4,600	321.6	36.4	65	•	•		•
RDH1725B4-3			24.0~55.2		0.75	4,200	304.0	31.4	62	•	•		•
RDM1725B4-3			24.0~55.2		0.60	3,900	269.9	26.0	61	•	•		•
RDL1725B4-3			24.0~55.2		0.50	3,500	244.0	21.2	58	•	•		•
RDX1725B4-3			24.0~55.2		0.40	3,200	226.5	17.7	56	•	•		•

Notes: ©All readings are typical values at rated voltage.
©Specifications are subjected to change without prior notice.

Ø172x51mm



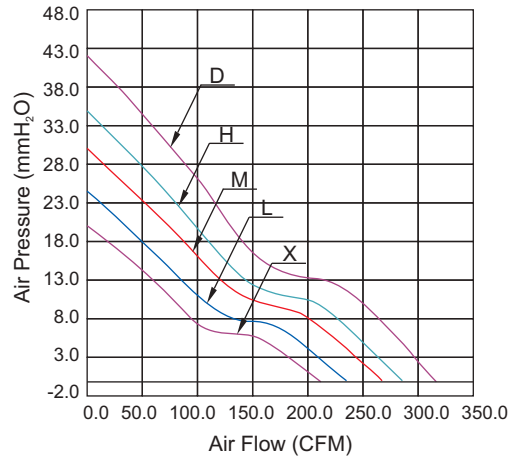
General Specification:

- Frame : Aluminum Alloy
- Impeller : Thermal Plastic , UL 94V-2
- Lead Wires : UL Type
(+) : Red (-) : Black
- Operation Temperature : -10°C~70°C、
35%~85%RH
- Storage Temperature : -40°C~80°C、
35%~85%RH

Motor Protection:

- Impedance Protected
- Reverse Polarity Protected

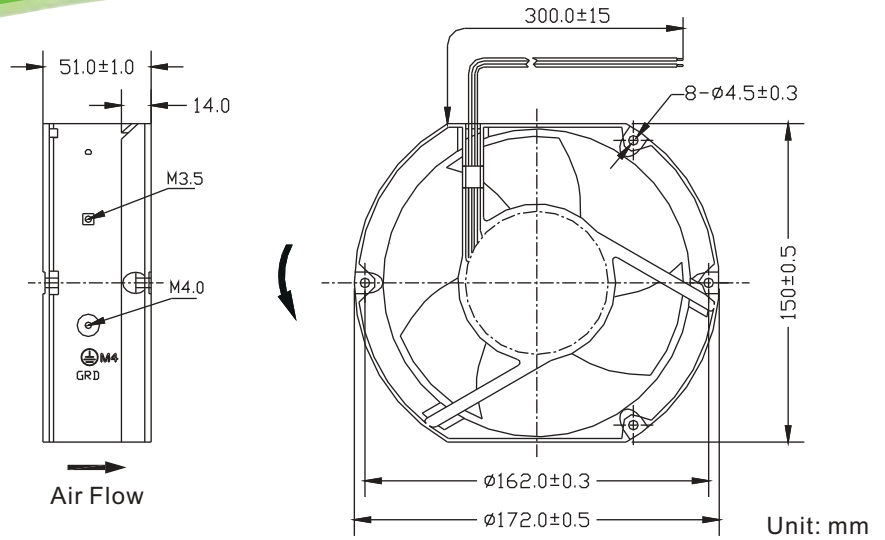
Performance Curves



Listed Model	Bearing System	Rated Voltage	Operation Voltage	Rated Current	Rated Speed	Air Flow	Air Pressure	Noise Level	Available Features (Optional)				Weight
		VDC	VDC	A	RPM	CFM	mmH ₂ O	dBA	Tachometer Output	Rotation Detector	Thermal Control	Pulse Width Modulation	g
RDH1725S1-5	Sleeve	12	9.0~13.8	3.50	3,800	267.7	30.2	59	•	•		•	830
RDM1725S1-5			9.0~13.8	2.40	3,400	235.0	24.4	56	•	•		•	
RDL1725S1-5			9.0~13.8	1.70	3,100	211.8	19.8	54	•	•		•	
RDH1725B1-5	Ball		9.0~13.8	3.50	3,800	267.7	30.2	59	•	•		•	
RDM1725B1-5			9.0~13.8	2.40	3,400	235.0	24.4	56	•	•		•	
RDL1725B1-5			9.0~13.8	1.70	3,100	211.8	19.8	54	•	•		•	
RDD1725S2-5	Sleeve	24	15.0~27.6	2.30	4,500	316.9	42.2	63	•	•		•	
RDH1725S2-5			15.0~27.6	1.80	4,000	285.0	34.8	61	•	•		•	
RDM1725S2-5			15.0~27.6	1.40	3,800	267.7	30.2	59	•	•		•	
RDL1725S2-5			15.0~27.6	0.95	3,400	235.0	24.4	56	•	•		•	
RDX1725S2-5			15.0~27.6	0.70	3,100	211.8	19.8	54	•	•		•	
RDD1725B2-5			Ball	15.0~27.6	2.30	4,500	316.9	42.2	63	•	•		
RDH1725B2-5	15.0~27.6	1.80		4,000	285.0	34.8	61	•	•		•		
RDM1725B2-5	15.0~27.6	1.40		3,800	267.7	30.2	59	•	•		•		
RDL1725B2-5	15.0~27.6	0.95		3,400	235.0	24.4	56	•	•		•		
RDX1725B2-5	15.0~27.6	0.70		3,100	211.8	19.8	54	•	•		•		
RDD1725S4-5	Sleeve	48		24.0~55.2	1.20	4,500	316.9	42.2	63	•	•		
RDH1725S4-5			24.0~55.2	0.75	4,000	285.0	34.8	61	•	•		•	
RDM1725S4-5			24.0~55.2	0.60	3,800	267.7	30.2	59	•	•		•	
RDL1725S4-5			24.0~55.2	0.50	3,400	235.0	24.4	56	•	•		•	
RDX1725S4-5			24.0~55.2	0.40	3,100	211.8	19.8	54	•	•		•	
RDD1725B4-5			Ball	24.0~55.2	1.20	4,500	316.9	42.2	63	•	•		•
RDH1725B4-5	24.0~55.2	0.75		4,000	285.0	34.8	61	•	•		•		
RDM1725B4-5	24.0~55.2	0.60		3,800	267.7	30.2	59	•	•		•		
RDL1725B4-5	24.0~55.2	0.50		3,400	235.0	24.4	56	•	•		•		
RDX1725B4-5	24.0~55.2	0.40		3,100	211.8	19.8	54	•	•		•		

Notes: © All readings are typical values at rated voltage.
© Specifications are subjected to change without prior notice.

172x150x51mm



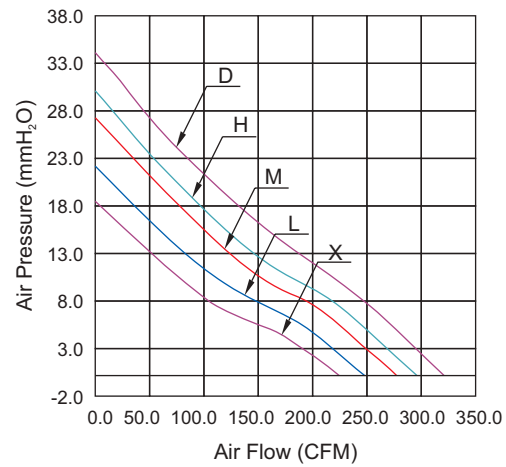
General Specification:

- Frame : Aluminum Alloy
- Impeller : Thermal Plastic , UL 94V-2
- Lead Wires : UL Type
(+) : Red (-) : Black
- Operation Temperature : -10°C~70°C、
35%~85%RH
- Storage Temperature : -40°C~80°C、
35%~85%RH

Motor Protection:

- Impedance Protected
- Reverse Polarity Protected

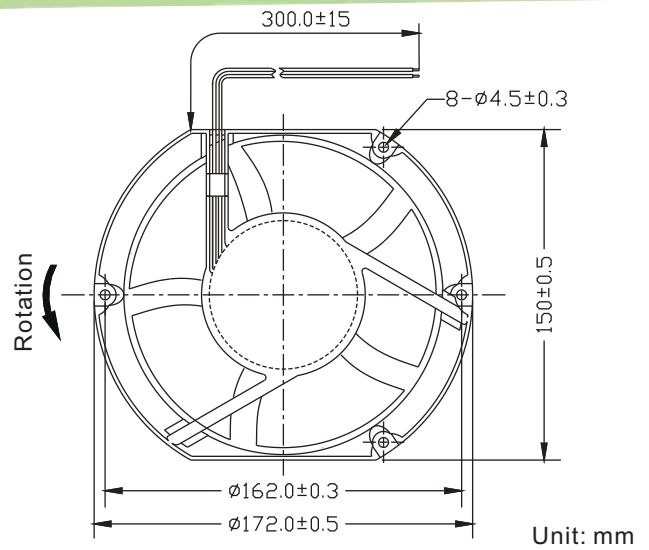
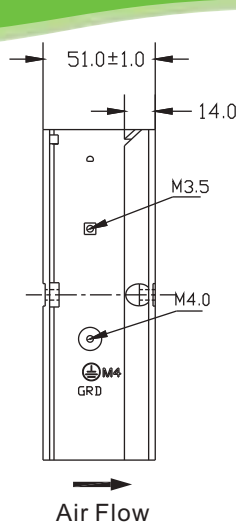
Performance Curves



Listed Model	Bearing System	Rated Voltage	Operation Voltage	Rated Current	Rated Speed	Air Flow	Air Pressure	Noise Level	Available Features (Optional)				Weight	
		VDC	VDC	A	RPM	CFM	mmH ₂ O	dBa	Tachometer Output	Rotation Detector	Thermal Control	Pulse Width Modulation	g	
RDH1751S1-3	Sleeve	12	9.0~13.8	3.50	3,900	277.2	27.3	63	•	•		•	715	
RDM1751S1-3			9.0~13.8	2.40	3,500	248.0	22.0	60	•	•		•		
RDL1751S1-3			9.0~13.8	1.70	3,200	223.9	18.4	57	•	•		•		
RDH1751B1-3	Ball		9.0~13.8	3.50	3,900	277.2	27.3	63	•	•		•		
RDM1751B1-3			9.0~13.8	2.40	3,500	248.0	22.0	60	•	•		•		
RDL1751B1-3			9.0~13.8	1.70	3,200	223.9	18.4	57	•	•		•		
RDD1751S2-3	Sleeve	24	15.0~27.6	2.30	4,600	320.5	34.1	67	•	•		•		
RDH1751S2-3			15.0~27.6	1.80	4,200	295.1	30.1	65	•	•		•		
RDM1751S2-3			15.0~27.6	1.40	3,900	277.2	27.3	63	•	•		•		
RDL1751S2-3			15.0~27.6	0.95	3,500	248.0	22.0	60	•	•		•		
RDX1751S2-3			15.0~27.6	0.70	3,200	223.9	18.4	57	•	•		•		
RDD1751B2-3			Ball	15.0~27.6	2.30	4,600	320.5	34.1	67	•	•			•
RDH1751B2-3	15.0~27.6			1.80	4,200	295.1	30.1	65	•	•		•		
RDM1751B2-3	15.0~27.6			1.40	3,900	277.2	27.3	63	•	•		•		
RDL1751B2-3	15.0~27.6			0.95	3,500	248.0	22.0	60	•	•		•		
RDX1751B2-3	15.0~27.6			0.70	3,200	223.9	18.4	57	•	•		•		
RDD1751S4-3	Sleeve			48	24.0~55.2	1.20	4,600	320.5	34.1	67	•	•		
RDH1751S4-3			24.0~55.2		0.75	4,200	295.1	30.1	65	•	•			•
RDM1751S4-3		24.0~55.2	0.60		3,900	277.2	27.3	63	•	•		•		
RDL1751S4-3		24.0~55.2	0.50		3,500	248.0	22.0	60	•	•		•		
RDX1751S4-3		24.0~55.2	0.40		3,200	223.9	18.4	57	•	•		•		
RDD1751B4-3		Ball	24.0~55.2		1.20	4,600	320.5	34.1	67	•	•			•
RDH1751B4-3			24.0~55.2		0.75	4,200	295.1	30.1	65	•	•			•
RDM1751B4-3			24.0~55.2		0.60	3,900	277.2	27.3	63	•	•			•
RDL1751B4-3			24.0~55.2		0.50	3,500	248.0	22.0	60	•	•		•	
RDX1751B4-3			24.0~55.2		0.40	3,200	223.9	18.4	57	•	•		•	

Notes: © All readings are typical values at rated voltage.
© Specifications are subjected to change without prior notice.

17x150x51mm



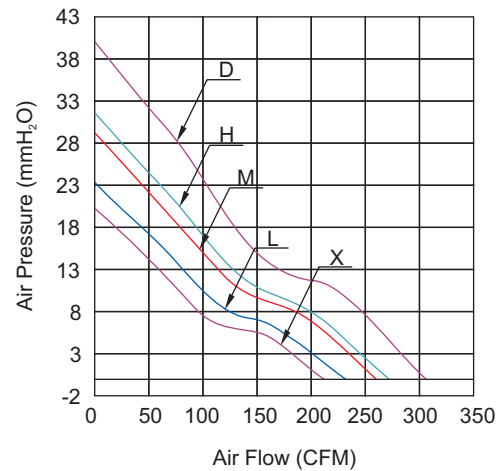
General Specification:

- Frame : Aluminum Alloy
- Impeller : Thermal Plastic , UL 94V-2
- Lead Wires : UL Type
(+) : Red (-) : Black
- Operation Temperature : -10°C~70°C、
35%~85%RH
- Storage Temperature : -40°C~80°C、
35%~85%RH

Motor Protection:

- Impedance Protected
- Reverse Polarity Protected

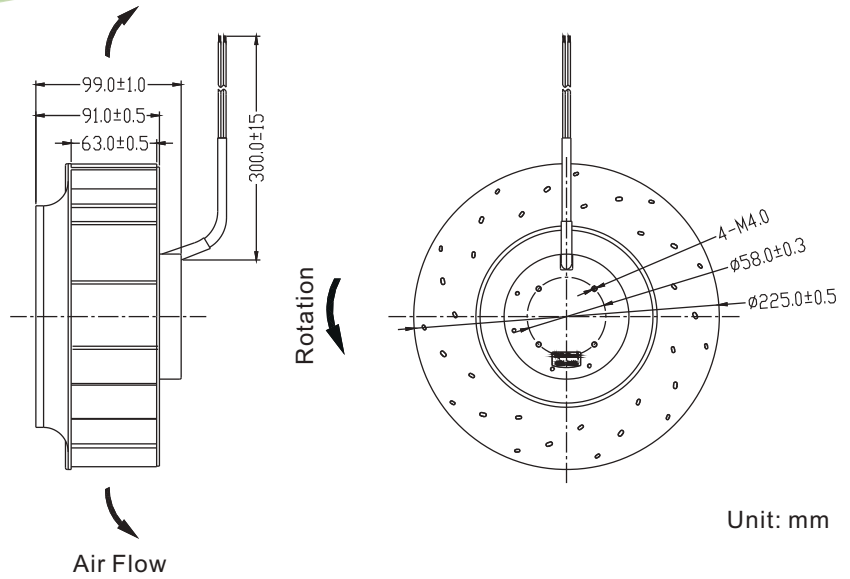
Performance Curves



Listed Model	Bearing System	Rated Voltage	Operation Voltage	Rated Current	Rated Speed	Air Flow	Static Pressure	Noise Level	Available Features (Optional)				Weight	
		VDC	VDC	A	RPM	CFM	mmH ₂ O	dBA	Tachometer Output	Rotation Detector	Thermal Control	Pulse Width Modulation	g	
RDH1751S1-5	Sleeve	12	9.0~13.8	3.50	3,800	260.7	29.0	62	•	•		•	735	
RDM1751S1-5			9.0~13.8	2.40	3,400	231.9	23.3	59	•	•		•		
RDL1751S1-5			9.0~13.8	1.70	3,100	211.8	20.0	56	•	•		•		
RDH1751B1-5	Ball		9.0~13.8	3.50	3,800	260.7	29.0	62	•	•		•		
RDM1751B1-5			9.0~13.8	2.40	3,400	231.9	23.3	59	•	•		•		
RDL1751B1-5			9.0~13.8	1.70	3,100	211.8	20.0	56	•	•		•		
RDD1751S2-5	Sleeve	24	15.0~27.6	2.30	4,500	306.4	39.9	66	•	•		•		
RDH1751S2-5			15.0~27.6	1.80	4,000	272.6	31.5	64	•	•		•		
RDM1751S2-5			15.0~27.6	1.40	3,800	260.7	29.0	62	•	•		•		
RDL1751S2-5			15.0~27.6	0.95	3,400	231.9	23.3	59	•	•		•		
RDX1751S2-5			15.0~27.6	0.70	3,100	211.8	20.0	56	•	•		•		
RDD1751B2-5			Ball	15.0~27.6	2.30	4,500	306.4	39.9	66	•	•			•
RDH1751B2-5	15.0~27.6			1.80	4,000	272.6	31.5	64	•	•		•		
RDM1751B2-5	15.0~27.6			1.40	3,800	260.7	29.0	62	•	•		•		
RDL1751B2-5	15.0~27.6			0.95	3,400	231.9	23.3	59	•	•		•		
RDX1751B2-5	15.0~27.6			0.70	3,100	211.8	20.0	56	•	•		•		
RDD1751S4-5	Sleeve			48	24.0~55.2	1.20	4,500	306.4	39.9	66	•	•		
RDH1751S4-5			24.0~55.2		0.75	4,000	272.6	31.5	64	•	•			•
RDM1751S4-5		24.0~55.2	0.60		3,800	260.7	29.0	62	•	•		•		
RDL1751S4-5		24.0~55.2	0.50		3,400	231.9	23.3	59	•	•		•		
RDX1751S4-5		24.0~55.2	0.40		3,100	211.8	20.0	56	•	•		•		
RDD1751B4-5		Ball	24.0~55.2		1.20	4,500	306.4	39.9	66	•	•		•	
RDH1751B4-5	24.0~55.2		0.75		4,000	272.6	31.5	64	•	•		•		
RDM1751B4-5	24.0~55.2		0.60		3,800	260.7	29.0	62	•	•		•		
RDL1751B4-5	24.0~55.2		0.50		3,400	231.9	23.3	59	•	•		•		
RDX1751B4-5	24.0~55.2		0.40		3,100	211.8	20.0	56	•	•		•		

Notes: © All readings are typical values at rated voltage.
© Specifications are subjected to change without prior notice.

Ø 225x99mm



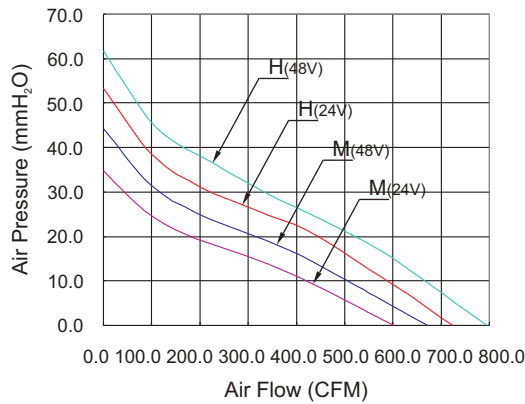
General Specification:

- Impeller : PA6 UL 94V-0 Reinforced Plastic
- Lead Wires : UL Type
(+) : Red (-) : Black
- Operation Temperature : -10°C ~ 70°C、
35% ~ 85%RH
- Storage Temperature : -40°C ~ 80°C、
35% ~ 85%RH

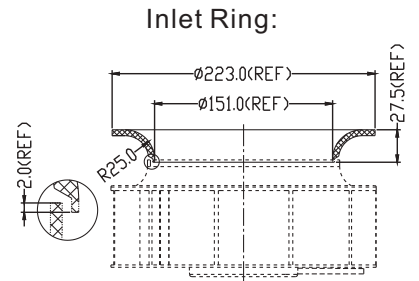
Motor Protection:

- Impedance Protected
- Reverse Polarity Protected

Performance Curves

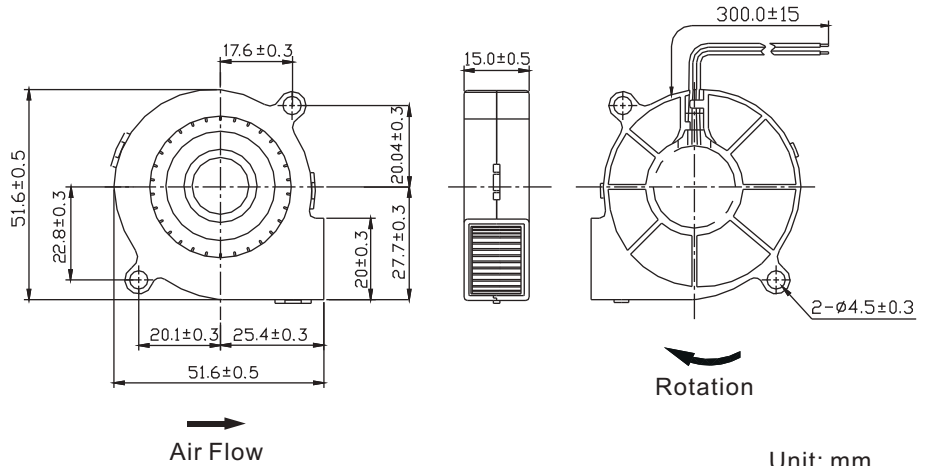
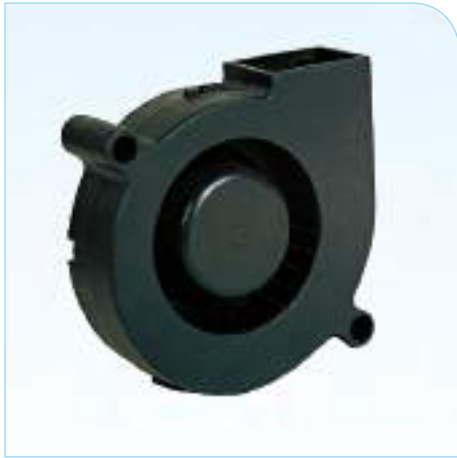


Mounting Panel Cutout



Listed Model	Bearing System	Rated Voltage	Operation Voltage	Rated Current	Rated Speed	Air Flow	Air Pressure	Noise Level	Available Features (Optional)				Weight
		VDC	VDC	A	RPM	CFM	mmH ₂ O	dBA	Tachometer Output	Rotation Detector	Thermal Control	Pulse Width Modulation	g
RFH22599B2	Ball	24	15.0~27.6	4.00	2,500	724.2	53.4	70	•	•	•	•	1400
RFM22599B2			15.0~27.6	2.50	2,100	601.6	34.7	66	•	•	•	•	
RFH22599B4	Ball	48	28.0~58.0	2.50	2,700	795.5	62.0	72	•	•	•	•	
RFM22599B4			28.0~58.0	1.60	2,300	672.9	44.3	68	•	•	•	•	

51x51x15mm (Blower)



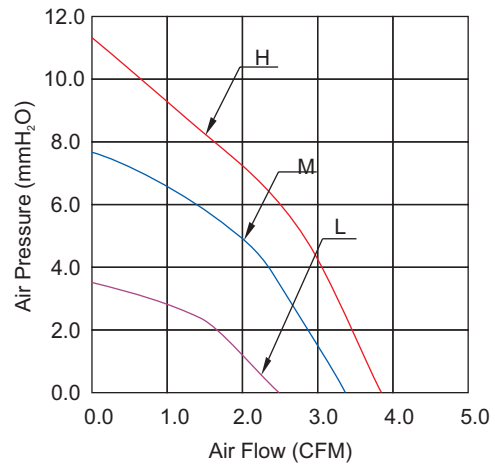
General Specification:

- Frame and Impeller : Thermal Plastic , UL 94V-0
- Lead Wires : UL Type
(+) : Red (-) : Black
- Operation Temperature : -10°C ~ 70°C、
35% ~ 85%RH
- Storage Temperature : -40°C ~ 80°C、
35% ~ 85%RH

Motor Protection:

- Impedance Protected
- Reverse Polarity Protected

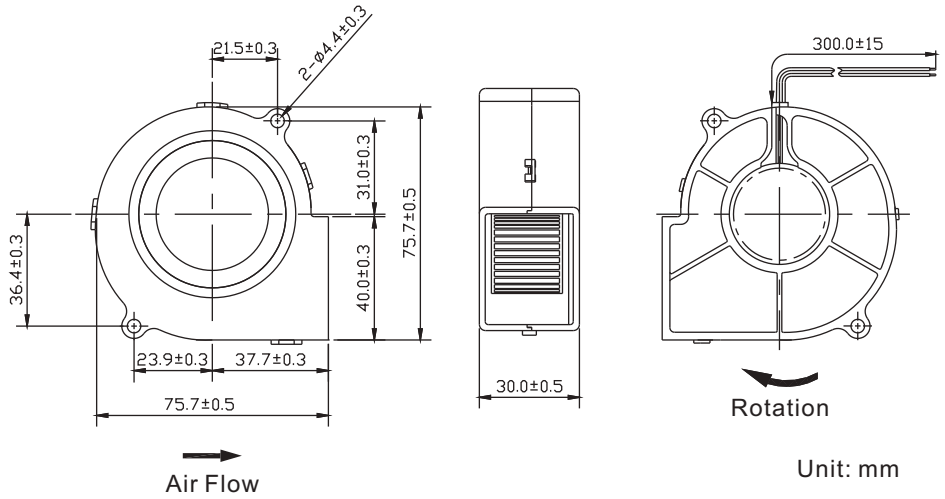
Performance Curves



Listed Model	Bearing System	Rated Voltage	Operation Voltage	Rated Current	Rated Speed	Air Flow	Air Pressure	Noise Level	Available Features (Optional)				Weight
		VDC	VDC	A	RPM	CFM	mmH ₂ O	dBA	Tachometer Output	Rotation Detector	Thermal Control	Pulse Width Modulation	g
RBH5015S5	Sleeve	5	3.5~5.75	0.33	4,500	3.8	11.3	37	•	•			26
RBM5015S5			3.5~5.75	0.22	4,000	3.4	7.4	35	•	•			
RBL5015S5			3.5~5.75	0.13	3,000	2.4	3.5	26	•	•			
RBH5015B5	Ball		3.5~5.75	0.33	4,500	3.8	11.3	37	•	•			
RBM5015B5			3.5~5.75	0.22	4,000	3.4	7.4	35	•	•			
RBL5015B5			3.5~5.75	0.13	3,000	2.4	3.5	26	•	•			
RBH5015S	Sleeve	12	6.0~13.8	0.14	5,000	4.4	11.5	41	•	•			
RBM5015S			6.0~13.8	0.09	4,000	3.4	7.4	35	•	•			
RBL5015S			8.0~13.8	0.05	3,000	2.4	3.5	26	•	•			
RBH5015B	Ball		6.0~13.8	0.14	5,000	4.4	11.5	41	•	•			
RBM5015B			6.0~13.8	0.09	4,000	3.4	7.4	35	•	•			
RBL5015B			8.0~13.8	0.05	3,000	2.4	3.5	26	•	•			
RBH5015S2	Sleeve	24	12.0~27.6	0.12	5,000	4.4	11.5	41	•	•			
RBM5015S2			12.0~27.6	0.08	4,000	3.4	7.4	35	•	•			
RBL5015S2			12.0~27.6	0.05	3,500	2.9	7.3	30	•	•			
RBH5015B2	Ball		12.0~27.6	0.12	5,000	4.4	11.5	41	•	•			
RBM5015B2			12.0~27.6	0.08	4,000	3.4	7.4	35	•	•			
RBL5015B2			12.0~27.6	0.05	3,500	2.9	7.3	30	•	•			

Notes: ©All readings are typical values at rated voltage.
©Specifications are subjected to change without prior notice.

75x75x30mm (Blower)



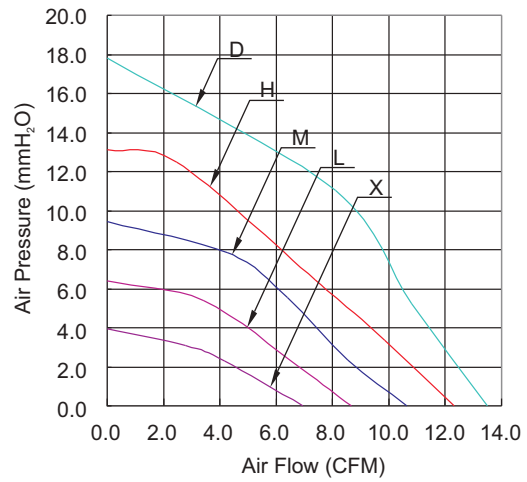
General Specification:

- Frame and Impeller : Thermal Plastic , UL 94V-0
- Lead Wires : UL Type
(+) : Red (-) : Black
- Operation Temperature : -10°C~70°C、
35%~85%RH
- Storage Temperature : -40°C~80°C、
35%~85%RH

Motor Protection:

- Impedance Protected
- Reverse Polarity Protected

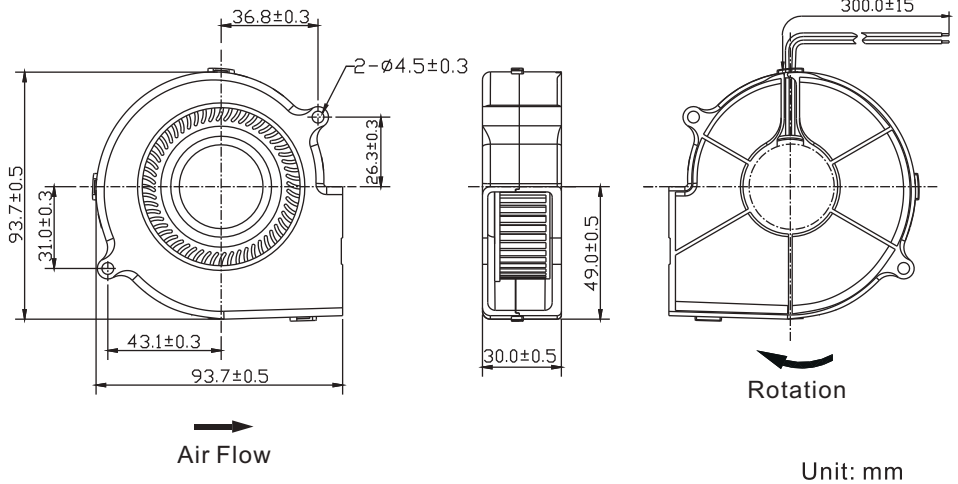
Performance Curves



Listed Model	Bearing System	Rated Voltage	Operation Voltage	Rated Current	Rated Speed	Air Flow	Air Pressure	Noise Level	Available Features (Optional)				Weight g
		VDC	VDC	A	RPM	CFM	mmH ₂ O	dBA	Tachometer Output	Rotation Detector	Thermal Control	Pulse Width Modulation	
RBD7530S1	Sleeve	12	6.0~13.8	0.50	3,800	13.5	17.7	45	•	•			87
RBH7530S1			6.0~13.8	0.45	3,500	12.3	13.1	43	•	•			
RBM7530S1			6.0~13.8	0.27	3,000	10.6	9.4	38	•	•			
RBL7530S1			6.0~13.8	0.18	2,500	8.6	6.4	36	•	•			
RBX7530S1			6.0~13.8	0.13	2,000	6.9	3.9	28	•	•			
RBD7530B1	Ball		6.0~13.8	0.50	3,800	13.5	17.7	45	•	•			
RBH7530B1			6.0~13.8	0.45	3,500	12.3	13.1	43	•	•			
RBM7530B1			6.0~13.8	0.27	3,000	10.6	9.4	38	•	•			
RBL7530B1			6.0~13.8	0.18	2,500	8.6	6.4	36	•	•			
RBX7530B1			6.0~13.8	0.13	2,000	6.9	3.9	28	•	•			
RBD7530S2	Sleeve	24	12.0~27.6	0.30	3,800	13.5	17.7	45	•	•			
RBH7530S2			12.0~27.6	0.24	3,500	12.3	13.1	43	•	•			
RBM7530S2			12.0~27.6	0.18	3,000	10.6	9.4	38	•	•			
RBL7530S2			12.0~27.6	0.12	2,500	8.6	6.4	36	•	•			
RBX7530S2			12.0~27.6	0.09	2,000	6.9	3.9	28	•	•			
RBD7530B2	Ball		12.0~27.6	0.30	3,800	13.5	17.7	45	•	•			
RBH7530B2			12.0~27.6	0.24	3,500	12.3	13.1	43	•	•			
RBM7530B2			12.0~27.6	0.18	3,000	10.6	9.4	38	•	•			
RBL7530B2			12.0~27.6	0.12	2,500	8.6	6.4	36	•	•			
RBX7530B2			12.0~27.6	0.09	2,000	6.9	3.9	28	•	•			

Notes: ©All readings are typical values at rated voltage.
©Specifications are subjected to change without prior notice.

93x93x30mm (Blower)



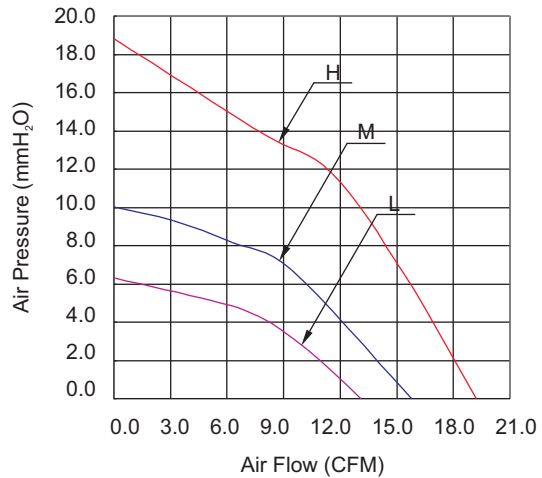
General Specification:

- Frame and Impeller : Thermal Plastic , UL 94V-0
- Lead Wires : UL Type
(+) : Red (-) : Black
- Operation Temperature : -10℃~70℃、
35%~85%RH
- Storage Temperature : -40℃~80℃、
35%~85%RH

Motor Protection:

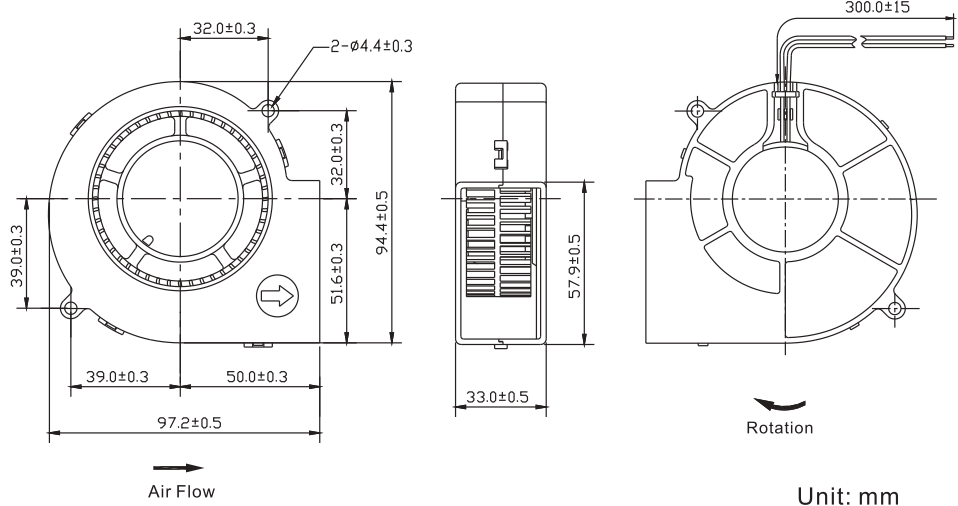
- Impedance Protected
- Reverse Polarity Protected

Performance Curves



Listed Model	Bearing System	Rated Voltage	Operation Voltage	Rated Current	Rated Speed	Air Flow	Air Pressure	Noise Level	Available Features (Optional)				Weight
		VDC	VDC	A	RPM	CFM	mmH ₂ O	dBA	Tachometer Output	Rotation Detector	Thermal Control	Pulse Width Modulation	g
RBH9330S1	Sleeve	12	6.0~13.8	0.45	3,000	19.2	18.8	45	•	•		•	155
RBM9330S1			6.0~13.8	0.30	2,500	15.8	10.0	42	•	•		•	
RBL9330S1			6.0~13.8	0.20	2,100	13.0	6.3	38	•	•		•	
RBH9330B1	Ball		6.0~13.8	0.45	3,000	19.2	18.8	45	•	•		•	
RBM9330B1			6.0~13.8	0.30	2,500	15.8	10.0	42	•	•		•	
RBL9330B1			6.0~13.8	0.20	2,100	13.0	6.3	38	•	•		•	
RBH9330S2	Sleeve	24	12.0~27.6	0.35	3,000	19.2	18.8	45	•	•			155
RBM9330S2			12.0~27.6	0.15	2,500	15.8	10.0	42	•	•			
RBL9330S2			12.0~27.6	0.10	2,100	13.0	6.3	38	•	•			
RBH9330B2	Ball		12.0~27.6	0.35	3,000	19.2	18.8	45	•	•			
RBM9330B2			12.0~27.6	0.15	2,500	15.8	10.0	42	•	•			
RBL9330B2			12.0~27.6	0.10	2,100	13.0	6.3	38	•	•			

97x94x33mm (Blower)



Unit: mm

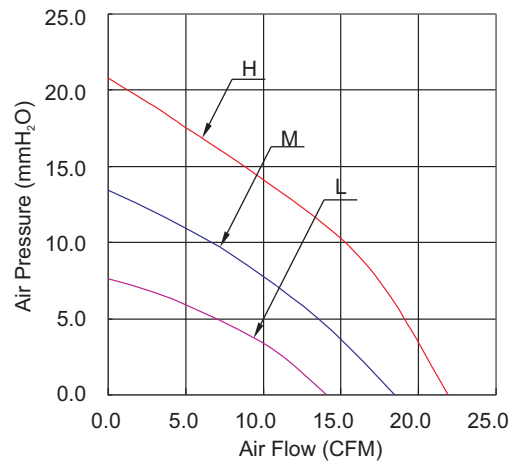
General Specification:

- Frame and Impeller : Thermal Plastic , UL 94V-0
- Lead Wires : UL Type
(+) : Red (-) : Black
- Operation Temperature : -10°C~70°C、
35%~85%RH
- Storage Temperature : -40°C~80°C、
35%~85%RH

Motor Protection:

- Impedance Protected
- Reverse Polarity Protected

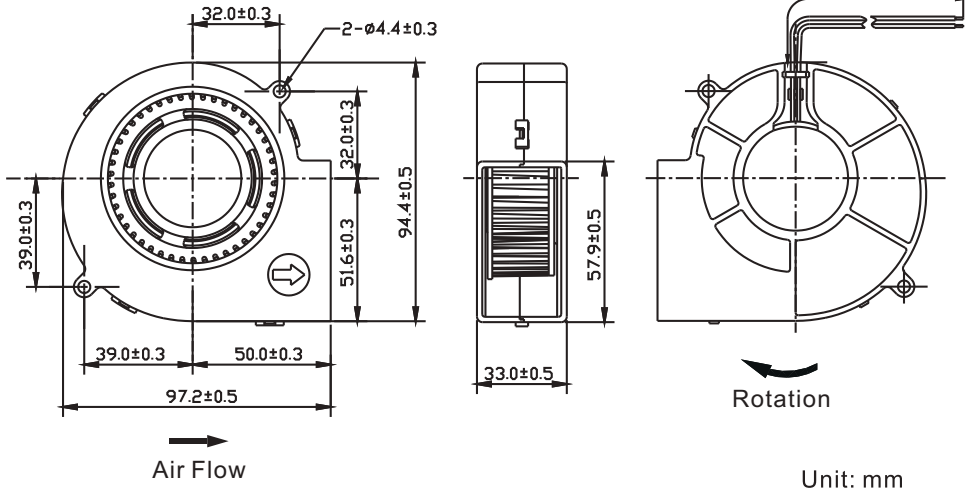
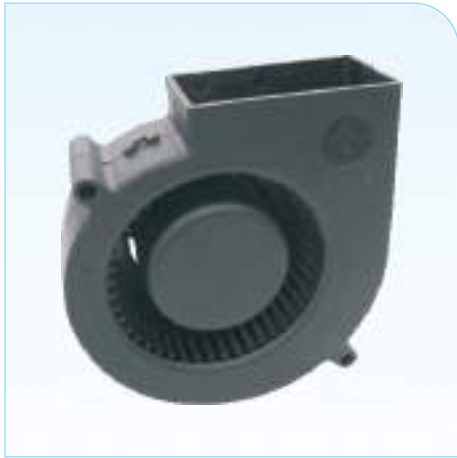
Performance Curves



Listed Model	Bearing System	Rated Voltage	Operation Voltage	Rated Current	Rated Speed	Air Flow	Air Pressure	Noise Level	Available Features (Optional)				Weight
		VDC	VDC	A	RPM	CFM	mmH ₂ O	dBA	Tachometer Output	Rotation Detector	Thermal Control	Pulse Width Modulation	g
RBH9733S	Sleeve	12	6.0~13.8	0.80	3,300	21.9	20.8	50	•	•	•	•	165
RBM9733S			6.0~13.8	0.50	2,800	18.4	13.5	45	•	•	•	•	
RBL9733S			6.0~13.8	0.30	2,200	14.0	7.6	40	•	•	•	•	
RBH9733B	Ball		6.0~13.8	0.80	3,300	21.9	20.8	50	•	•	•	•	
RBM9733B			6.0~13.8	0.50	2,800	18.4	13.5	45	•	•	•	•	
RBL9733B			6.0~13.8	0.30	2,200	14.0	7.6	40	•	•	•	•	
RBH9733S2	Sleeve	24	12.0~27.6	0.55	3,300	21.9	20.8	50	•	•			
RBM9733S2			12.0~27.6	0.35	2,800	18.4	13.5	45	•	•			
RBL9733S2			12.0~27.6	0.20	2,200	14.0	7.6	40	•	•			
RBH9733B2	Ball		12.0~27.6	0.55	3,300	21.9	20.8	50	•	•			
RBM9733B2			12.0~27.6	0.35	2,800	18.4	13.5	45	•	•			
RBL9733B2			12.0~27.6	0.20	2,200	14.0	7.6	40	•	•			
RBH9733S4	Sleeve	48	24.0~55.2	0.30	3,300	21.9	20.8	50	•	•			
RBM9733S4			24.0~55.2	0.20	2,800	18.4	13.5	45	•	•			
RBL9733S4			24.0~55.2	0.15	2,200	14.0	7.6	40	•	•			
RBH9733B4	Ball		24.0~55.2	0.30	3,300	21.9	20.8	50	•	•			
RBM9733B4			24.0~55.2	0.20	2,800	18.4	13.5	45	•	•			
RBL9733B4			24.0~55.2	0.15	2,200	14.0	7.6	40	•	•			

Notes: ©All readings are typical values at rated voltage.
©Specifications are subjected to change without prior notice.

97x94x33mm (Blower)



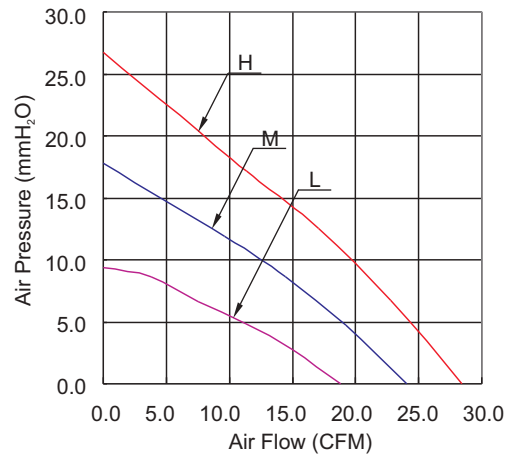
General Specification:

- Frame and Impeller : Thermal Plastic , UL 94V-0
- Lead Wires : UL Type
(+) : Red (-) : Black
- Operation Temperature : -10°C~70°C、
35%~85%RH
- Storage Temperature : -40°C~80°C、
35%~85%RH

Motor Protection:

- Impedance Protected
- Reverse Polarity Protected

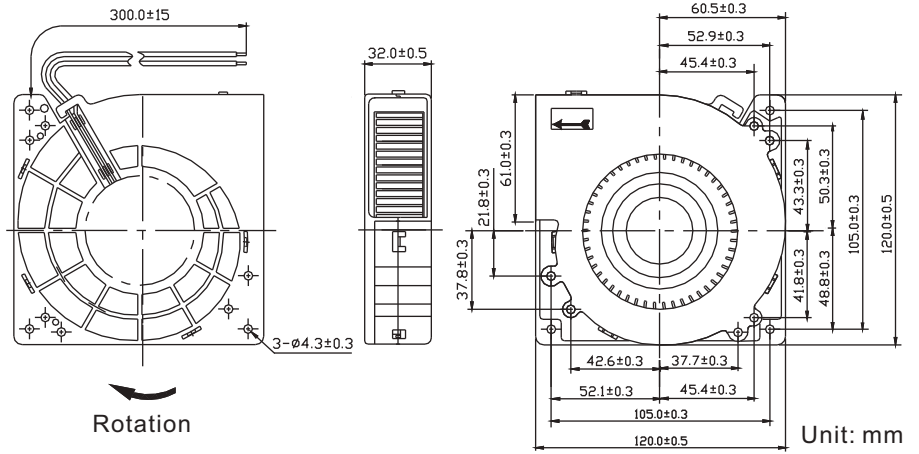
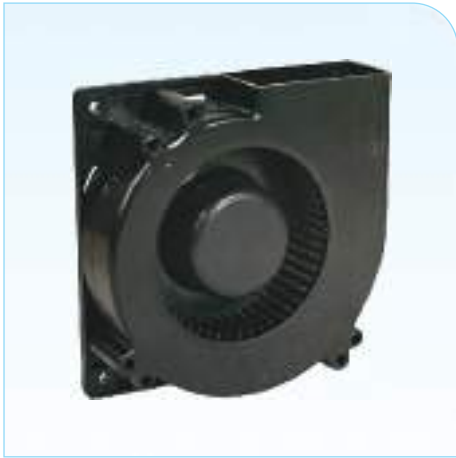
Performance Curves



Listed Model	Bearing System	Rated Voltage	Operation Voltage	Rated Current	Rated Speed	Air Flow	Air Pressure	Noise Level	Available Features (Optional)				Weight
		VDC	VDC	A	RPM	CFM	mmH ₂ O	dBA	Tachometer Output	Rotation Detector	Thermal Control	Pulse Width Modulation	g
RBH9733S	Sleeve	12	6.0~13.8	0.80	3,300	28.5	26.8	55	•	•	•	•	180
RBM9733S			6.0~13.8	0.50	2,800	24.0	17.8	51	•	•	•	•	
RBL9733S			6.0~13.8	0.30	2,200	18.8	9.4	45	•	•	•	•	
RBH9733B	Ball		6.0~13.8	0.80	3,300	28.5	26.8	55	•	•	•	•	
RBM9733B			6.0~13.8	0.50	2,800	24.0	17.8	51	•	•	•	•	
RBL9733B			6.0~13.8	0.30	2,200	18.8	9.4	45	•	•	•	•	
RBH9733S2	Sleeve	24	12.0~27.6	0.55	3,300	28.5	26.8	55	•	•			
RBM9733S2			12.0~27.6	0.35	2,800	24.0	17.8	51	•	•			
RBL9733S2			12.0~27.6	0.20	2,200	18.8	9.4	45	•	•			
RBH9733B2	Ball		12.0~27.6	0.55	3,300	28.5	26.8	55	•	•			
RBM9733B2			12.0~27.6	0.35	2,800	24.0	17.8	51	•	•			
RBL9733B2			12.0~27.6	0.20	2,200	18.8	9.4	45	•	•			
RBH9733S4	Sleeve	48	24.0~55.2	0.30	3,300	28.5	26.8	55	•	•			
RBM9733S4			24.0~55.2	0.20	2,800	24.0	17.8	51	•	•			
RBL9733S4			24.0~55.2	0.15	2,200	18.8	9.4	45	•	•			
RBH9733B4	Ball		24.0~55.2	0.30	3,300	28.5	26.8	55	•	•			
RBM9733B4			24.0~55.2	0.20	2,800	24.0	17.8	51	•	•			
RBL9733B4			24.0~55.2	0.15	2,200	18.8	9.4	45	•	•			

Notes: ©All readings are typical values at rated voltage.
©Specifications subjected to change without prior notice.

120x120x32mm (Blower)



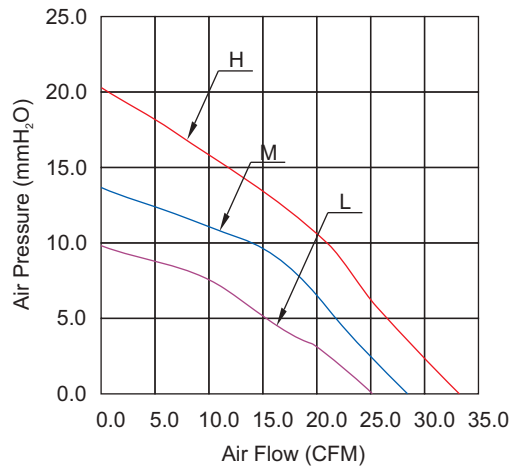
General Specification:

- Frame and Impeller : Thermal Plastic , UL 94V-0
- Lead Wires : UL Type
(+) : Red (-) : Black
- Operation Temperature : -10°C ~ 70°C ,
35% ~ 85%RH
- Storage Temperature : -40°C ~ 80°C ,
35% ~ 85%RH

Motor Protection:

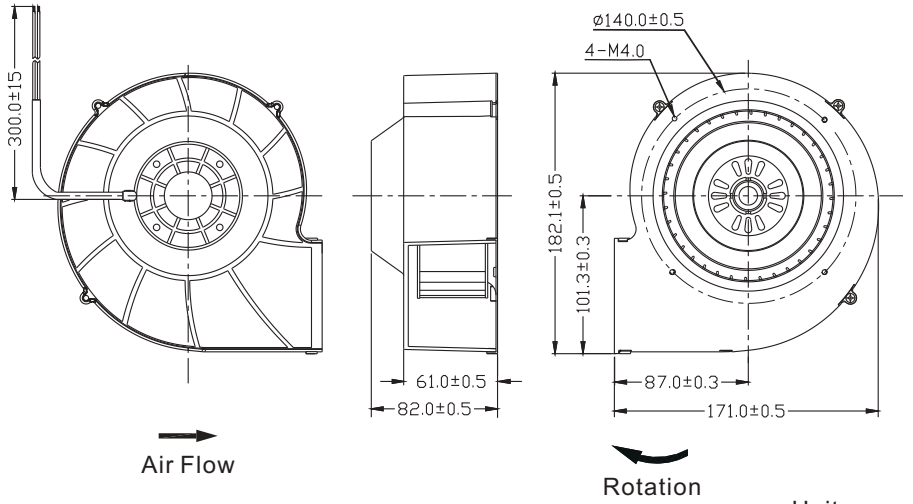
- Impedance Protected
- Reverse Polarity Protected

Performance Curves



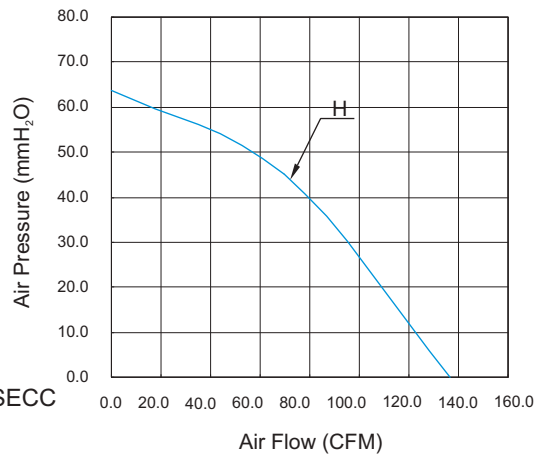
Listed Model	Bearing System	Rated Voltage	Operation Voltage	Rated Current	Rated Speed	Air Flow	Air Pressure	Noise Level	Available Features (Optional)				Weight
		VDC	VDC	A	RPM	CFM	mmH ₂ O	dBA	Tachometer Output	Rotation Detector	Thermal Control	Pulse Width Modulation	g
RBH1232B	Ball	12	6.0~13.8	0.87	2,100	33.1	20.1	51	•	•			240
RBM1232B			6.0~13.8	0.60	1,800	28.2	13.3	47	•	•			
RBL1232B			6.0~13.8	0.49	1,600	25.0	9.6	45	•	•			
RBH1232B2		24	12.0~27.6	0.50	2,100	33.1	20.1	51	•	•			
RBM1232B2			12.0~27.6	0.35	1,800	28.2	13.3	47	•	•			
RBL1232B2			12.0~27.6	0.28	1,600	25.0	9.6	45	•	•			
RBH1232B4		48	24.0~55.2	0.30	2,100	33.1	20.1	51	•	•			
RBM1232B4			24.0~55.2	0.20	1,800	28.2	13.3	47	•	•			
RBL1232B4			24.0~55.2	0.15	1,600	25.0	9.6	45	•	•			

182x171x82mm



Unit: mm

Performance Curves



Frame : SECC

General Specification:

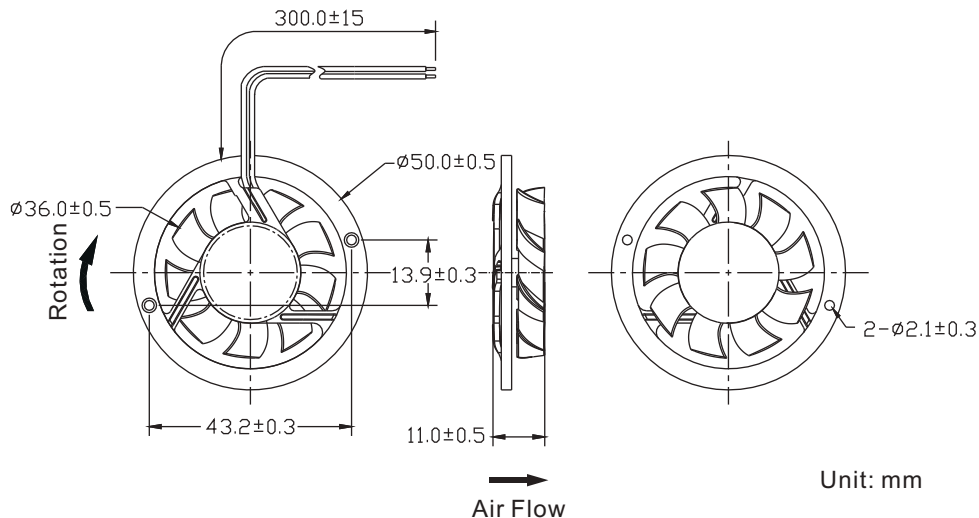
- Frame and Impeller : Thermal Plastic , UL 94V-0
- Lead Wires : UL Type
(+) : Red (-) : Black
- Operation Temperature : -10°C~70°C、
35%~85%RH
- Storage Temperature : -40°C~80°C、
35%~85%RH

Motor Protection:

- Impedance Protected
- Reverse Polarity Protected

Listed Model	Bearing System	Rated Voltage	Operation Voltage	Rated Current	Rated Speed	Air Flow	Air Pressure	Noise Level	Available Features (Optional)				Weight
		VDC	VDC	A	RPM	CFM	mmH ₂ O	dBA	Tachometer Output	Rotation Detector	Thermal Control	Pulse Width Modulation	g
RBH1881B2	Ball	24	12.0~27.6	2.2	2,000	136.8	63.8	63	•	•	•	•	1150
RBH1881B4		48	24.0~55.2	1.1	2,000	136.8	63.8	63	•	•	•	•	

RS3610



General Specification:

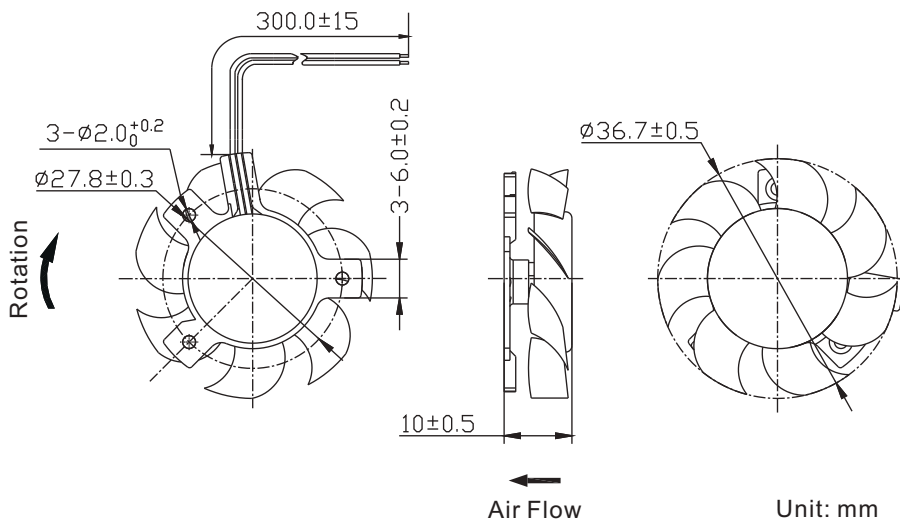
- Frame and Impeller : Thermal Plastic , UL 94V-0
- Lead Wires : UL Type
(+) : Red (-) : Black
- Operation Temperature : -10°C~70°C、
35%~85%RH
- Storage Temperature : -40°C~80°C、
35%~85%RH

Motor Protection:

- Impedance Protected
- Reverse Polarity Protected

Listed Model	Bearing System	Rated Voltage	Operation Voltage	Rated Current	Rated Speed	Air Flow	Air Pressure	Noise Level	Available Features (Optional)				Weight
		VDC	VDC	A	RPM	CFM	mmH ₂ O	dBA	Tachometer Output	Rotation Detector	Thermal Control	Pulse Width Modulation	g
RSH3610S1	Sleeve	12	8.0~13.8	0.12	7,000	---	---	31	•	•			12
RSM3610S1			8.0~13.8	0.10	6,000	---	---	27	•	•			
RSL3610S1			8.0~13.8	0.08	5,000	---	---	24	•	•			

RS4010



General Specification:

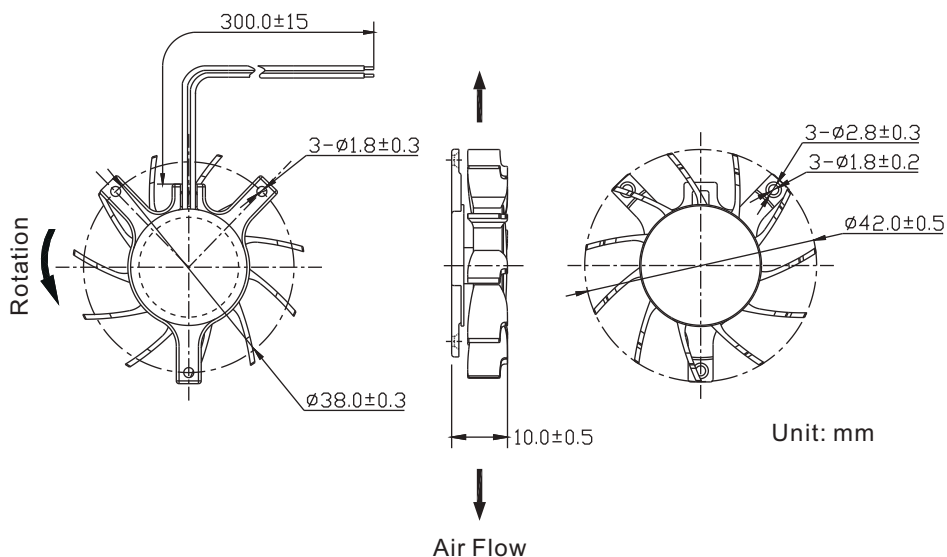
- Frame and Impeller : Thermal Plastic , UL 94V-0
- Lead Wires : UL Type
(+) : Red (-) : Black
- Operation Temperature : -10°C~70°C、
35%~85%RH
- Storage Temperature : -40°C~80°C、
35%~85%RH

Motor Protection:

- Impedance Protected
- Reverse Polarity Protected

Listed Model	Bearing System	Rated Voltage	Operation Voltage	Rated Current	Rated Speed	Air Flow	Air Pressure	Noise Level	Available Features (Optional)				Weight
		VDC	VDC	A	RPM	CFM	mmH ₂ O	dBA	Tachometer Output	Rotation Detector	Thermal Control	Pulse Width Modulation	g
RSH4010S	Sleeve	12	6.0~13.8	0.09	7,000	---	---	29	•	•			9
RSM4010S			6.0~13.8	0.07	6,000	---	---	25	•	•			
RSL4010S			7.0~13.8	0.06	5,000	---	---	21	•	•			
RSH4010B	Ball		6.0~13.8	0.09	7,000	---	---	29	•	•			
RSM4010B			6.0~13.8	0.07	6,000	---	---	25	•	•			
RSL4010B			7.0~13.8	0.06	5,000	---	---	21	•	•			

RS4210



General Specification:

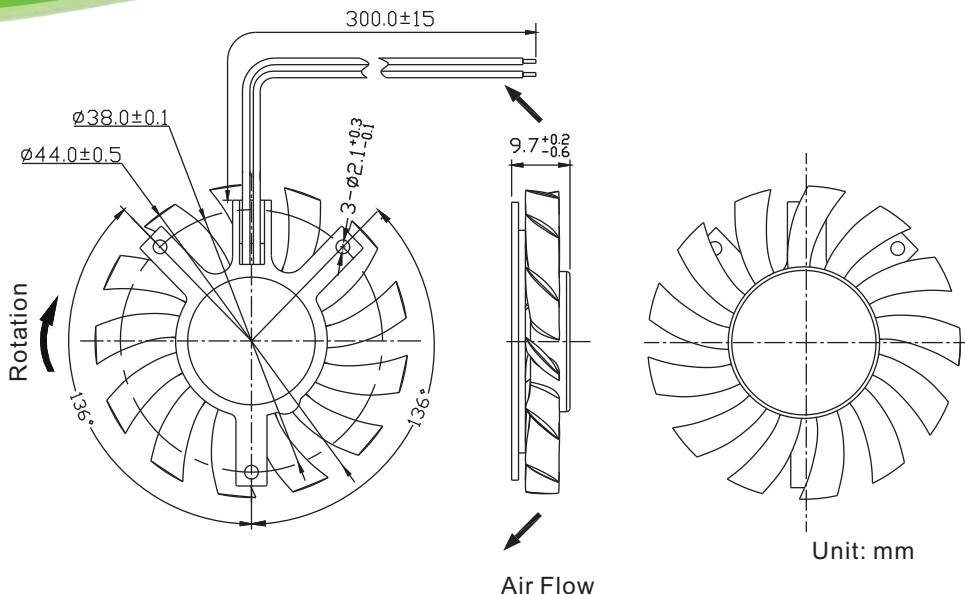
- Frame and Impeller : Thermal Plastic , UL 94V-0
- Lead Wires : UL Type
(+) : Red (-) : Black
- Operation Temperature : -10°C~70°C、
35%~85%RH
- Storage Temperature : -40°C~80°C、
35%~85%RH

Motor Protection:

- Impedance Protected
- Reverse Polarity Protected

Listed Model	Bearing System	Rated Voltage	Operation Voltage	Rated Current	Rated Speed	Air Flow	Air Pressure	Noise Level	Available Features (Optional)				Weight
		VDC	VDC	A	RPM	CFM	mmH ₂ O	dBA	Tachometer Output	Rotation Detector	Thermal Control	Pulse Width Modulation	g
RSH4210B1	Ball	12	8.0~13.8	0.17	4,000	---	---	27	•	•			9
RSM4210B1			8.0~13.8	0.08	3,000	---	---	21	•	•			

RS4510



General Specification:

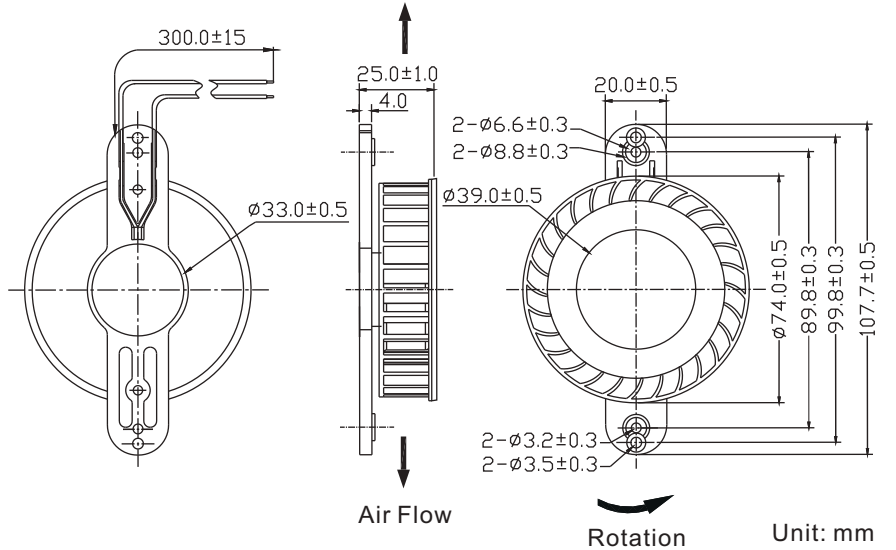
- Frame and Impeller : Thermal Plastic , UL 94V-0
- Lead Wires : UL Type
(+) : Red (-) : Black
- Operation Temperature : -10°C~70°C、
35%~85%RH
- Storage Temperature : -40°C~80°C、
35%~85%RH

Motor Protection:

- Impedance Protected
- Reverse Polarity Protected

Listed Model	Bearing System	Rated Voltage	Operation Voltage	Rated Current	Rated Speed	Air Flow	Air Pressure	Noise Level	Available Features (Optional)				Weight
		VDC	VDC	A	RPM	CFM	mmH ₂ O	dBA	Tachometer Output	Rotation Detector	Thermal Control	Pulse Width Modulation	g
RSH4510S1	Sleeve	12	6.0~13.8	0.20	6,000	---	---	37	•	•			8.5
RSM4510S1			6.0~13.8	0.13	5,000	---	---	33	•	•			
RSL4510S1			6.0~13.8	0.10	4,000	---	---	27	•	•			
RSH4510B1	Ball		6.0~13.8	0.20	6,000	---	---	37	•	•			
RSM4510B1			6.0~13.8	0.13	5,000	---	---	33	•	•			
RSL4510B1			6.0~13.8	0.10	4,000	---	---	27	•	•			

RD9025 BGF



General Specification:

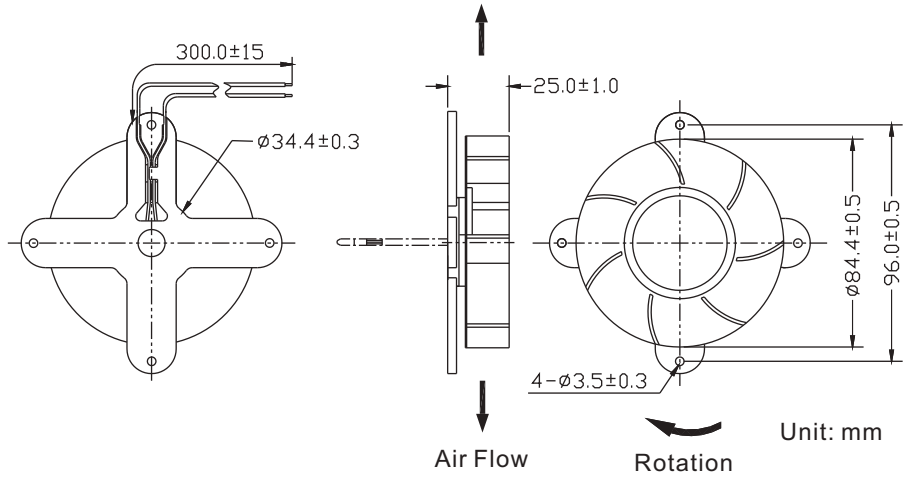
- Frame and Impeller : Thermal Plastic , UL 94V-0
- Lead Wires : UL Type
(+) : Red (-) : Black
- Operation Temperature : -10°C~70°C、
35%~85%RH
- Storage Temperature : -40°C~80°C、
35%~85%RH

Motor Protection:

- Impedance Protected
- Reverse Polarity Protected

Listed Model	Bearing System	Rated Voltage	Operation Voltage	Rated Current	Rated Speed	Air Flow	Air Pressure	Noise Level	Available Features (Optional)				Weight
		VDC	VDC	A	RPM	CFM	mmH ₂ O	dBA	Tachometer Output	Rotation Detector	Thermal Control	Pulse Width Modulation	g
RDH9025S BGF	Sleeve	12	6.0~13.8	0.35	3,500	---	---	41	•	•			70
RDM9025S BGF			6.0~13.8	0.25	2,500	---	---	32	•	•			
RDL9025S BGF			6.0~13.8	0.20	2,100	---	---	27	•	•			

RD9025 BPT/APT



General Specification:

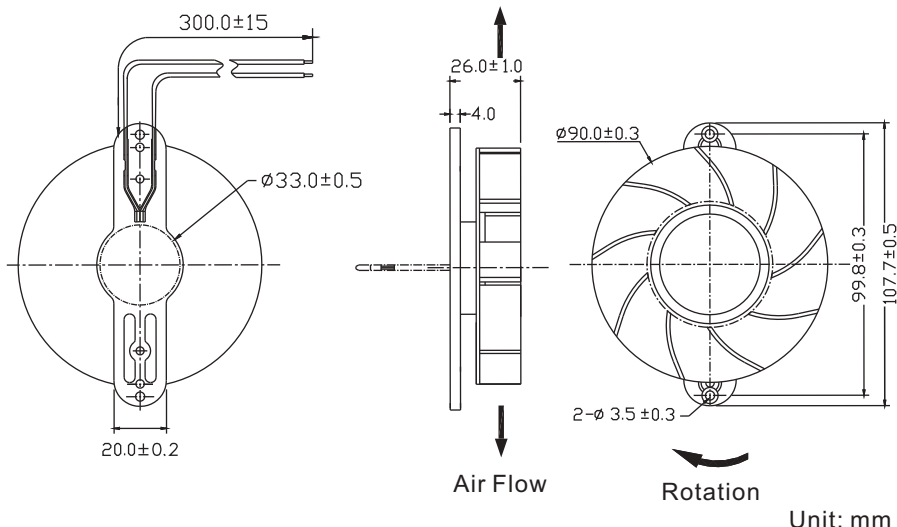
- Frame and Impeller : Thermal Plastic , UL 94V-0
- Lead Wires : UL Type
(+) : Red (-) : Black
- Operation Temperature : -10°C~70°C、
35%~85%RH
- Storage Temperature : -40°C~80°C、
35%~85%RH

Motor Protection:

- Impedance Protected
- Reverse Polarity Protected

Listed Model	Bearing System	Rated Voltage	Operation Voltage	Rated Current	Rated Speed	Air Flow	Air Pressure	Noise Level	Available Features (Optional)				Weight g
		VDC	VDC	A	RPM	CFM	mmH ₂ O	dBA	Tachometer Output	Rotation Detector	Thermal Control	Pulse Width Modulation	
RDH9025S BPT	Sleeve	12	6.0~13.8	0.35	2,500	---	---	35	•	•			75
RDM9025S BPT			6.0~13.8	0.25	2,100	---	---	30	•	•			
RDL9025S BPT			6.0~13.8	0.20	1,800	---	---	27	•	•			
RDH9025S APT			6.0~13.8	0.35	2,500	---	---	35	•	•			
RDM9025S APT			6.0~13.8	0.25	2,100	---	---	30	•	•			
RDL9025S APT			6.0~13.8	0.20	1,800	---	---	27	•	•			

RD9025 APF/BPF



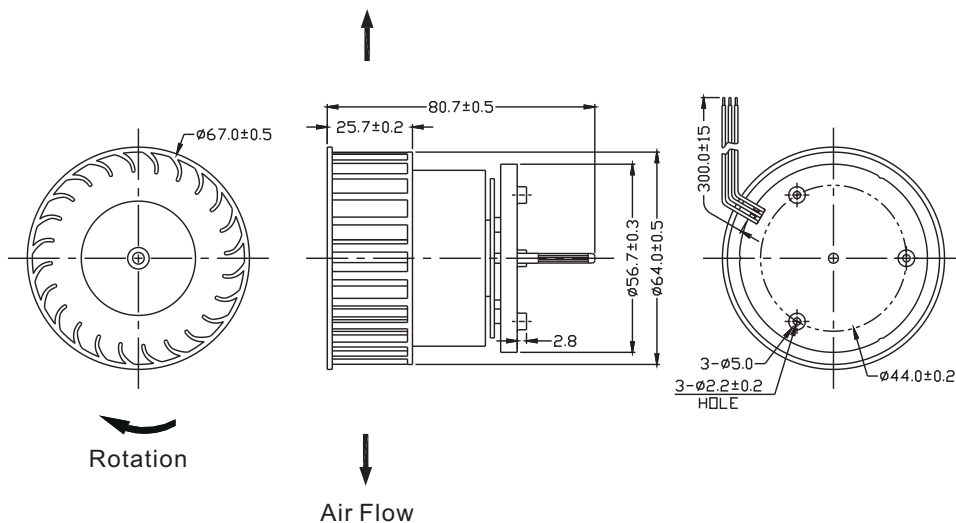
General Specification:

- Frame and Impeller : Thermal Plastic , UL 94V-0
- Lead Wires : UL Type
(+) : Red (-) : Black
- Operation Temperature : -10°C~70°C、
35%~85%RH
- Storage Temperature : -40°C~80°C、
35%~85%RH

Motor Protection:

- Impedance Protected
- Reverse Polarity Protected

Listed Model	Bearing System	Rated Voltage	Operation Voltage	Rated Current	Rated Speed	Air Flow	Air Pressure	Noise Level	Available Features (Optional)				Weight
		VDC	VDC	A	RPM	CFM	mmH ₂ O	dBA	Tachometer Output	Rotation Detector	Thermal Control	Pulse Width Modulation	g
RDH9025S APF	Sleeve	12	6.0~13.8	0.35	2,500	---	---	38	•	•			82
RDM9025S APF			6.0~13.8	0.25	2,100	---	---	31	•	•			
RDL9025S APF			6.0~13.8	0.20	1,800	---	---	27	•	•			
RDH9025S BPF			6.0~13.8	0.35	2,500	---	---	38	•	•			
RDM9025S BPF			6.0~13.8	0.25	2,100	---	---	31	•	•			
RDL9025S BPF			6.0~13.8	0.20	1,800	---	---	27	•	•			



Unit: mm

General Specification:

- Frame and Impeller : Thermal Plastic , UL 94V-0
- Lead Wires : UL Type
(+) : Red (-) : Black
- Operation Temperature : $-10^{\circ}\text{C} \sim 70^{\circ}\text{C}$ 、
 $35\% \sim 85\% \text{RH}$
- Storage Temperature : $-40^{\circ}\text{C} \sim 80^{\circ}\text{C}$ 、
 $35\% \sim 85\% \text{RH}$

Motor Protection:

- Impedance Protected
- Reverse Polarity Protected

Listed Model	Bearing System	Rated Voltage	Operation Voltage	Rated Current	Rated Speed	Air Flow	Air Pressure	Noise Level	Available Features (Optional)				Weight
		VDC	VDC	A	RPM	CFM	mmH ₂ O	dBA	Tachometer Output	Rotation Detector	Thermal Control	Pulse Width Modulation	g
RSH1262S	Sleeve	12	6.0~13.8	0.50	3,600	---	---	43	•	•			185
RSM1262S			6.0~13.8	0.30	3,000	---	---	39	•	•			
RSL1262S			6.0~13.8	0.25	2,500	---	---	34	•	•			

High Performance Fan

Photo	Frame Size	Listed Model	Bearing System	Rated Voltage	Operation Voltage	Rated Current	Rated Speed	Air Flow	Air Pressure	Noise Level	Available Features (Optional)				Weight
				VDC	VDC	A	RPM	CFM	mmH ₂ O	dBa	Tachometer Output	Rotation Detector	Thermal Control	Pulse Width Modulation	g
	60x60x25	RDV6025B1	Ball	12	6.0~13.8	0.80	9,000	46.9	19.7	53	•	•	•	62	
		RDV6025B2		24	12.0~27.6	0.45	9,000	46.9	19.7	53	•	•	•		
		RDV6025B4		48	24.0~55.2	0.20	9,000	46.9	19.7	53	•	•	•		
	70x70x25	RDD7025B1	Ball	12	6.0~13.8	0.80	7,500	59.8	15.0	54	•	•	•	65	
		RDD7025B2		24	12.0~27.6	0.45	7,500	59.8	15.0	54	•	•	•		
		RDD7025B4		48	24.0~55.2	0.20	7,500	59.8	15.0	54	•	•	•		
	80x80x25	RDV8025B1	Ball	12	6.0~13.8	0.80	5,500	66.4	11.5	51	•	•	•	76	
		RDD8025B2		24	12.0~27.6	0.45	5,500	66.4	11.5	51	•	•	•		
		RDH8025B4		48	24.0~55.2	0.20	5,000	59.4	9.0	48	•	•	•		
	80x80x25	RDV8025B1	Ball	12	6.0~13.8	0.80	5,500	72.6	11.2	49	•	•	•	76	
		RDD8025B2		24	12.0~27.6	0.45	5,500	72.6	11.2	49	•	•	•		
		RDH8025B4		48	24.0~55.2	0.20	5,000	65.8	9.6	47	•	•	•		
	90x90x25	RDD9025B1	Ball	12	6.0~13.8	0.80	4,500	94.4	8.8	50	•	•	•	85	
		RDD9025B2		24	12.0~27.6	0.45	4,500	94.4	8.8	50	•	•	•		
		RDD9025B4		48	24.0~55.2	0.20	4,000	83.8	7.2	45	•	•	•		
	120x120x25	RDD1225B1	Ball	12	6.0~13.8	1.00	3,500	141.1	7.3	50	•	•	•	164	
		RDD1225B2		24	12.0~27.6	0.50	3,000	116.8	5.0	45	•	•	•		
		RDD1225B4		48	24.0~55.2	0.25	3,000	116.8	5.0	45	•	•	•		
	120x120x32	RDD1232B1	Ball	12	6.0~13.8	2.60	6,500	210.0	33.0	64	•	•	•	250	
		RDD1232B2		24	12.0~27.6	1.80	7,000	224.4	34.0	68	•	•	•		
		RDV1232B4		48	24.0~55.2	0.90	7,000	224.4	34.0	68	•	•	•		
	120x120x38	RDD1238B1	Ball	12	6.0~13.8	2.80	5,500	228.4	25.3	61	•	•	•	290	
		RDD1238B2		24	12.0~27.6	1.80	6,000	249.0	32.2	64	•	•	•		
		RDD1238B4		48	24.0~55.2	1.00	6,000	249.0	32.2	64	•	•	•		

Notes: ©All readings are typical values at rated voltage.
©Specifications are subjected to change without prior notice.

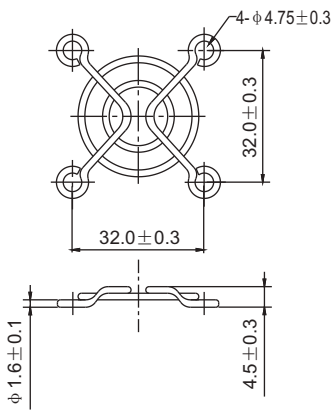
High Performance Fan

Photo	Frame Size	Listed Model	Bearing System	Rated Voltage	Operation Voltage	Rated Current	Rated Speed	Air Flow	Air Pressure	Noise Level	Available Features (Optional)				Weight
				VDC	VDC	A	RPM	CFM	mmH ₂ O	dBA	Tachometer Output	Rotation Detector	Thermal Control	Pulse Width Modulation	g
	Φ151x55	RDV1555B2-3	Ball	24	15.0~27.6	2.80	5,000	353.6	40.4	70	•	•	•	740	
		RDV1555B4-3		48	24.0~55.2	1.40	5,000	353.6	40.4	70	•	•	•		
	Φ151x55	RDV1555B2-5	Ball	24	15.0~27.6	2.80	5,000	345.4	54.8	69	•	•	•	765	
		RDV1555B4-5		48	24.0~55.2	1.40	5,000	345.4	54.8	69	•	•	•		
	Φ172x51	RDV1725B2-3	Ball	24	15.0~27.6	2.80	5,000	349.5	45.2	68	•	•	•	800	
		RDV1725B4-3		48	24.0~55.2	1.40	5,000	349.5	45.2	68	•	•	•		
	Φ172x51	RDV1725B2-5	Ball	24	15.0~27.6	2.80	5,000	347.9	54.9	66	•	•	•	830	
		RDV1725B4-5		48	24.0~55.2	1.40	5,000	347.9	54.9	66	•	•	•		
	172x150x51	RDV1751B2-3	Ball	24	15.0~27.6	2.80	5,000	348.8	43.8	69	•	•	•	715	
		RDV1751B4-3		48	24.0~55.2	1.40	5,000	348.8	43.8	69	•	•	•		
	172x150x51	RDV1751B2-5	Ball	24	15.0~27.6	2.80	5,000	345.1	56.4	68	•	•	•	735	
		RDV1751B4-5		48	24.0~55.2	1.40	5,000	345.1	56.4	68	•	•	•		
	97x94x33	RBV9733B1	Ball	12	6.0~13.8	2.00	5,500	36.6	59.7	62	•	•	•	165	
		RBD9733B1		12	6.0~13.8	1.50	5,000	33.3	47.4	60	•	•	•		
		RBV9733B2		24	12.0~27.6	1.00	5,500	36.6	59.7	62	•	•	•		
		RBD9733B2		24	12.0~27.6	1.00	5,000	33.3	47.4	60	•	•	•		
		RBV9733B4		48	24.0~55.2	1.00	5,500	36.6	59.7	62	•	•	•		
		RBD9733B4		48	24.0~55.2	0.40	5,000	33.3	47.4	60	•	•	•		

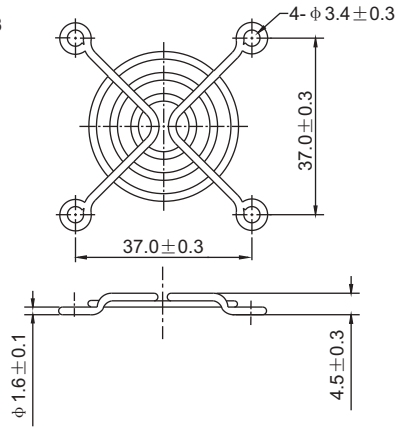
Metallic Finger Guard

Unit: mm

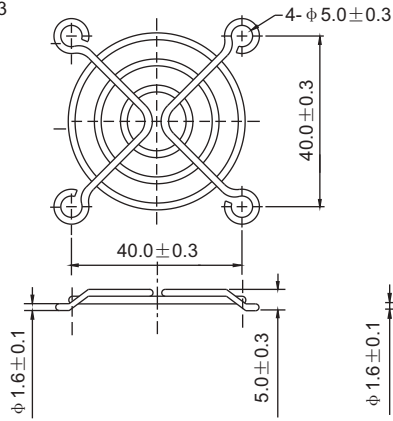
MGM4040



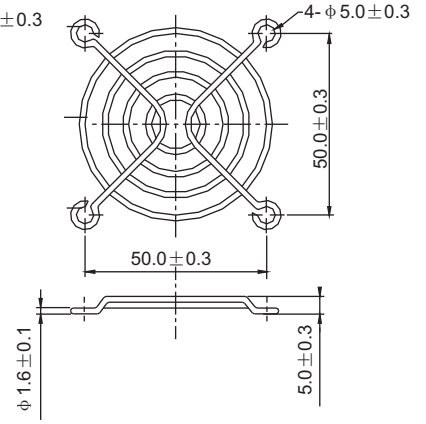
MGM4545



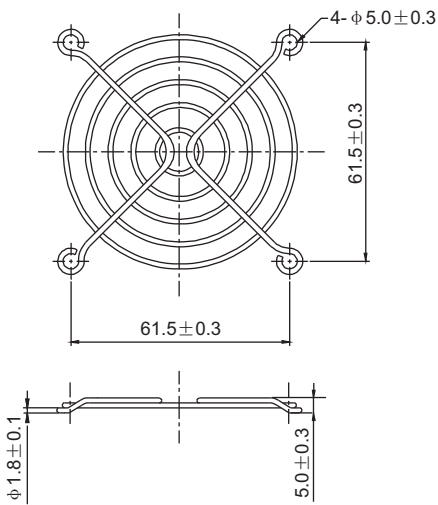
MGM5050



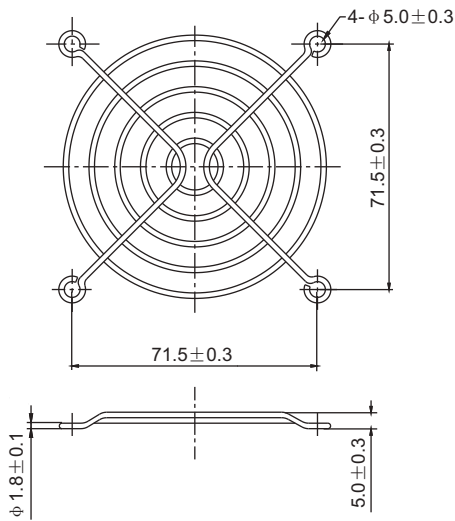
MGM6060



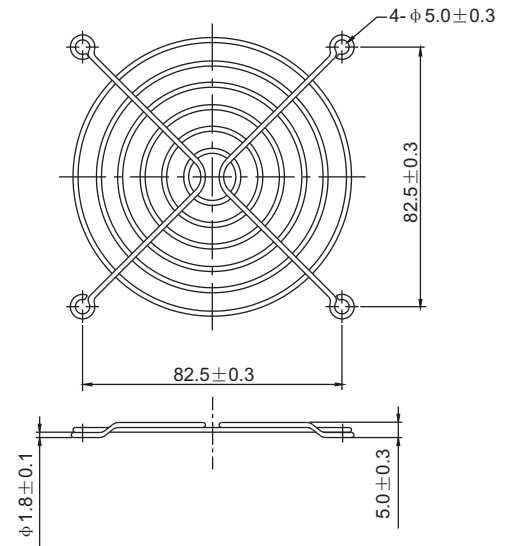
MGM7070



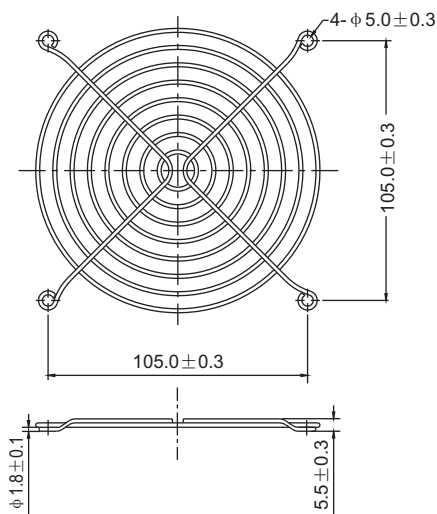
MGM8080



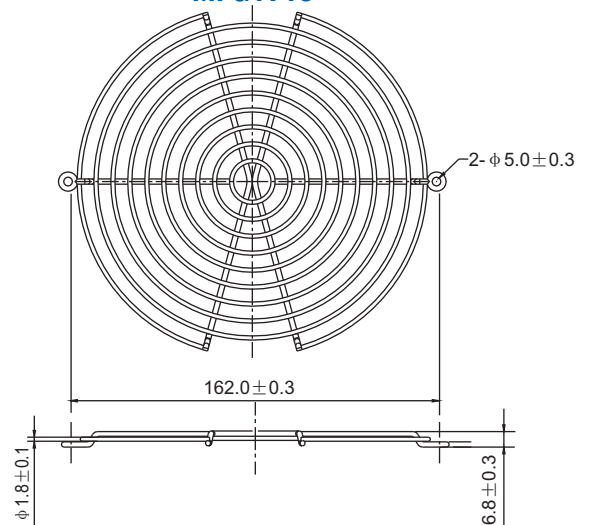
MGM9292



MGM1212



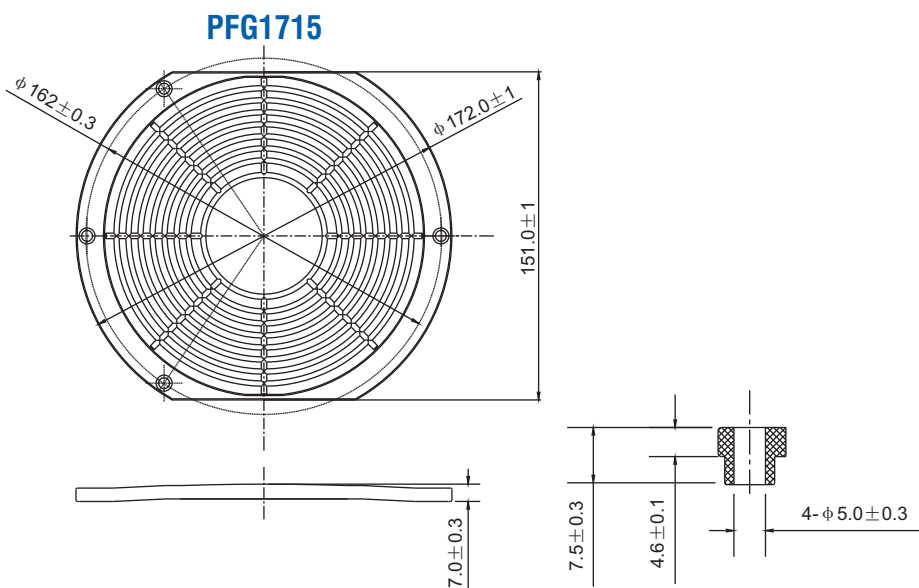
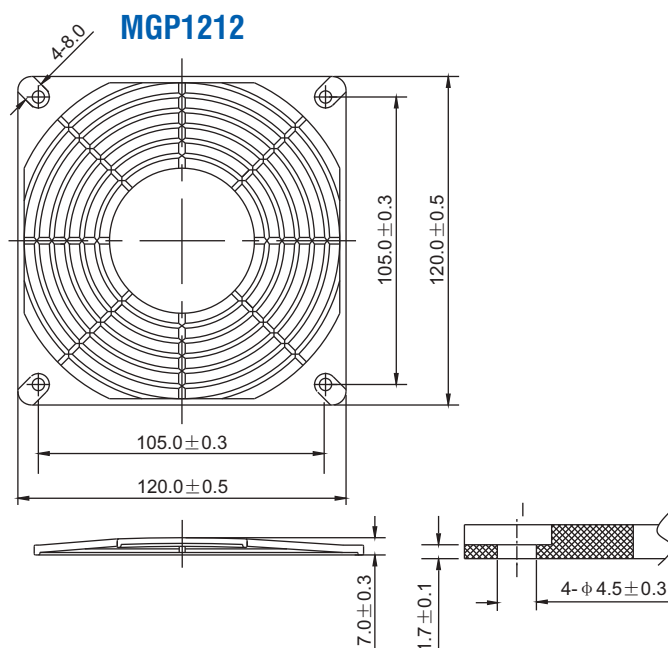
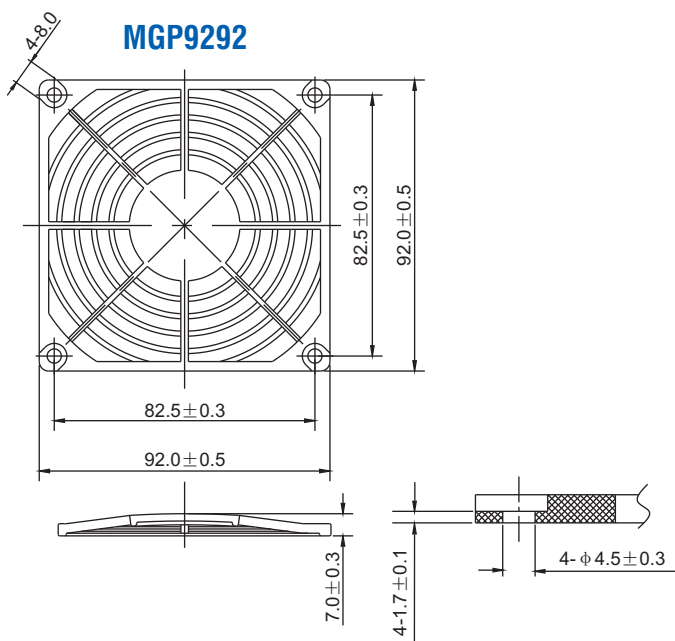
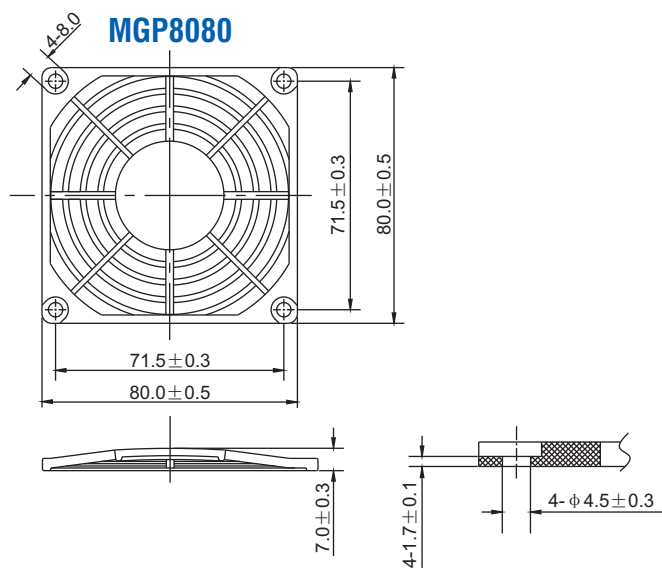
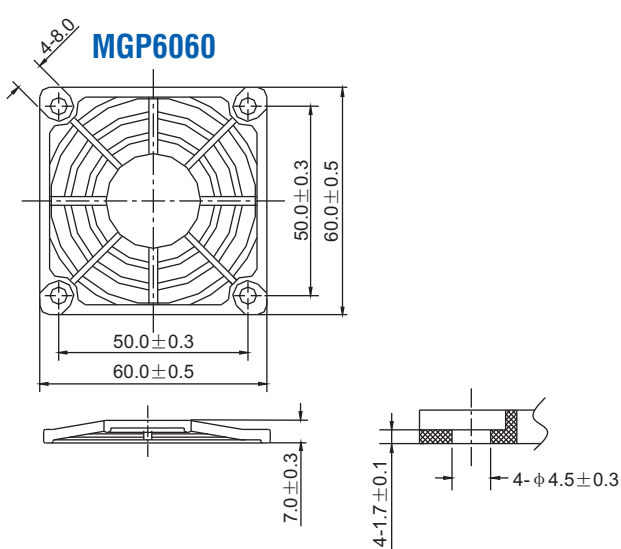
MFG1715



Notes: Specifications are subjected to change without prior notice.

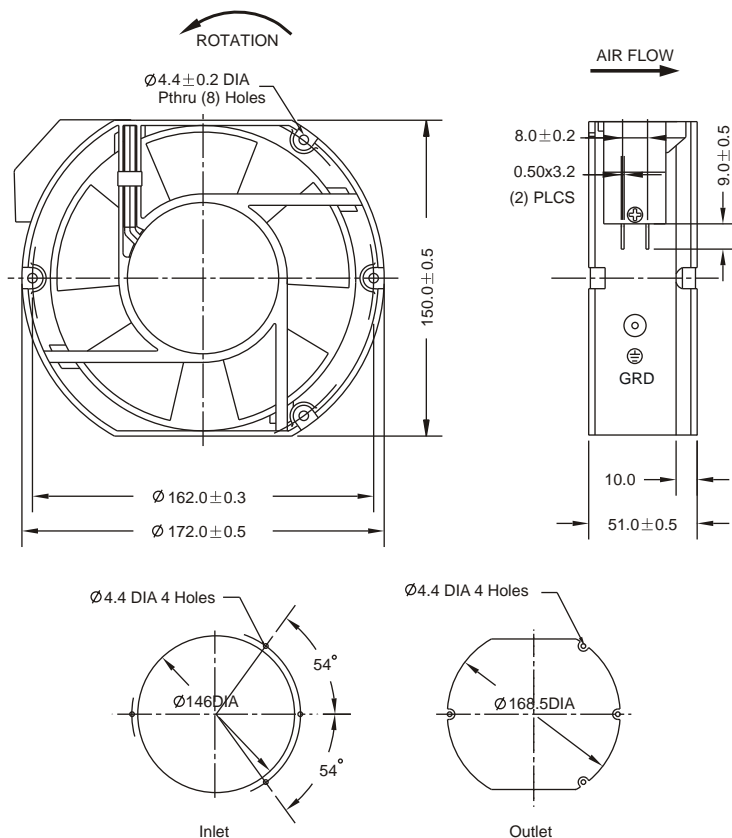
Plastic Finger Guard

Unit: mm



Notes: Specifications are subjected to change without prior notice.

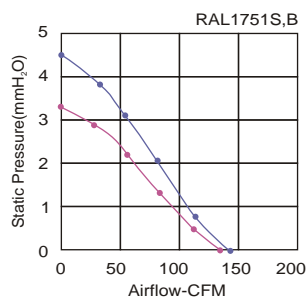
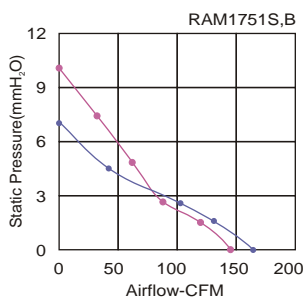
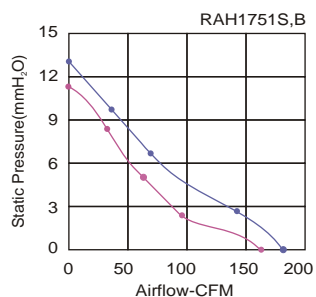
AC 1751 SERIES AXIAL FAN



Size: 172mmx150mmx51mm
Airflow: 233~306m³/hr
 137~180CFM
Weight: 880g
Noise: 45~55dBA
Impeller: PA6 UL94V-0 Reinforced Plastic
Frame: Aluminium Alloy
Terminals: 0.5mm
Lead Wire: AWG#22 UL 1015
 (Optional)
Motor: Shaded Pole Induction Motor
Safety: UL.CUL.TUV.CE
Operation Temperature: -10°C~+60°C

Unit:mm

Model	Bearing System	Voltage VAC	Freq. Hz	Current A	Power W	Speed RPM	Noise dBA	Air Flow		Static Pressure (mmH ₂ O)	Weight Gram
								M ³ /hr	CFM		
RAH1751S1	Sleeve	220~240	50/60	0.40	47/41	2700/3000	51/55	272/306	160/180	11.3/13	880
RAM1751S1		220~240	50/60	0.30	28/27	2500/2700	49/51	252/272	148/160	9.9/7.0	
RAL1751S1		220~240	50/60	0.20	20/20	2200/2400	45/47	233/240	137/141	3.4/4.6	
RAH1751S2		100~125	50/60	0.60	47/41	2700/3000	51/55	272/306	160/180	11.3/13	
RAM1751S2		100~125	50/60	0.50	28/27	2500/2700	49/51	252/272	148/160	9.9/7.0	
RAL1751S2		100~125	50/60	0.40	20/20	2000/2400	45/47	233/240	137/141	3.4/4.6	
RAH1751B1	Ball	220~240	50/60	0.40	47/41	2700/3000	51/55	272/306	160/180	11.3/13	
RAM1751B1		220~240	50/60	0.30	28/27	2500/2700	49/51	252/272	148/160	9.9/7.0	
RAL1751B1		220~240	50/60	0.20	20/20	2200/2400	45/47	233/240	137/141	3.4/4.6	
RAH1751B2		100~125	50/60	0.60	47/41	2700/3000	51/55	272/306	160/180	11.3/13	
RAM1751B2		100~125	50/60	0.50	28/27	2500/2700	49/51	252/272	148/160	9.9/7.0	
RAL1751B2		100~125	50/60	0.40	20/20	2200/2400	45/47	233/240	137/141	3.4/4.6	



Key
 — 60Hz
 — 50Hz

ВЕНТИЛЯТОР XINRUILIAN Минск т.80447584780 viber
email minsk17@tut.by tel.+375 29 758 47 80 МТС www.fotorele.net www.tiristor.by
каталог, описание, вентилятор, xinruijian, технические, характеристики, datasheet, параметры, маркировка, габариты, фото, даташит, аналог, замена, Беларусь

[вентилятор, XINRUILIAN, купить, продажа, в наличии, Минск, Беларусь](#)



[где и как купить в Минске?](#)

Сделать заявку или запрос можно по телефону факсу, Вайберу или по электронной почте

Просим Вас указывать в заявке:

- название предприятия, факс, контактный телефон, контактное лицо;
- полное наименование и количество товара;
- возможность замены или аналоги;

Каталог вентиляторов

[вентилятор, XINRUILIAN купить в Беларуси](#)