

## LIMIT SWITCH

### Features

- High precision and metal die-casting body.
- Easy to wire connection construction.
- High mechanical strength.
- Dust-proof construction.



### Specifications

Item	Standard
Rating	5A, 125V or 250VAC
Contact Resistance	25mΩ max.(initial)
Insulation Resistance	100MΩ min. (at 500VDC)
Dielectric Strength	1,000VAC,50/60Hz for 1 minute
Service Life Mechanically:	1,000,000 operations min.
Service Life Electrically	100,000 operations min.

### Product Selection

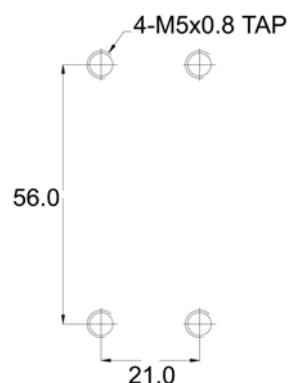
AH

1

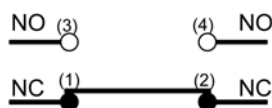
#### HEAD AND ACTUATOR

- 8111:** Push plunger type
- 8112:** Roller plunger type
- 8122:** Roller plunger type angle 90°
- 8104:** Roller arm type
- 8107:** Rod lever type
- 8108:** Adjustable roller arm type (standard roller)
- 8166:**Thermoplastic end flexible rod type
- 8169:**Cat whisker type
- 9101:**Wobble opening

### Mounting Hole



### Contact Configuration



HIGHLY

C5

Design, specifications are subject to change without notice.

## LIMIT SWITCH

### Operating Characteristics

Unit :mm

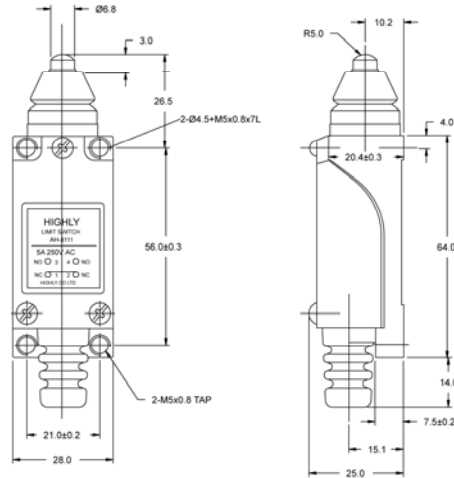
#### Item NO.

#### Dimensions

#### AH8111



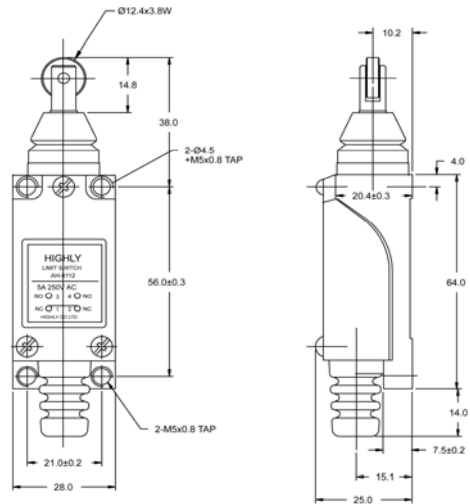
OF max.	900g
RF min.	150g
PT max.	1.5mm
MD max.	0.7mm
OT min.	4mm
TT min.	5.5mm



#### AH8112



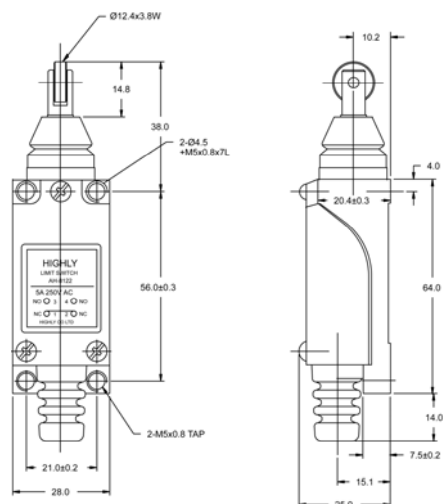
OF max.	900g
RF min.	150g
PT max.	1.5mm
MD max.	0.7mm
OT min.	4mm
TT min.	5.5mm



#### AH8122



OF max.	900g
RF min.	150g
PT max.	1.5mm
MD max.	0.7mm
OT min.	4mm
TT min.	5.5mm



# LIMIT SWITCH

## Operating Characteristics

Unit :mm

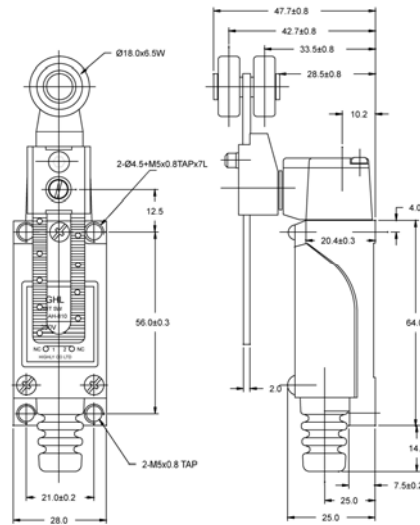
### Item NO.

### Dimensions

#### AH8104



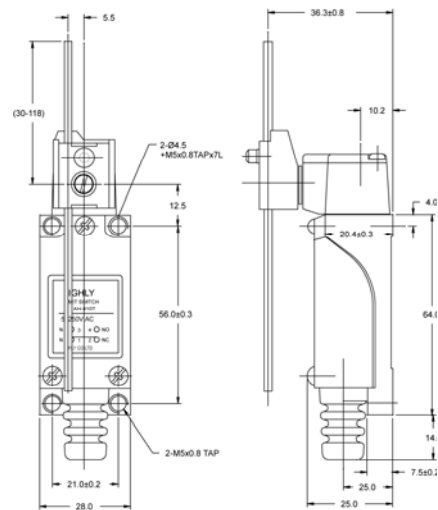
OF max.	600g
RF min.	50g
PT max.	20°
MD max.	10°
OT min.	75°
TT min.	95°



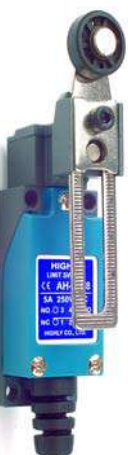
#### AH8107



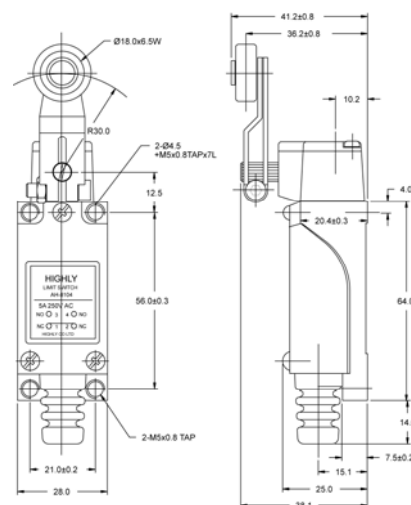
OF	800-230g
RF	50-12g
PT max.	20°
MD max.	10°
OT min.	75°
TT min.	95°



#### AH8108



OF	800-342g
RF	50-12g
PT max.	20°
MD max.	10°
OT min.	75°
TT min.	95°



C7

Design, specifications are subject to change w

# LIMIT SWITCH

## Operating Characteristics

Unit :mm

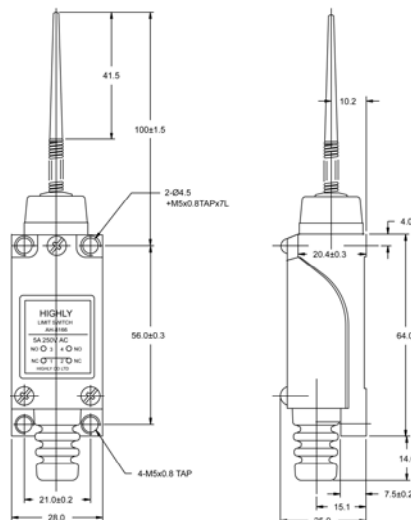
Item NO.

Dimensions

**AH-8166**



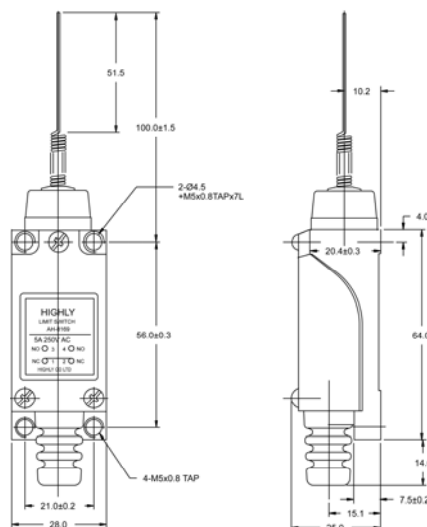
OF max.	900g
RF min.	--
PT max.	30mm
MD max.	--
OT min.	20mm
TT min.	50mm



**AH8169**



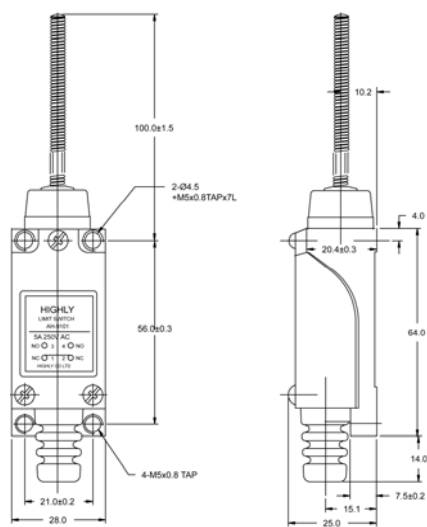
OF max.	900g
RF min.	--
PT max.	30mm
MD max.	--
OT min.	20mm
TT min.	50mm



**AH9101**



OF max.	900g
RF min.	--
PT max.	30mm
MD max.	--
OT min.	20mm
TT min.	50mm



HIGHLY

C8

Design, specifications are subject to change without notice.