

Реле carlo gavazzi Минск т.80447584780
www.fotorele.net www.tiristor.by радиодетали, электронные компоненты
email minsk17@tut.by tel.+375 29 758 47 80 МТС

Реле, твердотельное, Crydom, модуль, каталог, описание, технические,
характеристики, datasheet, параметры,
маркировка, габариты, фото, даташит, solid, state, relay, carlo, gavazzi,



**Реле, твёрдотельное купить,
продажа, в наличии,
Минск, Беларусь**

реле

электромеханическое

электронные

компоненты

[где и как купить в Минске?](#)

реле общего назначения carlo gavazzi

rn1s40h30pos107 реле 400v 30a pnp, no special version

rm1e23v100 реле as 230v 100a 0-10v

rm1e23aa100 реле as 230v 100a 4-20ma

rm1e23v25 реле as 230v 25a 0-10v

rm1e23aa25 реле as 230v 25a 4-20ma

rm1e23v50 реле as 230v 50a 0-10v

rm1e23aa50 реле as 230v 50a 4-20ma

rm1e40aa100 реле as 400v 100a 4-20ma

rm1e40aa25 реле as 400v 25a 4-20ma

Заказ Минск тел.+375 29 7584780 мтс email minsk17@tut.by www.fotorele.net

rm1e40aa50	реле as 400v 50a 4-20ma
rm1e48v100	реле as 480v 100a 0-10v
rm1e48aa100	реле as 480v 100a 4-20ma
rm1e48v25	реле as 480v 25a 0-10v
rm1e48aa25	реле as 480v 25a 4-20ma
rm1e48v50	реле as 480v 50a 0-10v
rm1e48aa50	реле as 480v 50a 4-20ma
rm1e48aa75	реле as 480v 75a 4-20ma
rm1e60v100	реле as 600v 100a 0-10v
rm1e60aa100	реле as 600v 100a 4-20ma
rm1e60v25	реле as 600v 25a 0-10v
rm1e60aa25	реле as 600v 25a 4-20ma
rm1e60v50	реле as 600v 50a 0-10v
rm1e60aa50	реле as 600v 50a 4-20ma
sm170120	реле c/v 120vac 3ph volt loss/seq.
sf11023050-10	реле c/v 230vac 50hz freq
sm170380	реле c/v 380vac 3ph volt loss/seq.
sm170400	реле c/v 400vac 3ph volt loss/seq.
sm170415	реле c/v 415vac 3ph volt loss/seq.
sm170440	реле c/v 440vac 3ph volt loss/seq.
sm170480	реле c/v 480vac 3ph volt loss/seq.
sm170500	реле c/v 500vac 3ph volt loss/seq.
rjip20	реле cover for rj mini pack of 50 pcs
rmip20	реле cover for rm pack of 20 pcs
rd3501-d	реле dcs 200v 1a 3-32vdc
rd2001-d	реле dcs 350v 1a 3-32vdc
rd0605-d	реле dcs 60v 5a 3-32vdc
rp1d350d1	реле dcs pcb mt 350v 1a 4.25-32vdc
rp1d060d4	реле dcs pcb mt 60v 4a 4.25-32vdc
rp1d060d4m1	реле dcs pcb mt 60v 4a din rail
rp1d060d8	реле dcs pcb mt 60v 8a 4.25-32vdc
rp1d060d8m1	реле dcs pcb mt 60v 8a din rail
dsb51xxs	реле dsb 2 wire data 24v rev.1
dsb54xp275	реле dsb type 2 4+0 275vac
dsb53xd1000	реле dsb type 2 1000vdc w/o
rhsf40-24	реле fan ass. 40x40 24vdc
rhsf60-24	реле fan ass. 60x60 24vdc

m1f12v30	реле fucy zs 120v 30a 10v
m2f12v30	реле fucy zs 120v 30a 10v
m1f12i30	реле fucy zs 120v 30a 20ma
m2f12i30	реле fucy zs 120v 30a 20ma
m1f12v50	реле fucy zs 120v 50a 10v
m2f12v50	реле fucy zs 120v 50a 10v
m1f12i50	реле fucy zs 120v 50a 20ma
m2f12i50	реле fucy zs 120v 50a 20ma
m1f23v30	реле fucy zs 230v 30a 10v
m2f23v30	реле fucy zs 230v 30a 10v
m1f23i30	реле fucy zs 230v 30a 20ma
m2f23i30	реле fucy zs 230v 30a 20ma
m1f23v50	реле fucy zs 230v 50a 10v
m2f23v50	реле fucy zs 230v 50a 10v
m1f23i50	реле fucy zs 230v 50a 20ma
m2f23i50	реле fucy zs 230v 50a 20ma
m1f48v30	реле fucy zs 480v 30a 10v
m2f48v30	реле fucy zs 480v 30a 10v
m1f48i30	реле fucy zs 480v 30a 20ma
m2f48i30	реле fucy zs 480v 30a 20ma
m1f48v50	реле fucy zs 480v 50a 10v
m2f48v50	реле fucy zs 480v 50a 10v
m1f48i50	реле fucy zs 480v 50a 20ma
m2f48i50	реле fucy zs 480v 50a 20ma
rj1p23mbt50ebc	реле h/s 2 wire modbus rtu basic 50a 230v e
rj1p23mbt50ecs	реле h/s 2 wire modbus rtu curr sense 50a 230v e
rj1p23mbt50ecv	реле h/s 2 wire modbus rtu curr volt 50a 230v e
rj1p48mbt50ebc	реле h/s 2 wire modbus rtu curr volt 50a 480v e
rj1p48mbt50ecv	реле h/s 2 wire modbus rtu curr volt 50a 480v e
rj1p60mbt50ecv	реле h/s 2 wire modbus rtu curr volt 50a 600v e
rj1p23v30e	реле h/s ps 230v 30a 0-10v e
rj1p48i30e	реле h/s ps 230v 30a 0-10v e
rj1p23v50e	реле h/s ps 230v 50a 0-10v e
rj1p23v50eppo	реле h/s ps 230v 50a 0-10v e
rj1p23i50e	реле h/s ps 230v 50a 4-20ma e
rj1p48v30eppo	реле h/s ps 480v 30a
rj1p48v30e	реле h/s ps 480v 30a 0-10v e

rj1p48v50eppo	реле h/s ps 480v 50a
rj1p48v50e	реле h/s ps 480v 50a 0-10v e
rj1p48i50e	реле h/s ps 480v 50a 4-20ma e
rj1p60v50e	реле h/s ps 600v 50a 0-10v e
rj1p60i50e	реле h/s ps 600v 50a 4-20ma e
rj1a23a20e	реле h/s zs 230v 20a 24-275vac e
rj1a23a20u	реле h/s zs 230v 20a 24-275vac u
rj1a23d20e	реле h/s zs 230v 20a 4-32vdc e
rj2a22d12e	реле h/s zs 2-pole 2x12a 220v 4-32vdc e
rj2a48d12e	реле h/s zs 2-pole 2x12a 480v 4-32vdc e
rj2a22d18e	реле h/s zs 2-pole 2x18a 220v 4-32vdc e
rj2a48d18e	реле h/s zs 2-pole 2x18a 480v 4-32vdc e
rj2a22a25e	реле h/s zs 2-pole 3x25a 220v 24-275vac e
rj2a22d25	реле h/s zs 2-pole 3x25a 220v 5-32vdc
rj2a40d25e	реле h/s zs 2-pole 3x25a 400v 5-32vdc
rj2a60a25e	реле h/s zs 2-pole 3x25a 600v 24-275vac e
rj2a60d25	реле h/s zs 2-pole 3x25a 600v 5-32vdc
rj2a22a32e	реле h/s zs 2-pole 3x32a 220v 24-275vac e
rj2a22d32	реле h/s zs 2-pole 3x32a 220v 5-32vdc
rj2a60a32e	реле h/s zs 2-pole 3x32a 600v 24-275vac e
rj2a60d32	реле h/s zs 2-pole 3x32a 600v 5-32vdc
rj3a22a20e	реле h/s zs 3-pole 3x20a 220v 24-275vac e
rj3a22d20	реле h/s zs 3-pole 3x20a 220v 5-32vdc
rj3a60a20e	реле h/s zs 3-pole 3x20a 600v 24-275vac e
rj3a60d20	реле h/s zs 3-pole 3x20a 600v 5-32vdc
rj3a22a25e	реле h/s zs 3-pole 3x25a 220v 24-275vac e
rj3a22d25	реле h/s zs 3-pole 3x25a 220v 5-32vdc
rj3a60a25e	реле h/s zs 3-pole 3x25a 600v 24-275vac e
rj3a60d25	реле h/s zs 3-pole 3x25a 600v 5-32vdc
rj3a22a32ep	реле h/s zs 3-pole 3x32a 220v 24-275vac ep
rj3a22d32ep	реле h/s zs 3-pole 3x32a 220v 5-32vdc ep
rj3a60a32ep	реле h/s zs 3-pole 3x32a 600v 24-275vac ep
rj3a60d32ep	реле h/s zs 3-pole 3x32a 600v 5-32vdc ep
rj1a60d20u	реле h/s zs 600v 20a 4-32vdc u
rj1a60d30uv	реле h/s zs 600v 30a 4-32vdc u + varistor
rj1a60a50u	реле h/s zs 600v 50a 24-275vac u
rjcsr1a23d30epno	реле h/s zs ar 4-32vdc 30a 230v otp npn no

rjcsr1a23d30epno	pele h/s zs ar 4-32vdc 30a 230v otp pnp no
rjcsr1a60d30epno	pele h/s zs ar 4-32vdc 30a 600v otp npn no
rjcsr1a60d30epno	pele h/s zs ar 4-32vdc 30a 600v otp pnp no
rjcsr1a23d50epno	pele h/s zs ar 4-32vdc 50a 230v otp npn no
rjcsr1a23d50epno	pele h/s zs ar 4-32vdc 50a 230v otp pnp no
rjcsr1a60d50epno	pele h/s zs ar 4-32vdc 50a 600v otp npn no
rjcsr1a60d50epno	pele h/s zs ar 4-32vdc 50a 600v otp pnp no
rjcs1a23d50epno	pele h/s zs curr sense 4-32vdc 50a 230v otp npn no
rjcs1a23d50epno	pele h/s zs curr sense 4-32vdc 50a 230v otp pnp no
rjcs1a60d50epno	pele h/s zs curr sense 4-32vdc 50a 600v otp npn no
rjcs1a60d50epno	pele h/s zs curr sense 4-32vdc 50a 600v otp pnp no
rjd2a23d30e	pele h/s zs dual ctrl 4-32vdc 2-pole 2x30a 230v
rjd2a60d30e	pele h/s zs dual ctrl 4-32vdc 2-pole 2x30a 600v
rjd2a23d45e	pele h/s zs dual ctrl 4-32vdc 2-pole 2x45a 230v
rjd2a60d45e	pele h/s zs dual ctrl 4-32vdc 2-pole 2x45a 600v
rjt3a23d20	pele h/s zs triple ctrl 4-32vdc 3-pole 3x20a 230v
rjt3a60d20	pele h/s zs triple ctrl 4-32vdc 3-pole 3x20a 600v
rjt3a23d25	pele h/s zs triple ctrl 4-32vdc 3-pole 3x25a 230v
rjt3a60d25	pele h/s zs triple ctrl 4-32vdc 3-pole 3x25a 600v
rm1b23d100	pele io 230v 100a 4-32 vdc led
ram1b23d100	pele io 230v 100a 4-32 vdc led ip20
ram1b23d125	pele io 230v 125a 4-32 vdc led ip20
rm1b23d25	pele io 230v 25a 4-32 vdc led
ram1b23d25	pele io 230v 25a 4-32 vdc led ip20
rm1b23d50	pele io 230v 50a 4-32 vdc led
ram1b23d50	pele io 230v 50a 4-32 vdc led ip20
rm1b23d75	pele io 230v 75a 4-32 vdc led
ram1b23d75	pele io 230v 75a 4-32 vdc led ip20
rm1b40d100	pele io 400v 100a 4-32 vdc led
rm1b40d25	pele io 400v 25a 4-32 vdc led
rm1b40d50	pele io 400v 50a 4-32 vdc led
rm1b40d75	pele io 400v 75a 4-32 vdc led
rm1b48d100	pele io 480v 100a 4-32 vdc led
rm1b48d25	pele io 480v 25a 4-32 vdc led
rm1b48d50	pele io 480v 50a 4-32 vdc led
rm1b48d75	pele io 480v 75a 4-32 vdc led
rm1b60d100	pele io 600v 100a 4-32 vdc led

ram1b60d100 пеле io 600v 100a 4-32 vdc led ip20
ram1b60d125 пеле io 600v 125a 4-32 vdc led ip20
rm1b60d25 пеле io 600v 25a 4-32 vdc led
ram1b60d25 пеле io 600v 25a 4-32 vdc led ip20
rm1b60d50 пеле io 600v 50a 4-32 vdc led
ram1b60d50 пеле io 600v 50a 4-32 vdc led ip20
rm1b60d75 пеле io 600v 75a 4-32 vdc led
ram1b60d75 пеле io 600v 75a 4-32 vdc led ip20
rp1b23d3 пеле io pcb mt. 230v 3a
rp1b23d3m1 пеле io pcb mt. 230v 3a din mt.
rp1b23d6 пеле io pcb mt. 230v 5.5a
rp1b23d6m1 пеле io pcb mt. 230v 5.5a din mt.
rp1b23d5 пеле io pcb mt. 230v 5a
rp1b23d5m1 пеле io pcb mt. 230v 5a din mt.
rp1b40d3 пеле io pcb mt. 400v 3a
rp1b40d6 пеле io pcb mt. 400v 5.5a
rp1b40d5 пеле io pcb mt. 400v 5a
rp1b48d3 пеле io pcb mt. 480v 3a
rp1b48d6 пеле io pcb mt. 480v 5.5a
rp1b48d5 пеле io pcb mt. 480v 5a
rp1b23d10 пеле io pcb mt. w heatsink 230v 10a
rp1b40d10 пеле io pcb mt. w heatsink 400v 10a
rp1b48d10 пеле io pcb mt. w heatsink 480v 10a
rp1b60d10 пеле io pcb mt. w heatsink 600v 10a
rm1c40d25 пеле ps 400v 25a 4.25-32vdc
rm1c40d50 пеле ps 400v 50a 4.25-32vdc
rm1c40d75 пеле ps 400v 75a 4.25-32vdc
rm1c60d100 пеле ps 600v 100a 4.25-32vdc
rm1c60d25 пеле ps 600v 25a 4.25-32vdc
rm1c60d50 пеле ps 600v 50a 4.25-32vdc
rgs1din пеле rgs1a din accessory
rhs301f115c пеле rhs301 & 115v fan assembly
rhs301f230c пеле rhs301 & 230v fan assembly
rm1a48d25h5 пеле rm 480v 25a dc ip+rhs45bd
rs1a23d40s18 пеле rs1a23d40s18
rn2b23d30 пеле soli io 230v 30a 5-32v
rn2b23d50 пеле soli io 230v 50a 5-32v

rn2b48d30	реле соли io 480v 30a 5-23v
rn2b48d50	реле соли io 480v 50a 5-32v
rn1s23h30nc	реле соли sense 230v 30a npn,nc
rn1s23h30no	реле соли sense 230v 30a npn,no
rn1s23l30nc	реле соли sense 230v 30a npn,no
rn1s23l30no	реле соли sense 230v 30a npn,no
rn1s23h30pc	реле соли sense 230v 30a pnp nc
rn1s23l30pc	реле соли sense 230v 30a pnp,nc
rn1s23h30po	реле соли sense 230v 30a pnp,no
rn1s23l30po	реле соли sense 230v 30a pnp,no
rn1s23h50nc	реле соли sense 230v 50a npn,nc
rn1s23l50nc	реле соли sense 230v 50a npn,nc
rn1s23h50no	реле соли sense 230v 50a npn,no
rn1s23l50no	реле соли sense 230v 50a npn,no
rn1s23h50pc	реле соли sense 230v 50a pnp nc
rn1s23l50pc	реле соли sense 230v 50a pnp,nc
rn1s23h50po	реле соли sense 230v 50a pnp,no
rn1s23l50po	реле соли sense 230v 50a pnp,no
rn1s40h30nc	реле соли sense 400v 30a npn,nc
rn1s40l30nc	реле соли sense 400v 30a npn,nc
rn1s40h30no	реле соли sense 400v 30a npn,no
rn1s40l30no	реле соли sense 400v 30a npn,no
rn1s40h30pc	реле соли sense 400v 30a pnp nc
rn1s40l30pc	реле соли sense 400v 30a pnp,nc
rn1s40h30po	реле соли sense 400v 30a pnp,no
rn1s40l30po	реле соли sense 400v 30a pnp,no
rn1s40h50nc	реле соли sense 400v 50a npn,nc
rn1s40l50nc	реле соли sense 400v 50a npn,nc
rn1s40h50no	реле соли sense 400v 50a npn,no
rn1s40l50no	реле соли sense 400v 50a npn,no
rn1s40h50pc	реле соли sense 400v 50a pnp nc
rn1s40l50pc	реле соли sense 400v 50a pnp,nc
rn1s40h50po	реле соли sense 400v 50a pnp,no
rn1s40l50po	реле соли sense 400v 50a pnp,no
rn1s48h30nc	реле соли sense 480v 30a npn,nc
rn1s48l30nc	реле соли sense 480v 30a npn,nc
rn1s48h30no	реле соли sense 480v 30a npn,no

rn1s48l30no	пеле соли sense 480v 30a npn,no
rn1s48h30pc	пеле соли sense 480v 30a pnp,nc
rn1s48l30pc	пеле соли sense 480v 30a pnp,nc
rn1s48h30po	пеле соли sense 480v 30a pnp,no
rn1s48l30po	пеле соли sense 480v 30a pnp,no
rn1s48h50nc	пеле соли sense 480v 50a npn,nc
rn1s48l50nc	пеле соли sense 480v 50a npn,nc
rn1s48h50no	пеле соли sense 480v 50a npn,no
rn1s48l50no	пеле соли sense 480v 50a npn,no
rn1s48h50pc	пеле соли sense 480v 50a pnp,nc
rn1s48l50pc	пеле соли sense 480v 50a pnp,nc
rn1s48h50po	пеле соли sense 480v 50a pnp,no
rn1s48l50po	пеле соли sense 480v 50a pnp,no
rn2a23a30	пеле соли zs 230v 30a 24-230v
rn2a23d30	пеле соли zs 230v 30a 5-32vdc
rn2a23a50	пеле соли zs 230v 50a 24-230v
rn2a23d50	пеле соли zs 230v 50a 5-32vdc
rn2a48a30	пеле соли zs 480v 30a 24-230v
rn2a48d30	пеле соли zs 480v 30a 5-32vdc
rn2a48a50	пеле соли zs 480v 50a 24-230v
rn2a48d50	пеле соли zs 480v 50a 5-32vdc
rap40a3	пеле zero sw pcb mt. 400v 3a
rap40a5	пеле zero sw pcb mt. 400v 5a
rap48a3	пеле zero sw pcb mt. 480v 3a
rap48a5	пеле zero sw pcb mt. 480v 5a
rn3a22d15	пеле zs 15a 3pole 220vac 5-32
rn3a40d15	пеле zs 15a 3pole 400vac 5-32
rn3a48d15	пеле zs 15a 3pole 480vac 5-32
rm1a23a100	пеле zs 230v 100a 20-280 vac led
ram1a23a100	пеле zs 230v 100a 20-280 vac led ip20
rm1a23d100	пеле zs 230v 100a 3-32 vdc led
ram1a23d100	пеле zs 230v 100a 3-32 vdc led ip20
rm1a23m100	пеле zs 230v 100a 5-24 vac/dc led
rs1a23la10	пеле zs 230v 10a 18-36 vac led
rs1a23d10f0	пеле zs 230v 10a 3-32 vdc faston
rs1a23d10	пеле zs 230v 10a 3-32 vdc led
ram1a23a125	пеле zs 230v 125a 20-280 vac led ip20

ram1a23d125	пене зс 230v 125a 3-32 vdc led ip20
rs1a23a1-25	пене зс 230v 25a 110vac led
rs1a23la25	пене зс 230v 25a 18-36 vac led
rm1a23a25	пене зс 230v 25a 20-280 vac led
ram1a23a25	пене зс 230v 25a 20-280 vac led ip20
ram1a23a25z	пене зс 230v 25a 20-280 vac led ip20 trans
rs1a23a2-25	пене зс 230v 25a 230vac led
rm1a23d25	пене зс 230v 25a 3-32 vdc led
rs1a23d25	пене зс 230v 25a 3-32 vdc led
ram1a23d25	пене зс 230v 25a 3-32 vdc led ip20
ram1a23d25f4	пене зс 230v 25a 3-32 vdc led ip20 faston
ram1a23d25z	пене зс 230v 25a 3-32 vdc led ip20 trans
rs1a23a4-25	пене зс 230v 25a 400vac led
rm1a23m25	пене зс 230v 25a 5-24 vac/dc led
rs1a23a1-40	пене зс 230v 40a 110vac led
rs1a23la40	пене зс 230v 40a 18-36 vac led
rs1a23a2-40	пене зс 230v 40a 230vac led
rs1a23d40	пене зс 230v 40a 3-32 vdc led
rs1a23a4-40	пене зс 230v 40a 400vac led
rm1a23a50	пене зс 230v 50a 20-280 vac led
ram1a23a50	пене зс 230v 50a 20-280 vac led ip20
rm1a23d50	пене зс 230v 50a 3-32 vdc led
ram1a23d50	пене зс 230v 50a 3-32 vdc led ip20
rm1a23m50	пене зс 230v 50a 5-24 vac/dc led
rm1a23a75	пене зс 230v 75a 20-280 vac led
ram1a23a75	пене зс 230v 75a 20-280 vac led ip20
rm1a23d75	пене зс 230v 75a 3-32 vdc led
ram1a23d75	пене зс 230v 75a 3-32 vdc led ip20
rm1a23m75	пене зс 230v 75a 5-24 vac/dc led
ra2410-d06l	пене зс 240v 10a 3-32v l-noise
ra24110-d06	пене зс 240v 110a
ra2425la06	пене зс 240v 25a 10-90v
ra2425-d06l	пене зс 240v 25a 3-32v l-noise
ra2425-d06lbs05	пене зс 240v 25a 3-32v l-noise special
ra2425-d06	пене зс 240v 25a 3-32vdc
ra2425-d06t	пене зс 240v 25a 3-32vdc triac
ra2425-d06tf	пене зс 240v 25a 3-32vdc triac

ra2425ha06	реле зс 240v 25a 90-280v
ra2425ha06t	реле зс 240v 25a 90-280v triac
ra2450la06	реле зс 240v 50a 10-90v
ra2450-d06	реле зс 240v 50a 3-32vdc
ra2450ha06	реле зс 240v 50a 90-280v
ra2490la06	реле зс 240v 90a 10-90v
ra2490-d06	реле зс 240v 90a 3-32 vdc
ra2490ha06	реле зс 240v 90a 90-280v
rn3a22d30	реле зс 30a 3pole 220vac 5-32
rn3a40d30	реле зс 30a 3pole 400vac 5-32
rn3a48d30	реле зс 30a 3pole 480vac 5-32
rm1a40a100	реле зс 400v 100a 20-280 vac led
rm1a40d100	реле зс 400v 100a 4-32 vdc led
rm1a40m100	реле зс 400v 100a 5-24 vac/dc led
rs1a40la10	реле зс 400v 10a 18-36 vac led
rs1a40d10	реле зс 400v 10a 4-32 vdc led
ra40110-d10	реле зс 400v 110a 4.5-32vdc
ra4010-d08l	реле зс 400v 16a 3-32v l-noise
ra4425la08	реле зс 400v 25a 10-90v
rs1a40la25	реле зс 400v 25a 18-36 vac led
rm1a40a25	реле зс 400v 25a 20-280 vac led
rs1a40a2-25	реле зс 400v 25a 230vac led
ra4025-d08l	реле зс 400v 25a 3-32v l-noise
ra4425-d08	реле зс 400v 25a 3-32vdc
ra4425-d08t	реле зс 400v 25a 3-32vdc triac
rs1a40a4-25	реле зс 400v 25a 400vac led
rm1a40d25	реле зс 400v 25a 4-32 vdc led
rs1a40d25	реле зс 400v 25a 4-32 vdc led
rm1a40m25	реле зс 400v 25a 5-24 vac/dc led
ra4425ha08	реле зс 400v 25a 90-280v
rs1a40la40	реле зс 400v 40a 18-36 vac led
rs1a40a2-40	реле зс 400v 40a 230vac led
rs1a40a4-40	реле зс 400v 40a 400vac led
rs1a40d40	реле зс 400v 40a 4-32 vdc led
ra4450la08	реле зс 400v 50a 10-90v
rm1a40a50	реле зс 400v 50a 20-280 vac led
ra4450-d08	реле зс 400v 50a 3-32vdc

rm1a40d50	пелне зс 400v 50a 4-32 vdc led
rm1a40m50	пелне зс 400v 50a 5-24 vac/dc led
ra4450ha08	пелне зс 400v 50a 90-280v
rm1a40a75	пелне зс 400v 75a 20-280 vac led
rm1a40d75	пелне зс 400v 75a 4-32 vdc led
rm1a40m75	пелне зс 400v 75a 5-24 vac/dc led
ra4490la08	пелне зс 400v 90a 10-90v
ra4490-d08	пелне зс 400v 90a 3-32vdc
ra4090-d10	пелне зс 400v 90a 4.5-32vdc
ra4490ha08	пелне зс 400v 90a 90-280v
ra4410-d08	пелне зс 440v 10a 3-32vdc
rm1a48a1-100	пелне зс 480v 100a 110vac led
rm1a48a100	пелне зс 480v 100a 20-280 vac led
rm1a48d100	пелне зс 480v 100a 4-32 vdc led
rm1a48m100	пелне зс 480v 100a 5-24 vac/dc led
rs1a48la10	пелне зс 480v 10a 18-36 vac led
ra4810-d12	пелне зс 480v 10a 3-32vdc
rs1a48d10	пелне зс 480v 10a 4-32 vdc led
ra48110-d12	пелне зс 480v 110a 4.5-32vdc
ra4825l12ncss00	пелне зс 480v 25a
ra4825la12	пелне зс 480v 25a 10-90v
rs1a48la25	пелне зс 480v 25a 18-36 vac led
rm1a48a25	пелне зс 480v 25a 20-280 vac led
ra4825-d12	пелне зс 480v 25a 3-32vdc
rm1a48d25	пелне зс 480v 25a 4-32 vdc led
rs1a48d25	пелне зс 480v 25a 4-32 vdc led
rm1a48m25	пелне зс 480v 25a 5-24 vac/dc led
ra4825ha12	пелне зс 480v 25a 90-280v
rs1a48la40	пелне зс 480v 40a 18-36 vac led
rs1a48d40	пелне зс 480v 40a 4-32 vdc led
ra4850la12	пелне зс 480v 50a 10-90v
ra4875hd12s01	пелне зс 480v 50a 10-90v special
rm1a48a50	пелне зс 480v 50a 20-280 vac led
ra4850-d12	пелне зс 480v 50a 3-32vdc
rm1a48d50	пелне зс 480v 50a 4-32 vdc led
rm1a48d50s18	пелне зс 480v 50a 4-32 vdc led
rm1a48d50h3	пелне зс 480v 50a 4-32 vdc led+rhs110

rm1a48m50	пелне зс 480v 50a 5-24 vac/dc led
ra4850ha12	пелне зс 480v 50a 90-280v
rm1a48a75	пелне зс 480v 75a 20-280 vac led
rm1a48d75	пелне зс 480v 75a 4-32 vdc led
rm1a48d75s128	пелне зс 480v 75a 4-32 vdc led — special
rm1a48d75lp40	пелне зс 480v 75a 4-32 vdc led low noise
rm1a48m75	пелне зс 480v 75a 5-24 vac/dc led
ra4890la12	пелне зс 480v 90a 10-90v
ra4890-d12	пелне зс 480v 90a 4.5-32vdc
ra4890ha12	пелне зс 480v 90a 90-280v
rm1a60a100	пелне зс 600v 100a 20-280 vac led
ram1a60a100	пелне зс 600v 100a 20-280 vac led ip20
rm1a60d100	пелне зс 600v 100a 4-32 vdc led
ram1a60d100	пелне зс 600v 100a 4-32 vdc led ip20
ram1a60d100z	пелне зс 600v 100a 4-32 vdc led ip20 trans
rm1a60m100	пелне зс 600v 100a 5-24 vac/dc led
rp1a60d10m2	пелне зс 600v 10a dc ip din rail
ra60110-d16	пелне зс 600v 110a 4.5-32vdc
ram1a60a125	пелне зс 600v 125a 20-280 vac led ip20
ram1a60a125z	пелне зс 600v 125a 20-280 vac led ip20 trans
ram1a60d125	пелне зс 600v 125a 4-32 vdc led ip20
ram1a60d125z	пелне зс 600v 125a 4-32 vdc led ip20 trans
rm1a60a25	пелне зс 600v 25a 20-280 vac led
ram1a60a25	пелне зс 600v 25a 20-280 vac led ip20
rm1a60d25	пелне зс 600v 25a 4-32 vdc led
ram1a60d25	пелне зс 600v 25a 4-32 vdc led ip20
rm1a60m25	пелне зс 600v 25a 5-24 vac/dc led
rm1a60a50	пелне зс 600v 50a 20-280 vac led
ram1a60a50	пелне зс 600v 50a 20-280 vac led ip20
ra6050-d16	пелне зс 600v 50a 4.5-32vdc
rm1a60d50	пелне зс 600v 50a 4-32 vdc led
ram1a60d50	пелне зс 600v 50a 4-32 vdc led ip20
rm1a60m50	пелне зс 600v 50a 5-24 vac/dc led
rm1a60a75	пелне зс 600v 75a 20-280 vac led
ram1a60a75	пелне зс 600v 75a 20-280 vac led ip20
rm1a60d75	пелне зс 600v 75a 4-32 vdc led
ram1a60d75	пелне зс 600v 75a 4-32 vdc led ip20

rm1a60m75 реле зс 600v 75a 5-24 vac/dc led
ra6090-d16 реле зс 600v 90a 4.5-32vdc
ram1a69a100 реле зс 690v 100a 20-280 vac led ip20
ram1a69d100 реле зс 690v 100a 4-32 vdc led ip20
ram1a69a125 реле зс 690v 125a 20-280 vac led ip20
ram1a69d125 реле зс 690v 125a 4-32 vdc led ip20
ram1a69a75 реле зс 690v 75a 20-280 vac led ip20
ram1a69d75 реле зс 690v 75a 4-32 vdc led ip20
rp1a23d3 реле зс pcb mt. 230v 3a
rp1a23d3m1 реле зс pcb mt. 230v 3a din mt.
rp1a23d6 реле зс pcb mt. 230v 5.5a
rp1a23a6 реле зс pcb mt. 230v 5.5a 16-32vac
rp1a23a6m1 реле зс pcb mt. 230v 5.5a din mt.
rp1a23d6m1 реле зс pcb mt. 230v 5.5a din mt.
rp1a23a6m1s58 реле зс pcb mt. 230v 5.5a din mt. special version
rp1a23d5 реле зс pcb mt. 230v 5a
rp1a23d5m1 реле зс pcb mt. 230v 5a din mt.
rp1a40d3 реле зс pcb mt. 400v 3a
rp1a40d3m2 реле зс pcb mt. 400v 3a din mt.
rp1a40d6 реле зс pcb mt. 400v 5.5a
rp1a40d6m2 реле зс pcb mt. 400v 5.5a din mt.
rp1a40d5 реле зс pcb mt. 400v 5a
rp1a40d5m2 реле зс pcb mt. 400v 5a din mt.
rp1a48d3 реле зс pcb mt. 480v 3a
rp1a48d6 реле зс pcb mt. 480v 5.5a
rp1a48d6m2 реле зс pcb mt. 480v 5.5a din mt.
rp1a48d5 реле зс pcb mt. 480v 5a
rp1a48d5m2 реле зс pcb mt. 480v 5a din mt.
rp1a23d10 реле зс pcb mt. w heatsink 230v 10a
rp1a23d10m2 реле зс pcb mt. w heatsink 230v 10a din mt.
rp1a40d10 реле зс pcb mt. w heatsink 400v 10a
rp1a48d10 реле зс pcb mt. w heatsink 480v 10a
rp1a60d10 реле зс pcb mt. w heatsink 600v 10a
sg125024реле времени
sg125115реле времени
sg125230реле времени
sg125724реле времени

dla71db232p	реле выбора насоса dla71db232p rev.5
dla71db482p	реле выбора насоса dla71db482p rev.5
dla71tb233p	реле выбора насоса dla71tb233p rev.5
dla71tb483p	реле выбора насоса dla71tb483p rev.5
dla73tb232p	реле выбора насоса dla73tb232p rev.3
dla73tb482p	реле выбора насоса dla73tb482p rev.3
rmd1h23a20	реле гибридное 1 pole din mtg 230v 20a 24-275vac
rmd1h23d20	реле гибридное 1 pole din mtg 230v 20a 4-32vdc
dsf52cd1000pv	реле защитное
dsf52cd600pv	реле защитное
dsf52xd1000pv	реле защитное
dsf53cd1200pv	реле защитное
dsf53xd1200pv	реле защитное
dsa53cd1000	реле защитное 1000vdc 3-pole (y) type 2 surge arrester for p.v. with contact
dsa53xd1000	реле защитное 1000vdc 3-pole (y) type 2 surge arrester for p.v. without contact
dsa52ca280n	реле защитное 280vac 1-phase type 2 surge arrester (1+1) for tn and tt with contact
dsa54cp280n	реле защитное 280vac 3-фазн. type 2 surge arrester (3+1) for tn and tt with contact
dsa52cd585	реле защитное 500vdc 2-pole type 2 surge arrester for p.v. with contact
dsa53cd585	реле защитное 500vdc 3-pole (d) type 2 surge arrester for p.v. with contact
dsa52cd745	реле защитное 700vdc 2-pole type 2 surge arrester for p.v. with contact
dsa53cd745	реле защитное 700vdc 3-pole (d) type 2 surge arrester for p.v. with contact
dsa51xxs	реле защитное surge arrester for 2-wire data transmission systems without contact
h475156115	реле контроля 3-фазн. max/min
h475156230	реле контроля 3-фазн. max/min
h475156400	реле контроля 3-фазн. max/min
se135115500k	реле контроля температуры
se135230500k	реле контроля температуры
se1352305k	реле контроля температуры
s1481156024	реле контроля температуры
s1481156230	реле контроля температуры
s1481156724	реле контроля температуры
st11511580	реле контроля температуры
st115230100	реле контроля температуры
st11523080	реле контроля температуры
st115724100	реле контроля температуры
st125024100	реле контроля температуры
st125230	реле контроля температуры

st125230100 реле контроля температуры
st125230150 реле контроля температуры
st125230200 реле контроля температуры
st125230300 реле контроля температуры
st125230400 реле контроля температуры
st12523050 реле контроля температуры
st125724100 реле контроля температуры
st125724200 реле контроля температуры
st199024 реле контроля температуры
st199230 реле контроля температуры
eldc230100k реле контроля уровня 10-100k disc
sv160024 реле контроля уровня для емкостных датчиков charge
sv160115 реле контроля уровня для емкостных датчиков charge
sv160230 реле контроля уровня для емкостных датчиков charge
sv160724 реле контроля уровня для емкостных датчиков charge
sv220812 реле контроля уровня для емкостных датчиков charge
sv225812 реле контроля уровня для емкостных датчиков charge
sv260024 реле контроля уровня для емкостных датчиков charge
sv260115 реле контроля уровня для емкостных датчиков charge
sv260230 реле контроля уровня для емкостных датчиков charge
sv260724 реле контроля уровня для емкостных датчиков charge
sv150024 реле контроля уровня для емкостных датчиков discharge
sv150115 реле контроля уровня для емкостных датчиков discharge
sv150230 реле контроля уровня для емкостных датчиков discharge
sv150724 реле контроля уровня для емкостных датчиков discharge
sv210812 реле контроля уровня для емкостных датчиков discharge
sv215812 реле контроля уровня для емкостных датчиков discharge
sv250024 реле контроля уровня для емкостных датчиков discharge
sv250115 реле контроля уровня для емкостных датчиков discharge
sv250230 реле контроля уровня для емкостных датчиков discharge
sv250724 реле контроля уровня для емкостных датчиков discharge
sv190024 реле контроля уровня для емкостных датчиков npn in spdt out
sv190115 реле контроля уровня для емкостных датчиков npn in spdt out
sv190230 реле контроля уровня для емкостных датчиков npn in spdt out
sv190724 реле контроля уровня для емкостных датчиков npn in spdt out
h496166024 реле контроля уровня, chge / disc
h496166115 реле контроля уровня, chge / disc

h496166230 реле контроля уровня, chge / disc

sl150024 реле логическое flip-flop

sl150048 реле логическое flip-flop

sl150115 реле логическое flip-flop

sl150230 реле логическое flip-flop

sl150712 реле логическое flip-flop

sl150724 реле логическое flip-flop

s160156024 реле логическое flip-flop memory

s160156048 реле логическое flip-flop memory

s160156115 реле логическое flip-flop memory

s160156230 реле логическое flip-flop memory

s160156724 реле логическое flip-flop memory

sl170024 реле логическое set-reset

sl170115 реле логическое set-reset

sl170230 реле логическое set-reset

sl170724 реле логическое set-reset

sl180024 реле логическое set-reset memory

sl180115 реле логическое set-reset memory

sl180230 реле логическое set-reset memory

sl180724 реле логическое set-reset memory

ppc01dm23 реле многофункциональное 240 vac 3-фазн.

dpc01dm23400hz реле многофункциональное 240 vac 400hz 3-фазн.

dpc71dm23 реле многофункциональное 3-фазн.

dpc71dm48 реле многофункциональное 3-фазн.

ppc71dm23 реле многофункциональное 3-фазн.

ppc71dm48 реле многофункциональное 3-фазн.

dpc72dm48b001 реле многофункциональное 3-фазн. vde0126

dpc72dm48b002 реле многофункциональное 3-фазн. vde0126

dpc72dm48b003 реле многофункциональное 3-фазн. vde0126

dpc01dm48 реле многофункциональное 480 vac 3-фазн.

ppc01dm48 реле многофункциональное 480 vac 3-фазн.

dpc02dm69 реле многофункциональное 600-690v 3-фазн.

dpc01d750 реле многофункциональное dpc01d750

dpc01dm11400hz реле многофункциональное dpc01dm11400hz 3-фазн. rev.8

dpc01dm23 реле многофункциональное dpc01dm23 3-фазн. rev.3

dpc01dm48400hz реле многофункциональное dpc01dm48400hz 3-фазн. rev.8

dpc01dm49400hz реле многофункциональное dpc01dm49400hz 3-фазн. rev.8

dpc01dm69	реле многофункциональное dpc01dm69 3-фазн. rev.3
dpc01dm69400hz	реле многофункциональное dpc01dm69400hz 3-фазн. rev.8
dpc02dm23	реле многофункциональное dpc02dm23 3-фазн. rev.4
dpc02dm23b003	реле многофункциональное dpc02dm23 3-фазн. special
dpc02dm48	реле многофункциональное dpc02dm48 3-фазн. rev.4
dpc02dm49	реле многофункциональное dpc02dm49 3-фазн. rev.4
dwb03cm2310a	реле мощности и cos fi 208-240v
pwb03cm2310a	реле мощности и cos fi 208-240v
dwa01cm235a	реле мощности и cos fi 240vac 1-ph 3-фазн.
dwb01cm2310a	реле мощности и cos fi 240vac 1-ph 3-фазн.
dwb02cm2310a	реле мощности и cos fi 240vac 1-ph 3-фазн.
rwa01cm235a	реле мощности и cos fi 240vac 1-ph 3-фазн.
pwb01cm2310a	реле мощности и cos fi 240vac 1-ph 3-фазн.
pwb02cm2310a	реле мощности и cos fi 240vac 1-ph 3-фазн.
dwb03cm4810a	реле мощности и cos fi 380-480v
pwb03cm4810a	реле мощности и cos fi 380-480v
dwa01cm485a	реле мощности и cos fi 480vac 1-ph 3-фазн.
dwb01cm4810a	реле мощности и cos fi 480vac 1-ph 3-фазн.
dwb02cm4810a	реле мощности и cos fi 480vac 1-ph 3-фазн.
rwa01cm485a	реле мощности и cos fi 480vac 1-ph 3-фазн.
pwb01cm4810a	реле мощности и cos fi 480vac 1-ph 3-фазн.
pwb02cm4810a	реле мощности и cos fi 480vac 1-ph 3-фазн.
dwb01cm6910a	реле мощности и cos fi 480vac 3-фазн.
dwb03cm6910a	реле мощности и cos fi 600-690v
dwb02cm6910a	реле мощности и cos fi 690vac 3-фазн.
duc01db23500v	реле напряжения 115-230 vac 2-500v ac/dc
pua01cb23500v	реле напряжения 115-230 vac over 2-500v ac/dc
dub01cb2310v	реле напряжения 115-230 vac over/under 0.1-10 v ac/dc
pub01cb2310v	реле напряжения 115-230 vac over/under 0.1-10 v ac/dc
pub01cb23500v	реле напряжения 115-230 vac over/under 2-500 v ac/dc
pus01cb23500v	реле напряжения 115-230 vac over/under 2-500v ac/dc
ppb01cm23n	реле напряжения 208-240v 3-фазн. over/under voltage relay
ppb02cm23	реле напряжения 240 vac 3-фазн. asymmetry rly
ppb01cm23	реле напряжения 240 vac 3-фазн. over/under volt. rly
dpb02cm23	реле напряжения 240 vac 3-фазн. rly
ppb01cm48n	реле напряжения 380-415v 3-фазн. over/under voltage relay
dpb51cm44	реле напряжения 3-фазн.

ppa01cm44	реле напряжения 3-фазн. loss/seq
ppa01dm23	реле напряжения 3-фазн. loss/seq
ppa01dm48	реле напряжения 3-фазн. loss/seq
ppa02cm23	реле напряжения 3-фазн. loss/seq.
ppa02cm40	реле напряжения 3-фазн. loss/seq.
ppb02cm48	реле напряжения 480 vac 3-фазн. asymmetry rly
ppb01cm48	реле напряжения 480 vac 3-фазн. over/under volt. rly
dra01cm44	реле напряжения dra01cm44 v2r0
dra01cm60	реле напряжения dra01cm60 v1r0
dra01cm69	реле напряжения dra01cm69 rev.0
dra01dm23	реле напряжения dra01dm23 v2r0
dra01dm48	реле напряжения dra01dm48 v2r0
dra02cm23	реле напряжения dra02cm23 v1r0
dra02cm40	реле напряжения dra02cm40 v1r0
dra03cm23	реле напряжения dra03cm23 3-фазн. rev.4
dra03cm48	реле напряжения dra03cm48 3-фазн. rev.4
dra03cm69	реле напряжения dra03cm69 3-фазн. rev.4
dra51cm44	реле напряжения dra51cm44 3-фазн. rev.0
dra53cm23	реле напряжения dra53cm23 3-фазн. rev.1
dra53cm48	реле напряжения dra53cm48 3-фазн. rev.1
dra55cm44	реле напряжения dra55cm44 3-фазн. rev.2
dra71dm23	реле напряжения dra71dm23 3-фазн. rev.1
dra71dm48	реле напряжения dra71dm48 3-фазн. rev.1
drb01cm23	реле напряжения drb01cm23 3-фазн. rev.2
drb01cm23n	реле напряжения drb01cm23n 3-фазн. rev.3
drb01cm48	реле напряжения drb01cm48 3-фазн. rev.2
drb01cm48n	реле напряжения drb01cm48n 3-фазн. rev.3
drb01cm48nw4	реле напряжения drb01cm48nw4 3-фазн. rev.3
drb01cm48w4	реле напряжения drb01cm48w4 3-фазн. rev.3
drb02cm48	реле напряжения drb02cm48 3-фазн. rev.2
drb71cm23	реле напряжения drb71cm23 3-фазн. rev.8
drb71cm48	реле напряжения drb71cm48 3-фазн. rev.8
dua01cb23500v	реле напряжения dua01cb23500v rev.0
dua52c724	реле напряжения dua52c724 dc rev.0
dua52c748	реле напряжения dua52c748 dc rev.0
dua55cm44	реле напряжения dua55cm44 1-phase rev.2
dub01cb23500v	реле напряжения dub01cb23500v rev.1

dub02ct23	реле напряжения dub02ct23 rev.0
dub03cw24	реле напряжения dub03cw24 rev.2
dub71cb2310v	реле напряжения dub71cb2310v rev.4
dub71cb23500v	реле напряжения dub71cb23500v rev.4
dub71cb4810v	реле напряжения dub71cb4810v rev.4
dub71cb48500v	реле напряжения dub71cb48500v rev.4
pub02ct23	реле напряжения over/under
ppa03cm23	реле напряжения ppa03cm23 3-фазн. sequence/phase loss relay rev.4
ppa03cm48	реле напряжения ppa03cm48 3-фазн. sequence/phase loss relay rev.4
ppb01cm48nw4	реле напряжения ppb01cm48nw4 3-фазн. voltage level relay rev.3
ppb01cm48w4	реле напряжения ppb01cm48w4 3-фазн. voltage level relay rev.3
pub03cw24	реле напряжения pub03cw24 over-under rev.2
dua01cd48500v	реле напряжения replacement of dua01c724500v, dua01c748500v, dua01cb48500v
dub01cd4810v	реле напряжения replacement of dub01c72410v, dub01c74810v, dub01cb4810v
dub01cd48500v	реле напряжения replacement of dub01c724500v, dub01c748500v, dub01cb48500v
duc01dd48500v	реле напряжения replacement of duc01d724500v, duc01d748500v, duc01db48500v
pua01cd48500v	реле напряжения replacement of pua01c724500v, pua01c748500v, pua01cb48500v
pub01cd4810v	реле напряжения replacement of pub01c72410v, pub01c74810v, pub01cb4810v
pub01cd48500v	реле напряжения replacement of pub01c724500v, pub01c748500v, pub01cb48500v
puc01cd48500v	реле напряжения replacement of puc01c724500v, puc01c748500v, puc01cb48500v
ra12110h06ncs	реле отслеживания zs 120v 110a,npn,nc
ra12110h06nos	реле отслеживания zs 120v 110a,npn,no
ra12110h06pcs	реле отслеживания zs 120v 110a,pnp,nc
ra12110h06pos	реле отслеживания zs 120v 110a,pnp,no
ra1225h06ncs	реле отслеживания zs 120v 25a,npn,nc
ra1225h06nos	реле отслеживания zs 120v 25a,npn,no
ra1225h06pcs	реле отслеживания zs 120v 25a,pnp,nc
ra1225h06pos	реле отслеживания zs 120v 25a,pnp,no
ra1250h06ncs	реле отслеживания zs 120v 50a,npn,nc
ra1250h06nos	реле отслеживания zs 120v 50a,npn,no
ra1250h06pcs	реле отслеживания zs 120v 50a,pnp,nc
ra1250h06pos	реле отслеживания zs 120v 50a,pnp,no
ra1290h06ncs	реле отслеживания zs 120v 90a,npn,nc
ra1290h06nos	реле отслеживания zs 120v 90a,npn,no
ra1290h06pcs	реле отслеживания zs 120v 90a,pnp,nc
ra1290h06pos	реле отслеживания zs 120v 90a,pnp,no
ra23110h06ncs	реле отслеживания zs 230v 110a,npn,nc

ra23110h06nos	реле отслеживания zs 230v 110a,npn,no
ra23110h06pcs	реле отслеживания zs 230v 110a,pnp,nc
ra23110h06pos	реле отслеживания zs 230v 110a,pnp,no
ra2325h06ncs	реле отслеживания zs 230v 25a,npn,nc
ra2325h06nos	реле отслеживания zs 230v 25a,npn,no
ra2325h06pcs	реле отслеживания zs 230v 25a,pnp,nc
ra2325h06pos	реле отслеживания zs 230v 25a,pnp,no
ra2350h06ncs	реле отслеживания zs 230v 50a,npn,nc
ra2350h06nos	реле отслеживания zs 230v 50a,npn,no
ra2350h06pcs	реле отслеживания zs 230v 50a,pnp,nc
ra2350h06pos	реле отслеживания zs 230v 50a,pnp,no
ra2390h06ncs	реле отслеживания zs 230v 90a,npn,nc
ra2390h06nos	реле отслеживания zs 230v 90a,npn,no
ra2390h06pcs	реле отслеживания zs 230v 90a,pnp,nc
ra2390h06pos	реле отслеживания zs 230v 90a,pnp,no
ra40110h10ncs	реле отслеживания zs 400v 110a,npn,nc
ra40110h10nos	реле отслеживания zs 400v 110a,npn,no
ra40110h10pcs	реле отслеживания zs 400v 110a,pnp,nc
ra40110h10pos	реле отслеживания zs 400v 110a,pnp,no
ra4025h10ncs	реле отслеживания zs 400v 25a,npn,nc
ra4025h10nos	реле отслеживания zs 400v 25a,npn,no
ra4025h10pcs	реле отслеживания zs 400v 25a,pnp,nc
ra4025h10pos	реле отслеживания zs 400v 25a,pnp,no
ra4050h10ncs	реле отслеживания zs 400v 50a,npn,nc
ra4050h10nos	реле отслеживания zs 400v 50a,npn,no
ra4050h10pcs	реле отслеживания zs 400v 50a,pnp,nc
ra4050h10pos	реле отслеживания zs 400v 50a,pnp,no
ra4090h10ncs	реле отслеживания zs 400v 90a,npn,nc
ra4090h10nos	реле отслеживания zs 400v 90a,npn,no
ra4090h10pcs	реле отслеживания zs 400v 90a,pnp,nc
ra4090h10pos	реле отслеживания zs 400v 90a,pnp,no
ra48110h12ncs	реле отслеживания zs 480v 110a,npn,nc
ra48110h12nos	реле отслеживания zs 480v 110a,npn,no
ra48110h12pcs	реле отслеживания zs 480v 110a,pnp,nc
ra48110h12pos	реле отслеживания zs 480v 110a,pnp,no
ra4825h12ncs	реле отслеживания zs 480v 25a,npn,nc
ra4825h12nos	реле отслеживания zs 480v 25a,npn,no

ra4825h12pcs	реле отслеживания zs 480v 25a,pnp,nc
ra4825h12pcss18	реле отслеживания zs 480v 25a,pnp,nc — special version
ra4825h12pos	реле отслеживания zs 480v 25a,pnp,no
ra4850h12ncs	реле отслеживания zs 480v 50a,npn,nc
ra4850h12nos	реле отслеживания zs 480v 50a,npn,no
ra4850h12pcs	реле отслеживания zs 480v 50a,pnp,nc
ra4850h12pos	реле отслеживания zs 480v 50a,pnp,no
ra4890h12ncs	реле отслеживания zs 480v 90a,npn,nc
ra4890h12nos	реле отслеживания zs 480v 90a,npn,no
ra4890h12pcs	реле отслеживания zs 480v 90a,pnp,nc
ra4890h12pos	реле отслеживания zs 480v 90a,pnp,no
rmia210110vdc	реле промышленное мини — 2x10a
rmia210115/120vac	реле промышленное мини — 2x10a
rmia21012vac	реле промышленное мини — 2x10a
rmia21012vdc	реле промышленное мини — 2x10a
rmia210230vac	реле промышленное мини — 2x10a
rmia21024vac	реле промышленное мини — 2x10a
rmia21024vdc	реле промышленное мини — 2x10a
rmia21036vac	реле промышленное мини — 2x10a
rmia21048vac	реле промышленное мини — 2x10a
rmia21048vdc	реле промышленное мини — 2x10a
rmia21060vdc	реле промышленное мини — 2x10a
rmia2106vac	реле промышленное мини — 2x10a
rmib21006vac	реле промышленное мини — 2x10a
rmib210110vdc	реле промышленное мини — 2x10a
rmib210115/120vac	реле промышленное мини — 2x10a
rmib21012vac	реле промышленное мини — 2x10a
rmib21012vdc	реле промышленное мини — 2x10a
rmib210230vac	реле промышленное мини — 2x10a
rmib21024vac	реле промышленное мини — 2x10a
rmib21024vdc	реле промышленное мини — 2x10a
rmib21036vac	реле промышленное мини — 2x10a
rmib21048vac	реле промышленное мини — 2x10a
rmib21048vdc	реле промышленное мини — 2x10a
rmib21060vdc	реле промышленное мини — 2x10a
rmia4506vac	реле промышленное мини — 4x5a
rmia45110vdc	реле промышленное мини — 4x5a

rmia45115/120vac	реле промышленное мини — 4x5a
rmia4512vac	реле промышленное мини — 4x5a
rmia4512vdc	реле промышленное мини — 4x5a
rmia45230vac	реле промышленное мини — 4x5a
rmia4524vac	реле промышленное мини — 4x5a
rmia4524vdc	реле промышленное мини — 4x5a
rmia4536vac	реле промышленное мини — 4x5a
rmia4548vac	реле промышленное мини — 4x5a
rmia4548vdc	реле промышленное мини — 4x5a
rmia455vdc	реле промышленное мини — 4x5a
rmia4560vdc	реле промышленное мини — 4x5a
rmia456vdc	реле промышленное мини — 4x5a
rmib4506vac	реле промышленное мини — 4x5a
rmib45110/115vac	реле промышленное мини — 4x5a
rmib45110vdc	реле промышленное мини — 4x5a
rmib4512vac	реле промышленное мини — 4x5a
rmib4512vdc	реле промышленное мини — 4x5a
rmib45230vac	реле промышленное мини — 4x5a
rmib4524vac	реле промышленное мини — 4x5a
rmib4524vdc	реле промышленное мини — 4x5a
rmib4536vac	реле промышленное мини — 4x5a
rmib4548vac	реле промышленное мини — 4x5a
rmib4548vdc	реле промышленное мини — 4x5a
rmib455vdc	реле промышленное мини — 4x5a
rmib4560vdc	реле промышленное мини — 4x5a
rmib456vdc	реле промышленное мини — 4x5a
rmia210110dc	реле промышленное мини -высокий пусковой 2x10a
rmia210120ac	реле промышленное мини -высокий пусковой 2x10a
rmia21012ac	реле промышленное мини -высокий пусковой 2x10a
rmia21012dc	реле промышленное мини -высокий пусковой 2x10a
rmia210220ac	реле промышленное мини -высокий пусковой 2x10a
rmia210220dc	реле промышленное мини -высокий пусковой 2x10a
rmia210240ac	реле промышленное мини -высокий пусковой 2x10a
rmia210240dc	реле промышленное мини -высокий пусковой 2x10a
rmia21024ac	реле промышленное мини -высокий пусковой 2x10a
rmia21024dc	реле промышленное мини -высокий пусковой 2x10a
rmia21036ac	реле промышленное мини -высокий пусковой 2x10a

rmia210380ac	реле промышленное мини -высокий пусковой 2х10а
rmia21048ac	реле промышленное мини -высокий пусковой 2х10а
rmia21048dc	реле промышленное мини -высокий пусковой 2х10а
rmia21060dc	реле промышленное мини -высокий пусковой 2х10а
rmia2106dc	реле промышленное мини -высокий пусковой 2х10а
rmia2109dc	реле промышленное мини -высокий пусковой 2х10а
rmib21006ac	реле промышленное мини -высокий пусковой 2х10а
rmib210110ac	реле промышленное мини -высокий пусковой 2х10а
rmib210110dc	реле промышленное мини -высокий пусковой 2х10а
rmib210120ac	реле промышленное мини -высокий пусковой 2х10а
rmib21012ac	реле промышленное мини -высокий пусковой 2х10а
rmib21012dc	реле промышленное мини -высокий пусковой 2х10а
rmib210230ac	реле промышленное мини -высокий пусковой 2х10а
rmib210240ac	реле промышленное мини -высокий пусковой 2х10а
rmib21024ac	реле промышленное мини -высокий пусковой 2х10а
rmib21024dc	реле промышленное мини -высокий пусковой 2х10а
rmib21036ac	реле промышленное мини -высокий пусковой 2х10а
rmib210380ac	реле промышленное мини -высокий пусковой 2х10а
rmib21048ac	реле промышленное мини -высокий пусковой 2х10а
rmib21048dc	реле промышленное мини -высокий пусковой 2х10а
rmib21060dc	реле промышленное мини -высокий пусковой 2х10а
rmib2106dc	реле промышленное мини -высокий пусковой 2х10а
rmib2109dc	реле промышленное мини -высокий пусковой 2х10а
rmia3706ac	реле промышленное мини -высокий пусковой 3х7а
rmia37110dc	реле промышленное мини -высокий пусковой 3х7а
rmia3712ac	реле промышленное мини -высокий пусковой 3х7а
rmia3712dc	реле промышленное мини -высокий пусковой 3х7а
rmia37220dc	реле промышленное мини -высокий пусковой 3х7а
rmia37240dc	реле промышленное мини -высокий пусковой 3х7а
rmia3724ac	реле промышленное мини -высокий пусковой 3х7а
rmia3724dc/1/2/3	реле промышленное мини -высокий пусковой 3х7а
rmia373110ac	реле промышленное мини -высокий пусковой 3х7а
rmia373120ac	реле промышленное мини -высокий пусковой 3х7а
rmia373220ac	реле промышленное мини -высокий пусковой 3х7а
rmia373240ac	реле промышленное мини -высокий пусковой 3х7а
rmia373380ac	реле промышленное мини -высокий пусковой 3х7а
rmia37348ac	реле промышленное мини -высокий пусковой 3х7а

rmia3736ac	реле промышленное мини -высокий пусковой 3x7a
rmia3736dc	реле промышленное мини -высокий пусковой 3x7a
rmia3748dc	реле промышленное мини -высокий пусковой 3x7a
rmia375dc	реле промышленное мини -высокий пусковой 3x7a
rmia3760dc	реле промышленное мини -высокий пусковой 3x7a
rmia376dc	реле промышленное мини -высокий пусковой 3x7a
rmia379dc	реле промышленное мини -высокий пусковой 3x7a
rmiab73220ac	реле промышленное мини -высокий пусковой 3x7a
rmiab73240ac	реле промышленное мини -высокий пусковой 3x7a
rmiab73380ac	реле промышленное мини -высокий пусковой 3x7a
rmib3706ac	реле промышленное мини -высокий пусковой 3x7a
rmib37110dc	реле промышленное мини -высокий пусковой 3x7a
rmib3712ac	реле промышленное мини -высокий пусковой 3x7a
rmib3712dc	реле промышленное мини -высокий пусковой 3x7a
rmib37220dc	реле промышленное мини -высокий пусковой 3x7a
rmib37240dc	реле промышленное мини -высокий пусковой 3x7a
rmib3724ac	реле промышленное мини -высокий пусковой 3x7a
rmib3724dc	реле промышленное мини -высокий пусковой 3x7a
rmib373110ac	реле промышленное мини -высокий пусковой 3x7a
rmib373120ac	реле промышленное мини -высокий пусковой 3x7a
rmib37348ac	реле промышленное мини -высокий пусковой 3x7a
rmib3736ac	реле промышленное мини -высокий пусковой 3x7a
rmib3748dc	реле промышленное мини -высокий пусковой 3x7a
rmib375dc	реле промышленное мини -высокий пусковой 3x7a
rmib3760dc	реле промышленное мини -высокий пусковой 3x7a
rmib376dc	реле промышленное мини -высокий пусковой 3x7a
rmib379dc	реле промышленное мини -высокий пусковой 3x7a
rmia4506ac	реле промышленное мини -высокий пусковой 4x5a
rmia45100dc	реле промышленное мини -высокий пусковой 4x5a
rmia45110ac	реле промышленное мини -высокий пусковой 4x5a
rmia45110dc	реле промышленное мини -высокий пусковой 4x5a
rmia45120ac	реле промышленное мини -высокий пусковой 4x5a
rmia4512ac	реле промышленное мини -высокий пусковой 4x5a
rmia4512dc	реле промышленное мини -высокий пусковой 4x5a
rmia45220ac	реле промышленное мини -высокий пусковой 4x5a
rmia45220dc	реле промышленное мини -высокий пусковой 4x5a
rmia45240ac	реле промышленное мини -высокий пусковой 4x5a

rmia45240dc	реле промышленное мини -высокий пусковой 4х5а
rmia4524ac	реле промышленное мини -высокий пусковой 4х5а
rmia4524dc	реле промышленное мини -высокий пусковой 4х5а
rmia4536ac	реле промышленное мини -высокий пусковой 4х5а
rmia45380ac	реле промышленное мини -высокий пусковой 4х5а
rmia4548ac	реле промышленное мини -высокий пусковой 4х5а
rmia4548dc	реле промышленное мини -высокий пусковой 4х5а
rmia4560dc	реле промышленное мини -высокий пусковой 4х5а
rmia456dc	реле промышленное мини -высокий пусковой 4х5а
rmia459dc	реле промышленное мини -высокий пусковой 4х5а
rmib4506ac	реле промышленное мини -высокий пусковой 4х5а
rmib45110ac	реле промышленное мини -высокий пусковой 4х5а
rmib45110dc	реле промышленное мини -высокий пусковой 4х5а
rmib45120ac	реле промышленное мини -высокий пусковой 4х5а
rmib4512ac	реле промышленное мини -высокий пусковой 4х5а
rmib4512dc	реле промышленное мини -высокий пусковой 4х5а
rmib45220dc	реле промышленное мини -высокий пусковой 4х5а
rmib45230ac	реле промышленное мини -высокий пусковой 4х5а
rmib45240ac	реле промышленное мини -высокий пусковой 4х5а
rmib45240dc	реле промышленное мини -высокий пусковой 4х5а
rmib4524ac	реле промышленное мини -высокий пусковой 4х5а
rmib4524dc	реле промышленное мини -высокий пусковой 4х5а
rmib4536ac	реле промышленное мини -высокий пусковой 4х5а
rmib45380ac	реле промышленное мини -высокий пусковой 4х5а
rmib4548ac	реле промышленное мини -высокий пусковой 4х5а
rmib4548dc	реле промышленное мини -высокий пусковой 4х5а
rmib4560dc	реле промышленное мини -высокий пусковой 4х5а
rmib456dc	реле промышленное мини -высокий пусковой 4х5а
rmib459dc	реле промышленное мини -высокий пусковой 4х5а
nba100100fl	реле силовое — monostable
nba100110fl	реле силовое — monostable
nba100115de	реле силовое — monostable
nba100115dl	реле силовое — monostable
nba100115fe	реле силовое — monostable
nba100115se	реле силовое — monostable
nba100115sl	реле силовое — monostable
nba10012de	реле силовое — monostable

nba10012dl	реле силовое — monostable
nba10012fe	реле силовое — monostable
nba10012fl	реле силовое — monostable
nba10012se	реле силовое — monostable
nba10012sl	реле силовое — monostable
nba100220dl	реле силовое — monostable
nba100230de	реле силовое — monostable
nba100230fe	реле силовое — monostable
nba100230se	реле силовое — monostable
nba100230sl	реле силовое — monostable
nba10024de	реле силовое — monostable
nba10024dl	реле силовое — monostable
nba10024fe	реле силовое — monostable
nba10024fl	реле силовое — monostable
nba10024se	реле силовое — monostable
nba10024sl	реле силовое — monostable
nba10048de	реле силовое — monostable
nba10048dl	реле силовое — monostable
nba10048fe	реле силовое — monostable
nba10048fl	реле силовое — monostable
nba10048se	реле силовое — monostable
nba10048sl	реле силовое — monostable
nba200110sl	реле силовое — monostable
nba200115de	реле силовое — monostable
nba200115dl	реле силовое — monostable
nba200115fe	реле силовое — monostable
nba200115fl	реле силовое — monostable
nba200115se	реле силовое — monostable
nba20012de	реле силовое — monostable
nba20012dl	реле силовое — monostable
nba20012fe	реле силовое — monostable
nba20012fl	реле силовое — monostable
nba20012se	реле силовое — monostable
nba20012sl	реле силовое — monostable
nba200230de	реле силовое — monostable
nba200230dl	реле силовое — monostable
nba200230fe	реле силовое — monostable

nba200230fl	реле силовое — monostable
nba200230se	реле силовое — monostable
nba200230sl	реле силовое — monostable
nba20024de	реле силовое — monostable
nba20024dl	реле силовое — monostable
nba20024fe	реле силовое — monostable
nba20024fl	реле силовое — monostable
nba20024se	реле силовое — monostable
nba20024sl	реле силовое — monostable
nba20048de	реле силовое — monostable
nba20048dl	реле силовое — monostable
nba20048fe	реле силовое — monostable
nba20048fl	реле силовое — monostable
nba20048se	реле силовое — monostable
nba20048sl	реле силовое — monostable
nba2006dl	реле силовое — monostable
nba2006se	реле силовое — monostable
nba2006sl	реле силовое — monostable
nbd100100de	реле силовое — monostable
nbd100100dl	реле силовое — monostable
nbd100100fe	реле силовое — monostable
nbd100100fl	реле силовое — monostable
nbd100100se	реле силовое — monostable
nbd100100sl	реле силовое — monostable
nbd100110de	реле силовое — monostable
nbd100110dl	реле силовое — monostable
nbd100110fe	реле силовое — monostable
nbd100110fl	реле силовое — monostable
nbd100110se	реле силовое — monostable
nbd100110sl	реле силовое — monostable
nbd10012de	реле силовое — monostable
nbd10012dl	реле силовое — monostable
nbd10012fe	реле силовое — monostable
nbd10012fl	реле силовое — monostable
nbd10012se	реле силовое — monostable
nbd10012sl	реле силовое — monostable
nbd10024de	реле силовое — monostable

nbd10024dl	реле силовое — monostable
nbd10024fe	реле силовое — monostable
nbd10024fl	реле силовое — monostable
nbd10024se	реле силовое — monostable
nbd10024sl	реле силовое — monostable
nbd10048de	реле силовое — monostable
nbd10048dl	реле силовое — monostable
nbd10048fe	реле силовое — monostable
nbd10048fl	реле силовое — monostable
nbd10048se	реле силовое — monostable
nbd10048sl	реле силовое — monostable
nbd1006de	реле силовое — monostable
nbd1006dl	реле силовое — monostable
nbd1006fe	реле силовое — monostable
nbd1006fl	реле силовое — monostable
nbd1006se	реле силовое — monostable
nbd1006sl	реле силовое — monostable
nbd200100de	реле силовое — monostable
nbd200100dl	реле силовое — monostable
nbd200100fe	реле силовое — monostable
nbd200100fl	реле силовое — monostable
nbd200100se	реле силовое — monostable
nbd200100sl	реле силовое — monostable
nbd200110de	реле силовое — monostable
nbd200110dl	реле силовое — monostable
nbd200110fe	реле силовое — monostable
nbd200110fl	реле силовое — monostable
nbd200110se	реле силовое — monostable
nbd200110sl	реле силовое — monostable
nbd20012de	реле силовое — monostable
nbd20012dl	реле силовое — monostable
nbd20012fe	реле силовое — monostable
nbd20012fl	реле силовое — monostable
nbd20012se	реле силовое — monostable
nbd20012sl	реле силовое — monostable
nbd20024de	реле силовое — monostable
nbd20024dl	реле силовое — monostable

nbd20024fe	реле силовое — monostable
nbd20024fl	реле силовое — monostable
nbd20024se	реле силовое — monostable
nbd20024sl	реле силовое — monostable
nbd20048de	реле силовое — monostable
nbd20048dl	реле силовое — monostable
nbd20048fe	реле силовое — monostable
nbd20048fl	реле силовое — monostable
nbd20048se	реле силовое — monostable
nbd20048sl	реле силовое — monostable
nbd2006de	реле силовое — monostable
nbd2006dl	реле силовое — monostable
nbd2006fe	реле силовое — monostable
nbd2006fl	реле силовое — monostable
nbd2006se	реле силовое — monostable
nbd2006sl	реле силовое — monostable
npa100115	реле силовое — monostable
npa100115se	реле силовое — monostable
npa10012	реле силовое — monostable
npa10012se	реле силовое — monostable
npa100230	реле силовое — monostable
npa100230se	реле силовое — monostable
npa10024	реле силовое — monostable
npa10024se	реле силовое — monostable
npa10048	реле силовое — monostable
npa10048se	реле силовое — monostable
npa200115	реле силовое — monostable
npa200115se	реле силовое — monostable
npa20012	реле силовое — monostable
npa20012se	реле силовое — monostable
npa200230	реле силовое — monostable
npa200230se	реле силовое — monostable
npa20024	реле силовое — monostable
npa20024se	реле силовое — monostable
npa20048	реле силовое — monostable
npa20048se	реле силовое — monostable
cf30a002120	реле силовое — высокая выходная мощность

cf30a002220	реле силовое — высокая выходная мощность
cf30a00224	реле силовое — высокая выходная мощность
cf30a002240	реле силовое — высокая выходная мощность
cf30a002277	реле силовое — высокая выходная мощность
cf30a200120	реле силовое — высокая выходная мощность
cf30a200220	реле силовое — высокая выходная мощность
cf30a20024	реле силовое — высокая выходная мощность
cf30a200240	реле силовое — высокая выходная мощность
cf30a200277	реле силовое — высокая выходная мощность
cf30d002110	реле силовое — высокая выходная мощность
cf30d00212	реле силовое — высокая выходная мощность
cf30d00224	реле силовое — высокая выходная мощность
cf30d00248	реле силовое — высокая выходная мощность
cf30d0026	реле силовое — высокая выходная мощность
cf30d200110	реле силовое — высокая выходная мощность
cf30d20012	реле силовое — высокая выходная мощность
cf30d20024	реле силовое — высокая выходная мощность
cf30d20048	реле силовое — высокая выходная мощность
cf30d2006	реле силовое — высокая выходная мощность
cs30a002120	реле силовое — высокая выходная мощность
cs30a002220	реле силовое — высокая выходная мощность
cs30a00224	реле силовое — высокая выходная мощность
cs30a002240	реле силовое — высокая выходная мощность
cs30a200120	реле силовое — высокая выходная мощность
cs30a200220	реле силовое — высокая выходная мощность
cs30a20024	реле силовое — высокая выходная мощность
cs30a200240	реле силовое — высокая выходная мощность
cs30d002110	реле силовое — высокая выходная мощность
cs30d00212	реле силовое — высокая выходная мощность
cs30d00224	реле силовое — высокая выходная мощность
cs30d00248	реле силовое — высокая выходная мощность
cs30d200110	реле силовое — высокая выходная мощность
cs30d20012	реле силовое — высокая выходная мощность
cs30d20024	реле силовое — высокая выходная мощность
cs30d20048	реле силовое — высокая выходная мощность
pta01c115	реле температуры 115 vac
pta02c115	реле температуры 115 vac

dta01c230	реле температуры 230 vac
dta02c230	реле температуры 230 vac
pta01c230	реле температуры 230 vac
pta02c230	реле температуры 230 vac
dta01c115	реле температуры dta01c115 rev.4
dta02c115	реле температуры dta02c115 rev.4
dta01cd48	реле температуры replacement of dta01c724, dta01c024
dta02cd48	реле температуры replacement of dta02c724, dta02c024
pta01cd48	реле температуры replacement of pta01c724, pta01c024
pta02cd48	реле температуры replacement of pta02c724, pta02c024
pia01cb235a	реле тока 115-230 vac over 0.5-5 a ac/dc
dib01cb235a	реле тока 115-230 vac over/under 0.1-5 a ac/dc
pib01cb235a	реле тока 115-230 vac over/under 0.1-5 a ac/dc
dib01cb235ma	реле тока 115-230 vac over/under 0.1-5 ma ac/dc
pib01cb235ma	реле тока 115-230 vac over/under 0.1-5 ma ac/dc
dib01cb23500ma	реле тока 115-230 vac over/under 10-500 ma ac/dc
pib01cb23500ma	реле тока 115-230 vac over/under 10-500 ma ac/dc
pib01cb2310a	реле тока 115-230 vac over/under 1-10 a ac/dc
dib01cb2350ma	реле тока 115-230 vac over/under 1-50 ma ac/dc
dib71cb2350ma	реле тока 115-230 vac over/under 1-50 ma ac/dc
pib01cb2350ma	реле тока 115-230 vac over/under 1-50 ma ac/dc
pib02cb23150mv	реле тока 115-230 vac over/under w/shunt
pic01cb23av0	реле тока 115-230 vac process signal rly
dia53s72420a	реле тока 20aac
dib71cb485a	реле тока 24-48 vac over/under 0.1-5 a ac/dc
dib71cb485ma	реле тока 24-48 vac over/under 0.1-5 ma ac/dc
dia01cb235a	реле тока dia01cb235a rev.0
dia53s724100a	реле тока dia53s724100a ac rev.2
dia53s724100af	реле тока dia53s724100af ac rev.2
dia53s72420af	реле тока dia53s72420af ac rev.2
dia53s72450a	реле тока dia53s72450a ac rev.2
dia53s72450af	реле тока dia53s72450af ac rev.2
dib01cb2310a	реле тока dib01cb2310a rev.1
dib01cm24100a	реле тока dib01cm24100a rev.4
dib02cb23150mv	реле тока dib02cb23150mv rev.0
dib71cb23500ma	реле тока dib71cb23500ma rev.6
dib71cb235a	реле тока dib71cb235a rev.6

dib71cb235ma	реле тока dib71cb235ma rev.6
dib71cb48500ma	реле тока dib71cb48500ma rev.6
dib71cb4850ma	реле тока dib71cb4850ma rev.6
dic01db23av0	реле тока dic01db23av0 rev.1
dia01cd485a	реле тока replacement of dia01c7245a, dia01c7485a, dia01cb485a
dib01cd4810a	реле тока replacement of dib01c72410a, dib01cb4810a, dib01c74810a
dib01cd48500ma	реле тока replacement of dib01c724500ma, dib01c748500ma, dib01cb48500ma
dib01cd4850ma	реле тока replacement of dib01c72450ma, dib01c74850ma, dib01cb4850ma
dib01cd485a	реле тока replacement of dib01c7245a, dib01c7485a, dib01cb485a
dib01cd485ma	реле тока replacement of dib01c7245ma, dib01c7485ma, dib01cb485ma
dib02cd48150mv	реле тока replacement of dib02c724150mv, dib01c748150mv, dib02cb48150mv
dic01dd48av0	реле тока replacement of dic01d724av0, dic01d748av0, dic01db48av0
pia01cd485a	реле тока replacement of pia01c7245a, pia01c7485a, pia01cb485a
pib01cd4810a	реле тока replacement of pib01c72410a, pib01c74810a, pib01cb4810a
pib01cd48500ma	реле тока replacement of pib01c724500ma, pib01c748500ma, pib01cb48500ma
pib01cd4850ma	реле тока replacement of pib01c72450ma, pib01c74850ma, pib01cb4850ma
pib01cd485a	реле тока replacement of pib01c7245a, pib01c7485a, pib01cb485a
pib01cd485ma	реле тока replacement of pib01c7245ma, pib01c7485ma, pib01cb485ma
pib02cd48150mv	реле тока replacement of pib02c724150mv, pi02c748150mv, pib02cb48150mv
pic01cd48av0	реле тока replacement of pic01c724av0, pic01c748av0, pic01cb48av0
pfb01cm24	реле частоты
dfb01cm24	реле частоты dfb01cm24 rev.0
dfc01db23	реле частоты dfc01db23 rev.1
dfc01db48	реле частоты dfc01db48 rev.1

[caption id="attachment_3019567" align="alignleft" width="659"]

RS1A23D25



Загрузки



Твердотельное реле RS1A23D25[/caption]

RS1A23D25

Ток - 25 AAC

Управляющее напряжение - 3 - 32 VDC

Ширина - 45 мм

Монтаж - Монтаж на панель

Ток - 11 - 25 AAC

Напряжение - 230 VAC

Тип переключения - Переключение в нуле

Количество полюсов - 1

Тип управления - DC - дискретный

Подключение - Винтовое

Печатная плата - Трехсторонняя 3025

RS1A23D25 1Smart симистор твердотельные реле 25A 220 В, Выход 24-280VAC Вход 3 В
5 В 12 В 24 В 32 В AC DC CCP реле коммутатор
230, vacrms, 650, vp, 3-32, vdc, rs1a23d10, rs1a23d25, rs1a23d40
18-36, vac/dc, rs1a23la10, rs1a23la25, rs1a23la40
400, vacrms, 850, vp, 4-32, vdc, rs1a40d10, rs1a40d25, rs1a40d40
18-36, vac/dc, rs1a40la10, rs1a40la25, rs1a40la40
480, vacrms, 1200, vp, 4-32, vdc, rs1a48d10, rs1a48d25, rs1a48d40
18-36, vac/dc, rs1a48la10, rs1a48la25, rs1a48la40

Przełączniki półprzewodnikowe 1-fazowe, załączające w zerze, przemysłowe



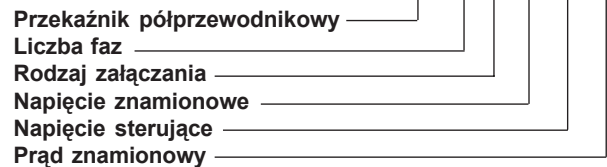
- przełącznik półprzewodnikowy AC
- załączanie w zerze
- wyjście typu TRIAK - niski koszt
- prąd znamionowy 10, 25 i 40 AACrms
- niepowtarzalne szczytowe napięcie blokowania: do 1200 Vp
- zakres znamionowego napięcia obciążenia: do 480 VACrms
- zakresy napięcia sterującego: 4,5-32 VDC i 18-36 VAC/DC
- separacja galwaniczna wejście - wyjście: 4 kVACrms
- osłona przełącznika - IP20
- wskaźnik zadziałania - LED

Opis

Wersja przełącznika załączającego w zerze napięcia z triakiem (10 A) lub alternistorem (25 i 40 A) - jako końcówką mocy jest niedrogim rozwiązaniem umożliwiającym sterowanie obciążeniami rezystancyjnymi. Moment załączenia w przełącznikach załączających w zerze następuje w momencie przejścia napięcia przez zero, a jego wyłączenie - w momencie gdy wartość prądu osiągnie zero. Osłona zacisków przełącznika zapewnia ochronę IP20.

Kod zamówieniowy

RS 1 A 23 D 25



Podstawowe dane techniczne

Rodzaj załączania	Napięcie znamionowe	Prąd znamionowy	Napięcia sterujące
A: załączanie w zerze	23: 230 VACrms 40: 400 VACrms 48: 480 VACrms	10: 10 AACrms 25: 25 AACrms 40: 40 AACrms	LA: 18-36 VAC/VDC D: 4,5-32 VDC

Typ

Napięcie znamionowe	Niepowtarzalne szczytowe napięcie blokowania	Napięcia sterujące	Prąd znamionowy		
			10 A	25 A	40 A
230 VACrms	650 Vp	4,5-32 VDC 18-36 VAC/DC	RS1A23D10 RS1A23LA10	RS1A23D25 RS1A23LA25	RS1A23D40 RS1A23LA40
400 VACrms	850 Vp	4,5-32 VDC 18-36 VAC/DC	RS1A40D10 RS1A40LA10	RS1A40D25 RS1A40LA25	RS1A40D40 RS1A40LA40
480 VACrms	1200 Vp	4,5-32 VDC 18-36 VAC/DC	RS1A48D10 RS1A48LA10	RS1A48D25 RS1A48LA25	RS1A48D40 RS1A48LA40

Specyfikacja ogólna

	RS1A23...	RS1A40...	RS1A48...
Znamionowy zakres napięcia obciążenia	24 do 265 VACrms	40 do 440 VACrms	40 do 530 VACrms
Niepowtarzalne szczytowe napięcie w zerze	≥ 650 Vp	≥ 850 Vp	≥ 1200 Vp
Napięcie załączenia "w zerze"	≤ 15 V	≤ 15 V	≤ 15 V
Częstotliwość znamionowa	45 do 65 Hz	45 do 65 Hz	45 do 65 Hz
Współczynnik mocy	$\geq 0,95$ przy 230 VACrms	$\geq 0,95$ przy 400 VACrms	$\geq 0,95$ przy 480 VACrms
Uznania / aprobaty	UL, CSA		
Znak CE	Tak		

Wejście sterujące

	RS1A..D..	RS1A..LA
Zakres napięcia sterującego	4,5-32 VDC	18-36 VAC/DC
Gwarantowane napięcie załączenia	$\leq 4,25$	≤ 18 VAC/DC
Dopuszczalne napięcie wsteczne	≤ 32 VDC	-
Gwarantowane napięcie wyłączenia	≥ 1 VDC	≥ 5 VAC/DC
Prąd wejściowy przy maksymalnym napięciu wejściowym	≤ 12 mA	≤ 15 mA
Czas załączenia	$\leq 1/2$ cyklu	≤ 1 cykl
Czas wyłączenia	$\leq 1/2$ cyklu	≤ 2 cykle

Wyjście mocy

	RS1A...10	RS1A...25	RS1A...40
Znamionowy prąd obciążenia AC1 przy $T_a = 25^\circ\text{C}$	10 Arms	25 Arms	40 Arms
Minimalny prąd obciążenia	150 mA	150 mA	150 mA
Maks. prąd przeciążeniowy przy $t=1\text{s}$	< 12 AACrms	< 37 AACrms	< 60 AACrms
Maks. niepowtarzalny prąd chwilowy $t=10\text{ms}$	100 Ap	230 Ap	
Prąd upływu	< 3 mArms	< 3 mArms	< 3 mArms
I^2t dla bezpiecznika $t=1-10\text{ms}$	≥ 50 A ² s	≥ 265 A ² s	≥ 450 A ² s
Maks. narost napięcia komutacyjnego dV/dt	≥ 10 A/ μs	≥ 10 A/ μs	≥ 10 A/ μs
Spadek napięcia na złączu przy prądzie znamionowym	$\leq 1,6$ Vrms	$\leq 1,6$ Vrms	$\leq 1,6$ Vrms
Maks. narost napięcia blokowania dV/dt	≥ 250 V/ μs	≥ 250 V/ μs	≥ 250 V/ μs

Warunki termiczne

	RS1A...10	RS1A...25	RS1A...40
Temperatura pracy	-20° do 70°C	-20° do 70°C	-20° do 70°C
Temperatura magazynowania	-40° do 70°C	-40° do 70°C	-40° do 70°C
Maks. temperatura złącza	$\leq 125^\circ\text{C}$	$\leq 125^\circ\text{C}$	$\leq 125^\circ\text{C}$
R_{th} złącze - obudowa	$\leq 4,80$ K/W	$\leq 1,10$ K/W	$\leq 0,90$ K/W
R_{th} złącze - otoczenie	≤ 40 K/W	≤ 20 K/W	≤ 20 K/W

RS1A23..., RS1A40..., RS1A48...

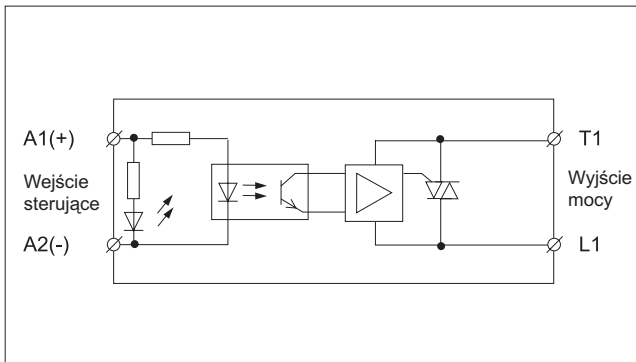
Obudowa

Waga	około 60 g
Materiał obudowy	Noryl GFN 1, czarny
Płytką podstawy	Aluminium
Wypełnienie	Brak
Przełącznik	
Śruba	M5
Moment obrotowy	1,5-2,0 Nm
Zaciski wejścia sterującego	
Śruba / konektor	M3 x 6
Moment obrotowy	0,5 Nm
Zaciski wyjściowe mocy	
Śruba / konektor	M5 x 9
Moment obrotowy	2,4 Nm

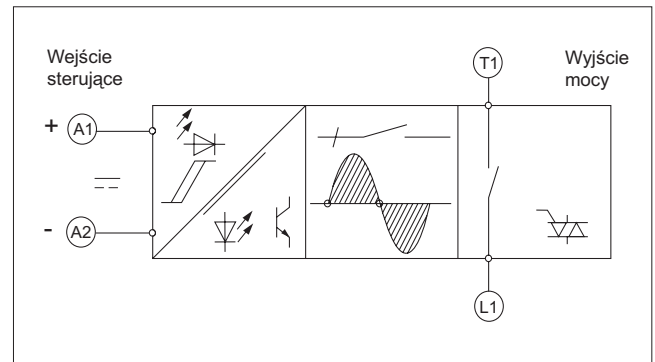
Izolacja wejście - wyjście

Izolacja galwaniczna wejście - wyjście	≥ 4000 VACrms
Izolacja galwaniczna wyjście - obudowa	≥ 4000 VACrms

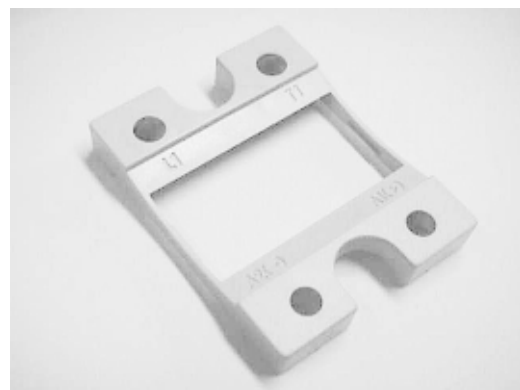
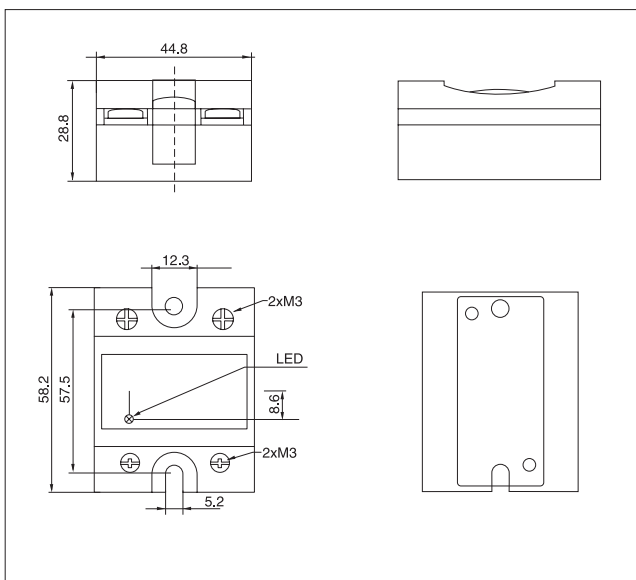
Schemat poglądowy



Schemat funkcjonalny



Wymiary



Określenie rezystancji termicznej

(prąd obciążenia w funkcji temperatury otoczenia)

RS1A...10

	Prąd obciążenia [A]						Rozpraszanie mocy [W]
	20	30	40	50	60	70	
10.0	3.14	2.38	1.61	0.84	0.07	—	14
9.0	4.05	3.17	2.29	1.41	0.53	—	12
8.0	5.21	4.18	3.16	2.13	11.1	0.08	11
7.0	6.72	5.50	4.29	3.07	1.86	0.64	9
6.0	8.76	7.29	5.82	4.35	2.88	1.41	7
5.0	11.65	9.82	7.99	6.16	4.33	2.49	6
4.0	16.0	13.7	11.29	8.90	6.52	4.14	5
3.0	23.5	20.1	16.8	13.5	10.23	6.92	3
2.0	38.4	33.2	28.1	22.9	17.7	12.53	2
1.0	—	—	—	—	—	29.5	1

T_A
Temperatura otoczenia [°C]

RS1A...25

	Prąd obciążenia [A]						Rozpraszanie mocy [W]
	20	30	40	50	60	70	
25.0	1.92	1.61	1.30	1.00	0.69	0.39	33
22.5	2.39	2.04	1.69	1.34	0.99	0.63	28
20.0	3.00	2.59	2.18	1.77	1.36	0.95	24
17.5	3.68	3.19	2.71	2.22	1.74	1.25	21
15.0	4.49	3.90	3.32	2.73	2.14	1.56	17
12.5	5.64	4.91	4.18	3.45	2.72	1.99	14
10.0	7.39	6.44	5.49	4.55	3.60	2.65	11
7.5	10.34	9.03	7.71	6.39	5.07	3.75	8
5.0	16.3	14.2	12.2	10.11	8.05	5.99	5
2.5	—	—	25.7	21.4	17.0	12.7	2

T_A
Temperatura otoczenia [°C]

RS1A...40

	Prąd obciążenia [A]						Rozpraszanie mocy [W]
	20	30	40	50	60	70	
40.0	1.10	0.89	0.68	0.47	0.26	0.05	48
36.0	1.41	1.18	0.94	0.70	0.46	0.22	42
32.0	1.81	1.54	1.26	0.98	0.70	0.43	36
28.0	2.33	2.01	1.68	1.35	1.03	0.70	31
24.0	2.95	2.56	2.16	1.77	1.38	0.98	25
20.0	3.71	3.22	2.73	2.24	1.75	1.27	20
16.0	4.85	4.22	3.59	2.96	2.33	1.69	16
12.0	6.78	5.91	5.03	4.16	3.29	2.41	11
8.0	10.65	9.30	7.94	6.58	5.23	3.87	7
4.0	22.3	19.5	16.7	13.9	11.1	8.25	4

T_A
Temperatura otoczenia [°C]

Dobór radiatora

Porównaj wartość rezystancji termicznej wyznaczonej na podstawie prądu i temperatury pracy przełącznika, znalezionej w tabeli i dobierz radiator o rezystancji termicznej niższej, najbliższej tej wartości.

Radiator	Rezystancja termiczna	Dla mocy rozpraszanej
Radiator nie wymagany	---	---
RHS 100	3,00 K/W	> 25 W
RHS 45A	2,70 K/W	> 60 W
RHS 45B	2,00 K/W	> 60 W
RHS 90	1,35 K/W	> 60 W
RHS 45A plus wentylator	1,35 K/W	> 0 W
RHS 45B plus wentylator	1,20 K/W	> 0 W
RHS 112	1,10 K/W	> 100 W
RHS 301	0,80 K/W	> 70 W
RHS 90 plus wentylator	0,45 K/W	> 0 W
RHS 112 plus wentylator	0,40 K/W	> 0 W
RHS 301 plus wentylator	0,25 K/W	> 0 W
Skontaktuj się ze swoim dystrybutorem	> 0,25 K/W	---

Solid State Relays Industrial, 1-Phase ZS w. LED Types RS 23, RS 40, RS 48



- Zero switching AC Solid State Relay
- Direct copper bonding (DCB) technology in 25A and 40A types
- LED indication
- Clip-on IP 20 protection cover
- Self-lifting terminals
- Housing free of moulding mass
- 2 input ranges: 4-32 VDC and 18-36 VAC/VDC
- Operational ratings up to 40 AACrms and 480 VAC
- Blocking voltage: Up to 1200 V_p
- Opto-isolation: > 4000 VACrms
- Integrated snubber network in 25 A and 40 A types

Product Description

The zero switching relay with triac (10 A) or thyristor output (25 A, 40 A) offer a solution for resistive load switching. The zero switching relay switches ON when the sinusoidal voltage crosses zero and switches OFF when the

current crosses zero. The LED indicates the status of the control input. The clip-on cover is securing touch protection to IP 20. Output terminals can handle cables up to 16 mm².

Ordering Key

RS 1 A 23 D 25

- Solid State Relay
- Number of poles
- Switching mode
- Rated operational voltage
- Control voltage
- Rated operational current

Type Selection

Switching mode	Rated operational voltage	Rated operational current	Control voltage
A: Zero Switching	23: 230 VACrms 40: 400 VACrms 48: 480 VACrms	10: 10 AACrms 25: 25 AACrms 40: 40 AACrms	LA: 18 to 36 VAC/VDC D: 3 to 32 VDC* <small>*4 to 32 VDC for 400 VAC and 480VAC types</small>

Selection Guide

Rated operational voltage	Non-rep. voltage	Control voltage	Rated operational current		
			10 A	25 A	40 A
230 VACrms	650 V _p	3-32 VDC	RS1A23D10	RS1A23D25	RS1A23D40
		18-36 VAC/DC	RS1A23LA10	RS1A23LA25	RS1A23LA40
400 VACrms	850 V _p	4-32 VDC	RS1A40D10	RS1A40D25	RS1A40D40
		18-36 VAC/DC	RS1A40LA10	RS1A40LA25	RS1A40LA40
480 VACrms	1200 V _p	4-32 VDC	RS1A48D10	RS1A48D25	RS1A48D40
		18-36 VAC/DC	RS1A48LA10	RS1A48LA25	RS1A48LA40

General Specifications

	RS1A23...	RS1A40...	RS1A48...
Operational voltage range	42 to 265 VACrms	42 to 440 VACrms	42 to 530 VACrms
Blocking voltage	≥ 650 V _p	≥ 850 V _p	≥ 1200 V _p
Zero voltage turn-on	≤ 15 V	≤ 15 V	≤ 15 V
Operational frequency range	45 to 65 Hz	45 to 65 Hz	45 to 65 Hz
Power factor	≥ 0.95 @ 230 VACrms	≥ 0.95 @ 400 VACrms	≥ 0.95 @ 480 VACrms
Approvals	UL, cUL, CSA	UL, cUL, CSA	UL, cUL, CSA
CE-marking	Yes	Yes	Yes

Input Specifications

	RS1A..D..	RS1A..LA...
Control voltage RS1.23.., RS1.40.., RS1.48..	3-32 VDC 4-32 VDC	18-36 VAC/DC
Pick-up voltage RS1.23.., RS1.40.., RS1.48..	≤ 2.75 VDC ≤ 3.75 VDC	≤ 18 VAC/DC
Reverse voltage	≤ 32 VDC	-
Drop out voltage	≥ 1.2 VDC	≥ 5 VAC/DC
Input current @ max input voltage	≤ 12 mA	≤ 15 mA
Response time pick-up	≤ 1/2 cycle	≤ 1 cycle
Response time drop-out	≤ 1/2 cycle	≤ 2 cycles

Output Specifications

	RS1A...10	RS1A...25	RS1A...40
Rated operational current AC51 @ Ta=25°C	10 Arms	25 Arms	40 Arms
Min. operational current	150 mA	150 mA	250 mA
Rep. overload current t=1 s	< 12 AACrms	< 55 AACrms	< 125 AACrms
Non-rep. surge current t=10 ms	100 A _p	325 A _p	600 A _p
Off-state leakage current @ rated voltage and frequency	< 3 mArms	< 3 mArms	< 3 mArms
I²t for fusing t=10 ms	≤ 50 A ² s	≤ 525A ² s	≤ 1800 A ² s
On-state voltage drop @ rated current	≤ 1.6 Vrms	≤ 1.6 Vrms	≤ 1.6 Vrms
Critical dV/dt off-state	≥ 500V/μs	≥ 500 V/μs	≥ 500 V/μs

Thermal Specifications

	RS1A...10	RS1A...25	RS1A...40
Operating temperature	-20° to 70°C	-40° to 80°C	-40° to 80°C
Storage temperature	-20° to 80°C	-50° to 100°C	-50° to 100°C

Housing Specifications

Weight	Approx. 60 g
Housing material	Noryl GFN 1, black
Baseplate	Aluminium
Potting compound	None
Relay	
Mounting screws	M5
Mounting torque	1.5-2.0 Nm
Control terminal	
Mounting screws	M3 x 9
Mounting torque	0.5 Nm
Power terminal	
Mounting screws	M5 x 9
Mounting torque	2.4 Nm

Isolation

Rated isolation voltage Input to output	≥ 4000 VACrms
Rated isolation voltage Output to case	≥ 4000 VACrms



Heatsink Dimensions (load current versus ambient temperature)

RS....10

Load current [A]	Thermal resistance [K/W]						Power dissipation [W]
	20	30	40	50	60	70	
10.0	3.34	2.58	1.81	1.04	0.27	-	13.0
9.0	4.25	3.37	2.49	1.61	0.73	-	11.3
8.0	5.41	4.38	3.36	2.33	1.31	0.28	9.7
7.0	6.92	5.70	4.49	3.27	2.06	0.84	8.2
6.0	8.96	7.49	6.02	4.55	3.08	1.61	6.8
5.0	11.9	10.0	8.19	6.36	4.53	2.69	5.5
4.0	16.2	13.9	11.5	9.10	6.72	4.34	4.2
3.0	23.7	20.3	17.0	13.7	10.4	7.12	3.0
2.0	38.6	33.4	28.3	23.1	17.9	12.7	1.9
1.0	-	-	-	-	-	29.7	0.9

T_A
Ambient temp. [°C]

RS....25

Load current [A]	Thermal resistance [K/W]						Power dissipation [W]	
	20	30	40	50	60	70		
25.0	3.23	2.80	2.37	1.94	1.51	1.09	0.66	23
22.5	3.70	3.21	2.73	2.24	1.75	1.26	0.78	21
20.0	4.30	3.74	3.17	2.61	2.05	1.49	0.92	18
17.5	5.07	4.41	3.76	3.10	2.44	1.78	1.12	15
15.0	6.12	5.33	4.54	3.75	2.96	2.17	1.38	13
12.5	7.58	6.61	5.64	4.66	3.69	2.72	1.75	10
10.0	9.80	8.55	7.30	6.05	4.80	3.55	2.30	8
7.5	13.5	11.80	10.09	8.37	6.66	4.94	3.23	6
5.0	-	18.3	15.7	13.04	10.39	7.74	5.09	4
2.5	-	-	-	-	-	16.2	10.7	2

T_A
Ambient temp. [°C]

Heatsink Dimensions (cont.)

RS....40

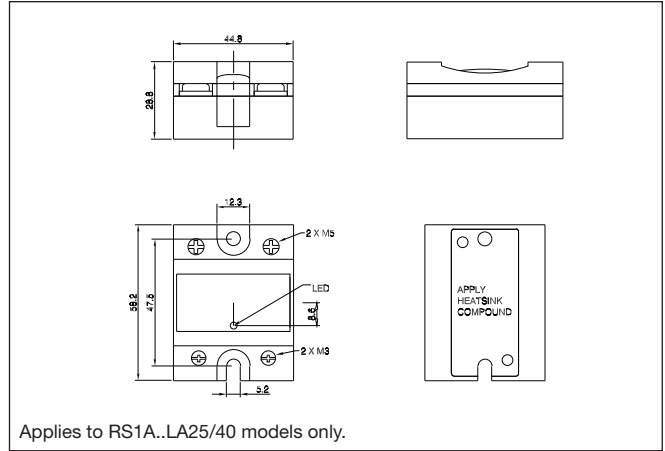
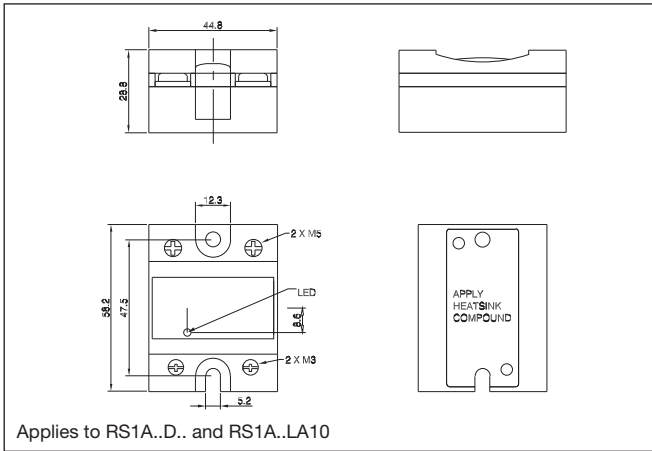
Load current [A]	Thermal resistance [K/W]						Power dissipation [W]	
	20	30	40	50	60	70		
40	1.73	1.49	1.25	1.01	0.77	0.52	0.28	41
36	2.00	1.73	1.45	1.18	0.90	0.63	0.35	36
32	2.35	2.03	1.71	1.39	1.08	0.76	0.44	31
28	2.80	2.43	2.05	1.68	1.30	0.93	0.55	27
24	3.41	2.96	2.51	2.05	1.60	1.15	0.70	22
20	4.26	3.71	3.15	2.59	2.03	1.47	0.92	18
16	5.56	4.84	4.12	3.40	2.68	1.96	1.24	14
12	7.74	6.74	5.75	4.76	3.77	2.78	1.78	10
8	12.12	10.58	9.04	7.50	5.96	4.42	2.88	6
4	-	-	-	15.74	12.56	9.37	6.18	3

T_A
Ambient temp. [°C]

Heatsink Selection

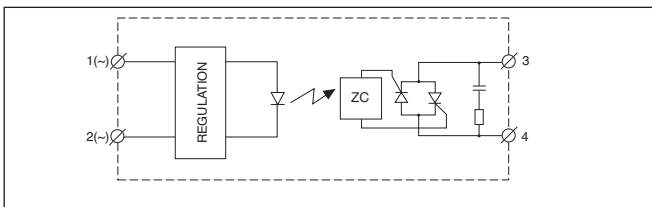
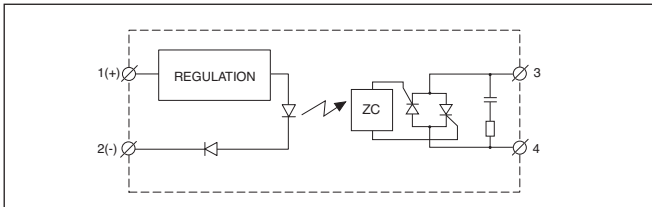
Carlo Gavazzi Heatsink (see Accessories)	Thermal resistance...	...for power dissipation
No heatsink required	---	N/A
RHS 300	5.00 K/W	> 0 W
RHS 100	3.00 K/W	> 25 W
RHS 45C	2.70 K/W	> 60 W
RHS 45B	2.00 K/W	> 60 W
RHS 90A	1.35 K/W	> 60 W
RHS 45C plus fan	1.25 K/W	> 0 W
RHS 45B plus fan	1.20 K/W	> 0 W
RHS 112A	1.10 K/W	> 100 W
RHS 301	0.80 K/W	> 70 W
RHS 90A plus fan	0.45 K/W	> 0 W
RHS 112A plus fan	0.40 K/W	> 0 W
RHS 301 plus fan	0.25 K/W	> 0 W
Consult your distribution	> 0.25 K/W	N/A
Infinite heatsink - No solution	---	N/A

Dimensions



All dimensions in mm.

Functional Diagram



Faston terminals



- Fast-on tabs
- Tab dimensions according to DIN 46342 part 1
- Pure tin-plated brass

Ordering Key

Screw mounted Faston terminals

RS1A48D25	F 4*
------------------	-------------

RS, RM Solid State Relay

Faston terminals

Tab orientation

Input Tab width: 4.8mm

Output Tab width: 6.3mm

Faston terminals in packs of 20

RM48**	F4*
---------------	------------

RS, RM Solid State Relay

Tab orientation

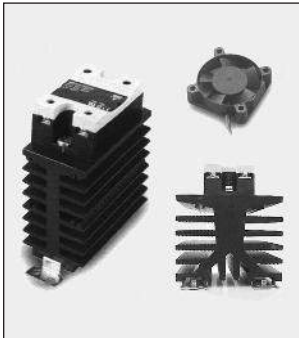
* 0: Flat (0°)

4: Angled (45°)

** 48: 4.8mm faston for input

63: 6.3mm faston for output

Other Accessories



- Heatsinks and fans
- Type RHS....
- 0.25 to 5.00 k/W
- Single and dual relay types



- Touch safety cover
- Type RMIP20
- IP20 protection degree
- Pack size: 20 pieces

All accessories can be ordered pre-assembled with Solid State Relays.
Other accessories include DIN rail adaptors, fuses, varistors and spacers.
For further information refer to Accessories datasheets.