

Минск +375447584780 Viber email [minsk17@tut.by](mailto:minsk17@tut.by)  
[www.fotorele.net](http://www.fotorele.net) [www.tiristor.by](http://www.tiristor.by) tel.+375 29 758 47 80 МТС



## Электронные компоненты, радиодетали

[где и как купить в Минске?](#)

Категория: **DELIXI , РЕЛЕ**

Реле DELIXI HH52P  
Реле DELIXI JTX  
Реле DELIXI JTX-3C  
DELIXI CJX1-63  
реле delixi jyb 714  
реле delixi cdz9-53p  
реле delixi jtx-3c  
реле delixi jqx-13f 2z  
delixi реле контроля фаз  
реле delixi cdz9I-54p  
реле delixi xg3-2 ac 388b  
реле delixi hh52p  
js11s ac220v delixi реле аналог реле

каталог, описание, технические, характеристики, datasheet, параметры, маркировка, габариты, фото,  
**РЕЛЕ, DELIXI**

купить, продажа



# Электронные компоненты, радиодетали

[где и как купить в Минске?](#)

Категория: **РЕЛЕ DELIXI**

# CDZ8P Miniature Relay

## Function

- Used to implement the conversion of intermediate control signals and low-power output, In the field of industrial control, used in conjunction with contactors, relays, circuit breakers, etc.

## Order Information

Rated Current	Poles	LED	Voltage Type	Reference	
5A	2	L	AC	CDZ8P052L*1	
		None	AC	CDZ8P052*1	
		L	DC	CDZ8P052L*Z1	
		None	DC	CDZ8P052*Z1	
	3	L	L	AC	CDZ8P053L*1
			None	AC	CDZ8P053*1
		None	L	DC	CDZ8P053L*Z1
			None	DC	CDZ8P053*Z1
	4	L	L	AC	CDZ8P054L*1
			None	AC	CDZ8P054*1
		None	L	DC	CDZ8P054L*Z1
			None	DC	CDZ8P054*Z1
3A	4	L	AC	CDZ8P034L*1	
		None	AC	CDZ8P034*1	
		L	DC	CDZ8P034L*Z1	
		None	DC	CDZ8P034*Z1	
10A	2	L	AC	CDZ8P102L*1	
		None	AC	CDZ8P102*1	
		L	DC	CDZ8P102L*Z1	
		None	DC	CDZ8P102*Z1	
	3	L	L	AC	CDZ8P103L*1
			None	AC	CDZ8P103*1
		None	L	DC	CDZ8P103L*Z1
			None	DC	CDZ8P103*Z1
	4	L	L	AC	CDZ8P104L*1
			None	AC	CDZ8P104*1
		None	L	DC	CDZ8P104L*Z1
			None	DC	CDZ8P104*Z1



Мінск +375447584780 Viber email minsk17@lut.by

# CDZ8P Miniature Relay

## Technical information

	5A		3A,5A	10A		
	2P	3P	4P	2P	3P	4P
Coil voltage	AC6V-380V ,DC6V-220V					
Contact capacity	5A/220VAC 30VDC		3-5A/220VAC 30VDC		10A 250VAC/ 28VDC	
LED	LED ,No LED					
Nominal Coil Power	0.9W/1.2VA		0.9W/1.2VA		1.4W/2VA	1.5W/2.5VA
Contact Resistance	≤100mΩ		≤50mΩ			
Insulation Resistance	≥100mΩ					
Dielectric Strength	BCC 1500VAC 1minute					
	BOC 1000VAC 1minute					
Operate /Release Time	25ms /25ms					
Installation method	PCB installation, Socket			PCB mounting, Socket		

Мінск +375447584780 Viber email minsk7@tut.by

# JSZ3 Series Electronic Time Relay

Standard: IEC 60947-5-1

## Function

JSZ3 Series electronic time relay provide

- Rated AC frequency 50Hz & controlling voltage 400V or below.
- Be used as time-control component in the automatic controlling circuit, according to the scheduled time turn on or off the circuit.

## Order Information



Relay mode	Rated working voltage	Relay time	Reference
Relay after power-on	120V	A: 0.05-0.5s/5s/30s/3M	JSZ3AA120
		B: 0.1-1s/10s/60s/6M	JSZ3AB120
		C: 0.5-5s/50s/5M/30M	JSZ3AC120
		D: 1-10s/100s/10M/60M	JSZ3AD120
		E: 6s-60s/10M/60M/6h	JSZ3AE120
		F: 0.2M-2M/20M/2h/12h	JSZ3AF120
		G: 0.4M-4M/40M/4h/24h	JSZ3AG120
	240V	A: 0.05-0.5s/5s/30s/3M	JSZ3AA240
		B: 0.1-1s/10s/60s/6M	JSZ3AB240
		C: 0.5-5s/50s/5M/30M	JSZ3AC240
		D: 1-10s/100s/10M/60M	JSZ3AD240
		E: 6s-60s/10M/60M/6h	JSZ3AE240
		F: 0.2M-2M/20M/2h/12h	JSZ3AF240
		G: 0.4M-4M/40M/4h/24h	JSZ3AG240
	400V	A: 0.05-0.5s/5s/30s/3M	JSZ3AA400
		B: 0.1-1s/10s/60s/6M	JSZ3AB400
		C: 0.5-5s/50s/5M/30M	JSZ3AC400
		D: 1-10s/100s/10M/60M	JSZ3AD400
		E: 6s-60s/10M/60M/6h	JSZ3AE400
		F: 0.2M-2M/20M/2h/12h	JSZ3AF400
		G: 0.4M-4M/40M/4h/24h	JSZ3AG400

Мінск +375447584780 Viber email@delixi.com

# JSZ3 Series Electronic Time Relay

Standard: IEC 60947-5-1

## Order Information

Relay mode	Rated working voltage	Relay time	Reference		
Relay after power-off	120V	1S: 0.1-1s	JSZ3F1S120		
		2S: 0.2-2s	JSZ3F2S120		
		3S: 0.3s-3s	JSZ3F3S120		
		5S: 0.5s-5s	JSZ3F5S120		
		6S: 0.6s-6s	JSZ3F6S120		
		10S: 1s-10s	JSZ3F10S120		
		20S: 2s-20s	JSZ3F20S120		
		30S: 3s-30s	JSZ3F30S120		
		60S: 6s-60s	JSZ3F60S120		
		100S: 10s-100s	JSZ3F100S120		
		180S: 18s-180s	JSZ3F180S120		
		4M: 0.4min-4min	JSZ3F4M120		
		5M: 0.5min-5min	JSZ3F5M120		
		6M: 0.6min-6min	JSZ3F6M120		
		10M: 1min-10min	JSZ3F10M120		
		20M: 2min-20min	JSZ3F20M120		
		30M: 3min-30min	JSZ3F30M120		
			240V	1S: 0.1-1s	JSZ3F1S240
				2S: 0.2-2s	JSZ3F2S240
				3S: 0.3s-3s	JSZ3F3S240
5S: 0.5s-5s	JSZ3F5S240				
6S: 0.6s-6s	JSZ3F6S240				
10S: 1s-10s	JSZ3F10S240				
20S: 2s-20s	JSZ3F20S240				
30S: 3s-30s	JSZ3F30S240				
60S: 6s-60s	JSZ3F60S240				
100S: 10s-100s	JSZ3F100S240				
180S: 18s-180s	JSZ3F180S240				
4M: 0.4min-4min	JSZ3F4M240				
5M: 0.5min-5min	JSZ3F5M240				
6M: 0.6min-6min	JSZ3F6M240				
10M: 1min-10min	JSZ3F10M240				
20M: 2min-20min	JSZ3F20M240				
30M: 3min-30min	JSZ3F30M240				
	400V			1S: 0.1-1s	JSZ3F1S400
				2S: 0.2-2s	JSZ3F2S400
				3S: 0.3s-3s	JSZ3F3S400
		5S: 0.5s-5s	JSZ3F5S400		
		6S: 0.6s-6s	JSZ3F6S400		
		10S: 1s-10s	JSZ3F10S400		
		20S: 2s-20s	JSZ3F20S400		
		30S: 3s-30s	JSZ3F30S400		
		60S: 6s-60s	JSZ3F60S400		
		100S: 10s-100s	JSZ3F100S400		
		180S: 18s-180s	JSZ3F180S400		
		4M: 0.4min-4min	JSZ3F4M400		
		5M: 0.5min-5min	JSZ3F5M400		
		6M: 0.6min-6min	JSZ3F6M400		
		10M: 1min-10min	JSZ3F10M400		
		20M: 2min-20min	JSZ3F20M400		
		30M: 3min-30min	JSZ3F30M400		

Мінск +375447584780 Viber email minsk17@delixi.com

# JSZ3 Series Electronic Time Relay

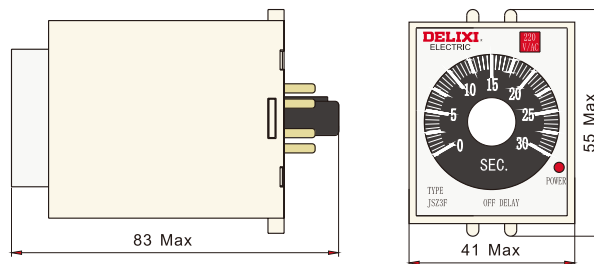
Standard: IEC 60947-5-1

## Technical Data

Condition	AC-15 DC-13	400V/1.95A; 240V/1.5A; 120V/3.0A 250V/0.27A; 125V/0.55A
Repetitive error		≤5%
Rated thermal current		5A
Mechanical life		≥1×10 <sup>6</sup> times
Electric life		≥1×10 <sup>5</sup> times
Power loss		≤3W
Working mode		A: Relay after power-on F:Relay after power-off
Reset mode		A:Power-off reset F:External device reset
Contactur endurance		A:5A (Resistive) F:1A (Resistive)
Relay time		JSZ3A: 0.05s-0.5s/5s/30s/3M,0.1s-1s/10s/60s/6M 0.5s-5s/50s/5M/30M,1s-10s/100s/10M/60M 6s-60s/10M/60M/6h,0.2M-2M/20M/2h/12h 0.4M-4M/40M/4h/24h JSZ3F: 0.1s-1s,0.2s-2s,0.3s-3s,0.5s-5s,0.6s-6s,1s- 10s,2s-20s,3s-30s,6s-60s,10s-100s,10s-120s,10s- 180s,0.4M-4M,0.5M-5M,0.6M-6M,1M-10M,2M-20M,3M- 30M
Temp.		-5℃~+40℃
Install mode		Install mounted, Din rail mounted, Panel mounted

## Overall Dimensions

Unit: mm



# XJ9 Phase Failure And Sequence Protection Relay

Standard: IEC 60947-5-1

## Function

XJ9 phase failure and sequence protection relay provide:

- Rated AC frequency of 50Hz, rated control supply voltage AC 400V.
- Phase failure and phase sequence protector.



## Order Information

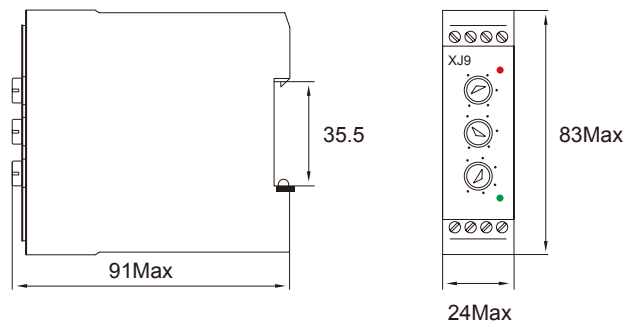
Function	Voltage	Reference
Phase failure	380V	XJ9380
sequence protection	400V	XJ9400

## Technical Data

Standard	IEC 60947-5-1
Overvoltage protection	400-480V(adjustable). Reaction time: 1.5-4S(adjustable)
Undervoltage protection	320-400V(adjustable). Reaction time: 2-9S(adjustable)
Phase failure & phase Wrong protect time	Reaction time $\leq 2S$
Contactor mode	1 NO, 1NC
Contactor endurance	5A Resistive
Power voltage	AC 400V
Mechanical lifetime	$\geq 1 \times 10^6$ times
Electrical lifetime	$\geq 1 \times 10^5$ times
Power loss	$\leq 1W$
Contactor capacity	AC400V $\times 3$

## Overall Dimensions

Unit: mm





# CDTL17 Impulse Relays

Standard: IEC 60947-4

## Function

Impulse relays are used for control by pushbuttons of lighting circuits:

- Incandescent lamps, low voltage halogen lamps, etc. (resistive loads)
- Fluorescent tubes, discharge lamps, etc. (inductive loads)



## Order Information

Poles	Rated Current(A)	Coil Voltage(V)	Coil Frequency(Hz)	Reference
1P	16	230	50	CDTL1716N5

## Technical data

Rated Voltage	250V
Inrush power	11VA
Impulse duration	50ms
Maximum switching frequency	5 switching operations/minute
Electrical durability	50,000 cycles
Operating temperature	-5°C to +40°C

Мінск +375447584780 Viber @tut.by minsk17@tut.by