

модуль, мост, Минск т.80447584780

www.fotorele.net www.tiristor.by радиодетали, электронные компоненты

email minsk17@tut.by tel.+375 29 758 47 80 МТС

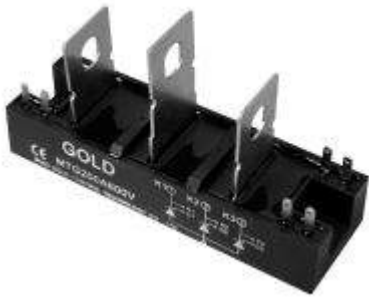
модуль, тиристор, симистор, однофазный, трехфазный, каталог, описание, технические, характеристики, datasheet, параметры, маркировка, габариты, фото, даташит,



QR код

www.tiristor.by


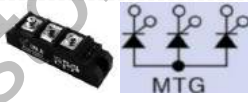


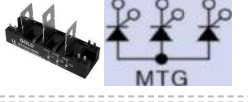
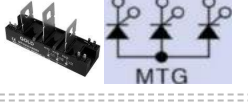
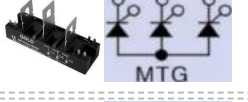
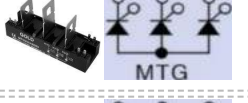
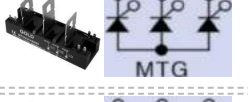
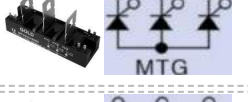

• [Diode & Rectifier Modules](#) » [3-phase half-bridge thyristor modules \(non-isolated\)](#)



$I_{T(AV)}=25A \sim 300A$, $V_{DRM}=V_{RRM}=400V \sim 2200V$, $T_{jm}=125^{\circ}C$,
 $dv/dt \geq 500V/\mu s$

The parameters in the table are the ratings and characteristics of each thyristor chip in module

Suitable for types: MTG, MTY

Product Model	Maximum Load Current	Line Voltage Range	Recommended cooling solution	Electronic manual
MTG25	25A	600-2200VAC		download
MTG40	40A	600-2200VAC		download
MTG55	55A	600-2200VAC		download
MTG70	70A	600-2200VAC		download
MTG90	90A	600-2200VAC		download
MTG110	110A	600-2200VAC		download
MTG130	130A	600-2200VAC		download
MTG150	150A	600-2200VAC		download
MTG200	200A	600-2200VAC		download
MTG250	250A	600-2200VAC		download
MTG300	300A	600-2200VAC		download

- LOCATION : [HOME](#) » [PRODUCTS](#) » [Diode & Rectifier Modules](#) » [Single-phase fully control \(half control\) bridge rectifier module](#)



$I_D=30A \sim 500A$, $I_{jm}=125^\circ C$, $V_{DRM}=V_{RRM}=800V \sim 2200V$, $V_{ISO} \geq 2.5KV_{(RMS)}$
 $dv/dt \geq 500V/\mu s$

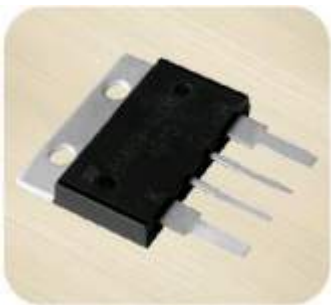
The parameters in the table are the ratings and characteristics of each thyristor chip in module(Except for I_D)

Suitable for types: MTQ, MTF, MHQ, MD/TF, MT/DQ, MT/DF

Product Model	Maximum Load Current	Line Voltage Range	Recommended cooling solution	Electronic manual
MD/TC20	50A	800-2200VAC	M ^D /C	download
MD/TC50	50A	800-2200VAC	M ^D /C	download
MD/TC100	100A	800-2200VAC	M ^D /C	download
MD/TC200	200A	800-2200VAC	M ^D /C	download
MD/TC250	250A	800-2500VAC	M ^D /C	download
MD/TC300	300A	800-2500VAC	M ^D /C	download
MD/TC350	350A	800-2500VAC	M ^D /C	download
MD/TC400	400A	800-2500VAC	M ^D /C	download
MD/TC500	500A	800-2500VAC	M ^D /C	download
MT/DQ500	500A	800-2200VAC	M ^T /Q	download
MT/DQ400	400A	800-2200VAC	M ^T /Q	download



					
MT/DQ300	300A	800-2200VAC			download
MT/DQ250	250A	800-2200VAC			download
MT/DQ200	200A	800-2200VAC			download
MT/DQ150	150A	800-2200VAC			download
MT/DQ100	100A	800-2200VAC			download
MT/DQ60	60A	800-2200VAC			download
MT/DQ30	30A	800-2200VAC			download
MD/TC800	800A	800-2500VAC			download
MD/TC700	700A	800-2500VAC			






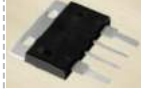
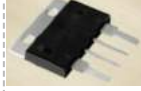
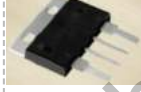
- [Diode & Rectifier Modules](#) » [Triac series \(agent servise\)](#)



Features: Advanced glass passivation technology, sensitive control extremely trigger current, low on state, passed the ROHS certification.

Characteristic: used for various universal switch device, small motor controller, the lantern controller, leakage protector, logic integrated circuit drive, motorcycle ignition circuits, etc.

Product Model	Maximum Load Current	Line Voltage Range	Recommended cooling solution	Electronic manual
BTA6	6A	≥800VAC		download
BTA8	8A	≥800VAC		download

BTA12	12A	$\geq 800\text{VAC}$		download
BTA16	16A	$\geq 800\text{VAC}$		download
BTA24	24A	$\geq 800\text{VAC}$		download
BTA26	26A	$\geq 800\text{VAC}$		download
BTA41	41A	$\geq 800\text{VAC}$		download
BTA60	60A	$\geq 800\text{VAC}$		download
BTA80	80A	$\geq 800\text{VAC}$		download
BTA100	100A	$\geq 800\text{VAC}$		download

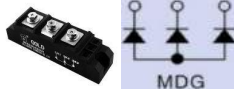



- [3-phase half-bridge diode modules \(non-isolated\)](#)



$I_{F(AV)}=35\text{A} \sim 300\text{A}$, $V_{RRM}=400\text{V} \sim 2500\text{V}$, $T_{jm}=150^\circ\text{C}$

The parameters in the table are the ratings and characteristics of each diode chip in module

Suitable for types: MDG, MDY

Product Model	Maximum Load Current	Line Voltage Range	Recommended cooling solution	Electronic manual
MDG35	35A	400-2500VAC		download
MDG55	55A	400-2500VAC		download
MDG70	70A	400-2500VAC		download
MDG90	90A	400-2500VAC		download

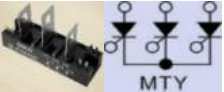
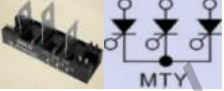

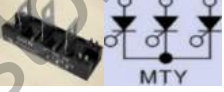
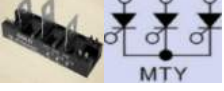

				
MDG110	110A	400-2500VAC		download
MDG130	130A	400-2500VAC		download
MDG150	150A	400-2500VAC		download
MDG200	200A	400-2500VAC		download
MDG250	250A	400-2500VAC		download
MDG300	300A	400-2500VAC		download
MDY35	35A	400-2500VAC		download
MDY55	55A	400-2500VAC		download
MDY70	70A	400-2500VAC		download
MDY90	90A	400-2500VAC		download
MDY110	110A	400-2500VAC		download
MDY130	130A	400-2500VAC		download
MDY150	150A	400-2500VAC		download
MDY200	200A	400-2500VAC		download
MDY250	250A	400-2500VAC		download
MDY300	300A	400-2500VAC		download

- [Diode & Rectifier Modules](#) » [Thyristor modules](#)



IT(AM)=20A~80A,VDRM=800V~5000V,Tjm=125°C,
 dv/dt≥500V/μs, VISO≥2.5KV(RMS)

TYPE: MT、MTC、MT/DC、MD/TC、MTK、MT/DK、MTA、MT/DA、MTX、MT/DX

Product Model	Maximum Load Current	Line Voltage Range	Recommended cooling solution	Electronic manual
MTY110	110A	600-2200VAC		download
MTY130	130A	600-2200VAC		download
MTY150	150A	600-2200VAC		download
MTY200	200A	600-2200VAC		download
MTY250	250A	600-2200VAC		download
MTY300	300A	600-2200VAC		download

- [Diode & Rectifier Modules](#) » [Thyristor modules](#)

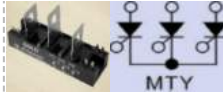


IT(AM)=20A~80A,VDRM=800V~5000V,Tjm=125°C,
 dv/dt≥500V/μs, VISO≥2.5KV(RMS)

TYPE: MT、MTC、MT/DC、MD/TC、MTK、MT/DK、MTA、MT/DA、MTX、MT/DX

Product Model	Maximum Load Current	Line Voltage Range	Recommended cooling solution	Electronic manual
---------------	----------------------	--------------------	------------------------------	-------------------

MTQ250	250A	800-2200VAC		download
MTQ300	300A	800-2200VAC		download
MTQ400	400A	800-2200VAC		download
MTQ500	500A	800-2200VAC		download
MTS30	30A	800-2200VAC		download
MTS60	60A	800-2200VAC		download
MTS100	100A	800-2200VAC		download
MTS150	150A	800-2200VAC		download
MTS200	200A	800-2200VAC		download
MTS300	300A	800-2200VAC		download
MTS400	400A	800-2200VAC		download
MTS500	500A	800-2200VAC		download
MTS600	600A	800-2200VAC		download
MTS700	700A	800-2200VAC		download
MTS800	800A	800-2200VAC		download
MTY25	25A	600-2200VAC		download
MTY40	40A	600-2200VAC		download
MTY55	55A	600-2200VAC		download
MTY70	70A	600-2200VAC		download

MTY90	90A	600-2200VAC		download
-------	-----	-------------	---	--------------------------

- [Diode & Rectifier Modules](#) » [Thyristor modules](#)



IT(AM)=20A~80A, VDRM=800V~5000V, T_{jm}=125°C,
dv/dt≥500V/μs, VISO≥2.5KV(RMS)

TYPE: MT、MTC、MT/DC、MD/TC、MTK、MT/DK、MTA、MT/DA、MTX、MT/DX

Product Model	Maximum Load Current	Line Voltage Range	Recommended cooling solution	Electronic manual
MTK400	400A	800-1800VAC		download
MTK500	500A	800-1800VAC		download
MTk700	700A	800-1800VAC		download
MTk800	800A	800-1800VAC		download
MTA20	20A	800-2200VAC		download
MTA50	50A	800-2200VAC		download
MTA100	100A	800-2200VAC		download
MTA200	200A	800-2200VAC		download
MTA250	250A	800-2500VAC		download
MTA300	300A	800-2500VAC		download
MTA350	350A	800-2500VAC		download



MTA400	400A	800-2500VAC		download
MTA500	500A	800-2500VAC		download
MTA700	700A	800-2500VAC		download
MTA800	800A	800-2500VAC		download
MTQ30	30A	800-2200VAC		download
MTQ60	60A	800-2200VAC		download
MTQ100	100A	800-2200VAC		download
MTQ150	150A	800-2200VAC		download
MTQ200	200A	800-2200VAC		download

- [Diode & Rectifier Modules](#) » [Thyristor modules](#)



IT(AM)=20A~80A, VDRM=800V~5000V, T_{jm}=125°C,
dv/dt≥500V/μs, VISO≥2.5KV(RMS)

TYPE: MT、MTC、MT/DC、MD/TC、MTK、MT/DK、MTA、MT/DA、MTX、MT/DX













Product Model	Maximum Load Current	Line Voltage Range	Recommended cooling solution	Electronic manual
MTC700	700A	800-2500VAC		download
MTC800	800A	800-2500VAC		download















MTX20	20A	800-2200VAC	  MTX	download
MTX50	50A	800-2200VAC	  MTX	download
MTX100	100A	800-2200VAC	  MTX	download
MTX200	200A	800-2200VAC	  MTX	download
MTX250	250A	800-2500VAC	  MTX	download
MTX300	300A	800-2500VAC	  MTX	download
MTX350	350A	800-2500VAC	  MTX	download
MTX400	400A	800-2500VAC	  MTX	download
MTX500	500A	800-2500VAC	  MTX	download
MTX700	700A	800-2500VAC	  MTX	download
MTX800	800A	800-2500VAC	  MTX	download
MTK20	20A	800-1800VAC	  MTK	download
MTK50	50A	800-1800VAC	  MTK	download
MTK100	100A	800-1800VAC	  MTK	download
MTK200	200A	800-1800VAC	  MTK	download
MTK250	250A	800-1800VAC	  MTK	download
MTK300	300A	800-1800VAC	  MTK	download
MTK350	350A	800-1800VAC	  MTK	download



IT(AM)=20A~80A, VDRM=800V~5000V, T_{jm}=125°C,
 dv/dt≥500V/μs, VISO≥2.5KV(RMS)

TYPE: MT、MTC、MT/DC、MD/TC、MTK、MT/DK、MTA、MT/DA、MTX、MT/DX

Product Model	Maximum Load Current	Line Voltage Range	Recommended cooling solution	Electronic manual
MT20	20A	800-1800VAC		download
MT50	50A	800-1800VAC		download
MT100	100A	800-1800VAC		download
MT200	200A	800-1800VAC		download
MT250	250A	800-1800VAC		download
MT300	300A	800-1800VAC		download
MT350	350A	800-1800VAC		download
MT400	400A	800-1800VAC		download
MT500	500A	800-1800VAC		download
MT700	700A	800-1800VAC		download
MT800	800A	800-1800VAC		download
MTC20	20A	800-2200VAC		download
MTC50	50A	800-2200VAC		download

MTC100	100A	800-2200VAC	 	download
MTC200	200A	800-2200VAC	 	download
MTC250	250A	800-2500VAC	 	download
MTC300	300A	800-2500VAC	 	download
MTC350	350A	800-2500VAC	 	download
MTC400	400A	800-2500VAC	 	download
MTC500	500A	800-2500VAC	 	download


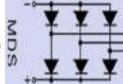

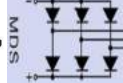

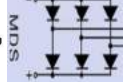

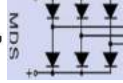


- [Diode & Rectifier Modules](#) » [Three Phase Rectifier Bridges Modules](#)


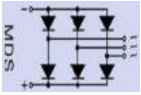

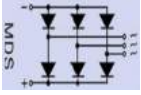

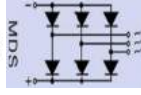

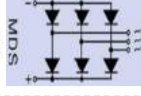

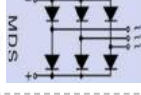


$I_D=25A - 300A$, $V_{RRM}=800V - 2500V$, $T_{jm}=150^\circ C$, $V_{ISO} \geq 2.5KV$

The parameters in the table are the ratings and characteristics of each diode chip in module
(Except for I_D)

Suitable for types: MDS

Product Model	Maximum Load Current	Line Voltage Range	Recommended cooling solution	Electronic manual
MDS25	25A	800-2500VAC	 	download
MDS35	35A	800-2500VAC	 	download
MDS60	60A	800-2500VAC	 	download
MDS75	75A	800-2500VAC	 	download
MDS100	100A	800-2500VAC	 	download

					
MDS150	150A	800-2500VAC			download
MDS200	200A	800-2500VAC			download
MDS250	250A	800-2500VAC			download
MDS300	300A	800-2500VAC			download


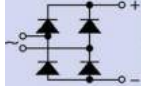

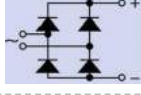

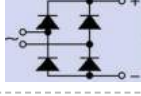

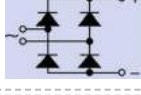

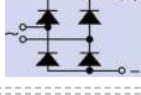

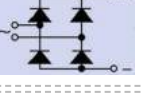
- [Single Phase Rectifier Bridges Modules](#)

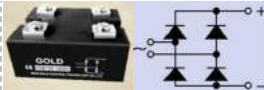
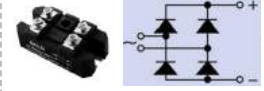
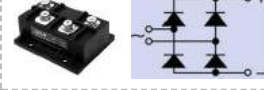
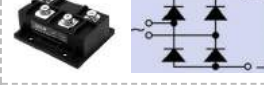


$I_{F(AV)}=20A \sim 500A$, $V_{RRM}=800V \sim 5000V$, $T_{jm}=150^{\circ}C$, $V_{ISO} \geq 2.5KV_{(RMS)}$

The parameters in the table are the ratings and characteristics of each diode chip in module

Suitable for types: MD, MDC, MDK, MDA

Product Model	Maximum Load Current	Line Voltage Range	Recommended cooling solution	Electronic manual
MDQ10	10A	800-2500VAC	 	download
MDQ20	20A	800-2500VAC	 	download
MDQ30	30A	800-2500VAC	 	download
MDQ60	60A	800-2500VAC	 	download
MDQ75	75A	800-2500VAC	 	download
MDQ100	100A	800-2500VAC	 	download
PSB125	125A	800-2500VAC		download

				
MDQ150	150A	800-2500VAC		download
MDQ200	200A	800-2500VAC		download
MDQ300	300A	800-2500VAC		download

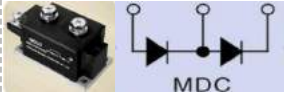
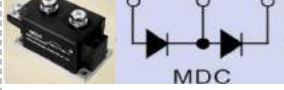




- [Diode & Rectifier Modules](#) » [Diode modules](#)

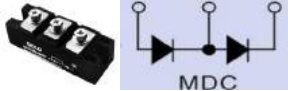
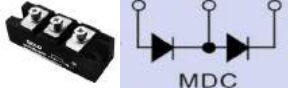
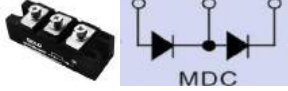
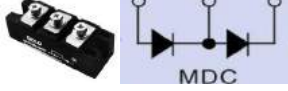
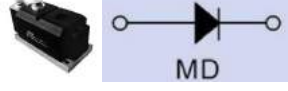



$I_{F(AV)}=20A \sim 500A$, $V_{RRM}=800V \sim 5000V$, $T_{jm}=150^{\circ}C$, $V_{ISO} \geq 2.5KV_{(RMS)}$

The parameters in the table are the ratings and characteristics of each diode chip in module

Suitable for types: MD, MDC, MDK, MDA

Product Model	Maximum Load Current	Line Voltage Range	Recommended cooling solution	Electronic manual
MDC300	300A	800-2500VAC		download
MDC250	250A	800-2500VAC		download
MDC200	200A	800-2500VAC		download
MDC160	160A	800-2500VAC		download
MDC130	130A	800-2500VAC		download
MDC110	110A	800-2500VAC		download
MDC90	90A	800-2500VAC		download
MDC70	70A	800-2500VAC		download

				
MDC55	55A	800-2500VAC		download
MDC40	40A	800-2500VAC		download
MDC25	25A	800-2500VAC		download
MD800	800A	800-2500VAC		download
MD700	700A	800-2500VAC		download

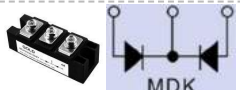
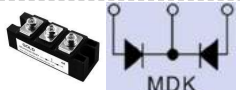
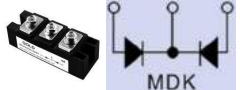
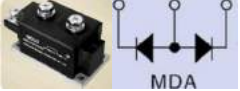

- [Diode & Rectifier Modules](#) » [Diode modules](#)


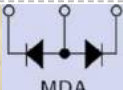

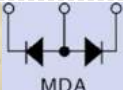
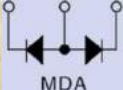

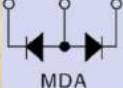

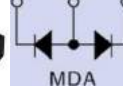

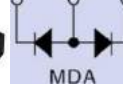

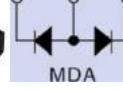



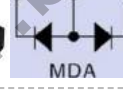

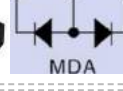

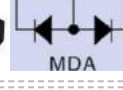


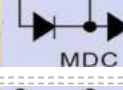




$I_{F(AV)}=20A \sim 500A$, $V_{RRM}=800V \sim 5000V$, $T_{jm}=150^{\circ}C$, $V_{ISO} \geq 2.5KV_{(RMS)}$

The parameters in the table are the ratings and characteristics of each diode chip in module

Suitable for types: MD, MDC, MDK, MDA

Product Model	Maximum Load Current	Line Voltage Range	Recommended cooling solution	Electronic manual
MDK55	55A	800-2500VAC		download
MDK40	40A	800-2500VAC		download
MDK25	25A	800-2500VAC		download
MDA500	500A	800-2500VAC		download
MDA400	400A	800-2500VAC		download

MDA350	350A	800-2500VAC	 	download
MDA300	300A	800-2500VAC	 	download
MDA250	250A	800-2500VAC	 	download
MDA200	200A	800-2500VAC	 	download
MDA160	160A	800-2500VAC	 	download
MDA130	130A	800-2500VAC	 	download
MDA110	110A	800-2500VAC	 	download
MDA90	90A	800-2500VAC	 	download
MDA70	70A	800-2500VAC	 	download
MDA55	55A	800-2500VAC	 	download
MDA40	40A	800-2500VAC	 	download
MDA25	25A	800-2500VAC	 	download
MDC500	500A	800-2500VAC	 	download
MDC400	400A	800-2500VAC	 	download
MDC350	350A	800-2500VAC	 	download

- [Diode & Rectifier Modules](#) » [Diode modules](#)


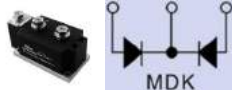
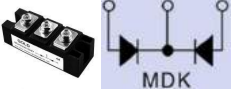
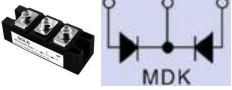
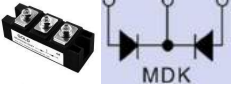
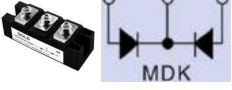



$I_{F(AV)}=20A \sim 500A$, $V_{RRM}=800V \sim 5000V$, $T_{jm}=150^{\circ}C$, $V_{ISO} \geq 2.5KV_{(RMS)}$

The parameters in the table are the ratings and characteristics of each diode chip in module

Suitable for types: MD, MDC, MDK, MDA

Product Model	Maximum Load Current	Line Voltage Range	Recommended cooling solution	Electronic manual
MD20	20A	800-2500VAC		download
MD50	50A	800-2500VAC		download
MD100	100A	800-2500VAC		download
MD200	200A	800-2500VAC		download
MD250	250A	800-2500VAC		download
MD300	300A	800-2500VAC		download
MD350	350A	800-2500VAC		download
MD400	400A	800-2500VAC		download
MD500	500A	800-2500VAC		download
MDK500	500A	800-2500VAC		download
MDK400	400A	800-2500VAC		download
MDK350	350A	800-2500VAC		download
MDK300	300A	800-2500VAC		download

MDK250	250A	800-2500VAC		download
MDK200	200A	800-2500VAC		download
MDK160	160A	800-2500VAC		download
MDK130	130A	800-2500VAC		download
MDK110	110A	800-2500VAC		download
MDK90	90A	800-2500VAC		download
MDK70	70A	800-2500VAC		download

www.tiristor.by

модуль, мост, Минск т.80447584780

www.fotorele.net www.tiristor.by радиодетали, электронные компоненты

email minsk17@tut.by tel.+375 29 758 47 80 МТС

модуль, тиристор, симистор, однофазный, трехфазный, каталог, описание, технические, характеристики, datasheet, параметры, маркировка, габариты, фото, даташит,



QR код

www.tiristor.by