



Cooling Simplified

AC / DC FANS & BLOWERS

в Беларуси Минск г. Минск viberg и тел. +375447584760 email. minsk17@tut.by www.tristor.by



AC and DC Fans & Blowers



Mechatronics Fan Group has been delivering thermal management solutions to a wide range of applications for over 30 years. Our extensive North American inventory, value-add assembly, technical sales, and design support teams will accelerate your time to market. Mechatronics is a thermal management leader supplying a broad range of standard and custom AC Fans, DC Fans, Blowers, Impellers and accessories. Mechatronics provides the right solution on time with quality product to help our customers meet their goals.

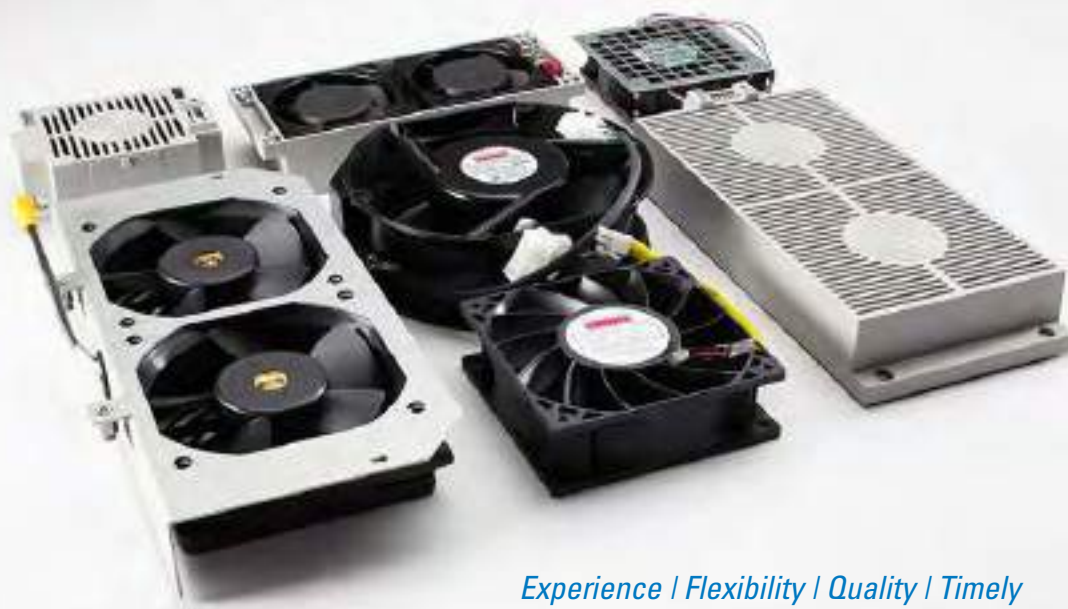
TOC



Cooling Simplified

www.mechatronics.com

Value Add *(see page 60)*



Experience | Flexibility | Quality | Timely

DC AXIAL FANS

DC AXIAL PART NUMBERING SYSTEM 2

MA2506 (25 x 25 x 6.1 mm) 0.98 x 0.98 x 0.24 in. 3

MA3010 (30 x 30 x 10 mm) 1.18 x 1.18 x 0.39 in. 3

MA3828 (38 x 38 x 28 mm) 1.50 x 1.50 x 1.10 in. 4

G4010 (40 x 40 x 10.3 mm) 1.57 x 1.57 x 0.41 in. 4

G4015 (40 x 40 x 15 mm) 1.57 x 1.57 x 0.59 in. 5

G4020 (40 x 40 x 20 mm) 1.57 x 1.57 x 0.79 in. 5

MD4028 (40 x 40 x 28 mm) 1.57 x 1.57 x 1.10 in. 6

M5010 (50 x 50 x 10 mm) 1.97 x 1.97 x 0.39 in. 6

G5015 (50 x 50 x 15 mm) 1.97 x 1.97 x 0.59 in. 7

M5210 (52 x 52 x 10 mm) 2.04 x 2.04 x 0.39 in. 7

MB6010 (60 x 60 x 10 mm) 2.36 x 2.36 x 0.39 in. 8

G6015-G (60 x 60 x 15 mm) 2.36 x 2.36 x 0.60 in. 8

MD6020 (60 x 60 x 20 mm) 2.36 x 2.36 x 0.79 in. 9

F6025-H (60 x 60 x 25 mm) 2.36 x 2.36 x 0.98 in. 9

ME6038 (60 x 60 x 38 mm) 2.36 x 2.36 x 1.50 in. 10

MQ6038 (60 x 60 x 38 mm) 2.36 x 2.36 x 1.50 in. 10

G8015-G (80 x 80 x 15 mm) 3.15 x 3.15 x 0.59 in. 11

G8020 (80 x 80 x 20 mm) 3.15 x 3.15 x 0.79 in. 11

F8025-H (80 x 80 x 25 mm) 3.15 x 3.15 x 0.98 in. 12

G8032 (80 x 80 x 32 mm) 3.15 x 3.15 x 1.26 in. 12

MC8038 (80 x 80 x 38 mm) 3.15 x 3.15 x 1.50 in. 13

MQ8038 (80 x 80 x 38 mm) 3.15 x 3.15 x 1.50 in. 13

E9225 (92 x 92 x 25 mm) 3.62 x 3.62 x 0.98 in. 14

G9225-G (92 x 92 x 25 mm) 3.62 x 3.62 x 0.98 in. 14

G9232 (92 x 92 x 32 mm) 3.62 x 3.62 x 1.24 in. 15

MD9238 (92 x 92 x 38 mm) 3.62 x 3.62 x 1.50 in. 15

E1225 (120 x 120 x 25 mm) 4.72 x 4.72 x 0.98 in. 16

G1225 (120 x 120 x 25 mm) 4.72 x 4.72 x 0.98 in. 16

G1238 (120 x 120 x 38 mm) 4.69 x 4.69 x 1.50 in. 17

MD1238 (120 x 120 x 38 mm) 4.72 x 4.72 x 1.50 in. 17

MQ1238 (120 x 120 x 38 mm) 4.72 x 4.72 x 1.50 in. 18

G1338 (127 x 127 x 38 mm) 5.0 x 5.0 x 1.50 in. 18

MA1751 (172 x 150 x 50.8 mm) 6.77 x 5.91 x 2.0 in. 19

MM1865 (180 x 180 x 65 mm) 7.09 x 7.09 x 2.56 in. 19

MM2072 (208 x 208 x 72 mm) 8.19 x 8.19 x 2.83 in. 20

MM2260 (222 dia. x 60 mm) 8.74 dia. x 1.50 in. 20

MM2280 (222 dia. x 80 mm) 8.74 dia. x 3.15 in. 21

MM2589 (255 dia. x 89 mm) 10.04 dia. x 3.50 in. 21

MM22580H (225 x 225 x 80 mm) 8.86 x 8.86 x 3.15 in. 22

MM28080H (280 x 280 x 80 mm) 11.02 x 11.02 x 3.15 in. 22

DC BLOWERS

B5015 (51 x 51 x 15 mm) 2.01 x 2.01 x .62 in. 23

B6025 (60 x 60 x 25 mm) 2.36 x 2.36 x 0.98 in. 23

B7530 (76 x 76 x 30 mm) 2.98 x 2.98 x 1.18 in. 24

MXB9733 (97 x 94.4 x 33 mm) 3.82 x 3.72 x 1.30 in. 24

B1232 (120 x 120 x 32 mm) 4.70 x 4.70 x 1.24 in. 25

B1232-SR (125 x 125 x 33.5 mm) 4.92 x 4.92 x 1.32 in. 25

DC ENGINEERING 26

AC AXIAL FANS

AC AXIAL PART NUMBERING SYSTEM 27

UF60D (60 x 60 x 30 mm) 2.36 x 2.36 x 1.18 in. 28

UF80B (80 x 80 x 25 mm) 3.15 x 3.15 x 0.98 in. 28

UF80A (80 x 80 x 38 mm) 3.15 x 3.15 x 1.50 in. 29

UF92B (92 x 92 x 25 mm) 3.62 x 3.62 x 0.98 in. 29

UF92A (92 x 92 x 38 mm) 3.62 x 3.62 x 1.50 in. 30

UF92AM (92 x 92 x 38 mm) 3.62 x 3.62 x 1.50 in. 30

UF12B (120 x 120 x 25 mm) 4.69 x 4.69 x 0.98 in. 31

UF12A (120 x 120 x 38 mm) 4.69 x 4.69 x 1.50 in. 31

UF12AR (120 x 120 x 38 mm) 4.69 x 4.69 x 1.50 in. 32

UF12AM (120 x 120 x 38 mm) 4.69 x 4.69 x 1.50 in. 32

UF13A (127 x 127 x 38 mm) 5.0 x 5.0 x 1.50 in. 33

UF15AC (172 x 150 x 38 mm) 6.77 x 5.91 x 1.50 in. 33

UF15PC (172 x 150 x 51 mm) 6.77 x 5.91 x 2.0 in. 34

UF15KC (172 x 150 x 55 mm) 6.77 x 5.91 x 2.17 in. 34

UF15KM (172 x 150 x 55 mm) 6.77 x 5.91 x 2.17 in. 35

UF15KMR (172 x 150 x 55 mm) 6.77 x 5.91 x 2.17 in. 35

UF17PC (172 dia. x 51 mm) 6.77 dia. x 2.0 in. 36

UF16FC (160 x 160 x 62 mm) 6.30 x 6.30 x 2.44 in. 36

UF18JC (180 x 180 x 90 mm) 7.09 x 7.09 x 3.54 in. 37

UF20JC (205 x 205 x 90 mm) 8.07 x 8.07 x 3.54 in. 37

UF25GC (254 dia. x 89 mm) 10.0 dia. x 3.50 in. 38

UF25HC (254 dia. x 107 mm) 10.0 dia. x 4.21 in. 38

UF200BMB-H2 (225 x 225 x 80 mm) 8.86 x 8.86 x 3.15 in. 39

UF250BMB-H1 (280 x 280 x 80 mm) 11.0 x 11.0 x 3.15 in. 40

UF300BNA (398 dia x 98.3 mm) 15.67 dia x 3.87 in. 41

AC ENGINEERING 42

AC BLOWERS

AC BLOWERS/IMPELLERS PART NUMBERING SYSTEM 43

UF90DPB (120 x 120 x 37 mm) 4.72 x 4.72 x 1.46 in. 44

UF160DPB (220 x 220 x 56.2 mm) 8.66 x 8.66 x 2.21 in. 44

AC IMPELLERS

UF133(72) (133 dia. x 91 mm) 3.62 x 3.62 x 1.5 in. .. 45

UF133(91)APA (133 dia. x 91 mm) 5.22 dia. x 3.60 in. 45

UF175AMA (175 dia x 55 mm) 6.89 dia. x 2.16 in. 46

UF180APA (182 dia. x 84.9 mm) 7.18 dia. x 3.34 in. 46

UF180(55)APA (182 dia. x 55 mm) 7.18 dia. x 2.17 in. 47

UF190APA (190 dia. x 70 mm) 7.48 dia. x 2.75 in. 47

UF190APA-F (235 dia. x 87.2 mm) 9.25 dia. x 3.43 in. 48

UF220APA (223 dia. x 71 mm) 8.78 dia. x 2.79 in. 48

UF220APA-F (259 dia. x 97.8 mm) 10.20 dia. x 3.83 in. .. 49

UF225(69)APA (255 dia. x 69 mm) 8.86 dia. x 2.72 in. 49

UF225(85)APA (225 dia. x 85 mm) 8.86 dia. x 3.35 in. 50

UF225(99)APA (225 dia. x 99 mm) 8.86 dia. x 3.90 in. 50

UF225(99)APA-F (259 dia. x 117 mm) 10.20 dia. x 4.62 in. .. 51

UF250APA (251 dia. x 98 mm) 9.90 dia. x 3.86 in. 51

UF250APA-F (259 dia. x 131 mm) 10.20 dia. x 5.15 in. .. 52

UF318AAA (318 dia. x 154 mm) 12.5 dia. x 6.08 in. 52

UF360AAA (360 dia. x 167.3 mm) 14.17 dia. x 6.59 in. .. 53

UF400AAA (400 dia. x 162.4 mm) 15.75 dia. x 6.39 in. .. 53

AC ENGINEERING 54

ACCESSORIES

ACCESSORIES OFFERING 55

IP55 FILTERS 56

FINGER GUARDS 58

CORDS 59

VALUE ADD

CAPABILITIES 60

Warranty, Errors & Omissions
 Mechtronics Fan Group of Mechtronics, Inc. assumes no responsibility for errors or omissions in this catalog. Mechtronics reserves the right to change information or specifications without notice. Application and use of this product is the sole responsibility of the user, however our personnel will advise you of guidelines for the proper parameters of use of the product. Mechtronics warrants the product to be free from defects in materials and workmanship only. Sellers only obligation hereunder is to either repair or replace the defective product or work within 12 months of product delivery to our customers. No other warranties are expressed or implied in fact or by law. Mechtronics is not liable for associated costs of work done by the buyer involving our product, or altered product.



DC AXIAL FANS & BLOWERS

[PART NUMBERING SYSTEM]

F 60 25 E 12 B _ 1 - F H R - TTL

DC SERIES

A, B, E, F, G, M, . . . etc

FRAME SIZE

25 25mm	97 97mm
30 30mm	12 120mm
38 38mm	13 127mm
40 40mm	17 172x150mm
50 50mm, 51mm	18 180mm
52 52mm	20 208mm
60 60mm	22 222mm
75 75mm	225 ... 225mm
80 80mm	25 255mm
92 92mm	280 ... 280mm

FRAME THICKNESS

06 6.1mm	38 38mm
10 10mm	51 51mm
15 15mm	60 60mm
20 20mm	65 65mm
25 25mm	72 72mm
28 28mm	80 80mm
30 30mm	89 89mm
32 32mm	
33 33mm	

AIR FLOW

S, L, M, H, E, X, U, V

VOLTAGE

05 5 VDC
12 12 VDC
24 24 VDC
48 48 VDC

BEARINGS

B 2 Ball Bearing
C 1 Ball & 1 Sleeve
D Sleeve

SPECIAL OPTIONS

CC Conformal coated motor
GB Enhanced conformal coating process
EM..... IP57 Encapsulated motor
TTL..... Tachometer or locked rotor output signal is 5VDC ±0.5
WS Open collector alarm output signal

ROHS COMPLIANT

IMPELLER STYLE

SStandard
HHigh-pressure
GEnhanced airflow

HOUSING STYLE

R Ribbed style (25, 28, 30, 40, 50, 60, & 80mm)
F Flanged style (60, 80, 92, 120, 127, 172mm)
B Blower

OPTIONS

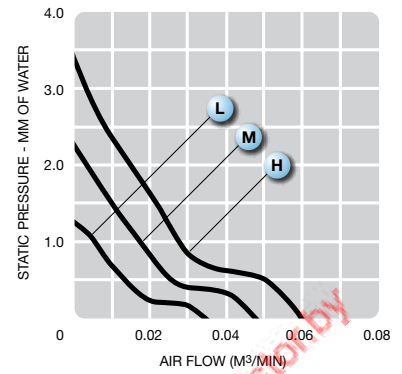
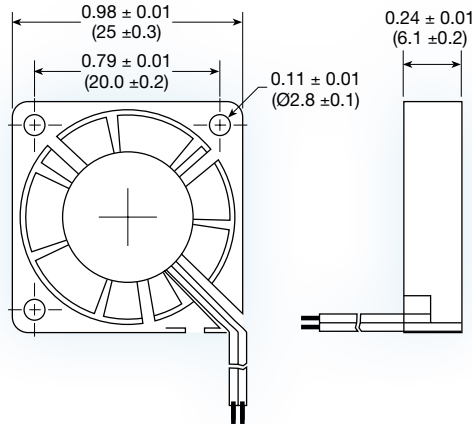
1 Tachometer
2 Locked rotor output
3 or 4.. Thermistor speed control
5 Dual speed
6 PWM speed control

CONNECTION TYPE

Blank... UL1007 or UL1061 lead wires
T 0.110 x 0.020 Faston male terminals(Terminals available on selected models)

Cooling Simplified

MA2506 series



(25 x 25 x 6.1 mm)

0.98 x 0.98 x 0.24 inches

Construction: UL94V-0 PBT impeller & frame

Bearing option: ball bearing or sleeve

Connection: AWG 30, UL1007 lead wires

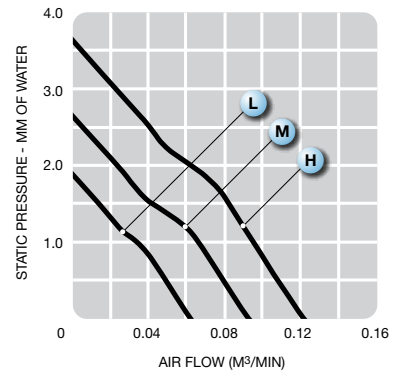
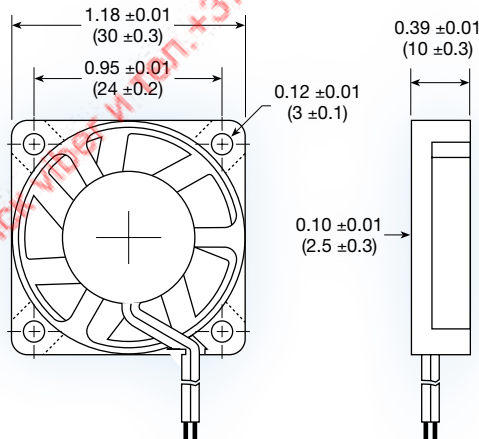
Frame: ribbed

Protection: thermal

Options: tachometer output signal

Model No.	Rated Voltage V	Operating Voltage V	Current mA	Speed RPM	Air Volume		Max. Static Pressure (H ₂ O)		Sound Noise dBa	Weight g
					M ³ /Min.	CFM	MM	INCH		
MA2506L	5	3 - 6.5	50	6,500	0.03	1.22	1.25	0.05	11.0	8
MA2506M	5	3 - 6.5	60	8,500	0.05	1.65	2.30	0.09	19.0	8
MA2506H	5	3 - 6.5	70	10,500	0.06	2.08	3.37	0.13	25.5	8

MA3010 series



(30 x 30 x 10 mm)

1.18 x 1.18 x 0.39 inches

Construction: UL94V-0 PBT impeller & frame

Bearing option: ball bearing or sleeve

Connection: AWG 30, UL1007 lead wires

Frame: ribbed

Protection: thermal

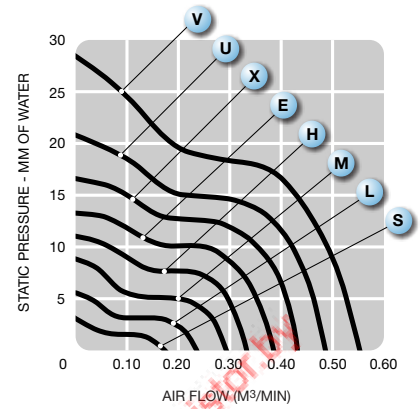
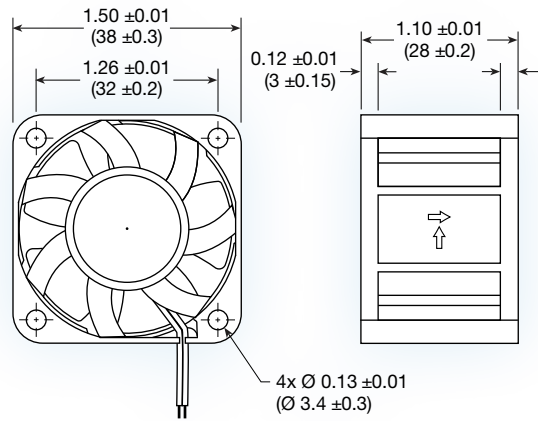
Options: tachometer output signal

Airflow: air intake over struts

Model No.	Rated Voltage V	Operating Voltage V	Current mA	Speed RPM	Air Volume		Max. Static Pressure (H ₂ O)		Sound Noise dBa	Weight g
					M ³ /Min.	CFM	MM	INCH		
MA3010L	5	3 - 6.5	60	5,000	0.06	2.15	1.85	0.07	15	8
MA3010M	5	3 - 6.5	70	7,000	0.09	3.17	2.64	0.11	21	8
MA3010H	5	3 - 6.5	140	9,000	0.12	4.22	3.77	0.15	28	8
MA3010L	12	7 - 13.8	40	5,000	0.06	2.15	1.85	0.07	15	8
MA3010M	12	7 - 13.8	70	7,000	0.09	3.17	2.64	0.11	21	8
MA3010H	12	7 - 13.8	100	9,000	0.12	4.22	3.77	0.15	28	8

MA3828 series

HIGH PERFORMANCE

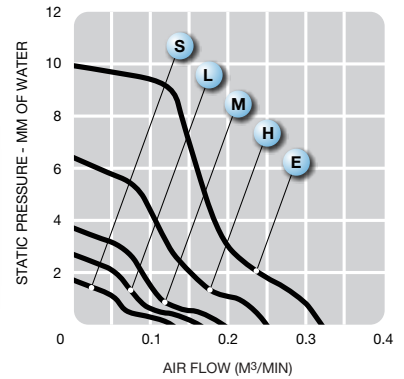
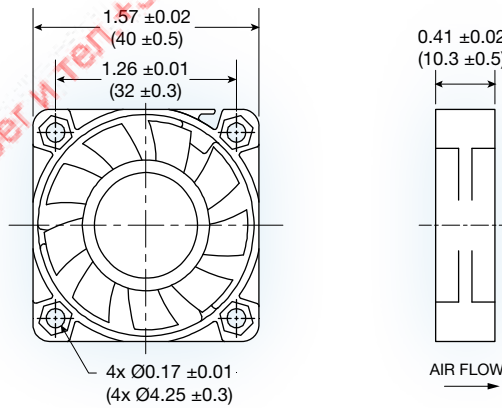


(38 x 38 x 28 mm)
1.50 x 1.50 x 1.10 inches

- Construction: UL94V-0 PBT impeller & frame
- Bearing option: ball bearing
- Connection: AWG 26, UL1007 lead wires
- Frame: ribbed
- Protection: thermal
- Options: tachometer output or locked rotor alarm signal; PWM speed control

Model No.	Rated Voltage V	Operating Voltage V	Current mA	Speed RPM	Air Volume		Max. Static Pressure (H ₂ O)		Sound Noise dbA	Weight g
					M ³ /Min.	CFM	MM	INCH		
MA3828S	12	7 - 13.2	50	5,000	0.176	6.20	3.39	0.136	30.8	35
MA3828L	12	7 - 13.2	85	6,500	0.233	8.28	5.50	0.220	33.2	35
MA3828M	12	7 - 13.2	140	8,000	0.288	10.18	8.97	0.350	37.2	35
MA3828H	12	7 - 13.2	200	9,200	0.333	11.75	11.05	0.442	39.0	35
MA3828E	12	7 - 13.2	240	10,300	0.381	13.44	13.50	0.540	41.0	35
MA3828X	12	7 - 13.2	350	11,500	0.426	15.01	16.83	0.698	43.0	35
MA3828U	12	7 - 13.2	520	13,000	0.482	16.96	21.50	0.866	47.5	35
MA3828V	12	7 - 13.2	650	15,000	0.556	19.57	28.63	1.145	53.1	35

G4010 series

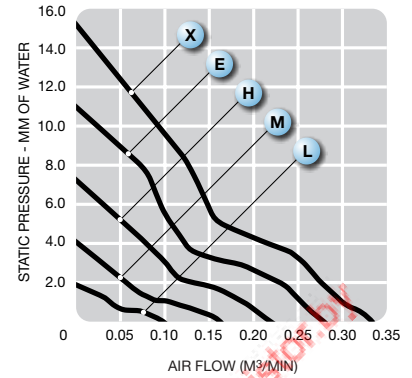
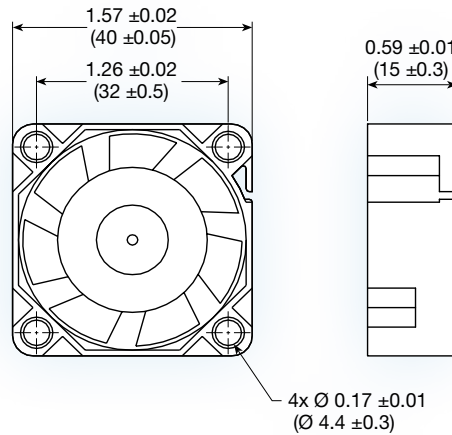


(40 x 40 x 10.3 mm)
1.57 x 1.57 x 0.41 inches

- Construction: UL94V-0 PBT impeller & frame
- Bearing option: ball bearing
- Connection: AWG 26, UL1061 lead wires
- Frame: ribbed
- Protection: thermal
- Options: tachometer output or locked rotor alarm signal

Model No.	Rated Voltage V	Current mA			Speed RPM	Air Volume		Max. Static Pressure (H ₂ O)		Sound Noise dbA	Weight g
		5	12	24		M ³ /Min.	CFM	MM	INCH		
G4010S	5/12	90	60	-	4,000	0.13	5.00	1.70	0.07	21	12
G4010L	5/12/24	140	100	70	5,000	0.16	6.00	2.70	0.11	22	12
G4010M	5/12/24	240	150	100	6,000	0.19	7.00	3.70	0.15	28	12
G4010H	5/12/24	400	220	160	8,000	0.25	9.00	6.40	0.25	35	12
G4010E	12/24	-	350	250	10,000	0.32	11.00	9.90	0.39	41	12

G4015 series

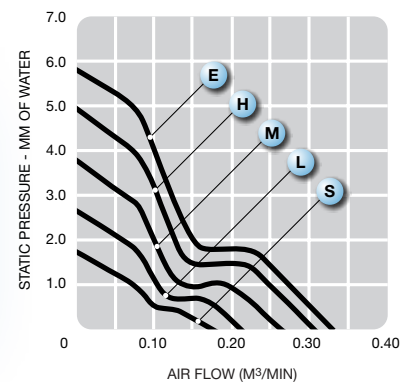
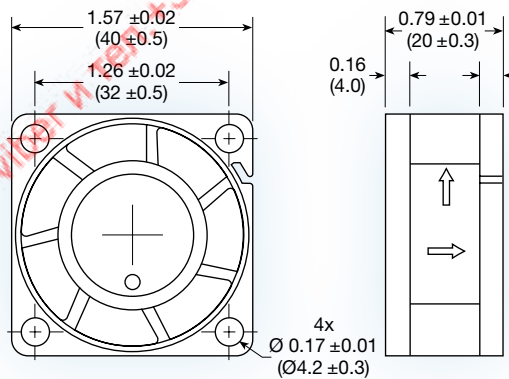


(40 x 40 x 15 mm)
1.57 x 1.57 x 0.59 inches

Construction:	UL94V-0 PBT impeller & frame
Bearing option:	ball bearing
Connection:	AWG 26, UL1061 lead wires
Frame:	ribbed
Protection:	thermal
Options:	tachometer output or locked rotor alarm signal; PWM speed control

Model No.	Rated Voltage V	Current mA			Speed RPM	Air Volume		Max. Static Pressure (H ₂ O)		Sound Noise dbA	Weight g
		5	12	24		M³/Min.	CFM	MM	INCH		
G4015L	5/12/24	200	80	50	4,000	0.10	4.00	1.84	0.07	20	23
G4015M	5/12/24	300	130	70	6,000	0.16	6.00	4.08	0.16	23	23
G4015H	5/12/24	400	200	90	8,000	0.22	8.00	7.24	0.29	29	23
G4015E	12/24	-	270	110	10,000	0.28	10.00	11.02	0.43	35	23
G4015X	12/24	-	350	160	12,000	0.33	12.00	15.31	0.60	39	23

G4020 series



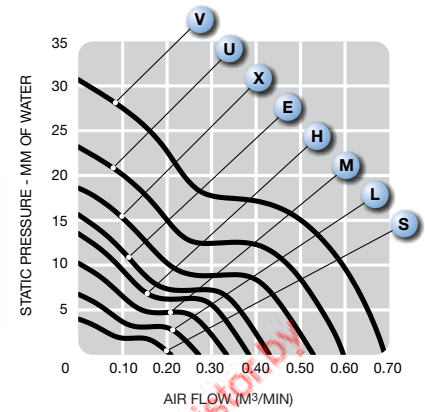
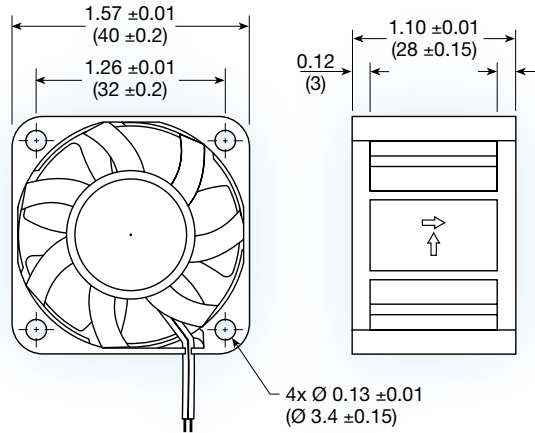
(40 x 40 x 20 mm)
1.57 x 1.57 x 0.79 inches

Construction:	UL94V-0 PBT impeller & frame
Bearing option:	ball bearing or sleeve
Connection:	AWG 26, UL1007 lead wires
Frame:	ribbed
Protection:	thermal
Options:	tachometer output or locked rotor alarm signal; encapsulated motor; PWM speed control

Model No.	Rated Voltage V	Current mA			Speed RPM	Air Volume		Max. Static Pressure (H ₂ O)		Sound Noise dbA	Weight g
		5	12	24		M³/Min.	CFM	MM	INCH		
G4020S	5/12	120	50	-	4,000	0.18	6.00	1.74	0.07	21	28
G4020L	5/12	160	70	-	5,000	0.22	8.00	2.66	0.11	23	28
G4020M	5/12/24	220	95	65	6,000	0.26	9.00	3.75	0.15	26	28
G4020H	5/12/24	300	130	80	7,000	0.31	11.00	4.98	0.20	29	28
G4020E	5/12/24	440	160	110	8,000	0.33	11.70	5.81	0.23	32	28

MD4028 series

HIGH PERFORMANCE

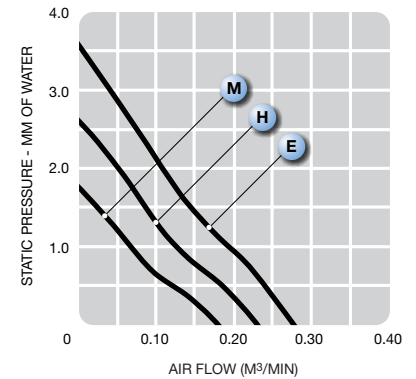
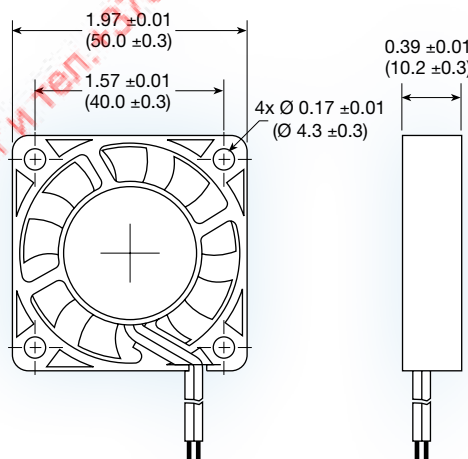


(40 x 40 x 28 mm)
1.57 x 1.57 x 1.10 inches

- Construction: UL94V-0 PBT impeller & frame
- Bearing option: ball bearing
- Connection: AWG 26, UL1007 lead wires
- Frame: ribbed
- Protection: thermal
- Options: tachometer output or locked rotor alarm signal; PWM speed control

Model No.	Rated Voltage V	Current mA		Speed RPM	Air Volume		Max. Static Pressure (H ₂ O)		Sound Noise dbA	Weight g
		12	24		M ³ /Min.	CFM	MM	INCH		
MD4028S	12/24	70	50	5,000	0.209	7.38	4.05	0.159	30.8	50
MD4028L	12/24	100	70	6,500	0.272	9.59	6.75	0.266	33.2	50
MD4028M	12/24	140	90	8,000	0.335	11.82	10.23	0.403	37.2	50
MD4028H	12/24	210	120	9,200	0.384	13.57	13.53	0.533	41.0	50
MD4028E	12/24	240	140	10,300	0.430	15.19	16.96	0.670	44.0	50
MD4028X	12/24	350	180	11,500	0.529	18.67	17.72	0.709	47.3	50
MD4028U	12	520	-	13,000	0.598	21.11	22.64	0.906	50.0	50
MD4028V	12	650	-	15,000	0.690	24.35	30.14	1.206	53.1	50

M5010 series

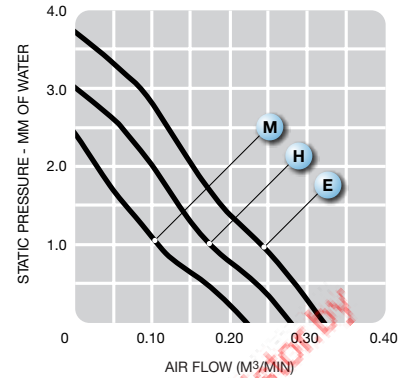
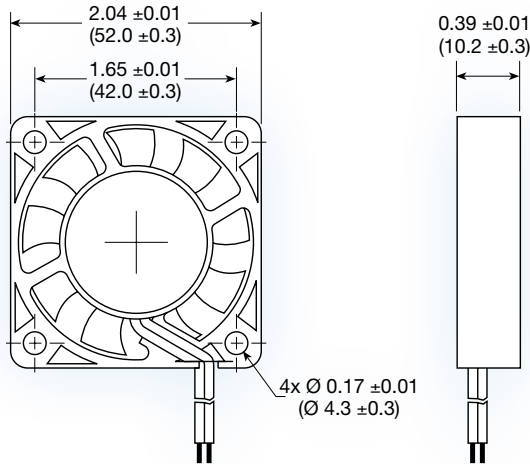


(50 x 50 x 10 mm)
1.97 x 1.97 x 0.39 inches

- Construction: UL94V-0 PBT impeller & frame
- Bearing option: ball bearing or sleeve
- Connection: AWG 26, UL1007 lead wires
- Frame: ribbed
- Protection: impedance
- Options: tachometer output signal

Model No.	Rated Voltage V	Operating Voltage V	Current mA	Speed RPM	Air Volume		Max. Static Pressure (H ₂ O)		Sound Noise dbA	Weight g
					M ³ /Min.	CFM	MM	INCH		
M5010M	5	3-6.0	60	4,000	0.18	6.36	1.77	0.07	24	20
M5010H	5	3-6.0	80	5,000	0.23	8.12	2.63	0.11	26	20
M5010E	5	3-6.0	150	6,000	0.28	9.89	3.60	0.14	28	20
M5010M	12	7-13.8	60	4,000	0.18	6.36	1.77	0.07	24	20
M5010H	12	7-13.8	70	5,000	0.23	8.12	2.63	0.11	26	20
M5010E	12	7-13.8	120	6,000	0.28	9.89	3.60	0.14	28	20

M5210 series

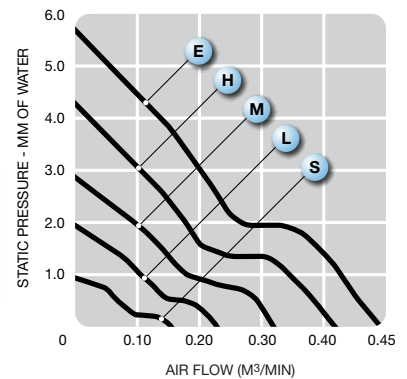
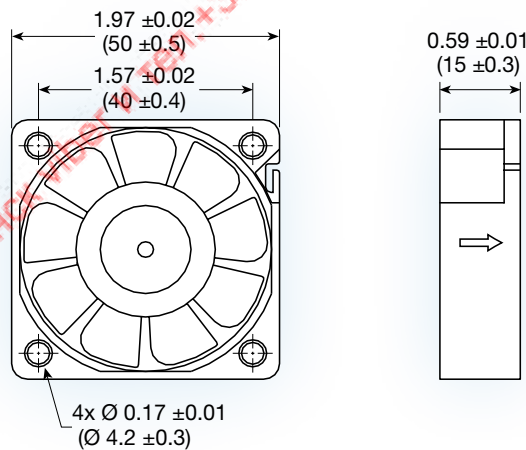


(52 x 52 x 10 mm)
2.04 x 2.04 x 0.39 inches

- Construction: UL94V-0 PBT impeller & frame
- Bearing option: ball bearing or sleeve
- Connection: AWG 26, UL1007 lead wires
- Frame: ribbed
- Protection: impedance
- Options: tachometer output signal

Model No.	Rated Voltage V	Operating Voltage V	Current mA	Speed RPM	Air Volume		Max. Static Pressure (H ₂ O)		Sound Noise dbA	Weight g
					M ³ /Min.	CFM	MM	INCH		
M5210M	5	3 - 6.0	80	4,000	0.22	7.77	2.40	0.10	24	20
M5210H	5	3 - 6.0	160	5,000	0.28	9.89	3.00	0.12	26	20
M5210M	12	7- 13.8	70	4,000	0.22	7.77	2.40	0.10	24	20
M5210H	12	7- 13.8	100	5,000	0.28	9.89	3.00	0.12	26	20
M5210E	12	7- 13.8	120	6,000	0.32	11.30	3.70	0.15	28	20

G5015 series



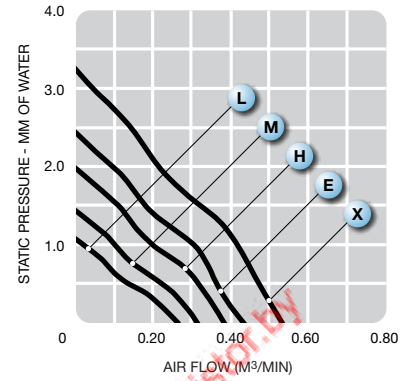
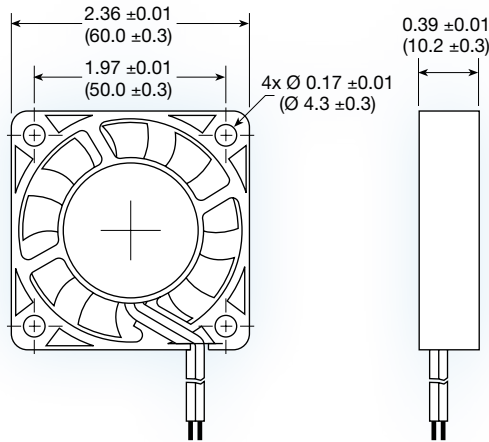
(50 x 50 x 15 mm)
1.97 x 1.97 x 0.59 inches

- Construction: UL94V-0 PBT impeller & frame
- Bearing option: ball bearing
- Connection: AWG 26, UL1061 lead wires
- Frame: ribbed
- Protection: thermal
- Options: tachometer output or locked rotor alarm signal; PWM speed control

Model No.	Rated Voltage V	Current mA			Speed RPM	Air Volume		Max. Static Pressure (H ₂ O)		Sound Noise dbA	Weight g
		5	12	24		M ³ /Min.	CFM	MM	INCH		
G5015S	5/12/24	150	80	70	2,500	0.15	5.00	0.92	0.04	20	35
G5015L	5/12/24	220	130	100	3,500	0.22	8.00	1.94	0.08	22	35
G5015M	5/12/24	300	200	140	4,500	0.31	11.00	2.86	0.11	24	35
G5015H	5/12/24	400	280	180	5,500	0.37	13.00	4.29	0.17	29	35
G5015E	12/24	-	400	250	6,500	0.44	16.00	5.71	0.22	34	35

MB6010 series

THIN PROFILE

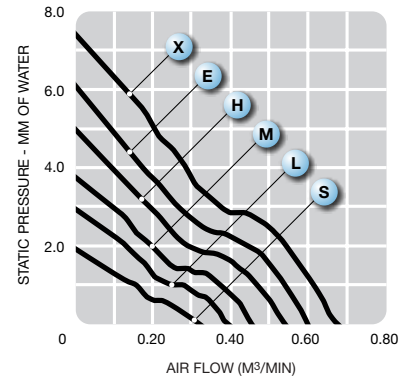
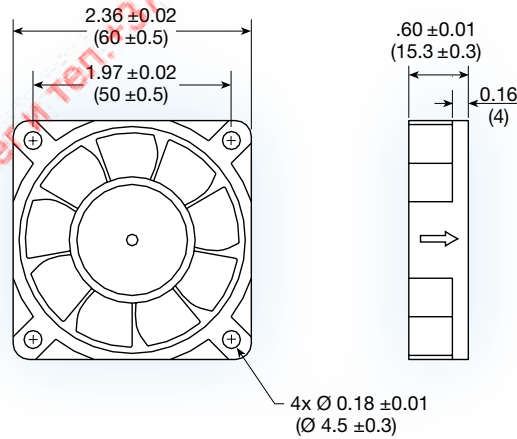


(60 x 60 x 10 mm)
2.36 x 2.36 x 0.39 inches

- Construction: UL94V-0 PBT impeller & frame
- Bearing option: ball bearing
- Connection: AWG 26, UL1007 lead wires
- Frame: ribbed
- Protection: thermal
- Options: tachometer output or locked rotor alarm signal

Model No.	Rated Voltage V	Operating Voltage V	Current mA	Speed RPM	Air Volume		Max. Static Pressure (H ₂ O)		Sound Noise dbA	Weight g
					M ³ /Min.	CFM	MM	INCH		
MB6010L	12	6 - 13.8	50	2,700	0.27	9.35	1.07	0.04	19.0	26
MB6010M	12	6 - 13.8	80	3,200	0.31	11.04	1.43	0.06	22.5	26
MB6010H	12	6 - 13.8	120	3,900	0.38	13.48	1.98	0.08	28.0	26
MB6010E	12	6 - 13.8	140	4,400	0.43	15.30	2.43	0.10	30.5	26
MB6010X	12	6 - 13.8	160	5,300	0.53	18.65	3.22	0.13	35.0	26

G6015-G series

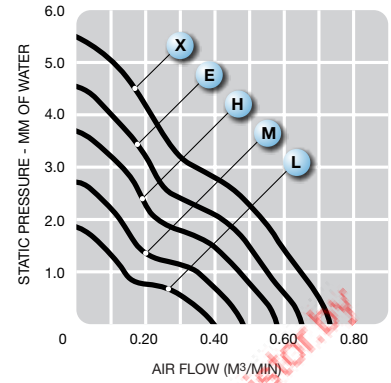
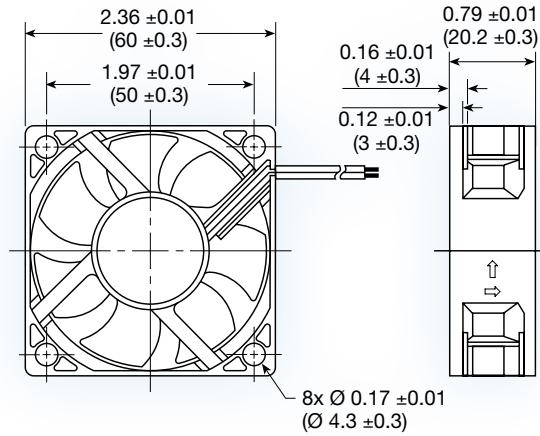


(60 x 60 x 15 mm)
2.36 x 2.36 x 0.60 inches

- Features:** high static pressure impeller design
- Construction: UL94V-0 PBT impeller & frame
 - Bearing option: ball bearing
 - Connection: AWG 26, UL1007 lead wires
 - Frame: ribbed
 - Protection: thermal
 - Options: tachometer output or locked rotor alarm signal; encapsulated motor; PWM speed control

Model No.	Rated Voltage V	Current mA			Speed RPM	Air Volume		Max. Static Pressure (H ₂ O)		Sound Noise dbA	Weight g
		5	12	24		M ³ /Min.	CFM	MM	INCH		
G6015S-G	5/12	90	70	-	2,800	0.32	11.0	1.94	0.08	21	26
G6015L-G	5/12/24	130	90	65	3,400	0.39	14.0	2.96	0.12	25	26
G6015M-G	5/12/24	220	110	75	4,000	0.46	16.0	3.78	0.15	28	26
G6015H-G	5/12/24	280	130	95	4,600	0.54	19.0	5.00	0.20	30	26
G6015E-G	5/12/24	350	180	110	5,200	0.60	21.0	6.12	0.24	32	26
G6015X-G	12/24	-	230	130	5,800	0.68	24.0	7.45	0.29	35	26

MD6020 series

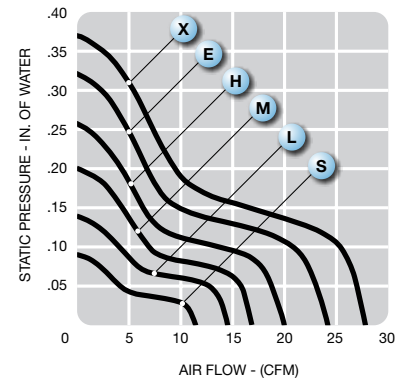
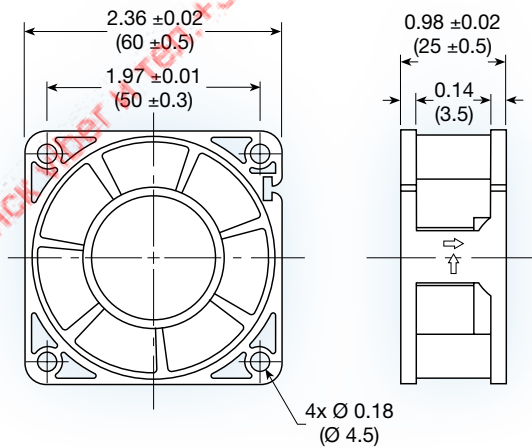


(60 x 60 x 20 mm)
2.36 x 2.36 x 0.79 inches

- Construction: UL94V-0 PBT impeller & frame
- Bearing option: ball bearing or sleeve
- Connection: AWG 26, UL1007 lead wires
- Frame: flanged
- Protection: thermal
- Options: tachometer output or locked rotor alarm signal

Model No.	Rated Voltage V	Operating Voltage V	Current mA	Speed RPM	Air Volume		Max. Static Pressure (H ₂ O)		Sound Noise dbA	Weight g
					M ³ /Min.	CFM	MM	INCH		
MD6020L	12	6 - 13.8	100	2,700	0.39	13.9	1.88	0.07	23.0	43
MD6020M	12	6 - 13.8	120	3,200	0.48	16.9	2.75	0.11	27.5	43
MD6020H	12	6 - 13.8	160	3,900	0.58	20.4	3.72	0.15	31.0	43
MD6020E	12	6 - 13.8	220	4,400	0.65	23.0	4.56	0.18	33.5	43
MD6020X	12	6 - 13.8	300	4,900	0.73	25.8	5.51	0.22	37.0	43

F6025-H series

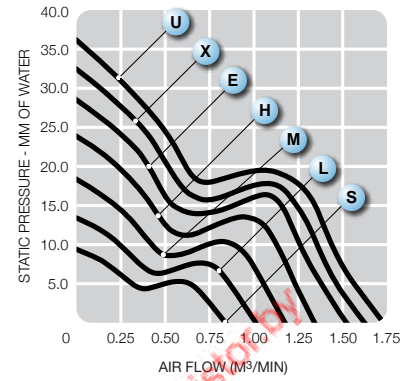
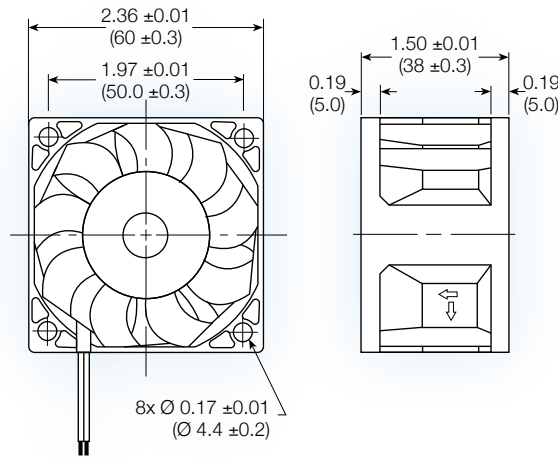


(60 x 60 x 25 mm)
2.36 x 2.36 x 0.98 inches

- Construction: UL94V-0 PBT impeller & frame
- Bearing option: ball bearing
- Connection: AWG 24, UL1007 lead wires
- Frame: flanged or ribbed
- Protection: thermal
- Options: tachometer output or locked rotor alarm signal; thermistor speed control; encapsulated motor; PWM speed control

Model No.	Rated Voltage V	Current mA		Speed RPM	Air Volume		Max. Static Pressure (H ₂ O)		Sound Noise dbA	Weight g
		12	24		M ³ /Min.	CFM	MM	INCH		
F6025S-H	12/24	75	40	2,400	0.33	12	2.25	0.09	22	63
F6025L-H	12/24	85	45	3,000	0.39	14	3.50	0.14	25	63
F6025M-H	12/24	95	55	3,600	0.48	17	5.00	0.20	28	63
F6025H-H	12/24	140	80	4,200	0.57	20	6.50	0.26	32	63
F6025E-H	12/24	230	125	5,000	0.67	24	8.00	0.32	37	63
F6025X-H	12/24	330	170	5,800	0.79	28	9.25	0.37	42	63

ME6038 series

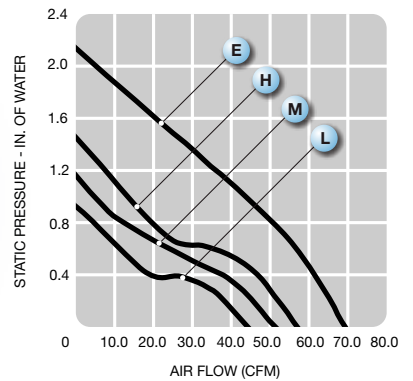
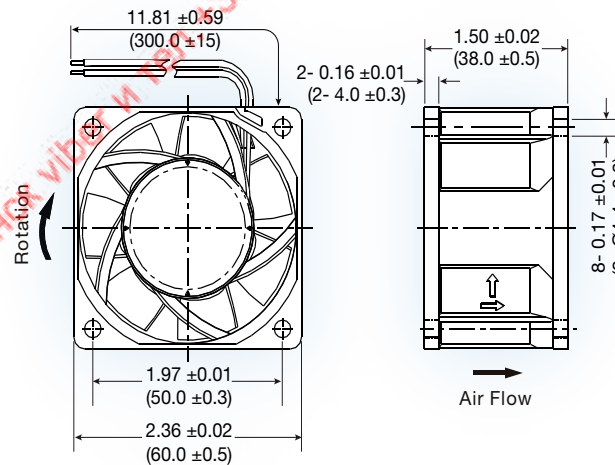


(60 x 60 x 38 mm)
2.36 x 2.36 x 1.50 inches

- Construction: UL94V-0 PBT impeller & frame
- Bearing option: ball bearing
- Connection: AWG 26, UL1007 lead wires
- Frame: flanged
- Protection: thermal
- Options: tachometer output or locked rotor signal; PWM speed control

Model No.	Rated Voltage V	Operating Voltage V	Current A	Speed RPM	Air Volume		Max. Static Pressure (H ₂ O)		Sound Noise dbA	Weight g
					M ³ /Min.	CFM	MM	INCH		
ME6038S	12	7 - 13.2	0.38	5,000	0.838	29.58	9.23	0.36	44.6	104
ME6038L	12	7 - 13.2	0.50	6,000	1.006	35.51	13.31	0.52	48.5	104
ME6038M	12	7 - 13.2	0.67	7,000	1.177	41.55	18.10	0.71	53.2	104
ME6038H	12	7 - 13.2	0.86	8,000	1.342	47.38	23.68	0.93	58.0	104
ME6038E	12	7 - 13.2	1.20	8,800	1.525	53.85	27.70	1.09	60.0	104
ME6038X	12	7 - 13.2	1.40	9,400	1.629	57.52	31.60	1.24	63.0	104
ME6038U	12	7 - 13.2	1.80	10,000	1.733	61.19	35.30	1.41	65.0	104

MQ6038 series HIGH PERFORMANCE



(60 x 60 x 38 mm)
2.36 x 2.36 x 1.50 inches

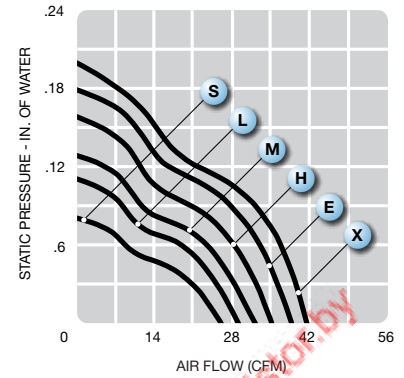
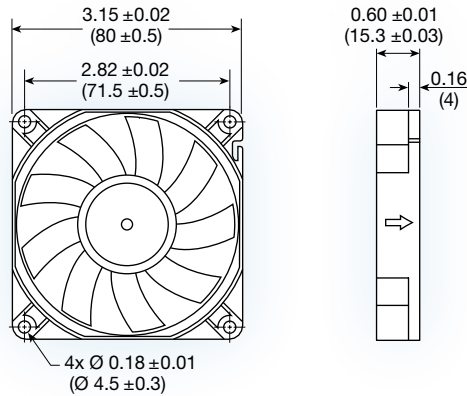
- Construction: UL94V-0 PBT impeller & frame
- Bearing option: ball bearing
- Connection: AWG 24, UL1007 lead wires
- Frame: flanged
- Protection: thermal
- Options: tachometer output or locked rotor alarm signal; PWM speed control

Model No.	Rated Voltage V	Current mA			Speed RPM	Air Volume		Max. Static Pressure (H ₂ O)		Sound Noise dbA	Weight g
		12	24	48		M ³ /Min.	CFM	MM	INCH		
MQ6038L	12/24/48	480	260	210	8,000	1.26	44.60	23.2	0.91	53	106
MQ6038M	12/24/48	650	360	260	9,000	1.45	51.30	29.1	1.15	57	106
MQ6038H	12/24/48	860	460	310	10,000	1.61	57.00	36.3	1.43	60	106
MQ6038E	12/24/48	1600	720	410	11,000	1.96	69.20	53.6	2.11	64	106

TOC

QUALITY ISO 9001:2008 REGISTERED

G8015-G series



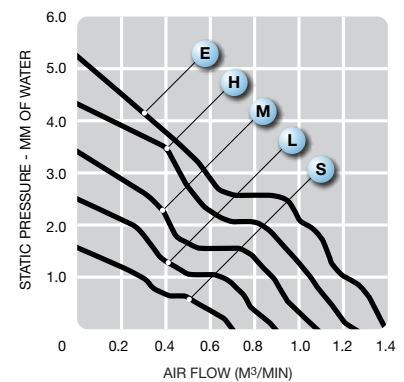
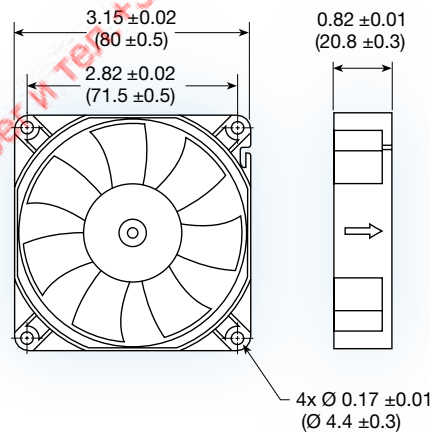
(80 x 80 x 15 mm)

3.15 x 3.15 x 0.59 inches

Construction:	UL94V-0 PBT impeller & frame
Bearing option:	ball bearing or sleeve
Connection:	AWG 26, UL1007 lead wires
Frame:	ribbed
Protection:	thermal
Options:	tachometer output or locked rotor alarm signal; encapsulated motor; PWM speed control

Model No.	Rated Voltage V	Current mA			Speed RPM	Air Volume		Max. Static Pressure (H ₂ O)		Sound Noise dBa	Weight g
		5	12	24		M ³ /Min.	CFM	MM	INCH		
G8015S-G	5/12/24	200	100	80	2,800	0.73	26	2.24	0.09	28	58
G8015L-G	5/12/24	280	130	90	3,200	0.82	29	2.86	0.11	31	58
G8015M-G	5/12/24	380	180	120	3,600	0.92	32	3.47	0.14	34	58
G8015H-G	12/24	-	230	150	4,000	1.05	37	4.29	0.17	36	58
G8015E-G	12/24	-	320	180	4,400	1.13	40	5.00	0.20	38	58
G8015X-G	12/24	-	350	250	4,800	1.23	43	5.92	0.23	40	58

G8020 series



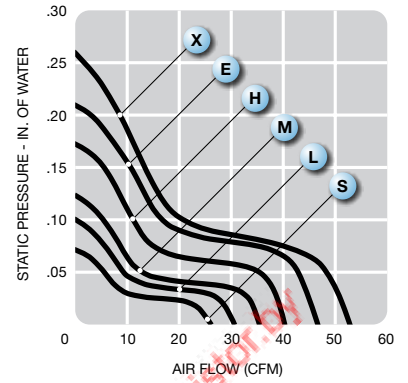
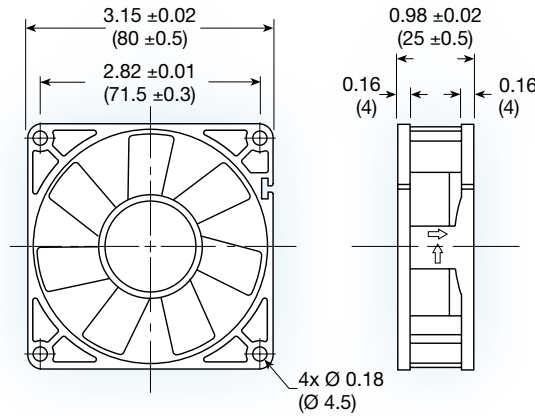
(80 x 80 x 20 mm)

3.15 x 3.15 x 0.79 inches

Construction:	UL94V-0 PBT impeller & frame
Bearing option:	ball bearing
Connection:	AWG 26, UL1007 lead wires
Frame:	ribbed
Protection:	thermal
Options:	tachometer output or locked rotor alarm signal; PWM speed control

Model No.	Rated Voltage V	Current mA			Speed RPM	Air Volume		Max. Static Pressure (H ₂ O)		Sound Noise dBa	Weight g
		5	12	24		M ³ /Min.	CFM	MM	INCH		
G8020S	5/12/24	200	70	60	2,000	0.69	24	1.53	0.06	22	84
G8020L	5/12/24	300	110	75	2,500	0.88	31	2.45	0.10	25	84
G8020M	5/12/24	400	160	90	3,000	1.07	38	3.37	0.13	29	84
G8020H	12/24	-	230	140	3,500	1.23	43	4.29	0.17	33	84
G8020E	12/24	-	330	200	4,000	1.39	49	5.20	0.20	37	84

F8025-H series



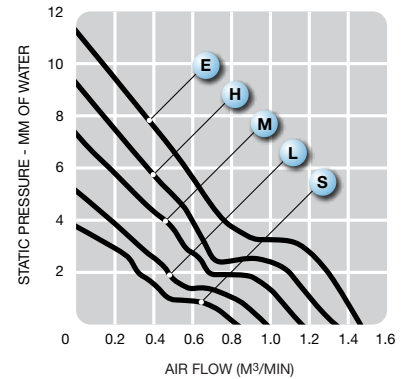
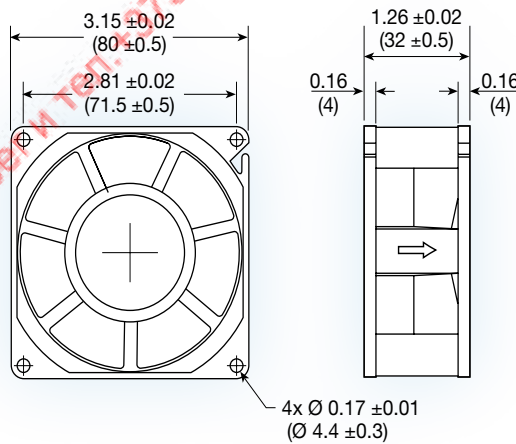
(80 x 80 x 25 mm)

3.15 x 3.15 x 0.98 inches

- Construction: UL94V-0 PBT impeller & frame
- Bearing option: ball bearing or sleeve
- Connection: AWG 24, UL1007 lead wires
- Frame: flanged or ribbed
- Protection: thermal
- Options: tachometer output or locked rotor alarm signal; thermistor speed control; encapsulated motor; PWM speed control

Model No.	Rated Voltage V	Current mA		Speed RPM	Air Volume		Max. Static Pressure (H ₂ O)		Sound Noise dBa	Weight g
		12	24		M ³ /Min.	CFM	MM	INCH		
F8025S-H	12/24	75	50	2,000	0.73	26	1.75	0.07	22	82
F8025L-H	12/24	90	60	2,400	0.87	31	2.50	0.10	26	82
F8025M-H	12/24	120	80	2,800	0.99	35	3.00	0.12	29	82
F8025H-H	12/24	145	90	3,200	1.13	40	4.25	0.17	32	82
F8025E-H	12/24	240	140	3,600	1.30	46	5.25	0.21	35	82
F8025X-H	12/24	480	260	4,200	1.50	53	6.50	0.26	39	82

G8032 series



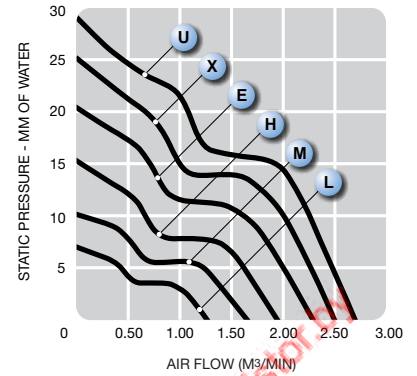
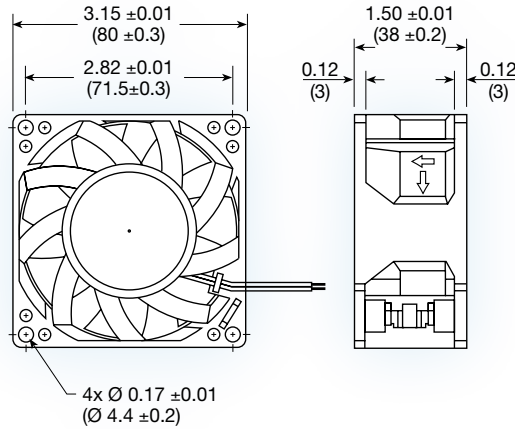
(80 x 80 x 32 mm)

3.15 x 3.15 x 1.26 inches

- Construction: UL94V-0 PBT impeller & frame
- Bearing option: ball bearing
- Connection: AWG 24, 1007 lead wires
- Frame: ribbed
- Protection: thermal
- Options: tachometer output or locked rotor alarm signal; encapsulated motor; PWM speed control

Model No.	Rated Voltage V	Current mA		Speed RPM	Air Volume		Max. Static Pressure (H ₂ O)		Sound Noise dBa	Weight g
		12	24		M ³ /Min.	CFM	MM	INCH		
G8032S	12/24	140	100	2,500	0.82	29	3.70	0.15	30	129
G8032L	12/24	200	150	3,000	0.97	34	5.10	0.20	34	129
G8032M	12/24	260	200	3,500	1.17	41	7.30	0.29	38	129
G8032H	12/24	450	250	4,000	1.35	48	9.30	0.37	42	129
G8032E	12/24	550	330	4,500	1.47	52	11.30	0.44	46	129

MC8038 series



(80 x 80 x 38 mm)

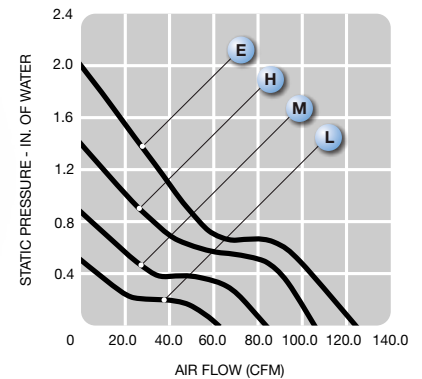
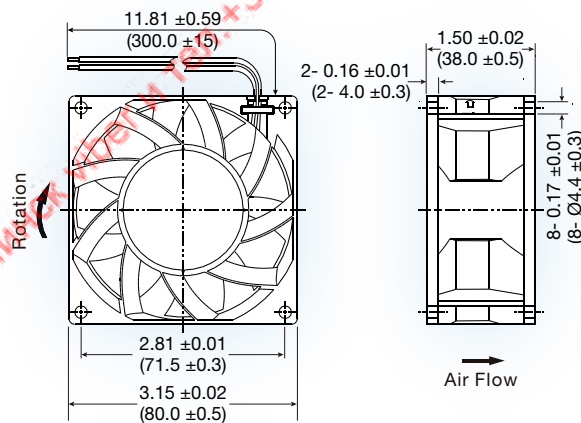
3.15 x 3.15 x 1.50 inches

- Construction: UL94V-0 PBT impeller & frame
- Bearing option: ball bearing
- Connection: AWG 26, UL1007 lead wires
- Frame: flanged
- Protection: thermal
- Options: tachometer output or locked rotor alarm signal; PWM speed control

Model No.	Rated Voltage V	Current mA			Speed RPM	Air Volume		Max. Static Pressure (H ₂ O)		Sound Noise dBa	Weight g
		12	24	48		M ³ /Min.	CFM	MM	INCH		
MC8038L	12/24/48	240	140	90	3,400	1.28	45.3	7.23	0.28	39.0	180
MC8038M	12/24/48	370	230	140	4,200	1.63	57.5	10.30	0.41	44.5	180
MC8038H	12/24/48	610	330	190	5,000	1.98	69.9	15.62	0.61	48.2	180
MC8038E	12/24/48	930	450	280	5,800	2.31	81.6	21.38	0.84	52.1	180
MC8038X	12/24	1200	600	-	6,300	2.51	86.6	25.22	0.99	56.4	180
MC8038U	12/24	1500	890	-	6,800	2.71	95.6	29.38	1.15	60.2	180

MQ8038 series

HIGH PERFORMANCE



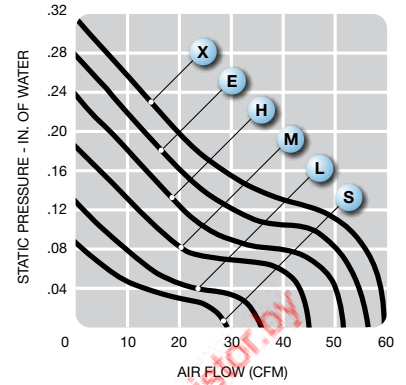
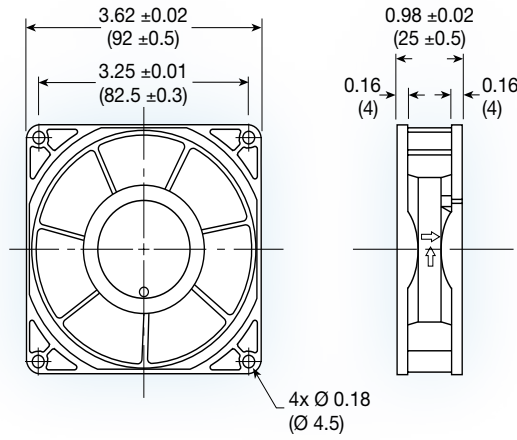
(80 x 80 x 38 mm)

3.15 x 3.15 x 1.50 inches

- Construction: UL94V-0 PBT impeller & frame
- Bearing option: ball bearing
- Connection: AWG 24, UL1007 lead wires
- Frame: flanged
- Protection: thermal
- Options: tachometer output or locked rotor alarm signal; PWM speed control

Model No.	Rated Voltage V	Current mA			Speed RPM	Air Volume		Max. Static Pressure (H ₂ O)		Sound Noise dBa	Weight g
		12	24	48		M ³ /Min.	CFM	MM	INCH		
MQ8038L	12/24/48	450	250	180	4,500	1.74	61.50	12.4	0.49	49	180
MQ8038M	12/24/48	850	450	280	6,000	2.36	83.40	21.8	0.86	57	180
MQ8038H	12/24/48	1550	780	450	7,500	2.98	105.20	34.8	1.37	63	180
MQ8038E	12/24/48	2800	1400	750	9,000	3.49	123.30	50.0	1.97	67	180

E9225 series HIGH PERFORMANCE

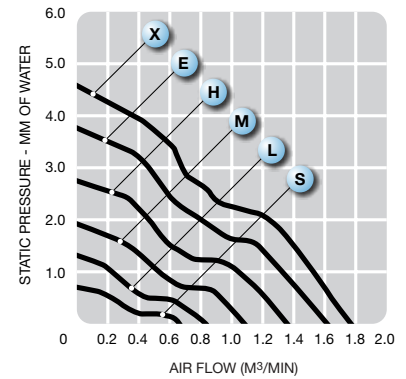
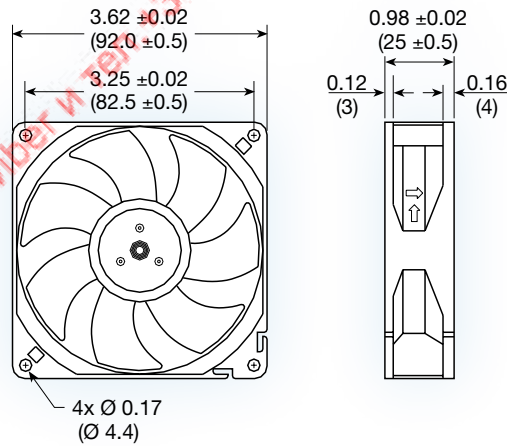


(92 x 92 x 25 mm)
3.62 x 3.62 x 0.98 inches

Construction:	UL94V-0 PBT impeller & frame
Bearing option:	ball bearing
Connection:	AWG 24, 1007 lead wires
Frame:	flanged
Protection:	thermal
Options:	tachometer output or locked rotor alarm signal; PWM speed control

Model No.	Rated Voltage V	Current mA				Speed RPM	Air Volume		Max. Static Pressure (H ₂ O)		Sound Noise dBa	Weight g
		5	12	24	48		M ³ /Min.	CFM	MM	INCH		
E9225S	5/12/24	270	98	60	-	2,000	0.82	29	2.25	0.09	24	111
E9225L	5/12/24	400	150	85	-	2,400	0.99	35	3.25	0.13	27	111
E9225M	5/12/24	560	235	125	-	2,800	1.24	44	4.75	0.19	32	111
E9225H	12/24/48	-	360	168	65	3,200	1.44	51	6.00	0.24	36	111
E9225E	12/24/48	-	498	255	85	3,600	1.58	56	7.00	0.28	39	111
E9225X	12/24/48	-	550	300	130	4,000	1.70	60	8.00	0.32	43	111

G9225-G series LOW NOISE

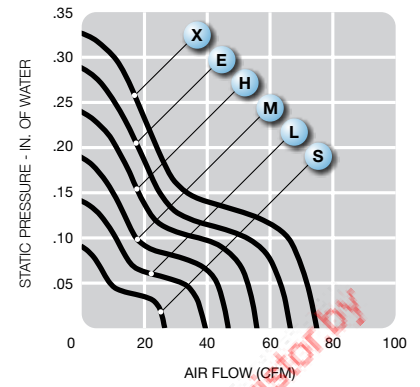
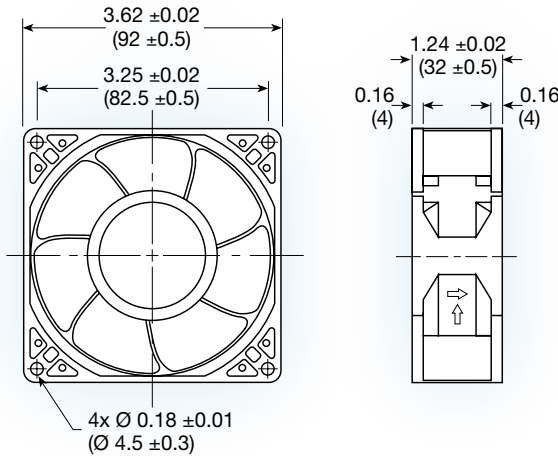


(92 x 92 x 25 mm)
3.62 x 3.62 x 0.98 inches

Construction:	UL94V-0 PBT impeller & frame
Bearing option:	ball bearing or sleeve
Connection:	AWG 24, UL1007 lead wires
Frame:	flanged
Protection:	thermal
Options:	tachometer output or locked rotor alarm signal; encapsulated motor; PWM speed control

Model No.	Rated Voltage V	Current mA			Speed RPM	Air Volume		Max. Static Pressure (H ₂ O)		Sound Noise dBa	Weight g
		5	12	24		M ³ /Min.	CFM	MM	INCH		
G9225S-G	5/12/24	220	90	60	1,200	0.67	24	0.70	0.03	19	86
G9225L-G	5/12/24	340	140	90	1,600	0.89	31	1.20	0.05	21	86
G9225M-G	5/12/24	480	200	120	2,000	1.13	40	1.80	0.07	23	86
G9225H-G	12/24	-	280	160	2,400	1.35	48	2.50	0.10	26	86
G9225E-G	12/24	-	370	200	2,800	1.61	57	3.40	0.13	30	86
G9225X-G	12/24	-	490	290	3,200	1.87	66	4.38	0.17	34	86

G9232 series

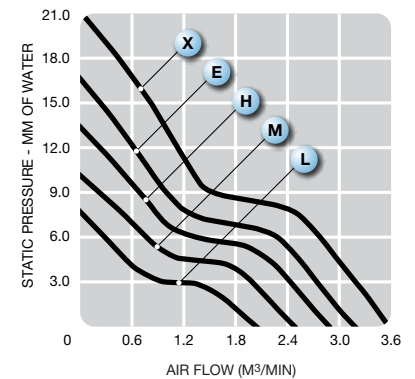
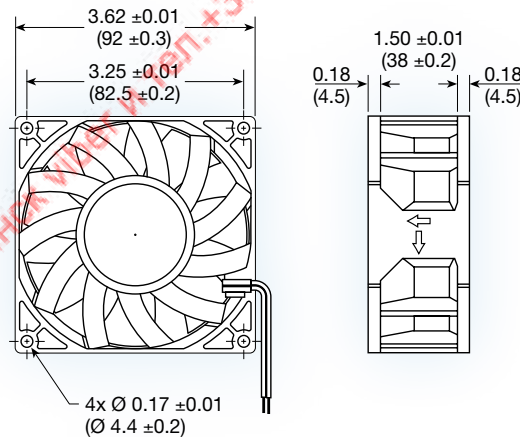


(92 x 92 x 32 mm)
3.62 x 3.62 x 1.24 inches

- Construction: UL94V-0 PBT impeller & frame
- Bearing option: ball bearing
- Connection: AWG 24, UL1007 lead wires
- Frame: flanged
- Protection: thermal
- Options: tachometer output or locked rotor alarm signal; thermistor speed control; encapsulated motor; PWM speed control

Model No.	Rated Voltage V	Current mA			Speed RPM	Air Volume		Max. Static Pressure (H ₂ O)		Sound Noise dbA	Weight g
		5	12	24		M ³ /Min.	CFM	MM	INCH		
G9232S	5/12/24	330	100	60	2,000	0.94	33	2.55	0.10	23	152
G9232L	5/12/24	480	170	90	2,400	1.13	40	3.47	0.14	28	152
G9232M	12/24	-	270	140	2,800	1.35	48	4.59	0.18	32	152
G9232H	12/24	-	360	200	3,200	1.56	55	6.02	0.24	35	152
G9232E	12/24	-	520	270	3,600	1.71	60	7.14	0.28	38	152
G9232X	12/24	-	680	360	4,000	1.92	68	8.25	0.33	44	152

MD9238 series HIGH PERFORMANCE

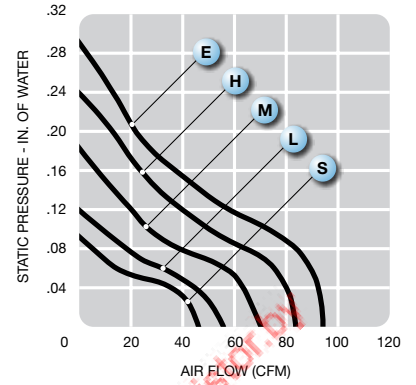
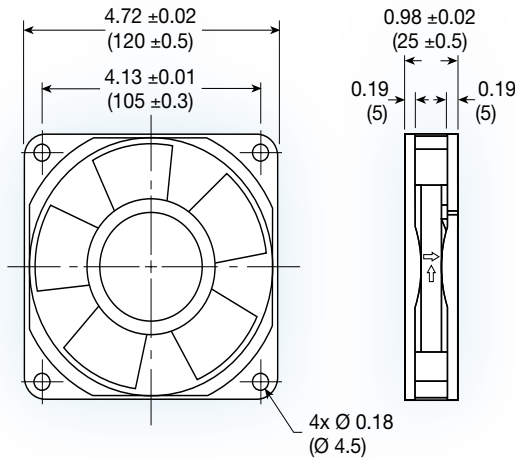


(92 x 92 x 38 mm)
3.62 x 3.62 x 1.5 inches

- Construction: UL94V-0 PBT impeller & frame
- Bearing option: ball bearing
- Connection: AWG 24, UL1007 lead wires
- Frame: flanged
- Protection: thermal
- Options: tachometer output or locked rotor alarm signal; PWM speed control

Model No.	Rated Voltage V	Current mA			Speed RPM	Air Volume		Max. Static Pressure (H ₂ O)		Sound Noise dbA	Weight g
		12	24	48		M ³ /Min.	CFM	MM	INCH		
MD9238L	12/24/48	360	190	100	3,200	2.01	71.06	7.86	0.31	44.5	180
MD9238M	12/24/48	580	300	150	3,800	2.46	86.85	10.24	0.40	50.0	180
MD9238H	12/24/48	880	450	220	4,400	2.85	100.69	15.30	0.60	53.5	180
MD9238E	12/24	1000	500	-	4,800	3.13	110.56	16.93	0.67	55.0	180
MD9238X	24	-	700	-	5,400	3.50	123.57	21.39	0.84	58.4	180

E1225 series



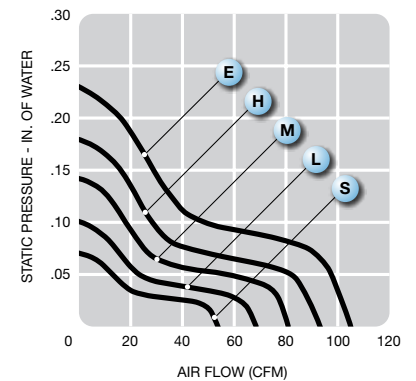
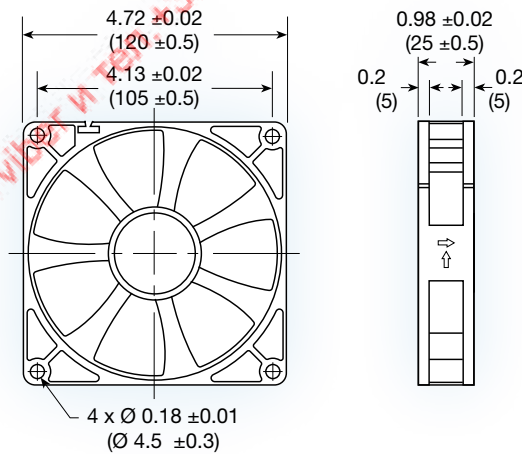
(120 x 120 x 25 mm)
 4.72 x 4.72 x 0.98 inches

Construction:	UL94V-0 PBT impeller & frame
Bearing option:	ball bearing or sleeve
Connection:	terminal or AWG24, UL1007 lead wires
Frame:	flanged
Protection:	thermal
Options:	tachometer output or locked rotor alarm signal; thermistor control; PWM speed control

Model No.	Rated Voltage V	Current mA				Speed RPM	Air Volume		Max. Static Pressure (H ₂ O)		Sound Noise dbA	Weight g
		5	12	24	48		M ³ /Min.	CFM	MM	INCH		
E1225S	5/12/24	220	100	85	-	1,400	1.24	44	2.25	0.09	28	197
E1225L	5/12/24	340	142	95	-	1,800	1.55	55	3.00	0.12	32	197
E1225M	5/12/24/48	600	245	160	80	2,200	1.89	67	4.50	0.18	36	197
E1225H	12/24/48	-	385	240	120	2,600	2.32	82	6.00	0.24	40	197
E1225E	12/24/48	-	580	340	170	3,000	2.63	93	7.00	0.28	44	197

G1225 series

LOW NOISE

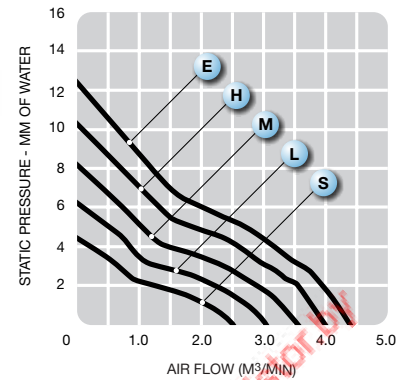
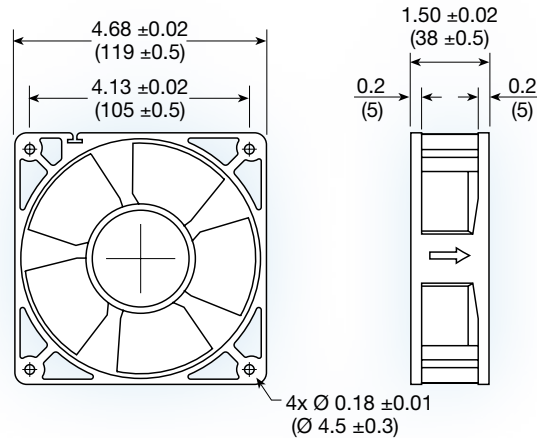


(120 x 120 x 25 mm)
 4.72 x 4.72 x 0.98 inches

Construction:	UL94V-0 PBT impeller & frame
Bearing option:	ball bearing
Connection:	AWG 24, UL1007 lead wires
Frame:	flanged
Protection:	thermal
Options:	tachometer output or locked rotor alarm signal; thermistor control; encapsulated motor; PWM speed control

Model No.	Rated Voltage V	Current mA			Speed RPM	Air Volume		Max. Static Pressure (H ₂ O)		Sound Noise dbA	Weight g
		5	12	24		M ³ /Min.	CFM	MM	INCH		
G1225S	5/12/24	400	130	70	1,500	1.52	54	1.90	0.07	26	197
G1225L	5/12/24	620	230	120	1,800	1.87	66	2.60	0.10	29	197
G1225M	12/24	-	350	190	2,100	2.20	78	3.70	0.15	33	197
G1225H	12/24	-	480	270	2,400	2.46	87	4.50	0.18	38	197
G1225E	12/24	-	720	380	2,700	2.79	99	5.50	0.22	42	197

G1238 series



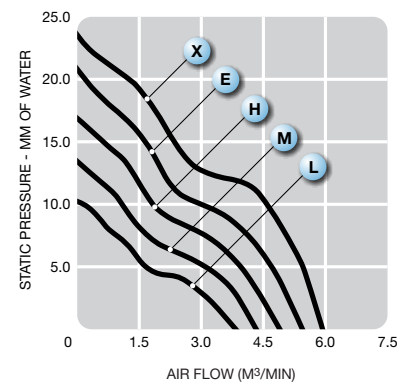
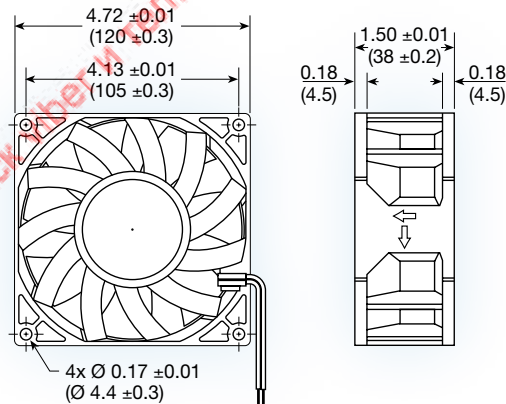
(120 x 120 x 38 mm)

4.69 x 4.69 x 1.5 inches

Construction:	UL94V-0 PBT impeller & frame
Bearing option:	ball bearing
Connection:	AWG 24, UL1007 lead wires
Frame:	flanged
Protection:	thermal
Options:	tachometer output or locked rotor alarm signal; encapsulated motor; PWM speed control

Model No.	Rated Voltage V	Current mA			Speed RPM	Air Volume		Max. Static Pressure (H ₂ O)		Sound Noise dBa	Weight g
		12	24	48		M ³ /Min.	CFM	MM	INCH		
G1238S	12/24/48	250	180	80	2,000	2.50	88	4.39	0.17	34	336
G1238L	12/24/48	400	250	130	2,400	3.03	107	6.22	0.24	38	336
G1238M	12/24/48	600	330	180	2,800	3.54	125	8.16	0.32	43	336
G1238H	12/24/48	750	450	250	3,200	3.99	141	10.31	0.41	46	336
G1238E	12/24/48	1200	600	330	3,600	4.46	158	12.45	0.49	49	336

MD1238 series



(120 x 120 x 38 mm)

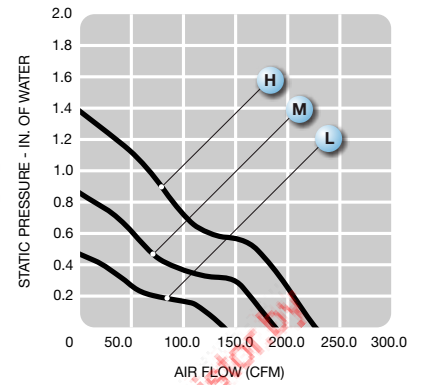
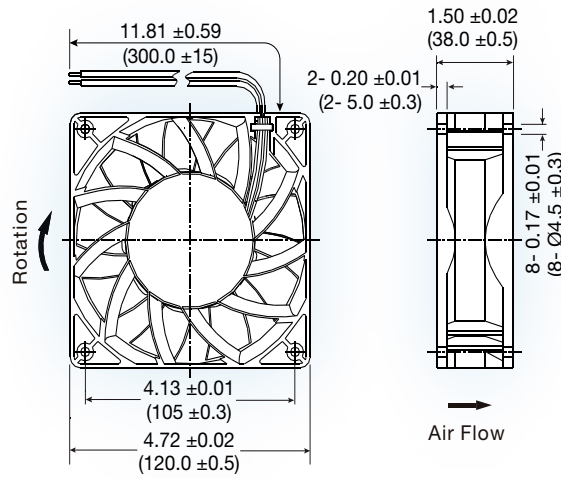
4.72 x 4.72 x 1.5 inches

Construction:	UL94V-0 PBT impeller & frame
Bearing option:	ball bearing
Connection:	AWG 24, UL1007 lead wires
Frame:	flanged
Protection:	thermal
Options:	tachometer output or locked rotor alarm signal; PWM speed control

Model No.	Rated Voltage V	Current mA			Speed RPM	Air Volume		Max. Static Pressure (H ₂ O)		Sound Noise dBa	Weight g
		12	24	48		M ³ /Min.	CFM	MM	INCH		
MD1238L	12/24	850	480	-	3,000	3.90	137	10.4	0.42	52.0	411
MD1238M	12/24	1200	660	-	3,400	4.42	155	13.4	0.54	54.5	411
MD1238H	12/24	1600	800	-	3,800	4.92	174	16.7	0.67	57.8	411
MD1238E	12/24/48	2100	1100	460	4,200	5.43	192	20.4	0.82	59.0	411
MD1238X	12/24/48	2500	1300	850	4,500	5.82	205	23.4	0.94	62.0	411

MQ1238 series

HIGH PRESSURE



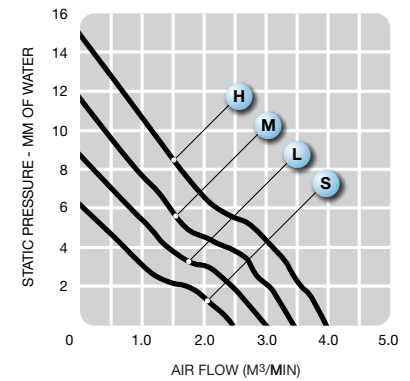
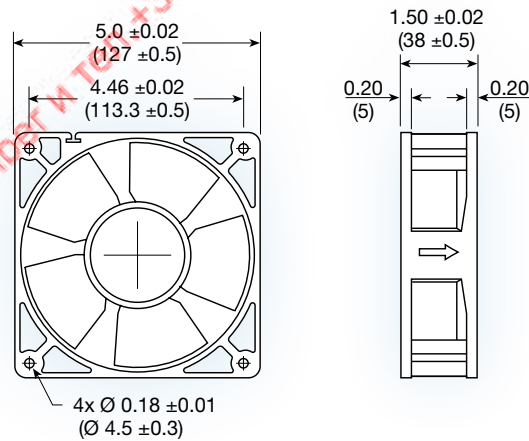
(120 x 120 x 38 mm)
4.72 x 4.72 x 1.5 inches

- Construction: UL94V-0 PBT impeller & frame
- Bearing option: ball bearing
- Connection: AWG 22, UL1007 lead wires
- Frame: flanged
- Protection: thermal
- Options: tachometer output or locked rotor alarm signal; PWM speed control

Model No.	Rated Voltage V	Current mA			Speed RPM	Air Volume		Max. Static Pressure (H ₂ O)		Sound Noise dB(A)	Weight g
		12	24	48		M ³ /Min.	CFM	MM	INCH		
MQ1238L	12/24/48	1500	600	380	3,000	3.95	139.80	11.9	0.47	52	350
MQ1238M	12/24/48	2000	1100	600	4,000	5.34	188.60	21.6	0.85	59	350
MQ1238H	12/24/48	3600	1700	1000	5,000	6.40	226.00	34.4	1.35	65	350

TOC

G1338 series

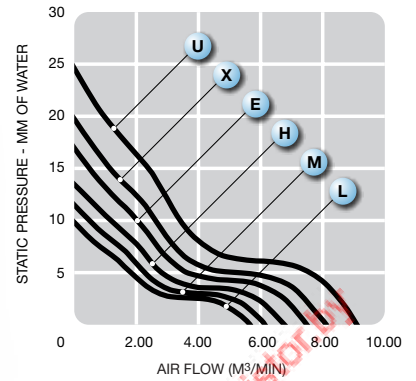
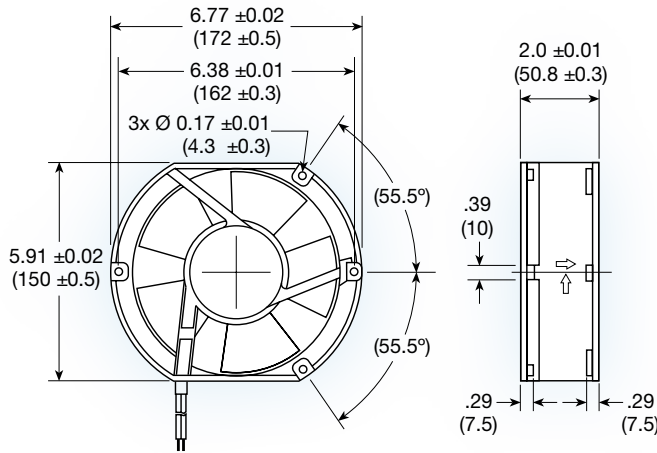


(127 x 127 x 38 mm)
5 x 5 x 1.5 inches

- Construction: UL94V-0 PBT impeller & frame
- Bearing option: ball bearing
- Connection: AWG 24, UL1007 lead wires
- Frame: flanged
- Protection: thermal
- Options: tachometer output or locked rotor alarm signal

Model No.	Rated Voltage V	Current mA			Speed RPM	Air Volume		Max. Static Pressure (H ₂ O)		Sound Noise dB(A)	Weight g
		12	24	48		M ³ /Min.	CFM	MM	INCH		
G1338S	12/24/48	350	220	130	2,000	2.46	87	6.22	0.24	37	355
G1338L	12/24/48	550	330	180	2,400	3.00	106	8.77	0.35	42	355
G1338M	12/24/48	850	480	250	2,800	3.46	122	11.73	0.46	46	355
G1338H	12/24/48	1200	650	330	3,200	3.99	141	15.10	0.59	49	355

MA1751 series



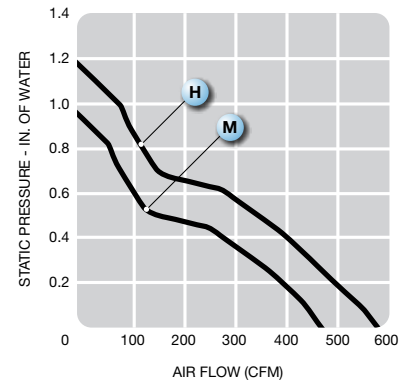
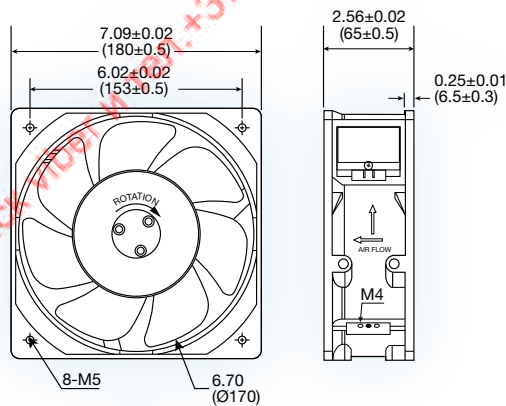
(172 x 150 x 50.8 mm)

6.77 x 5.91 x 2.0 inches

- Features:** soft start function
- Construction:** die-cast aluminum frame; UL94V-0 PBT impeller
- Bearing option:** ball bearing
- Connection:** AWG 22, UL1007 lead wires
- Frame:** flanged
- Protection:** thermal
- Options:** tachometer output or locked rotor alarm signal; PWM speed control

Model No.	Rated Voltage V	Current mA			Speed RPM	Air Volume		Max. Static Pressure (H ₂ O)		Sound Noise dBa	Weight g
		12	24	48		M ³ /Min.	CFM	MM	INCH		
MA1751L	12/24/48	1100	480	250	2,400	5.81	205.1	9.83	0.39	54.5	760
MA1751M	12/24/48	1400	570	310	2,600	6.29	222.2	11.54	0.46	56.6	760
MA1751H	12/24/48	1800	770	380	2,850	6.89	243.6	13.86	0.55	58.4	760
MA1751E	12/24/48	2200	980	550	3,150	7.62	269.2	16.93	0.67	61.0	760
MA1751X	24/48	-	1200	730	3,400	8.23	290.6	19.73	0.78	63.0	760
MA1751U	48	-	-	900	3,800	9.20	324.8	24.64	0.98	66.2	760

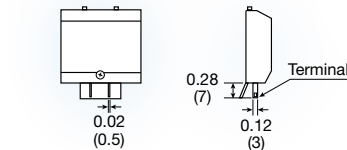
MM1865 series



(180 x 180 x 65 mm)

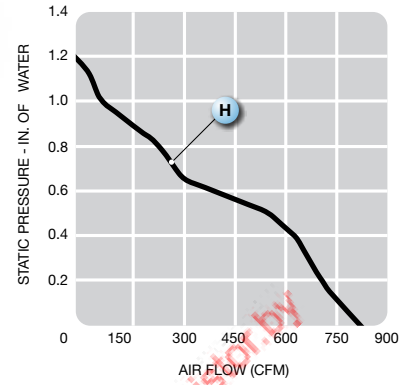
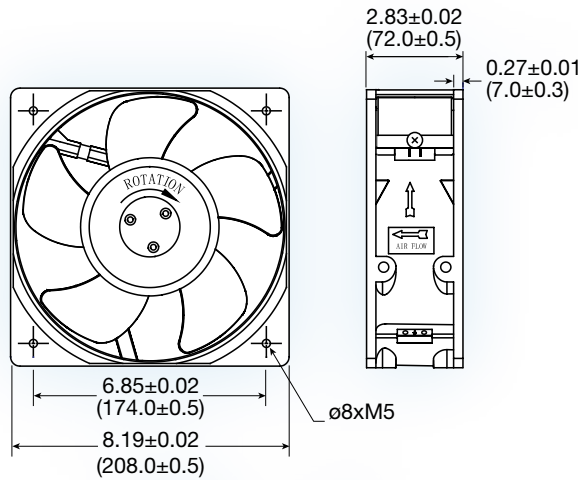
7.09 x 7.09 x 2.56 inches

- Construction:** magnesium alloy impeller & frame
- Bearing option:** ball bearing
- Connection:** terminal or AWG 18 lead wire
- Frame:** flanged
- Protection:** thermal
- Options:** tachometer output or locked rotor alarm signal



Model No.	Rated Voltage V	Current mA		Speed RPM	Air Volume		Max. Static Pressure (H ₂ O)		Sound Noise dBa	Weight kg
		24	48		M ³ /Min.	CFM	MM	INCH		
MM1865M	24/48	2100	1000	3,200	13	465	25.40	0.96	59	1.55
MM1865H	24/48	3900	1700	4,000	16	580	30.48	1.2	65	1.55

MM2072 series



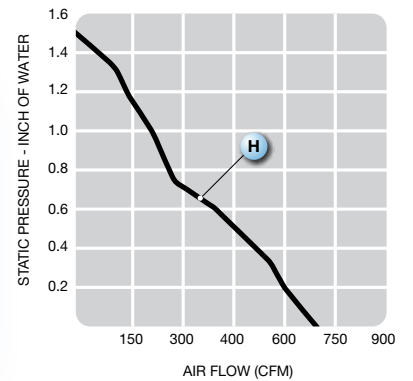
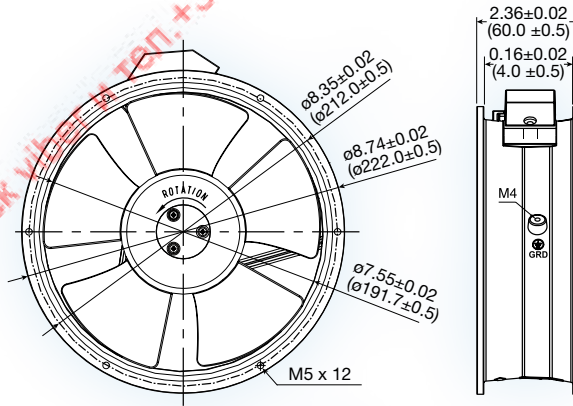
(208 x 208x 72 mm)
8.19 x 8.19 x 2.83 inches

- Construction: magnesium alloy impeller & frame
- Bearing option: ball bearing
- Connection: terminal or AWG 18 lead wire
- Frame: flanged
- Protection: thermal
- Options: tachometer output or locked rotor alarm signal

Model No.	Rated Voltage V	Current mA		Speed RPM	Air Volume		Max. Static Pressure (H ₂ O)		Sound Noise dB(A)	Weight kg
		24	48		M ³ /Min.	CFM	MM	INCH		
MM2072H	24/48	5000	2800	3,600	23	825	30.48	1.2	65	1.55

TOC

MM2260 series

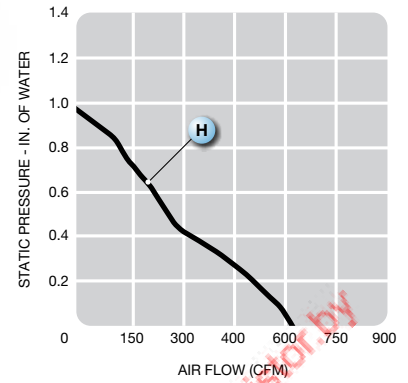
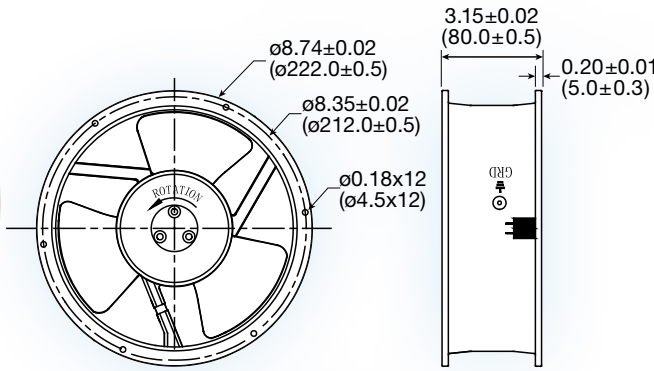


(222 dia. x 60 mm)
8.74 dia. x 2.36 inches

- Construction: magnesium alloy impeller & frame
- Bearing option: ball bearing
- Connection: terminal or AWG 18 lead wire
- Frame: flanged
- Protection: thermal
- Options: tachometer output or locked rotor alarm signal

Model No.	Rated Voltage V	Current mA		Speed RPM	Air Volume		Max. Static Pressure (H ₂ O)		Sound Noise dB(A)	Weight kg
		24	48		M ³ /Min.	CFM	MM	INCH		
MM2260H	24/48	3000	1700	4,000	19	690	38.10	1.5	67	1.4

MM2280 series



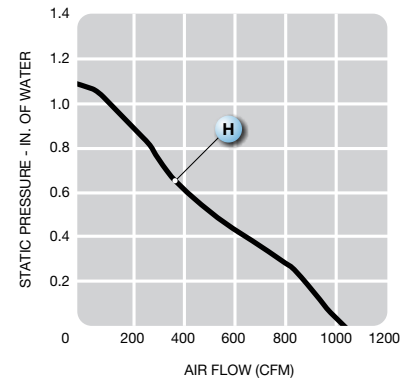
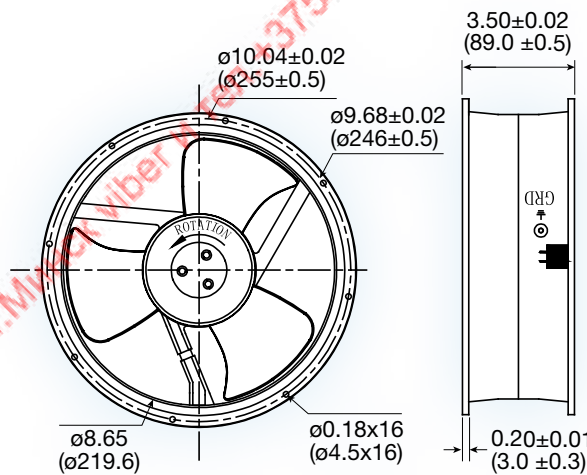
(222 dia. x 80 mm)

8.74 dia. x 3.15 inches

- Construction: magnesium alloy impeller & frame
- Bearing option: ball bearing
- Connection: terminal or AWG 18 lead wire
- Frame: flanged
- Protection: thermal
- Options: tachometer output or locked rotor alarm signal

Model No.	Rated Voltage V	Current mA		Speed RPM	Air Volume		Max. Static Pressure (H ₂ O)		Sound Noise dB _A	Weight kg
		24	48		M ³ /Min.	CFM	MM	INCH		
MM2280H	24/48	2500	1400	3,000	18	625	24.64	0.97	60	1.55

MM2589 series



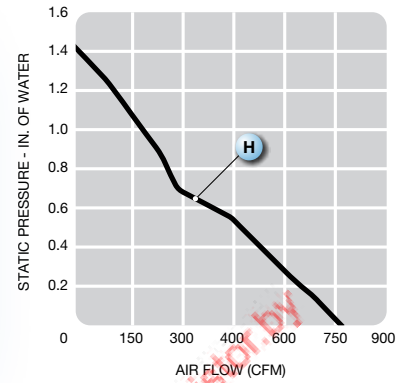
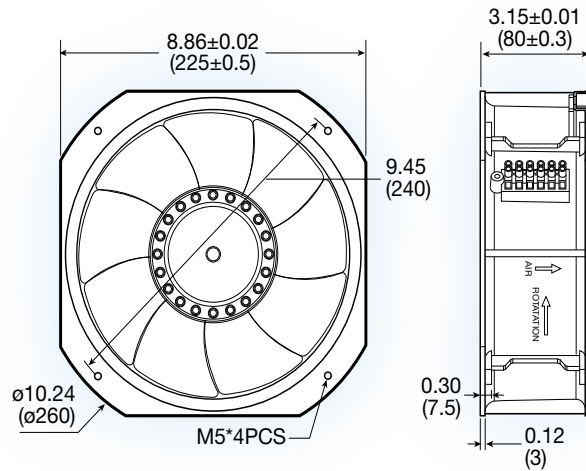
(255 dia. x 89 mm)

10.04 dia. x 3.50 inches

- Construction: magnesium alloy impeller & frame
- Bearing option: ball bearing
- Connection: terminal or AWG 18 lead wire
- Frame: flanged
- Protection: thermal
- Options: tachometer output or locked rotor alarm signal

Model No.	Rated Voltage V	Current mA		Speed RPM	Air Volume		Max. Static Pressure (H ₂ O)		Sound Noise dB _A	Weight kg
		24	48		M ³ /Min.	CFM	MM	INCH		
MM2589H	24/48	5200	2700	3,000	29	1030	27.94	1.1	60	1.60

MM22580H series



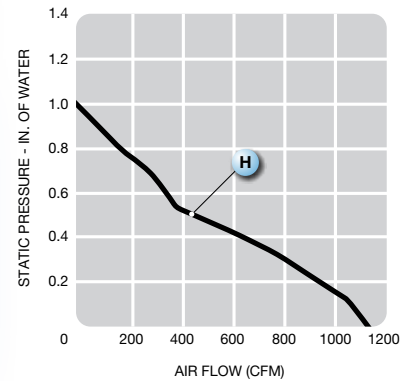
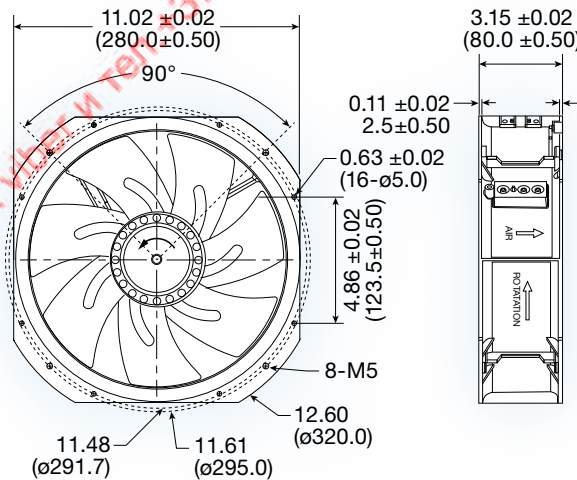
(225 x 225 x 80 mm)
8.86 x 8.86 x 3.15 inches

- Construction: magnesium alloy impeller & frame
- Bearing option: ball bearing
- Connection: terminal
- Frame: flanged
- Protection: thermal
- Options: tachometer output or locked rotor alarm signal

Model No.	Rated Voltage V	Current mA		Speed RPM	Air Volume		Max. Static Pressure (H ₂ O)		Sound Noise dBa	Weight kg
		24	48		M ³ /Min.	CFM	MM	INCH		
MM22580H	24/48	4200	2100	3,600	21	755	35.56	1.4	65	1.60

TOC

MM28080H series

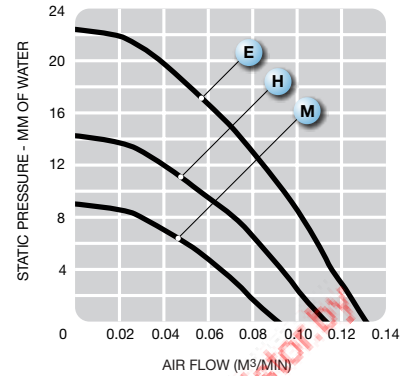
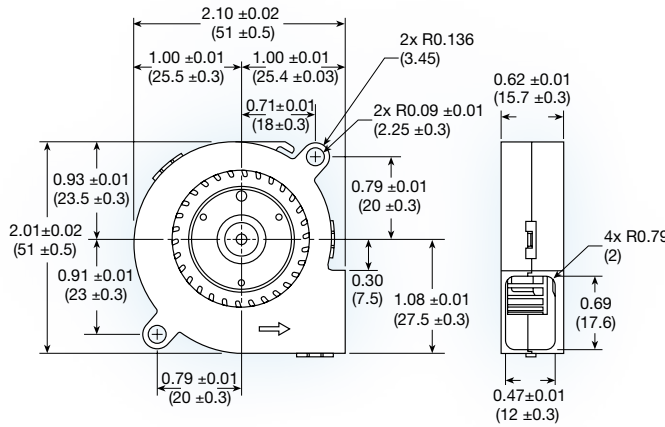


(280 dia. x 80 mm)
11.02 dia. x 3.15 inches

- Construction: magnesium alloy impeller & frame
- Bearing option: ball bearing
- Connection: terminal
- Frame: flanged
- Protection: thermal
- Options: tachometer output or locked rotor alarm signal

Model No.	Rated Voltage V	Current mA		Speed RPM	Air Volume		Max. Static Pressure (H ₂ O)		Sound Noise dBa	Weight kg
		24	48		M ³ /Min.	CFM	MM	INCH		
MM28080H	24/48	5200	2600	3,000	32	1130	25.40	1.0	65	1.60

B5015 series



(51 x 51 x 15 mm)

2.01 x 2.01 x .62 inches

Construction: UL94V-0 PBT impeller & frame

Bearing option: ball bearing

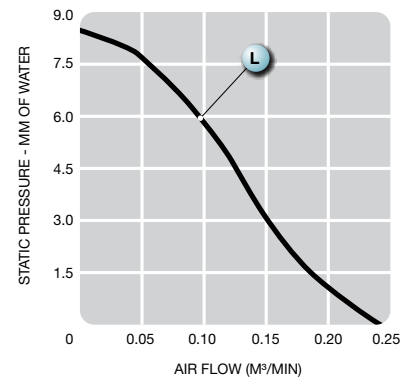
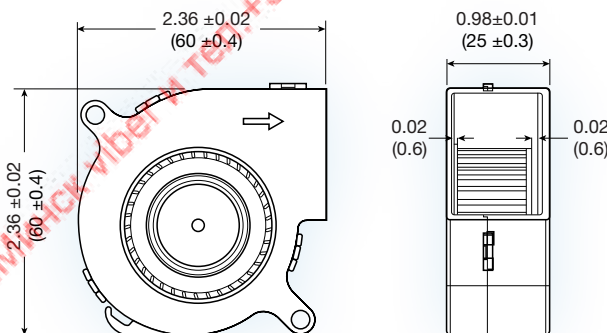
Connection: AWG 26, UL1061 lead wires

Protection: thermal

Options: tachometer output signal

Model No.	Rated Voltage V	Current mA			Speed RPM	Air Volume		Max. Static Pressure (H ₂ O)		Sound Noise db	Weight g
		5	12	24		M ³ /Min.	CFM	MM	INCH		
B5015M	5/12/24	280	130	90	4,500	0.09	3	8.98	0.35	35	25
B5015H	5/12/24	400	200	130	5,500	0.11	4	14.28	0.56	40	25
B5015E	12/24	-	300	180	6,500	0.13	5	22.45	0.88	45	25

B6025 series



(60 x 60 x 25 mm)

2.36 x 2.36 x 0.98 inches

Construction: UL94V-0 PBT impeller & frame

Bearing option: ball bearing or fluid dynamic bearing

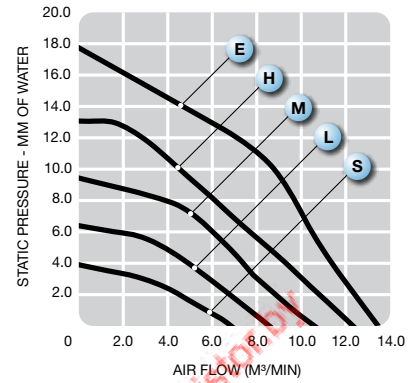
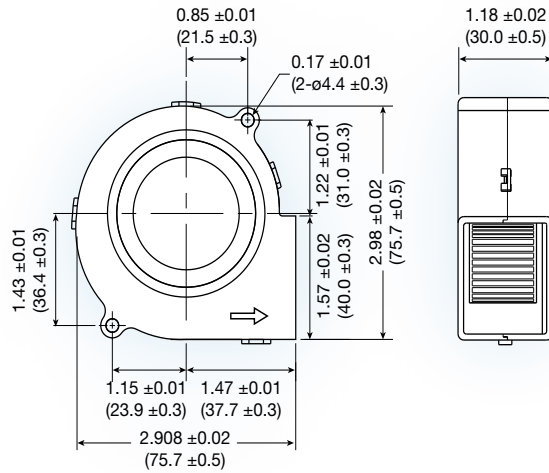
Connection: lead wires

Protection: thermal

Options: tachometer output or locked rotor alarm signal

Model No.	Rated Voltage V	Current mA	Speed RPM	Air Volume		Max. Static Pressure (H ₂ O)		Sound Noise dbA	Weight g
				M ³ /Min.	CFM	MM	INCH		
B6025L	12	240	4,000	0.24	8.47	8.30	0.32	40	44

B7530 series

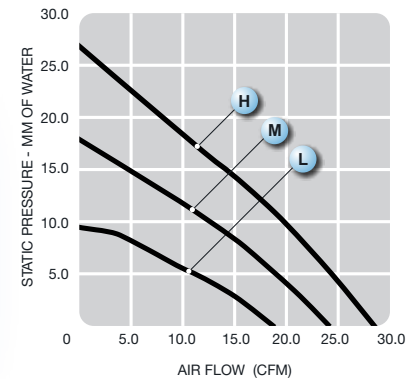
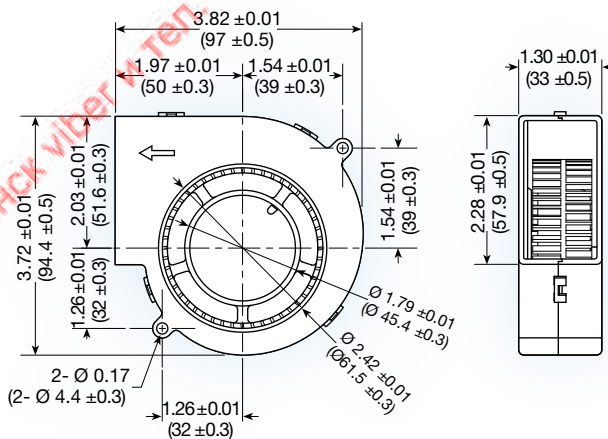


(76 x 76 x 30 mm)
2.98 x 2.98 x 1.18 inches

- Construction: UL94V-0 PBT impeller & frame
- Bearing option: ball bearing or sleeve
- Connection: lead wires
- Protection: thermal
- Options: tachometer output or locked rotor alarm signal

Model No.	Rated Voltage V	Current mA			Speed RPM	Air Volume		Max. Static Pressure (H ₂ O)		Sound Noise dB _A	Weight g
		12	24			M³/Min.	CFM	MM	INCH		
B7530S	12/24	130	90	2,000	0.20	6.9	3.9	0.16	28	87	
B7530L	12/24	180	120	2,500	0.24	8.6	6.4	0.26	36	87	
B7530M	12/24	270	180	3,000	0.30	10.6	9.4	0.38	38	87	
B7530H	12/24	450	240	3,500	0.35	12.3	13.1	0.52	43	87	
B7530E	12/24	500	300	3,800	0.38	13.5	17.7	0.71	45	87	

MXB9733 series

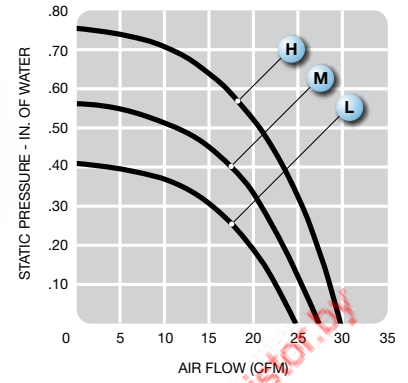
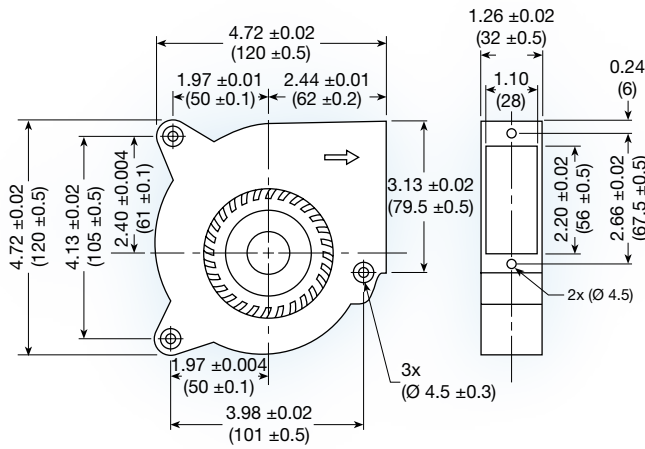


(97 x 94.4 x 33 mm)
3.82 x 3.72 x 1.30 inches

- Construction: UL94V-0 PBT impeller & frame
- Bearing option: ball bearing
- Connection: AWG 24, UL1007 lead wires
- Protection: thermal
- Options: tachometer output signal

Model No.	Rated Voltage V	Current mA			Speed RPM	Air Volume		Max. Static Pressure (H ₂ O)		Sound Noise dB _A	Weight g
		12	24	48		M³/Min.	CFM	MM	INCH		
MXB9733L	12/24/48	300	200	150	2,200	0.53	18.80	9.40	0.37	41	180
MXB9733M	12/24/48	500	350	200	2,800	0.68	24.00	17.80	0.70	51	180
MXB9733H	12/24/48	800	550	300	3,300	0.81	28.50	26.80	1.06	55	180

B1232 series



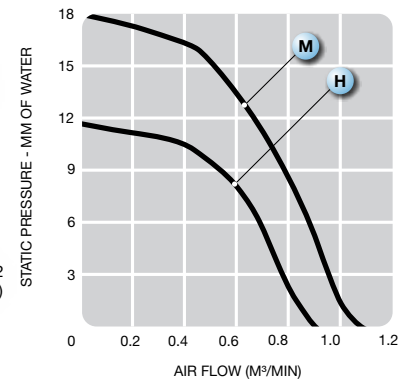
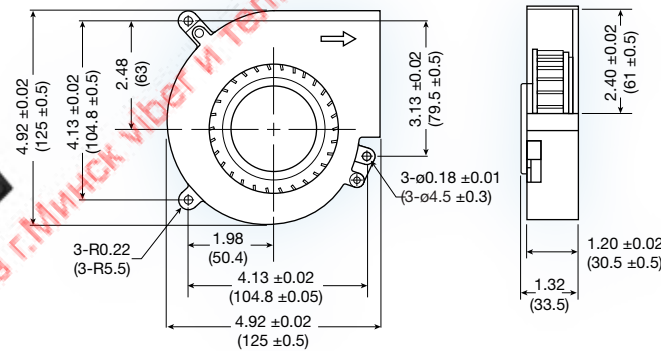
(120 x 120 x 32 mm)

4.7 x 4.7 x 1.24 inches

Construction:	UL94V-0 PBT impeller & frame
Bearing option:	ball bearing
Connection:	AWG 24, UL1007 lead wires
Protection:	thermal
Options:	tachometer output or locked rotor alarm signal; PWM speed control

Model No.	Rated Voltage V	Current mA		Speed RPM	Air Volume		Max. Static Pressure (H ₂ O)		Sound Noise dbA	Weight g
		12	24		M ³ /Min.	CFM	MM	INCH		
B1232L	12/24	360	180	2,100	0.59	21	8.37	0.33	42	320
B1232M	12/24	550	330	2,400	0.67	24	11.53	0.45	46	320
B1232H	12/24	800	480	2,800	0.80	28	17.24	0.68	49	320

B1232-SR series



(125 x 125 x 33.5 mm)

4.92 x 4.92 x 1.32 inches

Construction:	UL94V-0 PBT impeller; metal and PBT frame
Bearing option:	ball bearing
Connection:	AWG 24, UL1007 lead wires
Protection:	thermal
Options:	tachometer output or locked rotor alarm signal

Model No.	Rated Voltage V	Current mA	Speed RPM	Air Volume		Max. Static Pressure (H ₂ O)		Sound Noise dbA	Weight g
				M ³ /Min.	CFM	MM	INCH		
B1232M-SR	24	330	2,000	0.91	32	11.80	0.46	47	340
B1232H-SR	24	480	2,400	1.10	39	18.00	0.70	53	340
B1232M-SR	48	250	2,000	0.91	32	11.80	0.46	47	340
B1232H-SR	48	330	2,400	1.10	39	18.00	0.70	53	340

FAN OPTIONS

Tachometer Output Signal*

4 Pole Motor: 2 pulses/revolution, square waveform

8 Pole Motor: 4 pulses/revolution, square waveform

Locked Rotor Output Signal*

Low voltage output changes to high voltage output in locked/stopped rotor condition

Thermistor Control

Hub-mount or remote mount thermistor monitors temperature and increases/decreases RPM as required

Conformal Coating

Humidity resistant protective coating applied to PC board and electronic components. Enhanced "GB" option for additional protection also available.

Encapsulated Motor

IP57 encapsulated motor and PCB

PWM Speed Control

This option allows for various speed adjustment of the fan via a customer supplied PWM signal into the fan through a separate input wire. The PWM frequency should be 25kHz +/- 5kHz, and the voltage should be 0.5vdc ~ 5vdc.

Custom Designs

Contact Mechatronics for details

Added Value Assembly

Contact Mechatronics for details. See page 60

GENERAL SPECIFICATIONS*

Brushless DC Fans & Blowers

Rated Voltage	5, 12, 24, 48 VDC
Operating Voltage Range	DC 4.5 to 6.0V for DC 5V DC 5.5 to 14V for DC 12V DC 10 to 28V for DC 24V DC 24 to 56V for DC 48V
Operating Temp Range	-10°C to 70°C
Storage Temp Range	-40°C to 70°C
Insulating Resistance	Over 10MΩ at DC 500V
Dielectric Strength	AC 500V for 1 minute
Protection	Reverse polarity protection
Impeller	PBT (UL94V-0)
Housing	PBT (UL94V-0)
PCB	Epoxy (UL94V-0)
Lead Wire	Color coded UL1007 or UL1061
Bearings	Abec 3, double shielded, chrome ball bearings Sintered bronze sleeve bearings
Safety	UL, C-UL File E137077; TUV
Airflow	Air exhaust over struts unless otherwise specified
Life Expectancy (L10)	60,000hrs @ 40° C

*Actual specifications, tolerances and safety agency approvals vary by series. Consult Mechatronics for individual specifications.

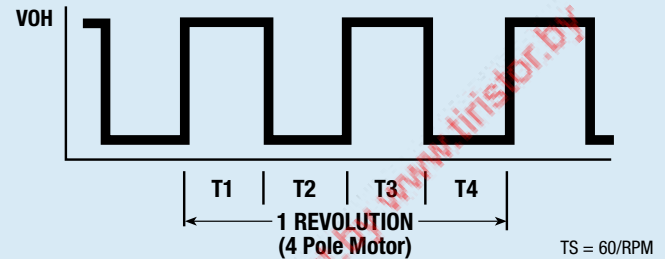
Tachometer Output Signal*

A, E, F, G Series

Rated input voltage 5 VDC 12 VDC 24 VDC 48 VDC

Tachometer signal output voltage (VOH) 5 VDC 12 VDC 24 VDC 48 VDC

All voltages +/- 0.5 VD C



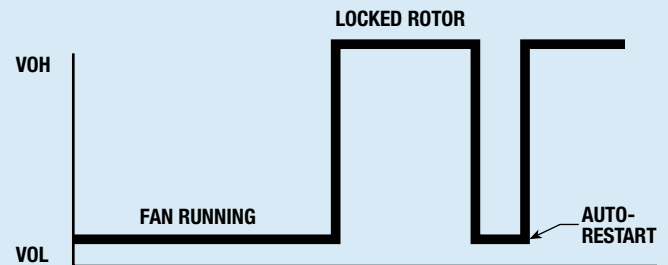
Locked Rotor Output Signal*

Rated input voltage 5 VDC 12 VDC 24 VDC 48VDC

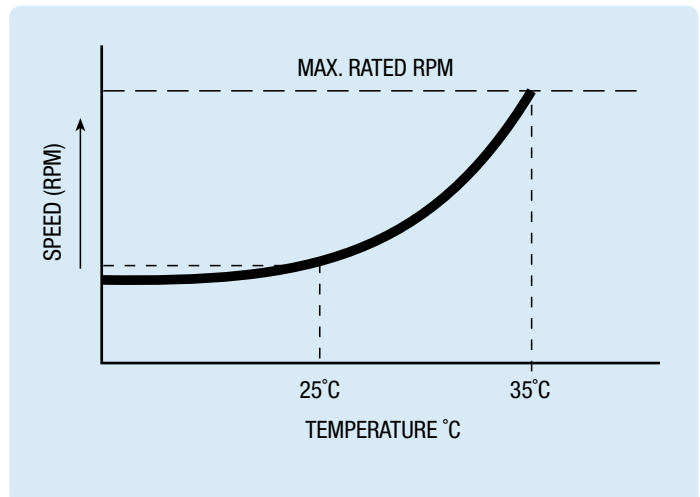
Locked rotor signal 4 VDC 6 VDC 12 VDC 24VDC

All voltages +/- 0.5 VD C

TTL compatible signal output available



Thermistor Control



AC AXIAL FANS

[PART NUMBERING SYSTEM]

UF 12 A R 12 - B T H NS R - _

AC SERIES

UF, UX, UC, . . . : Standard Model

FRAME SIZE

60 60mm
80 80mm
92 92mm
12 120mm
13 127mm
16 160mm
15 172x150mm
17 172mm dia.
18 180mm
20 205mm
25 254mm dia.

FRAME THICKNESS

A 38mm
B 25mm
D 30mm
F 62mm, 65mm
G 89mm
H 107mm
J 90mm
K 55mm
P 51mm

FEATURES

C Permanent Split Capacitor Motor
M Metal Impeller
CR Permanent Split Capacitor & Reverse Flow
R Reverse Airflow
E Frameless Motor
MR Metal Impeller & Reverse Flow

VOLTAGE

12 115 VAC
23 230 VAC
12/23 115/230 VAC Dual Voltage
99 90 ~ 264 VAC
02 24 VAC

CC Conformal Coating
F High Temperature
B1 Tachometer Output
B2 Locked Rotor Output

ROHS COMPLIANT

OPTIONS

N IP55
NS IP55 & Salt Fog Protection

AIR FLOW LEVEL

SL
S
L
M
H

CONNECTION

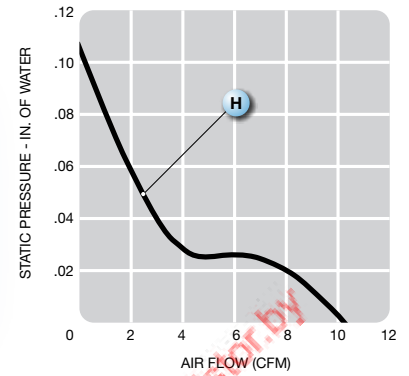
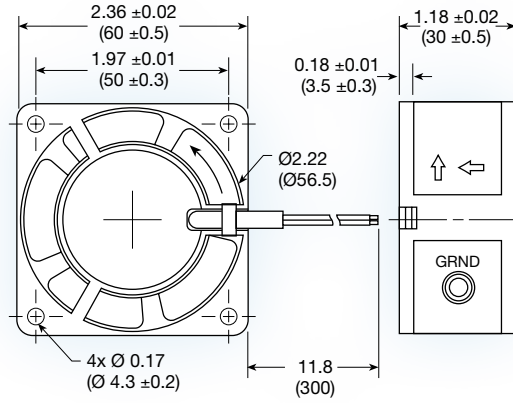
T Terminal
W Leadwire

BEARINGS

B Ball
S Sleeve

Cooling Simplified

UF60D series

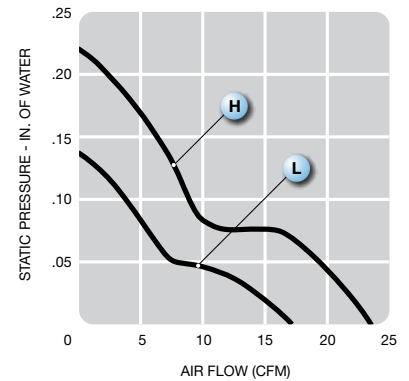
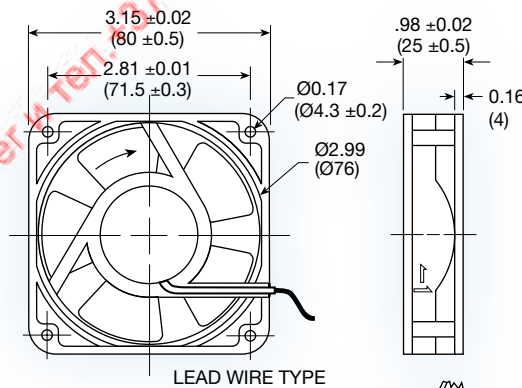


(60 x 60 x 30 mm)
2.36 x 2.36 x 1.18 inches

Operating voltage:	115 or 230 VAC
Construction:	aluminum die cast frame; UL94V-0 PBT impeller
Bearing option:	ball bearing
Motor:	shaded pole
Air Flow:	exhaust over struts
Connection:	22 AWG lead wire
Protection:	impedance
Option:	IP55

Model No.	Rated Voltage V	Freq. HZ	Input Power W	Rated Cur. A	Locked Cur. A	Speed RPM	Air Volume		Max. Static Pressure (H ₂ O)		Sound Noise dbA	Weight kg
							M ³ /Min.	CFM	MM	INCH		
UF60D12-__H	115	60	4	0.035	0.040	3,100	0.29	10.2	2.8	0.11	28	0.14
UF60D23-__H	230	60	4	0.016	0.020	3,100	0.29	10.2	2.8	0.11	28	0.14

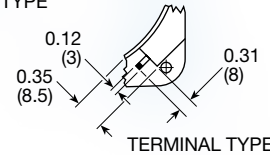
UF80B series



(80 x 80 x 25 mm)
3.15 x 3.15 x 0.98 inches

Operating voltage:	115 or 230 VAC
Construction:	aluminum die cast frame; UL94V-0 PBT impeller
Bearing option:	ball bearing or sintered bronze sleeve
Motor:	shaded pole
Air Flow:	exhaust over struts
Connection:	terminal or 22 AWG lead wire
Protection:	impedance
Options:	dual voltage 115/130VAC, IP55; IP55 + salt fog

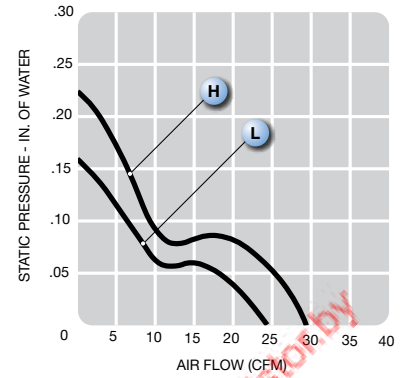
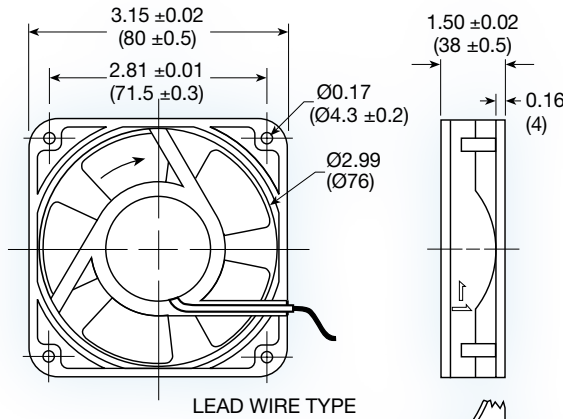
Model No.	Rated Voltage V	Freq. HZ	Input Power W	Rated Cur. A	Locked Cur. A	Speed RPM	Air Volume		Max. Static Pressure (H ₂ O)		Sound Noise dbA	Weight kg
							M ³ /Min.	CFM	MM	INCH		
UF80B12-__H	115	60	11	0.12	0.13	3,100	0.68	24	5.5	0.22	35	0.26
UF80B23-__H	230	60	14	0.07	0.08	3,100	0.68	24	5.5	0.22	35	0.26
UF80B12-__L	115	60	11	0.12	0.13	2,400	0.50	18	3.5	0.14	31	0.26
UF80B23-__L	230	60	14	0.06	0.07	2,400	0.50	18	3.5	0.14	31	0.26



TOC

QUALITY ISO 9001:2008 REGISTERED

UF80A series



LEAD WIRE TYPE



TERMINAL TYPE

(80 x 80 x 38 mm)

3.15 x 3.15 x 1.5 inches

Operating voltage: 115 or 230 VAC

Construction: aluminum die cast frame; UL94V-0 PBT impeller

Bearing option: ball bearing or sintered bronze sleeve

Motor: shaded pole

Air Flow: exhaust over struts

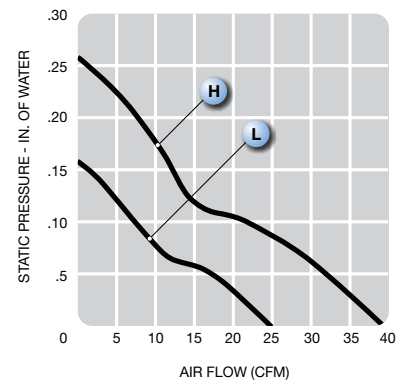
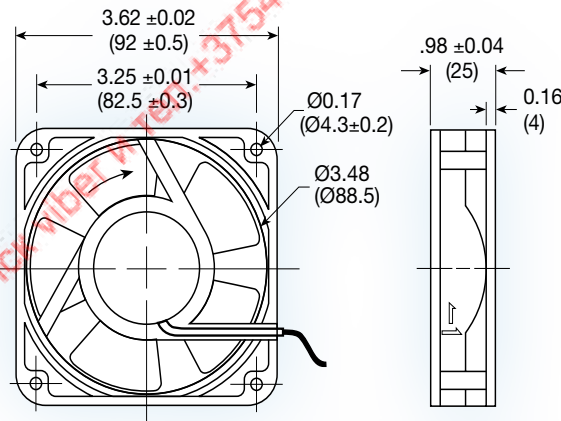
Connection: terminal or 22 AWG lead wire

Protection: impedance

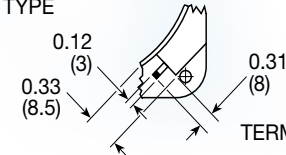
Option: dual voltage 115/230VAC

Model No.	Rated Voltage V	Freq. HZ	Input Power W	Rated Cur. A	Locked Cur. A	Speed RPM	Air Volume		Max. Static Pressure (H ₂ O)		Sound Noise dbA	Weight kg
							M ³ /Min.	CFM	MM	INCH		
UF80A12-__H	115	60	9	0.12	0.13	3,000	0.83	30	5.5	0.22	36	0.28
UF80A23-__H	230	60	12	0.06	0.07	3,000	0.83	30	5.5	0.22	36	0.28
UF80A12-__L	115	60	9	0.10	0.11	2,400	0.70	25	4.0	0.16	32	0.28
UF80A23-__L	230	60	12	0.05	0.06	2,400	0.70	25	4.0	0.16	32	0.28

UF92B series



LEAD WIRE TYPE



TERMINAL TYPE

(92 x 92 x 25 mm)

3.62 x 3.62 x 0.98 inches

Operating voltage: 115 or 230 VAC

Construction: aluminum die cast frame; UL94V-0 PBT impeller

Bearing option: ball bearing or sintered bronze sleeve

Motor: shaded pole

Air Flow: exhaust over struts

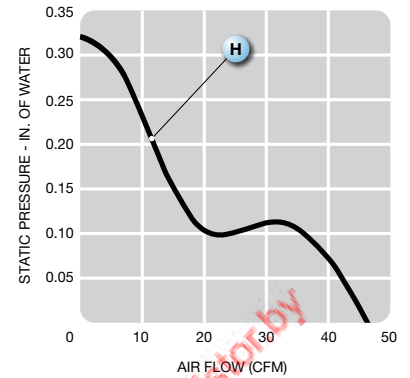
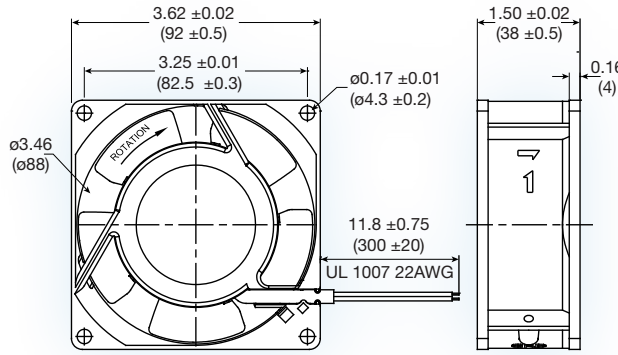
Connection: terminal or 22 AWG lead wire

Protection: impedance

Options: dual voltage 115/130VAC, IP55; IP55 + salt fog

Model No.	Rated Voltage V	Freq. HZ	Input Power W	Rated Cur. A	Locked Cur. A	Speed RPM	Air Volume		Max. Static Pressure (H ₂ O)		Sound Noise dbA	Weight kg
							M ³ /Min.	CFM	MM	INCH		
UF92B12-__H	115	60	11	0.12	0.13	3,000	1.13	40	6.5	0.26	36	0.28
UF92B23-__H	230	60	14	0.07	0.08	3,000	1.13	40	6.5	0.26	36	0.28
UF92B12-__L	115	60	11	0.11	0.12	2,300	0.70	25	4.0	0.16	32	0.28
UF92B23-__L	230	60	14	0.06	0.07	2,300	0.70	25	4.0	0.16	32	0.28

UF92A series



(92 x 92 x 38 mm)

3.62 x 3.62 x 1.5 inches

Operating voltage: 115 or 230 VAC

Construction: die cast aluminum frame;
UL94V-0 PBT impeller

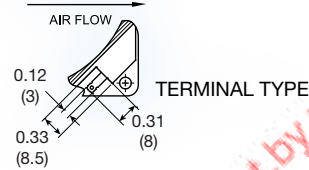
Bearing option: ball bearing

Motor: shaded pole

Air Flow: exhaust over struts

Connection: terminal or 22 AWG lead wire

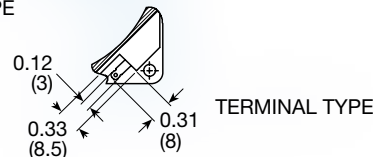
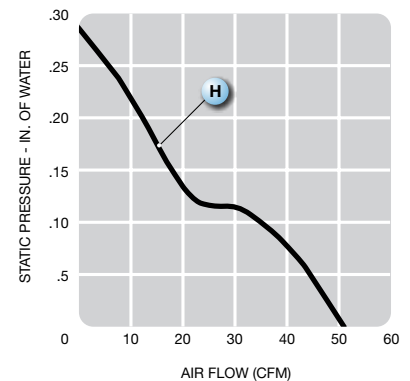
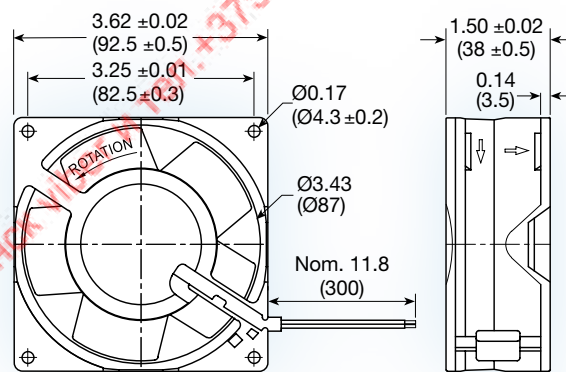
Protection: impedance



Model No.	Rated Voltage V	Freq. HZ	Input Power W	Rated Cur. A	Locked Cur. A	Speed RPM	Air Volume		Max. Static Pressure (H ₂ O)		Sound Noise dBa	Weight kg
							M ³ /Min.	CFM	MM	INCH		
UF92A12-__H	115	60	12	0.16	0.25	3,300	1.3	46	8.1	0.32	38	0.45
UF92A23-__H	230	60	12	0.09	0.13	3,300	1.3	46	8.1	0.32	38	0.45

TOC

UF92AM series



(92 x 92 x 38 mm)

3.62 x 3.62 x 1.5 inches

Features: **high temp; -40°C ~ 90°C operating temperature range**

Operating voltage: 115 or 230 VAC

Construction: aluminum die cast frame;
metal impeller

Bearing option: ball bearing with high temp
lubricant

Motor: shaded pole - Class F insulation

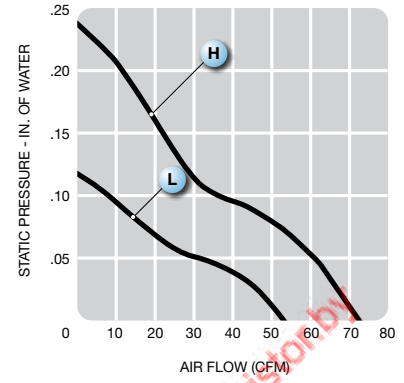
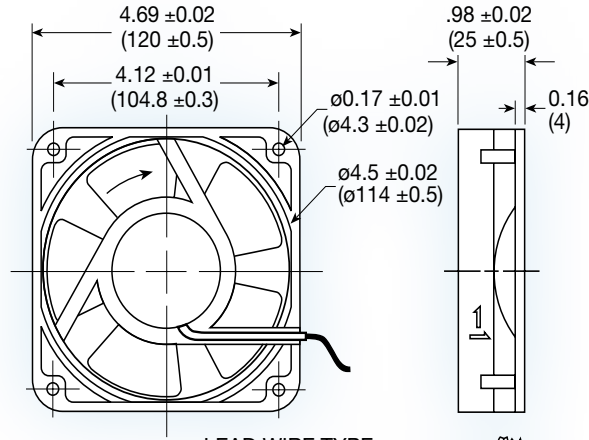
Air Flow: exhaust over struts

Connection: terminal or 22 AWG lead wire

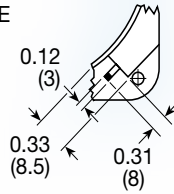
Protection: impedance

Model No.	Rated Voltage V	Freq. HZ	Input Power W	Rated Cur. A	Locked Cur. A	Speed RPM	Air Volume		Max. Static Pressure (H ₂ O)		Sound Noise dBa	Weight kg
							M ³ /Min.	CFM	MM	INCH		
UF92AM12-__H	115	60	11	0.12	0.17	3,200	1.45	51	7.5	0.30	42	0.43
UF92AM23-__H	230	60	11	0.06	0.08	3,200	1.45	51	7.5	0.30	42	0.43

UF12B series



LEAD WIRE TYPE



TERMINAL TYPE

(120 x 120 x 25 mm)

4.69 x 4.69 x 0.98 inches

Operating voltage: 115 or 230 VAC

Construction: aluminum die cast frame; UL94V-0 PBT impeller

Bearing option: ball bearing or sintered bronze sleeve

Motor: shaded pole

Air Flow: exhaust over struts

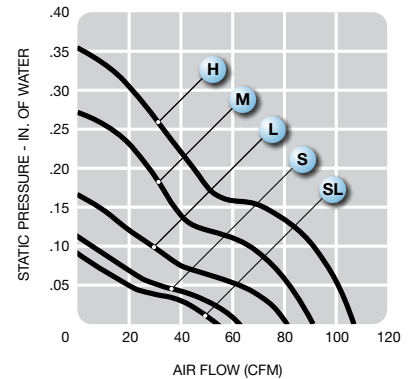
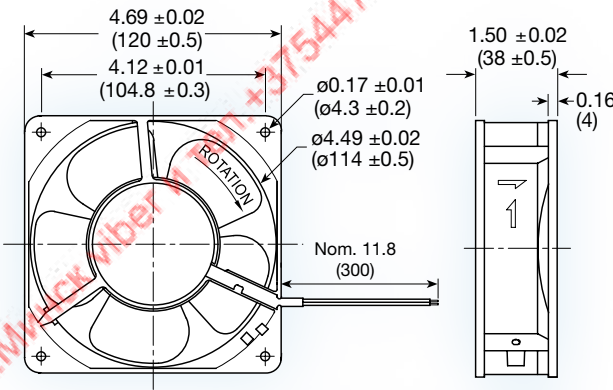
Connection: terminal or 22 AWG lead wire

Protection: impedance

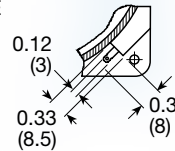
Option: dual voltage 115/130VAC

Model No.	Rated Voltage V	Freq. HZ	Input Power W	Rated Cur. A	Locked Cur. A	Speed RPM	Air Volume		Max. Static Pressure (H ₂ O)		Sound Noise dBa	Weight oz
							M ³ /Min.	CFM	MM	INCH		
UF12B12-__H	115	60	11	0.12	0.15	2,900	2.1	75	6.0	0.24	42	11.6
UF12B23-__H	230	60	14	0.07	0.08	2,900	2.1	75	6.0	0.24	42	11.6
UF12B12-__L	115	60	11	0.11	0.12	2,000	1.5	53	2.9	0.11	33	11.6
UF12B23-__L	230	60	14	0.06	0.07	2,000	1.5	53	2.9	0.11	33	11.6

UF12A series



LEAD WIRE TYPE



TERMINAL TYPE

(120 x 120 x 38 mm)

4.69 x 4.69 x 1.5 inches

Operating voltage: 115 or 230 VAC

Construction: aluminum die cast frame; UL94V-0 PBT impeller

Bearing option: ball bearing or sintered bronze sleeve

Motor: shaded pole

Air Flow: exhaust over struts

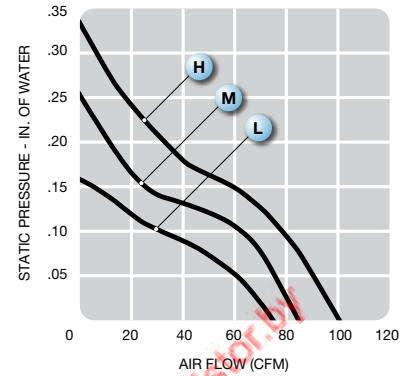
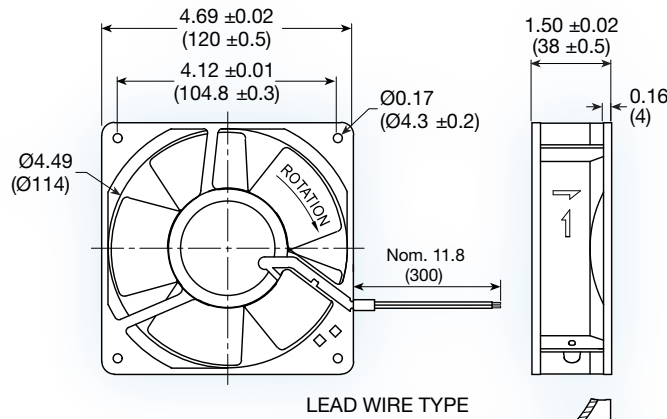
Connection: terminal or 22 AWG lead wire

Protection: impedance

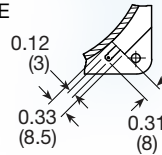
Option: dual voltage 115/130VAC; IP55; IP55 + salt fog

Model No.	Rated Voltage V	Freq. HZ	Input Power W	Rated Cur. A	Locked Cur. A	Speed RPM	Air Volume		Max. Static Pressure (H ₂ O)		Sound Noise dBa	Weight kg
							M ³ /Min.	CFM	MM	INCH		
UF12A12-__H	115	60	12	0.16	0.23	3,100	3.0	106	8.7	0.35	46	0.53
UF12A23-__H	230	60	15	0.08	0.12	3,100	3.0	106	8.7	0.35	46	0.53
UF12A12-__M	115	60	12	0.17	0.19	2,750	2.6	92	7.0	0.28	42	0.53
UF12A23-__M	230	60	15	0.08	0.09	2,750	2.6	92	7.0	0.28	42	0.53
UF12A12-__L	115	60	12	0.15	0.16	2,300	2.3	81	4.0	0.16	38	0.53
UF12A23-__L	230	60	15	0.07	0.08	2,300	2.3	81	4.0	0.16	38	0.53
UF12A12-__S	115	60	8	0.08	0.09	2,100	1.8	64	2.8	0.11	37	0.53
UF12A23-__S	230	60	8	0.04	0.05	2,100	1.8	64	2.8	0.11	37	0.53
UF12A12-__SL	115	60	6	0.06	0.07	1,800	1.6	57	2.3	0.09	36	0.53
UF12A23-__SL	230	60	6	0.03	0.04	1,800	1.6	57	2.3	0.09	36	0.53

UF12AR series



LEAD WIRE TYPE



TERMINAL TYPE

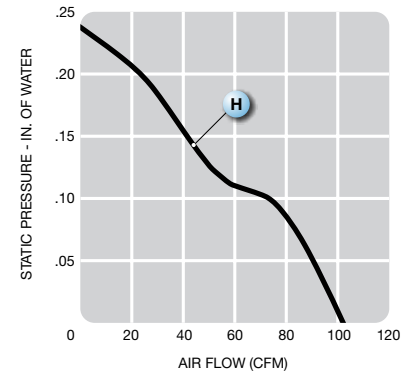
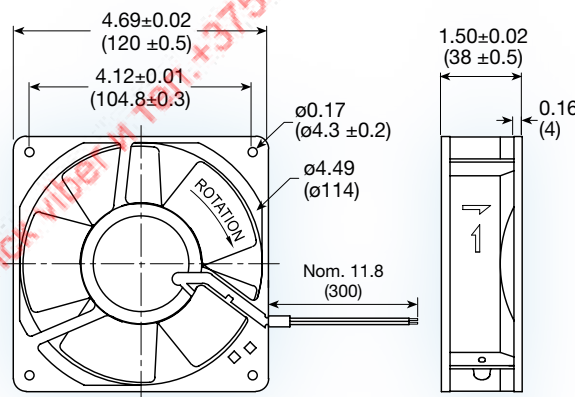
(120 x 120 x 38 mm)

4.69 x 4.69 x 1.5 inches

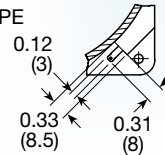
- Features:** Reverse air flow
- Operating voltage:** 115 or 230 VAC
- Construction:** aluminum die cast frame; UL94V-0 PBT impeller
- Bearing option:** ball bearing or sintered bronze sleeve
- Motor:** shaded pole
- Air Flow:** intake over struts
- Connection:** terminal or 22 AWG lead wire
- Protection:** impedance

Model No.	Rated Voltage V	Freq. HZ	Input Power W	Rated Cur. A	Locked Cur. A	Speed RPM	Air Volume		Max. Static Pressure (H ₂ O)		Sound Noise dbA	Weight kg
							M ³ /Min.	CFM	MM	INCH		
UF12AR12-__H	115	60	11	0.19	0.20	3,100	2.8	99	8.5	0.33	47	0.53
UF12AR23-__H	230	60	15	0.09	0.10	3,100	2.8	99	8.5	0.33	47	0.53
UF12AR12-__M	115	60	11	0.17	0.19	2,750	2.4	85	6.5	0.26	45	0.53
UF12AR23-__M	230	60	15	0.08	0.09	2,750	2.4	85	6.5	0.26	45	0.53
UF12AR12-__L	115	60	11	0.15	0.16	2,300	2.1	75	4.0	0.16	38	0.53
UF12AR23-__L	230	60	15	0.07	0.08	2,300	2.1	75	4.0	0.16	38	0.53

UF12AM series



LEAD WIRE TYPE



TERMINAL TYPE

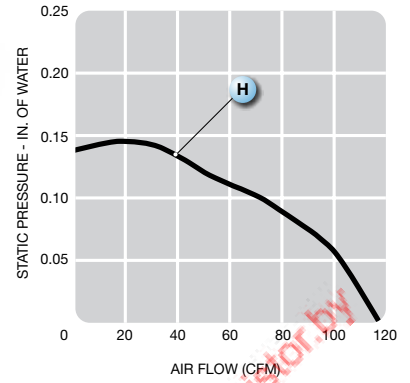
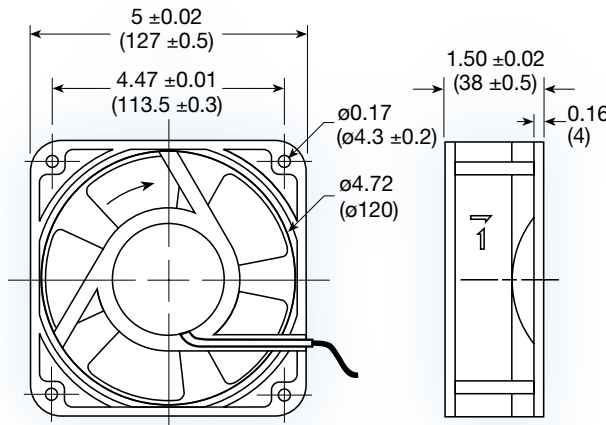
(120 x 120 x 38 mm)

4.69 x 4.69 x 1.5 inches

- Features:** high temp -40°C ~ 90°C operating temperature range
- Operating voltage:** 115 or 230 VAC
- Construction:** aluminum die cast frame; metal impeller
- Bearing option:** ball bearing with high temp lubricant
- Motor:** shaded pole - Class F insulation
- Air Flow:** exhaust over struts
- Connection:** terminal or 22 AWG lead wire
- Protection:** impedance

Model No.	Rated Voltage V	Freq. HZ	Input Power W	Rated Cur. A	Locked Cur. A	Speed RPM	Air Volume		Max. Static Pressure (H ₂ O)		Sound Noise dbA	Weight kg
							M ³ /Min.	CFM	MM	INCH		
UF12AM12-__H	115	60	13	0.15	0.22	3,100	2.9	103	6.0	0.24	46	0.55
UF12AM23-__H	230	60	15	0.09	0.12	3,100	2.9	103	6.0	0.24	46	0.55

UF13A series



(127 x 127 x 38 mm)

5.0 x 5.0 x 1.5 inches

Operating voltage: 115 or 230 VAC

Construction: aluminum die cast frame; UL94V-0 PBT impeller

Bearing option: ball bearing or sintered bronze sleeve

Motor: shaded pole

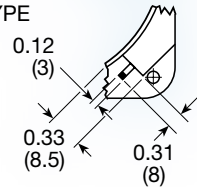
Air Flow: exhaust over struts

Connection: terminal or 22 AWG lead wire

Protection: impedance

Option: IP55; IP55 + salt fog

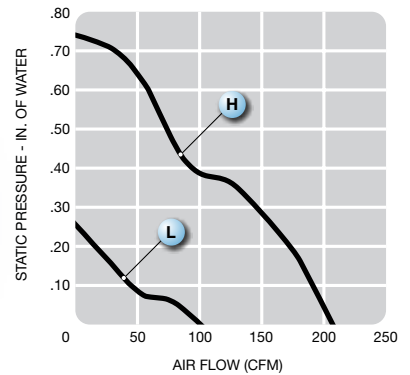
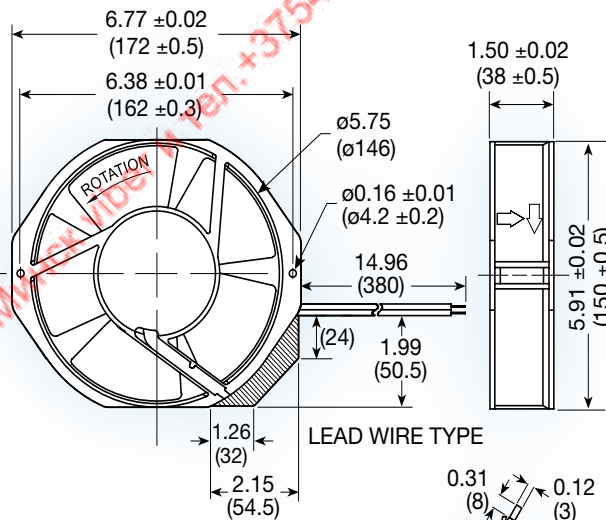
LEAD WIRE TYPE



TERMINAL TYPE

Model No.	Rated Voltage V	Freq. HZ	Input Power W	Rated Cur. A	Locked Cur. A	Speed RPM	Air Volume		Max. Static Pressure (H ₂ O)		Sound Noise dB _A	Weight kg
							M ³ /Min.	CFM	MM	INCH		
UF13A12-__H	115	60	12	0.16	0.23	3,000	3.4	120	3.5	0.14	50	0.55
UF13A23-__H	230	60	15	0.09	0.11	3,000	3.4	120	3.5	0.14	50	0.55

UF15AC series



(172 x 150 x 38 mm)

6.77 x 5.91 x 1.50 inches

Operating voltage: 115 or 230 VAC

Construction: aluminum die cast frame; UL94V-0 PBT impeller

Bearing option: ball bearing

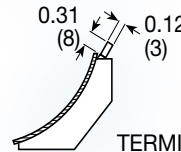
Motor: permanent split capacitor

Air Flow: exhaust over struts

Connection: terminal or 22 AWG lead wire

Protection: thermal

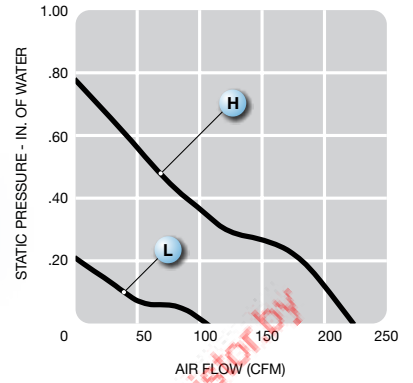
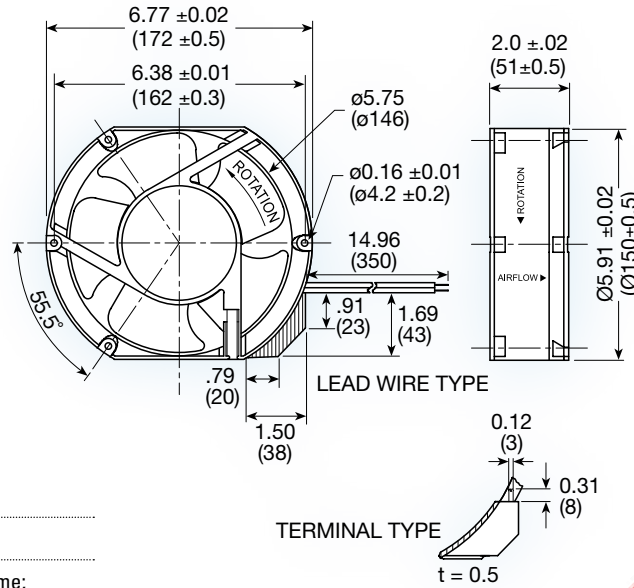
LEAD WIRE TYPE



TERMINAL TYPE

Model No.	Rated Voltage V	Freq. HZ	Input Power W	Rated Cur. A	Locked Cur. A	Speed RPM	Air Volume		Max. Static Pressure (H ₂ O)		Sound Noise dB _A	Weight kg
							M ³ /Min.	CFM	MM	INCH		
UF15AC12-__H	115	60	28	0.23	0.38	3,400	6.0	212	19.0	0.75	58	0.72
UF15AC23-__H	230	60	26	0.11	0.18	3,400	6.0	212	19.0	0.75	58	0.72
UF15AC12-__L	115	60	28	0.15	0.20	1,700	2.9	103	6.5	0.26	44	0.72
UF15AC23-__L	230	60	26	0.07	0.10	1,700	2.9	103	6.5	0.26	44	0.72

UF15PC series

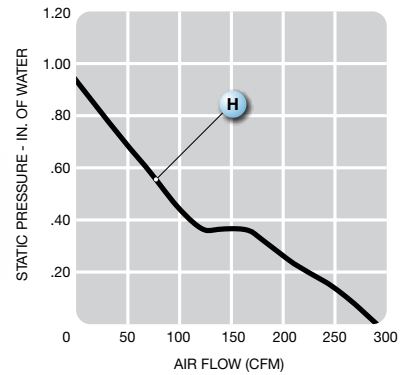
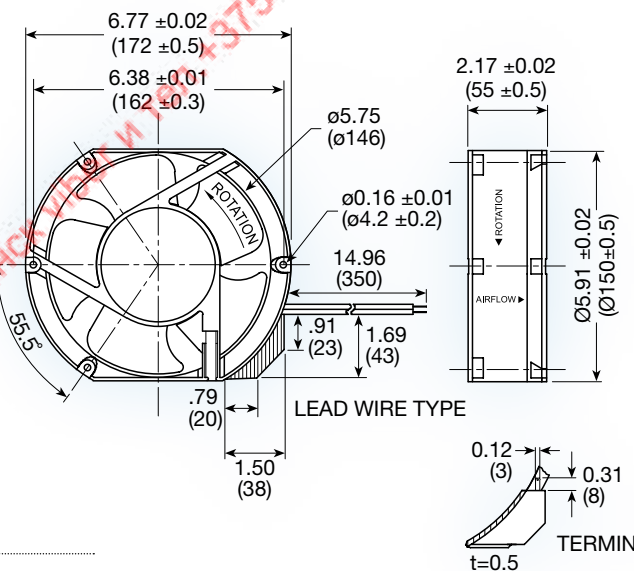


(172 x 150 x 51 mm)
6.77 x 5.91 x 2.0 inches

- Operating voltage: 115 or 230 VAC
- Construction: aluminum die cast frame; UL94V-0 PBT impeller
- Bearing option: ball bearing
- Motor: permanent split capacitor
- Air Flow: exhaust over struts
- Connection: terminal or 22 AWG lead wire
- Protection: thermal
- Option: dual voltage 115/130VAC; IP55; IP55 + salt fog

Model No.	Rated Voltage V	Freq. HZ	Input Power W	Rated Cur. A	Locked Cur. A	Speed RPM	Air Volume		Max. Static Pressure (H ₂ O)		Sound Noise dbA	Weight kg
							M ³ /Min.	CFM	MM	INCH		
UF15PC12-__H	115	60	31	0.25	0.43	3,400	6.4	226	20.0	0.79	58	0.80
UF15PC23-__H	230	60	29	0.12	0.19	3,400	6.4	226	20.0	0.79	58	0.80
UF15PC12-__L	115	60	31	0.15	0.20	1,700	3.0	106	5.5	0.22	37	0.80
UF15PC23-__L	230	60	29	0.07	0.09	1,700	3.0	106	5.5	0.22	37	0.80

UF15KC series

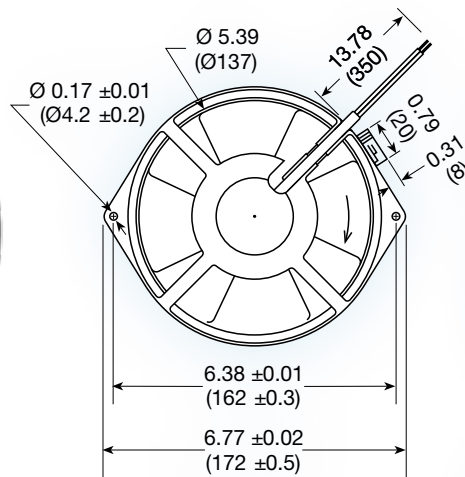


(172 x 150 x 55 mm)
6.77 x 5.91 x 2.17 inches

- Operating voltage: 115 or 230 VAC
- Construction: aluminum die cast frame; UL94V-0 PBT impeller
- Bearing option: ball bearing
- Motor: permanent split capacitor
- Air Flow: exhaust over struts
- Connection: terminal or 22 AWG lead wire
- Protection: thermal
- Option: dual voltage 115/130VAC; IP55; IP55 + salt fog

Model No.	Rated Voltage V	Freq. HZ	Input Power W	Rated Cur. A	Locked Cur. A	Speed RPM	Air Volume		Max. Static Pressure (H ₂ O)		Sound Noise dbA	Weight kg
							M ³ /Min.	CFM	MM	INCH		
UF15KC12-__H	115	60	38	0.34	0.76	3,400	8.3	293	23	0.90	60	1.05
UF15KC23-__H	230	60	38	0.17	0.38	3,400	8.3	293	23	0.90	60	1.05

UF15KM series

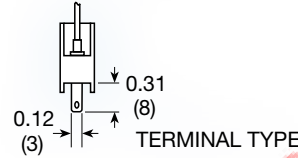


(172 x 150 x 55 mm)
6.77 x 5.91 x 2.17 inches

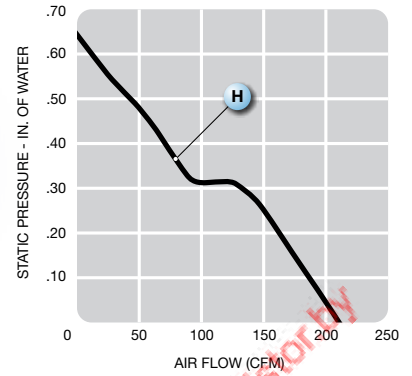
Features: high temp operating temperature range -40°C ~ 90°C

- Operating voltage: 115 or 230 VAC
- Construction: aluminum die cast frame; metal Impeller
- Bearing option: ball bearing
- Motor: shaded pole
- Air Flow: exhaust over struts
- Connection: terminal or 22 AWG lead wire
- Protection: thermal

LEAD WIRE TYPE

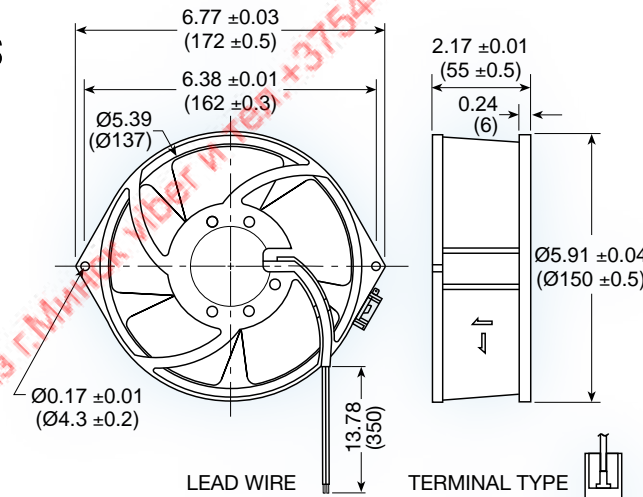


TERMINAL TYPE



Model No.	Rated Voltage V	Freq. HZ	Input Power W	Rated Cur. A	Locked Cur. A	Speed RPM	Air Volume		Max. Static Pressure (H ₂ O)		Sound Noise dbA	Weight kg
							M ³ /Min.	CFM	MM	INCH		
UF15KM12-__H	115	60	42	0.47	0.75	3,250	6.5	230	16	0.63	53	1.10
UF15KM23-__H	230	60	42	0.23	0.37	3,250	6.5	230	16	0.63	53	1.10

UF15KMR series



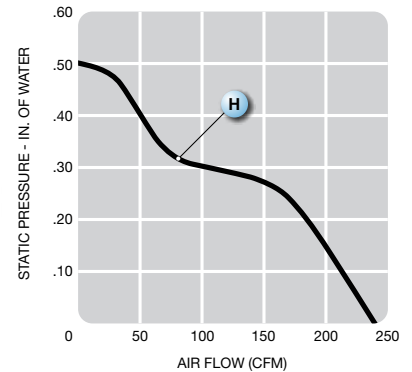
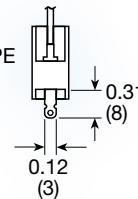
(172 x 150 x 55 mm)
6.77 x 5.91 x 2.17 inches

Features: high temp -40°C ~ 90°C operating temperature

- Operating voltage: 115 or 230 VAC
- Construction: aluminum die cast frame; metal impeller
- Bearing option: ball bearing with high temp lubricant
- Motor: shaded pole - Class F insulation
- Air Flow: intake over struts
- Connection: terminal or 22 AWG lead wire
- Protection: thermal

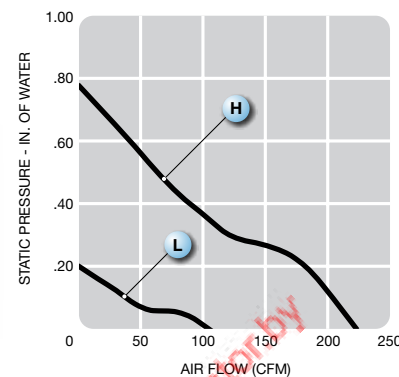
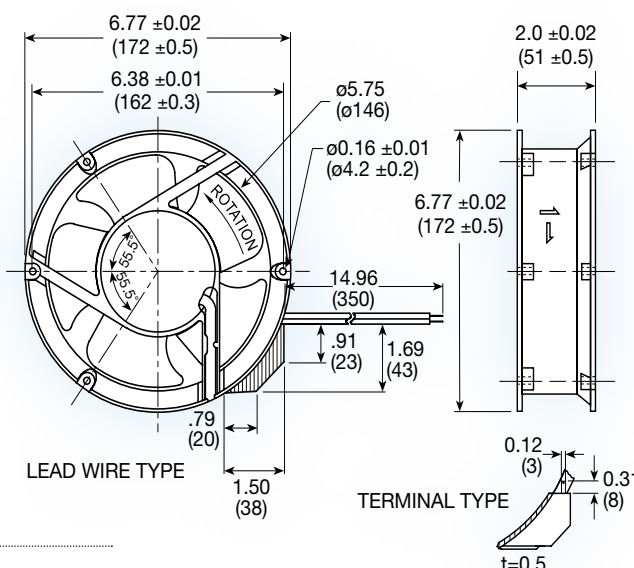
LEAD WIRE

TERMINAL TYPE



Model No.	Rated Voltage V	Freq. HZ	Input Power W	Rated Cur. A	Locked Cur. A	Speed RPM	Air Volume		Max. Static Pressure (H ₂ O)		Sound Noise dbA	Weight kg
							M ³ /Min.	CFM	MM	INCH		
UF15KMR12-__H	115	60	45	0.51	0.80	3,150	7.2	255	12.5	0.50	61	1.10
UF15KMR23-__H	230	60	45	0.25	0.38	3,150	7.2	255	12.5	0.50	61	1.10

UF17PC series



(172 dia. x 51 mm)
6.77 dia. x 2.0 inches

Operating voltage: 115 or 230 VAC

Construction: aluminum die cast frame;
UL94V-0 PBT impeller

Bearing option: ball bearing

Motor: permanent split capacitor

Air Flow: exhaust over struts

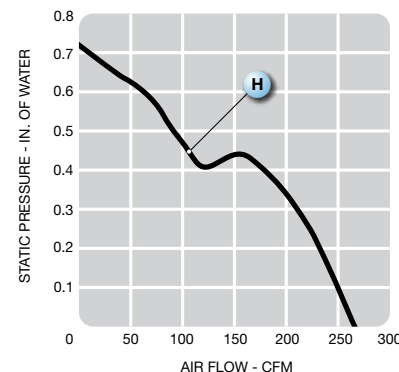
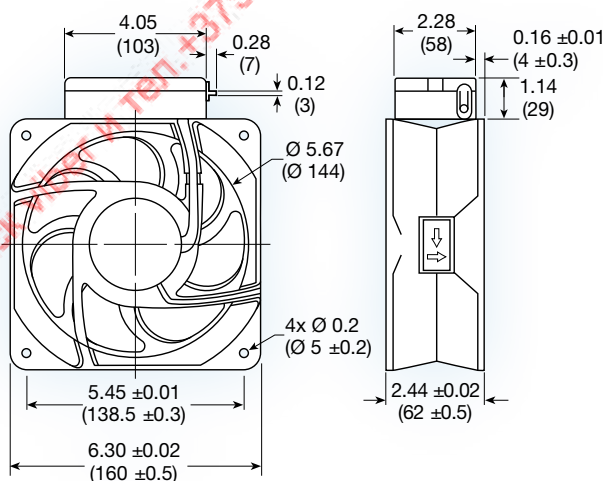
Connection: terminal or 22 AWG lead wire

Protection: thermal

Option: IP55; IP55 + salt fog

Model No.	Rated Voltage V	Freq. HZ	Input Power W	Rated Cur. A	Locked Cur. A	Speed RPM	Air Volume		Max. Static Pressure (H ₂ O)		Sound Noise dbA	Weight kg
							M ³ /Min.	CFM	MM	INCH		
UF17PC12-__H	115	60	31	0.25	0.43	3,400	6.4	226	20	0.79	55	0.82
UF17PC23-__H	230	60	29	0.12	0.19	3,400	6.4	226	20	0.79	55	0.82
UF17PC12-__L	115	60	31	0.15	0.20	1,700	3.0	106	5.5	0.22	37	0.82
UF17PC23-__L	230	60	29	0.07	0.09	1,700	3.0	106	5.5	0.22	37	0.82

UF16FC series



(160 x 160 x 62 mm)
6.30 x 6.30 x 2.44 inches

Operating voltage: 115 or 230 VAC

Construction: aluminum die cast frame;
UL94V-0 PBT impeller

Bearing option: ball bearing

Motor: permanent split capacitor

Air Flow: exhaust over struts

Connection: terminal

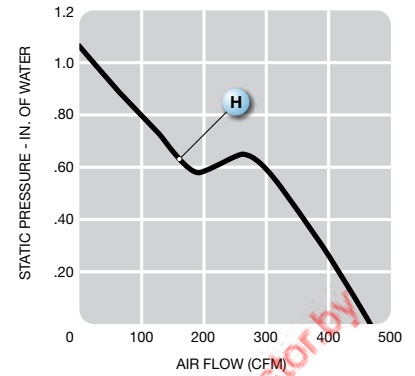
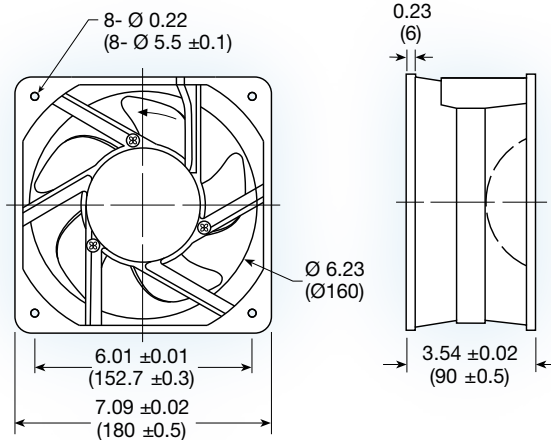
Protection: thermal

Model No.	Rated Voltage V	Freq. HZ	Input Power W	Rated Cur. A	Locked Cur. A	Speed RPM	Air Volume		Max. Static Pressure (H ₂ O)		Sound Noise dbA	Weight kg
							M ³ /Min.	CFM	MM	INCH		
UF16FC12-__H	115	60	41	0.34	0.79	3,400	7.5	265	18.2	0.72	56	1.33
UF16FC23-__H	230	60	41	0.17	0.41	3,400	7.5	265	18.2	0.72	56	1.33

TOC

QUALITY ISO 9001:2008 REGISTERED

UF18JC-4 series



(180 x 180 x 90 mm)

7.09 x 7.09 x 3.54 inches

Operating voltage: 115 or 230 VAC

Construction: aluminum die cast frame;
UL94V-0 PBT impeller

Bearing option: ball bearing

Motor: permanent split capacitor

Air Flow: exhaust over struts

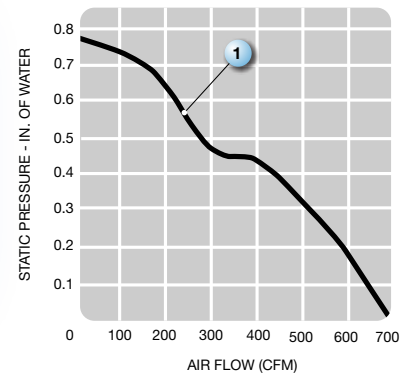
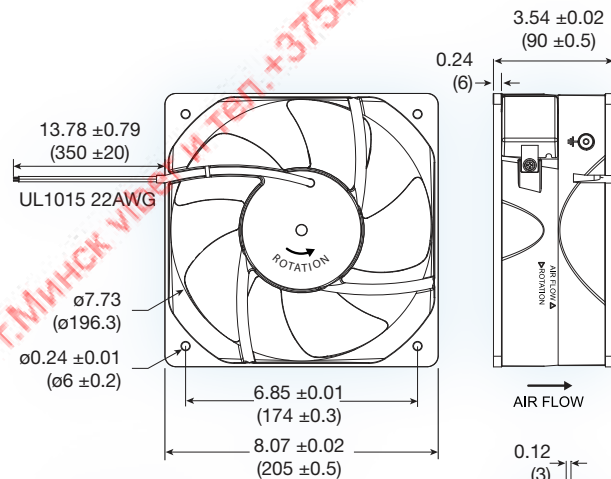
Connection: terminal or 22 AWG lead wires

Protection: thermal

Option: dual voltage 115/130VAC

Model No.	Rated Voltage V	Freq. HZ	Input Power W	Rated Cur. A	Locked Cur. A	Speed RPM	Air Volume		Max. Static Pressure (H ₂ O)		Sound Noise dBa	Weight kg
							M ³ /Min.	CFM	MM	INCH		
UF18JC12 - _H	115	60	72	0.63	2.01	3,400	13	460	27	1.06	59	2.20
UF18JC23 - _H	230	60	72	0.31	1.01	3,400	13	460	27	1.06	59	2.20

UF20JC series



(205 x 205 x 90 mm)

8.07 x 8.07 x 3.54 inches

Operating voltage: 115 or 230 VAC

Construction: aluminum die cast frame,
UL94V-0 PBT impeller

Bearing option: ball bearing

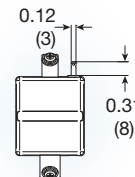
Motor: shaded pole

Air Flow: exhaust over struts

Connection: terminal or 22 AWG lead wire

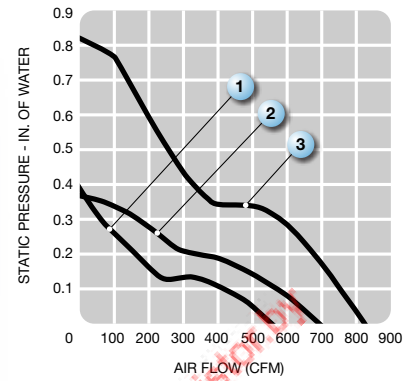
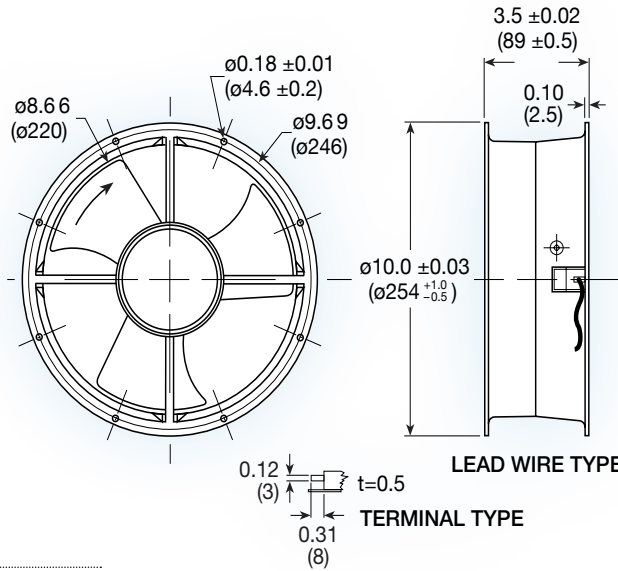
LEAD WIRE TYPE

TERMINAL TYPE



Model No.	Rated Voltage V	Freq. HZ	Input Power W	Rated Cur. A	Locked Cur. A	Speed RPM	Air Volume		Max. Static Pressure (H ₂ O)		Sound Noise dBa	Weight kg
							M ³ /Min.	CFM	MM	INCH		
UF20JC12 - H	115	60	98	0.90	1.22	3,200	19.3	680	19.8	0.77	71	2.40
UF20JC23 - H	230	60	98	0.45	0.61	3,200	19.3	680	19.8	0.77	71	2.40

UF25GC series

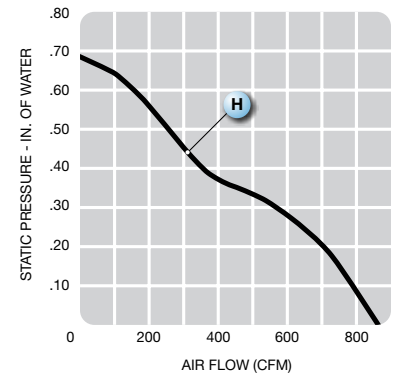
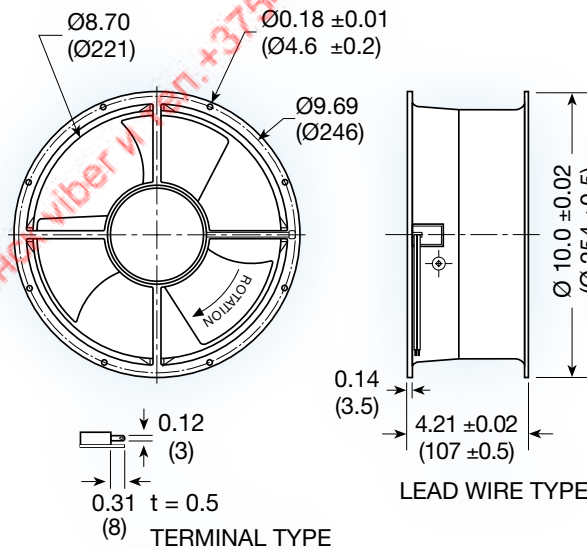


(254 dia. x 89 mm)
10.0 dia. x 3.5 inches

- Operating voltage: 115 or 230 VAC
- Construction: aluminum die cast frame; UL94V-0 PBT impeller
- Bearing option: ball bearing
- Motor: permanent split capacitor
- Air Flow: exhaust over struts
- Connection: terminal or 22 AWG lead wires
- Protection: thermal
- Option: dual voltage 115/130VAC

Model No.	Rated Voltage V	Freq. HZ	Input Power W	Rated Cur. A	Locked Cur. A	Speed RPM	Air Volume		Max. Static Pressure (H ₂ O)		Sound Noise dbA	Weight kg	Curve
							M ³ /Min.	CFM	MM	INCH			
UF25GC12-__H	115	60	33	0.29	0.51	1,650	15.5	550	10	0.40	55	1.90	1
UF25GC23-__H	230	60	33	0.14	0.25	1,650	15.5	550	10	0.40	55	1.90	1
UF25GCA12-__H	115	60	75	0.66	0.70	2,600	19.3	680	9.4	0.37	62	1.90	2
UF25GCA23-__H	230	60	75	0.35	0.36	2,600	19.3	680	9.4	0.37	62	1.90	2
UF25GCB12-__H	115	60	96	0.88	1.16	3200	23.0	812	20.7	0.82	65	2.30	3
UF25GCB23-__H	230	60	98	0.45	0.60	3200	23.0	812	20.7	0.82	65	2.30	3

UF25HC series

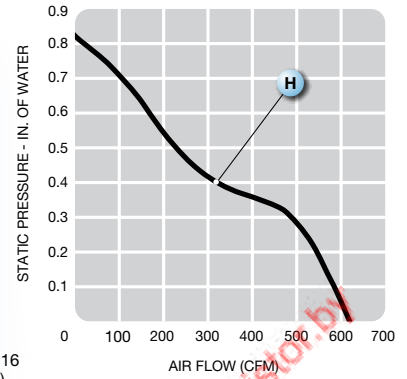
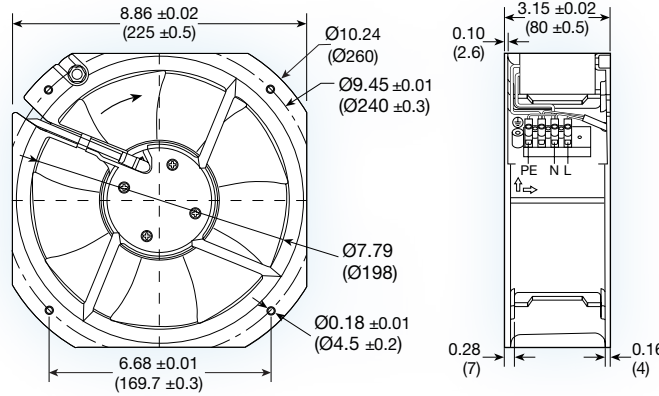


(254 dia. x 107 mm)
10.0 dia. x 4.21 inches

- Operating voltage: 115 or 230 VAC
- Construction: aluminum die cast frame; UL94V-0 PBT impeller
- Bearing option: ball bearing
- Motor: permanent split capacitor
- Air Flow: exhaust over struts
- Connection: terminal or 22 AWG lead wire
- Protection: thermal
- Option: dual voltage 115/130VAC

Model No.	Rated Voltage V	Freq. HZ	Input Power W	Rated Cur. A	Locked Cur. A	Speed RPM	Air Volume		Max. Static Pressure (H ₂ O)		Sound Noise dbA	Weight kg
							M ³ /Min.	CFM	MM	INCH		
UF25HC12-__H	115	60	125	1.07	1.50	2,750	24	850	17.5	0.68	65	2.50
UF25HC23-__H	230	60	125	0.50	0.75	2,750	24	850	17.5	0.68	65	2.50

UF200BMB-H2 series



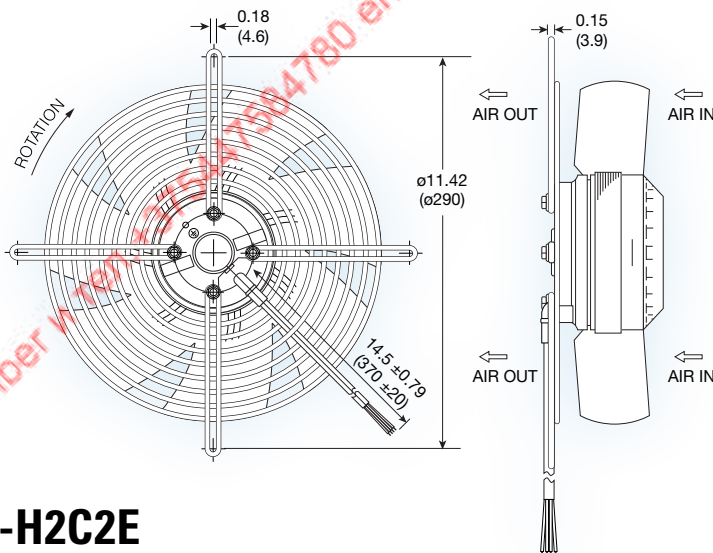
(225 x 225 x 80 mm)
8.86 x 8.86 x 3.15 inches

See page 43 for part system

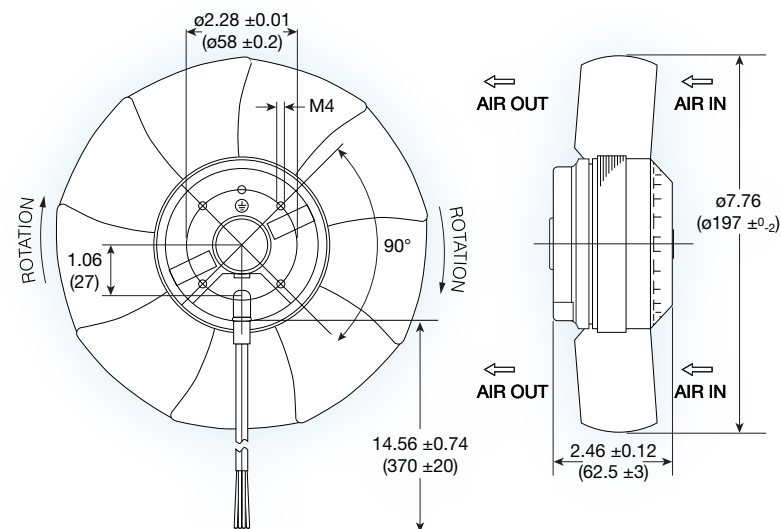
Features:	-20° ~ 70°C operating temperature range
Operating voltage:	115 or 230 VAC
Construction:	metal frame and impeller
Bearing option:	ball bearing with high temp lubricant
Motor:	permanent split capacitor - Class F insulation
Air Flow:	exhaust over struts
Connection:	terminal
Protection:	thermal

Model No.	Rated Voltage V	Freq. HZ	Input Power W	Rated Cur. A	Locked Cur. A	Speed RPM	Air Volume		Max. Static Pressure (H ₂ O)		Sound Noise dbA	Weight kg
							M ³ /Min.	CFM	MM	INCH		
UF200BMB12-H2	115	60	100	0.88	1.31	3,000	17.7	625	20.5	0.81	61	1.40
UF200BMB23-H2	230	60	80	0.37	0.61	3,000	17.7	625	20.5	0.81	61	1.40

-H2C2B (With Guard/No Frame)



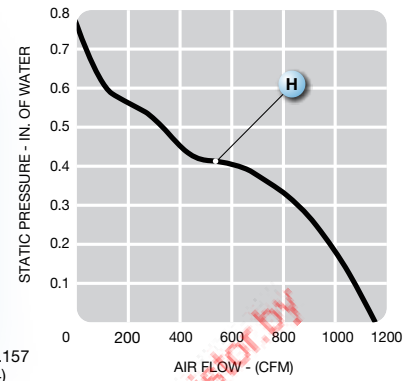
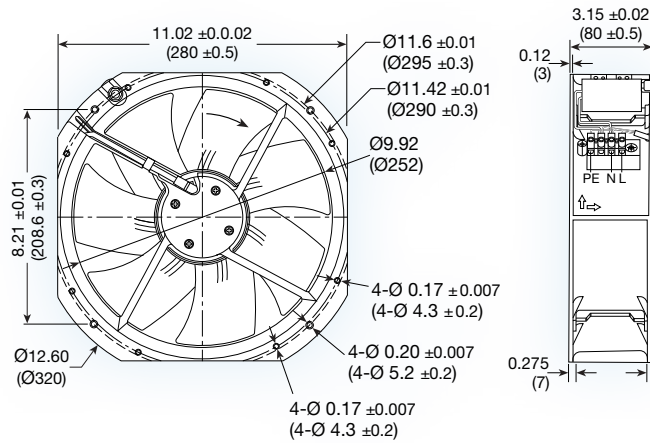
-H2C2E (Without Frame or Guard)



www.tinctor.by email: minsk.viber@tinctor.by



UF250BMB-H1 series



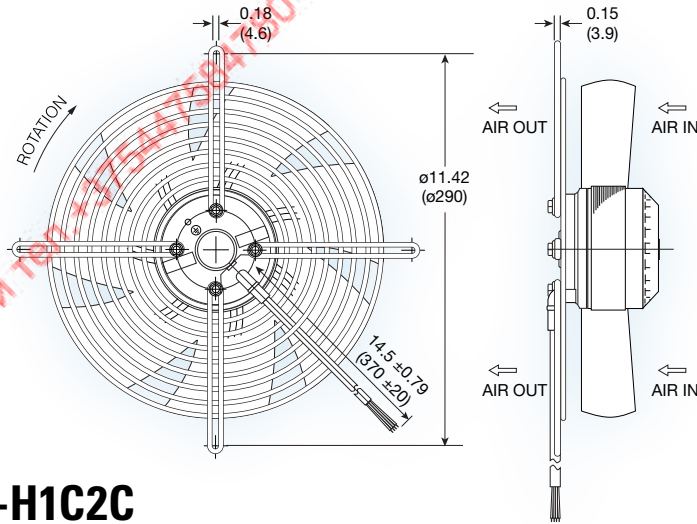
(280 x 280 x 80 mm)
11.02 x 11.02 x 3.15 inches

See page 43 for part system

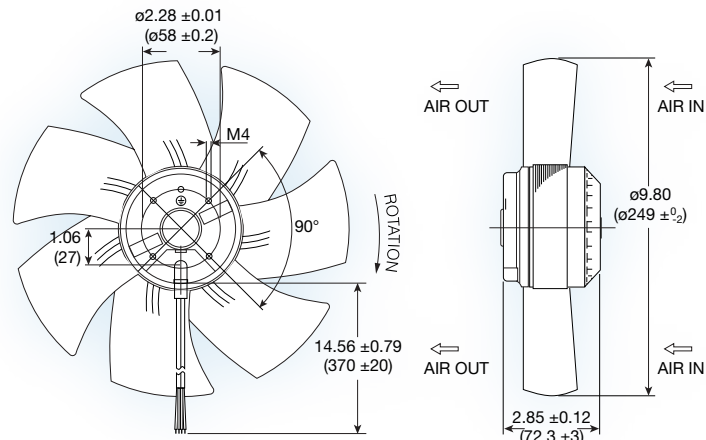
Features:	-20° ~ 70°C operating temperature range
Operating voltage:	115 or 230 VAC
Construction:	metal frame and impeller
Bearing option:	ball bearing with high temp lubricant
Motor:	permanent split capacitor - Class F insulation
Air Flow:	exhaust over struts
Connection:	terminal
Protection:	thermal

Model No.	Rated Voltage V	Freq. HZ	Input Power W	Rated Cur. A	Locked Cur. A	Speed RPM	Air Volume		Max. Static Pressure (H ₂ O)		Sound Noise dbA	Weight kg
							M ³ /Min.	CFM	MM	INCH		
UF250BMB12-H1	115	60	148	1.50	1.90	2,700	32	1130	20	0.78	70	2.80
UF250BMB23-H1	230	60	158	0.82	0.91	2,700	32	1130	20	0.78	70	2.80

-H1C2B (With Guard/No Frame)



-H1C2C (Without Frame or Guard)



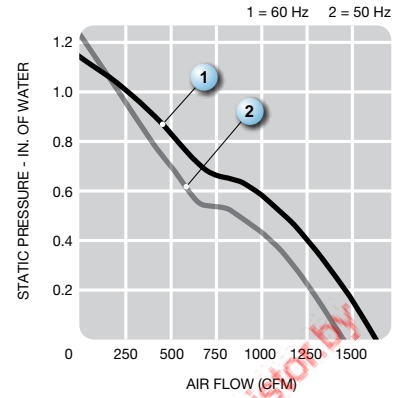
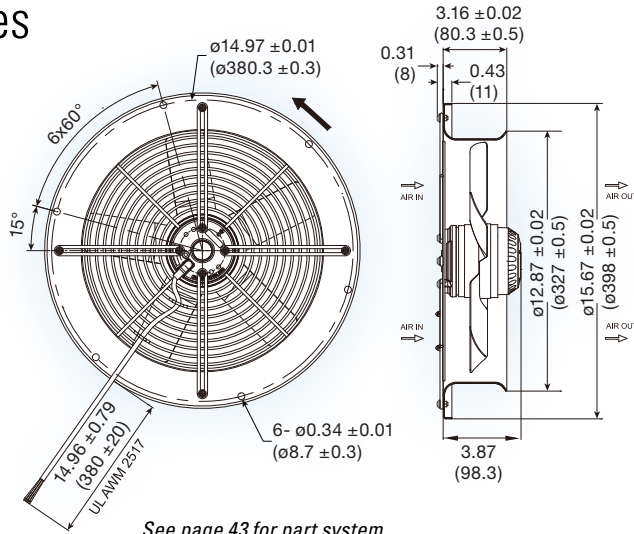
TOC



www.timstor.by email: minsk@timstor.by

в Беларусі Заказ Г.Мінск viber и т.д. +375 29 694 100

UF300BNA series



(398 dia. x 98.3 mm)
15.67 dia. x 3.87 inches

See page 43 for part system

Features:	forward curved impeller
Operating voltage:	115 or 230 VAC
Construction:	aluminum die cast motor base, steel frame and impeller
Bearing option:	ball bearing
Motor:	permanent split capacitor
Air Flow:	axial
Connection:	AWM 2517 lead wires

Model No.	Rated Voltage V	Freq. HZ	Input Power W	Rated Cur. A	Locked Cur. A	Speed RPM	Air Volume		Max. Static Pressure (H ₂ O)		Sound Noise dbA	Weight kg
							M ³ /Min.	CFM	MM	INCH		
UF300BNA12-H1C2A	115	50	150	1.60	3.15	2,650	40.6	1435	31	1.2	75	4.5
	115	60	200	2.40	3.10	2,950	45.7	1615	29	1.1	78	4.5
UF300BNA23-H1C2A	230	50	150	0.90	1.60	2,650	40.6	1435	31	1.2	75	4.5
	230	60	200	1.20	1.56	2,950	45.7	1615	29	1.1	78	4.5

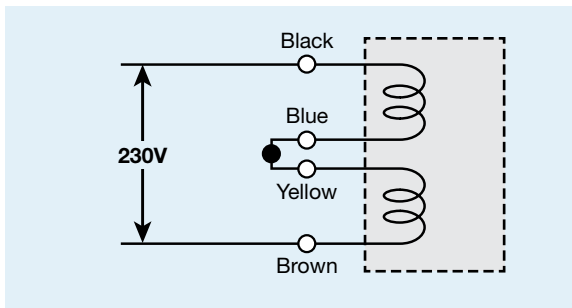
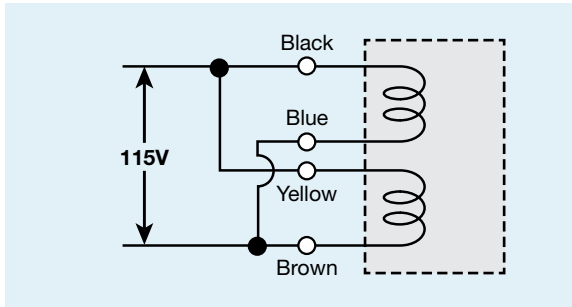
в Беларусі Закаж Г.Мінск viberg и тел. +375447584780 email: m.viberg@mechatronics.com



Engineering

FAN OPTIONS

Dual Voltage: Many Mechatronics AC axial fans and impellers are available in a 115/230VAC dual voltage package. These models are manufactured for either 115VAC or 230VAC operation. Each fan includes 4 unique colored lead wires. Fans can be hooked up for 115VAC or 230VAC by following the wiring diagram included on each fan.



Environmental Protection: Mechatronics AC axial fans are available with optional environmental protection ranging from light coating to full encapsulation. Available options vary by model.

Conformal Coating - Fan motor windings are treated with a thin coating prior to installation into the fan frame. Conformal coating is designed for light moisture exposure such as condensation.

Encapsulated Motor - Fan motor windings are sealed with potting material to prevent water and dust ingress. Encapsulation is designed for direct water exposure and has been tested to meet IP55 requirements.

Encapsulation + Salt Fog Protection - Fan motor windings are sealed with potting material to prevent water and dust ingress. Supplemental coating is added over all exposed areas of the fan motor to prevent corrosion from salt exposure.

Multiple Speed: Some Mechatronics AC axial fans and impellers are available with 2 speed options in the same unit. Each model is supplied with 3 lead wires. Black and blue wires are used for low speed operation. Black and brown wires are used for high speed operation.

DC Alarm Output: Some Mechatronics AC fans are available with a DC alarm signal. These options include tachometer and locked rotor output.

GENERAL SPECIFICATIONS*

Construction	Aluminum die-cast frame
Features	Thermoplastic UL94V-0 or metal impeller
Bearing Option	High precision chrome steel ball bearings or bronze sintered sleeve
Connection	Terminal or 22 AWG lead wire power connection
Protection	Impedance or thermal protection
Operating Temperature Range	- Ball Bearing -40°C ~ 70°C - Sleeve Bearing -20°C ~ 70°C
Dielectric Strength	AC 1500V (50/60Hz) for one minute
Insulation	Class B (unless otherwise noted)
Safety Agency Approvals	UL, cUL File E137077 - TUV - CE
Life Expectancy (L10)	60,000hrs @ 40° C

* Actual specifications, tolerances and safety agency approvals vary by model. Consult Mechatronics for individual specifications.

AC BLOWERS & IMPELLERS

[PART NUMBERING SYSTEM]

UF 220 A P A 12 - H1 C 2 A

AC SERIES

SIZE (mm)

Impeller/External Rotor

- 133 133mm dia
- 175 175mm dia
- 180 180mm dia
- 190 190mm dia
- 200 200mm dia
- 220 220mm dia
- 225(xx)..... 225mm dia x (69, 85 or 99)
- 250 250mm dia
- 300 300mm dia
- 318 318mm dia
- 360 360mm dia
- 400 400mm dia

Blower

- 90 120mm x 37mm
- 160 220mm x 56mm

TYPE

- A Centrifugal
- B Axial
- D Blower

IMPELLER MATERIAL

- A Aluminum
- M Steel
- P Plastic

IMPELLER DESIGN

- A Backward curved, single air intake
- B Forward curved, single air intake
- C Forward curved, dual air intake

CUSTOM FEATURES

- A Standard with Frame
- B With Guard/No Frame
- E Without Frame or Guard

POLES

- 2 2 Pole
- 4 4 Pole
- 6 6 Pole

MOTOR TYPE

- A 3 Phase
- C Permanent Split Capacitor
- S Shaded Pole
- D Single Phase EC Motor

SPEED

- H1, H2, High
- M1, M2, Medium
- L1, L2, Low

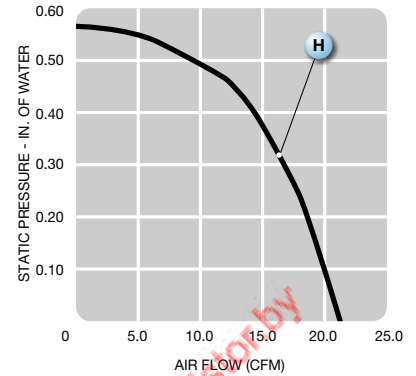
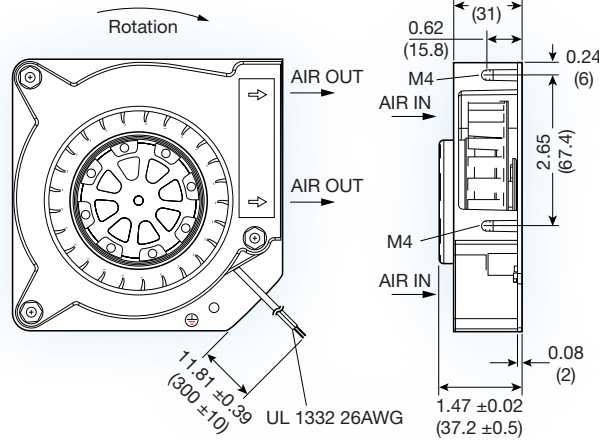
VOLTAGE

- 12 115V
- 23 230V
- 38 380V

в Беларуси заказ Г.МИНСК vibet и тел. +375 47 584 780 email: minsk17@vibet.by www.tiristor.by



UF90DPB series



(120 x 120 x 37 mm)

4.72 x 4.72 x 1.46 inches

Features: single inlet blower

Operating voltage: 115 or 230 VAC

Operating temp. -40° ~ 60°C

Construction: aluminum die cast motor base; UL94V-0 reinforced nylon impeller

Bearing option: ball bearing

Motor: shaded pole

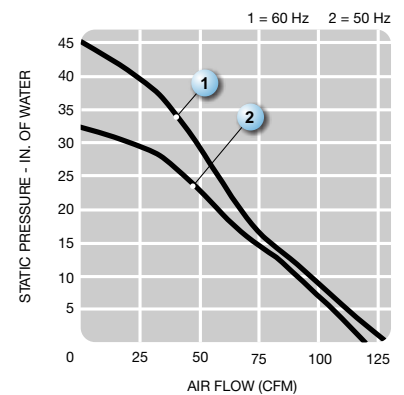
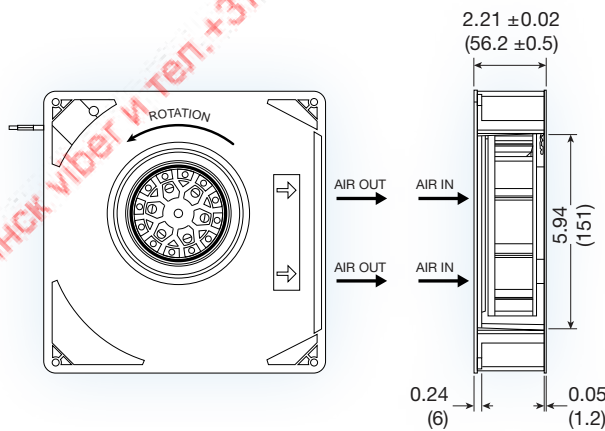
Air Flow: centrifugal

Connection: UL1332 26AWG lead wires

Protection: thermal

Model No.	Rated Voltage V	Freq. HZ	Input Power W	Rated Cur. A	Locked Cur. A	Speed RPM	Air Volume		Max. Static Pressure (H ₂ O)		Sound Noise dBa	Weight kg
							M ³ /Min.	CFM	MM	INCH		
UF90DPB12-H1S2A	115	60	18	0.21	0.26	2,700	0.60	21	13	0.50	51	0.66
UF90DPB23-H1S2A	230	60	18	0.10	0.12	2,700	0.60	21	13	0.50	51	0.66

UF160DPB series



(220 x 220 x 56.2 mm)

8.66 x 8.66 x 2.21 inches

Features: high pressure blower

Operating voltage: 115 or 230 VAC

Construction: metal motor base, UL94V-0 plastic frame and impeller

Bearing option: ball bearing

Motor: shaded pole

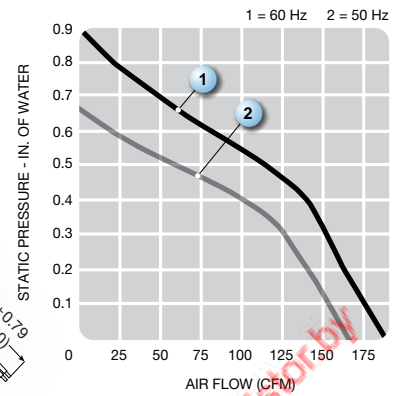
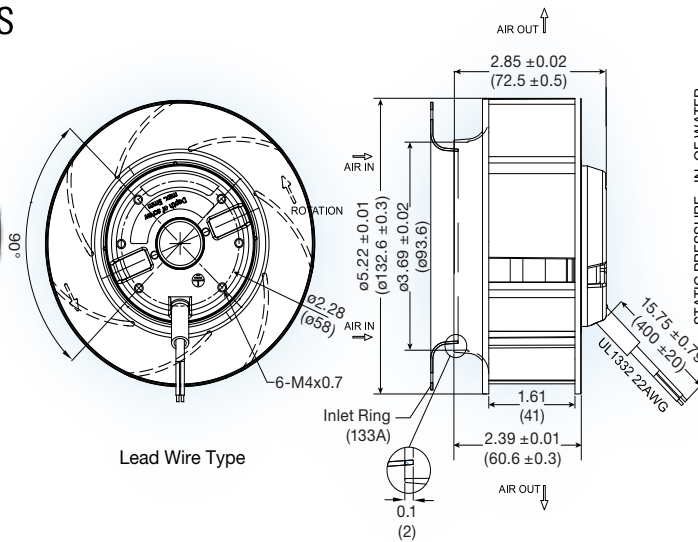
Air Flow: side exhaust blower

Connection: 22 AWG lead wires

Protection: thermal

Model No.	Rated Voltage V	Freq. HZ	Input Power W	Rated Cur. A	Locked Cur. A	Speed RPM	Air Volume		Max. Static Pressure (H ₂ O)		Sound Noise dBa	Weight kg
							M ³ /Min.	CFM	MM	INCH		
UF160DPB12-H1S2A	115	50	50	0.70	0.94	2,700	3.3	118	32.5	1.3	63	1.73
		60	52	0.60	0.80	2,900	3.6	126	45.0	1.8	65	1.73
UF160DPB23-H1S2A	230	50	50	0.40	0.46	2,700	3.3	118	32.5	1.3	63	1.73
		60	53	0.30	0.40	2,900	3.6	126	45.0	1.8	65	1.73

UF133(72) series

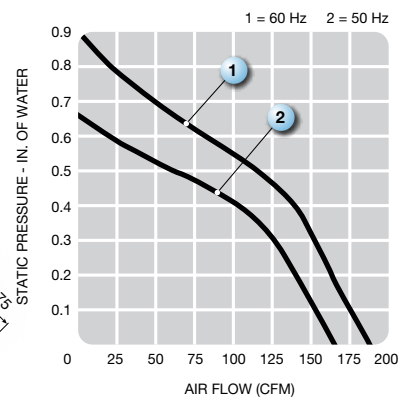
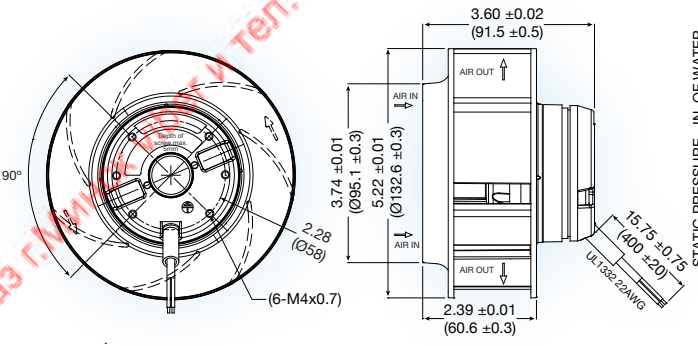


(133 dia. x 72.5 mm)
5.22 dia. x 2.85 inches

Operating voltage: 115 or 230 VAC
Construction: aluminum die cast motor base; UL94V-0 reinforced nylon impeller
Bearing option: ball bearing
Motor: shaded pole
Air Flow: centrifugal
Connection: 22 AWG lead wire

Model No.	Rated Voltage V	Freq. HZ	Input Power W	Rated Cur. A	Locked Cur. A	Speed RPM	Air Volume		Max. Static Pressure (H ₂ O)		Sound Noise dba	Weight kg
							M ³ /Min.	CFM	MM	INCH		
UF133(72)APA12-H1S2A	115	50	42	0.50	0.83	2,780	4.66	165	16.6	0.65	50	0.9
	115	60	41	0.43	0.72	3,200	5.33	188	22.4	0.88	60	0.9
UF133(72)APA23-H1S2A	230	50	40	0.24	0.39	2,780	4.66	165	16.6	0.65	50	0.9
	230	60	39	0.21	0.34	3,200	5.33	188	22.4	0.88	60	0.9

UF133(91)APA series

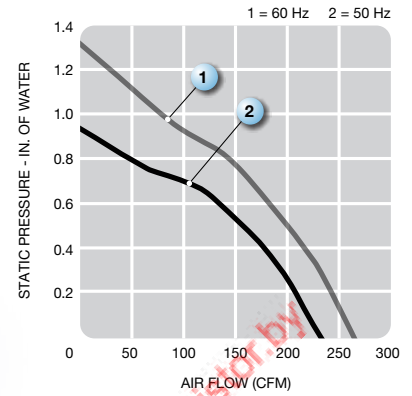
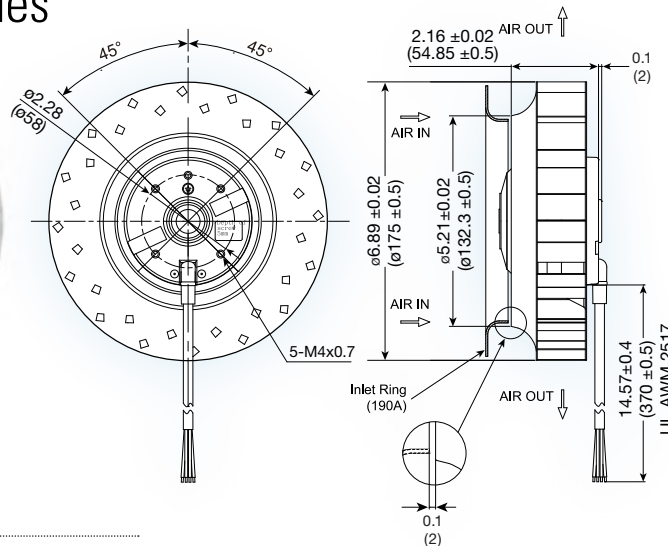


(133 dia. x 91.5 mm)
5.22 dia. x 3.60 inches

Features: backward curved impeller
Operating voltage: 115 or 230 VAC
Construction: aluminum die cast motor base; UL94V-0 reinforced nylon impeller
Bearing option: ball bearing
Motor: shaded pole
Air Flow: centrifugal
Connection: 22 AWG lead wires
Protection: thermal

Model No.	Rated Voltage V	Freq. HZ	Input Power W	Rated Cur. A	Locked Cur. A	Speed RPM	Air Volume		Max. Static Pressure (H ₂ O)		Sound Noise dba	Weight kg
							M ³ /Min.	CFM	MM	INCH		
UF133(91)APA12-H1S2A	115	50	42	0.50	0.83	2,780	4.66	165	16.6	0.65	50	0.9
	115	60	41	0.43	0.72	3,200	5.33	188	22.4	0.88	60	0.9
UF133(91)APA23-H1S2A	230	50	40	0.24	0.39	2,780	4.66	165	16.6	0.65	50	0.9
	230	60	39	0.21	0.34	3,200	5.33	188	22.4	0.88	60	0.9

UF175AMA series



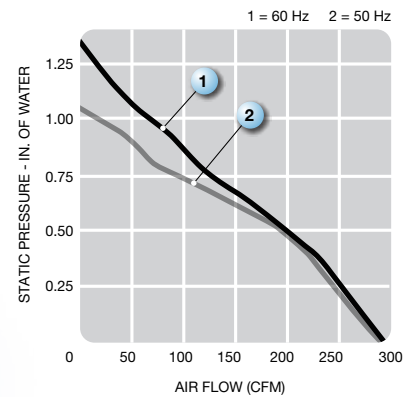
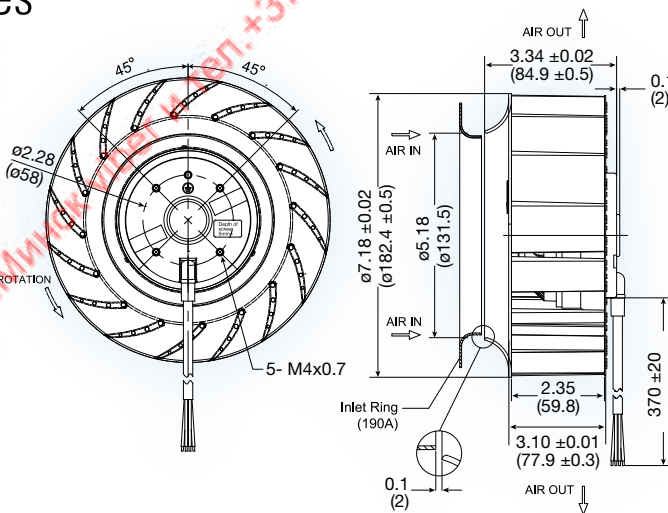
(175 dia. x 55 mm)
6.89 dia. x 2.16 inches

- Features:** backward curved impeller
- Operating voltage:** 115 or 230 VAC
- Construction:** aluminum die cast motor base; steel impeller
- Bearing option:** ball bearing
- Motor:** permanent split capacitor required capacitor included
- Air Flow:** centrifugal
- Connection:** 22 AWG lead wires
- Protection:** thermal

Model No.	Rated Voltage V	Freq. HZ	Input Power W	Rated Cur. A	Locked Cur. A	Speed RPM	Air Volume		Max. Static Pressure (H ₂ O)		Sound Noise dbA	Weight kg
							M ³ /Min.	CFM	MM	INCH		
UF175AMA11-H1C2A	115	50	60	0.55	0.82	2,550	6.5	230	23	0.9	66	1.3
	115	60	66	0.55	0.84	2,900	7.5	265	33	1.3	70	1.3
UF175AMA23-H1C2A	230	50	60	0.27	0.41	2,550	6.5	230	23	0.9	66	1.3
	230	60	66	0.28	0.42	2,900	7.5	265	33	1.3	70	1.3

TOC

UF180APA series

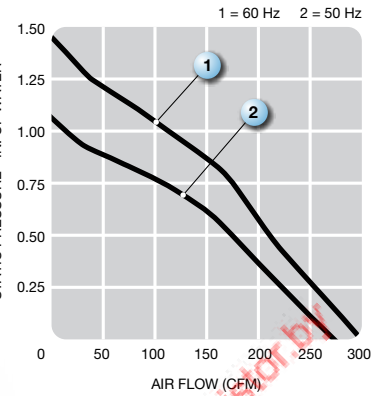
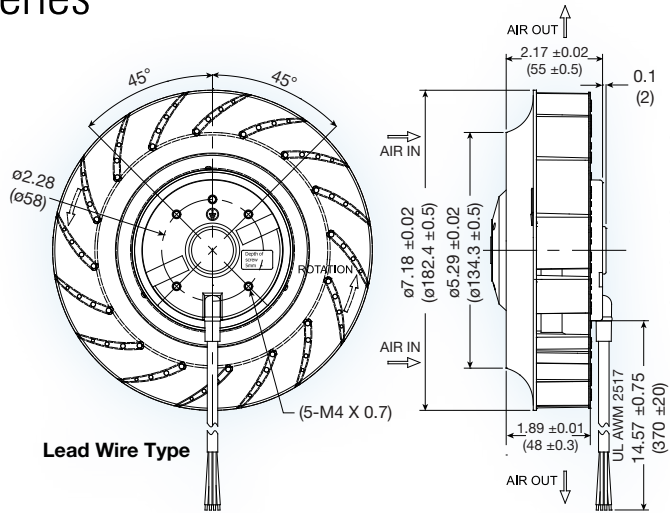


(182.4 dia. x 84.9 mm)
7.18 dia. x 3.34 inches

- Features:** backward curved impeller
- Operating voltage:** 115 or 230 VAC
- Operating temp.:** -40° ~ 50°C
- Construction:** aluminum die cast motor base; UL94V-0 reinforced nylon impeller
- Bearing option:** ball bearing
- Motor:** permanent split capacitor required capacitor included
- Air Flow:** centrifugal
- Connection:** 22 AWG lead wires
- Protection:** thermal

Model No.	Rated Voltage V	Freq. HZ	Input Power W	Rated Cur. A	Locked Cur. A	Speed RPM	Air Volume		Max. Static Pressure (H ₂ O)		Sound Noise dbA	Weight kg
							M ³ /Min.	CFM	MM	INCH		
UF180APA11-H1C2A	115	50	70	0.62	0.86	2,300	8.5	300	25	1.0	63	1.4
	115	60	83	0.75	0.93	2,400	8.5	300	34	1.3	63	1.4
UF180APA23-H1C2A	230	50	70	0.30	0.41	2,300	8.5	300	25	1.0	63	1.4
	230	60	81	0.35	0.44	2,400	8.5	300	34	1.3	63	1.4

UF180(55)APA series



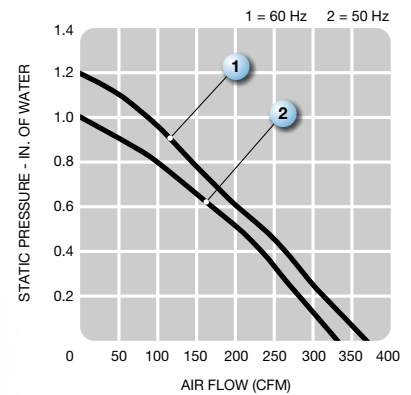
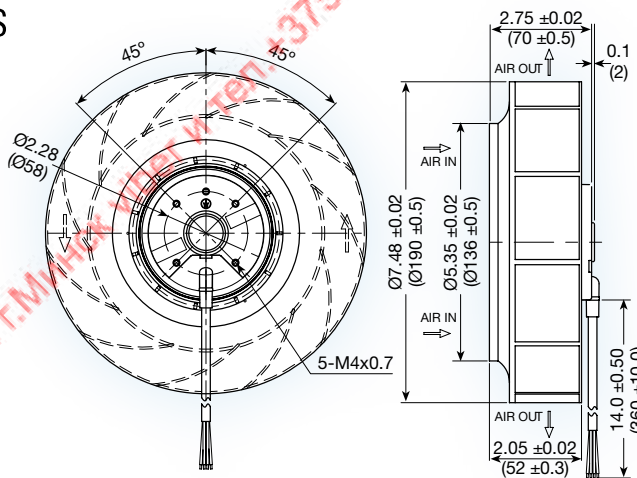
(182 dia. x 55 mm)
 7.18 dia. x 2.17 inches

Lead Wire Type

- Features:** backward curved impeller
- Operating voltage:** 115 or 230 VAC
- Construction:** aluminum die cast motor base; UL94V-0 reinforced nylon impeller
- Bearing option:** ball bearing
- Motor:** permanent split capacitor required capacitor included
- Air Flow:** centrifugal
- Connection:** 22 AWG lead wires
- Protection:** thermal

Model No.	Rated Voltage V	Freq. HZ	Input Power W	Rated Cur. A	Locked Cur. A	Speed RPM	Air Volume		Max. Static Pressure (H ₂ O)		Sound Noise dbA	Weight kg
							M ³ /Min.	CFM	MM	INCH		
UF180(55)APA12-H1C2A	115	50	63	0.60	0.92	2,550	7.5	265	26	1.0	64	1.2
	115	60	78	0.70	0.95	2,800	8.3	290	36	1.4	67	1.2
UF180(55)APA23-H1C2A	230	50	63	0.30	0.46	2,550	7.5	265	26	1.0	64	1.2
	230	60	78	0.34	0.48	2,800	8.3	290	36	1.4	67	1.2

UF190APA series

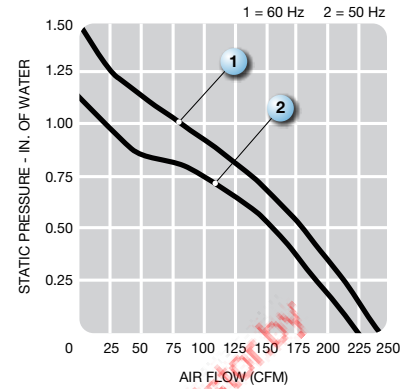
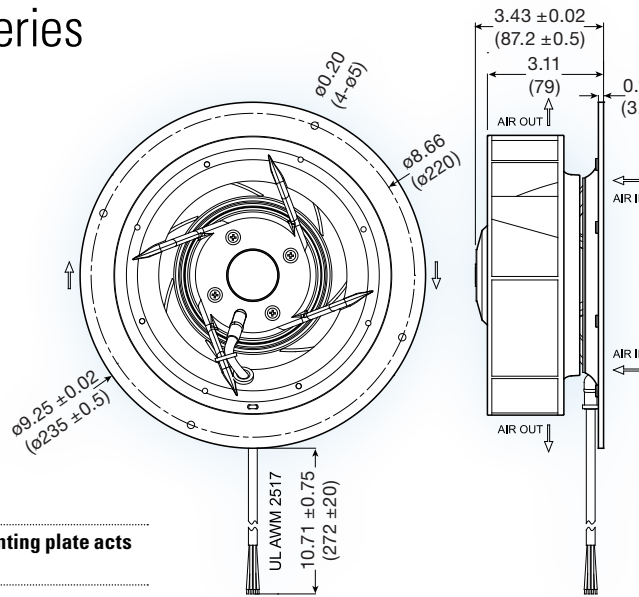


(190 dia. x 70 mm)
 7.48 dia. x 2.75 inches

- Features:** backward curved impeller
- Operating voltage:** 115 or 230 VAC
- Operating temp.:** -40° ~ 50°C
- Construction:** aluminum die cast motor base; UL94V-0 reinforced nylon impeller
- Bearing option:** ball bearing
- Motor:** permanent split capacitor required capacitor included
- Air Flow:** centrifugal
- Connection:** 22 AWG lead wires
- Protection:** thermal

Model No.	Rated Voltage V	Freq. HZ	Input Power W	Rated Cur. A	Locked Cur. A	Speed RPM	Air Volume		Max. Static Pressure (H ₂ O)		Sound Noise dbA	Weight kg
							M ³ /Min.	CFM	MM	INCH		
UF190APA12-H1C2A	115	50	55	0.45	0.92	2,500	9.5	335	25	1.0	60	1.2
	115	60	65	0.54	0.91	2,700	10.4	370	30	1.2	63	1.2
UF190APA23-H1C2A	230	50	57	0.23	0.43	2,500	9.5	335	25	1.0	60	1.2
	230	60	72	0.30	0.45	2,700	10.4	370	30	1.2	63	1.2

UF190APA-F series

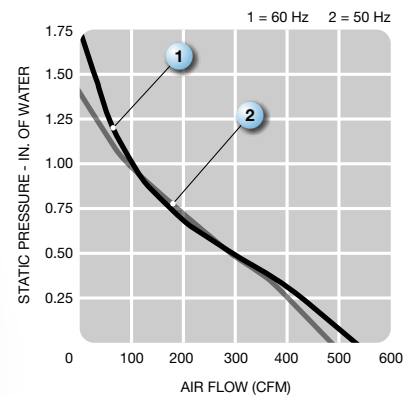
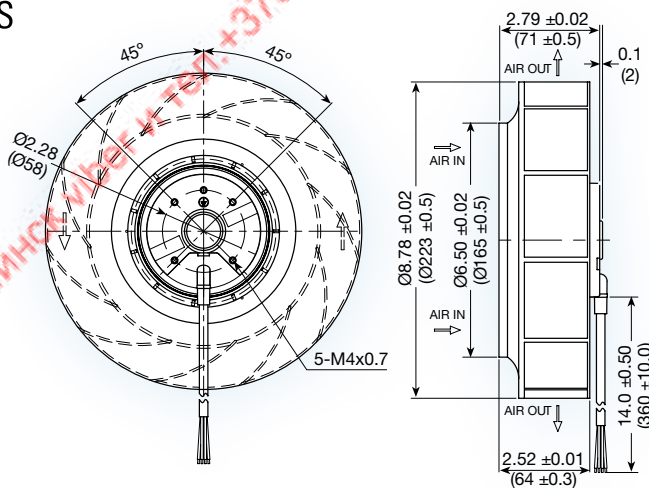


(235 dia. x 87.2 mm)
9.25 dia. x 3.43 inches

- Features:** integrated mounting plate acts as inlet ring
- Operating voltage:** 115 or 230 VAC
- Operating temp.:** -40° ~ 50°C
- Construction:** aluminum die cast motor base; UL94V-0 reinforced nylon impeller
- Bearing option:** ball bearing
- Motor:** permanent split capacitor required capacitor included
- Air Flow:** centrifugal
- Connection:** 22 AWG lead wires
- Protection:** thermal

Model No.	Rated Voltage V	Freq. HZ	Input Power W	Rated Cur. A	Locked Cur. A	Speed RPM	Air Volume		Max. Static Pressure (H ₂ O)		Sound Noise dbA	Weight kg
							M ³ /Min.	CFM	MM	INCH		
UF190APA12-H2C2F	115	50	55	0.45	0.92	2,500	6.5	230	29	1.1	60	1.5
	115	60	65	0.54	0.91	2,700	7.0	247	38	1.5	63	1.5
UF190APA23-H2C2F	230	50	57	0.23	0.43	2,500	6.5	230	29	1.1	60	1.5
	230	60	72	0.30	0.45	2,700	7.0	247	38	1.5	63	1.5

UF220APA series



(223 dia. x 71 mm)
8.78 dia. x 2.79 inches

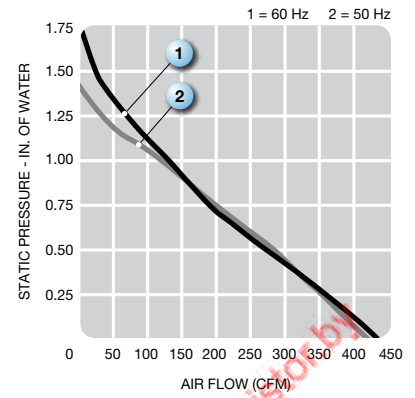
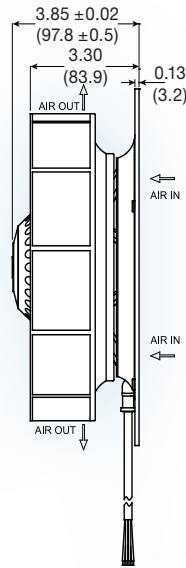
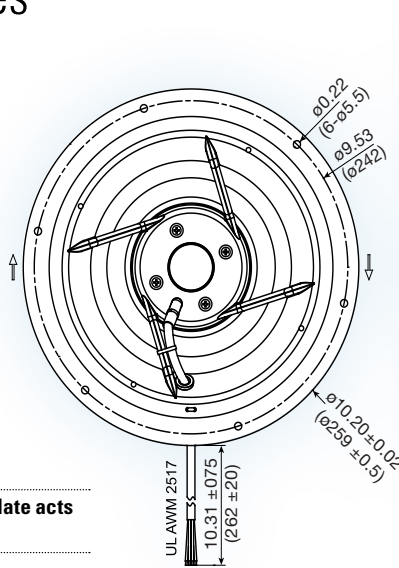
- Features:** backward curved impeller
- Operating voltage:** 115 or 230 VAC
- Operating temp.:** -40° ~ 50°C
- Construction:** aluminum die cast motor base; UL94V-0 reinforced nylon impeller
- Bearing option:** ball bearing
- Motor:** permanent split capacitor required capacitor included
- Air Flow:** centrifugal
- Connection:** 22 AWG lead wires
- Protection:** thermal

Model No.	Rated Voltage V	Freq. HZ	Input Power W	Rated Cur. A	Locked Cur. A	Speed RPM	Air Volume		Max. Static Pressure (H ₂ O)		Sound Noise dbA	Weight kg
							M ³ /Min.	CFM	MM	INCH		
UF220APA12-H2C2A	115	50	90	0.63	0.88	2,500	14	500	35	1.4	65	1.5
	115	60	117	0.80	0.93	2,650	15	530	38	1.7	70	1.5
UF220APA23-H2C2A	230	50	90	0.35	0.47	2,500	14	500	35	1.4	65	1.5
	230	60	117	0.39	0.49	2,650	15	530	38	1.7	70	1.5

UF220APA-F series



(259 dia. x 97.8 mm)
10.20 dia. x 3.85 inches



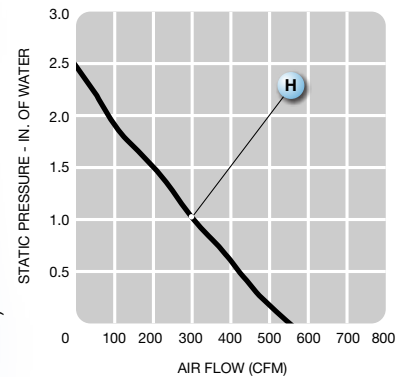
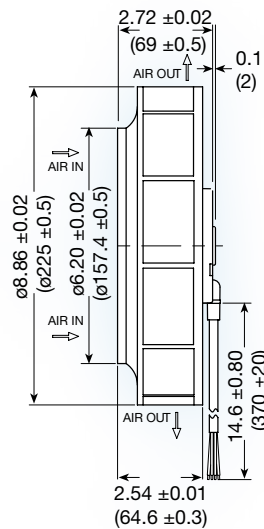
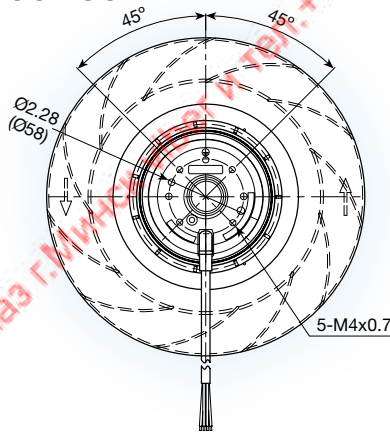
- Features:** integrated mounting plate acts as inlet ring
- Operating voltage:** 115 or 230 VAC
- Construction:** aluminum die cast motor base; UL94V-0 reinforced nylon impeller
- Bearing option:** ball bearing
- Motor:** permanent split capacitor required capacitor included
- Air Flow:** centrifugal
- Connection:** 22 AWG lead wires
- Protection:** thermal

Model No.	Rated Voltage V	Freq. HZ	Input Power W	Rated Cur. A	Locked Cur. A	Speed RPM	Air Volume		Max. Static Pressure (H ₂ O)		Sound Noise dbA	Weight kg
							M ³ /Min.	CFM	MM	INCH		
UF220APA12-H2C2F	115	50	90	0.63	0.88	2,500	12.0	424	36	1.4	64	1.9
	115	60	117	0.80	0.93	2,650	12.3	434	45	1.7	65	1.9
UF220APA23-H2C2F	230	50	90	0.35	0.47	2,500	12.0	424	36	1.4	64	1.9
	230	60	117	0.39	0.49	2,650	12.3	434	45	1.7	65	1.9

UF225(69)APA series



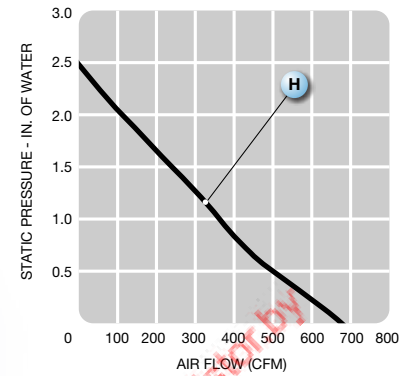
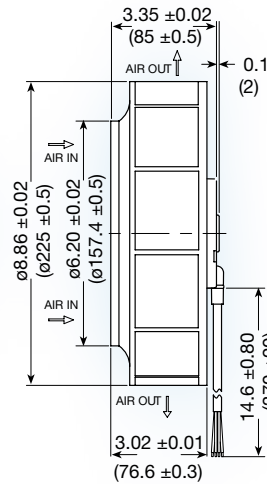
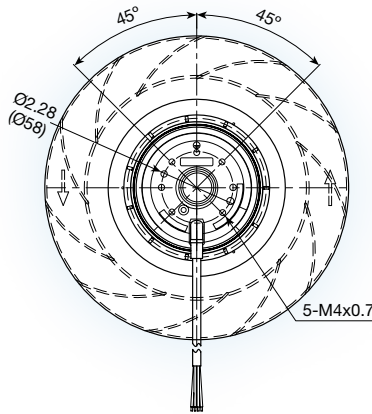
(225 dia. x 69 mm)
8.86 dia. x 2.72 inches



- Features:** backward curved impeller
- Operating voltage:** 115 or 230 VAC
- Operating temp.:** -40° ~ 50°C
- Construction:** aluminum die cast motor base; UL94V-0 reinforced nylon impeller
- Bearing option:** ball bearing
- Motor:** permanent split capacitor required capacitor included
- Air Flow:** centrifugal
- Connection:** AWM 2517 lead wires
- Protection:** thermal

Model No.	Rated Voltage V	Freq. HZ	Input Power W	Rated Cur. A	Locked Cur. A	Speed RPM	Air Volume		Max. Static Pressure (H ₂ O)		Sound Noise dbA	Weight kg
							M ³ /Min.	CFM	MM	INCH		
UF225(69)APA12-H1C2A	115	60	125	1.12	2.30	2,950	15.6	550	58	2.3	72	2.3
UF225(69)APA23-H1C2A	230	60	125	0.56	1.15	2,950	15.6	550	58	2.3	72	2.3

UF225(85)APA series



(225 dia. x 85 mm)
8.86 dia. x 3.35 inches

Features: backward curved impeller

Operating voltage: 115 or 230 VAC

Operating temp. -40° ~ 50°C

Construction: aluminum die cast motor base; UL94V-0 reinforced nylon impeller

Bearing option: ball bearing

Motor: permanent split capacitor required capacitor included

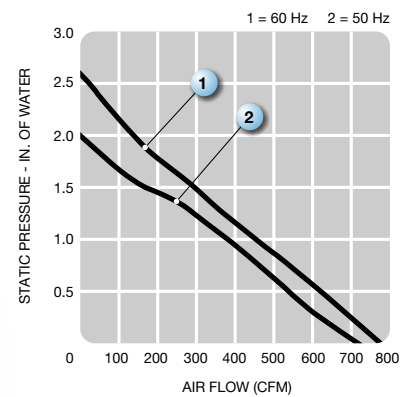
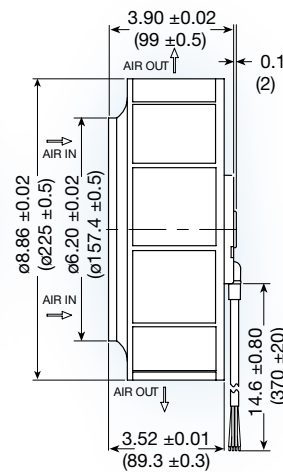
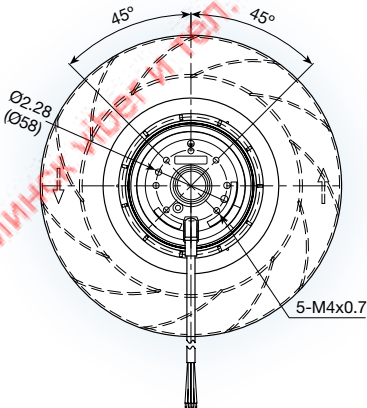
Air Flow: centrifugal

Connection: AWM 2517 lead wires

Protection: thermal

Model No.	Rated Voltage V	Freq. HZ	Input Power W	Rated Cur. A	Locked Cur. A	Speed RPM	Air Volume		Max. Static Pressure (H ₂ O)		Sound Noise dBa	Weight kg
							M ³ /Min.	CFM	MM	INCH		
UF225(85)APA12-H1C2A	115	60	135	1.20	2.30	3,000	19.2	680	64	2.5	75	2.3
UF225(85)APA23-H1C2A	230	60	135	0.60	1.15	3,000	19.2	680	64	2.5	75	2.3

UF225(99)APA series



(225 dia. x 99 mm)
8.86 dia. x 3.90 inches

Features: backward curved impeller

Operating voltage: 115 or 230 VAC

Operating temp. -40° ~ 50°C

Construction: aluminum die cast motor base; UL94V-0 reinforced nylon impeller

Bearing option: ball bearing

Motor: permanent split capacitor required capacitor included

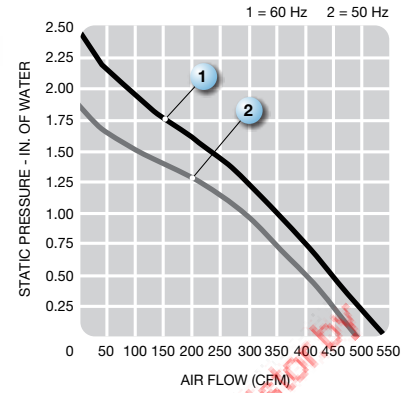
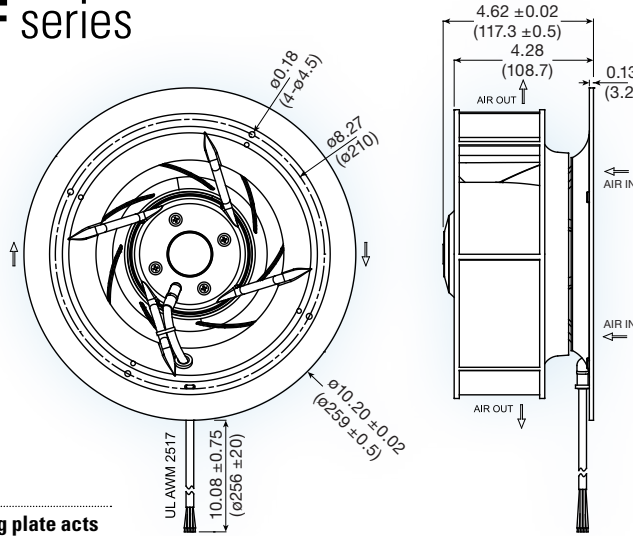
Air Flow: centrifugal

Connection: AWM 2517 lead wires

Protection: thermal

Model No.	Rated Voltage V	Freq. HZ	Input Power W	Rated Cur. A	Locked Cur. A	Speed RPM	Air Volume		Max. Static Pressure (H ₂ O)		Sound Noise dBa	Weight kg
							M ³ /Min.	CFM	MM	INCH		
UF225APA(99)12-H1C2A	115	50	128	1.16	2.22	2,650	20	700	51	2.0	69	2.3
	115	60	160	1.41	2.30	2,950	22	770	66	2.6	71	2.3
UF225APA(99)23-H1C2A	230	50	126	0.57	1.14	2,650	20	700	51	2.0	69	2.3
	230	60	157	0.70	1.15	2,950	22	770	66	2.6	71	2.3

UF225(99)APA-F series

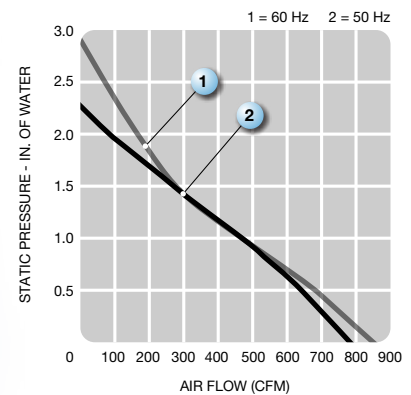
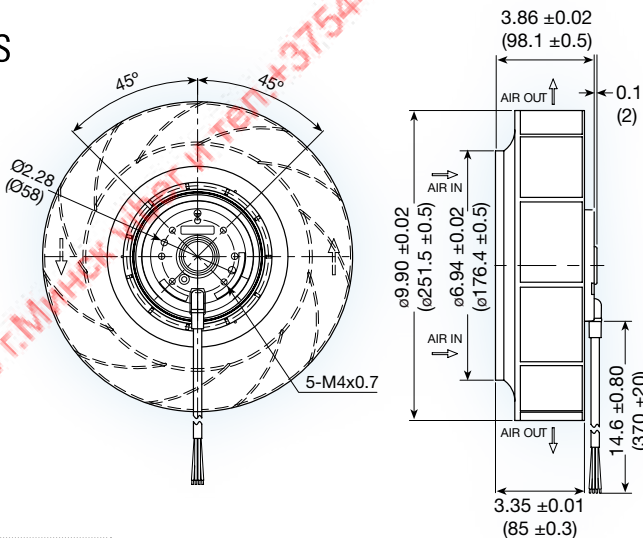


(259 dia. x 117 mm)
10.20 dia. x 4.62 inches

- Features:** integrated mounting plate acts as inlet ring
- Operating voltage:** 115 or 230 VAC
- Operating temp.:** -40° ~ 50°C
- Construction:** aluminum die cast motor base; UL94V-0 reinforced nylon impeller
- Bearing option:** ball bearing
- Motor:** permanent split capacitor required capacitor included
- Air Flow:** centrifugal
- Connection:** AWM 2517 lead wires
- Protection:** thermal

Model No.	Rated Voltage V	Freq. HZ	Input Power W	Rated Cur. A	Locked Cur. A	Speed RPM	Air Volume		Max. Static Pressure (H ₂ O)		Sound Noise dbA	Weight kg
							M ³ /Min.	CFM	MM	INCH		
UF225APA(99)12-H1C2F	115	50	128	1.16	2.22	2,650	14.0	495	48	1.9	69	2.6
	115	60	160	1.41	2.30	2,950	15.5	547	63	2.6	71	2.6
UF225APA(99)23-H1C2F	230	50	126	0.57	1.14	2,650	14.0	495	48	1.9	69	2.6
	230	60	157	0.70	1.15	2,950	15.5	547	63	2.6	71	2.6

UF250APA series

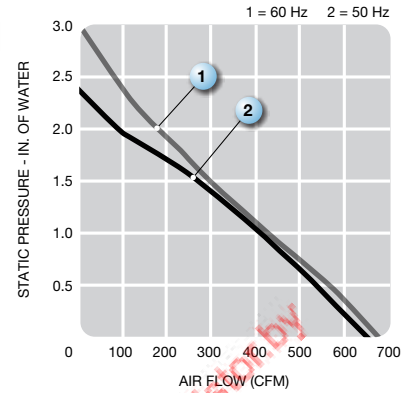
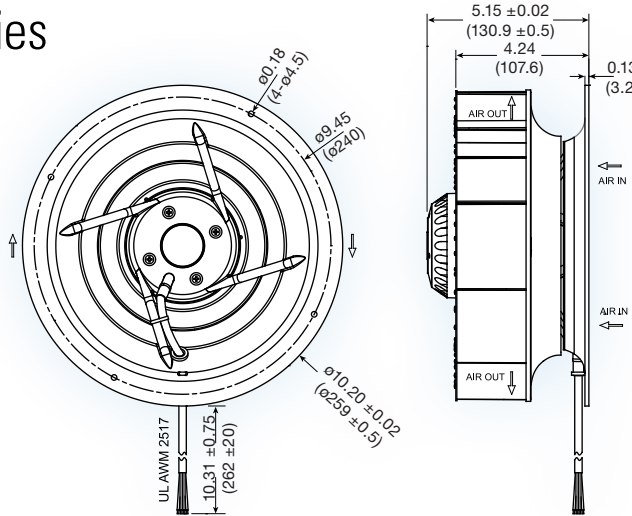


(251 dia. x 98 mm)
9.90 dia. x 3.86 inches

- Features:** backward curved impeller
- Operating voltage:** 115 or 230 VAC
- Operating temp.:** -40° ~ 50°C
- Construction:** aluminum die cast motor base; UL94V-0 reinforced nylon impeller
- Bearing option:** ball bearing
- Motor:** permanent split capacitor required capacitor included
- Air Flow:** centrifugal
- Connection:** AWM 2517 lead wires
- Protection:** thermal

Model No.	Rated Voltage V	Freq. HZ	Input Power W	Rated Cur. A	Locked Cur. A	Speed RPM	Air Volume		Max. Static Pressure (H ₂ O)		Sound Noise dbA	Weight kg
							M ³ /Min.	CFM	MM	INCH		
UF250APA12-H1C2A	115	50	170	1.50	3.10	2,600	22	770	56	2.2	75	3.1
	115	60	240	2.10	3.00	2,700	24	850	74	2.9	76	3.1
UF250APA12-H1C2A	230	50	170	0.77	1.57	2,600	22	770	56	2.2	75	3.1
	230	60	240	1.00	1.52	2,700	24	850	74	2.9	76	3.1

UF250APA-F series

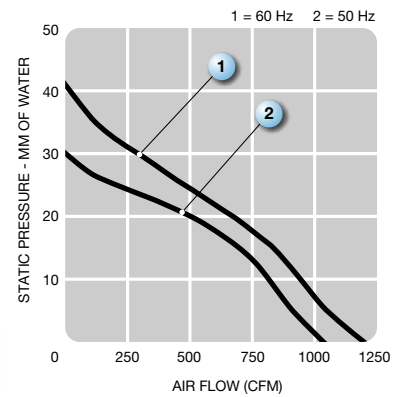
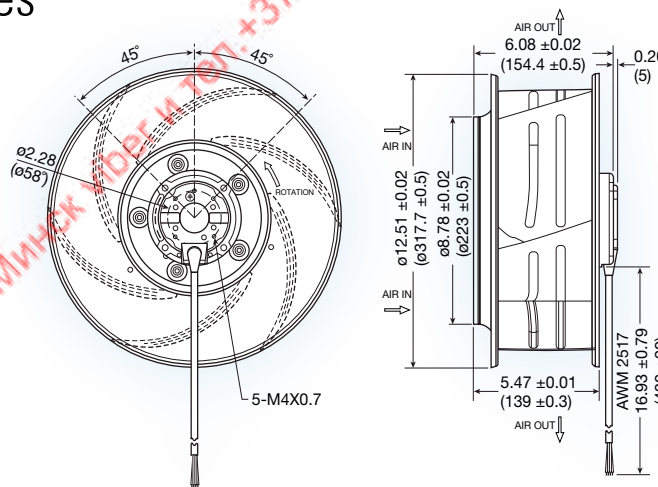


(259 dia. x 131 mm)
10.20 dia. x 5.15 inches

- Features:** integrated mounting plate acts as inlet ring
- Operating voltage: 115 or 230 VAC
- Operating temp. -40° ~ 50°C
- Construction: aluminum die cast motor base; UL94V-0 reinforced nylon impeller
- Bearing option: ball bearing
- Motor: permanent split capacitor required capacitor included
- Air Flow: centrifugal
- Connection: AWM 2517 lead wires
- Protection: thermal

Model No.	Rated Voltage V	Freq. HZ	Input Power W	Rated Cur. A	Locked Cur. A	Speed RPM	Air Volume		Max. Static Pressure (H ₂ O)		Sound Noise dbA	Weight kg
							M ³ /Min.	CFM	MM	INCH		
UF250APA12-H1C2F	115	50	170	1.50	3.10	2,600	18.5	653	61	2.4	71	3.3
	115	60	240	2.10	3.00	2,700	19.3	681	78	3.1	72	3.3
UF250APA12-H1C2F	230	50	170	0.77	1.57	2,600	18.5	653	56	2.4	71	3.3
	230	60	240	1.00	1.52	2,700	19.3	681	78	3.1	72	3.3

UF318AAA series

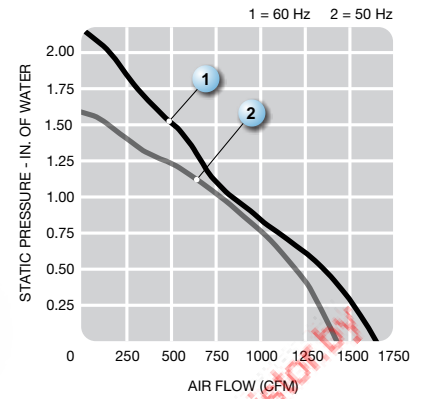
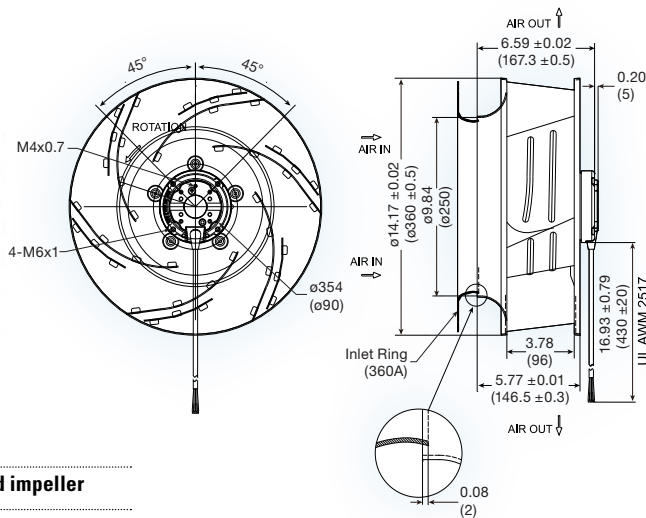


(318 dia. x 154 mm)
12.5 dia. x 6.08 inches

- Features:** backward curved impeller
- Operating voltage: 115 or 230 VAC
- Construction: aluminum die cast motor base, aluminum impeller
- Bearing option: ball bearing
- Motor: permanent split capacitor required capacitor included
- Air Flow: centrifugal
- Connection: AWM 2517 lead wires
- Protection: thermal

Model No.	Rated Voltage V	Freq. HZ	Input Power W	Rated Cur. A	Locked Cur. A	Speed RPM	Air Volume		Max. Static Pressure (H ₂ O)		Sound Noise dbA	Weight kg
							M ³ /Min.	CFM	MM	INCH		
UF318AAA12-H1C4A	115	50	115	1.00	2.60	1,390	28.8	1015	30	1.2	63	3.8
	115	60	160	1.43	2.40	1,580	33.0	1165	40	1.6	66	3.8
UF318AAA23-H1C4A	230	50	115	0.56	1.40	1,390	28.8	1015	30	1.2	63	3.8
	230	60	160	0.70	1.30	1,580	33.0	1165	40	1.6	66	3.8

UF360AAA series

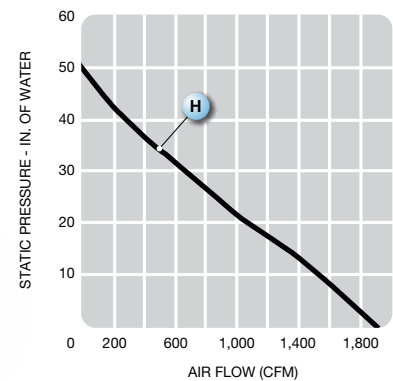
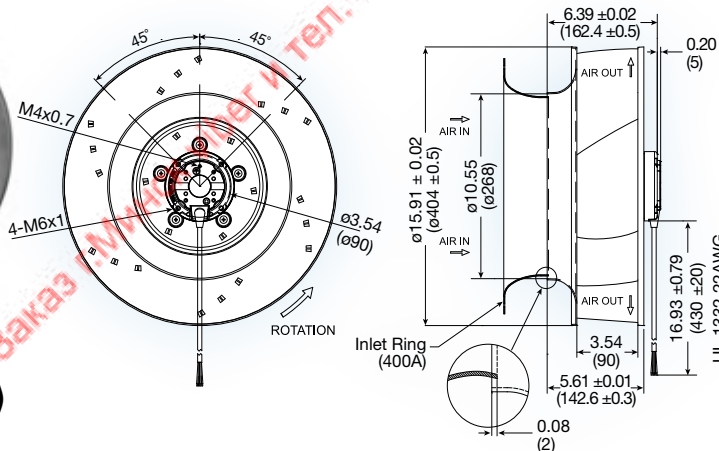


(360 dia. x 167.3 mm)
14.17 dia. x 6.59 inches

- Features:** backward curved impeller
- Operating voltage:** 115 or 230 VAC
- Construction:** aluminum die cast motor base, aluminum impeller
- Bearing option:** ball bearing
- Motor:** permanent split capacitor required capacitor included
- Air Flow:** centrifugal
- Connection:** AWM 2517 lead wires

Model No.	Rated Voltage V	Freq. HZ	Input Power W	Rated Cur. A	Locked Cur. A	Speed RPM	Air Volume		Max. Static Pressure (H ₂ O)		Sound Noise dbA	Weight kg
							M ³ /Min.	CFM	MM	INCH		
UF360AAA12-H1C4A	115	50	190	1.70	4.24	1,400	40.5	1430	40	1.6	66	5.1
	115	60	270	2.26	4.00	1,600	46.5	1645	55	2.2	70	5.1
UF360AAA23-H1C4A	230	50	190	0.85	2.12	1,400	40.5	1430	40	1.6	66	5.1
	230	60	265	1.13	2.00	1,600	46.5	1645	55	2.2	70	5.1

UF400AAA series



(400 dia. x 162.4 mm)
15.75 dia. x 6.39 inches

- Features:** backward curved impeller
- Operating voltage:** 230 VAC
- Operating temp.:** -20° ~ 50°C
- Construction:** aluminum die cast motor base, aluminum impeller
- Bearing option:** ball bearing
- Motor:** permanent split capacitor required capacitor included
- Air Flow:** centrifugal
- Connection:** AWM 2517 lead wires
- Protection:** thermal

Model No.	Rated Voltage V	Freq. HZ	Input Power W	Rated Cur. A	Locked Cur. A	Speed RPM	Air Volume		Max. Static Pressure (H ₂ O)		Sound Noise dbA	Weight kg
							M ³ /Min.	CFM	MM	INCH		
UF400AAA23-H1C4A	230	50	287	1.26	1.70	1,250	53.8	1900	136.7	5.38	73	5.45

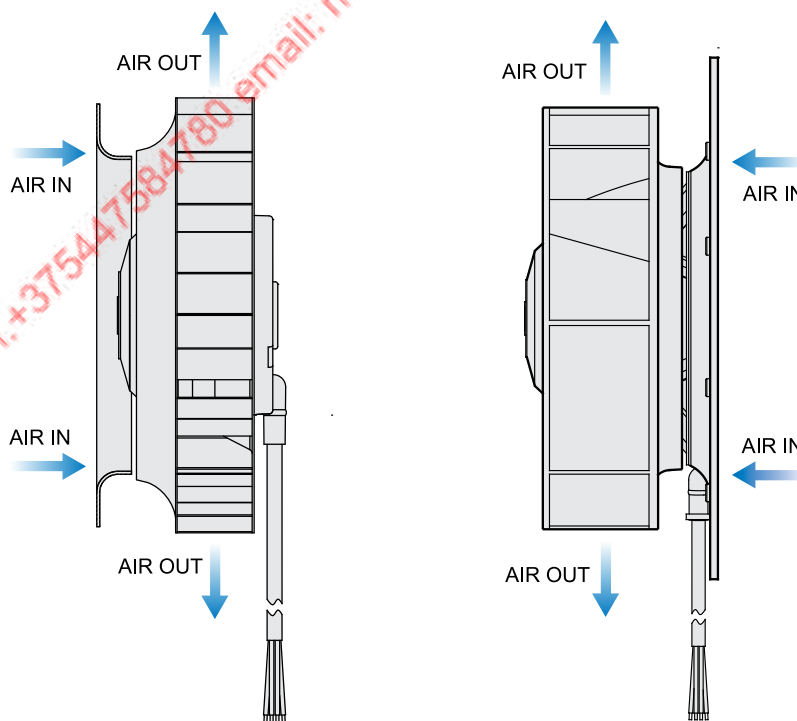
AC Motorized Impeller General Specifications*

- Aluminum die cast motor base
- Nylon or metal impeller
- High precision chrome steel ball bearings
- 115VAC, 230VAC or 115/230VAC dual voltage
- Thermal protection
- Class B motor insulation (unless otherwise noted)
- Operating temperature range: -20 ~ 50 degrees C (unless otherwise noted)
- Dielectric strength: AC 1500V (50/60Hz) for one minute

* Actual specifications, tolerances and safety agency approvals vary by model. Consult Mechatronics for individual specifications.

AC Motorized Impeller Options

Mechatronics offers the standard motorized impeller package as well as a unique configuration which combines the impeller and inlet ring in one complete package. The integrated inlet ring doubles as a mounting plate.



Standard motorized impeller integration requires an inlet ring to block the exhaust air from re-entering the air intake. For optimal performance, the inlet ring must be mounted to an adjacent surface aligning it with the impeller intake.

Mechatronic's integrated inlet ring option eliminates the need for an additional adjacent surface for an inlet ring. Simply mount the device and power it up. This simplifies integration as well as reduces assembly labor time.

IP54 Filter Kits
Metal Fan Guards
Fan Power Cords

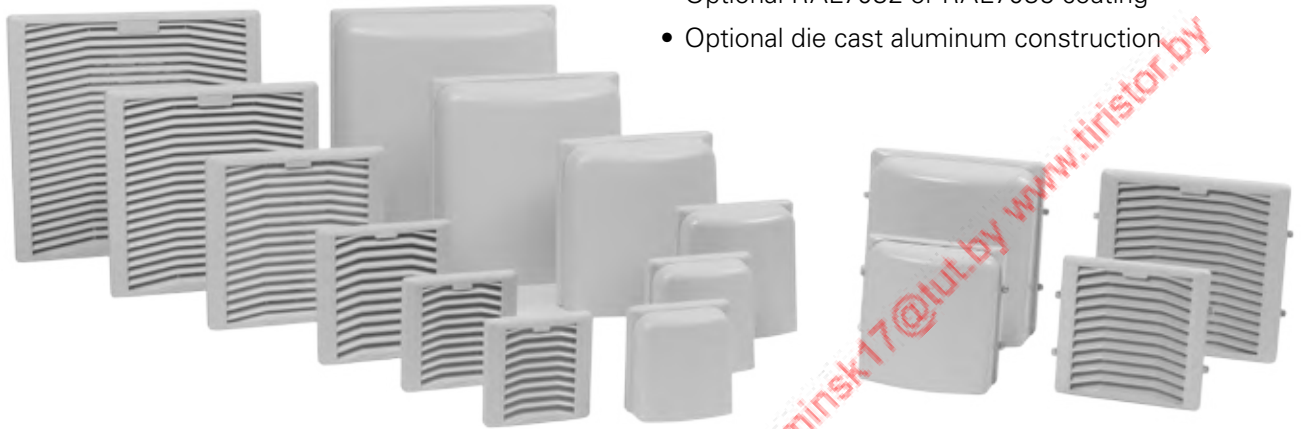
в Беларуси Заказ в Минске тел. +375447584780 email: minsk17@jul.by www.jul.by



IP54 VENTILATING FILTERS

Mechatronics offers ventilating filters ranging in sizes from 105mm – 420mm. Ideal for filtering out unwanted particles and moisture to extend the service life of electronics. These filters are designed to accommodate multiple fan models with varying CFM output.

- Shallow mounting depths aid installation and application design
- Fan can be oriented for intake or exhaust
- All models are made with UV resistant ABS resin and meet UL94V-0 flammability requirements
- IP54 rated
- Optional RAL7032 or RAL7035 coating
- Optional die cast aluminum construction



Hooded style for heavy water exposure

Standard 45 degree angled filter



FILTER FRONT

FILTER BACK

FAN

FINGER GUARD

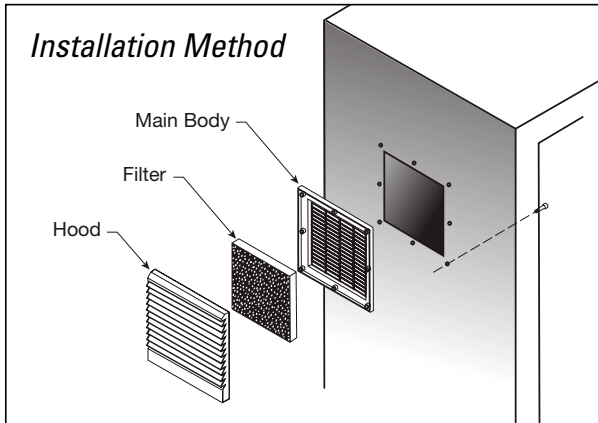


FILTER MEDIA

ТОС

QUALITY ISO 9001:2008 REGISTERED

в Беларуси Заказ г.Минск vibet и тел. +375 29 754 7584 780 email: minsk17@tut.by www.tiristor.by

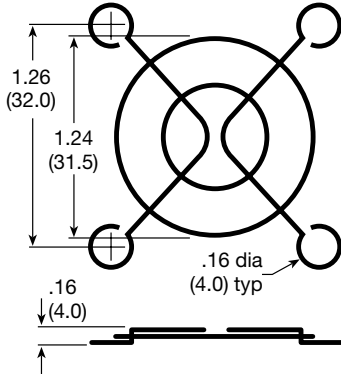


IP54 FILTER KITS

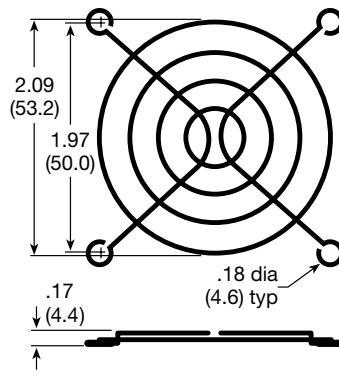
PART NO.	OUTER DIMS	FITS MAX PANEL CUT OUT	COMPATIBLE FAN SERIES
PFG-12	148.5 x 148.5 x 28	122mm x 122mm	UF12B / UF12A / LPC12B / LPC12A / E1225 / G1225 F1238-H / G1238 / MQ1238 / MD1238
PFG-12X3	420 x 180 x 28	392mm x 152mm	UF12B / UF12A / LPC12B / LPC12A / E1225 / G1225 F1238-H / G1238 / MQ1238 / MD1238 / UF15AC UF15PC / UF15KC / UF15KM / UF15KMR / UF15KCR UF17PC / MA1751
PFG-15	204 x 204 x 28	175mm x 175mm	UF12B / UF12A / LPC12B / LPC12A / E1225 / G1225 F1238-H / G1238 / MQ1238 / MD1238 / UF15AC UF15PC / UF15KC / UF15KM / UF15KMR / UF15KCR UF17PC / MA1751
PFG-22	255 x 255 x 28	223mm x 223mm	UF15AC / UF15PC / UF15KC / UF15KCR / UF15KM UF15KMR / LPC15 / UF17PC / MA1751 / UF22
PFG-25	320 x 320 x 28	283mm x 283mm	UF15AC / UF15PC / UF15KC / UF15KCR / UF15KM UF15KMR / LPC15 / UF17PC / MA1751 / UF20 / UF22 UF25GC / UF25GCA / UF25GCR / UF25HC
PFG-80	105 dia x 22.5	90mm Diameter	UF80B / UF80A / LPC80 / G8015-G / G8020 / F8025-H G8032 / MC8038 / MQ8038
PFG-92	210 dia x 22.5	102mm Diameter	UF92B / LPC92 / E9225 / G9225-G / G9232 / MD9232
PFG-80NR	110 x 130 x 50	90mm Diameter	UF80B / UF80A / LPC80 / G8015-G / G8020 / F8025-H G8032 / MC8038 / MQ8038
PFG-92NR	125 x 140 x 50	102mm Diameter	UF92B / LPC92 / E9225 / G9225-G / G9232 / MD9232

Finger Guards

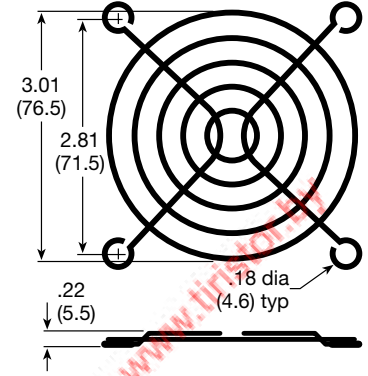
SGR-14 (40 mm Fans)



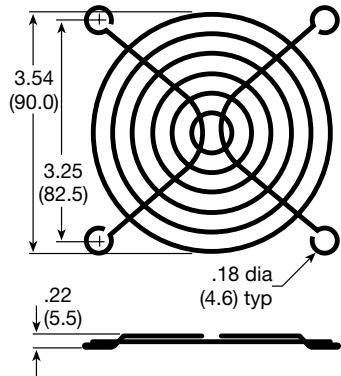
SGR-24 (60 mm Fans)



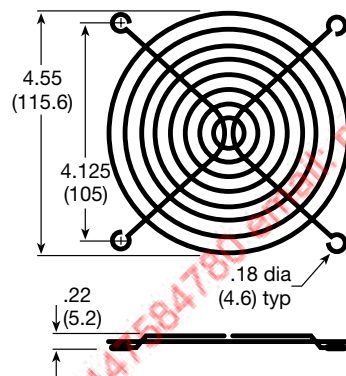
SGR-31 (80 mm Fans)



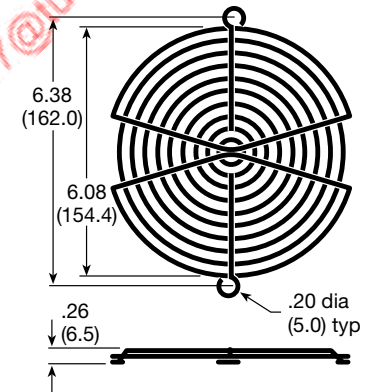
SGR-36 (92 mm Fans)



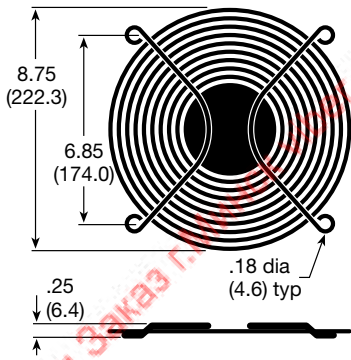
SGR-47 (120 mm Fans)



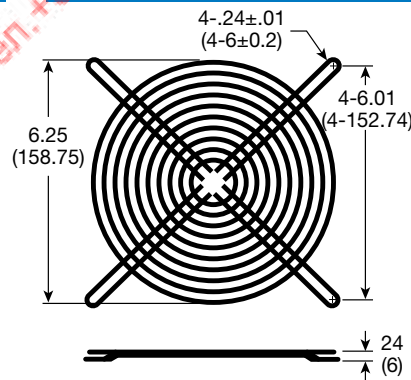
SGR-59 (172 mm Fans)



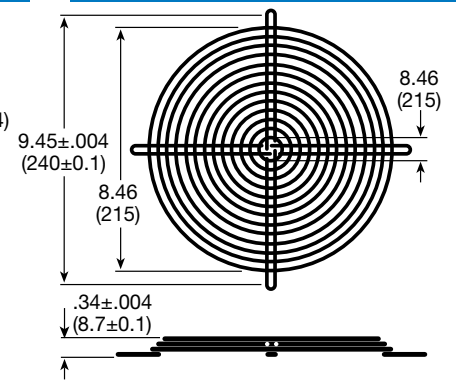
MG-25 (254 mm Fans)



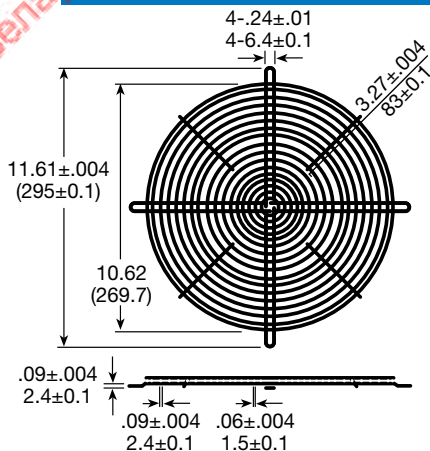
MG-18 (180 mm Fans)



MG-200 (225 mm Fans)



MG-250-17 (280 mm Fans)

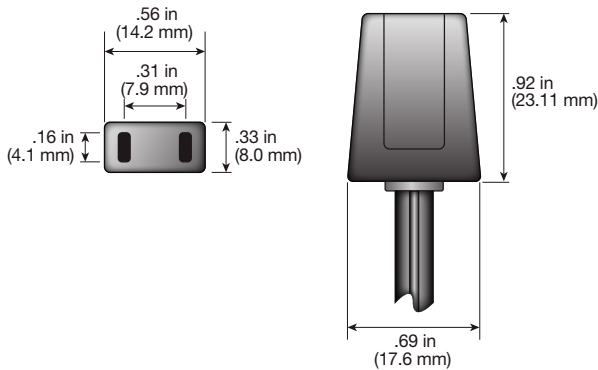


Standard nickel chrome finish (0.0005 in.) or black upon request. Metal fan guards are designed to meet UL spacing requirements. Plastic guards are available in most frame sizes.

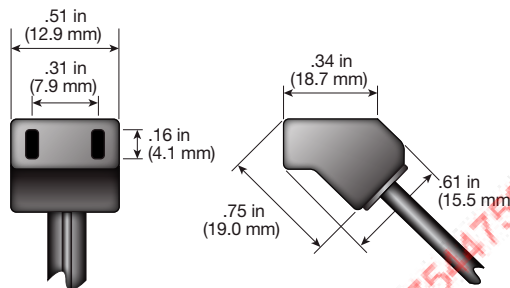
.xxx ±0.005
.xx ±0.02

Mechatronics Fan Cord Specifications

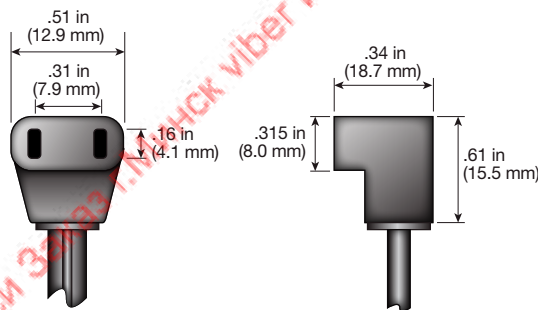
Power cords come in the following four standard plug styles. All power cords come in the following standard lengths, but custom sizes are available. All cords are manufactured using 18 AWG cordage rated at 105°C, 300 volts.



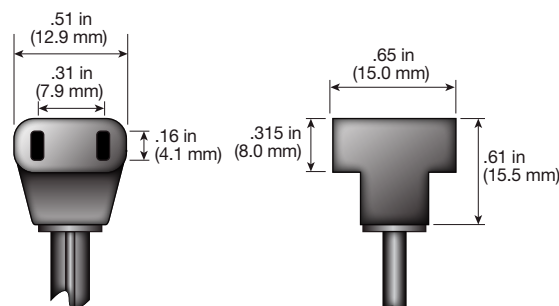
PART NUMBER	CORD LENGTH	
	mm	inches
07100-12	305	12
07100-24	610	24
07100-36	915	36
07100-40	1016	40
07100-50	1270	50
07100-60	1524	60
07100-80	2032	80



PART NUMBER	CORD LENGTH	
	mm	inches
07145-12	305	12
07145-24	610	24
07145-36	915	36
07145-40	1016	40
07145-50	1270	50
07145-60	1524	60
07145-80	2032	80



PART NUMBER	CORD LENGTH	
	mm	inches
07190-12	305	12
07190-24	610	24
07190-36	915	36
07190-40	1016	40
07190-50	1270	50
07190-60	1524	60
07190-80	2032	80



PART NUMBER	CORD LENGTH	
	mm	inches
07199-12	305	12
07199-24	610	24
07199-36	915	36
07199-40	1016	40
07199-50	1270	50
07199-60	1524	60
07199-80	2032	80

MECHATRONICS VALUE ADD

Mechatronics fan design and manufacturing team provides quick turnaround on a wide range of customized assemblies, from connector installation to complex trays. Our extensive North American fan inventory and responsive sales team can help you meet the tightest deadlines.

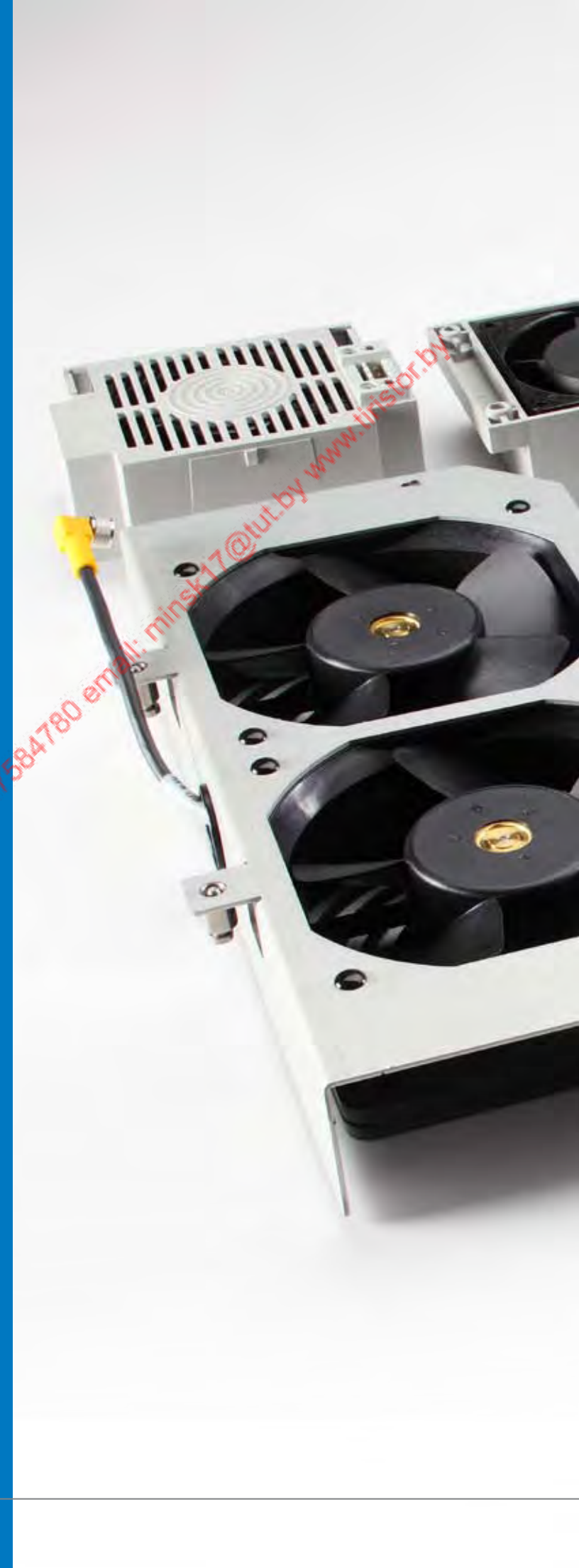
EXPERIENCE Over 100 years of in-house experience amongst our value add team.

FLEXIBLE No two projects are the same, and your options shouldn't be limited. Mechatronics delivers rapid solutions meeting the requirements others won't.

QUALITY Fully documented traceable assembly processes with comprehensive design evaluation, and on-site inspection for every order. Mechatronics is ISO9001:2008 certified.

TIMELY Providing fans and components from inventory, on-site assembly, with sales and technical groups delivering the very best solution.

TOC





FAN VALUE ADD CAPABILITIES

LEAD WIRE MANAGEMENT

- Fan harnesses
- Lead wire sleeving
- Tie wrapping
- Lead wire extension
- Customized connectors
- Contact installation

CUSTOM PACKAGING OPTIONS

- Individual packaging
- Custom labeling
- Partition packaging
- Custom bar coding
- Custom part marking

MECHANICAL CUSTOMIZATION

- Finger guard assembly
- Fan Tray design & assembly
- Threaded inserts
- Tapped mounting holes