



QR код

Leading Supplier Of Choice

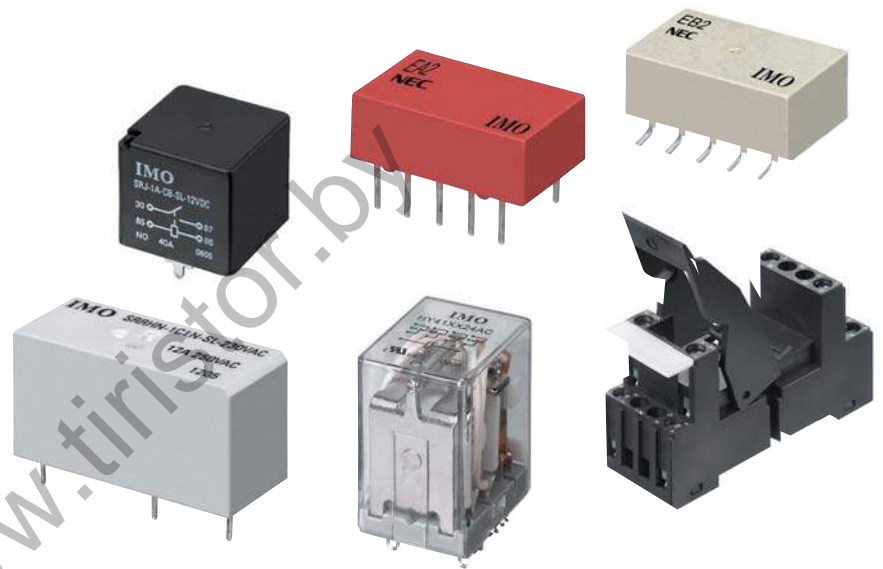
From a single product to a complete application solution, IMO has the product range and knowledge to meet today's most demanding application requirements.

Cam Switches	Jaguar VXG 0.37-710kW
Din Rail Terminals	Jaguar VXR 0.4-15kW
Enclosures	Jaguar CUB 0.4-4kW
Isolators & Switch Fuses	Jaguar V0H 0.75-710kW
MCB, RCCO & RCBO	Jaguar AQUA 0.75-710kW
Motor Circuit Breakers	
Motor Control Gear	Audible devices
Power Supplies	PCB Terminal blocks
Signal Conditioning	Relays - automotive
Sockets	Relays - power
Timers	Relays - signal
	Relays - Industrial
Fieldbus remote I/O	
HMI	DC Isolators
Intelligent Relays	High Isolation Relays
Limit Switches	Junction Boxes
Photoelectric Switches	Terminals
PLCs	Solar Connectors
Proximity Switches	
Safety Limit Switches	
Signal Conditioning	



WWW.TUT.BY

-  Relays
-  Relais
-  Relè
-  Реле



A solution for every **application**



IMO has been manufacturing innovative control components since 1970. The continuous expansion of the company's manufacturing resources and the development of strategic alliances with manufacturing centres of excellence have produced one of the finest ranges of automation and control products available today. The first company in Europe to do so, IMO gives a no-quibble Three Year Warranty on the majority of its electronics based control components and a Five Year Warranty on the full range of Jaguar Drives.



Depuis 1970, IMO a développé des solutions innovantes pour le contrôle de process et de production. L'accroissement continu de ses ressources de fabrication, allié à un développement d'alliances stratégiques avec des centres de fabrication de haute qualité a permis à la société IMO de disposer de produits d'automatisme et de contrôle parmi les meilleurs actuellement. Première société en Europe à le proposer, IMO offre une garantie sans discuter de Trois ans sur la majorité de ses produits d'automatisme et de contrôle équipés d'électronique et de Cinq ans sur l'ensemble de sa gamme de variateurs de vitesse Jaguar.

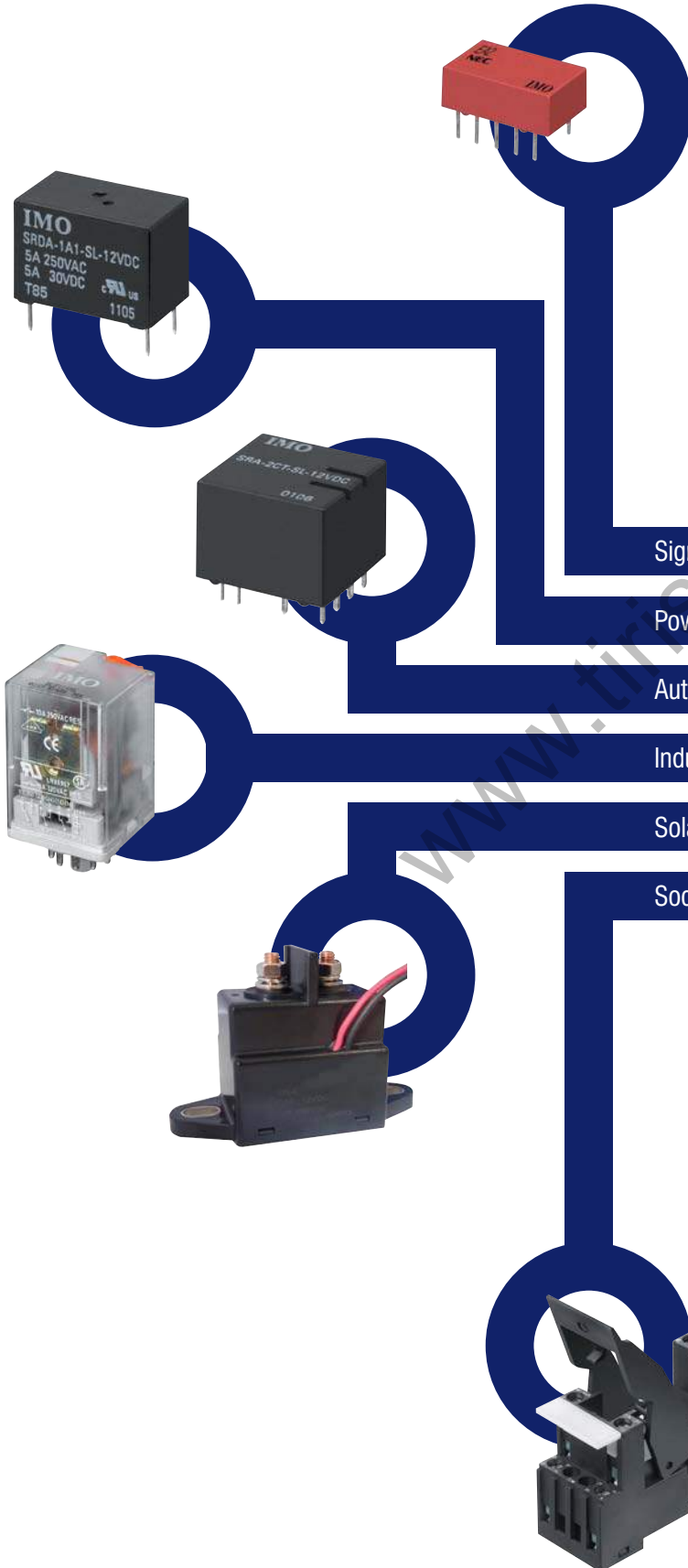


IMO produce dispositivi di controllo innovativi sin dal 1970. La continua espansione produttiva della società e delle sue risorse e lo sviluppo d'alleanze strategiche con centri di produzione d'eccellenza, hanno creato una delle migliori gamme di prodotti per l'automazione e controllo oggi disponibile. La prima azienda in Europa a farlo, IMO offre una garanzia di tre anni senza condizioni sulla maggior parte dei suoi componenti di controllo elettronico ed una garanzia di cinque anni su tutta la gamma d'Inverter IMO Jaguar.



Компания IMO с 1970 года производит инновационные компоненты для электроэнергетики и автоматизации. Непрерывное расширение производственных ресурсов и формирование стратегических альянсов совместно с производственными центрами, позволило сконцентрироваться на передовых технологиях, которые переросли в одно из лучших технических решений для энергетики и автоматизации. IMO - это первая компания в Европе, которая бесспорно дает 3 года гарантии на большинство электронных и электротехнических компонентов. На всю линейку частотных преобразователей Jaguar гарантия 5 лет.





Signal Relays 5

Power Relays 12

Automotive Relays 34

Industrial Power Relays 39

Solar Relays 43

Sockets 47

Glossary of technical terms

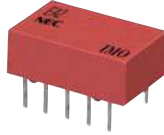


Ambient Temperature	Température ambiante	Temperature ambiente	Температура окружающей среды
Between Coil and Contacts	Entre bobines et contacts	Rigidità dielettrica tra bobina e contatti	Изоляция между катушкой и контактной группой
Between Contact Sets	Entre les contacts	Rigidità dielettrica tra i contatti chiusi	Напряжение между контактами
Between Open Contacts	Entre contact ouvert	Rigidità dielettrica tra i contatti aperti	Напряжение между разомкнутыми контактами
Bounce Time	Durée des rebonds	Tempo di rimbalzo	Время дребезга (контактов)
Coil Current	Courant bobine	Amperaggio di bobina	Номинальный ток потребления катушки
Coil Power	Puissance bobine	Assorbimento bobina	Мощность катушки
Coil Resistance	Résistance bobine	Resistenza della bobina	Сопротивление катушки
Coil Temperature Rise	Température bobine	Rampa di incremento temperature di bobina	Температурный предел катушки
Construction	Fabrication	Tecnologia di assemblaggio	Конструкция
Contact Arrangement	Position des contacts	Configurazione contatti / Posizione contatti	Расположение клемм
Contact Material	Matériaux des contacts	Materiale dei contatti	Материал контактов
Contact Rating (Resistive Load)	Estimation de contact (charge résistive)	Resistività di contatto	Резистивная нагрузка
Destructive	Destructif	Resistenza meccanica agli urti	Ударопрочность
Dielectric Strength	Rigidité diélectrique	Rigidità dielettrica	Диэлектрическая прочность
Dimensions	Tailles	Dimensioni	Размеры
Double Coil	Bobine double	Doppia bobina	Двойная катушка
Drop-Out Voltage	Tension de renvoi	Caduta di Tensione	Падение напряжения
Electrical Life	Durée de vie électrique	Durata elettrica	Срок эксплуатации
Functional	Fonctionnel	Funzionalità	Функциональность
High-Sensitivity	Haute sensibilité	Alta sensibilità	Максимальная чувствительность
Hold Down Springs	Maintient du ressort	Blocco molla	Пружинный зажим
Humidity	Humidité	Umidità	Влажность
Initial Contact Resistance (Max)	Résistance maximum des contacts	Resistenza iniziale di contatto (massima)	Сопротивление Контакта (Макс.)
Initial Insulation Resistance	Résistance d'isolation initiale	Resistenza iniziale di isolamento resistivo	Начальное сопротивление изоляции
Insulation Resistance	Résistance d'isolation	Resistenza d'isolamento	Сопротивление изоляции
Insulation Voltage	Tension d'isolation	Tensione d'isolamento	Напряжение изоляции
Latching	Verrouillage	Aggancio Meccanico	Блокировка
Maximum Allowable Voltage	Tension maximum autorisée	Massimo voltaggio consentito	Максимально допустимое напряжение
Maximum Operate Time	Vitesse maximum de commutation	Massima velocità di commutazione	Максимальное время срабатывания контактов
Maximum Output Current	Courant de sortie maximum	Massima corrente di uscita	Максимальный выходной ток
Maximum Release Time	Temps de relâchement maximum	Massimo tempo di rilascio	Максимальное время вкл/выкл
Maximum Switching Current	Courant de commutation maximum	Massima corrente di commutazione	Максимальный ток переключения
Maximum Switching Power	Puissance de commutation maximum	Massima potenza di commutazione	Максимальная мощность переключения
Maximum Switching Voltage	Tension de commutation maximum	Massimo voltaggio di commutazione	Максимальное напряжение
Maximum Turn-off time	Temps de descente maximum	Massimo tempo di spegnimento	Максимальное время отключения
Maximum Turn-on time	Temps de montée maximum	Massimo tempo d'accensione	Максимальное время включения
Mechanical Life	Durée de vie mécanique	Durata meccanica	Механическая долговечность
Minimum Applicable Load	Charge applicable minimum	Minimo Carico applicabile	Минимальная допустимая нагрузка
Minimum Power Factor	Rapport de puissance minimum	Minimo rapporto di potenza applicabile	Минимальный коэффициент мощности
Minimum Operate Current	Doit actionner le courant	Corrente minima di funzionamento	Рабочий ток
Minimum Operate Voltage	Doit actionner la tension	Voltaggio minimo di funzionamento	Рабочее напряжение
Minimum Release Current	Doit libérer le courant	Corrente minima di rilascio	Ток отключения
Minimum Release Voltage	Doit libérer la tension	Voltaggio minimo di rilascio	Напряжение отключения
Nominal Voltage	Tension nominale	Voltaggio nominale	Номинальное напряжение
Operate Time	Vitesse de commutation	Velocità operativa / Velocità di commutazione	Время срабатывания
Operations	Opérations	Operazioni	Операции
Output Logic	Sortie logique	Uscita logica	Логический выход
Pick-Up Voltage	Pic de tension	Voltaggio di attivazione bobina	Напряжение удержания
Pin Out	Borne de sortie	Polarità di collegamento	Полярность
Protection Degree	Degré de protection	Livelli di protezione	Степень защиты
Rated Current	Courant évalué	Corrente nominale	Расчётный ток
Rated Voltage	Tension évalué	Tensione nominale	Расчётное напряжение
Release time	Temps de relâchement	Tempo di Rilascio	Время выпуска
Reset Voltage	Tension de remise a zero	Voltaggio di reset	Сброс напряжения
Safety Approval Ratings	Estimations d'approbation de sûreté	Omologazioni	Безопасность
Screw Torque	Pression de serrage	Massima coppia di avvitamento (serraggio vite)	Момент затяжки винта
Sensitive	Sensibilità	Sensibilità	Чувствительность
Set Voltage	Tension de collage	Tensioni applicabili	Установленное напряжение
Shock Resistance	Résistance de choc	Resistenza agli urti	Ударопрочность
Single Coil	Bobine simple	Bobina singola	Одна катушка
Socket material	Matériel de l'enveloppe	Materiale dello zoccolo	Материал разъема
Standard	Standard	Standard	Стандарт
Temperature Rise	Élévation de la température	Riscaldamento	Повышение температуры
Termination	Arrêt	Connessioni	Соединение
Typical Input Current	Courant d'entrée typique	Corrente di ingresso	Входной ток
Unit Weight	Poids	Peso unitario	Удельный вес
Vibration Resistance	Vibration de la résistance	Resistenza alle vibrazioni	Вибростойчивость
Wire Strip Length	Longueur de bobinage	Profondità di morsettatura	Длина зачистки провода

NEC EA2

Key Features:

- Compact and light weight
- FCC (1500 V) surge capacity
- UL recognised and CSA certified
- Low power consumption (100-200 mW)



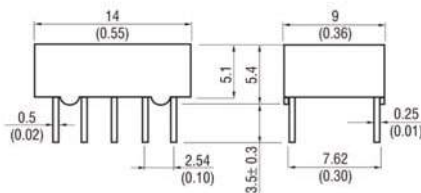
Technical Specification

Contact Form	2C
Contact Material	Silver Alloy with Gold Overlay
Rated Load (Resistive Load)	1A 30VDC 0.5A 125VAC
Max. Switching Voltage	220VDC / 250VAC
Max. Switching Power	30W / 62.5VA
Coil Voltage	3 to 24VDC
Nominal Operating Power	100 to 200mW
Dimensions (L x W x H) mm	14.2 x 9.2 x 5.4
Cross Reference	Omron G6H Fujitsu A / FBR46 Tyco FP2

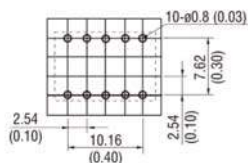
Ordering Information

EA2 - 5 S NU		
Coil Voltage		
3 VDC	3	NU UL/CSA approved
4.5 VDC	4.5	
5 VDC	5	Non Latching
6 VDC	6	
9 VDC	9	S Single Coil Latching
12 VDC	12	
24VDC	24	T Double Coil Latching

Outline dimensions (mm) Wiring diagram and PC Board layout



Note: Tolerance ±0.2 (±0.008) unless otherwise specified



Note: Tolerance ±0.1 (±0.004) unless otherwise specified

NEC EB2

Key Features:

- Compact and light weight
- FCC (1500 V) surge capacity
- UL recognised and CSA certified
- Low power consumption (100-200 mW)



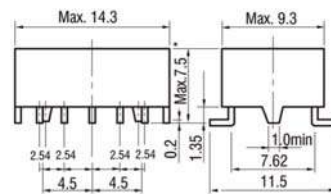
Technical Specification

Contact Form	2C
Contact Material	Silver Alloy with Gold Overlay
Rated Load (Resistive Load)	1A 30VDC 0.5A 125VAC
Max. Switching Voltage	220VDC / 250VAC
Max. Switching Power	30W / 62.5VA
Coil Voltage	3 to 24VDC
Nominal Operating Power	100 to 200mW
Dimensions (L x W x H) mm	14.3 x 9.3 x 7.5
Cross Reference	Omron G6H Fujitsu AS

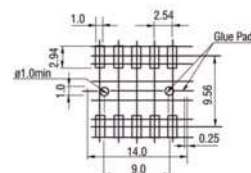
Ordering Information

EB2 - 5 S NU - E L		
Coil Voltage		
3 VDC	3	L Embossed Carrying Type (L type) R Embossed Carrying Type (R type)
4.5 VDC	4.5	
5 VDC	5	E Low profile type
6 VDC	6	
9 VDC	9	NU UL/CSA approved
12 VDC	12	
24VDC	24	Non Latching
		S Single Coil Latching
		T Double Coil Latching

Outline dimensions (mm) Wiring diagram and PC Board layout



Note: Tolerance ±0.2 unless otherwise specified
* Relay height of NuE type - 6.5mm (0.26) Max. Initial

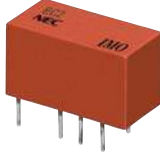


Note: Tolerance ±0.2 unless otherwise specified

NEC EC2

Key Features:

- Compact and light weight
- FCC (1500 V) and Telcordia (2500 V) surge capacity
- UL recognised and CSA certified
- Low power consumption (100-200 mW)



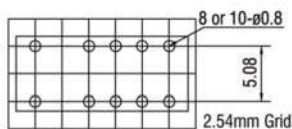
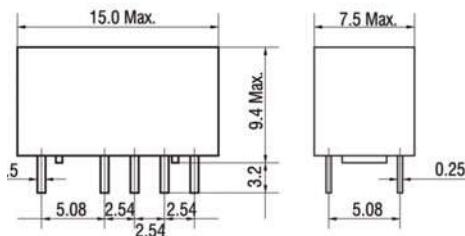
Technical Specification

Contact Form	2C
Contact Material	Silver Alloy with Gold Overlay
Rated Load (Resistive Load)	2A 30VDC 1A 125VAC
Max. Switching Voltage	220VDC / 250VAC
Max. Switching Power	60 / 125VA
Coil Voltage	3 to 24VDC
Nominal Operating Power	100 to 200mW
Dimensions (L x W x H) mm	15.0 x 7.5 x 9.4
Cross Reference	Omron G6S / Panasonic TX Fujitsu FTR-C1 / Tyco V23079 / FX2

Ordering Information

EC2 - 5 S NU		
Coil Voltage		NU UL/CSA approved
3 VDC	3	
4.5 VDC	4.5	
5 VDC	5	
6 VDC	6	
9 VDC	9	Non Latching
12 VDC	12	S Single Coil Latching
24VDC	24	T Double Coil Latching

Outline dimensions (mm) Wiring diagram and PC Board layout

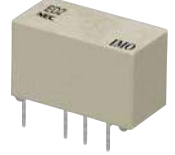


Note: Tolerance ± 0.1 unless otherwise specified

NEC ED2

Key Features:

- Compact and light weight
- FCC (1500 V) and Telcordia (2500 V) surge capacity
- UL recognised and CSA certified
- Low power consumption (30-70 mW)
- Basic insulation class for EN60950



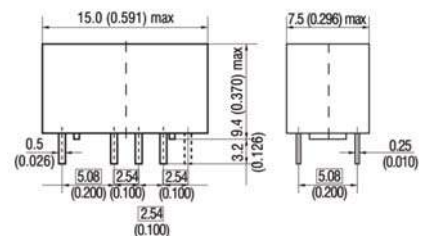
Technical Specification

Contact Form	2C
Contact Material	Silver Alloy with Gold Overlay
Rated Load (Resistive Load)	1A 30VDC 0.3A 110VDC 0.5A 125VAC
Max. Switching Voltage	220VDC / 250VAC
Max. Switching Power	30W / 62.5VA
Coil Voltage	1.5 to 24VDC
Nominal Operating Power	50 to 70mW
Dimensions (L x W x H) mm	15.0 x 7.5 x 9.4
Cross Reference	Omron G6S Panasonic TX-S Fujitsu FTR-C1

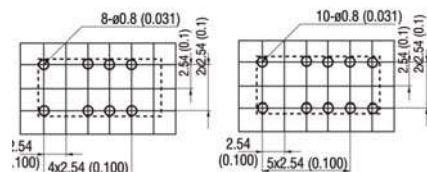
Ordering Information

ED2 - 5 S NU		
Coil Voltage		NU UL/CSA approved
1.5 VDC	1.5	
3 VDC	3	
4.5 VDC	4.5	
5 VDC	5	
6 VDC	6	Non Latching
9 VDC	9	S Single Coil Latching
12 VDC	12	T Double Coil Latching
24VDC	24	

Outline dimensions (mm) Wiring diagram and PC Board layout



Note: General tolerance: ± 0.2 (± 0.008)
Dimensions in \square show basic size. NJ type: Leads-2.8mm (0.110)



Note: General tolerance: ± 0.1 (± 0.004)

NEC EE2

Key Features:

- Compact and light weight
- FCC (1500 V) and Telcordia (2500 V) surge capacity
- UL recognised and CSA certified
- Low power consumption (100-200 mW)



Technical Specification

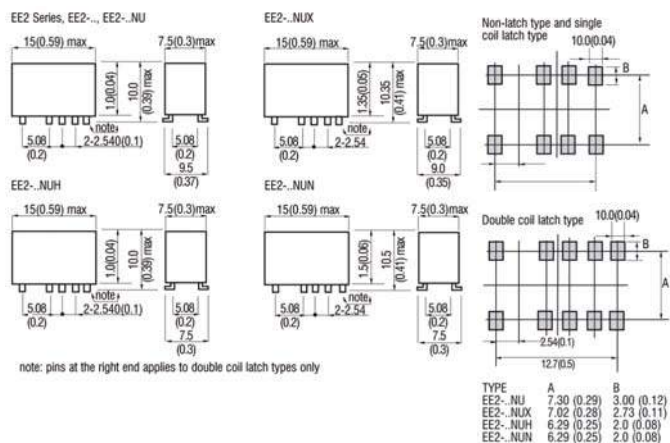
Contact Form	2C
Contact Material	Silver Alloy with Gold Overlay
Rated Load (Resistive Load)	2A 30VDC 0.3A 110VDC 0.5A 125VAC
Max. Switching Voltage	220VDC / 250VAC
Max. Switching Power	60W / 125VA
Coil Voltage	3 to 24VDC
Nominal Operating Power	100 to 200mW
Dimensions (L x W x H) mm	15.0 x 7.5 x 10.0
Cross Reference	Omron G6S / Panasonic TX Fujitsu FTR-C1 / Tyco V23079 / FX2

Ordering Information

EE2 - 3 S NU L

Coil Voltage			
3 VDC	3	L	Embossed carrying type (L type)
5 VDC	5	R	Embossed carrying type (R type)
6 VDC	6		
9 VDC	9	NU	UL/CSA approved
12 VDC	12	NUX	High soldering joint reliability 40yrs
24VDC	24	NUH	Minimum footprint (7.5x15)
		NUN	Soldering joint/minimum footprint
			Non Latching
		S	Single Coil Latching
		T	Double Coil Latching

Outline dimensions (mm) Wiring diagram and PC Board layout



NEC EF2

Key Features:

- Compact and light weight
- FCC (1500 V) and Telcordia (2500 V) surge capacity
- UL recognised and CSA certified
- Low power consumption (30-70 mW)
- Basic insulation class for EN60950



Technical Specification

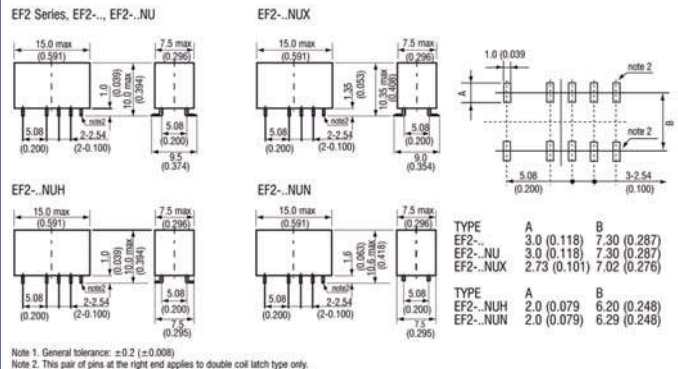
Contact Form	2C
Contact Material	Silver Alloy with Gold Overlay
Rated Load (Resistive Load)	2A 30VDC 0.3A 110VDC 0.5A 125VAC
Max. Switching Voltage	220VDC / 250VAC
Max. Switching Power	30W / 62.5VA
Coil Voltage	1.5 to 24VDC
Nominal Operating Power	50 to 70mW
Dimensions (L x W x H) mm	15.0 x 7.5 x 10.0
Cross Reference	Fujitsu FTR-C1 Panasonic TX-S

Ordering Information

EF2 - 3 S NU L

Coil Voltage			
1.5 VDC	1.5	L	Embossed Carrying Type (L type)
3 VDC	3	R	Embossed Carrying Type (R type)
4.5 VDC	4.5		
5 VDC	5	NU	UL/CSA approved
6 VDC	6	NUX	High soldering joint reliability 40yrs
9 VDC	9	NUH	Minimum footprint (7.5x15)
12 VDC	12	NUN	Soldering joint/minimum footprint
24VDC	24		Non Latching
		S	Single Coil Latching
		T	Double Coil Latching

Outline dimensions (mm) Wiring diagram and PC Board layout



NEC UA2

Key Features:

- Small mounting size of slim package for dense mounting
- FCC (1500 V) and Telcordia (2500 V) surge capacity
- IEC60950/UL1950/EN60950 spacing and high breakdown voltage. (Basic insulation class on 200 V working voltage)
- Low power consumption 140 mW



Technical Specification

Contact Form	2C
Contact Material	Silver Alloy with Gold Overlay
Rated Load (Resistive Load)	1A 30VDC 0.3A 110VDC 0.5A 125VAC
Max. Switching Voltage	220VDC / 250VAC
Max. Switching Power	30W / 37.5VA
Coil Voltage	3 to 24VDC
Nominal Operating Power	100 to 200mW
Dimensions (L x W x H) mm	10.6 x 5.7 x 8.0
Cross Reference	Omron G6J Fujitsu FTR-B4

Ordering Information

UA2-12	S	NU
Nominal Coil Voltage		NU UL/CSA Approved NUN Minimum Footprint Surface Mount Only
		S Single Coil Latch Type

NEC UB2

Key Features:

- Small mounting size of slim package for dense mounting
- FCC (1500 V) and Telcordia (2500 V) surge capacity
- IEC60950/UL1950/EN60950 spacing and high breakdown voltage. (Basic insulation class on 200 V working voltage)
- Low power consumption 140 mW



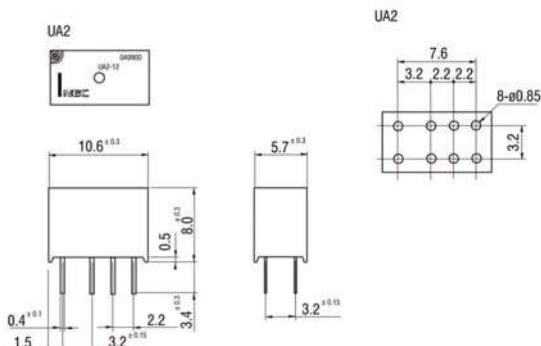
Technical Specification

Contact Form	2C
Contact Material	Silver Alloy with Gold Overlay
Rated Load (Resistive Load)	1A 30VDC 0.3A 110VDC 0.5A 125VAC
Max. Switching Voltage	220VDC / 250VAC
Max. Switching Power	30W / 37.5VA
Coil Voltage	3 to 24VDC
Nominal Operating Power	100 to 230mW
Dimensions (L x W x H) mm	10.6 x 5.7 x 8.8
Cross Reference	Omron G6J Fujitsu FTR-B4

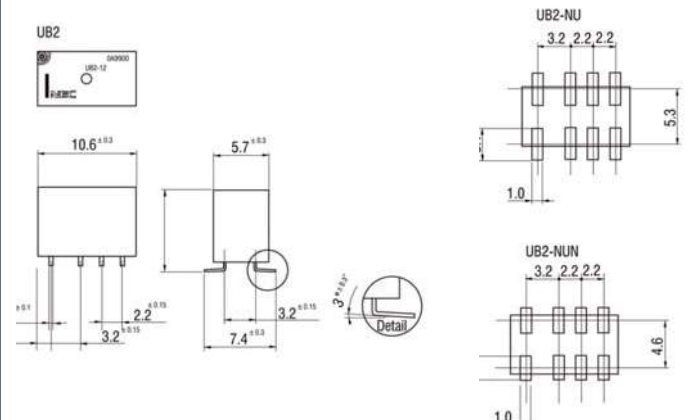
Ordering Information

UB2-12	S	NU
Nominal Coil Voltage		NU UL/CSA Approved NUN Minimum Footprint Surface Mount Only
		S Single Coil Latch Type

Outline dimensions (mm) Wiring diagram and PC Board layout



Outline dimensions (mm) Wiring diagram and PC Board layout



NEC UC2

Key Features:

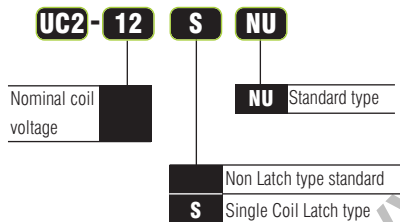
- Small mounting size of slim package for dense mounting
- FCC (1500 V) and Telcordia (2500 V) surge capacity
- IEC60950/UL1950/EN60950 spacing and high breakdown voltage. (Basic insulation class on 200 V working voltage)
- Low power consumption 140 mW



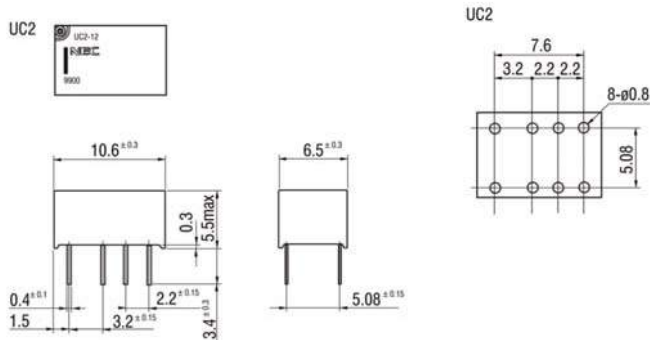
Technical Specification

Contact Form	2C
Contact Material	Silver Alloy with Gold Overlay
Rated Load (Resistive Load)	1A 30VDC 0.3A 110VDC 0.5A 125VAC
Max. Switching Voltage	220VDC / 250VAC
Max. Switching Power	30W / 37.5VA
Coil Voltage	3 to 24VDC
Nominal Operating Power	100 to 140mW
Dimensions (L x W x H) mm	10.6 x 6.5 x 5.3
Cross Reference	Omron G6K Fujitsu FTR-B3

Ordering Information



Outline dimensions (mm) Wiring diagram and PC Board layout



NEC UD2

Key Features:

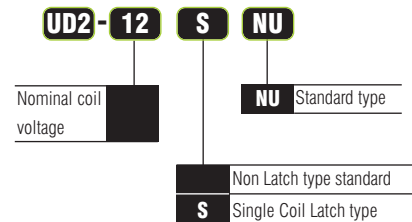
- Small mounting size of slim package for dense mounting
- FCC (1500 V) and Telcordia (2500 V) surge capacity
- IEC60950/UL1950/EN60950 spacing and high breakdown voltage. (Basic insulation class on 200 V working voltage)
- Low power consumption 140 mW



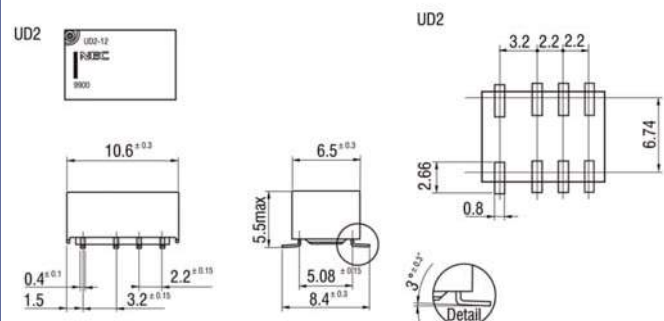
Technical Specification

Contact Form	2C
Contact Material	Silver Alloy with Gold Overlay
Rated Load (Resistive Load)	1A 30VDC 0.3A 110VDC 0.5A 125VAC
Max. Switching Voltage	220VDC / 250VAC
Max. Switching Power	30W / 37.5VA
Coil Voltage	3 to 24VDC
Nominal Operating Power	100 to 140mW
Dimensions (L x W x H) mm	10.6 x 6.5 x 5.45
Cross Reference	Omron G6K Fujitsu FTR-B3

Ordering Information



Outline dimensions (mm) Wiring diagram and PC Board layout



EV1N

Key Features:

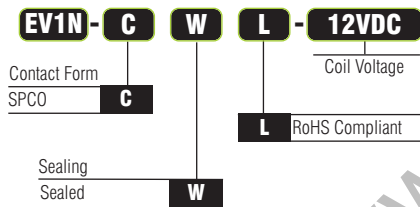
- High sensitive: 150mW
- 1 Form C configuration
- Plastic sealed type available



Technical Specification

Contact Form	1C
Contact Material	Silver Alloy with Gold Overlay
Rated Load (Resistive Load)	1A 30VDC 0.3A 60VDC 0.5A 125VAC
Max. Switching Voltage	60VDC / 125VAC
Max. Switching Power	30W / 62.5VA
Coil Voltage	1.5 to 24VDC
Nominal Operating Power	150 to 200mW
Dimensions (L x W x H) mm	12.5 x 7.5 x 10.0
Cross Reference	Omron G5V-1 / Panasonic HY Fujitsu SY / Tyco V23111

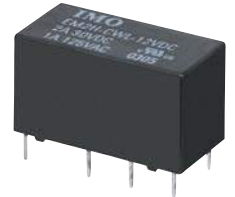
Ordering Information



EM2

Key Features:

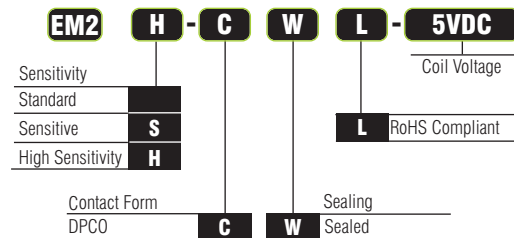
- High switching capability 125VAC / 60W
- Epoxy plastic sealed for automatic wave soldering and cleaning
- Bifurcated contacts



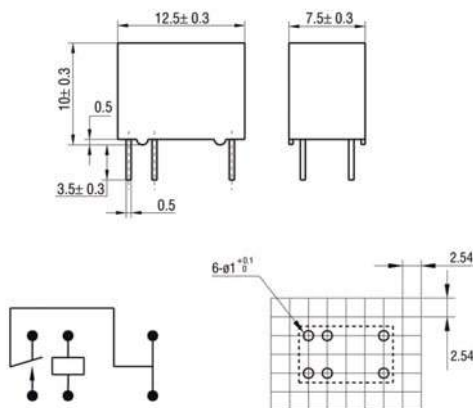
Technical Specification

Contact Form	2C
Contact Material	Silver Alloy with Gold Overlay
Rated Load (Resistive Load)	2A 30VDC 1A 125VAC
Max. Switching Voltage	120VDC / 240VAC
Max. Switching Power	60W / 125VA
Coil Voltage	3 to 48VDC
Nominal Operating Power	150 to 580mW
Dimensions (L x W x H) mm	20.2 x 10.0 x 11.5
Cross Reference	Omron G5V-2 / Panasonic DS2Y Fujitsu FBR244 - FTR C2 / Tyco V23105

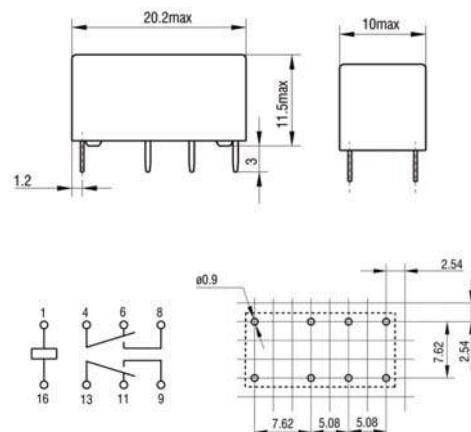
Ordering Information



Outline dimensions (mm) Wiring diagram and PC Board layout



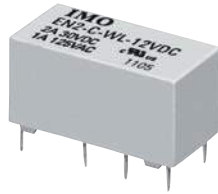
Outline dimensions (mm) Wiring diagram and PC Board layout



EN2

Key Features:

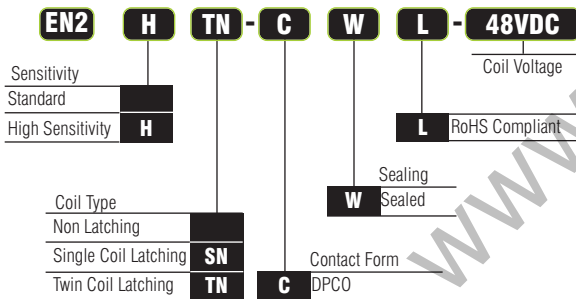
- High sensitivity: 150mW
- High switching capability 125VAC / 90W
- Epoxy plastic sealed for automatic wave soldering and cleaning
- Bifurcated contacts
- Single side stable and latching types available



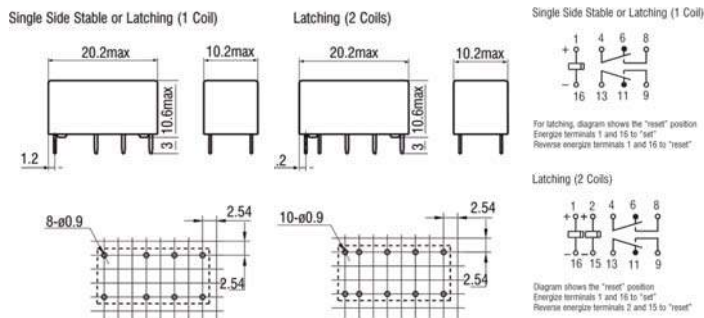
Technical Specification

Contact Form	2C
Contact Material	Ag-AuAg8, AgPd60
Rated Load (Resistive Load)	2A 25VDC
	0.5A 60VDC
	1A 120VAC
Max. Switching Voltage	220VDC / 250VAC
Max. Switching Power	90W / 125VA
Coil Voltage	3 to 48VDC
Nominal Operating Power	75 to 200mW
Dimensions (L x W x H) mm	20.2 x 10.2 x 10.6
Cross Reference	Omron G6A / Panasonic DS2E Fujitsu RA / Tyco V23042

Ordering Information



Outline dimensions (mm) Wiring diagram and PC Board layout



ETNA / ETPA

Key Features:

- 5A switching capability
- 3kV dielectric strength
- Surge voltage up to 4kV
- Slim size (width 5mm, height 12.5mm)
- High sensitivity 120mW



Technical Specification

Contact Form	1A
Contact Material	AgNi, AgSnO ₂
Rated Load (Resistive Load)	5A 250VAC 5A 30VDC
Max. Switching Voltage	30VDC / 250VAC
Max. Switching Power	150W / 1250VA
Coil Voltage	5 to 24VDC
Nominal Operating Power	120 to 180mW
Dimensions (L x W x H) mm	20.0 x 5.0 x 12.5
Cross Reference	Omron G6DS / Panasonic PA Fujitsu RS/NY / Tyco - PCN

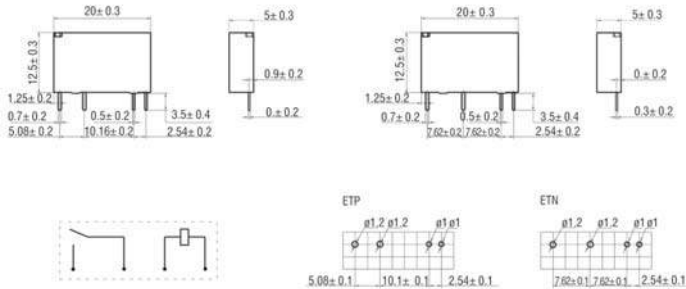
Ordering Information

ETNA / ETPA **1A** - **N** - **S** **L** - **12VDC**

Contact Form	SPNO	1A	Coil Voltage	12VDC
Contact Material	AgNi	N	Sealing	S Sealed
	AgSnO ₂	T		
	AgNi + Au Plated	N1		
	AgNi bifurcated + Au Plated	N2		
			L RoHS Compliant	

Socket Selection
SRTN

Outline dimensions (mm) Wiring diagram and PC Board layout



ETS

Key Features:

- Slim size (width 5mm)
- 4kV dielectric strength between coil and contacts
- Surge voltage up to 6kV between coil and contacts
- High sensitivity: 170mW
- SPNO and SPCO contact forms



Technical Specification

Contact Form	1A, 1C
Contact Material	AgNi, AgSnO ₂
Rated Load (Resistive Load)	6A 250VAC 6A 30VDC
Max. Switching Voltage	125VDC / 400VAC
Max. Switching Power	180W / 1500VA
Coil Voltage	5 to 60VDC
Nominal Operating Power	170mW (48VDC and 60 VDC: 210mW)
Dimensions (L x W x H) mm	28.0 x 5.0 x 15.0
Cross Reference	Panasonic PE Fujitsu FTR-LY Tyco V23092

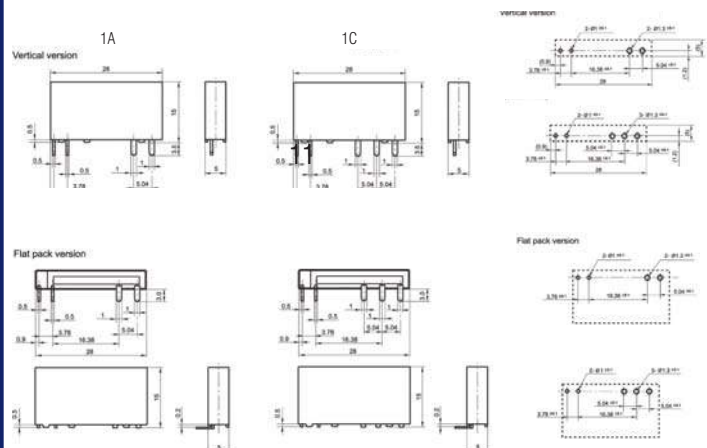
Ordering Information

ETS - 1A **N** - **S** **L** - **12VDC**

Contact Form	SPNO	1A	Coil Voltage	12VDC
	SPCO	1C		
Contact Material	AgNi	N	Sealing	S Sealed
	AgNi + Au Plated	N1		
	AgSnO ₂	T		
			B Vertical B Flat Pack	

Socket Selection
SRSI | SRSC

Outline dimensions (mm) Wiring diagram and PC Board layout



STN

Key Features:

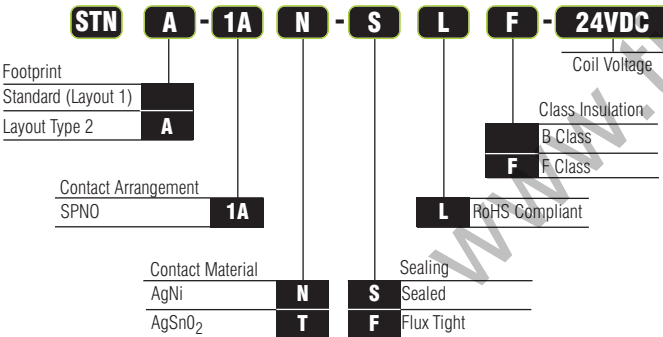
- Up to 10A switching capability
- 10kV impulse withstand voltage
- Highly efficient magnetic circuit for sensitivity (200mW)
- Extremely small footprint
- Class F & B insulation system



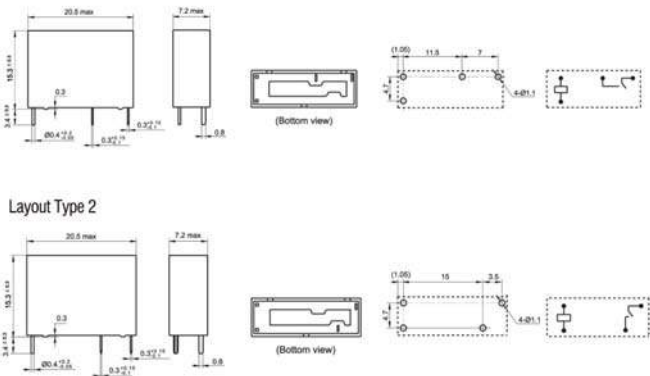
Technical Specification

Contact Form	1A
Contact Material	AgNi, AgSnO ₂
Rated Load (Resistive Load)	3A 250VAC/30VDC 5A 250VAC/30VDC
Max. Switching Voltage	30VDC / 277VAC
Max. Switching Power	150W / 1385VA
Coil Voltage	3 to 24VDC
Nominal Operating Power	200mW
Dimensions (L x W x H) mm	15.7 x 11.0 x 12.0
Cross Reference	Omron G5NB/G5T / Panasonic LD Fujitsu FTR-F3 / Tyco PCJ

Ordering Information



Outline dimensions (mm) Wiring diagram and PC Board layout



ERB

Key Features:

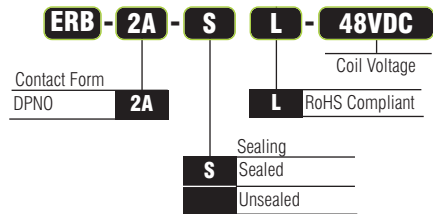
- 5A switching capability
- DPNO slim type
- Sealed & Unsealed types available
- TV-3 125VAC approved by UL standard



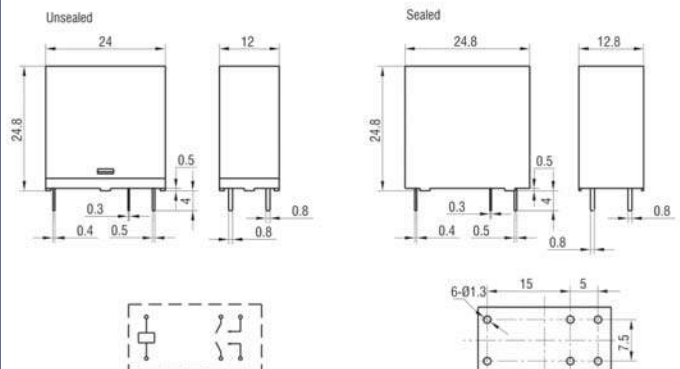
Technical Specification

Contact Form	2A
Contact Material	AgSnO ₂
Rated Load (Resistive Load)	5A 250VAC/30VDC
Max. Switching Voltage	30VDC / 250VAC
Max. Switching Power	150W / 1250VA
Coil Voltage	5 to 48VDC
Nominal Operating Power	530mW
Dimensions (L x W x H) mm	23.6 x 12.0 x 24.8
Cross Reference	Omron G5PA-2 / Panasonic LA Fujitsu FTR-F4 / Tyco OSA

Ordering Information



Outline dimensions (mm) Wiring diagram and PC Board layout



SRDA

Key Features:

- 5A switching capability
- SPNO & SPCO configurations
- Creepage / clearance distance: >8mm
- 5kV dielectric strength
- Dense mounting



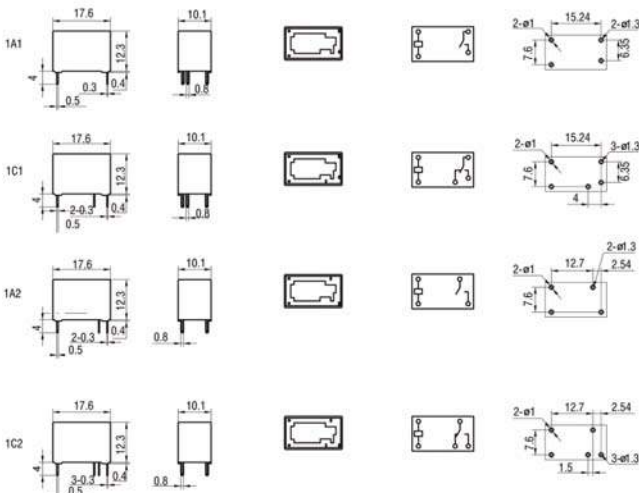
Technical Specification

Contact Form	1A, 1C
Contact Material	AgNi
Rated Load (Resistive Load)	1A: 5A 250VAC/30VDC 1C: 3A 250VAC/30VDC
Max. Switching Voltage	30VDC / 250VAC
Max. Switching Power	150W / 1250VA
Coil Voltage	3 to 48VDC
Nominal Operating Power	200 to 450mW
Dimensions (L x W x H) mm	17.6 x 10.1 x 12.3
Cross Reference	Fujitsu JV Tyco OJ/OJE

Ordering Information

SRDA		H		- 1C		1		N		- S		L		- 12VDC	
Sensitivity Standard		H		Sensitivity Sensitive (SPNO only)		H		Contact Form SPNO		1A		Contact Form SPCO		1C	
Terminal Types Layout 1		1		Terminal Types Layout 2		2		Contacts		N		N1		Coil Voltage	
										AgNi		AgNi + Au Plated		RoHS Compliant	

Outline dimensions (mm) Wiring diagram and PC Board layout



SRD

Key Features:

- 10A switching capability
- SPNO & SPCO configurations
- Subminiature PCB layout



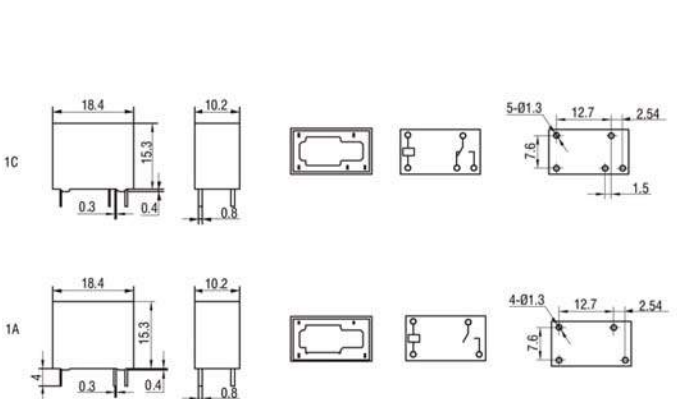
Technical Specification

Contact Form	1A, 1C
Contact Material	AgNi
Rated Load (Resistive Load)	1A: 10A 125VAC 1A: 5A 250VAC/30VDC 1C: 3A 250VAC/30VDC
Max. Switching Voltage	30VDC / 250VAC
Max. Switching Power	150W / 1250VA
Coil Voltage	3 to 48VDC
Nominal Operating Power	200 to 450mW
Dimensions (L x W x H) mm	18.4 x 10.2 x 15.3
Cross Reference	Fujitsu JV Tyco OJ/OJE

Ordering Information

SRD		H		- 1A		- S		L		- 48VDC	
Sensitivity Standard		H		Sensitivity Sensitive (SPNO only)		H		Contact Form SPNO		1A	
Terminal Types Layout 1		1		Terminal Types Layout 2		1C		Contact Form SPCO		1C	
										Coil Voltage	
										RoHS Compliant	

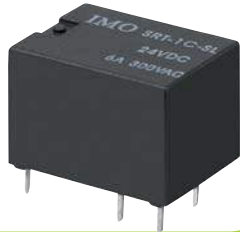
Outline dimensions (mm) Wiring diagram and PC Board layout



SRT

Key Features:

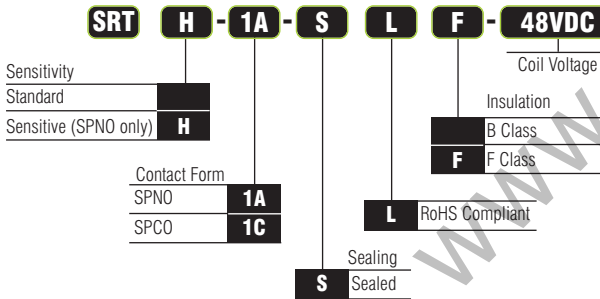
- 6A switching capability
- SPNO & SPCO configurations
- Subminiature, high sensitivity relay



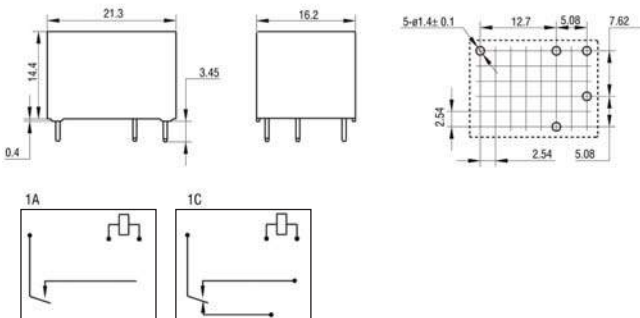
Technical Specification

Contact Form	1A, 1C
Contact Material	AgNi
Rated Load (Resistive Load)	6A 300VAC/28VDC
Max. Switching Voltage	30VDC / 300VAC
Max. Switching Power	300W / 1800VA
Coil Voltage	3 to 48VDC
Nominal Operating Power	330 to 600mW
Dimensions (L x W x H) mm	21.3 x 16.2 x 14.4
Cross Reference	Fujitsu LZ Tyco OUDH / T73

Ordering Information



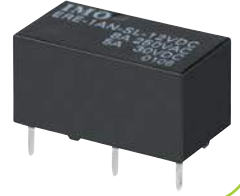
Outline dimensions (mm) Wiring diagram and PC Board layout



ERE

Key Features:

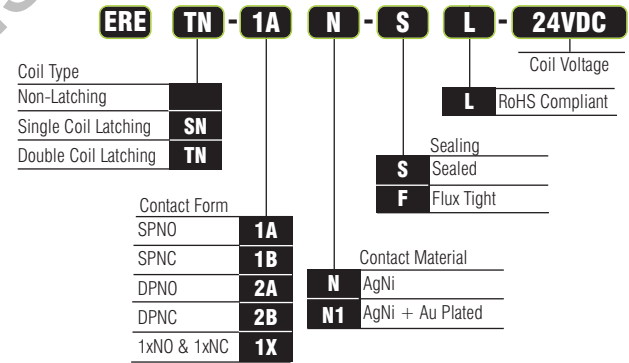
- Single side stable and latching type available
- High switching capacity: up to 8A
- High sensitivity: 150-300mW
- 3kV dielectric strength between coil & contacts



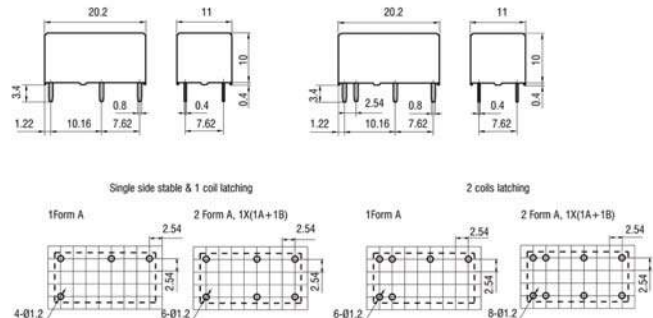
Technical Specification

Contact Form	1A, 1B 2A, 2B, 1A+1B
Contact Material	AgNi
Rated Load (Resistive Load)	1A, 1B: 8A 250VAC/ 5A 30VDC 2A, 2B, 1A + 1B: 5A 250VAC/30VDC
Max. Switching Voltage	125VDC / 380VAC
Max. Switching Power	150W/2000VA 150W/1250VA
Coil Voltage	3 to 24VDC
Nominal Operating Power	150 to 300mW
Dimensions (L x W x H) mm	20.2 x 11.0 x 10.4
Cross Reference	Omron G6B Panasonic DSP

Ordering Information



Outline dimensions (mm) Wiring diagram and PC Board layout



SRU

Key Features:

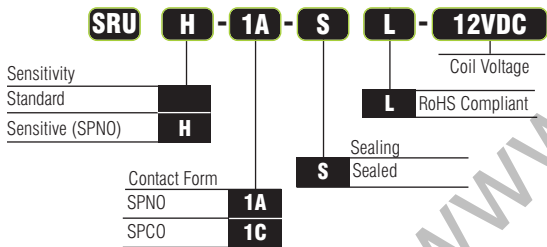
- 10A switching capability
- SPNO & SPCO configurations
- Creepage distance: 8mm
- Clearance distance: NO - 4.5mm, NC - 4mm



Technical Specification

Contact Form	1A, 1C
Contact Material	AgNi
Rated Load (Resistive Load)	NO: 10A 125VAC 5A 250VAC/30VDC NC: 3A 250VAC/30VDC
Max. Switching Voltage	30VDC / 277VAC
Max. Switching Power	150W / 1250VA
Coil Voltage	3 to 48VDC
Nominal Operating Power	200 to 450mW
Dimensions (L x W x H) mm	20.5 x 10.2 x 15.3
Cross Reference	Omron G5SB/G5Q / Panasonic JQ/PQ Fujitsu JY / Tyco RE/REL/PCH

Ordering Information



ERT

Key Features:

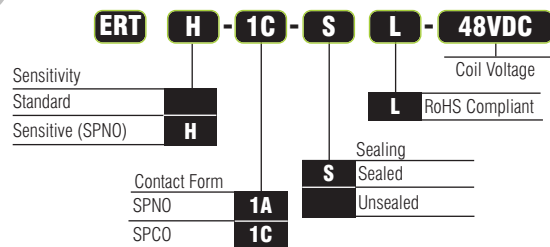
- 10A switching capability
- SPNO & SPCO configurations
- Sealed & Unsealed types available



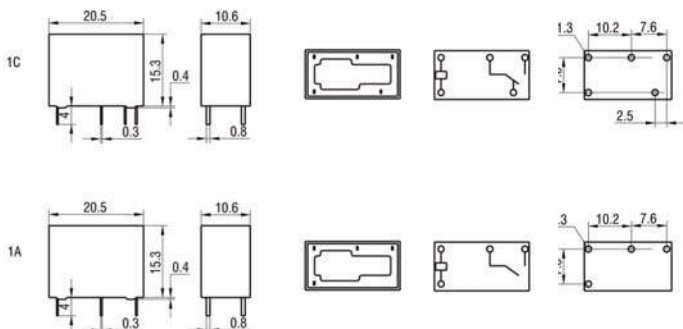
Technical Specification

Contact Form	1A, 1C
Contact Material	AgSnO ₂
Rated Load (Resistive Load)	10A 250VAC/30VDC TV-5 125VAC
Max. Switching Voltage	30VDC / 250VAC
Max. Switching Power	300W / 2500VA
Coil Voltage	5 to 48VDC
Nominal Operating Power	250 to 530mW
Dimensions (L x W x H) mm	23.8 x 9.5 x 24.5
Cross Reference	Omron G5PA-1 / Panasonic LK Fujitsu FTR-H2/F2 / Tyco SDT

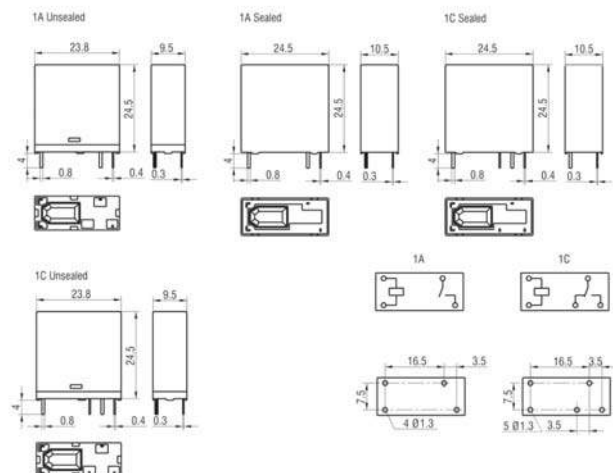
Ordering Information



Outline dimensions (mm) Wiring diagram and PC Board layout



Outline dimensions (mm) Wiring diagram and PC Board layout



SRQ

Key Features:

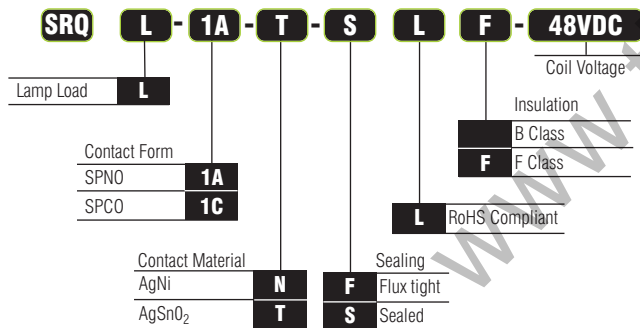
- 15A switching capability
- SPNO & SPCO configuration
- Sealed & Unsealed types available
- Flammability class UL94, V-0
- Lamp load version available TV-5 125VAC



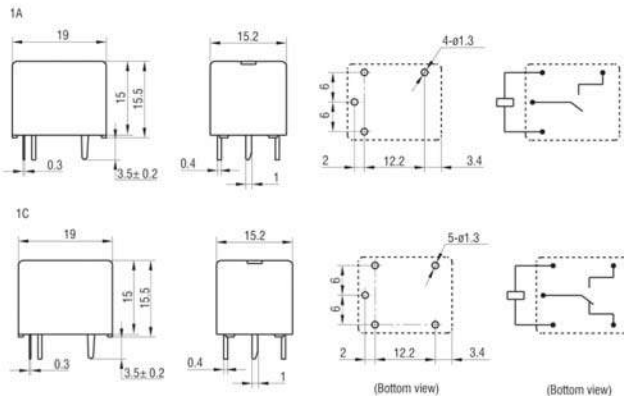
Technical Specification

Contact Form	1A, 1C
Contact Material	AgNi, AgSnO ₂
Rated Load (Resistive Load)	1A: 10A 250VAC/28VDC 1C: NO 10A 250VAC/28VDC NO/NC: 5A/5A 250VAC
Max. Switching Voltage	30VDC / 277VAC
Max. Switching Power	210W / 2770VA
Coil Voltage	3 to 48VDC
Nominal Operating Power	360mW
Dimensions (L x W x H) mm	19.0 x 15.2 x 15.5
Cross Reference	Omron G5LB / Panasonic JS Tyco T72 / Songchuan 899

Ordering Information



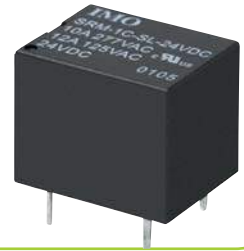
Outline dimensions (mm) Wiring diagram and PC Board layout



SRM

Key Features:

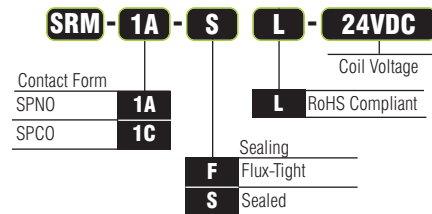
- 15A switching capability
- SPNO & SPCO configurations
- Sealed & Unsealed types available
- VDE Approved



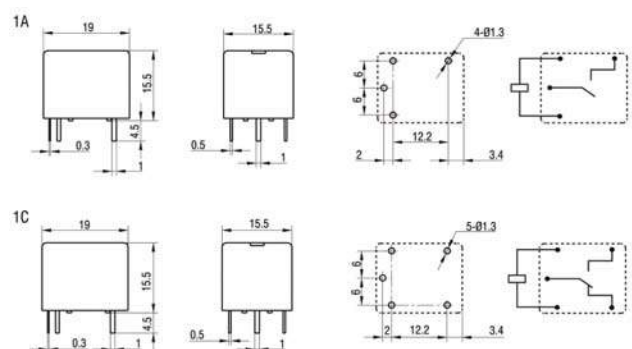
Technical Specification

Contact Form	1A, 1C
Contact Material	AgSnO ₂
Rated Load (Resistive Load)	10A 277VAC 10A 28VDC
Max. Switching Voltage	30VDC / 277VAC
Max. Switching Power	210W / 2770VA
Coil Voltage	5 to 48VDC
Nominal Operating Power	360mW (48VDC: 510mW)
Dimensions (L x W x H) mm	19.0 x 15.2 15.5
Cross Reference	Omron G5LC / G5LE Panasonic JS / Finder 36.11 Tyco T72 / OEG PCE/ORWH

Ordering Information



Outline dimensions (mm) Wiring diagram and PC Board layout



ETC

Key Features:

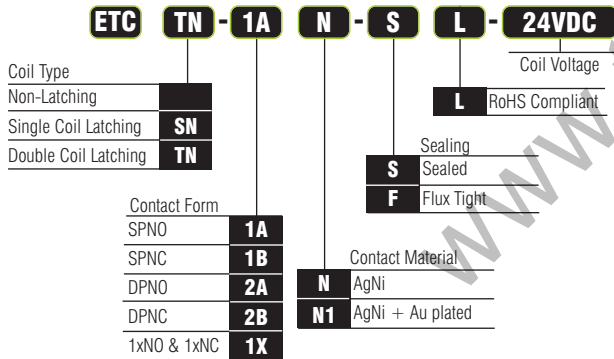
- Single side stable and latching type available
- High switching capacity: up to 10A
- 4kV dielectric strength between coil & contacts
- High sensitivity: 200-280mW



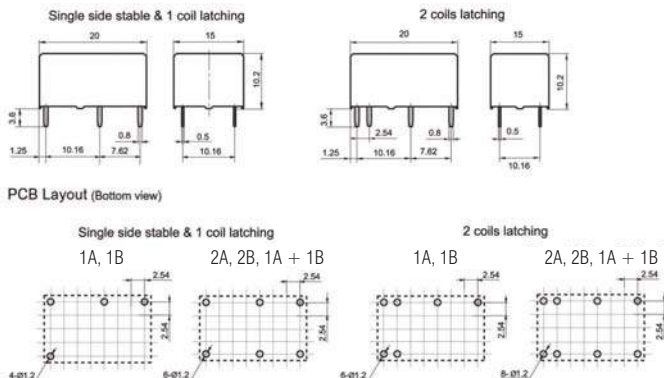
Technical Specification

Contact Form	1A, 1B 2A 2B, 1A + 1B
Contact Material	AgNi, AgSnO ₂
Rated Load (Resistive Load)	1A, 1B: 10A 250VAC/30VDC 2A, 2B, 1A + 1B: 8A 250VAC/30VDC
Max. Switching Voltage	30VDC / 277VAC
Max. Switching Power	2500VA 2000VA
Coil Voltage	3 to 24VDC
Nominal Operating Power	200 to 420mW
Dimensions (L x W x H) mm	20.0 x 15.0 x 10.2
Cross Reference	Omron G6C Panasonic DK

Ordering Information



Outline dimensions (mm) Wiring diagram and PC Board layout



Please refer to the full technical datasheet for latching version wiring diagrams

ERN

Key Features:

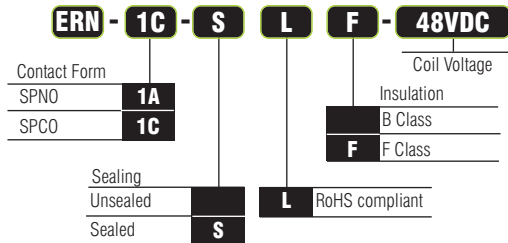
- 16A switching capability
- SPNO & SPCO configurations
- 2kV dielectric strength
- High performance / low profile
- UL94V-0, CTI250 flammability class



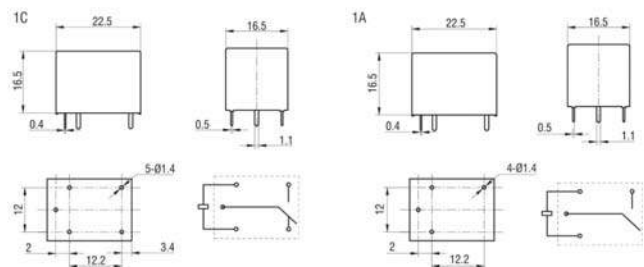
Technical Specification

Contact Form	1A, 1C
Contact Material	AgSnO ₂
Rated Load (Resistive Load)	1A 16A 250VAC 1C: 12A 125VAC NO/NC: 10A/7A 250VAC
Max. Switching Voltage	28VDC / 250VAC
Max. Switching Power	280W / 4000VA
Coil Voltage	3 to 48VDC
Nominal Operating Power	360mW
Dimensions (L x W x H) mm	22.0 x 16.0 x 16.4
Cross Reference	Omron G5LE-VD / Panasonic JSM Fujitsu FBR160 / Songchuan 812BH

Ordering Information



Outline dimensions (mm) Wiring diagram and PC Board layout



SRHH

Key Features:

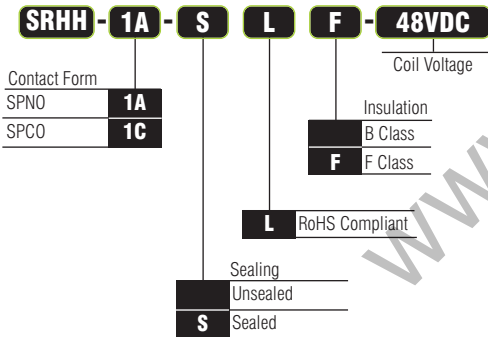
- 15A switching capability
- SPNO & SPCO configurations
- Standard PCB layout
- Sealed & Unsealed types available
- B & F Class insulation systems



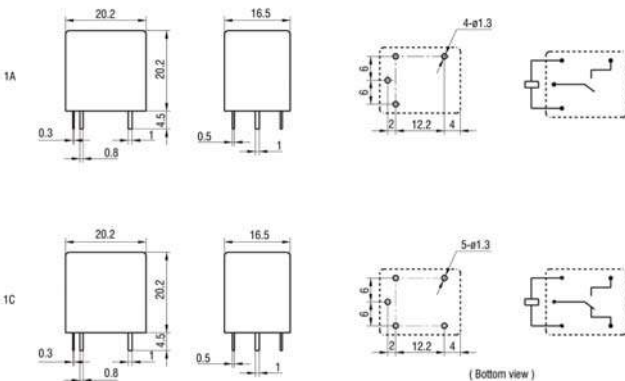
Technical Specification

Contact Form	1A, 1B, 1C
Contact Material	AgSnO ₂
Rated Load (Resistive Load)	1A, 1B: 15A 120VAC 1C: 10A 120VAC/24VDC
Max. Switching Voltage	30VDC / 250VAC
Max. Switching Power	240W / 1800VA
Coil Voltage	5 to 48VDC
Nominal Operating Power	360mW (48VDC: 530mW)
Dimensions (L x W x H) mm	20.2 x 16.5 x 20.2
Cross Reference	Omron G5L Tyco LN/41896 OEG SRUDH / SRUHH

Ordering Information



Outline dimensions (mm) Wiring diagram and PC Board layout



SRC

Key Features:

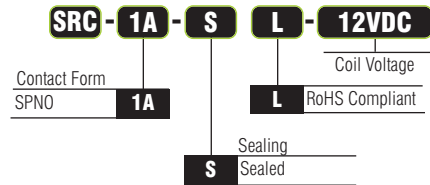
- 12A switching capability
- SPNO configuration
- Subminiature standard PCB layout
- Sealed & Unsealed types available



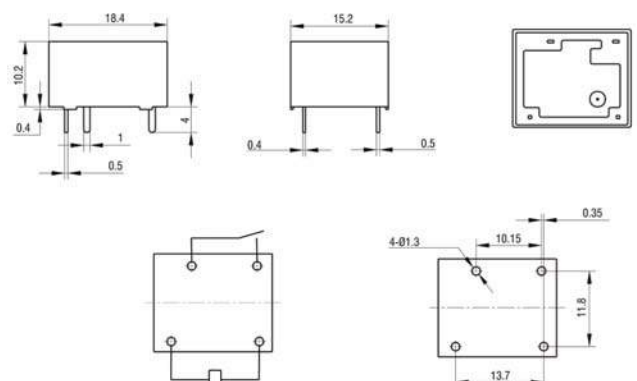
Technical Specification

Contact Form	1A
Contact Material	AgSnO ₂
Rated Load (Resistive Load)	12A 125VAC 10A 277VAC/30VDC
Max. Switching Voltage	30VDC / 277VAC
Max. Switching Power	300W / 2770VA
Coil Voltage	3 to 24VDC
Nominal Operating Power	450mW
Dimensions (L x W x H) mm	18.4 x 15.2 x 10.2
Cross Reference	Songchuan 834

Ordering Information



Outline dimensions (mm) Wiring diagram and PC Board layout



SRCAP

Key Features:

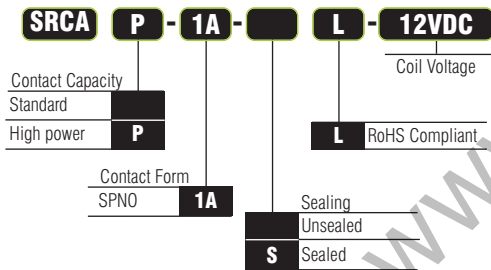
- Low height, flat construction
- 16A switching capability
- High Sensitivity 200mW
- Sealed & Unsealed types available



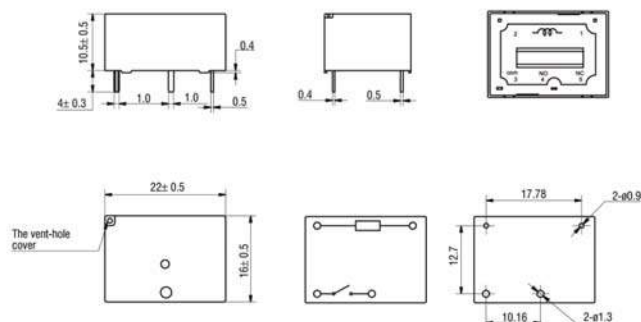
Technical Specification

Contact Form	1A
Contact Material	AgNi
Rated Load (Resistive Load)	1A: 16A 250VAC 10A 250VAC/30VDC 1C: NO/NC 10A/6A 125/250VAC
Max. Switching Voltage	30VDC / 250VAC
Max. Switching Power	300W / 4000VA
Coil Voltage	5 to 48VDC
Nominal Operating Power	200 to 400mW
Dimensions (L x W x H) mm	22.0 x 16.0 x 10.5
Cross Reference	Omron G5CA Panasonic JV/JVN Tyco PCD

Ordering Information



Outline dimensions (mm) Wiring diagram and PC Board layout



EJHP

Key Features:

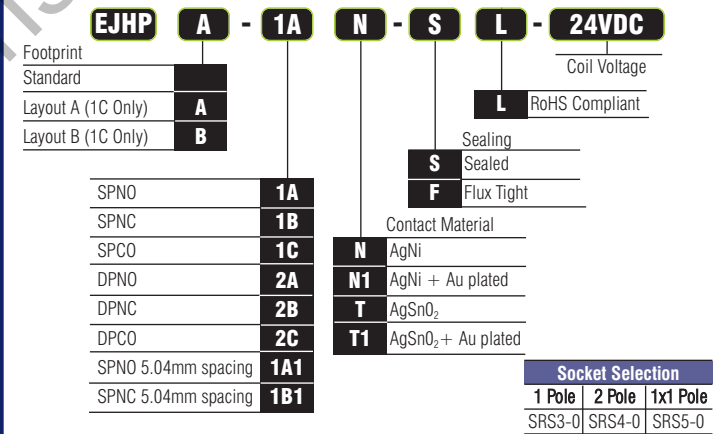
- 10A switching capability
- 1 & 2 pole configurations
- 5kV dielectric strength
- Low height 12.5mm
- Creepage distance >8mm



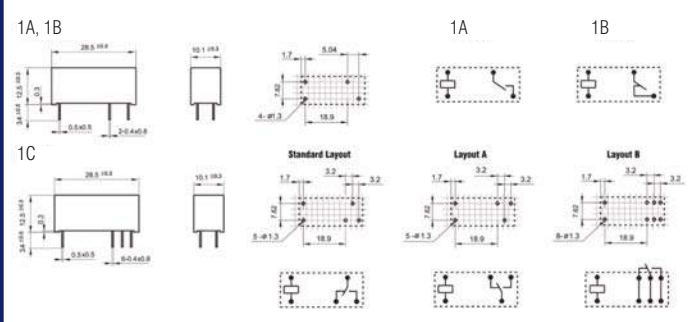
Technical Specification

Contact Form	1A, 1B, 1C	2A, 2B, 2C
Contact Material	AgSnO ₂	
Rated Load (Resistive Load)	10A 250VAC 10A 30VDC	5A 250VAC 5A 30VDC
Max. Switching Voltage	125VDC / 440VAC	
Max. Switching Power	300W/2500VA	150W/1250VA
Coil Voltage	5 to 60VDC	
Nominal Operating Power	220 to 360mW	
Dimensions (L x W x H) mm	28.5 x 10.1 x 12.5	
Cross Reference	Omron G6RN Fujitsu FTR-F1 Schrack RY11	

Ordering Information



Outline dimensions (mm) Wiring diagram and PC Board layout



Please refer to the full technical datasheet for the outline dimensions and wiring diagrams for the 2A, 2B and 2C

ERR

Key Features:

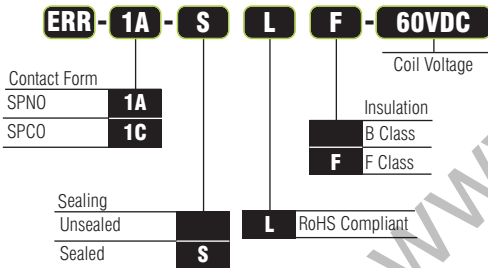
- 10A switching capability
- 1 & 2 pole configurations
- 5kV dielectric strength
- Sealed and Unsealed types available



Technical Specification

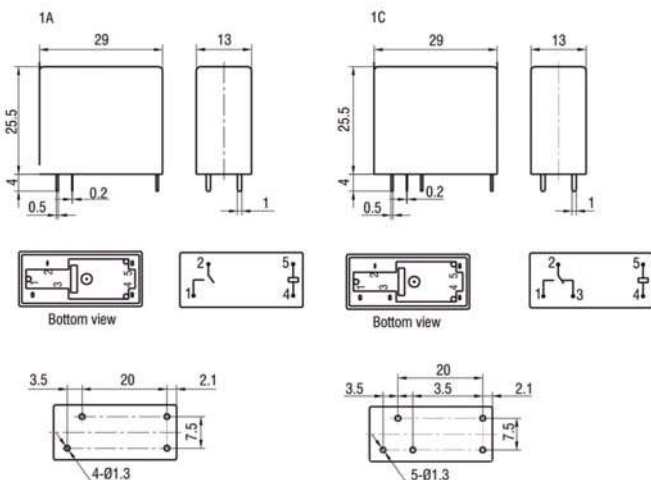
Contact Form	1A, 1C
Contact Material	AgSnO ₂
Rated Load (Resistive Load)	10A 277VAC/30VDC
Max. Switching Voltage	30VDC/277VAC
Max. Switching Power	300W/2770VAC
Coil Voltage	3 to 60VDC
Nominal Operating Power	530mW
Dimensions (L x W x H) mm	29.0 x 13.0 x 26.0
Cross Reference	Omron G2R / Panasonic JR Fujitsu FBR-F1/VSB/VS Tyco RKA/RKS

Ordering Information



Socket Selection	
SPNO	SPCO
SRS1-0	SRS2-0
SRN3-S	SRN5-S

Outline dimensions (mm) Wiring diagram and PC Board layout



SRRHN

Key Features:

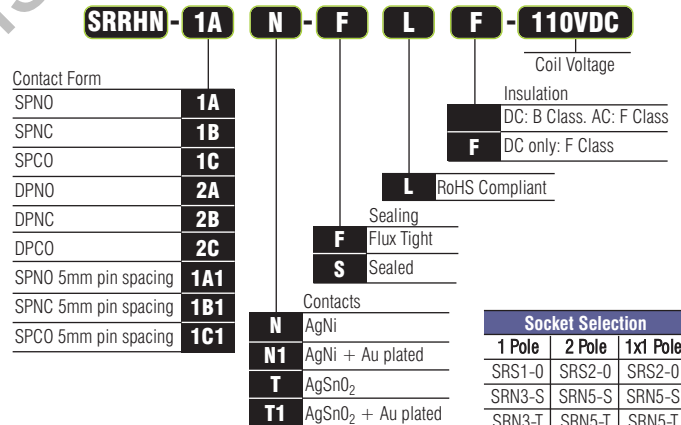
- Low height 15.7mm
- 1 & 2 pole configurations
- 5kV dielectric strength
- Creepage distance 10mm
- VDE Approved



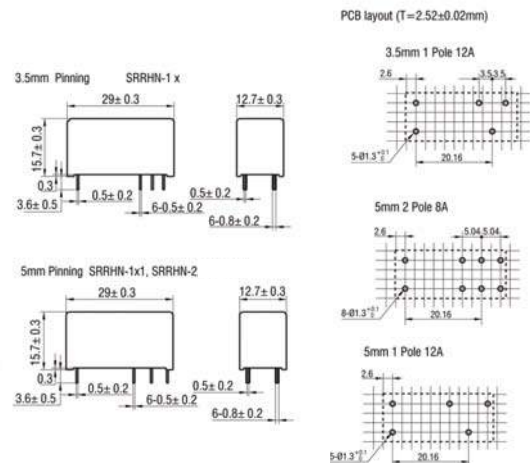
Technical Specification

Contact Form	1A, 1B, 1C	2A, 2B, 2C
Contact Material	AgNi, AgSnO ₂	
Rated Load (Resistive Load)	12A 250VAC	8A 250VAC
Max. Switching Voltage	125VDC / 440VAC	
Max. Switching Power	3000VAC	2000VAC
Coil Voltage	5 to 110VDC / 24, 115 & 230VAC	
Nominal Operating Power	400mW, 0.75VA	
Dimensions (L x W x H) mm	29.0 x 12.7 x 15.7	
Cross Reference	Omron G2RL / Panasonic JW1/JW2/DJ Schrack RT / Fujitsu FTR-K1 Finder 41 Series	

Ordering Information



Outline dimensions (mm) Wiring diagram and PC Board layout



SRRNS

Key Features:

- High sensitivity coil 250mW
- Low height 15.7mm
- 10A switching capabilities
- 5kV dielectric strength
- Creepage distance 10mm
- Sealed and Unsealed types available



Technical Specification

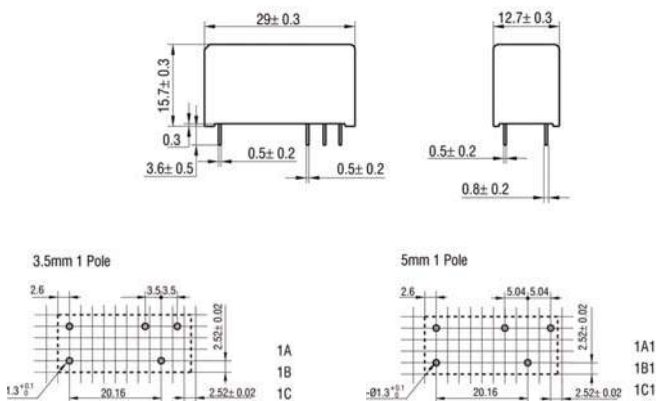
Contact Form	1A, 1B, 1C
Contact Material	AgNi, AgSnO ₂
Rated Load (Resistive Load)	10A 250VAC
Max. Switching Voltage	125VDC / 440VAC
Max. Switching Power	2500VA
Coil Voltage	5 to 60VDC
Nominal Operating Power	250mW
Dimensions (L x W x H) mm	29.0 x 12.7 x 15.7
Cross Reference	Schrack RT1 Sensitive Fujitsu FTR-K1

Ordering Information

SRRNS - 1C N S L - 60VDC

Contact arrangement	1A	Coil Voltage	L RoHS Compliant
SPNO	1A	Sealing	S Sealed
SPNC	1B		U Unsealed
SPCO	1C	Contact material	N AgNi
SPNO 5mm Pin Spacing	1A1		T AgSnO ₂
SPNC 5mm Pin Spacing	1B1	Socket Selection	
SPCO 5mm Pin Spacing	1C1	1 Pole	2 Pole
		SRS1-0	SRS2-0
		SRN3-S	SRN5-S
		SRN3-T	SRN5-T

Outline dimensions (mm) Wiring diagram and PC Board layout



SRP

Key Features:

- Low height 15.7mm
- 16A switching capabilities
- 5kV dielectric strength
- Creepage distance 10mm
- Sealed and unsealed types available
- VDE Approved



Technical Specification

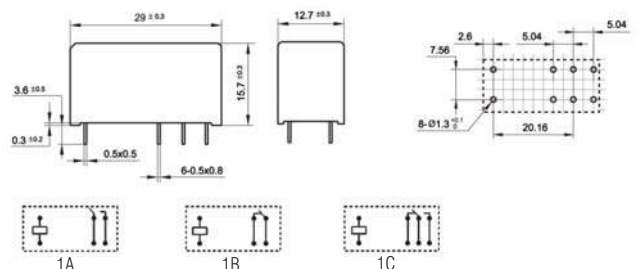
Contact Form	1A, 1B, 1C
Contact Material	AgNi, AgSnO ₂
Rated Load (Resistive Load)	16A 250VAC
Max. Switching Voltage	125VDC / 440VAC
Max. Switching Power	4000VA
Coil Voltage	5 to 110VDC / 24, 115 & 230VAC
Nominal Operating Power	400mW, 0.75VA
Dimensions (L x W x H) mm	29.0 x 12.7 x 15.7
Cross Reference	Omron G2RL / Panasonic JW1/JW2/DJ Schrack RT / Fujitsu FTR-K1

Ordering Information

SRP 1A - N F - L F - 110VDC

Contact arrangement	1A1	Coil Voltage	F 110VDC
SPNO	1A1	Insulation	B Class
SPNC	1B1		F Class
SPCO	1C1	Sealing	S Sealed
Contacts	N AgNi		U Unsealed
AgNi + Au plated	N1	RoHS Compliant	L RoHS Compliant
AgSnO ₂	T		
AgSnO ₂ + Au plated	T1		

Outline dimensions (mm) Wiring diagram and PC Board layout



SRRLC

Key Features:

- Low height 15.7mm
- 1 & 2 pole configurations
- 5kV dielectric strength
- Creepage distance 10mm



Technical Specification

Contact Form	1A, 1C	2A, 2C
Contact Material	AgSnO ₂ , AgSnO ₂ +Au Plated	
Rated Load (Resistive Load)	12A 250VAC	8A 250VAC
Max. Switching Voltage	400VAC	
Max. Switching Power	3000VA	2000VA
Coil Voltage	5 to 48VDC, 230VAC	
Nominal Operating Power	400mW, 0.75VA	
Dimensions (L x W x H) mm	29.0 x 12.7 x 15.7	
Cross Reference	Omron G2RL / Panasonic JW1/JW2/DJ Schrack RT / Fujitsu FTR-K1 Finder 41 Series	

Ordering Information

SRRLC - 1A T - F L F - 48VDC

Contact arrangement

SPNO	1A
SPCO	1C
DPNO	2A
DPCO	2C
SPNO 5mm pin spacing	1A1
SPCO 5mm pin spacing	1C1

Coil Voltage: 48VDC

Insulation: DC: B Class, AC: F Class; DC only: F Class

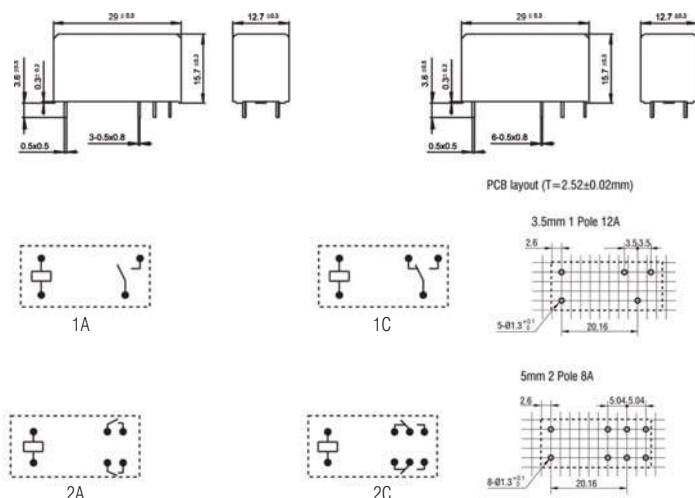
Sealing: D Dust Cover, F Flux Tight, S Sealed

RoHS Compliant: L

Contacts: T AgSnO₂, T1 AgSnO₂+Au plated

Socket Selection		
1 Pole	2 Pole	1x1 Pole
SRS1-0	SRS2-0	SRS2-0
SRN3-S	SRN5-S	SRN5-S
SRN3-T	SRN5-T	SRN5-T

Outline dimensions (mm) Wiring diagram and PC Board layout



SRPLC

Key Features:

- Low height 15.7mm
- 16A switching capabilities
- 5kV dielectric strength
- Creepage distance 10mm
- Sealed and unsealed types available



Technical Specification

Contact Form	1A, 1C
Contact Material	AgSnO ₂
Rated Load (Resistive Load)	16A 250VAC
Max. Switching Voltage	125VDC / 440VAC
Max. Switching Power	4000VA
Coil Voltage	5 to 110VDC / 24, 115 & 230VAC
Nominal Operating Power	400mW, 0.75VA
Dimensions (L x W x H) mm	29.0 x 12.7 x 15.7
Cross Reference	Omron G2RL / Panasonic JW1/JW2/DJ Schrack RT / Fujitsu FTR-K1

Ordering Information

SRPLC 1A1 - T F - L F - 110VDC

Contact arrangement

SPNO 5mm pin spacing	1A1
SPCO 5mm pin spacing	1C1

Coil Voltage: 110VDC

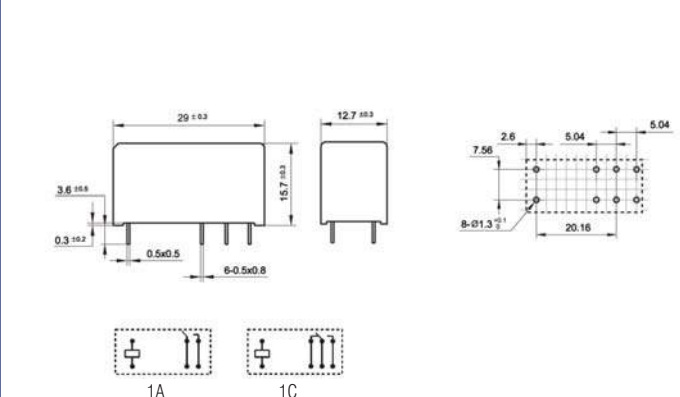
Insulation: B Class, F Class

Sealing: D Dust Cover, F Flux Tight, S Sealed

RoHS Compliant: L

Contacts: T AgSnO₂, T1 AgSnO₂+Au plated

Outline dimensions (mm) Wiring diagram and PC Board layout



SRPL

Key Features:

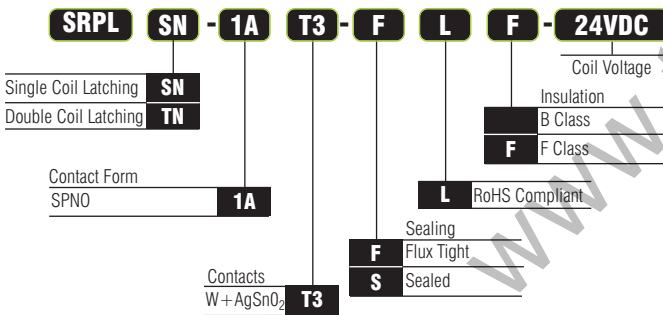
- High inrush latching relay
- 16A switching capabilities
- 5kV dielectric strength
- Special contact structure
- Incandescent lamp load: 35kW 230VAC



Technical Specification

Contact Form	1A
Contact Material	W + AgSnO ₂
Rated Load (Resistive Load)	16A 250VAC 3500W 230VAC (Incandescent lamp load)
Max. Switching Voltage	440VAC
Max. Switching Power	4000VA
Coil Voltage	5 to 24VDC
Nominal Operating Power	400mW, 600mW
Dimensions (L x W x H) mm	29.0 x 12.7 x 15.7
Cross Reference	

Ordering Information



ERL

Key Features:

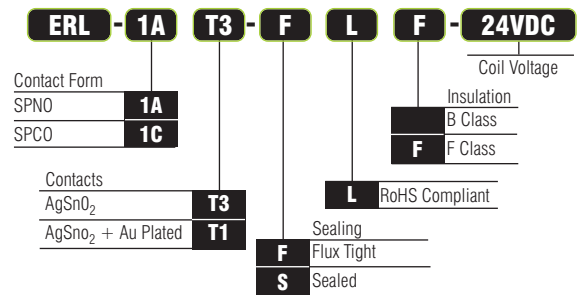
- Low height 15.7mm
- 2 pole configuration latching
- 5kV dielectric strength
- 16A switching capabilities
- Creepage distance 10mm



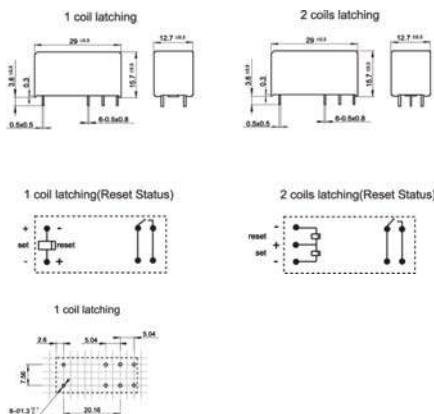
Technical Specification

Contact Form	1A, 1C
Contact Material	AgSnO ₂
Rated Load (Resistive Load)	16A 250VAC
Max. Switching Voltage	440VAC / 300VDC
Max. Switching Power	4000VA
Coil Voltage	5 to 24VDC
Nominal Operating Power	400mW, 600mW
Dimensions (L x W x H) mm	29.0 x 12.7 x 15.7
Cross Reference	

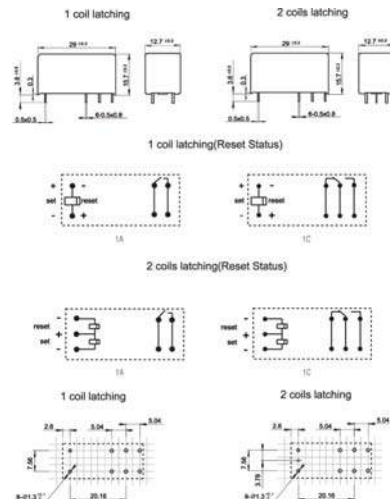
Ordering Information



Outline dimensions (mm) Wiring diagram and PC Board layout



Outline dimensions (mm) Wiring diagram and PC Board layout



SRRT

Key Features:

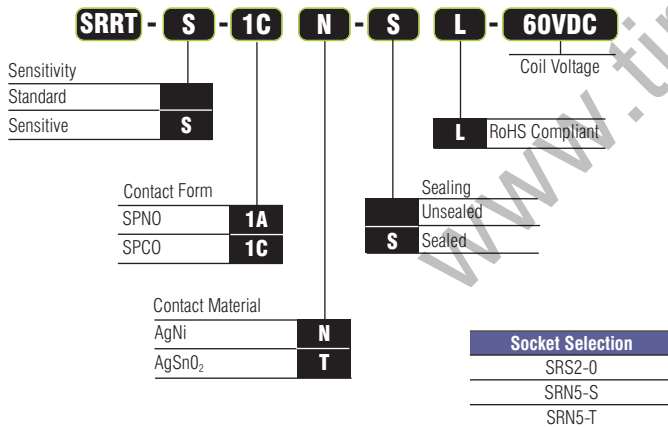
- High temperature 105°C
- Low height 15.7mm
- 16A switching capabilities
- 5kV dielectric strength
- Creepage distance 10mm
- Sealed and Unsealed types available



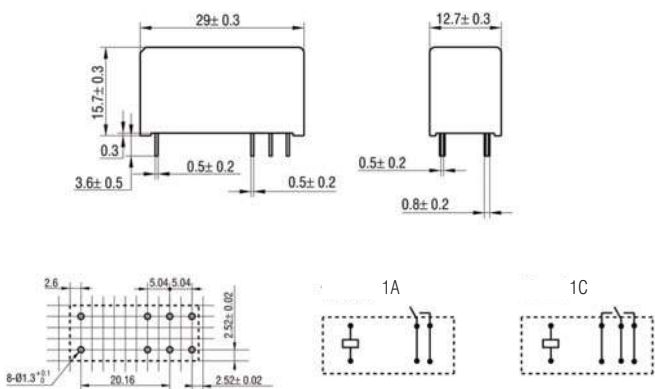
Technical Specification

Contact Form	1A, 1C
Contact Material	AgNi, AgSnO ₂
Rated Load (Resistive Load)	16A 250VAC
Max. Switching Voltage	125VDC / 440VAC
Max. Switching Power	4000VA
Coil Voltage	5 to 110VDC
Nominal Operating Power	250 to 400mW
Dimensions (L x W x H) mm	29.0 x 12.7 x 15.7
Cross Reference	Schrack RTH105 Fujitsu FTR-K1 Omron G2RL

Ordering Information



Outline dimensions (mm) Wiring diagram and PC Board layout



SRPT

Key Features:

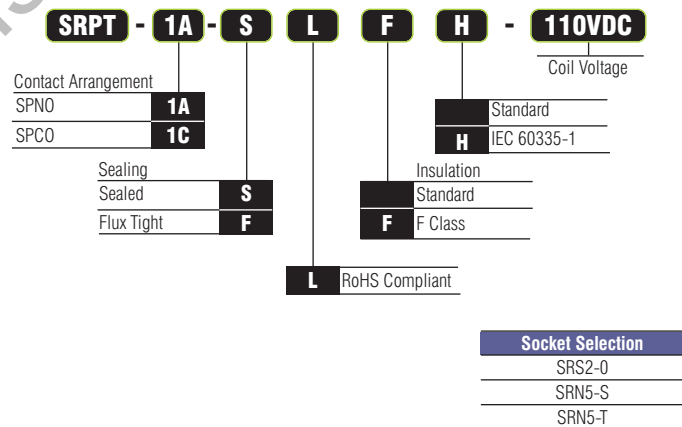
- High inrush: TV-5 80A (NO contact, at 125VAC)
- Low height 15.7mm
- 16A switching capabilities
- 5kV dielectric strength
- Creepage distance 10mm
- Sealed and Flux Tight types available



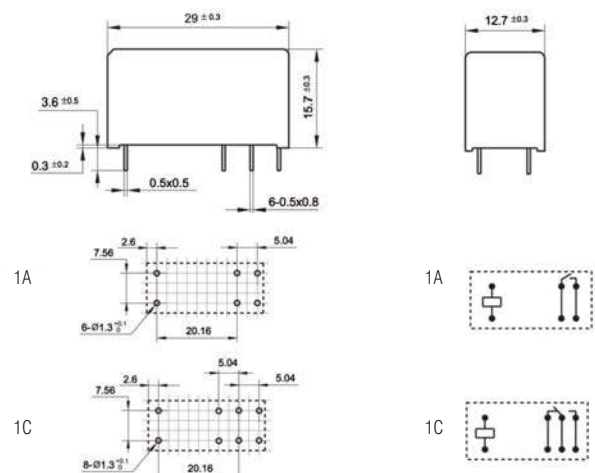
Technical Specification

Contact Form	1A, 1C
Contact Material	AgSnO ₂
Rated Load (Resistive Load)	1A: 16A 250VAC TV-5 Inrush 80A (NO contact at 125VAC) 1C: 16A 250VAC
Max. Switching Voltage	125VDC / 440VAC
Max. Switching Power	4000VA
Coil Voltage	5 to 110VDC
Nominal Operating Power	400mW
Dimensions (L x W x H) mm	29.0 x 12.7 x 15.7
Cross Reference	Schrack RT1 Inrush / RX2 Fujitsu FTR-H1 Songchuan 881/888

Ordering Information



Outline dimensions (mm) Wiring diagram and PC Board layout



SRPF

Key Features:

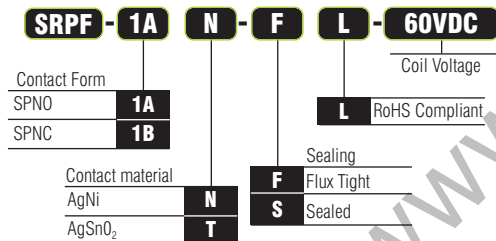
- Quick connect with low height 15.7mm
- 20A switching capabilities
- 5kV dielectric strength
- Creepage distance >8mm
- Ambient temp. up to 125°C



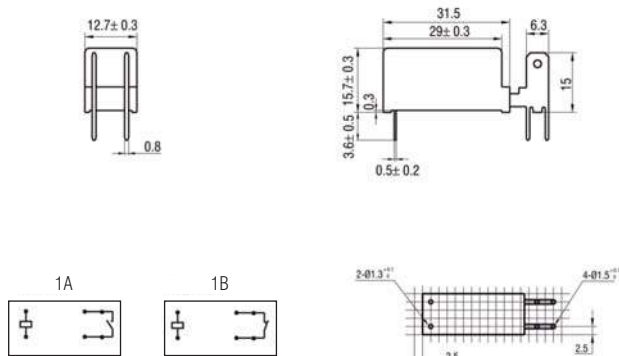
Technical Specification

Contact Form	1A, 1B
Contact Material	AgNi, AgSnO ₂
Rated Load (Resistive Load)	20A 250VAC
Max. Switching Voltage	125VDC / 440VAC
Max. Switching Power	5000VA
Coil Voltage	5 to 110VDC
Nominal Operating Power	400mW
Dimensions (L x W x H) mm	41.0 x 12.7 x 15.7
Cross Reference	Schrack RF/41063 125°C

Ordering Information



Outline dimensions (mm) Wiring diagram and PC Board layout



ERRP

Key Features:

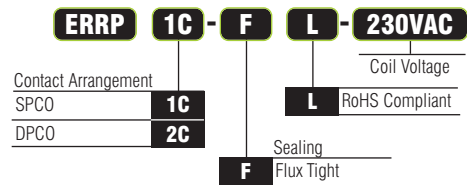
- 16A switching capabilities
- 5kV dielectric strength
- Creepage distance 8mm
- Manual test, mechanical / electrical indicator versions
- Sockets available



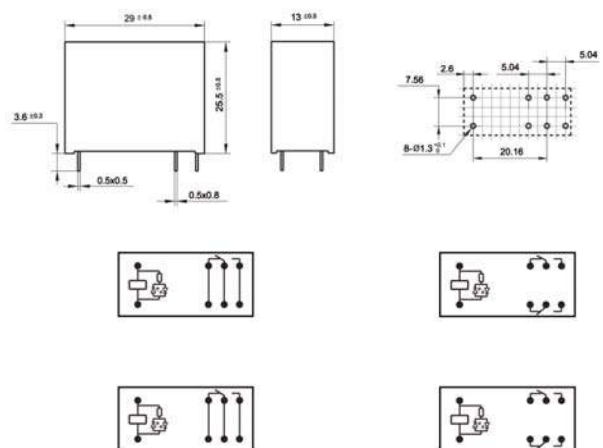
Technical Specification

Contact Form	1C	2C
Contact Material	AgNi	
Rated Load (Resistive Load)	16A 250VAC	8A 250VAC
Max. Switching Voltage	440VAC	
Max. Switching Power	4000VA	2000VA
Coil Voltage	12 to 110VDC / 24 to 230VAC	
Nominal Operating Power	400mW, 0.75VA	
Dimensions (L x W x H) mm	29.0 x 13.0 x 25.5	
Cross Reference	Schrack XT	

Ordering Information



Outline dimensions (mm) Wiring diagram and PC Board layout



ERS

Key Features:

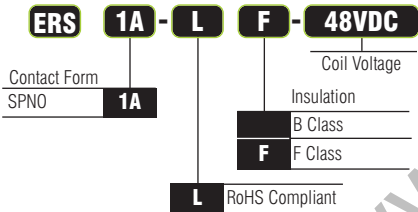
- Quick connect and PCB terminals
- 20A switching capabilities
- 5kV dielectric strength
- 10kV impulse withstand voltage
- Creepage distance 8mm



Technical Specification

Contact Form	1A
Contact Material	AgSnO ₂
Rated Load (Resistive Load)	16A 250VAC/30VDC
Max. Switching Voltage	30VDC / 277VAC
Max. Switching Power	480W / 4000VA
Coil Voltage	5 to 48VDC
Nominal Operating Power	540mW
Dimensions (L x W x H) mm	29.0 x 12.6 x 24.4
Cross Reference	Omron G5J / Panasonic JR1AF Fujitsu VR / Tyco OMIF

Ordering Information



ERP

Key Features:

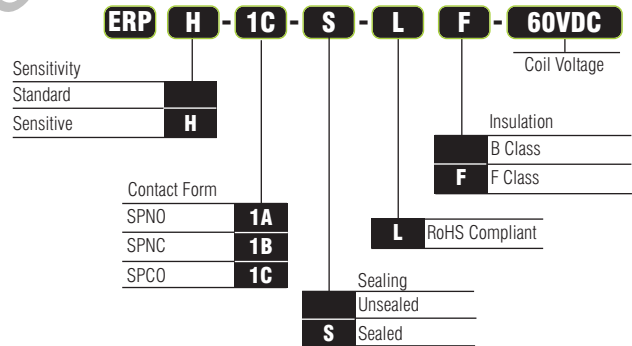
- 20A switching capabilities
- 1 pole configuration
- 4kV dielectric strength
- Sealed and Unsealed types available



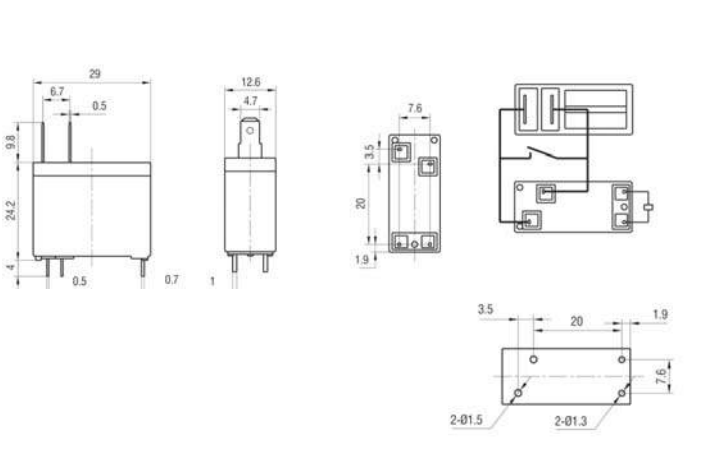
Technical Specification

Contact Form	1A, 1B, 1C
Contact Material	AgSnO ₂
Rated Load (Resistive Load)	Resistive: 16A 277VAC/24VDC Motor: 1HP 240VAC
Max. Switching Voltage	30VDC / 277VAC
Max. Switching Power	480W / 5540VA
Coil Voltage	5 to 60VDC
Nominal Operating Power	530 to 720mW
Dimensions (L x W x H) mm	29.0 x 13.0 x 26.5
Cross Reference	Omron G2R / Panasonic JR1AF Fujitsu FBR610 Tyco RKA/RKS

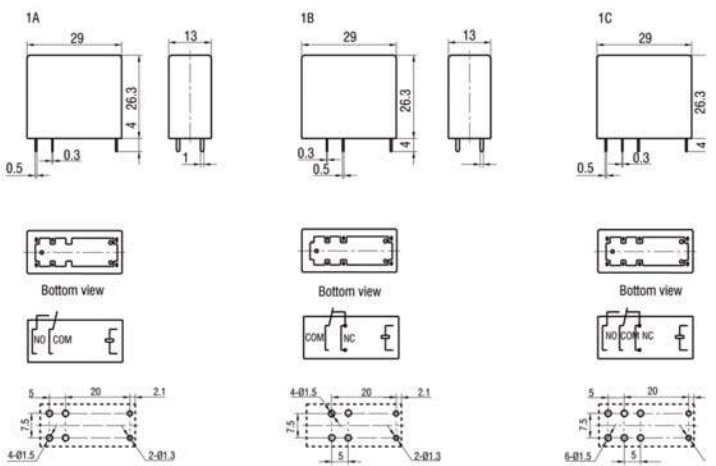
Ordering Information



Outline dimensions (mm) Wiring diagram and PC Board layout



Outline dimensions (mm) Wiring diagram and PC Board layout



ERK

Key Features:

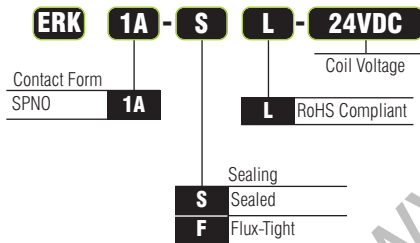
- 20A switching capabilities
- Quick connect and PCB terminals
- 5kV dielectric strength available



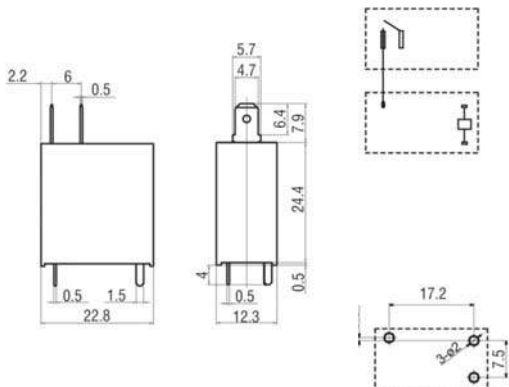
Technical Specification

Contact Form	1A
Contact Material	AgSnO ₂
Rated Load (Resistive Load)	20A 250VAC Motor: 1.5HP 250VAC
Max. Switching Voltage	30VDC / 250VAC
Max. Switching Power	480W / 5000VA
Coil Voltage	5 to 24VDC
Nominal Operating Power	500mW
Dimensions (L x W x H) mm	22.8 x 12.3 x 24.4
Cross Reference	Omron G5G Panasonic LE

Ordering Information



Outline dimensions (mm) Wiring diagram and PC Board layout



SRW

Key Features:

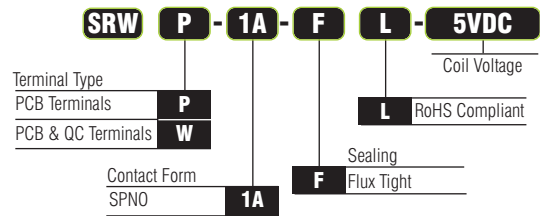
- Heavy load up to 5000VA
- Ideal for motor switching
- Withstand inrush current of 80A
- Quick connect and PCB terminals



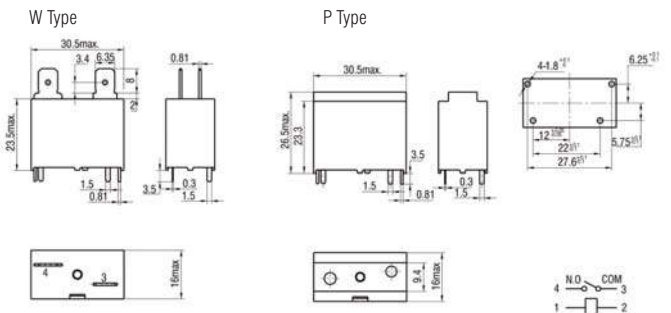
Technical Specification

Contact Form	1A
Contact Material	AgSnO ₂
Rated Load (Resistive Load)	20A 250VAC Motor: 2HP 240VAC
Max. Switching Voltage	250VAC
Max. Switching Power	6250VA
Coil Voltage	5 to 48VDC
Nominal Operating Power	900mW
Dimensions (L x W x H) mm	30.5 x 16.0 x 23.5
Cross Reference	Omron G4A Panasonic LF Tyco PCFN

Ordering Information



Outline dimensions (mm) Wiring diagram and PC Board layout



ERY

Key Features:

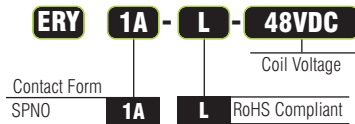
- 20A switching capabilities
- SPNO configuration
- 4.5kV dielectric strength
- Quick connect PCB terminals
- Heavy load up to 6250VA
- Ideal for motor switching



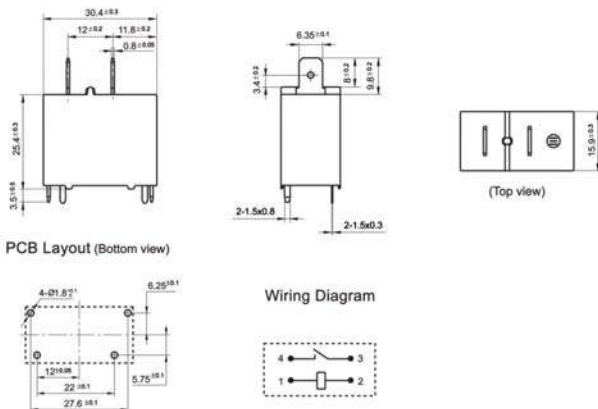
Technical Specification

Contact Form	1A
Contact Material	AgSnO ₂
Rated Load (Resistive Load)	20A 250VAC Motor: 2HP 240VAC
Max. Switching Voltage	250VAC
Max. Switching Power	6250VA
Coil Voltage	5 to 48VDC
Nominal Operating Power	900mW
Dimensions (L x W x H) mm	30.4 x 15.9 x 25.4
Cross Reference	Omron G4F / Panasonic JM Fujitsu FTR-K3 / Tyco PCF

Ordering Information



Outline dimensions (mm) Wiring diagram and PC Board layout



SRG

Key Features:

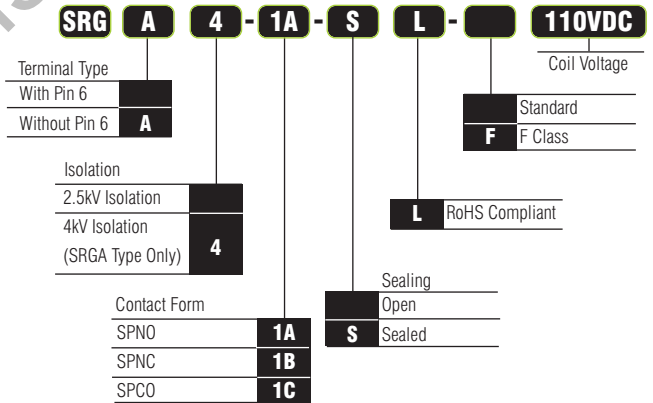
- 40A switching capabilities
- Ideal for heavy duty load
- 4kV dielectric strength
- Heavy load up to 7200VA
- Sealed and Unsealed types available
- AC coil versions available



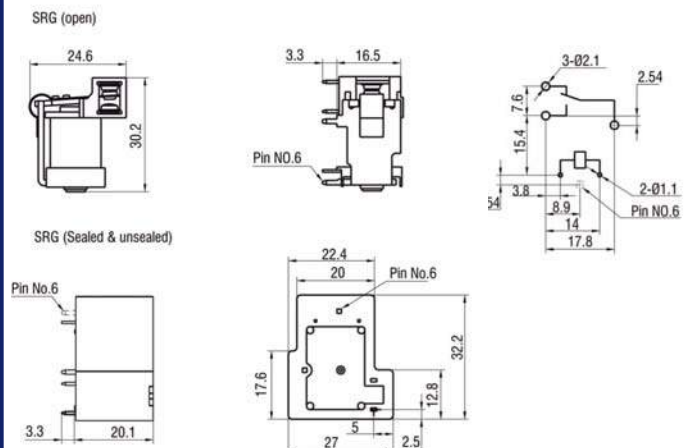
Technical Specification

Contact Form	1A, 1B, 1C
Contact Material	AgSnO ₂
Rated Load (Resistive Load)	1A: 30A 240VAC / 20A 28VDC 1B: 15A 240VAC / 10A 28VDC 1C: 20A/10A 28VDC/240VAC
Max. Switching Voltage	28VDC / 277VAC
Max. Switching Power	560W / 7200VA
Coil Voltage	5 to 110VDC / 12 to 277VAC
Nominal Operating Power	900mW, 2.0VA
Dimensions (L x W x H) mm	32.3 x 27.0 x 20.1
Cross Reference	Omron G8P / Panasonic JTN/JTV Tyco T9A/T90 OEG ORU

Ordering Information



Outline dimensions (mm) Wiring diagram and PC Board layout



ERD

Key Features:

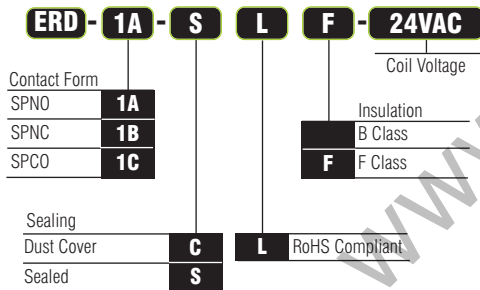
- 40A switching capabilities
- Ideal for heavy duty load
- 4kV dielectric strength
- Heavy load up to 7200VA
- Sealed and dust protected types available
- Class B & F insulation system



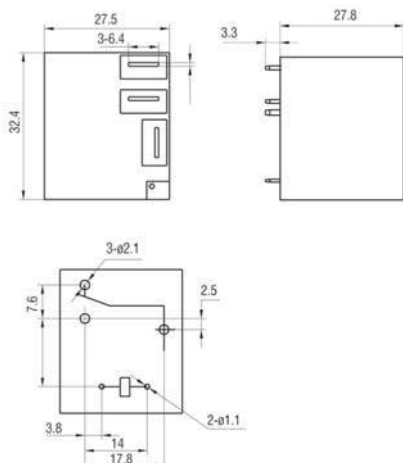
Technical Specification

Contact Form	1A, 1B, 1C
Contact Material	AgSnO ₂
Rated Load (Resistive Load)	1A: 30A 240VAC / 20A 28VDC 1B: 15A 240VAC / 10A 28VDC 1C: 20A/10A 28VDC/240VAC
Max. Switching Voltage	28VDC / 277VAC
Max. Switching Power	560W / 7200VA
Coil Voltage	5 to 110VDC / 12 to 230VAC
Nominal Operating Power	900mW, 2.0VA
Dimensions (L x W x H) mm	32.4 x 27.5 x 27.8
Cross Reference	Omron G7G/G8P / Panasonic JT Tyco T9A OEG ORU

Ordering Information



Outline dimensions (mm) Wiring diagram and PC Board layout



ERG

Key Features:

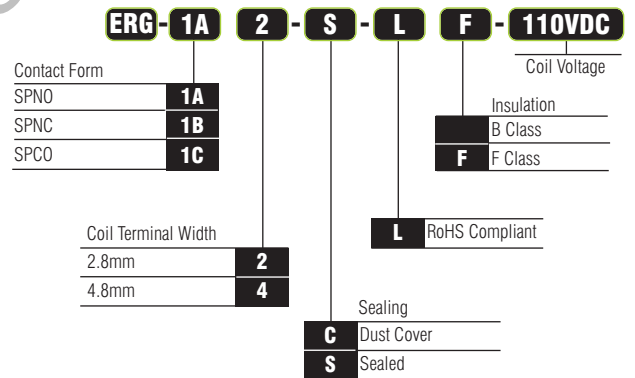
- 40A switching capabilities
- 2.5kV dielectric strength
- Heavy load up to 7200VA
- Class B & F insulation system
- Sealed and dust protected types available



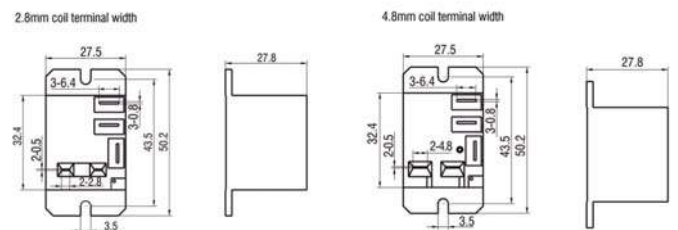
Technical Specification

Contact Form	1A, 1B, 1C
Contact Material	AgSnO ₂
Rated Load (Resistive Load)	1A: 30A 240VAC / 20A 28VDC 1B: 15A 240VAC / 10A 28VDC 1C: 20A/10A 28VDC/240VAC
Max. Switching Voltage	28VDC / 277VAC
Max. Switching Power	560W / 7200VA
Coil Voltage	5 to 110VDC / 12 to 230VAC
Nominal Operating Power	900mW, 2.0VA
Dimensions (L x W x H) mm	50.0 x 27.2 x 27.8
Cross Reference	Omron G7G/G8P / Panasonic JT Tyco T9A OEG ORU

Ordering Information



Outline dimensions (mm) Wiring diagram and PC Board layout



ERH

Key Features:

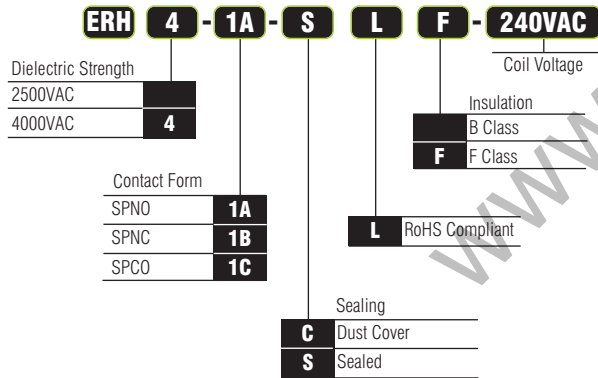
- 40A switching capabilities
- 2.5kV dielectric strength
- Heavy load up to 7200VA
- Class B & F insulation system
- Quick connect and PCB terminals
- Sealed and dust protected types available



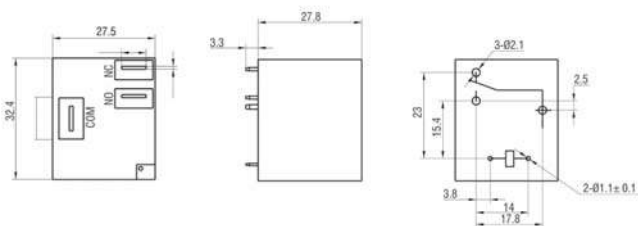
Technical Specification

Contact Form	1A, 1B, 1C
Contact Material	AgSnO ₂
Rated Load (Resistive Load)	1A: 30A 240VAC / 20A 28VDC 1B: 15A 240VAC / 10A 28VDC 1C: 20A/10A 28VDC/240VAC
Max. Switching Voltage	250VAC
Max. Switching Power	560W / 7200VA
Coil Voltage	5 to 110VDC / 12 to 277VAC
Nominal Operating Power	900mW, 2.0VA
Dimensions (L x W x H) mm	32.4 x 27.3 x 27.8
Cross Reference	Omron G7G/G8P / Panasonic JTN Tyco T9A/T90 OEG ORU

Ordering Information



Outline dimensions (mm) Wiring diagram and PC Board layout



ERJ

Key Features:

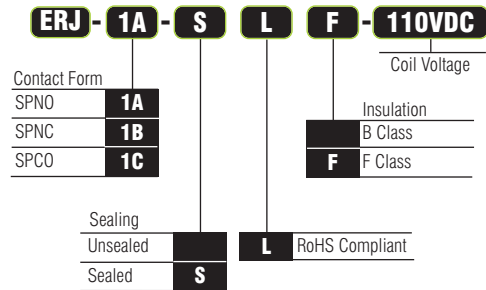
- 40A switching capabilities
- Cadmium contacts see ERD for alternative
- 2.5kV dielectric strength
- Heavy load up to 7200VA
- Quick connect and PCB terminals
- Sealed and Unsealed types available



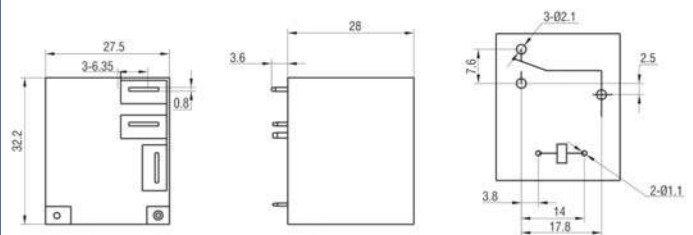
Technical Specification

Contact Form	1A, 1B, 1C
Contact Material	AgCdO
Rated Load (Resistive Load)	1A: 30A 240VAC / 20A 30VDC 1B: 15A 240VAC / 10A 30VDC 1C: 20A/10A 30VDC/240VAC
Max. Switching Voltage	30VDC / 277VAC
Max. Switching Power	600W / 7200VA
Coil Voltage	5 to 110VDC
Nominal Operating Power	900mW
Dimensions (L x W x H) mm	32.0 x 27.5 x 28.0
Cross Reference	Omron G7G / Panasonic JT Zettler AZ2100 Tyco T9A

Ordering Information



Outline dimensions (mm) Wiring diagram and PC Board layout



SRF

Key Features:

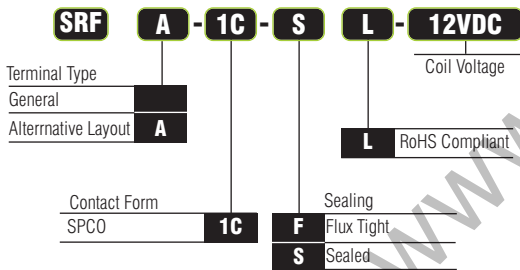
- 5A switching capability
- SPCO configuration
- Compact and light weight
- Fully sealed
- Alternative footprint



Technical Specification

Contact Form	1C
Contact Material	AgNi
Rated Load (Resistive Load)	1A 120VAC, 1A 125VAC/30VDC, 1A 240VAC/30VDC, 2A 125VAC, 3A 120VAC, 5A 120VAC
Max. Switching Voltage	30VDC / 240VAC
Max. Switching Power	30W / 240VA
Coil Voltage	3 to 24VDC
Nominal Operating Power	200mW
Dimensions (L x W x H) mm	15.7 x 11.0 x 12.0
Cross Reference	Omron G2E Fujitsu FBR211 Tyco V23101

Ordering Information



ERU

Key Features:

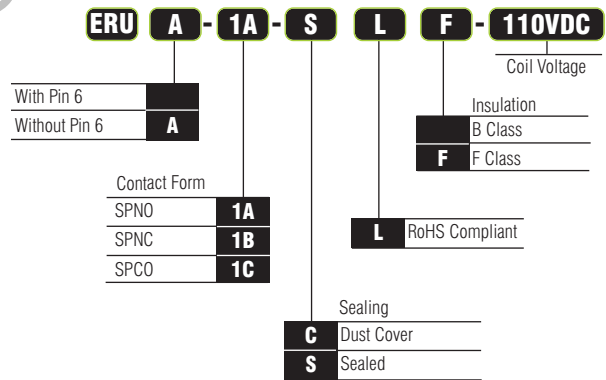
- 40A switching capabilities
- Cadmium contacts see ERD for alternative
- 2.5kV dielectric strength
- Heavy load up to 7200VA
- Class B & F insulation system



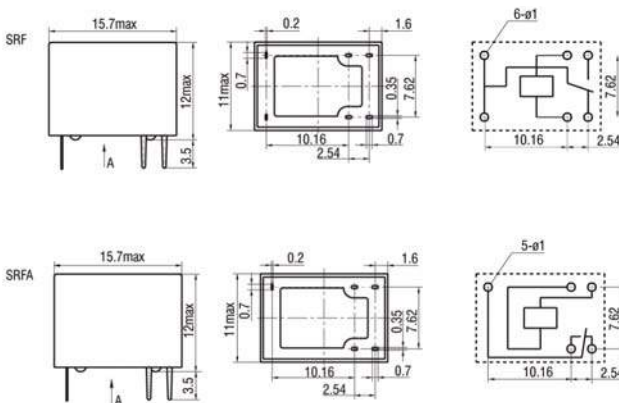
Technical Specification

Contact Form	1A, 1B, 1C
Contact Material	AgCdO
Rated Load (Resistive Load)	1A: 30A 240VAC / 20A 30VDC 1B: 15A 240VAC / 10A 30VDC 1C: 20A/10A 30VDC/240VAC
Max. Switching Voltage	30VDC / 277VAC
Max. Switching Power	600W / 7200VA
Coil Voltage	5 to 110VDC
Nominal Operating Power	900mW
Dimensions (L x W x H) mm	31.8 x 27.0 x 19.1
Cross Reference	Omron G7G / Panasonic JTN/JTV Zettler AZ2150 / AZ2151 Tyco T9A/T90

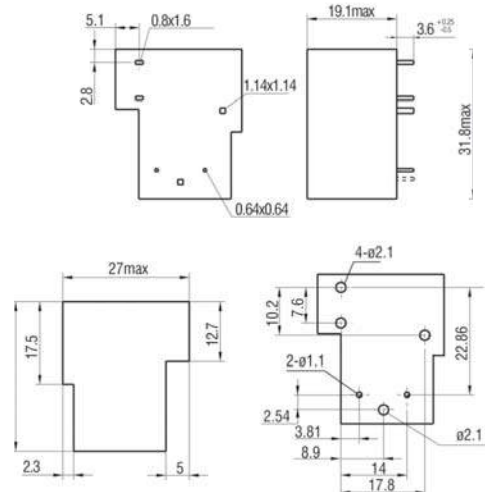
Ordering Information



Outline dimensions (mm) Wiring diagram and PC Board layout



Outline dimensions (mm) Wiring diagram and PC Board layout



ERW

Key Features:

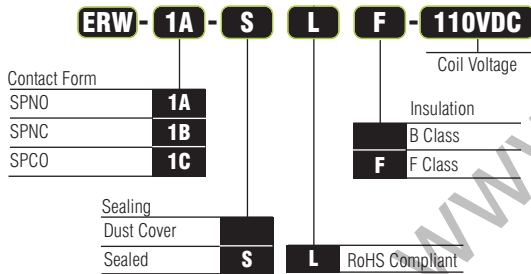
- 40A switching capabilities
- 2.5kV dielectric strength
- Heavy load up to 7200VA
- Class B & F insulation system
- Quick connect and PCB terminals
- Sealed and dust protected versions available



Technical Specification

Contact Form	1A, 1B, 1C
Contact Material	AgCdO
Rated Load (Resistive Load)	1A: 30A 240VAC / 20A 30VDC 1B: 15A 240VAC / 10A 30VDC 1C: 20A/10A 30VDC/240VAC
Max. Switching Voltage	30VDC / 277VAC
Max. Switching Power	600W / 7200VA
Coil Voltage	5 to 110VDC
Nominal Operating Power	900mW
Dimensions (L x W x H) mm	32.0 x 27.5 x 19.8
Cross Reference	Panasonic JT Zettler AZ2160 Tyco T9A/T90

Ordering Information



FY

Key Features:

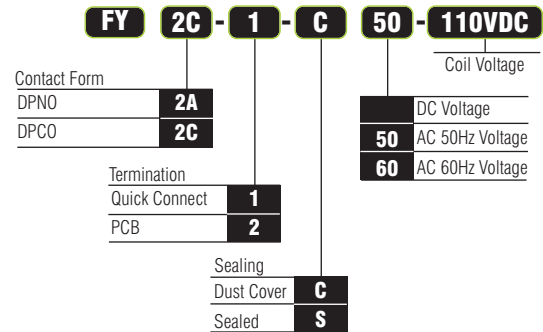
- 30A switching capabilities
- DPNO & DPCO configurations
- 4kV dielectric strength
- Sealed and dust protected versions available
- Creepage distance 8mm



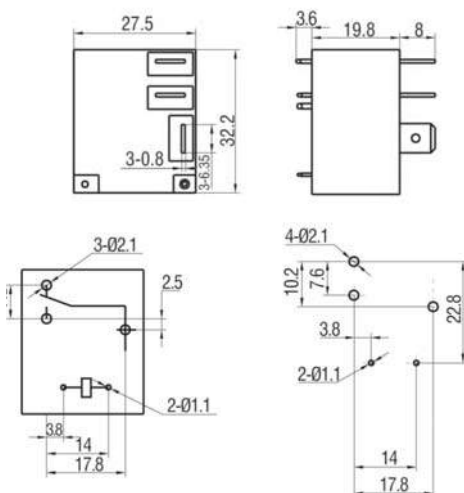
Technical Specification

Contact Form	2A, 2C
Contact Material	AgSnO ₂
Rated Load (Resistive Load)	2A: 30A 250VAC / 30A 277VAC 2C: 3A 250VAC / 3A 277VAC
Max. Switching Voltage	277VAC
Max. Switching Power	8310VA
Coil Voltage	5 to 110VDC, 24 to 277VAC
Nominal Operating Power	4.0VA, 1700mW
Dimensions (L x W x H) mm	52.0 x 33.7 x 19.3
Cross Reference	Schrack T92

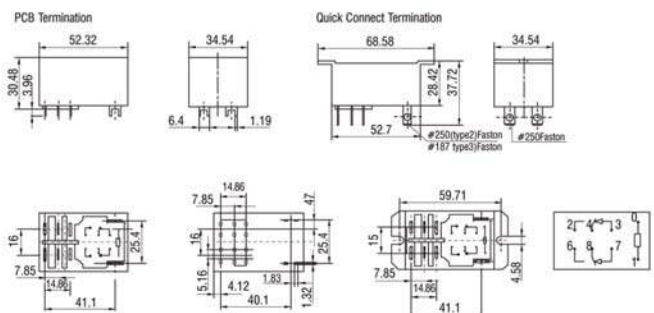
Ordering Information



Outline dimensions (mm) Wiring diagram and PC Board layout



Outline dimensions (mm) Wiring diagram and PC Board layout



SRL

Key Features:

- Switching capability up to 20A
- 6 different contact arrangements
- Open and sealed types available
- PCB terminals



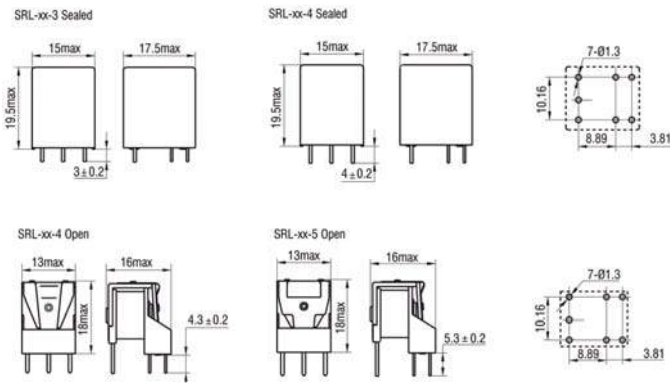
Technical Specification

Contact Form	1A, 1B, 1C, 1U, 1V, 1W
Contact Material	AgSnO ₂ , AgNi
Rated Load (Resistive Load)	1A: 15A 13VDC 1B:10A 13.5VDC 1B: 10A 13.5VDC 1C:NO/NC 15A/10A 13.5VDC 1U: 2x10A 13.5VDC 1V: 2x7A13.5VDC 1W: NO/NC 2x7A 2x5A 13.5VDC
Max. Switching Voltage	90VDC
Max. Switching Power	
Coil Voltage	6 to 24VDC
Nominal Operating Power	1.1W
Dimensions (L x W x H) mm	17.5 x 15.0 x 19.5 (Sealed)
Cross Reference	Tyco V23072

Ordering Information

SRL - 1A T 3 - S L - 24VDC		Coil Voltage
Contact Form	1A	
SPNO	1A	
SPNC	1B	L RoHS Compliant
SPCO	1C	
DPNO	1U	Sealing
DPNC	1V	O Open
DPCO	1W	S Sealed
Contact Material	T	Pin Length
AgSnO ₂	T	3 3.0mm (Sealed types only)
AgNi	N	4 4.3mm (Open types only)
		4 4.0mm (Sealed types only)
		5 5.3mm (Open types only)

Outline dimensions (mm) Wiring diagram and PC Board layout



SRA

Key Features:

- Compact and light weight
- Single and Twin relays
- Switching capability up to 25A
- Fully sealed



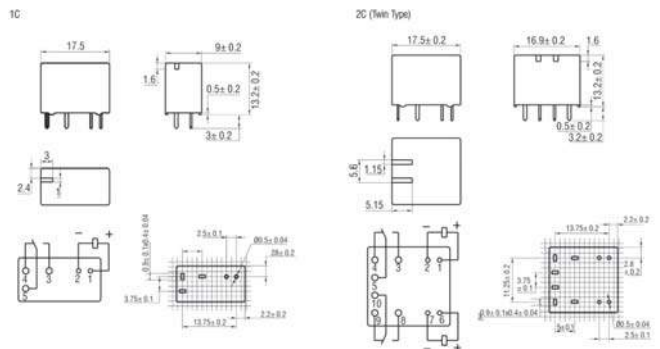
Technical Specification

Contact Form	1C, 2C
Contact Material	AgSnO ₂ , AgNi
Rated Load (Resistive Load)	25A 13.5VDC
Max. Switching Voltage	40VDC
Max. Switching Power	
Coil Voltage	12VDC
Nominal Operating Power	0.56W, 0.81W
Dimensions (L x W x H) mm	17.5 x 16.9 13.2 (Twin)
Cross Reference	Tyco V23084-C

Ordering Information

SRA L - 1C T - S L - 12VDC		Coil Voltage
Pick-Up Voltage	Standard	
Standard	L	L RoHS Compliant
Low Pick-up	L	
Contact Form		Sealing
SPCO	1C	S Sealed
2 x SPCO	2C	
Contact Material	N	AgNi
	T	AgSnO ₂

Outline dimensions (mm) Wiring diagram and PC Board layout



SRE

Key Features:

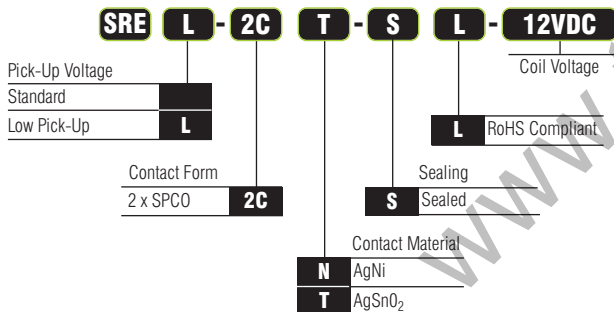
- Compact and light weight
- Twin relays
- Switching capability up to 25A
- Fully sealed



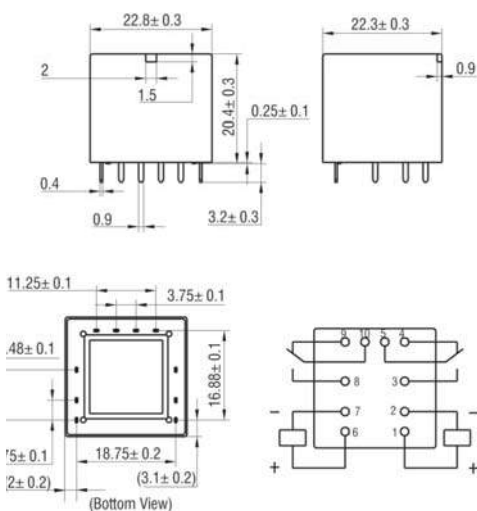
Technical Specification

Contact Form	2C
Contact Material	AgSnO ₂ , AgNi
Rated Load (Resistive Load)	25A 13.5VDC
Max. Switching Voltage	40VDC
Max. Switching Power	
Coil Voltage	12VDC
Nominal Operating Power	0.56W, 0.81W
Dimensions (L x W x H) mm	22.8 x 22.3 x 20.4
Cross Reference	Tyco V23084

Ordering Information



Outline dimensions (mm) Wiring diagram and PC Board layout



ERC

Key Features:

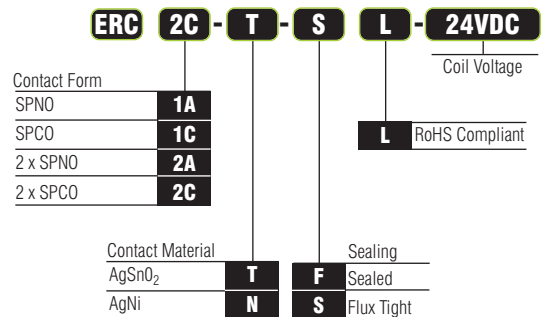
- Subminiature relay
- Low weight (single relay 4g)
- Single & twin relays
- Maximum switching current 30A
- Sealed and Flux-tight options



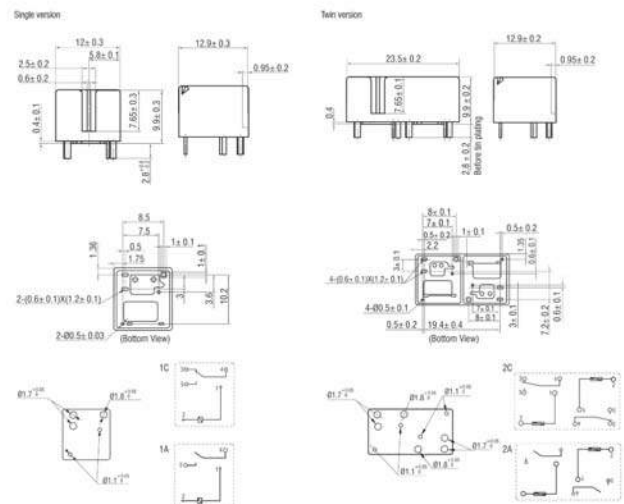
Technical Specification

Contact Form	1A, 1C, 2A, 2C
Contact Material	AgSnO ₂ , AgNi
Rated Load (Resistive Load)	20A 13.5VDC
Max. Switching Voltage	16VDC
Max. Switching Power	
Coil Voltage	6 to 24VDC
Nominal Operating Power	0.55W, 0.8W
Dimensions (L x W x H) mm	23.5 x 12.9 x 9.9 (Twin)
Cross Reference	Panasonic CP Tyco V23086

Ordering Information



Outline dimensions (mm) Wiring diagram and PC Board layout



ERA

Key Features:

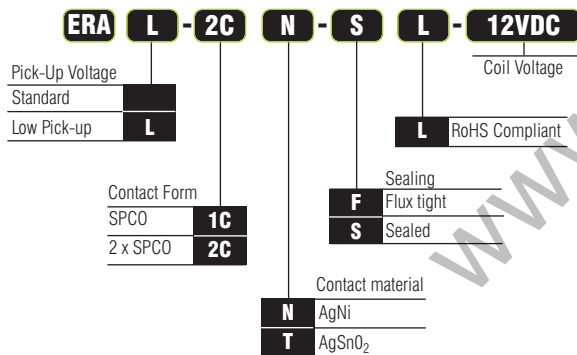
- 25A motor lock load
- Extremely small relay
- Low pick-up types available
- Single & twin relays



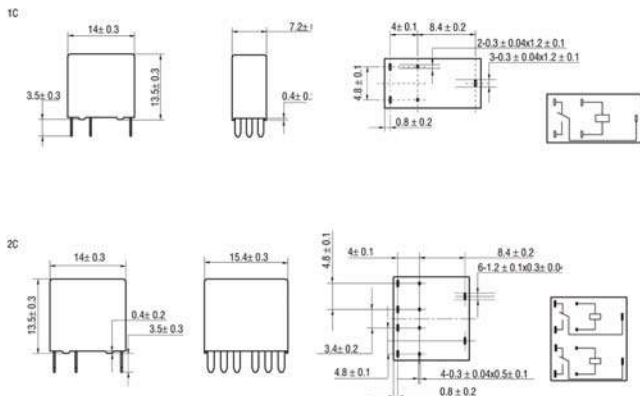
Technical Specification

Contact Form	1C, 2C
Contact Material	AgSnO ₂
Rated Load (Resistive Load)	Motor: 25A 13.5VDC
Max. Switching Voltage	16VDC
Max. Switching Power	
Coil Voltage	12VDC
Nominal Operating Power	0.64W, 0.8W
Dimensions (L x W x H) mm	14.0 x 15.4 x 13.5 (Twin Version)
Cross Reference	Single Relay: Omron G8N-1 Twin Relay: Omron G8NW

Ordering Information



Outline dimensions (mm) Wiring diagram and PC Board layout



SRMA

Key Features:

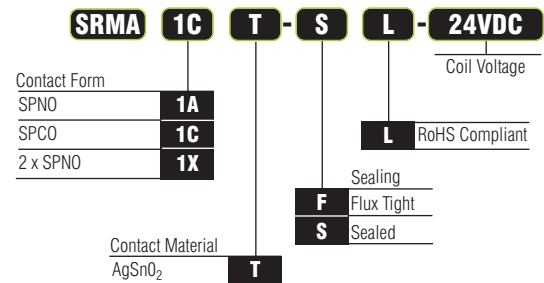
- High current capacity
- Switching capacity up to 35A (at 23°C)
- Improved heat resistance
- Extended operation range
- High resistance to vibration and shock



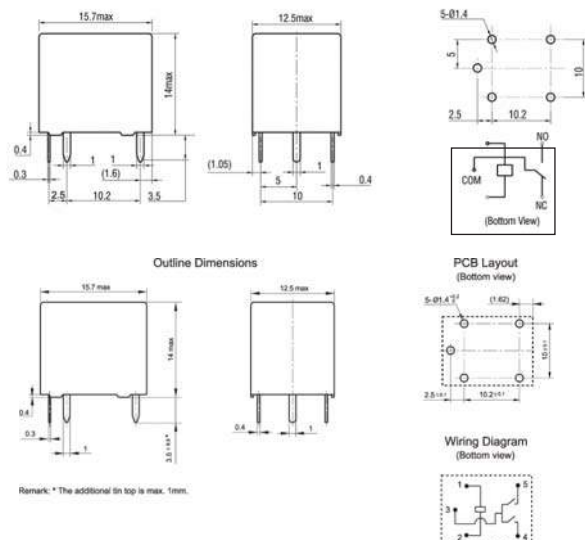
Technical Specification

Contact Form	1A, 1C	1X
Contact Material	AgSnO ₂	
Rated Load (Resistive Load)	20A 13.5VDC 30A 13.5VDC	2x 6A 13.5VDC
Max. Switching Voltage	30VDC	
Max. Switching Power		
Coil Voltage	6, 9, 10, 12, 24VDC	
Nominal Operating Power	0.6W	1.0W
Dimensions (L x W x H) mm	15.7 x 12.5 x 14.0	
Cross Reference	Omron G8QN Panasonic JJM Fujitsu FBR51/52	

Ordering Information



Outline dimensions (mm) Wiring diagram and PC Board layout



SRK

Key Features:

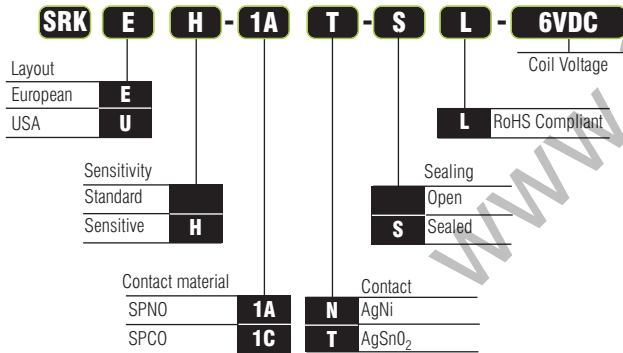
- Switching capacity up to 45A
- SPNO and SPCO contact forms
- Two pin layout choices
- Open or fully sealed types available



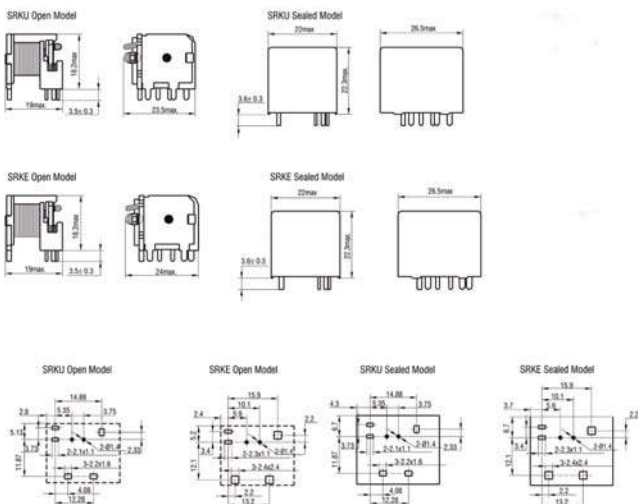
Technical Specification

Contact Form	1A, 1C
Contact Material	AgSnO ₂ , AgNi
Rated Load (Resistive Load)	1A: 45A 13.5VDC 1C: NO/NC 45A/30A 13.5VDC
Max. Switching Voltage	75VDC
Max. Switching Power	
Coil Voltage	6, 12, 24VDC
Nominal Operating Power	1.2W, 1.6W, 1.9W
Dimensions (L x W x H) mm	26.5 x 22.0 x 22.3 (Sealed)
Cross Reference	Omron G8PE Tyco V23076/V23133 Fujitsu FRL274

Ordering Information



Outline dimensions (mm) Wiring diagram and PC Board layout



SRZ

Key Features:

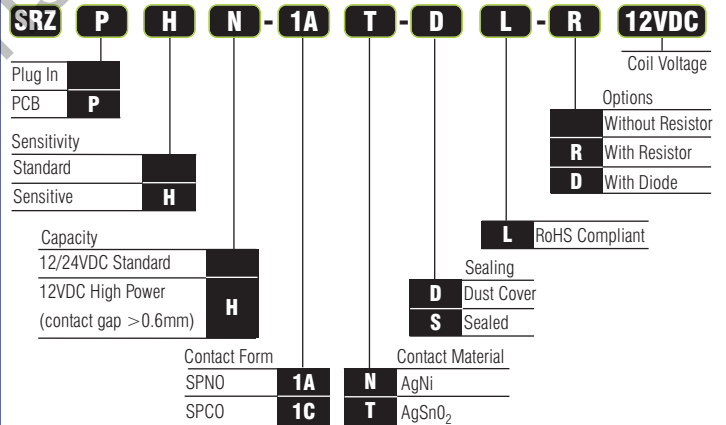
- 30A switching capability
- Ambient temperature -40°C to 125°C
- SPNO and SPCO contact forms
- Sealed and dust cover options
- Optional parallel diode or transient suppression resistor



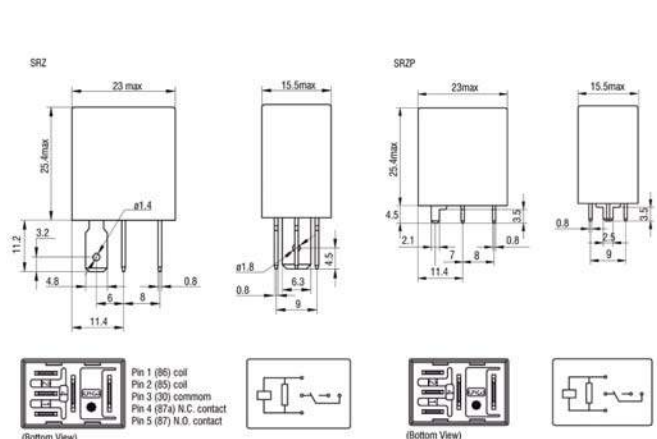
Technical Specification

Contact Form	1A, 1C
Contact Material	AgSnO ₂ , AgNi
Rated Load (Resistive Load)	1A: 30A 13.5VDC 20A 27VDC 1C: NO/NC 20A/10A 13.5VDC 20A/10A 27VDC
Max. Switching Voltage	27VDC
Max. Switching Power	
Coil Voltage	12, 24VDC
Nominal Operating Power	1.2W, 1.3W, 1.4W, 1.6W, 1.8W
Dimensions (L x W x H) mm	23.0 x 15.5 x 25.4
Cross Reference	Omron G8HN Panasonic CM Tyco V23074-A

Ordering Information



Outline dimensions (mm) Wiring diagram and PC Board layout



SRJ

Key Features:

- 40A switching capability
- Various mounting terminations available
- SPNO and SPCO contact forms
- Sealed and dust cover options
- Optional parallel diode or resistor



Technical Specification

Contact Form	1A, 1C
Contact Material	AgSnO ₂ , AgNi
Rated Load (Resistive Load)	1A: 40A 1.5VDC 20A 27VDC 1C: NO/NC 20A/10A 13.5VDC 20A/10 27VDC
Max. Switching Voltage	80VDC
Max. Switching Power	
Coil Voltage	6, 12, 24VDC
Nominal Operating Power	1.6W, 1.7W, 1.8W, 1.9W
Dimensions (L x W x H) mm	26.2 x 26.2 x 23.7
Cross Reference	Omron G8JN Panasonic CB Tyco V23134-A/B, V23234-A/B

Ordering Information

Capacity	Standard (AgNi)	High Power (AgSnO ₂)	Coil Voltage
Contact Form	SPNO	SPCO	Construction
QC Terminal	PCB Terminals	Shrouded Terminals	Plastic Bracket
Steel Bracket			

SRNH50/70

Key Features:

- 50/70A switching capability
- Ambient temperature -40°C to 125°C
- Optional transient suppression resistor
- SPNO and SPCO contact forms
- Sealed and dust cover options



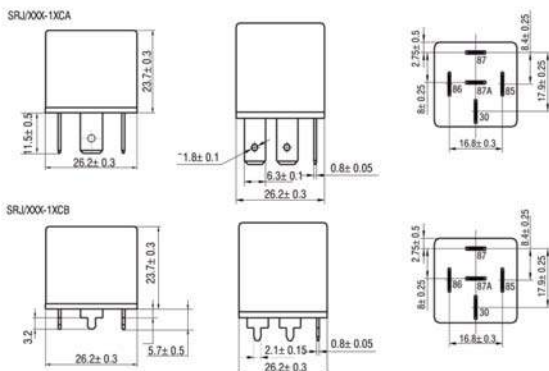
Technical Specification

Contact Form	1A, 1C
Contact Material	AgSnO ₂
Rated Load (Resistive Load)	1A: 50A 13.5VDC 40A 27VDC 1C: NO/NC 50A/30A 13.5VDC 40A/10A 27VDC 70A 13.5VDC 40A 27VDC
Max. Switching Voltage	50VDC
Max. Switching Power	
Coil Voltage	6, 12, 24VDC
Nominal Operating Power	1.6W, 1.8W, 2.0W, 2.2W
Dimensions (L x W x H) mm	26.2 x 26.2 x 25
Cross Reference	Omron G8JR Panasonic CB Tyco V23134-J / V23169-J

Ordering Information

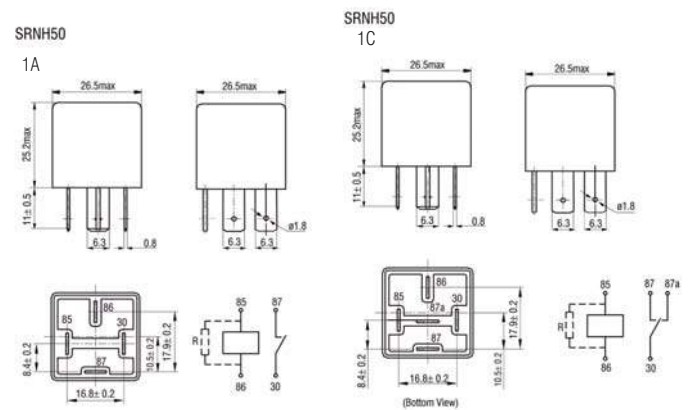
Capacity	Standard	High Power	Coil Voltage
Contact Form	SPNO	SPCO (SRNH50 only)	Contact Material
Sealing	Dust Cover	Sealed	Dust Cover / Plastic Bracket
Dust Cover / Steel Bracket	Sealed / Plastic Bracket	Sealed / Steel Bracket	

Outline dimensions (mm) Wiring diagram and PC Board layout



Please refer to the full technical datasheet for the outline dimensions and wiring diagrams.

Outline dimensions (mm) Wiring diagram and PC Board layout



Please refer to the full technical datasheet for the outline dimensions and wiring diagrams for the SRNH70, SRNH50 Pastic bracket, SRNH50 Metal bracket, SRNH70 Plastic bracket & SRNH70 Metal Bracket

EPR

Key Features:

- Switching capacity up to 8A
- 5kV dielectric strength between coil and contacts
- LED indicator
- Diode available for DC type
- PCB & Quick Connect types available



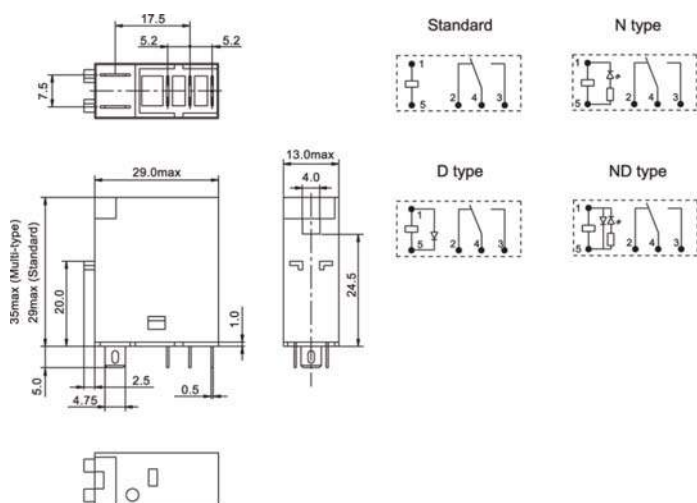
Technical Specification

Contact Form	1A, 1C	2A, 2C
Contact Material	AgSnO ₂	
Rated Load (Resistive Load)	10A 250VAC / 30VDC	5A 250VAC / 30VDC
Max. Switching Voltage	30VDC / 250VAC	
Max. Switching Power	300W / 2500VA	150W / 1250VA
Coil Voltage	6 to 110VDC / 12 to 240VAC	
Nominal Operating Power	530mW	
Dimensions (L x W x H) mm	29.0 x 13.0 x 29.0	
Cross Reference	Omron G2R-SN	

Ordering Information

EPR - 2C		T	XX - 110VDC	
Contact Form			Coil Voltage	
SPNO	1A		XX	No Indication or Diode
SPCO	1C		XN	With LED
2PNO	2A		XD	With Diode
2PCO	2C		ND	With LED & Diode
Contact Material		T		
AgSnO ₂				

Outline dimensions (mm) Wiring diagram and PC Board layout



ERRP

Key Features:

- 16A switching capabilities
- 5kV dielectric strength
- Creepage distance 8mm
- Manual test, mechanical / electrical indicator versions
- Sockets available



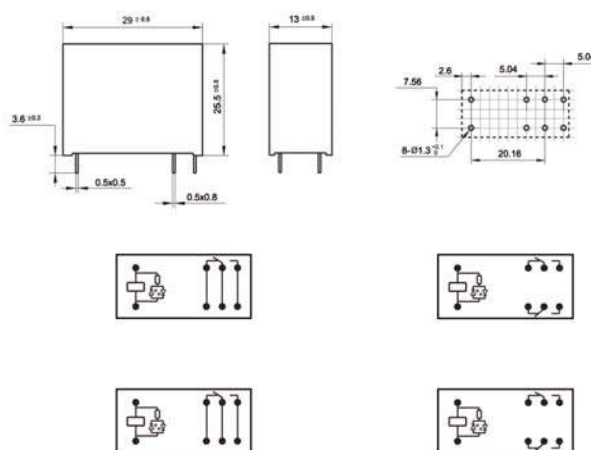
Technical Specification

Contact Form	1C	2C
Contact Material	AgNi	
Rated Load (Resistive Load)	16A 250VAC	8A 250VAC
Max. Switching Voltage	440VAC	
Max. Switching Power	4000VA	2000VA
Coil Voltage	12 to 110VDC / 24 to 230VAC	
Nominal Operating Power	400mW, 0.75VA	
Dimensions (L x W x H) mm	29.0 x 13.0 x 25.5	
Cross Reference	Schrack XT	

Ordering Information

ERRP 1C - F		L - 230VAC
Contact Arrangement		Coil Voltage
SPCO	1C	L RoHS Compliant
DPCO	2C	
		Sealing
	F	Flux Tight

Outline dimensions (mm) Wiring diagram and PC Board layout



ETS

Key Features:

- Slim size (width 5mm)
- 4kV dielectric strength between coil and contacts
- Surge voltage up to 6kV between coil and contacts
- High sensitivity: 170mW
- SPNO and SPCO contact forms



Technical Specification

Contact Form	1A, 1C
Contact Material	AgNi, AgSnO ₂
Rated Load (Resistive Load)	6A 250VAC 6A 30VDC
Max. Switching Voltage	125VDC / 400VAC
Max. Switching Power	180W / 1500VA
Coil Voltage	5 to 60VDC
Nominal Operating Power	170mW (48VDC and 60 VDC: 210mW)
Dimensions (L x W x H) mm	28.0 x 5.0 x 15.0
Cross Reference	Panasonic PE Fujitsu FTR-LY Tyco V23092

Ordering Information

ETS - 1A N - S L - 12VDC

Contact Form

SPNO	1A
SPCO	1C

Coil Voltage

L RoHS Compliant

Contact Material

AgNi	N
AgNi + Au Plated	N1
AgSnO ₂	T

Sealing

S Sealed

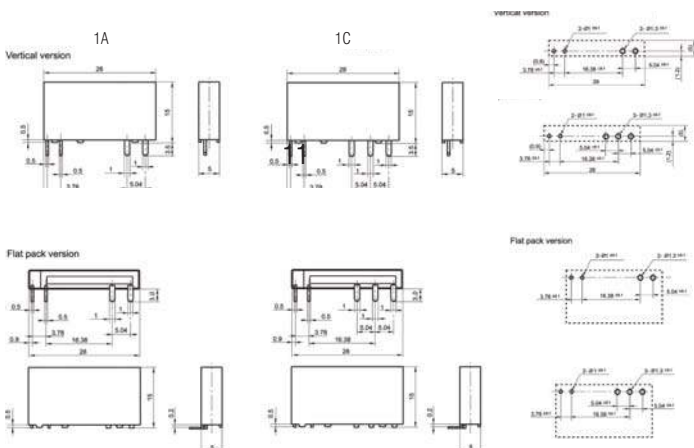
Vertical

B Flat Pack

Socket Selection

SRSI	SRSC
------	------

Outline dimensions (mm) Wiring diagram and PC Board layout



HY

Key Features:

- Switching capacity up to 7A
- 1.5kV dielectric strength between coil and contacts
- Various terminals, test button available
- 2 to 4 pole configurations
- Sockets available



Technical Specification

Contact Form	2C, 3C, 4C
Contact Material	Ag Alloy
Rated Load (Resistive Load)	2C: 3C: 7A 250VAC / 30VDC 4C: 5A 250VAC / 30VDC
Max. Switching Voltage	30VDC / 250VDC
Max. Switching Power	2C, 3C: 210W/1750VA 4C: 150W/1250VA
Coil Voltage	5 to 110VDC / 6 to 240VAC
Nominal Operating Power	0.9W to 1.1W, 1.2VA to 1.8VA
Dimensions (L x W x H) mm	28.0 x 21.5 x 36.0
Cross Reference	Omron MY2/3/4 / Finder 55.32/55.33/55.34 Schneider RXM2/4 Schrack ZT

Ordering Information

HY 4 1 PN - 24DC

Contact arrangement

2PCO	2
3PCO	3
4PCO	4

Coil Voltage

Mounting

Plug-In	1
PCB	2

Socket Selection

2 Pole	3 Pole	4 Pole
SRH2-0		
SRN2-D	SRN3-D	SRN4-D
SRN2-S		SRN4-S
SRN2-C	SRN3-C	SRN4-C
SRP2-0		SRP4-0

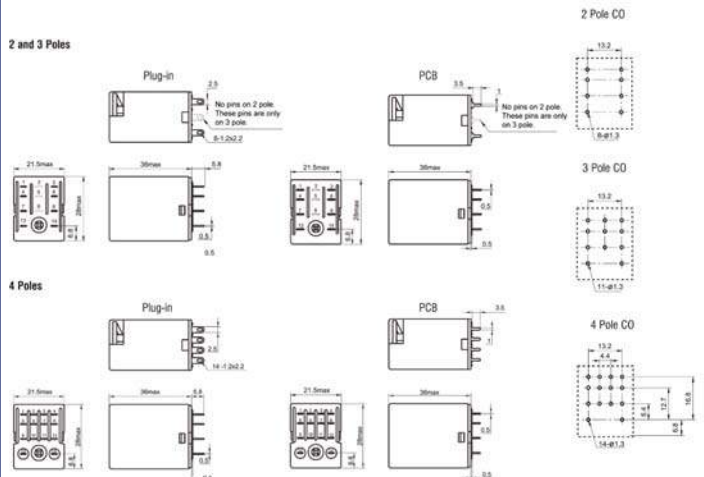
Mechanical indicator / test latch / LED **PN**

Mechanical indicator **XN**

Test latch and flag **PX**

No indication or test **XX**

Outline dimensions (mm) Wiring diagram and PC Board layout



QY

Key Features:

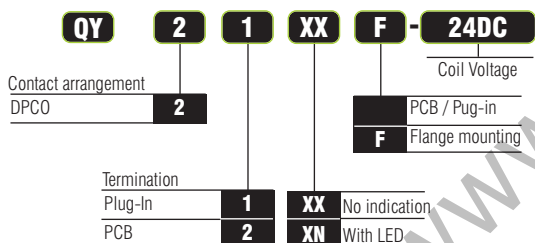
- 10A switching capability
- 1.5kV dielectric strength between coil and contacts
- Plug-in, PCB or flange mountable
- Sockets available
- Conform to the CE low voltage directive



Technical Specification

Contact Form	2C
Contact Material	AgCe
Rated Load (Resistive Load)	10A 30VDC / 250VAC
Max. Switching Voltage	30VDC / 250VAC
Max. Switching Power	300W / 2500VA
Coil Voltage	5 to 220VDC, 6 to 240VAC
Nominal Operating Power	0.9W to 1.1W, 1.2VA to 1.8VA
Dimensions (L x W x H) mm	28.0 x 21.5 x 35.0
Cross Reference	Omron LY2 / Panasonic HL Fujitsu FRL260 Schrack TM

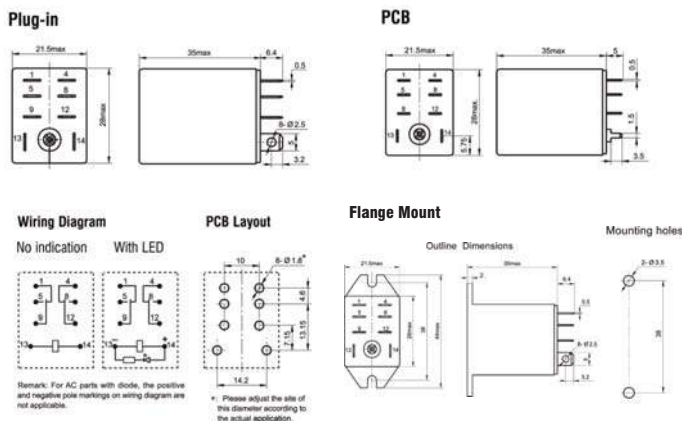
Ordering Information



Socket Selection

SRH2-C
SRP2-0

Outline dimensions (mm) Wiring diagram and PC Board layout



RS

Key Features:

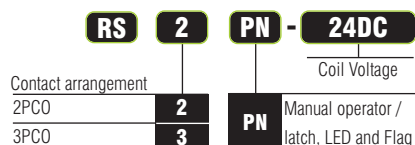
- 10A Switching capability
- Long endurance (min. 100,000 OPS)
- Industry standard 8 or 11 round terminals
- Sockets available



Technical Specification

Contact Form	2C, 3C
Contact Material	AgSnO ₂
Rated Load (Resistive Load)	2C: 10A 250VAC / 30VDC 3C: NO: 10A 250VAC / 30VDC NC: 5A 250VAC / 30VDC
Max. Switching Voltage	30VDC / 250VAC
Max. Switching Power	300W / 2500VA
Coil Voltage	6 to 110VDC, 6 to 230VAC
Nominal Operating Power	1.5W, 2.7VA
Dimensions (L x W x H) mm	35.5 x 35.5 x 55.3
Cross Reference	Omron MK2/3 / Finder 60.12/60.13 Schneider RUM C2/CE Schrack MT

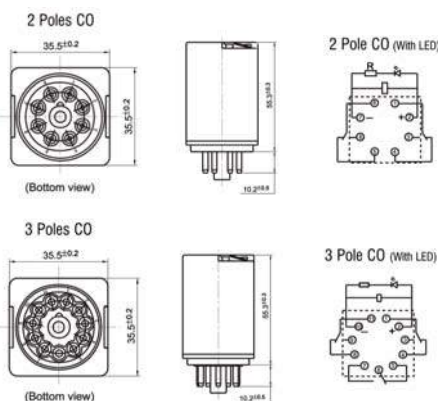
Ordering Information



Socket Selection

2 Pole	3 Pole
SRP8	SRP11
SRR8	SRR11
SRR8M	SRR11M

Outline dimensions (mm) Wiring diagram and PC Board layout



HYA

8 Series

Key Features:

- Switching capacity up to 30A
- 4kV dielectric strength between coil and contacts
- 3mm contact gap available
- Class F insulation
- Heavy load up to 8310VA



Technical Specification

Contact Form	1A, 2A
Contact Material	AgSnO ₂
Rated Load (Resistive Load)	1A: 30A 250VAC/30A 277VAC 2A: 25A 250VAC/25A 277VAC
Max. Switching Voltage	277VAC
Max. Switching Power	8310VA
Coil Voltage	3 to 220VDC, 6 to 220VAC
Nominal Operating Power	1.9W, 2.7VA
Dimensions (L x W x H) mm	52.5 x 35.5 x 47.0
Cross Reference	Omron G7L Panasonic HE

Ordering Information

HY	1A	1	24DC
		Coil Voltage	
Contact arrangement		Mounting	
SPNO	1A	1	Solder Lug/push-on
DPNO	2A	2	PCB

Key Features:

- Switching capacity up to 35A
- Chassis Mount with 0.250" push-on terminals
- Insulation F class
- Heavy load up to 9000VA



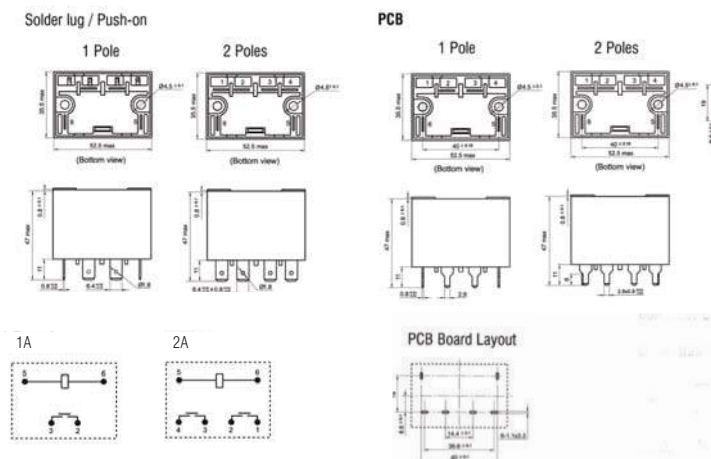
Technical Specification

Contact Form	1A, 1C, 2A, 2C, 3A, 3C
Contact Material	Ag Alloy
Rated Load (Resistive Load)	30A 277VAC 30A 28VDC 15A 600VAC
Max. Switching Voltage	600VAC
Max. Switching Power	840W / 9000VA
Coil Voltage	6 to 220VDC, 6 to 240VAC
Nominal Operating Power	2.4 to 2.6W / 2.4 to 4.6VA
Dimensions (L x W x H) mm	35.6 x 54.2 x 73.6
Cross Reference	Songchuan 735-3

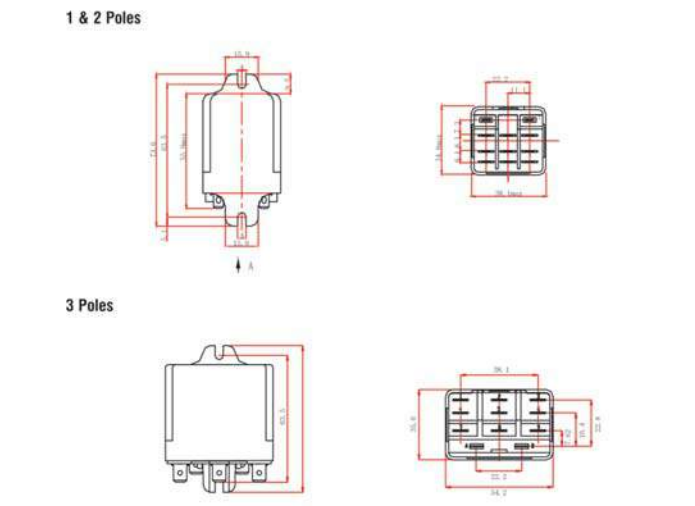
Ordering Information

8	31	Z	XX	24DC
		Coil Voltage		
1 Pole	31			
2 Pole	22			
3 Pole	23			
		XX	Clear Case	
Contact Arrangement				
N/O	X			
C/O	Z			

Outline dimensions (mm) Wiring diagram and PC Board layout



Outline dimensions (mm) Wiring diagram and PC Board layout



PRW

Key Features:

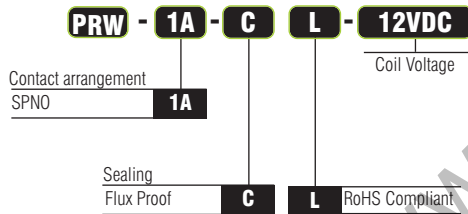
- 31A switching capability
- For photovoltaic power generation systems
- 1.5mm contact gap
- Clearance distance: contact & coil > 6.4mm
- Creepage distance > 8mm
- VDE Approved



Technical Specification

Contact Form	1A
Contact Material	AgSnO ₂
Rated Load (Resistive Load)	Resistive 26A 250VAC Inductive: 31A 250VAC
Max. Switching Voltage	277VAC
Max. Switching Power	7750VA
Coil Voltage	9 to 24VDC
Nominal Operating Power	1.4W
Dimensions (L x W x H) mm	30.4 x 15.9 x 23.3
Cross Reference	Omron G4F / Panasonic JM Fujitsu FTR-K3/VH Tyco PCFN

Ordering Information



PQY

Key Features:

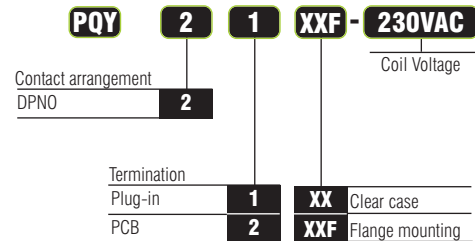
- 10A switching capability
- 1.5kV dielectric strength
- 2.0mm contact gap
- Plug-in and PCB versions available



Technical Specification

Contact Form	2A
Contact Material	AgCe
Rated Load (Resistive Load)	10A 250VAC / 30VDC
Max. Switching Voltage	30VDC / 250VAC
Max. Switching Power	30W / 2500VA
Coil Voltage	5 to 220VDC, 6 to 240VAC
Nominal Operating Power	0.9W to 1.1W, 1.2VA to 1.8VA
Dimensions (L x W x H) mm	28.0 x 21.5 x 35.0
Cross Reference	Omron LY2 Panasonic HL Fujitsu FRL260

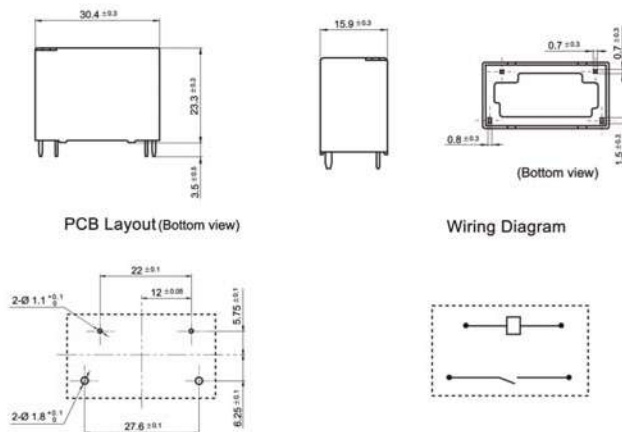
Ordering Information



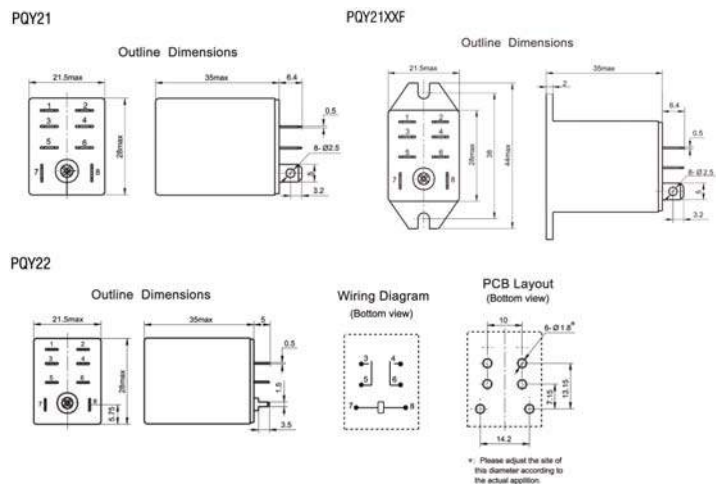
Socket Selection

- SRH2-C
- SRP2-0

Outline dimensions (mm) Wiring diagram and PC Board layout



Outline dimensions (mm) Wiring diagram and PC Board layout



PRR

Key Features:

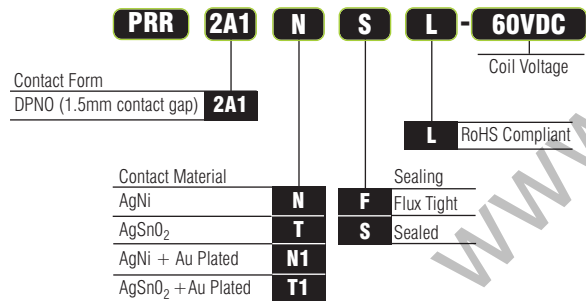
- 10A switching capability
- 5kV dielectric strength
- 1.5mm contact gap
- Sealed and Flux Tight versions available



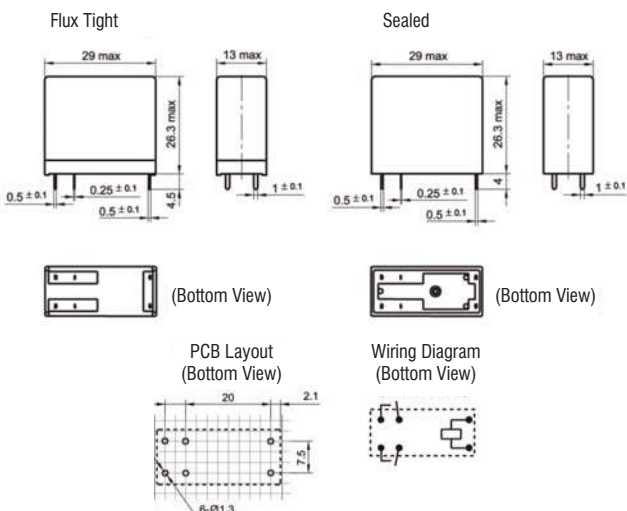
Technical Specification

Contact Form	2A
Contact Material	AgSnO ₂
Rated Load (Resistive Load)	10A 250VAC / 8A 30VDC
Max. Switching Voltage	250VAC / 30VDC
Max. Switching Power	240W / 2500VA
Coil Voltage	3 to 60VDC
Nominal Operating Power	800mW
Dimensions (L x W x H) mm	29.0 x 13.0 x 26.3
Cross Reference	Omron G2RG / Panasonic JR2/JR2A Fujitsu FBR-F1/VSB Schrack RP11/2

Ordering Information



Outline dimensions (mm) Wiring diagram and PC Board layout



PEY

Key Features:

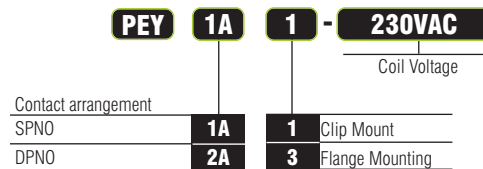
- 30A switching capability
- 4kV dielectric strength
- Class F insulation
- 3.0mm contact gap



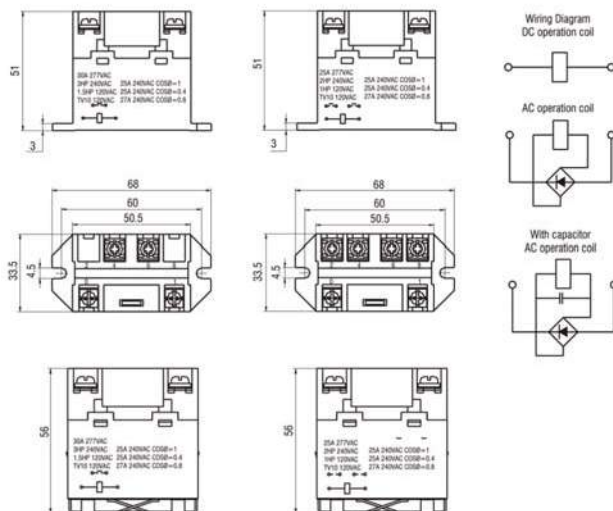
Technical Specification

Contact Form	1A, 2A
Contact Material	AgSnO ₂
Rated Load (Resistive Load)	1A: 30A 240VAC/30A 277VAC 2A: 25A 240VAC/25A 277VAC
Max. Switching Voltage	277VAC
Max. Switching Power	8310VA / 6925VA
Coil Voltage	3VDC to 200VDC, 6VAC to 220VAC/240VAC
Nominal Operating Power	1.9W, 2.7VA
Dimensions (L x W x H) mm	50.5 x 34.5 x 51.0
Cross Reference	Omron G7L Panasonic HE

Ordering Information



Outline dimensions (mm) Wiring diagram and PC Board layout



PHY

Key Features:

- 30A switching capability
- 4kV dielectric strength
- Class F insulation
- 3.0mm contact gap



Technical Specification

Contact Form	1A, 2A
Contact Material	AgSnO ₂
Rated Load (Resistive Load)	1A: 30A 240VAC/30A 277VAC 2A: 25A 240VAC/25A 277VAC
Max. Switching Voltage	277VAC
Max. Switching Power	8310VA / 6925VA
Coil Voltage	3 to 200VDC, 6 to 220/240VAC
Nominal Operating Power	1.9W, 2.7VA
Dimensions (L x W x H) mm	52.5 x 35.5 x 47.0
Cross Reference	Omron G7L Panasonic HE

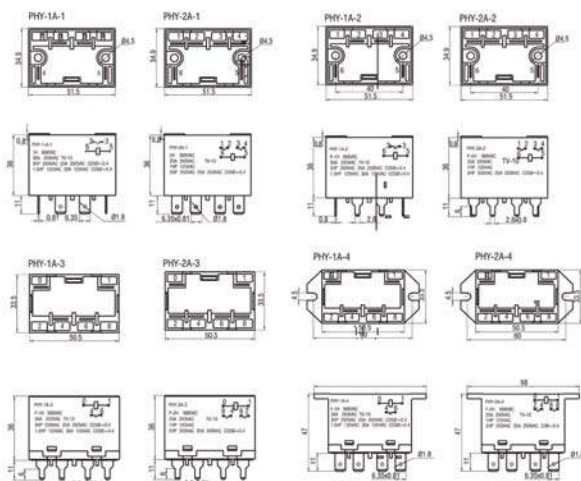
Ordering Information

PHY 1A 1 - 230VAC
Coil Voltage

Contact arrangement

SPNO	1A	1	Solder Lug / push-on
DPNO	2A	2	PCB
		3	PCB (alternative pin layout)
		4	Flange Mounting

Outline dimensions (mm) Wiring diagram and PC Board layout



PSY(H)

Key Features:

- 55A to 80A switching capability (80A SPNO only)
- 3mm contact gap
- F Class insulation
- 4kV dielectric strength (between coil & contact)
- For photovoltaic power generation systems



Technical Specification

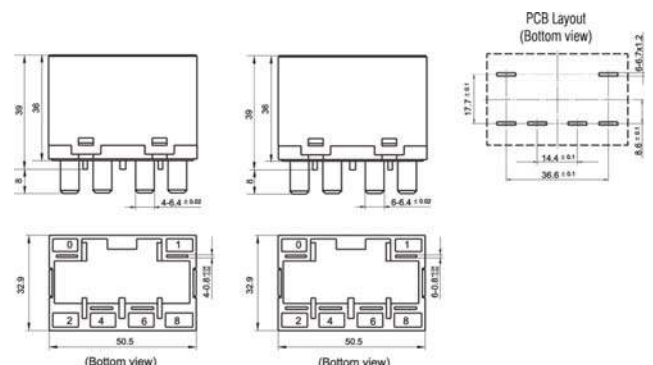
Contact Form	1A	2A
Contact Material	AgSnO ₂	
Rated Load (Resistive Load)	1A / 2A: 50A / 250VAC 1A (H Type): 80A / 60VDC / 250VAC	
Max. Switching Voltage	60VDC / 277VAC	
Max. Switching Power	55A (80A 1A only)	
Coil Voltage	48VDC	
Nominal Operating Power	1.9W	
Dimensions (L x W x H) mm	50.5 x 32.9 x 36.0	
Cross Reference		

Ordering Information

PSY 2A T F - 48VDC
Coil Voltage

Standard		F	F Class Insulation
High Power 80A	H		
DPNO up to 55A	2A		
SPNO up to 80A (H Type)	1A		
		T	AgSnO ₂

Outline dimensions (mm) Wiring diagram and PC Board layout

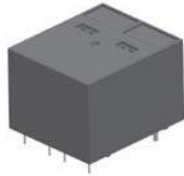


Please refer to the full technical datasheet for the outline dimensions and wiring diagrams

DYB

Key Features:

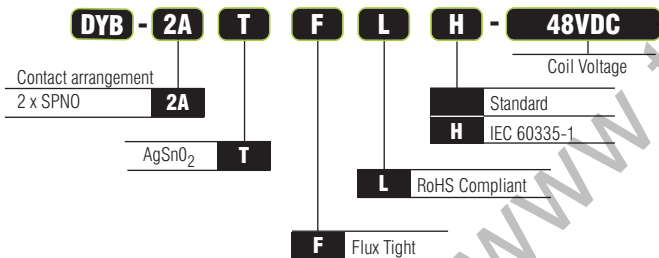
- High voltage direct current relay, 10A 450VDC
- 5kV Dielectric strength (between coil and contacts)
- Class F insulation
- High Temperature Plastics available GWT 850°C in accordance with IEC 60335-1
- Sockets Available



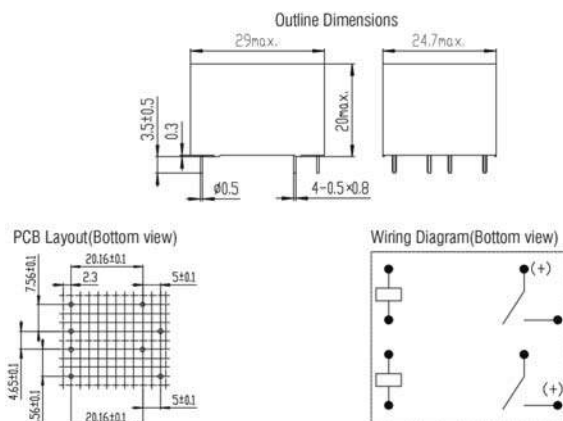
Technical Specification

Contact Form	2A (2xSPNO)
Contact Material	AgSnO ₂
Rated Load (Resistive Load)	10A/450VDC
Max. Switching Voltage	450VDC
Max. Switching Power	4500W
Coil Voltage	5 to 48VDC
Nominal Operating Power	400mW / 800mW
Dimensions (L x W x H) mm	29.0 x 24.7 x 20.0
Cross Reference	

Ordering Information



Outline dimensions (mm) Wiring diagram and PC Board layout



Please refer to the full technical datasheet for full specification and coil data

DYA

Key Features:

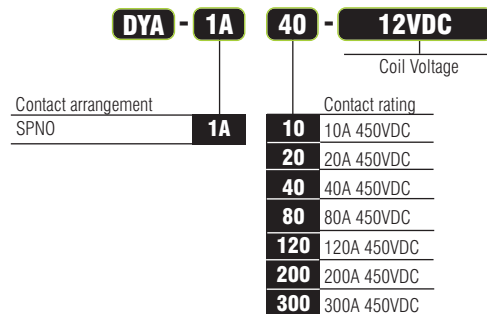
- High voltage direct current relay
- 10, 20, 40, 80, 120, 200 & 300A switching
- 10, 20 & 40A: No specific polarity requirements for the connection
- 300A: Switching power up to 750kVA
- 2.5kV dielectric strength



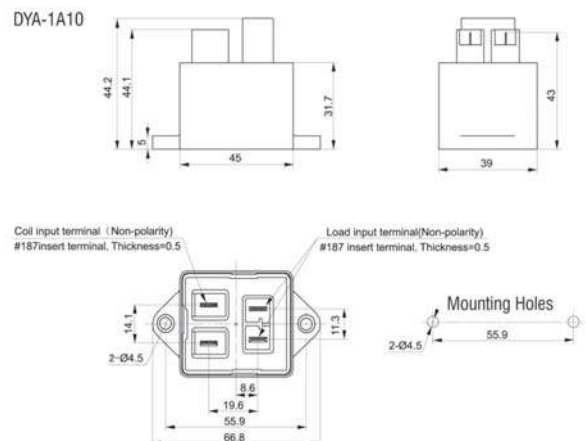
Technical Specification

Contact Form	1A
Contact Material	Alloy
Rated Load (Resistive Load)	10A 450VDC 300A 450VDC
Max. Switching Voltage	450VDC
Max. Switching Power	750kW
Coil Voltage	Please refer to datasheet
Nominal Operating Power	Please refer to datasheet
Dimensions (L x W x H) mm	Please refer to datasheet
Cross Reference	

Ordering Information



Outline dimensions (mm) Wiring diagram and PC Board layout



Please refer to the full technical datasheet for the outline dimensions and wiring diagrams for the DYA-1A20, DYA-1A40, DYA-1A80, DYA-1A120, DYA-1A200 & DYA-1A300

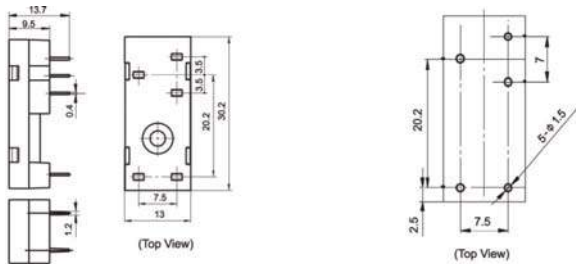
SRS1-0, SRS2-0

Key Features:

- Suitable for SRRHN, SRRNS, SRRT, SRP, ERR & ERP Relays
- Dielectric strength 5000VAC
- PCB mounting
- Components available: metallic retainer
- 1 Pole: SRS1, 2 Pole: SRS2



Outline dimensions (mm) Wiring diagram



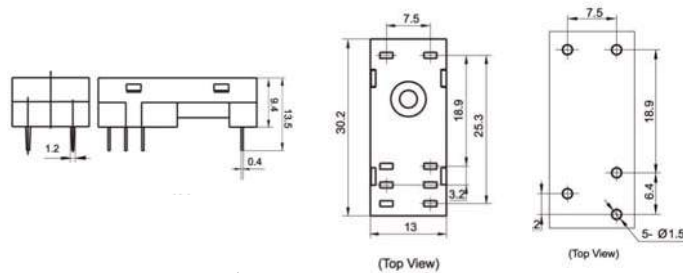
SRS3-0, SRS4-0, SRS5-0

Key Features:

- Suitable for EJH, EJHP relays
- Dielectric strength 5000VAC
- PCB mounting
- Components available: metallic retainer



Outline dimensions (mm) Wiring diagram



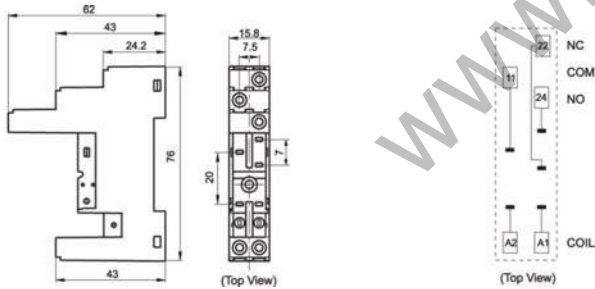
SRN3-S

Key Features:

- Suitable for 1 pole SRRHN, SRRNS, ERR Relays
- Dielectric strength 5000VAC
- DIN Rail mounting
- Components available: plastic retainer, Plug-in module & marker



Outline dimensions (mm) Wiring diagram



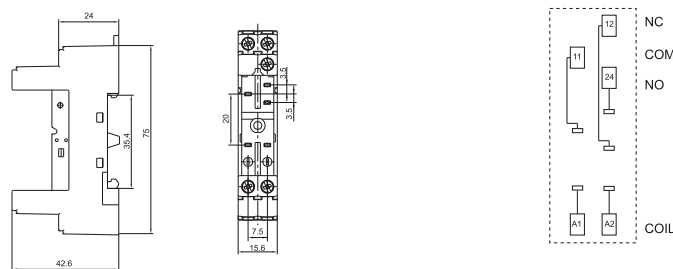
SRN3-T

Key Features:

- Suitable for 1 pole SRRHN relays
- Dielectric strength 5000 VAC
- DIN Rail mounting
- Components available: plastic retainer, plug-in module & marker



Outline dimensions (mm) Wiring diagram



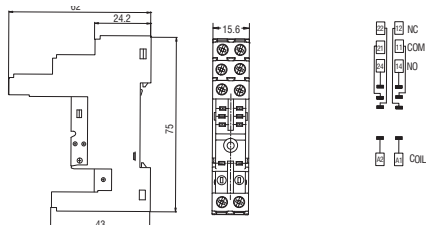
SRN5-S

Key Features:

- Suitable for 1 & 2 pole SRRHN, SRP, SRRNS, ERR relays
- Dielectric strength 5000 VAC
- DIN Rail mounting
- Components available: plastic retainer, plug-in module & marker



Outline dimensions (mm) Wiring diagram



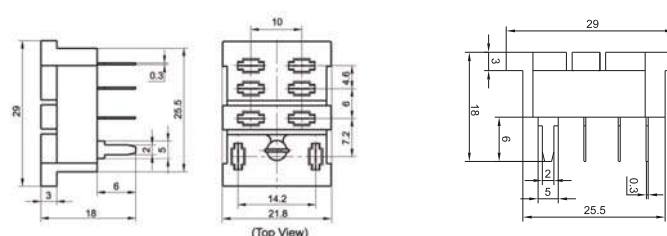
SRP2-0

Key Features:

- Suitable for QY relays
- Dielectric strength 2000 VAC
- PCB mounting
- Components available: metallic retainer



Outline dimensions (mm) Wiring diagram



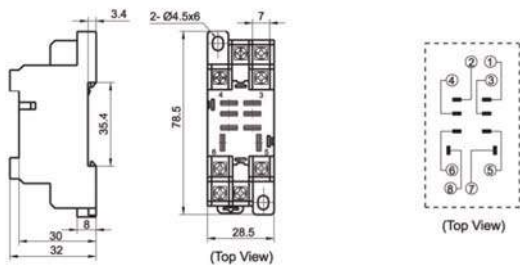
SRH2-C

Key Features:

- Suitable for QY relays
- Dielectric strength 2000 VAC
- DIN Rail and Screw mounting
- Components available: metallic retainer



Outline dimensions (mm) Wiring diagram



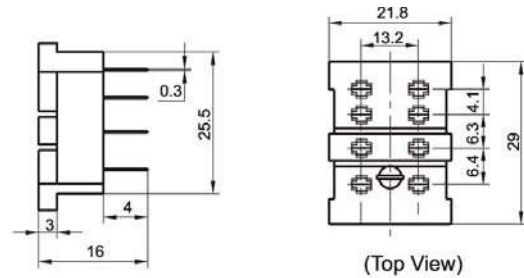
SRH2-0

Key Features:

- Suitable for 2 Pole HY relays
- Dielectric strength 2000 VAC
- PCB mounting
- Components available: metallic retainer



Outline dimensions (mm) Wiring diagram



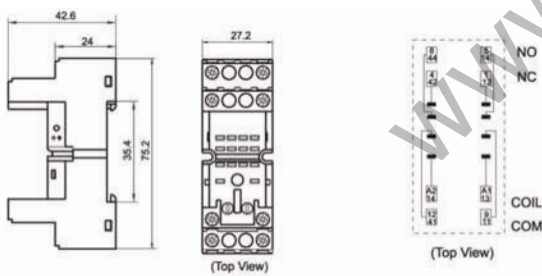
SRN2-D

Key Features:

- Suitable for 2 pole HY relays
- Dielectric strength 2000 VAC
- DIN Rail and Screw mounting
- Components available: plastic retainer, plug-in module & marker



Outline dimensions (mm) Wiring diagram



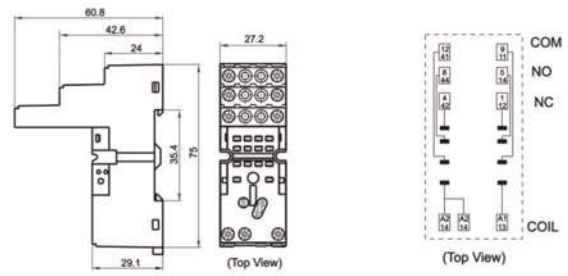
SRN2-S

Key Features:

- Suitable for 2 pole HY relays
- Dielectric strength 2000 VAC
- DIN Rail and Screw mounting
- Components available: plastic retainer, plug-in module & marker



Outline dimensions (mm) Wiring diagram



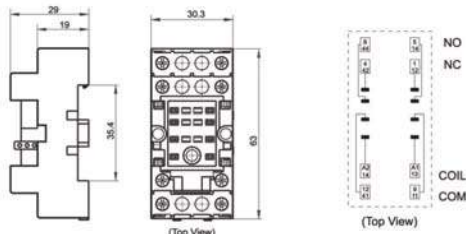
SRN2-C

Key Features:

- Suitable for 2 pole HY relays
- Dielectric strength 2000 VAC
- DIN Rail and Screw mounting
- Components available: metallic retainer & marker



Outline dimensions (mm) Wiring diagram



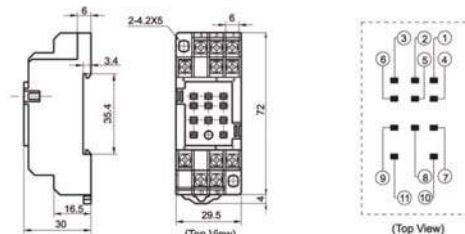
SRN3-C

Key Features:

- Suitable for 3 pole HY relays
- Dielectric strength 2000 VAC
- DIN Rail and Screw mounting
- Components available: metallic retainer



Outline dimensions (mm) Wiring diagram



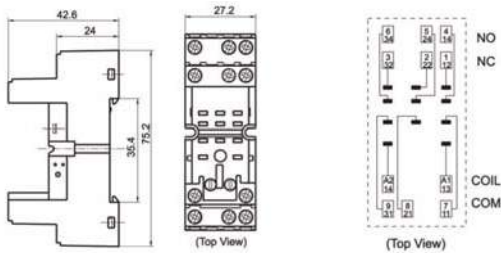
SRN3-D

Key Features:

- Suitable for 3 pole HY relays
- Dielectric strength 2000 VAC
- DIN Rail and Screw mounting
- Components available: plastic retainer, plug-in module & marker



Outline dimensions (mm) Wiring diagram



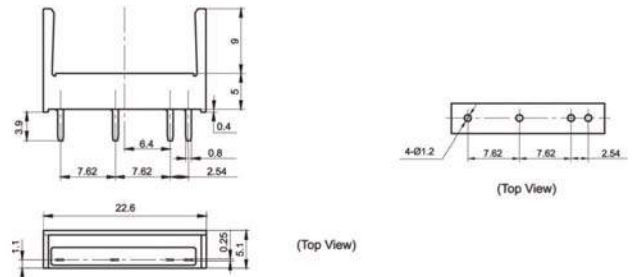
SRTN

Key Features:

- Suitable for 1 pole ETNA and ETPA relays
- Dielectric strength 2000 VAC
- PCB mounting



Outline dimensions (mm) Wiring diagram



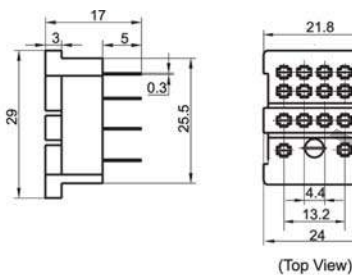
SRP4-0

Key Features:

- Suitable for 4 pole HY relays
- Dielectric strength 2000 VAC
- PCB mounting
- Components available: metallic retainer



Outline dimensions (mm) Wiring diagram



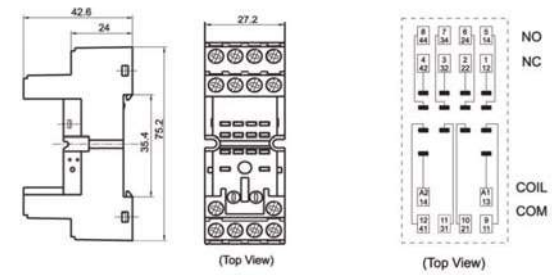
SRN4-D

Key Features:

- Suitable for 4 pole HY relays
- Dielectric strength 2000 VAC
- DIN Rail and Screw mounting
- Components available: plastic retainer, plug-in module & marker



Outline dimensions (mm) Wiring diagram



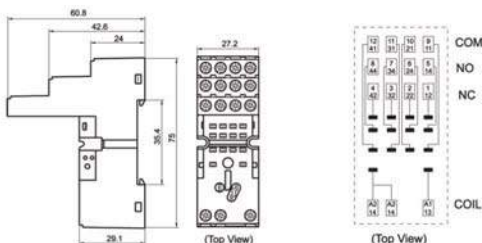
SRN4-S

Key Features:

- Suitable for 4 pole HY relays
- Dielectric strength 2000 VAC
- DIN Rail and Screw mounting
- Components available: plastic retainer, plug-in module & marker



Outline dimensions (mm) Wiring diagram



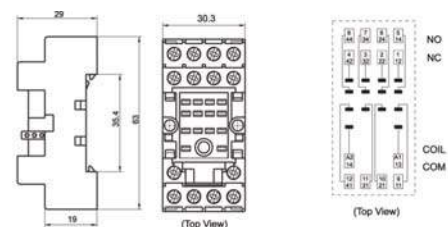
SRN4-C

Key Features:

- Suitable for 4 pole HY relays
- Dielectric strength 2000 VAC
- DIN Rail and Screw mounting
- Components available: metallic retainer



Outline dimensions (mm) Wiring diagram



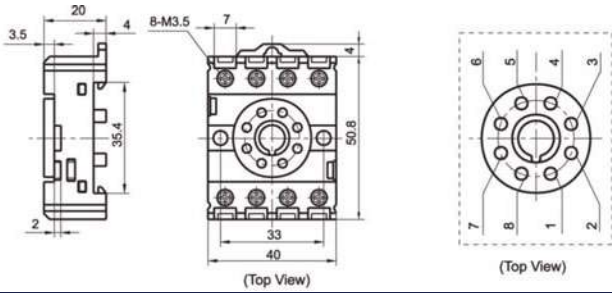
SRP8

Key Features:

- Suitable for 2 pole RS relays
- Dielectric strength 2000VAC
- DIN Rail and Screw mounting



Outline dimensions (mm) Wiring diagram



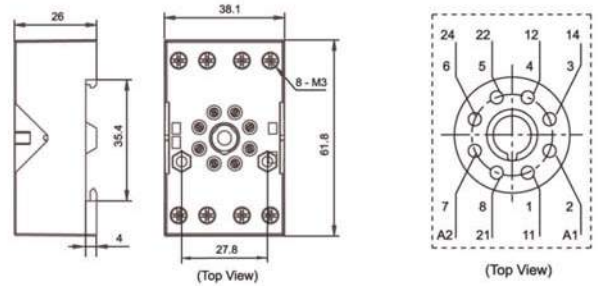
SRR8

Key Features:

- Suitable for 2 pole RS relays
- Dielectric strength 2000VAC
- DIN Rail and Screw mounting
- Components available: metallic retainer



Outline dimensions (mm) Wiring diagram



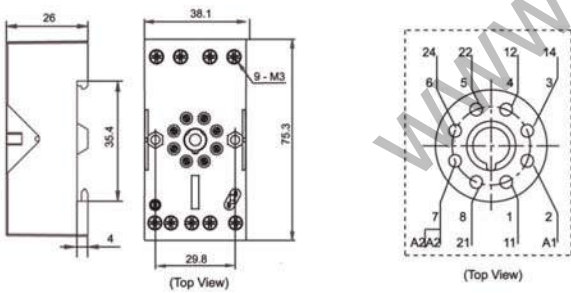
SRR8-M

Key Features:

- Suitable for 2 pole RS relays
- Dielectric strength 2000VAC
- DIN Rail and Screw mounting
- Components available: metallic retainer, plug-in module



Outline dimensions (mm) Wiring diagram



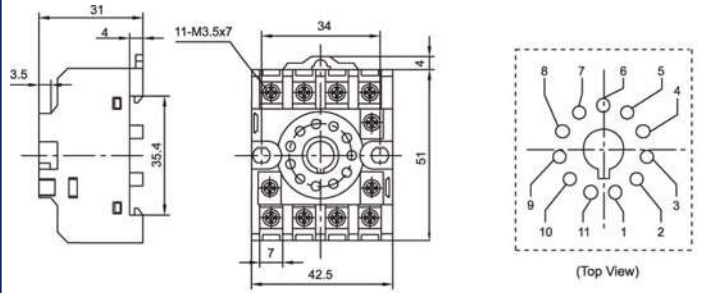
SRP11

Key Features:

- Suitable for 3 pole RS relays
- Dielectric strength 2000VAC
- DIN Rail and Screw mounting



Outline dimensions (mm) Wiring diagram



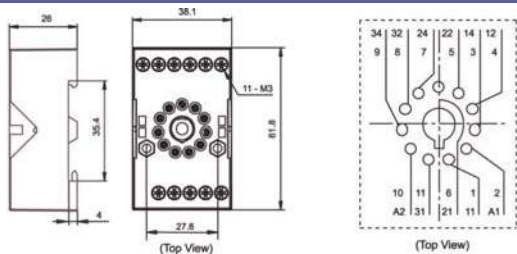
SRR11

Key Features:

- Suitable for 3 pole RS relays
- Dielectric strength 2000 VAC
- DIN Rail and Screw mounting
- Components available: metallic retainer



Outline dimensions (mm) Wiring diagram



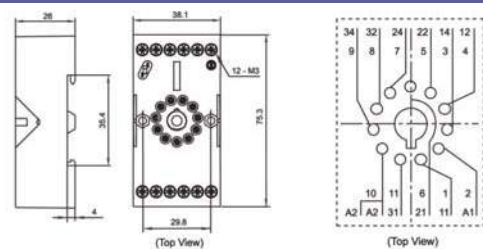
SRR11-M

Key Features:

- Suitable for 3 pole RS relays
- Dielectric strength 2000 VAC
- DIN Rail and Screw mounting
- Components available: metallic retainer, plug-in module



Outline dimensions (mm) Wiring diagram

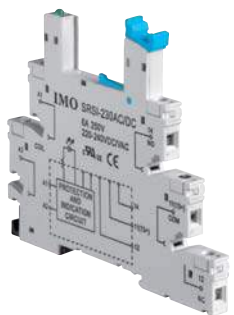


SRSI

SRSC

Key Features:

- Suitable for ETS relays
- Dielectric strength 5000 VAC
- Insulation resistance 1000M Ω
- Built-in protection indicates the power status, protects the circuit and expands the range of relay input voltage
- Components available: marker, jumper & separator
- Screw terminals



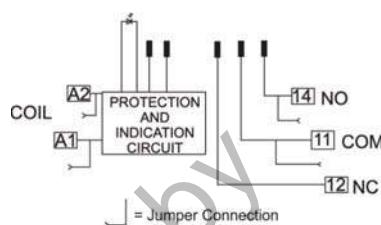
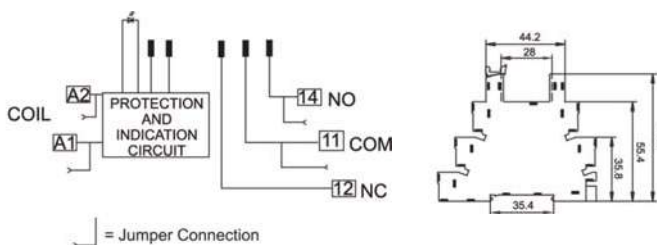
Key Features:

- Suitable for ETS relays
- Dielectric strength 5000 VAC
- Insulation resistance 1000M Ω
- Built-in protection indicates the power status, protects the circuit and expands the range of relay input voltage
- Components available: marker, jumper & separator
- Clamp terminals



Outline dimensions (mm) Wiring diagram

Outline dimensions (mm) Wiring diagram



SRSI	
Product	Relay's Applicable Rated Voltage
SRSI-24AC/DC	12 to 24 VDC
SRSI-60AC/DC	48 to 60 VDC
SRSI-110AC/DC	60 VDC
SRSI-230AC/DC	60 VDC
SRSI-24DC	6 to 24 VDC

SRSC	
Product	Relay's Applicable Rated Voltage
SRSC-24AC/DC	12 to 24 VDC
SRSC-60AC/DC	48 to 60 VDC
SRSC-110AC/DC	60 VDC
SRSC-230AC/DC	60 VDC
SRSC-24DC	6 to 24 VDC

Also Available From Your Leading Supplier Of Choice



From a single product to a complete application solution, IMO has the product range and knowledge to meet today's most demanding application requirements.

Cam Switches	Jaguar VXG 0.37-710kW
Din Rail Terminals	Jaguar VXR 0.4-15kW
Enclosures	Jaguar CUB 0.4-4kW
Isolators & Switch Fuses	Jaguar VXH 0.75-710kW
MCB, RCCD & RCBO	Jaguar AQUA 0.75-710kW
Motor Circuit Breakers	
Motor Control Gear	Audible devices
Power Supplies	PCB Terminal blocks
Signal Conditioning	Relays - automotive
Sockets	Relays - power
Timers	Relays - signal
	Relays - Industrial
Fieldbus remote I/O	
HMI	DC Isolators
Intelligent Relays	High Isolation Relays
Limit Switches	Junction Boxes
Photoelectric Switches	Terminals
PLCs	Solar Connectors
Proximity Switches	
Safety Limit Switches	
Signal Conditioning	





QR код

Leading Supplier Of Choice

From a single product to a complete application solution, IMO has the product range and knowledge to meet today's most demanding application requirements.

Cam Switches	Jaguar VXG 0.37-710kW
Din Rail Terminals	Jaguar VXR 0.4-15kW
Enclosures	Jaguar CUB 0.4-4kW
Isolators & Switch Fuses	Jaguar V0H 0.75-710kW
MCB, RCCO & RCBO	Jaguar AQUA 0.75-710kW
Motor Circuit Breakers	
Motor Control Gear	Audible devices
Power Supplies	PCB Terminal blocks
Signal Conditioning	Relays - automotive
Sockets	Relays - power
Timers	Relays - signal
	Relays - Industrial
Fieldbus remote I/O	
HMI	DC Isolators
Intelligent Relays	High Isolation Relays
Limit Switches	Junction Boxes
Photoelectric Switches	Terminals
PLCs	Solar Connectors
Proximity Switches	
Safety Limit Switches	
Signal Conditioning	



WWW.TUT.BY