

The screenshot shows the KEMET website's product page for relays. At the top, there's a navigation bar with 'Electronic Components', 'KEMET CHARGED!', and 'KEMET RELAYS'. Below this are several circular icons representing different relay types. A main heading reads 'KEMET NEC TOKIN EC2/EE2 Miniature Signal Relays'. The text below describes the relays as compact and suitable for various board spaces, mentioning through-hole (EC2) and surface-mount (EE2) configurations. It also lists features like standard, infrared, and high insulation cable leads. There are two images of relays: a red one and a tan one. Below the images are buttons for 'Order Now', 'View Product List', and 'More About KEMET NEC TOKIN'. A 'Buy' button and 'View Product List' link are also visible. At the bottom, there are links for 'Datasheet' and 'Application Note'.



QR код

- РЕЛЕ,
- нес, token, kemet,
- СІТ,
- Crydom,
- Fujitsu,
- Hasco,
- KG Technology,
- NEC,
- Omron,
- SKY,
- TE (Tyco),
- American Zettler,
- Aromat,
- Crouzet,
- DuraKool,
- Guardian,
- Idec,
- Magnecraft,
- NTE,
- Panasonic,
- Song Chuan,
- Тусо,
- Picker Automotive,

www.fotorele.net



Cross Reference Sheet

Song Chuan	NAIS	TE	OMRON	F & T	HONGFA
102	CP1	(μ K/V23086)	-----	-----	HFKC
103	CT	V23138	G8N-1, G8NW-2 G8ND-2	FTR-P3	HFKA/HFKA-T
108	CV	-----	G8HL	-----	-----
301	-----	VJ28	G8V	-----	HFV9
303	-----	VH28	G8VL	-----	HFV11
804	CA	-----	-----	-----	-----
812HM	JSM	-----	G8SN	FBR161	HFKE
822	-----	V23076/V23133 Power relay K (VKP)	G8PE	FRL274	HFKP
861	-----	V23072	-----	-----	HFKM
871	CM	VFM/V23074	G8H	-----	HFV6
895	JJM	-----	G8QN	FBR51/52	HFKW
896	CB	F4 VF4	G8JN	-----	HFV4
897	CB	VF7, F7	G8JR	-----	HFV7
898	----	VF28	G8W	-----	HFV28
905	TG	-----	-----	FBR-53	-----

* Relay part numbers change frequently. All crosses should be verified against technical specifications for accuracy.



Industrial Control Components Selection Guide



RELAYS
GENERAL PURPOSE
DC POWER
AUTOMOTIVE
POWER PCB
SOLID STATE

SNAP ACTION SWITCHES

Industrial Applications

Unequaled quality and reliability to keep productivity high

This selection guide features the most popular industrial grade products from Omron's Electronic & Mechanical Components Division and a handy cross-reference guide to relays and switches on the back cover foldout.

These world-class products perform reliably in tough environments to keep your productivity up, maintenance time down and long-term cost of ownership low.

Trust these control components for your machine and I/O interface applications, including:

Control panels

Production machinery

HVAC controls

Material handling

Packaging

Automated assembly

Board-level controls

Semiconductor manufacturing



Pages 3-9

Relays

With 70 years of experience designing innovative relays, Omron is the world's leading supplier of relays. We manufacture electromechanical and solid state relays to the highest quality level in the market to ensure each piece works right out of the box, performs consistently to specification and keeps working for a long service life. Time saving and innovative relay products include:

- P2RF-S and PYF-S screwless terminal sockets for MY and G2R series relays to cut installation time without compromising wire retention
- Hermetically sealed MY4H relay for hazardous locations
- Ultra compact, high capacity DC power relay G9E for use in industrial applications and fuel cells, designed with unique arc extinguishing technology

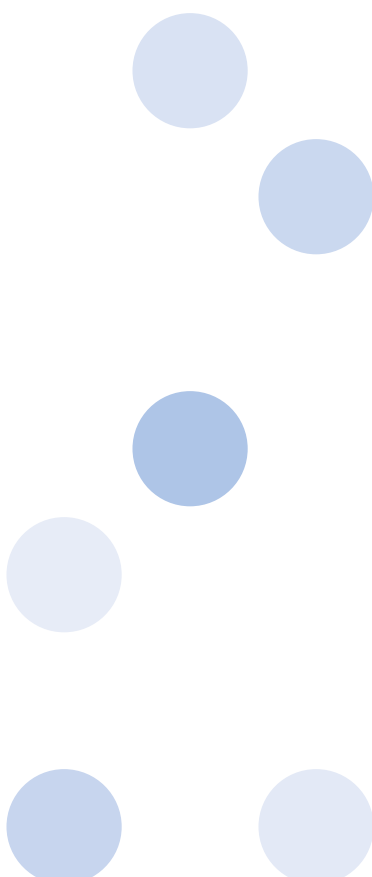


Pages 10-11

Switches

Omron has a reliable snap action switch to match your application, regardless of environment or space constraints. We offer a wide range of switching capacities, sizes and actuators for precision positioning applications. Our IP67 sealed switches handle wet, humid and dusty installations. Shorten installation and servicing time with these wiring options: screw terminals, quick-connect tab terminals in three sizes and prewired versions. Innovative switch designs include:

- Two independent switches in one compact housing making model DZ ideal for switching circuits operating on two different voltages
- Subminiature D2SW switch that fits conveyor rails for home position and end-of-travel inputs



GENERAL PURPOSE



MK

MY

MY4H

Dimensions mm (in)	52.58 H x 34.54 L x 34.54 W (2.07 x 1.36 x 1.36)	36 H x 28 L x 21.5 W (1.42 x 1.10 x 0.85)	35 H x 28.5 L x 22 W (1.38 x 1.12 x 0.87) max.
Switching	10 A max.	10 A max. (2 pole); 5 A max. (4 pole)	3 A max.
Features	<ul style="list-style-type: none"> • Octal base plug-in • Exceptional reliability • Push-to-test button standard • Latching style available 	<ul style="list-style-type: none"> • Ideal for sequence control and power switching applications • Name plate and mechanical indicator standard • Variations include push-to-test, LED and bifurcated contacts • Hermetically sealed version available (MY4H) 	<ul style="list-style-type: none"> • Fully hermetically sealed for hazardous locations • UL Class I, Division II approved (MY4ZH) • Cadmium-free contacts • Models with bifurcated contacts also available
Contact Ratings			
Contact form	2 Form C, 3 Form C	2 Form C, 4 Form C	4 Form C
Contact type	Single button	Single button, bifurcated button	Single button, bifurcated button
Contact material	Ag	AgNi	Ag Alloy
Max. operating current under resistive load	10 A	10 A (DPDT); 5 A (4PDT)	3 A
Max. operating voltage	250 VAC, 250 VDC	250 VAC, 125 VDC	125 VAC, 125 VDC
Max. switching capacity under resistive load	2 pole: 2,500 VA, 280 W; 3 pole: 2,500 VA/1,250 VA 280 W	2 pole: 2,500 VA, 300 W; 4 pole: 1,250 VA, 150 W	330 VA, 72 W
Minimum permissible load	100 mA, 1 VDC	2 pole: 1 mA, 5 VDC; 4 pole: 1 mA, 1 VDC	100 µA, 1 VDC1 for MY4H 100 µA 100 mVDC for MY4ZH (Bifurcated)
Rated load (under resistive load)	2 pole: 10 A at 250 VAC, 28 VDC; 3 pole: 10 A at 250 VAC, 28 VDC	2 pole: 5 A at 250 VAC, 30 VDC; 4 pole: 3 A at 250 VAC, 30 VDC	3 A at 110 VAC, 3 A at 24 VDC (p.f.=1)
Coil Ratings			
Coil voltage	12, 24, 110/120, 220/240 VAC; 12, 24, 48, 100 VDC	6, 12, 24, 48, 110/120, 220/240 VAC; 6,12, 24, 48, 100/110 VDC	12, 24 VDC; 12, 24, 110/120 VAC
Power consumption	2.7 VA, 1.5 W	Approx. 1.1 VA, 0.9 W	330 VA, 72 W
Dielectric strength (50/60 Hz for 1 minute)	2,000 VAC	2,000 VAC	1,000 VAC, 1 minute between coil and contacts; 1,000 VAC, 1 minute between contacts of different polarity; 700 VAC, 1 minute between contacts of same polarity
Electrical service life (operations)	100,000 minimum	2P 500,000 at 5 A, 100,000 at 10 A; 4P 500,000 at 3 A, 100,000 at 5 A	100,000 minimum
Terminal choices	Plug-in	PCB terminal, plug-in	Plug-in, PCB
Approved standards	UL, CSA, TUV, VDE, CE	UL, CSA, SEV, CE, VDE	UL/CSA
Sockets and accessories	DIN rail mounted sockets: <ul style="list-style-type: none"> • DPDT: PF083A-E • 3PDT: PF113A-E Back connecting sockets: <ul style="list-style-type: none"> • DPDT: PLE08-0 • 3PDT: PLE11-0 PCB terminal sockets: <ul style="list-style-type: none"> • DPDT: PLO8 • 3PDT: PL11 Solder terminal sockets: <ul style="list-style-type: none"> • DPDT: PLO8 • 3PDT: PL11 Hold down clips and DIN rail spacers also available	DIN rail mounted sockets: <ul style="list-style-type: none"> • DPDT: PYF08A-E, PYF08A-N PYF-08-S (Screwless terminal style) • 4PDT: PYF14A-E, PYF14A-N PYF14-S (Screwless terminal style) Screwless terminal style requires PYF-S tool Back connecting sockets: <ul style="list-style-type: none"> • DPDT: PY08-02 • 4PDT: PY14-02 PCB terminal sockets: <ul style="list-style-type: none"> • DPDT: PY08-02 • 4PDT: PY14-02 Solder terminal sockets: <ul style="list-style-type: none"> • DPDT: PY08 • 4PDT: PY14 Hold down clips and DIN rail spacers also available	DIN rail mounted sockets: <ul style="list-style-type: none"> • PYF14A-E, PYF14A-N
			<p>Need DIN Rail? See PFP-series rail and accessories on back cover foldout or at www.omron.com/oei.</p>

GENERAL PURPOSE



LY




G7J





G7L


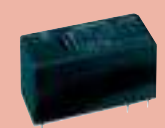

Dimensions mm (in)	35.56 H x 27.94 L x 21.59 W (1.40 x 1.10 x 0.85)	64 H x 53.5 L x 34.5 W (2.52 x 2.11 x 1.36)	49.02 H x 68.58 L x 34.54 W (1.93 x 2.70 x 1.36)
Switching	15 A max.	25 A max.	30 A max.
Features	<ul style="list-style-type: none"> • Compact power relay • LED, Push-to-test button, bifurcated contacts and other features available 	<ul style="list-style-type: none"> • Ideal for 3 phase motor control • 4 pole mini contactor • DIN rail mountable 	<ul style="list-style-type: none"> • Low cost, high power relay • 3 mm contact gap • Conforms to IEC 950/UL 1950 • Class B insulation standard
Contact Ratings			
Contact form	1 Form C, 2 Form C, 3 Form C, 4 Form C	4 Form A, 3 Form A/1 Form B, 2 Form A/2 Form B	1 Form A-DM, 2 Form A-DM
Contact type	Single button	Single button	Single button
Contact material	AgCdO	AgCdO	AgCdO
Max. operating current under resistive load	15 A (SPDT); 10 A (DPDT, 3PDT, 4PDT)	25 A (NO contacts), 8 A (NC contacts)	30 A (SPST-NO), 25 A (DPST-NO)
Max. operating voltage	250 VAC, 125 VDC	250 VAC, 125 VDC	250 VAC
Max. switching capacity under resistive load	1 pole: 1,700 VA, 360 W; 2, 3, 4 poles: 1,100 VA, 240 W	5,500 VA (NO contacts), 1,760 VA (NC contacts)	1 pole: 6,600 VAC; 2 pole: 5,500 VAC
Minimum permissible load	100 mA, 5 VDC	100 mA, 24 VDC	100 mA, 5VDC
Rated load (under resistive load)	1 pole: 15 A at 110 VAC, 24 VDC; 2, 3, 4 pole: 10 A at 110 VAC, 24 VDC	25 A at 220 VAC (NO contacts); 8 A at 220 VAC (NC contacts)	1 pole: 30 A at 250 VAC; 2 pole: 25 A at 220 VAC
Coil Ratings			
Coil voltage	12, 24, 110/120, 220/240 VAC, 12, 24, 48, 100 VDC	12, 24, 100/120, 200/240 VAC; 12, 24, 48, 100 VDC	12, 24, 100/120, 200/240 VAC; 12, 24, 48, 100 VDC
Power consumption	1.1 VA, 0.9 W (1 pole); 1.1 VA, 0.9 W (DPDT); 1.6 VA, 1.4 W (3PDT); 1.95 VA, 1.5 W (4PDT)	1.8 to 2.6 VA, 2.0 W	1.7 to 2.5 VA, 1.9 W
Dielectric strength (50/60 Hz for 1 minute)	2,000 VAC	4,000 VAC	4,000 VAC
Electrical service life (operations)	200,000 minimum, 500,000 minimum (2P)	100,000 minimum	100,000 minimum
Terminal choices	Plug-in, PCB, quick-connect	Quick-connect, screw, PCB	Quick-connect, screw, PCB
Approved standards	UL, CSA, SEV, VDE, CE	UL, CSA, TUV, CE	UL, CSA, VDE, CE
Sockets and accessories	DIN rail mounted sockets: <ul style="list-style-type: none"> • SPDT/DPDT: PTF08A-E • 3PDT: PTF11A • 4PDT: PTF14A-E Back connecting sockets: PCB terminal sockets: <ul style="list-style-type: none"> • SPDT/DPDT: PT08-0 • 3PDT: PT11-0 • 4PDT: PT14-0 Solder terminal sockets: <ul style="list-style-type: none"> • SPDT/DPDT: PT08 • 3PDT: PT11 • 4PDT: PT14 Hold down clips and DIN rail spacers also available	Mounting bracket: R99-04 for G5F	Mounting bracket: R99-07G5D DIN rail adapter: P7LF-D DIN rail mount socket: P7LF-06

Need DIN Rail?

See PFP-series rail and accessories on back cover foldout or at www.omron.com/oei.

	GENERAL PURPOSE		DC POWER
			
	MGN	MJN	G9E
Dimensions mm (in)	Short Base: 55.88 H x 63.50 L x 63.50 W (2.20 x 2.50 x 2.50) Long Base: 60.45 H x 84.33 L x 63.50 W (2.38 x 3.32 x 2.50)	48.38 H x 35.56 L x 38.73 W (1.91 x 1.40 x 1.53)	67.2 H x 73 L x 36 W (2.64 x 2.87 x 1.42)
Switching	30 A max.	30 A max.	200 A max.
Features	<ul style="list-style-type: none"> • 30 Amp heavy duty power relay • Class F coil insulation system for 155°C (311°F) total temperature • Coil molded in DuPont Rynite® for environmental protection • Rugged construction rivets terminals to base 	<ul style="list-style-type: none"> • Rugged power driver offers superior 3/16" through-air and 3/8" over-surface spacing • Interlocked frame and contact block prevent contact misalignment during plug-in • Open or dust covered available with indicator lamps and push-to-operate buttons 	<ul style="list-style-type: none"> • Compact and capable of switching high voltage, high current DC loads • Hermetically sealed switching section • Unique arc deflection and extinguishing design
Contact Ratings			
Contact form	–	1 Form C, 2 Form C, 3 Form C (non-latching); 1 Form C, 2 Form C (latching/unlatching)	1 Form A
Contact type	Single button	Single button	Single button
Contact material	5/16" diameter AgCdO	3/16" diameter AgCdO	Ag Alloy
Max. operating current under resistive load	–	–	60 A (G9EA-1); 100 A (G9EA-1-CA); 200 A (G9EC)
Max. operating voltage	–	–	400 VDC
Max. switching capacity under resistive load	–	–	24 kW
Minimum permissible load	–	–	–
Rated load (under resistive load)	30 A or 1-1/2 HP at 120 or 240 VAC; 2 HP at 240 VAC; 3,600 W at 120 or 240 VAC (ballast); 30 A at 240 VAC, 100,000 cycle (resistive), 20 A at 600 VAC; 30 A at 28 VDC	10 A at 28 VDC and 120/240 VAC at 80% pf; 1/3 HP at 120 VAC; 1/2 HP at 277/240/480/600 VAC 36 LRA-8.5FLA at 18 VDC; 3 A at 480/600 VAC at 80% pf; 10 A at 277 VAC resistive; 20 A at 28 VDC and 120/240/277 VAC; 10 A at 480/600 VAC; 3/4 HP at 120 VAC; 1-1/2 HP at 240 VAC, 17 FLA, 65 LRA, 300 VDC; 30 A at 28 VDC; 15 A at 480/600 VAC; 1 HP at 120 VAC; 1-1/2 at 240 VAC	60 A at 400 VDC (G9EA-1); 100 A at 120 VDC, 50 A at 240 VDC (G9EA-1-CA); 200 A at 400 VDC (G9EC)
Coil Ratings			
Coil voltage	6, 12, 24, 120, 240, 480 VAC; 6, 12, 24, 48, 110 VDC	6, 12, 24, 120, 240 VAC; 5, 6, 24, 48, 110 VDC	12, 24, 48, 60, 100 VDC
Power consumption	9.5 VA nominal (AC); 2 W nominal (DC)	Latching/Non-latching AC 1.7 VA nominal (1, 2PDT); 2.0 VA (3PDT) Non-latching DC 1.2 W nominal	Approximately 5 W (G9EA); Approximately 11 W (G9EC)
Dielectric strength (50/60 Hz for 1 minute)	2200 VRMS, 60 Hz between contacts; 2200 VRMS, 60 Hz between other elements	Greater than 750 VAC, RMS 60 Hz across open contacts; greater than 2500 VAC, RMS 60 Hz all other mutually insulated elements	2500 VAC
Electrical service life (operations)	100,000 minimum	100,000 minimum	200,000 minimum
Terminal choices	Screw type	Quick-connect, plug-in	Screw terminals, pre-wired
Approved standards	UL recognized, CSA	UL, CSA	UL, CSA pending
Sockets and accessories	Dust cover - sealed knock-out holes for standard conduit fittings Relay mounts on pre-drilled base Constructed of aluminum Snap action cover release 127 W x 76.20 H x 101.60 D (5 x 3 x 4)	DIN rail mounted socket: • SPDT, DPDT, 3PDT: PTF11PC Panel mounted socket: • SPDT, DPDT, 3PDT: PTF21PC Back connecting sockets: PCB terminal socket: • SPDT, DPDT, 3PDT: PTFPCB Solder terminal socket: • SPDT, DPDT, 3PDT: PTF11QDC	–

	AUTOMOTIVE	POWER PCB		
				
	G8JN	G6D	G6B	G6C
Dimensions mm (in)	25 H x 28 L x 28 W (0.98 x 1.10 x 1.10)	12.5 H x 17.5 L x 6.5 W (0.49 x 0.69 x 0.26)	9.91 H x 20.07 L x 9.91 W (0.39 x 0.79 x 0.39)	9.91 H x 20.07 L x 14.99 W (0.39 x 0.79 x 0.59)
Switching	35 A max.	5 A max.	8 A max.	10 A max.
Features	<ul style="list-style-type: none"> • General purpose automotive power relay • Mini ISO footprint • Handles heavy automotive load • High current path fully welded; reduces heat buildup at full load • Wide temperature range: -40°C to +125°C • Made in North America 	<ul style="list-style-type: none"> • Subminiature, slim lightweight design • Low power consumption • Sealed construction 	<ul style="list-style-type: none"> • Subminiature and low power • Sealed construction • Latching types available 	<ul style="list-style-type: none"> • Low power consumption • Low profile • Latching types available
Contact Ratings				
Contact form	1 Form C	1 Form A	1 Form A, 2 Form A, 1 Form A + 1 Form B	1 Form A + 1 Form B, 1 Form A
Standard contact type	Single Button	Single button	Single button	Single button
Standard contact material	AgSnIn	Ag alloy	AgCdO	AgCdO
Max. operating current under resistive load	35 A (NO) / 20 A (NC)	5 A	5 A	10 A (SPST-NO); 8 A (SPST-NO+SPST-NC)
Max. operating voltage	16 VDC	250 VAC, 30 VDC	380 VAC, 125 VDC	380 VAC, 125 VDC
Max. switching capacity under resistive load	–	1,250 VA, 150 W	1,250 VA, 150 W	2,500 VA, 300 W; 2,000 VA, 240 W (SPST-NO+SPST-NC)
Minimum permissible load	–	10 mA, 5 VDC	10 mA, 5 VDC	10 mA, 5 VDC
Rated load (under resistive load)	35 A (NO) / 20 A (NC) carry current 100 A (NO) / 40 A (NC) inrush current	5 A at 250 VAC, 5 A at 30 VDC	5 A at 250 VAC, 5 A at 30 VDC	10 A at 250 VAC, 10 A at 30 VDC; 8 A at 250 VAC, 8 A at 30 VDC
Coil Ratings				
Coil voltage	12 VDC	5, 12, 24 VDC	5, 6, 12, 24 VDC	5, 6, 12, 24 VDC
Power consumption	1.85 W	200 mW	200 mW (standard and latching)	200 mW (standard and single coil latching)
Dielectric strength (50/60 Hz for 1 minute)	800 VDC for 1 minute	3,000 VAC	3,000 VAC	2,000 VAC
Electrical service life (operations)	100,000 operations min. (14 V / 35 A)	100,000 minimum	100,000 minimum	100,000 minimum
Terminal choices	Plug-in	PCB	PCB	PCB
Approved standards	N/A	UL, CSA, TUV, SEV	UL, CSA, (FCC Part 68)	UL, CSA, VDE, SEV
Sockets and accessories	–	PCB terminal socket: P6D-04P	PCB terminal sockets: • G6B-1: P6B-04P • G6B-2: P6B-26P • G6BK: P6B-06P • G6BU: P6B-04P Hold down clip: P6B-C2	PCB terminal sockets: • G6C-1, G6C-2, G6CV: P6C-06P • G6CK: P6C-08P
	For additional automotive relay options please go to www.oeiweb.omron.com/relays			

	POWER PCB		
			
	G2R	G2RL	G8PT
Dimensions mm (in)	25.5 H x 29 L x 13 W (1 x 1.14 x 0.51)	15.5 H x 29 L x 12.7 W (0.61 x 1.14 x 0.50)	Varies by type
Switching	16 A max.	16 A max.	30 A max. (SPST) 20 A/10 A max. (SPDT)
Features	<ul style="list-style-type: none"> • High dielectric withstand • 8 mm coil/contact spacing • 1 and 2 pole models • Class B insulation • 3 mm contact gap version available • Flange mount type available 	<ul style="list-style-type: none"> • Low profile • High isolation • Class F insulation • Low power consumption 	<ul style="list-style-type: none"> • High switching capacity • UL Class F insulation standard • Wide range of coil ratings • Sealed and Open frame models • UL508/UL873 spacing Column A • High impulse withstand of 6kV coil to contacts including the 6kV 100kHz ring wave (per IEC 1000-4-12)
Contact Ratings			
Contact form	1 Form A, 1 Form C, 2 Form A, 2 Form C	1 Form A, 1 Form C, 2 Form A, 2 Form C	1 Form A, 1 Form C
Standard contact type	Single button	Single button	Single button
Standard contact material	AgCdO	AgSnO ₂ (1 pole); AgNi (2 pole)	AgCdO
Max. operating current under resistive load	16 A (high capacity, 1-pole); 10 A (general purpose, 1-pole); 5 A (general purpose, 2-pole); 5 A (latching, 1-pole); 5 A (high sensitivity, 1-pole); 3 A (high sensitivity, 2-pole); 3 A (latching, 2-pole)	16 A (high capacity, 1-pole); 12 A (general purpose, 1-pole); 8 A (2-pole)	AC 30 A, DC 20 A (SPST-NO); AC 20/10 A, DC 20/10 A* (SPDT) *NO contact/NC contact
Max. operating voltage	380 VAC, 125 VDC	440 VAC	250 VAC, 28 VDC
Max. switching capacity under resistive load	4,000 VA, 480 W (1 pole); 1,250 VA, 150 W (2 pole)	4,000 VA, 384 W (high capacity, 1-pole); 3,000 VA, 288 W (general purpose 1-pole); 2,000 VA, 240 W (2 pole)	7,500 VA, 560 W (SPST-NO); 5,000/2,500 VA, 560/280 W* (SPDT) *NO contact/NC contact
Minimum permissible load	1 pole: 100 mA, 5 VDC; 2 pole: 10 mA, 5 VDC	10 mA, 5 VDC	DC 5 V, 500 mA
Rated load (under resistive load)	16 A at 250 VAC, 30 VDC (high capacity); 10 A at 250 VAC, 30 VDC, General purpose (1 pole); 5 A at 250 VAC, 30 VDC, General purpose (2 pole)	16 A at 250 VAC, 24 VDC (high capacity 1 pole); 12 A at 250 VAC, 24 VDC, General purpose (1 pole); 8 A at 250 VAC, 30 VDC, (2 pole)	30 A at 250 VAC, 20 A at 28 VDC (SPST-NO); 20/10 A* at 250 VAC, 20/10 A at 28 VDC *NO contact/NC contact
Coil Ratings			
Coil voltage	12, 24, 120, 240 VAC; 5, 6, 12, 24, 48 VDC	5, 12, 24, 48 VDC	5, 9, 12, 24, 48, 110 VDC
Power consumption	0.9 VA, 530 mW, 360 mW (high sensitivity); 850 mW (set), 600 mW (reset) latching	400 mW (430 mW for 48 VDC)	Approx. 900 mW
Dielectric strength (50/60 Hz for 1 minute)	5,000 VAC	5,000 VAC	2,500 VAC, 50/60 Hz for 1 minute (coil to contacts); 1,500 VAC, 50/60 Hz for 1 minute (between contacts)
Electrical service life (operations)	100,000 minimum	Consult catalog page	100,000 minimum
Terminal choices	PCB terminal, plug in, and quick-connect	PCB	PCB, PCB with quick-connect load terminals, flange mount with quick-connect terminals
Approved standards	UL, CSA, SEV SEMKO, VDE, TUV	UL, CSA, VDE	UL/CSA, VDE
Sockets and accessories	DIN rail sockets: <ul style="list-style-type: none"> • SPDT: P2RF-05-E • P2RF05S (Screwless terminal style) • DPDT: P2RF-08-E • P2RF08S (Screwless terminal style) Screwless terminal style requires PYF-S tool Back connecting sockets: PCB terminal sockets: <ul style="list-style-type: none"> • SPDT: P2R-05P • DPDT: P2R-08P Solder terminal sockets: <ul style="list-style-type: none"> • SPDT: P2R-05A • DPDT: P2R-08A 	—	—

Need DIN Rail?
See PFP-series rail and accessories on back cover foldout or at www.omron.com/oei.

SOLID STATE



G3R I/O

G3TB

G3TC

Dimensions mm (in)

Input & Output modules:
28 H x 29 L x 13 W
(1.10 x 1.14 x 0.51)

Input module:
20.5 H x 43.5 L x 10 W
(0.81 x 1.70 x 0.39)
Output module:
30.5 H x 43.5 L x 10 W
(1.20 x 1.70 x 0.39)

31.8 H x 43.2 L x 15.2 W
(1.25 x 1.7 x 0.6)

Switching

Input module: 100 mA;
Output module: 2A

Input module: 25 mA;
Output module: 3 A

Input Module: 12 mA, 15 mA, or 18 mA
(depending on model)
Output Module: 3 A (1 A on DC output
models rated up to 200 VDC)

Features

- 4 kV insulation
- Operation indicator standard
- Interchangeable with G2R electromechanical relay
- Ideal for DIN rail mount I/O operations

- Color-coded modules
- Industry standard footprint
- 4 kV dielectric strength

- Color-coded modules
- Industry standard footprint
- Built-in hold down screw
- Optical isolation – Dielectric strength of 4 kV
- Zero cross on AC output modules

Operating input

Input module: 5 VDC;
6.6-32 VDC; 60-264 VAC; Output module:
4-32 VDC

Input module:
80-264 VAC, 3-32 VDC;
Output module: 3-32 VDC

Input Module: 90-140 VDC/AC,
180-280 VDC/AC, 10-32 VDC/AC
(depending on model)
Output Module: 5-24 VDC
(depending on model)

Output voltage

Input module: 4-32 VDC; Output module:
75-264 VAC, 4-200 VDC

Input module: 4-32 VDC; Output module:
75-264 VAC, 4-200 VDC

Input Module: 4.5-6 VDC, 12-18 VDC, 20-
30 VDC (depending on model)
Output Module: 75-140 VAC, 75-280 VAC,
5-60 VDC, 5-200 VDC (Depending on
model)

Isolation

Photocoupler, Phototriac

Photocoupler

AC Input, DC Input, DC Output:
Photocoupler AC Output: Phototriac

Dielectric

4,000 VAC

4,000 VAC

4,000 VAC

Zero crossing

Input module: No;
Output module: Yes

Input module: No;
Output module: Yes

Yes (AC output modules only)

Snubber circuit

Input module: No;
Output module: Yes

Input module: No;
Output module: Yes

Yes (AC output modules only)

Life (MTTF)

100,000 hours

100,000 hours

100,000 hours

Mounting

Socket

PCB

PCB

Terminal

Plug-in

PCB

PCB

Approvals

UL, CSA, TUV

UL, CSA

UL, CSA, TUV, CE

Equivalent Omron EMR footprint

G2R

N/A

N/A

Optional heat sink

N/A

N/A

N/A

Socket

P2RF-05E

N/A

N/A

Need DIN Rail?

See PFP-series rail and accessories on back cover foldout or at www.omron.com/oei.

SOLID STATE



G3NE

G3NA

G3PB

	G3NE	G3NA	G3PB
Dimensions mm (in)	11.5 H x 47 L x 37.5 W (0.45 x 1.90 x 1.50)	27 H x 58 L x 43 W (1.06 x 2.28 x 1.69)	Consult Omron for specific model
Switching	20 A max.	50 A max.	45 A max.
Features	<ul style="list-style-type: none"> • High capacity • Panel mount • Quick-connect terminals 	<ul style="list-style-type: none"> • Ideal for industrial controls • Hockey puck design • Operation indicator standard 	<ul style="list-style-type: none"> • Available with or without built-in heat sink • 3-phase or single phase models • DIN rail mountable
Operating input	5, 12, 24 VDC	4-32 VDC; 75-264 VAC	10 mA max
Output voltage	75-264 VAC	19-528 VAC; 5-200 VDC	12-24 VDC
Isolation	Phototriac	Phototriac, Photocoupler	Phototriac
Dielectric	2,000 VAC	2,500 VAC	2,500 VAC, 50/60 Hz
Zero crossing	Yes	Yes	Yes
Snubber circuit	Yes	Yes	Yes
Life (MTTF)	100,000 hours	100,000 hours	100,000 hours
Mounting	Plug-in	Panel	DIN rail
Terminal	Quick connect	Screw	Screw
Approvals	UL, CSA, TUV	UL, CSA, TUV	UL, UL508, CSA, CE
Equivalent Omron EMR footprint	N/A	N/A	N/A
Optional heat sink	Track mount heat sinks: <ul style="list-style-type: none"> • G3NE-205T(L), -210T(L): Y92B-N50 • G3NE-220T(L): Y92B-N100 	Standard heat sinks: <ul style="list-style-type: none"> • G3NA-205B, -210B, -0D210B, -220B, -410B, -420B: Y92A-100 • G3NA-225B, -240B, -425B, -440B: Y92A-150N • G3NA-440B: Y92A-250 Track mount heat sinks: <ul style="list-style-type: none"> • G3NA-205B, -210B, -D210B, -410B: Y92B-N50 • G3NA-220B, -420B: Y92B-N100 • G3NA-225B, -240B, -425B, -440B: Y92B-N150 	Y92B-P50 (depending on model)
Socket	N/A	N/A	N/A

Need DIN Rail?
See PFP-series rail and accessories on back cover foldout or at www.omron.com/oei.

SNAP ACTION



A

DZ

X

Z

Dimensions mm (in)

24.2 H x 17.45 D x 49.2 W
(0.95 x 0.69 x 1.93)

22.7 H x 17.45 D x 49.2 W
(0.89 x 0.69 x 1.94)

24.2 H x 17.45 D x 49.2 W
(0.95 x 0.69 x 1.94)

24.2 H x 17.45 D x 49.2 W
(0.95 x 0.69 x 1.94)

Features

- General Purpose Snap Action Switch
- High capacity switch handles loads with large inrush currents

- Incorporates two completely independent built-in switches
- Ideal for switching the circuits operating on two different voltages
- Ideal for controlling two independent circuits

- Ideal for switching DC circuits
- Direct current switch with built-in magnetic blowout
- Incorporates a small permanent magnet in the contact mechanism that deflects and extinguishes arcs

- High precision
- Wide margins of operating conditions that increase operating speed range

Contact Ratings

Resistive load

20 A, 250 VAC

10 A, 250 VAC/30 VDC

10 A, 125 VDC

15 A, 250 VAC; 0.5 A, 125 VDC

Contact form

SPDT

DPDT

SPDT

SPDT, SPST-NC, SPST-NO

Operating force (OF)*

400 g to 625 g

170 g to 570 g

110 g to 510 g

28 g to 540 g

Mechanical service life

1,000,000 ops.min.
(at rated OT load)

1,000,000 operations min.
at rated OT value

1,000,000 operations min.
at rated OT value

20,000,000 operations min.*

Electrical service life

500,000 ops. min.
(at rated OT load)

500,000 operations min.
(under rated load)

100,000 operations min.
(under rated load)

500,000 operations min.**

Mounting pitch mm (in)

25.4 (1.0)

25.4 (1.0)

25.4 (1.0)

25.4 (1.0)

Actuator types

Pin plunger;
Short spring plunger;
Panel mount plunger;
Panel mount roller plunger;
Panel mount cross roller;
Short hinge lever;
Hinge lever;
Short hinge roller lever;
Hinge roller lever

Pin plunger;
Hinge lever;
Short hinge roller lever;
Hinge roller lever

Pin plunger;
Short spring plunger;
Panel mount plunger;
Panel mount roller plunger;
Panel mount cross roller plunger;
Short hinge lever;
Hinge lever;
Short hinge roller lever;
Hinge roller lever

Pin plunger;
Slim spring plunger;
Short spring plunger;
Panel mount plunger;
Panel mount cross roller plunger;
Panel mount roller plunger;
Hinge lever;
Hinge roller lever;
Short hinge roller lever

Terminal choices

Solder, Screw, or Quick connect (#250)

Screw terminal; Solder terminal

Screw terminal; Solder terminal

Screw terminal; Solder terminal; Quick connect terminal (#250)

Approved standards

UL, CSA, SEV

UL, CSA

UL, CSA, SEV




UL, CSA, SEV

*Values are for pin plunger type only

*Applies to pin plunger models

**Applies to pin plunger or lever models

www.fotorelax.com

	SNAP ACTION		
			
	V (V-15, V-10)	D2VW	D2SW
Dimensions mm (in)	15.9 H x 10.3 D x 27.8 W (0.63 x 0.41 x 1.09)	15.9 H x 10.3 D x 33 W (0.63 x 0.41 x 1.29)	10.1 H x 6.4 D x 19.8 W (0.40 x 0.25 x 0.78)
Features	<ul style="list-style-type: none"> • Miniature Snap Action Switch • Industry standard design with 15 A (V-15G) or 10 A (V-10G) rating • Cadmium-free contacts 	<ul style="list-style-type: none"> • Miniature Snap Action Switch • Sealed water-tight switch conforms to IP67 (lead wire type) and IP50 (terminal type) 	<ul style="list-style-type: none"> • Subminiature Snap Action Switch • Small sealed switch conforms to IP67 (lead wire type) and IP50 (terminal type)
Contact Ratings			
Resistive load	15 A, 250 VAC (V-15G) 10 A, 250 VAC (V-10G)	0.1 A, 125 VAC or 5 A, 125/250 VAC	0.1 A, 125 VAC or 3 A, 125 VAC
Contact form	SPDT, SPST-NC, SPST-NO	SPDT (SPST-NC, SPST-NO per request)	SPDT (SPST-NC, SPST-NO per request)
Operating force (OF)*	100 g, 200 g, or 400 g (V-15G) 100 g or 200 g (V-10G)	200 g	180 g
Mechanical service life	50,000,000 operations min.	10,000,000 operations min.	5,000,000 operations min.
Electrical service life	100,000 operations min. (V-15G) 300,000 operations min. (V-10G)	1,000,000 operations min. (0.1 A, 125 VAC) 100,000 operations min. (3 A, 125/250 VAC)	200,000 operations min. (0.1 or 3 A, 125 VAC) 100,000 operations min. (2A, 250 VAC)
Mounting pitch mm (in)	10.3 x 22.2 (0.41 x 0.87)	10.3 x 22.2 (0.41 x 0.87)	9.5 (0.37)
Actuator types	Pin plunger; Short hinge lever; Hinge lever; Long hinge lever; Simulated roller lever; Short hinge roller lever; Hinge roller lever	Pin plunger; Short hinge lever; Hinge lever; Long hinge lever; Simulated roller lever; Short hinge roller lever; Hinge roller lever	Pin plunger; Hinge lever; Simulated roller lever; Hinge roller lever
Terminal choices	Solder/Quick connect (#187) Quick connect (#187), Quick connect (#250), Short solder, Screw	Solder/Quick connect (#187 tab terminals) Lead wires	Solder, Quick connect (#110), PCB, Lead wires
Approved standards	UL, CSA, SEV, VDE, SEMKO, DENMARK	UL, CSA (refer to "Ratings" section of data sheet)	UL, CSA
*Values are for pin plunger type only			

Complete Component Solutions



Switches

Omron switches deliver consistent performance under all conditions, including excessive dust and humidity. Our board level components include snap action, DIP, thumbwheel, and tactile switches with a variety of options to match your application's requirements.



Relays

Get high reliability and different load capacities in a variety of sizes and mounting styles with Omron's relays. From tiny low signal models to solid state relays with integrated heat sinks, we are the world's most trusted source for relays. Solve your toughest switching application with one of our relays.



Micro Sensors

Increase your product's functionality with Omron's micro sensors for air flow, pressure, tilt and vibration. They use the latest MEMs-based technology to provide reliable input for a wide range of applications.

OMRON®

OMRON ELECTRONICS LLC
Schaumburg, IL
www.omron.com/oei

OMRON CANADA, INC.
Toronto, Ontario
www.omron.ca

SB ICCSG-3 05/03/7.5M
© 2003 OMRON ELECTRONICS LLC
Printed in the U.S.A.

UNITED STATES, MEXICO,
and SOUTH AMERICA (excluding Brazil)

847.882.2288

CANADA SALES OFFICE

416.286.6465

BRAZIL SALES OFFICE

55.11.5564.6488








AUTHORIZED DISTRIBUTOR:

SOCKET AND SWITCH CROSS REFERENCE GUIDE

TRACK-MOUNTED SOCKET CROSS REFERENCE GUIDE

	 P2RF-S	 P2RF	 PYF-S	 PYF-A/E/N	 PTF-A/E	 PF	 PTF-PC
Relay Series	G2R	G2R	MYS, MY, MY4H	MYS, MY, MY4H	LY	MK	MJN
Allen-Bradley	-	700-HN121, 122	-	700-HN103, 128	HN116, 138, 139	700-HN125, 126	700-HN153, 154
American Zettler	-	-	-	-	-	-	-
Aromat	-	-	-	HC-SFD	HL-SFD	-	HG-SFD
Carlo Gavazzi	-	-	-	ZDM14	-	ZVD/ZPD	-
Custom Connector	-	ES	-	MT	GT/GR	OT	ST/SS/OC
Cutler Hammer	-	D4PA	-	D2PA	D7PA	D3PA	D5PA
Deltroni	-	-	-	-	-	20983	20982
Finder	-	48 Series	-	94	96	90	92
Fujitsu	-	-	-	-	-	-	-
Hasco	-	-	-	-	-	-	-
Hongfa	-	-	-	18FF-4Z-B/C	13F-2Z-C	-	-
IDEC	-	SH1/SY2	SU	SY4	SH2/SY4	SR2/3P	SR2/3B
Magnecraft	-	70-781	-	70-461	70-459	70-464/465	70-463
Midtex/Tyco	-	-	-	670	S258	670, DOCT, SOCT	D157
NTE	-	-	-	R95-106A/117	R95-110/121	R95-113/114	R95-105/115
P&B/Tyco	-	-	-	27E894	27E895	27E891/892	27E893
Schrack/Tyco	-	-	-	PT 78	TM 78	MT 78, MR 78	RM 78
Sky	-	-	-	-	-	-	-
Song Chuan	-	-	-	-	-	-	-
Square D	-	NR41	-	NR45	NR42, 43, 34	NR51, 52, 61, 62	-

SWITCH CROSS REFERENCE GUIDE

	 A	 DZ	 X	 Z	 V	 D2VW	 D2SW
Microswitch BA Series; Unimax HB/HL Series	Microswitch DT Series	Microswitch MT Series	Microswitch BZ Series; Unimax HB Series	Microswitch V3/V3L Series; Cherry E34/K Series Unimax TF Series	Matsushita ABV Series	Matsushita FS/QS Series Cherry	

For more details on relays,
sockets and switches please
visit our web site at
www.omron.com/oei

RELAY CROSS REFERENCE GUIDE

GENERAL PURPOSE RELAY CROSS REFERENCE GUIDE

										
	G2RS	MYS	MY	MY4H	LY	MK	MJN	MGN	G7L	G7J
DIN Rail Socket	P2RF	PYF-S, PYF-A/E/N	PYF-S, PYF-A/E/N	PYF-S, PYF-A/E/N	PTF-A/E	PF	PTF-PC	-	P7LF	-
Allen-Bradley	700-HK	700-HC	-	-	700-HF	700-HA	700-HB/HD	700-HG	-	-
American Zettler	-	AZ165	-	-	AZ165	-	-	-	AZ2700/2800	-
Aromat	-	HC	HJ	-	HL	-	HG	-	HE	JH
Carlo Gavazzi	-	RMI 2-10/4-5	-	-	-	RCP	-	-	-	-
Custom Connector	-	-	-	-	-	-	-	-	-	-
Cuttler Hammer	D4PR	D2PR	-	-	D7PR	D3PR	D5PR	-	D8PR	D9PR
Deltrol	-	-	320	-	310	105	160	900	-	-
Finder	48 Series	55	-	-	56	60	62	-	-	-
Fujitsu	-	MAT	-	-	MAT	-	-	-	-	-
Hasco	-	-	-	-	UJ,UJJ	-	-	-	-	-
Hongfa	JQX-14FF QC	-	JZX-18FF	-	JQX-13F	JQX-10FF	-	-	JQX-116F-1	-
IDEC	RH1/RV2	RU/RV4/RM	-	-	RH2/3/4	RR-P	RR-B	-	-	-
Magnecraft	781	-	782XDX	782XDXH	782XBX	750	788	W199	W92	-
Midtex/Tyco	-	-	156,158	156 Hermetic	258	155	157	-	-	-
NTE	-	-	R12	R12-H	R14	R02	R10	R04	-	-
P&B/Tyco	-	-	KHA	KHS	K10	KRP	KUP	PRD	T92	-
Schrack/Tyco	-	PT	-	-	TM	MT	RM	-	-	-
Sky	-	-	RE	-	RET	-	-	-	-	-
Song Chuan	-	-	SCLB,SCLD	-	SCL,SCLA	703	731, 735	-	841	-
Square D	8501RS41	-	8501RS4	8501RS34	8501RS42/43/44	-	8501KU	8501C	-	-

DIN Rail

PPF-100N	1 meter x 7.3 mm depth
PPF-50N	0.5 meter x 7.3 mm depth
PPF-100N2	1 meter x 16 mm depth
PPF-M	DIN rail end plate
PPF-S	DIN rail spacer



SOLID STATE RELAY CROSS REFERENCE GUIDE

					
	G3TC	G3NA	G3NE	G3PB	G3R
G1	120/240	Z120D	Series CS	-	-
IAC/OAC, IDC/ODC	Series 1	G Series	G Series	GDR	-
84	IAC/OAC, IDC/ODC	SSRT	SSRT	-	OACM & ODCM
-	SSAA	RLDA	RLDA	RSDA	-
70	70S Series	70S Series	70S Series	GA3	-



Opto 22
Crydom
Gordos/Crouzet
P&B/Tyco
Contentinal
Grayhill

Relay Cross Reference Guide

Disclaimer

The following Relay Cross Reference Guide
is believed to be accurate.

GEI accepts no responsibility for damage caused from incorrect
cross referencing.

Specifications between manufacturers may vary in minimum and maximum values
which should not be critical to most applications.

Consult a GEI representative before ordering.

Note

Please check with a GEI representative for competitor variations
in relay part numbers not indicated in this cross reference.

Greenwich Electronics, Inc. Relay Cross Reference Chart

GEI Relays	American Zettler	Aromat	Fujitsu Takamisawa	Hasco	NTE	OEG	Omron	P&B	Song Chuan
Low Signal									
LS1	AZ5X/5Y		FBR211	BAS		OUA/OUAT	G2E	T81	842
LS1	AZ951/52			BS/SC		OUAZ			
LS2						OUC			
LS3	AZ830/832P	DS2E	RA			V23105	G6A	V23105	876N
LS4	AZ957	HY	SY	HBS	R70	TSC	G5V-1		
CY		DS2E/2Y	FBR244	CAS/HS	R40	OVR	G5V-2	T85	
Light Duty									
LD1	AZ946			KSD		SRZ			
LD2	AZ940	JQ		HPR					851
LD3			JY/FRS16	HAS		OJE			835
LD5	AZ164/65/66	HC				SRE	MY3/MY4	KHA	SCLB/D
CW			VE						851N
General Purpose									
GP1	AZ941/42	JS	FBR161/163	KLT	R46	ORW/SRU		T72/N/T7C	801/812/833/H
GP2	AZ8		LZ	SSD	R73	ODU	G5LE	T73	843
GP3	AZ696		JS				G6RN		
GP4					R02		MK	KRPA	703
GP8	AZ164/65/66	HL		UJ	R14	SRET	LY1/LY2	K10	SCLA
CQ	AZ944	JV		MHR			G5C/E		
CH	AZ697	JW	FBR611/13/21/23	PR	R25	OMI/OZ	G2R	RKS	845
KH	AZ692/2692	JW	FBR611/13	PR		OMI	G2R	RKA	
Heavy Duty									
HD1	AZ2100/50/51 AZ2280	JT/JTN		HAT901/2/3	R45/R53	ORU	G7G/G8P	T90	832/832A
HD2	AZ2850			HAT904				T92	
HD3	AZ2760/67	JM	VH						821W
HD4		JM					G4A		821P
CHP		JA			R47		G4B		
Automotive									
AR1	AZ9721/973	CB		CAR	R51		G8J	VF4	792
AR2	AZ979				R51			VF7	
AR3	AZ980/83				R51			VF7	
AR4	AZ977	CM						VFM	
AR5	AZ970/71		FRL274	CARB	R52			VKP	822
AR6	AZ942A						G8V		
AR7		CQ JJM/JSM	FBR51/52 FTR	KLT			G8Q	T72K/M	

Greenwich Electronics, Inc.

RELAY CROSS REFERENCE

AMERICAN ZETTLER	GEI	AMERICAN ZETTLER	GEI
AZ 164	GP8	AZ 164	GP8
AZ 164-1CT-6D	GP8-006D-1CPC	AZ 164-1CT-12D	GP8-012D-1CPC
AZ 164-1CT-24D	GP8-024D-1CPC	AZ 164-1CT-48D	GP8-048D-1CPC
AZ 164-1CT-110D	GP8-100/110D-1CPC	AZ 164-1CT-6A	GP8-006A-1CPC
AZ 164-1CT-12A	GP8-012A-1CPC	AZ 164-1CT-24A	GP8-024A-1CPC
AZ 164-1CT-48A	GP8-048A-1CPC	AZ 164-1CT-120A	GP8-110/120A-1CPC
AZ 164-1CT-220A	GP8-200/220A-1CPC	AZ 164-1CT-240A	GP8-220/240A-1CPC
AZ 164-2CT-6D	GP8-006D-2CPC	AZ 164-2CT-12D	GP8-012D-2CPC
AZ 164-2CT-24D	GP8-024D-2CPC	AZ 164-2CT-48D	GP8-048D-2CPC
AZ 164-2CT-110D	GP8-100/110D-2CPC	AZ 164-2CT-6A	GP8-006A-2CPC
AZ 164-2CT-12A	GP8-012A-2CPC	AZ 164-2CT-24A	GP8-024A-2CPC
AZ 164-2CT-48A	GP8-048A-2CPC	AZ 164-2CT-120A	GP8-110/120A-2CPC
AZ 164-2CT-220A	GP8-200/220A-2CPC	AZ 164-2CT-240A	GP8-220/240A-2CPC
AMERICAN ZETTLER	GEI	AMERICAN ZETTLER	GEI
AZ 164	LD5	AZ 164	LD5
AZ 164-2C-6D	LD5-006D-2CPC	AZ 164-2C-12D	LD5-012D-2CPC
AZ 164-2C-24D	LD5-024D-2CPC	AZ 164-2C-48D	LD5-048D-2CPC
AZ 164-2C-110D	LD5-100/110D-2CPC	AZ 164-2C-6A	LD5-006A-2CPC
AZ 164-2C-12A	LD5-012A-2CPC	AZ 164-2C-24A	LD5-024A-2CPC
AZ 164-2C-48A	LD5-048A-2CPC	AZ 164-2C-120A	LD5-110/120A-2CPC
AZ 164-2C-240A	LD5-220/240A-2CPC	AZ 164-3C-6D	LD5-006D-3CPC
AZ 164-3C-12D	LD5-012D-3CPC	AZ 164-3C-24D	LD5-024D-3CPC
AZ 164-3C-48D	LD5-048D-3CPC	AZ 164-3C-110D	LD5-100/110D-3CPC
AZ 164-3C-6A	LD5-006A-3CPC	AZ 164-3C-12A	LD5-012A-3CPC
AZ 164-3C-24A	LD5-024A-3CPC	AZ 164-3C-48A	LD5-048A-3CPC
AZ 164-3C-120A	LD5-110/120A-3CPC	AZ 164-3C-240A	LD5-220/240A-3CPC
AZ 164-4C-6D	LD5-006D-4CPC	AZ 164-4C-12D	LD5-012D-4CPC
AZ 164-4C-24D	LD5-024D-4CPC	AZ 164-4C-48D	LD5-048D-4CPC
AZ 164-4C-110D	LD5-100/110D-4CPC	AZ 164-4C-6A	LD5-006A-4CPC
AZ 164-4C-12A	LD5-012A-4CPC	AZ 164-4C-24A	LD5-024A-4CPC
AZ 164-4C-48A	LD5-048A-4CPC	AZ 164-4C-120A	LD5-110/120A-4CPC
AZ 164-4C-240A	LD5-220/240A-4CPC		

Greenwich Electronics, Inc.

RELAY CROSS REFERENCE

AMERICAN ZETTLER	GEI	AMERICAN ZETTLER	GEI
AZ 165	GP8	AZ 165	GP8
AZ 165-1CT-6D	GP8-006D-1CPL	AZ 165-1CT-12D	GP812-1CPL
AZ 165-1CT-24D	GP8-024D-1CPL	AZ 165-1CT-48D	GP8-048D-1CPL
AZ 165-1CT-110D	GP8-100/110D-1CPL	AZ 165-1CT-6A	GP8-006A-1CPL
AZ 165-1CT-12A	GP8-012A-1CPL	AZ 165-1CT-24A	GP8-024A-1CPL
AZ 165-1CT-48A	GP8-048A-1CPL	AZ 165-1CT-120A	GP8-110/120A-1CPL
AZ 165-1CT-220A	GP8-200/220A-1CPL	AZ 165-1CT-240A	GP8-220/240A-1CPL
AZ 165-2CT-6D	GP8-006D-2CPL	AZ 165-2CT-12D	GP8-012D-2CPL
AZ 165-2CT-24D	GP8-024D-2CPL	AZ 165-2CT-48D	GP8-048D-2CPL
AZ 165-2CT-110D	GP8-100/110D-2CPL	AZ 165-2CT-6A	GP8-006A-2CPL
AZ 165-2CT-12A	GP8-012A-2CPL	AZ 165-2CT-24A	GP8-024A-2CPL
AZ 165-2CT-48A	GP8-048A-2CPL	AZ 165-2CT-120A	GP8-110/120A-2CPL
AZ 165-2CT-220A	GP8-200/220A-2CPL	AZ 165-2CT-240A	GP8-220/240A-2CPL
AZ 165	LD5	AZ 165	LD5
AZ 165-2C-6D	LD5-006D-2CPL	AZ 165-2C-12D	LD5-012D-2CPL
AZ 165-2C-24D	LD5-024D-2CPL	AZ 165-2C-48D	LD5-048D-2CPL
AZ 165-2C-110D	LD5-100/110D-2CPL	AZ 165-2C-6A	LD5-006A-2CPL
AZ 165-2C-12A	LD5-012A-2CPL	AZ 165-2C-24A	LD5-024A-2CPL
AZ 165-2C-48A	LD5-048A-2CPL	AZ 165-2C-120A	LD5-110/120A-2CPL
AZ 165-2C-240A	LD5-220/240A-2CPL	AZ 165-3C-6D	LD5-006D-3CPL
AZ 165-3C-12D	LD5-012D-3CPL	AZ 165-3C-24D	LD5-024D-3CPL
AZ 165-3C-48D	LD5-048D-3CPL	AZ 165-3C-110D	LD5-100/110D-3CPL
AZ 165-3C-6A	LD5-006A-3CPL	AZ 165-3C-12A	LD5-012A-3CPL
AZ 165-3C-24A	LD5-024A-3CPL	AZ 165-3C-48A	LD5-048A-3CPL
AZ 165-3C-120A	LD5-110/120A-3CPL	AZ 165-3C-240A	LD5-220/240A-3CPL
AZ 165-4C-6D	LD5-006D-4CPL	AZ 165-4C-12D	LD5-012D-4CPL
AZ 165-4C-24D	LD5-024D-4CPL	AZ 165-4C-48D	LD5-048D-4CPL
AZ 165-4C-110D	LD5-100/110D-4CPL	AZ 165-4C-6A	LD5-006A-4CPL
AZ 165-4C-12A	LD5-012A-4CPL	AZ 165-4C-24A	LD5-024A-4CPL
AZ 165-4C-48A	LD5-048A-4CPL	AZ 165-4C-120A	LD5-110/120A-4CPL
AZ 165-4C-240A	LD5-220/240A-4CPL		

Greenwich Electronics, Inc.

RELAY CROSS REFERENCE

AMERICAN ZETTLER	GEI	AMERICAN ZETTLER	GEI
AZ 166	GP8	AZ 166	GP8
AZ 166-1CT-6D	GP8-006D-1CTM	AZ 166-1CT-12D	GP8-012D-1CTM
AZ 166-1CT-24D	GP8-024D-1CTM	AZ 166-1CT-48D	GP8-048D-1CTM
AZ 166-1CT-110D	GP8-100/110D-1CTM	AZ 166-1CT-6A	GP8-006A-1CTM
AZ 166-1CT-12A	GP8-012A-1CTM	AZ 166-1CT-24A	GP8-024A-1CTM
AZ 166-1CT-48A	GP8-048A-1CTM	AZ 166-1CT-120A	GP8-110/120A-1CTM
AZ 166-1CT-220A	GP8-200/220A-1CTM	AZ 166-1CT-240A	GP8-220/240A-1CTM
AZ 166-2CT-6D	GP8-006D-2CTM	AZ 166-2CT-12D	GP8-012D-2CTM
AZ 166-2CT-24D	GP8-024D-2CTM	AZ 166-2CT-48D	GP8-048D-2CTM
AZ 166-2CT-110D	GP8-100/110D-2CTM	AZ 166-2CT-6A	GP8-006A-2CTM
AZ 166-2CT-12A	GP8-012A-2CTM	AZ 166-2CT-24A	GP8-024A-2CTM
AZ 166-2CT-48A	GP8-048A-2CTM	AZ 166-2CT-120A	GP8-110/120A-2CTM
AZ 166-2CT-220A	GP8-200/220A-2CTM	AZ 166-2CT-240A	GP8-220/240A-2CTM
AZ 166	LD5	AZ 166	LD5
AZ 166-2C-6D	LD5-006D-2CTM	AZ 166-2C-12D	LD5-012D-2CTM
AZ 166-2C-24D	LD5-024D-2CTM	AZ 166-2C-48D	LD5-048D-2CTM
AZ 166-2C-110D	LD5-100/110D-2CTM	AZ 166-2C-6A	LD5-006A-2CTM
AZ 166-2C-12A	LD5-012A-2CTM	AZ 166-2C-24A	LD5-024A-2CTM
AZ 166-2C-48A	LD5-048A-2CTM	AZ 166-2C-120A	LD5-110/120A-2CTM
AZ 166-2C-240A	LD5-220/240A-2CTM	AZ 166-3C-6D	LD5-006D-3CTM
AZ 166-3C-12D	LD5-012D-3CTM	AZ 166-3C-24D	LD5-024D-3CTM
AZ 166-3C-48D	LD5-048D-3CTM	AZ 166-3C-110D	LD5-100/110D-3CTM
AZ 166-3C-6A	LD5-006A-3CTM	AZ 166-3C-12A	LD5-012A-3CTM
AZ 166-3C-24A	LD5-024A-3CTM	AZ 166-3C-48A	LD5-048A-3CTM
AZ 166-3C-120A	LD5-110/120A-3CTM	AZ 166-3C-240A	LD5-220/240A-3CTM
AZ 166-4C-6D	LD5-006D-4CTM	AZ 166-4C-12D	LD5-012D-4CTM
AZ 166-4C-24D	LD5-024D-4CTM	AZ 166-4C-48D	LD5-048D-4CTM
AZ 166-4C-110D	LD5-100/110D-4CTM	AZ 166-4C-6A	LD5-006A-4CTM
AZ 166-4C-12A	LD5-012A-4CTM	AZ 166-4C-24A	LD5-024A-4CTM
AZ 166-4C-48A	LD5-048A-4CTM	AZ 166-4C-120A	LD5-110/120A-4CTM
AZ 166-4C-240A	LD5-220/240A-4CTM		

Greenwich Electronics, Inc.

RELAY CROSS REFERENCE

AMERICAN ZETTLER	GEI	AMERICAN ZETTLER	GEI
AZ 2100	HD1	AZ 2100	HD1
AZ 2100-1A-5D	HD1-005D-A30PQD	AZ 2100-1A-6D	HD1-006D-A30PQD
AZ 2100-1A-9D	HD1-009D-A30PQD	AZ 2100-1A-12D	HD1-012D-A30PQD
AZ 2100-1A-18D	HD1-018D-A30PQD	AZ 2100-1A-24D	HD1-024D-A30PQD
AZ 2100-1A-48D	HD1-048D-A30PQD	AZ 2100-1A-110D	HD1-110D-A30PQD
AZ 2100-1B-5D	HD1-005D-B30PQD	AZ 2100-1B-6D	HD1-006D-B30PQD
AZ 2100-1B-9D	HD1-009D-B30PQD	AZ 2100-1B-12D	HD1-012D-B30PQD
AZ 2100-1B-18D	HD1-018D-B30PQD	AZ 2100-1B-24D	HD1-024D-B30PQD
AZ 2100-1B-48D	HD1-048D-B30PQD	AZ 2100-1B-110D	HD1-110D-B30PQD
AZ 2100-1C-5D	HD1-005D-C30PQD	AZ 2100-1C-6D	HD1-006D-C30PQD
AZ 2100-1C-9D	HD1-009D-C30PQD	AZ 2100-1C-12D	HD1-012D-C30PQD
AZ 2100-1C-18D	HD1-018D-C30PQD	AZ 2100-1C-24D	HD1-024D-C30PQD
AZ 2100-1C-48D	HD1-048D-C30PQD	AZ 2100-1C-110D	HD1-110D-C30PQD
AZ 2100-1A-5DE	HD1-005D-A30PQS	AZ 2100-1A-5DE	HD1-005D-A30PQS
AZ 2100-1A-6DE	HD1-006D-A30PQS	AZ 2100-1A-6DE	HD1-006D-A30PQS
AZ 2100-1A-9DE	HD1-009D-A30PQS	AZ 2100-1A-9DE	HD1-009D-A30PQS
AZ 2100-1A-12DE	HD1-012D-A30PQS	AZ 2100-1A-12DE	HD1-012D-A30PQS
AZ 2100-1A-18DE	HD1-018D-A30PQS	AZ 2100-1A-24DE	HD1-024D-A30PQS
AZ 2100-1A-24DE	HD1-024D-A30PQS	AZ 2100-1A-48DE	HD1-048D-A30PQS
AZ 2100-1A-48DE	HD1-048D-A30PQS	AZ 2100-1B-9DE	HD1-110D-A30PQS
AZ 2100-1A-110DE	HD1-110D-A30PQS	AZ 2100-1A-110DE	HD1-110D-A30PQS
AZ 2100-1B-5DE	HD1-005D-B30PQS	AZ 2100-1B-5DE	HD1-005D-B30PQS
AZ 2100-1B-6DE	HD1-006D-B30PQS	AZ 2100-1B-6DE	HD1-006D-B30PQS
AZ 2100-1B-9DE	HD1-009D-B30PQS	AZ 2100-1B-12DE	HD1-012D-B30PQS
AZ 2100-1B-12DE	HD1-012D-B30PQS	AZ 2100-1B-18DE	HD1-018D-B30PQS
AZ 2100-1B-24DE	HD1-024D-B30PQS	AZ 2100-1B-24DE	HD1-024D-B30PQS
AZ 2100-1B-48DE	HD1-048D-B30PQS	AZ 2100-1B-48DE	HD1-048D-B30PQS
AZ 2100-1B-110DE	HD1-110D-B30PQS	AZ 2100-1B-110DE	HD1-110D-B30PQS
AZ 2100-1C-5DE	HD1-005D-C30PQS	AZ 2100-1C-5DE	HD1-005D-C30PQS
AZ 2100-1C-6DE	HD1-006D-C30PQS	AZ 2100-1C-6DE	HD1-006D-C30PQS
AZ 2100-1C-9DE	HD1-009D-C30PQS	AZ 2100-1C-9DE	HD1-009D-C30PQS
AZ 2100-1C-12DE	HD1-012D-C30PQS	AZ 2100-1C-12DE	HD1-012D-C30PQS
AZ 2100-1C-18DE	HD1-018D-C30PQS	AZ 2100-1C-24DE	HD1-024D-C30PQS
AZ 2100-1C-24DE	HD1-024D-C30PQS	AZ 2100-1C-48DE	HD1-048D-C30PQS
AZ 2100-1C-48DE	HD1-048D-C30PQS	AZ 2100-1C-110DE	HD1-110D-C30PQS
AZ 2100-1C-110DE	HD1-110D-C30PQS		

Greenwich Electronics, Inc.

RELAY CROSS REFERENCE

AMERICAN ZETTLER	GEI	AMERICAN ZETTLER	GEI
AZ 2150	HD1	AZ 2150	HD1
AZ 2150-1A-5D	HD1-005D-A10PCDN	AZ 2150-1A-6D	HD1-006D-A10PCDN
AZ 2150-1A-9D	HD1-009D-A10PCDN	AZ 2150-1A-12D	HD1-012D-A10PCDN
AZ 2150-1A-18D	HD1-018D-A10PCDN	AZ 2150-1A-24D	HD1-024D-A10PCDN
AZ 2150-1A-48D	HD1-048D-A10PCDN	AZ 2150-1A-110D	HD1-110D-A10PCDN
AZ 2150-1B-5D	HD1-005D-B10PCDN	AZ 2150-1B-6D	HD1-006D-B10PCDN
AZ 2150-1B-9D	HD1-009D-B10PCDN	AZ 2150-1B-12D	HD1-012D-B10PCDN
AZ 2150-1B-18D	HD1-018D-B10PCDN	AZ 2150-1B-24D	HD1-024D-B10PCDN
AZ 2150-1B-48D	HD1-048D-B10PCDN	AZ 2150-1B-110D	HD1-110D-B10PCDN
AZ 2150-1C-5D	HD1-005D-C10PCDN	AZ 2150-1C-6D	HD1-006D-C10PCDN
AZ 2150-1C-9D	HD1-009D-C10PCDN	AZ 2150-1C-12D	HD1-012D-C10PCDN
AZ 2150-1C-18D	HD1-018D-C10PCDN	AZ 2150-1C-24D	HD1-024D-C10PCDN
AZ 2150-1C-48D	HD1-048D-C10PCDN	AZ 2150-1C-110D	HD1-110D-C10PCDN
AZ 2150-1A-5DE	HD1-005D-A10PCSN	AZ 2150-1A-6DE	HD1-006D-A10PCSN
AZ 2150-1A-9DE	HD1-009D-A10PCSN	AZ 2150-1A-12DE	HD1-012D-A10PCSN
AZ 2150-1A-18DE	HD1-012D-A10PCSN	AZ 2150-1A-24DE	HD1-024D-A10PCSN
AZ 2150-1A-48DE	HD1-048D-A10PCSN	AZ 2150-1A-110DE	HD1-110D-A10PCSN
AZ 2150-1B-5DE	HD1-005D-B10PCSN	AZ 2150-1B-6DE	HD1-006D-B10PCSN
AZ 2150-1B-9DE	HD1-009D-B10PCSN	AZ 2150-1B-12DE	HD1-012D-B10PCSN
AZ 2150-1B-18DE	HD1-018D-B10PCSN	AZ 2150-1B-24DE	HD1-024D-B10PCSN
AZ 2150-1B-48DE	HD1-048D-B10PCSN	AZ 2150-1B-110DE	HD1-110D-B10PCSN
AZ 2150-1C-5DE	HD1-005D-C10PCSN	AZ 2150-1C-6DE	HD1-006D-C10PCSN
AZ 2150-1C-9DE	HD1-009D-C10PCSN	AZ 2150-1C-12DE	HD1-012D-C10PCSN
AZ 2150-1C-18DE	HD1-018D-C10PCSN	AZ 2150-1C-24DE	HD1-024D-C10PCSN
AZ 2150-1C-48DE	HD1-048D-C10PCSN	AZ 2150-1C-110DE	HD1-110D-C10PCSN

AMERICAN ZETTLER	GEI	AMERICAN ZETTLER	GEI
AZ 2151	HD1	AZ 2151	HD1
AZ 2151-1A-5D	HD1-005D-A30PCD	AZ 2151-1A-6D	HD1-006D-A30PCD
AZ 2151-1A-9D	HD1-009D-A30PCD	AZ 2151-1A-12D	HD1-012D-A30PCD
AZ 2151-1A-18D	HD1-018D-A30PCD	AZ 2151-1A-24D	HD1-024D-A30PCD
AZ 2151-1A-48D	HD1-048D-A30PCD	AZ 2151-1A-110D	HD1-110D-A30PCD
AZ 2151-1B-5D	HD1-005D-B30PCD	AZ 2151-1B-6D	HD1-006D-B30PCD
AZ 2151-1B-9D	HD1-009D-B30PCD	AZ 2151-1B-12D	HD1-012D-B30PCD
AZ 2151-1B-18D	HD1-018D-B30PCD	AZ 2151-1B-24D	HD1-024D-B30PCD
AZ 2151-1B-48D	HD1-048D-B30PCD	AZ 2151-1B-110D	HD1-110D-B30PCD
AZ 2151-1C-5D	HD1-005D-C30PCD	AZ 2151-1C-6D	HD1-006D-C30PCD
AZ 2151-1C-9D	HD1-009D-C30PCD	AZ 2151-1C-12D	HD1-012D-C30PCD
AZ 2151-1C-18D	HD1-018D-C30PCD	AZ 2151-1C-24D	HD1-024D-C30PCD
AZ 2151-1C-48D	HD1-048D-C30PCD	AZ 2151-1C-110D	HD1-110D-C30PCD
AZ 2151-1A-5DE	HD1-005D-A30PCS	AZ 2151-1A-5DE	HD1-005D-A30PCS
AZ 2151-1A-6DE	HD1-006D-A30PCS	AZ 2151-1A-6DE	HD1-006D-A30PCS

Greenwich Electronics, Inc.

RELAY CROSS REFERENCE

AZ 2151-1A-9DE	HD1-009D-A30PCS	AZ 2151-1A-9DE	HD1-009D-A30PCS
AZ 2151-1A-12DE	HD1-012D-A30PCS	AZ 2151-1A-12DE	HD1-012D-A30PCS
AZ 2151-1A-18DE	HD1-018D-A30PCS	AZ 2151-1A-24DE	HD1-024D-A30PCS
AZ 2151-1A-24DE	HD1-024D-A30PCS	AZ 2151-1A-48DE	HD1-048D-A30PCS
AZ 2151-1A-48DE	HD1-048D-A30PCS	AZ 2151-1A-110DE	HD1-110D-A30PCS
AZ 2151-1A-110DE	HD1-110D-A30PCS	AZ 2151-1B-5DE	HD1-005D-B30PCS
AZ 2151-1B-5DE	HD1-005D-B30PCS	AZ 2151-1B-6DE	HD1-006D-B30PCS
AZ 2151-1B-6DE	HD1-006D-B30PCS	AZ 2151-1B-9DE	HD1-009D-B30PCS
AZ 2151-1B-9DE	HD1-009D-B30PCS	AZ 2151-1B-12DE	HD1-012D-B30PCS
AZ 2151-1B-12DE	HD1-012D-B30PCS	AZ 2151-1B-18DE	HD1-018D-B30PCS
AZ 2151-1B-24DE	HD1-024D-B30PCS	AZ 2151-1B-24DE	HD1-024D-B30PCS
AZ 2151-1B-48DE	HD1-048D-B30PCS	AZ 2151-1B-48DE	HD1-048D-B30PCS
AZ 2151-1B-110DE	HD1-110D-B30PCS	AZ 2151-1B-110DE	HD1-110D-B30PCS
AZ 2151-1C-5DE	HD1-005D-C30PCS	AZ 2151-1C-5DE	HD1-005D-C30PCS
AZ 2151-1C-6DE	HD1-006D-C30PCS	AZ 2151-1C-6DE	HD1-006D-C30PCS
AZ 2151-1C-6DE	HD1-009D-C30PCS	AZ 2151-1C-9DE	HD1-009D-C30PCS
AZ 2151-1C-12DE	HD1-012D-C30PCS	AZ 2151-1C-12DE	HD1-012D-C30PCS
AZ 2151-1C-18DE	HD1-018D-C30PCS	AZ 2151-1C-24DE	HD1-024D-C30PCS
AZ 2151-1C-24DE	HD1-024D-C30PCS	AZ 2151-1C-48DE	HD1-0048D-C30PCS
AZ 2151-1C-48DE	HD1-0048D-C30PCS	AZ 2151-1C-110DE	HD1-110D-C30PCS
AZ 2151-1C-110DE	HD1-110D-C30PCS		

AMERICAN ZETTLER

GEI

AZ 2280

HD1

AZ 2280-1A-5D	HD1-005D-A30PMD
AZ 2280-1A-9D	HD1-009D-A30PMD
AZ 2280-1A-18D	HD1-018D-A30PMD
AZ 2280-1A-48D	HD1-048D-A30PMD
AZ 2280-1B-5D	HD1-005D-B30PMD
AZ 2280-1B-9D	HD1-009D-B30PMD
AZ 2280-1B-18D	HD1-018D-B30PMD
AZ 2280-1B-48D	HD1-048D-B30PMD
AZ 2280-1C-5D	HD1-005D-C30PMD
AZ 2280-1C-9D	HD1-006D-C30PMD
AZ 2280-1C-18D	HD1-018D-C30PMD
AZ 2280-1C-48D	HD1-048D-C30PMD
AZ 2280-1A-5DE	HD1-005D-A30PMS
AZ 2280-1A-6DE	HD1-006D-A30PMS
AZ 2280-1A-9DE	HD1-009D-A30PMS
AZ 2280-1A-12DE	HD1-012D-A30PMS
AZ 2280-1A-18DE	HD1-018D-A30PMS
AZ 2280-1A-24DE	HD1-024D-A30PMS
AZ 2280-1A-48DE	HD1-048D-A30PMS
AZ 2280-1A-110DE	HD1-110D-A30PMS
AZ 2280-1B-5DE	HD1-005D-B30PMS

AMERICAN ZETTLER

GEI

AZ 2280

HD1

AZ 2280-1A-6D	HD1-006D-A30PMD
AZ 2280-1A-12D	HD1-012D-A30PMD
AZ 2280-1A-24D	HD1-024D-A30PMD
AZ 2280-1A-110D	HD1-110D-A30PMD
AZ 2280-1B-6D	HD1-006D-B30PMD
AZ 2280-1B-12D	HD1-012D-B30PMD
AZ 2280-1B-24D	HD1-024D-B30PMD
AZ 2280-1B-110D	HD1-110D-B30PMD
AZ 2280-1C-6D	HD1-006D-C30PMD
AZ 2280-1C-12D	HD1-012D-C30PMD
AZ 2280-1C-24D	HD1-024D-C30PMD
AZ 2280-1C-110D	HD1-110D-C30PMD
AZ 2280-1A-5DE	HD1-005D-A30PMS
AZ 2280-1A-6DE	HD1-006D-A30PMS
AZ 2280-1A-9DE	HD1-009D-A30PMS
AZ 2280-1A-12DE	HD1-012D-A30PMS
AZ 2280-1A-24DE	HD1-024D-A30PMS
AZ 2280-1A-48DE	HD1-048D-A30PMS
AZ 2280-1A-110DE	HD1-110D-A30PMS
AZ 2280-1B-5DE	HD1-005D-B30PMS
AZ 2280-1B-6DE	HD1-006D-B30PMS

Greenwich Electronics, Inc.

RELAY CROSS REFERENCE

AZ 2280-1B-6DE	HD1-006D-B30PMS	AZ 2280-1B-9DE	HD1-009D-B30PMS
AZ 2280-1B-9DE	HD1-009D-B30PMS	AZ 2280-1B-12DE	HD1-012D-B30PMS
AZ 2280-1B-12DE	HD1-012D-B30PMS	AZ 2280-1B-18DE	HD1-018D-B30PMS
AZ 2280-1B-24DE	HD1-024D-B30PMS	AZ 2280-1B-24DE	HD1-024D-B30PMS
AZ 2280-1B-48DE	HD1-048D-B30PMS	AZ 2280-1B-48DE	HD1-048D-B30PMS
AZ 2280-1B-110DE	HD1-110D-B30PMS	AZ 2280-1B-110DE	HD1-110D-B30PMS
AZ 2280-1C-5DE	HD1-005D-C30PMS	AZ 2280-1C-5DE	HD1-005D-C30PMS
AZ 2280-1C-6DE	HD1-006D-C30PMS	AZ 2280-1C-6DE	HD1-006D-C30PMS
AZ 2280-1C-9DE	HD1-009D-C30PMS	AZ 2280-1C-9DE	HD1-009D-C30PMS
AZ 2280-1C-12DE	HD1-012D-C30PMS	AZ 2280-1C-12DE	HD1-012D-C30PMS
AZ 2280-1C-18DE	HD1-018D-C30PMS	AZ 2280-1C-24DE	HD1-018D-C30PMS
AZ 2280-1C-24DE	HD1-024D-C30PMS	AZ 2280-1C-48DE	HD1-048D-C30PMS
AZ 2280-1C-48DE	HD1-048D-C30PMS	AZ 2280-1C-110DE	HD1-110D-C30PMS
AZ 2280-1C-110DE	HD1-110D-C30PMS		

AMERICAN ZETTLER	GEI	AMERICAN ZETTLER	GEI
AZ 2692	KH	AZ 2692	KH
AZ 2692-125-2	KH1-H5S	AZ 2692-112-2	KH1-H6S
AZ 2692-08-2	KH1-H12S	AZ 2692-560-2	KH1-H24S
AZ 2692-04-2	KH1-H48S	AZ 2692-125-4	KH11-H5S
AZ 2692-112-4	KH11-H6S	AZ 2692-08-4	KH11-H12S
AZ 2692-560-4	KH11-H24S	AZ 2692-04-4	KH11-H48S

AMERICAN ZETTLER	GEI	AMERICAN ZETTLER	GEI
AZ 2850	HD2	AZ 2850	HD2
AZ 2850-2C-6D	HD2-006D-2CPCD	AZ 2850-2C-12D	HD2-012D-2CPCD
AZ 2850-2C-24D	HD2-024D-2CPCD	AZ 2850-2C-48D	HD2-048D-2CPCD
AZ 2850-2A-6D	HD2-006-2APCD	AZ 2850-2A-12D	HD2-012D-2APCD
AZ 2850-2A-24D	HD2-024D-2APCD	AZ 2850-2A-48D	HD2-048D-2APCD
AZ 2850-2C-6DE	HD2-006D-2CPCS	AZ 2850-2C-12DE	HD2-012D-2CPCS
AZ 2850-2C-24DE	HD2-024D-2CPCS	AZ 2850-2C-48DE	HD2-048D-2CPCS
AZ 2850-2A-6DE	HD2-006D-2APCS	AZ 2850-2A-12DE	HD2-012D-2APCS
AZ 2850-2A-24DE	HD2-024D-2APCS	AZ 2850-2A-48DE	HD2-048D-2APCS
AZ 2850-2C-12A	HD2-012A-2CPCD	AZ 2850-2C-24A	HD2-024A-2CPCD
AZ 2850-2C-120A	HD2-120A-2CPCD	AZ 2850-2C-240A	HD2-240A-2CPCD
AZ 2850-2C-277A	HD2-277A-2CPCD	AZ 2850-2A-12A	HD2-012A-2APCD
AZ 2850-2A-24A	HD2-024A-2APCD	AZ 2850-2A-120A	HD2-120A-2APCD
AZ 2850-2A-240A	HD2-240A-2APCD	AZ 2850-2A-277A	HD2-277A-2APCD
AZ 2850-2C-12AE	HD2-012A-2CPCS	AZ 2850-2C-24AE	HD2-024A-2CPCS
AZ 2850-2C-120AE	HD2-120A-2CPCS	AZ 2850-2C-240AE	HD2-240A-2CPCS

Greenwich Electronics, Inc.

RELAY CROSS REFERENCE

AZ 2850-2C-277AE	HD2-277A-2CPCS	AZ 2850-2A-12AE	HD2-012A-2APCS
AZ 2850-2A-24AE	HD2-024A-2APCS	AZ 2850-2A-120AE	HD2-120A-2APCS
AZ 2850-2A-240AE	HD2-240A-2APCS	AZ 2850-2A-277AE	HD2-277A-2APCS

AMERICAN ZETTLER	GEI	AMERICAN ZETTLER	GEI
AZ 5X	LS1	AZ 5X	LS1
AZ 5X-1C-5DSE	LS1-005-5H1S	AZ 5X-1C-6DSE	LS1-006-5H1S
AZ 5X-1C-12DSE	LS1-012-5H1S	AZ 5X-1C-24DSE	LS1-024-5H1S
AZ 5X-1C-5DE	LS1-005-5L1S	AZ 5X-1C-6DE	LS1-006-5L1S
AZ 5X-1C-12DE	LS1-012-5L1S	AZ 5X-1C-24DE	LS1-024-5L1S
AZ 5X-1CH-5DE	LS1-005-5L3S	AZ 5X-1CH-6DE	LS1-006-5L3S
AZ 5X-1CH-12DE	LS1-012-5L3S	AZ 5X-1CH-24DE	LS1-024-5L3S

AMERICAN ZETTLER	GEI	AMERICAN ZETTLER	GEI
AZ 5Y	LS1	AZ 5Y	LS1
AZ 5Y-1C-5DSE	LS1-005-6H1S	AZ 5Y-1C-6DSE	LS1-006-6H1S
AZ 5Y-1C-12DSE	LS1-012-6H1S	AZ 5Y-1C-24DSE	LS1-024-6H1S
AZ 5Y-1C-5DE	LS1-005-6L1S	AZ 5Y-1C-6DE	LS1-006-6L1S
AZ 5Y-1C-12DE	LS1-012-6L1S	AZ 5Y-1C-24DE	LS1-024-6L1S
AZ 5Y-1CH-5DE	LS1-005-6L3S	AZ 5Y-1CH-6DE	LS1-006-6L3S
AZ 5Y-1CH-12DE	LS1-012-6L3S	AZ 5Y-1CH-24DE	LS1-024-6L3S

AMERICAN ZETTLER	GEI	AMERICAN ZETTLER	GEI
AZ 692	KH	AZ 692	KH
AZ 692-125-2	KH1-H5S	AZ 692-112-2	KH1-H6S
AZ 692-08-2	KH1-H12S	AZ 692-560-2	KH1-H24S
AZ 692-125-4	KH11-H5S	AZ 692-112-4	KH11-H6S
AZ 692-08-4	KH11-H12S	AZ 692-560-4	KH11-H24S
AZ 692-04-4	KH11-H48S		

Greenwich Electronics, Inc.

RELAY CROSS REFERENCE

AMERICAN ZETTLER GEI AMERICAN ZETTLER GEI

AZ 696

GP3

AZ 696

GP3

AZ 696-1A-5DE	GP3-005-AS	AZ 696-1A-6DE	GP3-006-AS
AZ 696-1A-12DE	GP3-012-AS	AZ 696-1A-24DE	GP3-024-AS
AZ 696-1A-48DE	GP3-048-AS	AZ 696-1C-5DE	GP3-005-CS
AZ 696-1C-6DE	GP3-006-CS	AZ 696-1C-12DE	GP3-012-CS
AZ 696-1C-24DE	GP3-024-CS	AZ 696-1C-48DE	GP3-048-CS

AMERICAN ZETTLER GEI

AZ 697

CH

AMERICAN ZETTLER GEI

AZ 697

CH

AZ 697-1C-3D	CH1-HD3F	AZ 697-1C-5D	CH1-HD5F
AZ 697-1C-6D	CH1-HD6F	AZ 697-1C-12D	CH1-HD12F
AZ 697-1C-24D	CH1-HD24F	AZ 697-1C-48D	CH1-HD48F
AZ 697-1A-3D	CH11-HD3F	AZ 697-1A-5D	CH11-HD5F
AZ 697-1A-6D	CH11-HD6F	AZ 697-1A-12D	CH11-HD12F
AZ 697-1A-24D	CH11-HD24F	AZ 697-1A-48D	CH11-HD48F
AZ 697-1C-3DE	CH1-HD3S	AZ 697-1C-5DE	CH1-HD5S
AZ 697-1C-6DE	CH1-HD6S	AZ 697-1C-12DE	CH1-HD12S
AZ 697-1C-24DE	CH1-HD24S	AZ 697-1C-48DE	CH1-HD48S
AZ 697-1A-3DE	CH11-HD3S	AZ 697-1A-5DE	CH11-HD5S
AZ 697-1A-6DE	CH11-HD6S	AZ 697-1A-12DE	CH11-HD12S
AZ 697-1A-24DE	CH11-HD24S	AZ 697-1A-48DE	CH11-HD48S

AMERICAN ZETTLER GEI

AZ 760

HD3

AMERICAN ZETTLER GEI

AZ 760

HD3

AZ 760-1A-12D	HD3-012-A	AZ 760-1A-24D	HD3-024-A
---------------	-----------	---------------	-----------

AMERICAN ZETTLER GEI

AZ 767

LD3

AMERICAN ZETTLER GEI

AZ 767

LD3

AZ 767-1C-3D	LD3-003-C5D	AZ 767-1C-5D	LD3-005-C5D
AZ 767-1C-6D	LD3-006-C5D	AZ 767-1C-9D	LD3-009-C5D
AZ 767-1C-12D	LD3-012-C5D	AZ 767-1C-24D	LD3-024-C5D
AZ 767-1A-3DS	LD3-003-AH5D	AZ 767-1A-5DS	LD3-005-AH5D

Greenwich Electronics, Inc.

RELAY CROSS REFERENCE

AZ 767-1A-6DS	LD3-006-AH5D	AZ 767-1A-9DS	LD3-009-AH5D
AZ 767-1A-12DS	LD3-012-AH5D	AZ 767-1A-24DS	LD3-024-AH5D
AZ 767-1A-3D	LD3-003-A10D	AZ 767-1A-5D	LD3-005-A10D
AZ 767-1A-6D	LD3-006-A10D	AZ 767-1A-9D	LD3-009-A10D
AZ 767-1A-12D	LD3-012-A10D	AZ 767-1A-24D	LD3-024-A10D
AZ 767-1C-3DE	LD3-003-C5S	AZ 767-1C-5DE	LD3-005-C5S
AZ 767-1C-6DE	LD3-006-C5S	AZ 767-1C-9DE	LD3-009-C5S
AZ 767-1C-12DE	LD3-012-C5S	AZ 767-1C-24DE	LD3-024-C5S
AZ 767-1A-3DSE	LD3-003-AH5S	AZ 767-1A-5DSE	LD3-005-AH5S
AZ 767-1A-6DSE	LD3-006-AH5S	AZ 767-1A-9DSE	LD3-009-AH5S
AZ 767-1A-12DSE	LD3-012-AH5S	AZ 767-1A-24DSE	LD3-024-AH5S
AZ 767-1A-3DE	LD3-003-A10S	AZ 767-1A-5DE	LD3-005-A10S
AZ 767-1A-6DE	LD3-006-A10S	AZ 767-1A-9DE	LD3-009-A10S
AZ 767-1A-12DE	LD3-012-A10S	AZ 767-1A-24DE	LD3-024-A10S

AMERICAN ZETTLER	GEI	AMERICAN ZETTLER	GEI
AZ 769	HD4	AZ 769	HD4
AZ 769-1A-5DK	HD4-005-APC	AZ 769-1A-12DK	HD4-012-APC
AZ 769-1A-24DK	HD4-024-APC	AZ 769-1A-5D	HD4-005-APQ
AZ 769-1A-12D	HD4-012-APQ	AZ 769-1A-24D	HD4-024-APQ

AMERICAN ZETTLER	GEI	AMERICAN ZETTLER	GEI
AZ 8	GP2	AZ 8	GP2
AZ 8-1A-6D	GP2-006-AH5D	AZ 8-1A-9D	GP2-009-AH5D
AZ 8-1A-12D	GP2-012-AH5D	AZ 8-1A-24D	GP2-024-AH5D
AZ 8-1A-48D	GP2-048-AH5D	AZ 8-1C-6D	GP2-006-CH5D
AZ 8-1C-9D	GP2-009-CH5D	AZ 8-1C-12D	GP2-012-CH5D
AZ 8-1C-24D	GP2-024-CH5D	AZ 8-1C-48D	GP2-048-CH5D
AZ 8-1AT-6D	GP2-006-AH10D	AZ 8-1AT-9D	GP2-009-AH10D
AZ 8-1AT-12D	GP2-012-AH10D	AZ 8-1AT-24D	GP2-024-AH10D
AZ 8-1AT-48D	GP2-048-AH10D	AZ 8-1CH-6D	GP2-006-CH10D
AZ 8-1CT-6D	GP2-006-CH10D	AZ 8-1CT-9D	GP2-009-CH10D
AZ 8-1CH-9D	GP2-009-CH10D	AZ 8-1CH-12D	GP2-012-CH10D
AZ 8-1CT-12D	GP2-012-CH10D	AZ 8-1CH-24D	GP2-024-CH10D
AZ 8-1CT-24D	GP2-024-CH10D	AZ 8-1CH-48D	GP2-048-CH10D
AZ 8-1CT-48D	GP2-048-CH10D	AZ 8-1A-6DE	GP2-003-AH56
AZ 8-1A-9DE	GP2-009-AH5S	AZ 8-1A-12DE	GP2-012-AH5S
AZ 8-1A-24DE	GP2-024-AH5S	AZ 8-1A-48DE	GP2-048-AH5S
AZ 8-1C-6DE	GP2-006-CH5S	AZ 8-1C-9DE	GP2-009-CH5S
AZ 8-1C-12DE	GP2-012-CH5S	AZ 8-1C-24DE	GP2-024-CH5S

Greenwich Electronics, Inc.

RELAY CROSS REFERENCE

AZ 8-1C-48DE	GP2-048-CH5S	AZ 8-1AT-6DE	GP2-006-AH10S
AZ 8-1AT-9DE	GP2-009-AH10S	AZ 8-1AT-12DE	GP2-012-AH10S
AZ 8-1AT-24DE	GP2-024-AH10S	AZ 8-1AT-48DE	GP2-048-AH10S
AZ 8-1CT-6DE	GP2-006-CH10S	AZ 8-1CH-6DE	GP2-006-CH10S
AZ 8-1CH-9DE	GP2-009-CH10S	AZ 8-1CT-9DE	GP2-009-CH10S
AZ 8-1CT-12DE	GP2-012-CH10S	AZ 8-1CH-12DE	GP2-012-CH10S
AZ 8-1CT-24DE	GP2-003-CH124	AZ 8-1CH-24DE	GP2-003-CH124
AZ 8-1CH-48DE	GP2-048-CH10S	AZ 8-1CT-48DE	GP2-048-CH10S

AMERICAN ZETTLER	GEI	AMERICAN ZETTLER	GEI
AZ 830	LS3	AZ 830	LS3
AZ 830-2C-5DSE	LS3-005-S	AZ 830-2C-6DSE	LS3-006-S
AZ 830-2C-9DSE	LS3-009-S	AZ 830-2C-12DSE	LS3-012-S
AZ 830-2C-24DSE	LS3-024-S	AZ 830-2C-48DSE	LS3-048-S

AMERICAN ZETTLER	GEI	AMERICAN ZETTLER	GEI
AZ 832P	LS3	AZ 832P	LS3
AZ 832P1-2C-5DSE	LS3-005-1LS	AZ 832P1-2C-12DE	LS3-012-1LS
AZ 832P1-2C-24DE	LS3-024-1LS	AZ 832P2-2C-5DSE	LS3-005-2LS
AZ 832P2-2C-12DE	LS3-012-2LS	AZ 832P2-2C-24DE	LS3-024-2LS
AZ 832P1-2C-5DSE	LS3-005-H1LS	AZ 832P1-2C-12DSE	LS3-012-H1LS
AZ 832P1-2C-24DSE	LS3-024-H1LS	AZ 832P2-2C-5DSE	LS3-005-H2LS
AZ 832P2-2C-12DSE	LS3-012-H2LS	AZ 832P2-2C-24DSE	LS3-024-H2LS

AMERICAN ZETTLER	GEI	AMERICAN ZETTLER	GEI
AZ 940	LD2	AZ 940	LD2
AZ 940-1A-3D	LD2-003-AD	AZ 940-1A-9D	LD2-005-AD
AZ 940-1A-5D	LD2-005-AD	AZ 940-1A-5D	LD2-006-AD
AZ 940-1A-6D	LD2-009-AD	AZ 940-1A-12D	LD2-012-AD
AZ 940-1A-18D	LD2-018-AD	AZ 940-1A-24D	LD2-024-AD
AZ 940-1C-3D	LD2-003-CD	AZ 940-1C-5D	LD2-005-CD
AZ 940-1C-6D	LD2-006-CD	AZ 940-1C-9D	LD2-009-CD
AZ 940-1C-12D	LD2-012-CD	AZ 940-1C-18D	LD2-018-CD
AZ 940-1C-24D	LD2-024-CD	AZ 940-1A-3DE	LD2-003-AS
AZ 940-1A-5DE	LD2-005-AS	AZ 940-1A-6DE	LD2-006-AS
AZ 940-1A-9DE	LD2-009-AS	AZ 940-1A-12DE	LD2-012-AS

Greenwich Electronics, Inc.

RELAY CROSS REFERENCE

AZ 940-1A-18DE	LD2-018-AS	AZ 940-1A-24DE	LD2-024-AS
AZ 940-1C-3DE	LD2-003-CS	AZ 940-1C-5DE	LD2-005-CS
AZ 940-1C-6DE	LD2-006-CS	AZ 940-1C-9DE	LD2-009-CS
AZ 940-1C-12DE	LD2-012-CS	AZ 940-1C-18DE	LD2-018-CS
AZ 940-1C-24DE	LD2-024-CS	AZ 940-1A-3DS	LD2-003-AHD
AZ 940-1A-5DS	LD2-005-AHD	AZ 940-1A-6DS	LD2-006-AHD
AZ 940-1A-9DS	LD2-009-AHD	AZ 940-1A-12DS	LD2-012-AHD
AZ 940-1A-18DS	LD2-018-AHD	AZ 940-1A-24DS	LD2-024-AHD
AZ 940-1C-3DS	LD2-003-CHD	AZ 940-1C-5DS	LD2-005-CHD
AZ 940-1C-6DS	LD2-006-CHD	AZ 940-1C-9DS	LD2-009-CHD
AZ 940-1C-12DS	LD2-012-CHD	AZ 940-1C-18DS	LD2-018-CHD
AZ 940-1C-24DS	LD2-024-CHD	AZ 940-1A-3DSE	LD2-003-AHS
AZ 940-1A-5DSE	LD2-005-AHS	AZ 940-1A-6DSE	LD2-006-AHS
AZ 940-1A-9DSE	LD2-009-AHS	AZ 940-1A-12DSE	LD2-012-AHS
AZ 940-1A-18DSE	LD2-018-AHS	AZ 940-1A-24DSE	LD2-024-AHS
AZ 940-1C-3DSE	LD2-003-CHS	AZ 940-1C-5DSE	LD2-005-CHS
AZ 940-1C-6DSE	LD2-006-CHS	AZ 940-1C-9DSE	LD2-009-CHS
AZ 940-1C-12DSE	LD2-012-CHS	AZ 940-1C-18DSE	LD2-018-CHS
AZ 940-1C-24DSE	LD2-024-CHS		

AMERICAN ZETTLER

GEI

AZ 941

GP1

AZ 941-1C-5D	GP1-005-C5S
AZ 941-1C-5DE	GP1-005-C5S
AZ 941-1C-6D	GP1-006-C5S
AZ 941-1C-6DE	GP1-006-C5S
AZ 941-1CH-12DE	GP1-012-C5S
AZ 941-1C-12DE	GP1-012-C5S
AZ 941-1C-24D	GP1-024-C5S
AZ 941-1CH-24DE	GP1-024-C5S
AZ 941-1C-48D	GP1-048-C5S
AZ 941-1C-48DE	GP1-048-C5S
AZ 941-1CT-5DE	GP1-005-C12S
AZ 941-1CT-6DE	GP1-006-C12S
AZ 941-1CT-12DE	GP1-012-C12S
AZ 941-1CT-24D	GP1-024-C12S
AZ 941-1CT-48DE	GP1-048-C12S
AZ 941-1CW-5D	GP1-005-C20S
AZ 941-1CW-6DE	GP1-006-C20S
AZ 941-1CW-12D	GP1-012-C20S
AZ 941-1CW-24D	GP1-024-C20S
AZ 941-1CW-48D	GP1-048-C20S

AMERICAN ZETTLER

GEI

AZ 941

GP1

AZ 941-1CH-5D	GP1-005-C5S
AZ 941-1CH-5DE	GP1-005-C5S
AZ 941-1CH-6D	GP1-006-C5S
AZ 941-1CH-6DE	GP1-006-C5S
AZ 941-1C-12D	GP1-012-C5S
AZ 941-1CH-12D	GP1-012-C5S
AZ 941-1CH-24D	GP1-024-C5S
AZ 941-1C-24DE	GP1-024-C5S
AZ 941-1CH-48D	GP1-048-C5S
AZ 941-1CH-48DE	GP1-048-C5S
AZ 941-1CT-5D	GP1-005-C12S
AZ 941-1CT-6D	GP1-006-C12S
AZ 941-1CT-12D	GP1-012-C12S
AZ 941-1CT-24DE	GP1-024-C12S
AZ 941-1CT-48D	GP1-048-C12S
AZ 941-1CW-5DE	GP1-005-C20S
AZ 941-1CW-6D	GP1-006-C20S
AZ 941-1CW-12DE	GP1-012-C20S
AZ 941-1CW-24DE	GP1-024-C20S
AZ 941-1CW-48DE	GP1-048-C20S

Greenwich Electronics, Inc.

RELAY CROSS REFERENCE

AMERICAN ZETTLER	GEI	AMERICAN ZETTLER	GEI
AZ 942	GP1	AZ 942	GP1
AZ 942-1C-5D	GP1-005-C5S	AZ 942-1CH-5D	GP1-005-C5S
AZ 942-1C-5DE	GP1-005-C5S	AZ 942-1CH-5DE	GP1-005-C5S
AZ 942-1C-6D	GP1-006-C5S	AZ 942-1CH-6D	GP1-006-C5S
AZ 942-1C-6DE	GP1-006-C5S	AZ 942-1CH-6DE	GP1-006-C5S
AZ 942-1C-12D	GP1-012-C5S	AZ 942-1CH-12D	GP1-012-C5S
AZ 942-1C-12DE	GP1-012-C5S	AZ 942-1CH-12DE	GP1-012-C5S
AZ 942-1CH-24DE	GP1-024-C5S	AZ 942-1C-24DE	GP1-024-C5S
AZ 942-1CH-24D	GP1-024-C5S	AZ 942-1C-24D	GP1-024-C5S
AZ 942-1CH-48DE	GP1-048-C5S	AZ 942-1C-48DE	GP1-048-C5S
AZ 942-1CH-48D	GP1-048-C5S	AZ 942-1C-48D	GP1-048-C5S
AZ 942-1CT-5DE	GP1-005-C12S	AZ 942-1CT-5D	GP1-005-C12S
AZ 942-1CT-6D	GP1-006-C12S	AZ 942-1CT-6DE	GP1-006-C12S
AZ 942-1CT-12DE	GP1-012-C12S	AZ 942-1CT-12D	GP1-012-C12S
AZ 942-1CT-24DE	GP1-024-C12S	AZ 942-1CT-24D	GP1-024-C12S
AZ 942-1CT-48D	GP1-048-C12S	AZ 942-1CT-48DE	GP1-048-C12S
AZ 942-1CW-5D	GP1-005-C20S	AZ 942-1CW-5DE	GP1-005-C20S
AZ 942-1CW-6DE	GP1-006-C20S	AZ 942-1CW-6D	GP1-006-C20S
AZ 942-1CW-12D	GP1-012-C20S	AZ 942-1CW-12DE	GP1-012-C20S
AZ 942-1CW-24D	GP1-024-C20S	AZ 942-1CW-24DE	GP1-024-C20S
AZ 942-1CW-48DE	GP1-048-C20S	AZ 942-1CW-48D	GP1-048-C20S

AMERICAN ZETTLER	GEI	AMERICAN ZETTLER	GEI
AZ 944	CQ	AZ 944	CQ
AZ 944-1C-5D	CQ1-HD5S	AZ 944-1C-5DE	CQ1-HD5S
AZ 944-1C-6D	CQ1-HD6S	AZ 944-1C-6DE	CQ1-HD6S
AZ 944-1C-9DE	CQ1-HD9S	AZ 944-1C-9D	CQ1-HD9S
AZ 944-1C-12D	CQ1-HD12S	AZ 944-1C-12DE	CQ1-HD12S
AZ 944-1C-18D	CQ1-HD18S	AZ 944-1C-18DE	CQ1-HD18S
AZ 944-1C-24D	CQ1-HD24S	AZ 944-1C-24DE	CQ1-HD24S
AZ 944-1C-48DE	CQ1-HD48S	AZ 944-1C-48D	CQ1-HD48S
AZ 944-1C-100D	CQ1-HD100S	AZ 944-1C-100DE	CQ1-HD100S
AZ 944-1AH-5D	CQ11-ED5S	AZ 944-1AH-5DE	CQ11-ED5S
AZ 944-1AH-6DE	CQ11-ED6S	AZ 944-1AH-6D	CQ11-ED6S
AZ 944-1AH-9DE	CQ11-ED9S	AZ 944-1AH-9D	CQ11-ED9S
AZ 944-1AH-12DE	CQ11-ED12S	AZ 944-1AH-12D	CQ11-ED12S
AZ 944-1AH-18DE	CQ11-ED18S	AZ 944-1AH-18D	CQ11-ED18S
AZ 944-1AH-24D	CQ11-ED24S	AZ 944-1AH-24DE	CQ11-ED24S
AZ 944-1AH-48D	CQ11-ED48S	AZ 944-1AH-48DE	CQ11-ED48S
AZ 944-1AH-100D	CQ11-ED100S	AZ 944-1AH-100DE	CQ11-ED100S
AZ 944-1A-5D	CQ11-HD5S	AZ 944-1A-5DE	CQ11-HD5S
AZ 944-1A-6D	CQ11-HD6S	AZ 944-1A-6DE	CQ11-HD6S

Greenwich Electronics, Inc.

RELAY CROSS REFERENCE

AZ 944-1A-9DE	CQ11-HD9S	AZ 944-1A-9D	CQ11-HD9S
AZ 944-1A-12DE	CQ11-HD12S	AZ 944-1A-12D	CQ11-HD12S
AZ 944-1A-18D	CQ11-HD18S	AZ 944-1A-18DE	CQ11-HD18S
AZ 944-1A-24DE	CQ11-HD24S	AZ 944-1A-24D	CQ11-HD24S
AZ 944-1A-48D	CQ11-HD48S	AZ 944-1A-48DE	CQ11-HD48S
AZ 944-1A-100D	CQ11-HD100S	AZ 944-1A-100DE	CQ11-HD100S

AMERICAN ZETTLER	GEI	AMERICAN ZETTLER	GEI
AZ 946	LD1	AZ 946	LD1
AZ 946-2C-3DS	LD1-003-1D	AZ 946-2C-6DS	LD1-006-1D
AZ 946-2C-9DS	LD1-009-1D	AZ 946-2C-12DS	LD1-012-1D
AZ 946-2C-24DS	LD1-024-1D	AZ 946-2CH-3D	LD1-003-5D
AZ 946-2CH-6D	LD1-006-5D	AZ 946-2CH-9D	LD1-009-5D
AZ 946-2CH-12D	LD1-012-5D	AZ 946-2CH-24D	LD1-024-5D
AZ 946-2C-3DSE	LD1-003-1S	AZ 946-2C-6DSE	LD1-006-1S
AZ 946-2C-9DSE	LD1-009-1S	AZ 946-2C-12DSE	LD1-012-1S
AZ 946-2C-24DSE	LD1-024-1S	AZ 946-2CH-3DE	LD1-003-5S
AZ 946-2CH-6DE	LD1-006-5S	AZ 946-2CH-9DE	LD1-009-5S
AZ 946-2CH-12DE	LD1-012-5S	AZ 946-2CH-24DE	LD1-024-5S

AMERICAN ZETTLER	GEI	AMERICAN ZETTLER	GEI
AZ 951	LS1	AZ 951	LS1
AZ 951-1C-5DSE	LS1-005-5H1S	AZ 951-1C-6DSE	LS1-006-5H1S
AZ 951-1C-9DSE	LS1-009-5H1S	AZ 951-1C-12DSE	LS1-012-5H1S
AZ 951-1C-24DSE	LS1-024-5H1S	AZ 951-1C-5DE	LS1-005-5L1S
AZ 951-1C-6DE	LS1-006-5L1S	AZ 951-1C-12DE	LS1-012-5L1S
AZ 951-1C-24DE	LS1-024-5L1S	AZ 951-1CM-5DE	LS1-005-5L3S
AZ 951-1CM-6DE	LS1-006-5L3S	AZ 951-1CM-12DE	LS1-012-5L3S
AZ 951-1CM-24DE	LS1-024-5L3S	AZ 951-1CH-5DE	LS1-005-5L5S
AZ 951-1CH-6DE	LS1-006-5L5S	AZ 951-1CH-12DE	LS1-012-5L5S
AZ 951-1CH-24DE	LS1-024-5L5S		

Greenwich Electronics, Inc.

RELAY CROSS REFERENCE

AMERICAN ZETTLER	GEI	AMERICAN ZETTLER	GEI
AZ 977	AR4	AZ 977	AR4
AZ 977-1A-6DS	AR4-006-A01	AZ 977-1A-12DS	AR4-012-A01
AZ 977-1A-24DS	AR4-024-A01	AZ 977-1C-6D	AR4-006-C01
AZ 977-1C-12D	AR4-012-C01	AZ 977-1C-24D	AR4-024-C01
AZ 977-1A-6DS-R	AR4-006-A11	AZ 977-1A-12DS-R	AR4-012-A11
AZ 977-1A-24DS-R	AR4-024-A11	AZ 977-1C-6D-R	AR4-006-C11
AZ 977-1C-12D-R	AR4-012-C11	AZ 977-1C-24D-R	AR4-024-C11
AZ 977-1A-6DS	AR4-006-A01S	AZ 977-1A-12DS	AR4-012-A01S
AZ 977-1A-24DS	AR4-024-A01S	AZ 977-1C-6D	AR4-006-C01S
AZ 977-1C-12D	AR4-012-C01S	AZ 977-1C-24D	AR4-024-C01S
AZ 977-1A-6DS-R	AR4-006-A11S	AZ 977-1A-12DS-R	AR4-012-A11S
AZ 977-1A-24DS-R	AR4-024-A11S	AZ 977-1C-6D-R	AR4-006-C11S
AZ 977-1C-12D-R	AR4-012-C11S	AZ 977-1C-24D-R	AR4-024-C11S
AZ 979	AR2	AZ 979	AR2
AZ 979-1A-12D	AR2-012-A01M	AZ 979-1A-24D	AR2-024-A01M
AZ 979-1A-12D-R	AR2-012-A11M	AZ 979-1A-24D-R	AR2-024-A11M
AZ 980	AR3	AZ 980	AR3
AZ 980-1A-12D	AR3-012-A01N	AZ 980-1A-24D	AR3-024-A01N
AZ 980-1C-12D	AR3-012-C01N	AZ 980-1C-24D	AR3-024-C01N
AZ 983	AR3	AZ 983	AR3
AZ 983-1A-12D	AR3-012-A02N	AZ 983-1A-24D	AR3-024-A02N
AZ 983-1C-12D	AR3-012-C02N	AZ 983-1C-24D	AR3-024-C02N

Greenwich Electronics, Inc.

RELAY CROSS REFERENCE

AROMAT	GEI	AROMAT	GEI
CB	AR1	CB	AR1
CB1aF-12V	AR1-012-A01N	CB1aF-24V	AR1-024-A01N
CB1aF-R-12V	AR1-012-A11N	CB1aF-R-24V	AR1-024-A11N
CB1aF-D-12V	AR1-012-A21N	CB1aF-D-24V	AR1-024-A21N
CB1F-12V	AR1-012-C01N	CB1F-24V	AR1-024-C01N
CB1F-R-12V	AR1-012-C11N	CB1F-R-24V	AR1-024-C11N
CB1F-D-12V	AR1-012-C21N	CB1F-D-24V	AR1-024-C21N
CB1aF-M-12V	AR1-012-A01M	CB1aF-M-24V	AR1-024-A01M
CBa1F-RM-12V	AR1-012-A11M	CBa1F-RM-24V	AR1-024-A11M
CBa1F-DM-12V	AR1-012-A21M	CBa1F-DM-24V	AR1-024-A21M
CB1F-M-12V	AR1-012-C01M	CB1F-M-24V	AR1-024-C01M
CB1F-RM-12V	AR1-012-C11M	CB1F-RM-24V	AR1-024-C11M
CB1F-DM-12V	AR1-012-C21M	CB1F-DM-24V	AR1-024-C21M
CB1aF-P-12V	AR1-012-A02N	CB1aF-P-24V	AR1-024-A02N
CB1aF-R-P-12V	AR1-012-A12N	CB1aF-R-P-24V	AR1-024-A12N
CB1aF-D-P-12V	AR1-012-A22N	CB1aF-D-P-24V	AR1-024-A22N
CB1F-P-12V	AR1-012-C02N	CB1F-P-24V	AR1-024-C02N
CB1F-R-P-12V	AR1-012-C12N	CB1F-R-P-24V	AR1-024-C12N
CB1F-D-P-12V	AR1-012-C22N	CB1F-D-P-24V	AR1-024-C22N
CB1a-12V	AR1-012-A01NS	CB1a-24V	AR1-024-A01NS
CB1a-R-12V	AR1-012-A11NS	CB1a-R-24V	AR1-024-A11NS
CB1a-D-12V	AR1-012-A21NS	CB1a-D-24V	AR1-024-A21NS
CB1-12V	AR1-012-C01NS	CB1-24V	AR1-024-C01NS
CB1-R-12V	AR1-012-C11NS	CB1-R-24V	AR1-024-C11NS
CB1-D-12V	AR1-012-C21NS	CB1-D-24V	AR1-024-C21NS
CB1a-M-12V	AR1-012-A01MS	CB1a-M-24V	AR1-024-A01MS
CB1a-RM-12V	AR1-012-A11MS	CB1a-RM-24V	AR1-024-A11MS
CB1a-DM-12V	AR1-012-A21MS	CB1a-DM-24V	AR1-024-A21MS
CB1-M-12V	AR1-012-C01MS	CB1-M-24V	AR1-024-C01MS
CB1-RM-12V	AR1-012-C11MS	CB1-RM-24V	AR1-024-C11MS
CB1-DM-12V	AR1-012-C21MS	CB1-DM-24V	AR1-024-C21MS
CB1a-P-12V	AR1-012-A02NS	CB1a-P-24V	AR1-024-A02NS
CB1a-R-P-12V	AR1-012-A12NS	CB1a-R-P-24V	AR1-024-A12NS
CB1a-D-P-12V	AR1-012-A22NS	CB1a-D-P-24V	AR1-024-A22NS
CB1-P-12V	AR1-012-C02NS	CB1-P-24V	AR1-024-C02NS
CB1-R-P-12V	AR1-012-C12NS	CB1-R-P-24V	AR1-024-C12NS
CB1-D-P-12V	AR1-012-C22NS	CB1-D-P-24V	AR1-024-C22NS

Greenwich Electronics, Inc.

RELAY CROSS REFERENCE

AROMAT	GEI	AROMAT	GEI
CM	AR4	CM	AR4
CM1aF-12V	AR4-012-A01	CM1aF-24V	AR4-024-A01
CM1F-12V	AR4-012-C01	CM1F-24V	AR4-024-C01
CMa1F-P-12V	AR4-012-A02	CMa1F-P-24V	AR4-024-A02
CM1F-P-12V	AR4-012-C02	CM1F-P-24V	AR4-024-C02
CM1aF-R-12V	AR4-012-A11	CM1aF-R-24V	AR4-024-A11
CM1F-R-12V	AR4-012-C11	CM1F-R-24V	AR4-024-C11
CM1a-12V	AR4-012-A01S	CM1a-24V	AR4-024-A01S
CM1-12V	AR4-012-C01S	CM1-24V	AR4-024-C01S
CM1a-P-12V	AR4-012-A02S	CM1a-P-24V	AR4-024-A02S
CM1-P-12V	AR4-012-C02S	CM1-P-24V	AR4-024-C02S
CM1aF-R-P-12V	AR4-012-A12	CM1aF-R-P-24V	AR4-024-A12
CM1F-R-P-12V	AR4-012-C12	CM1F-R-P-24V	AR4-024-C12
CM1a-R-12V	AR4-012-A11S	CM1a-R-24V	AR4-024-A11S
CM1-R-12V	AR4-012-C11S	CM1-R-24V	AR4-024-C11S
CMa1-R-P-12V	AR4-012-A12S	CMa1-R-P-24V	AR4-024-A12S
CM1-R-P-12V	AR4-012-C12S	CM1-R-P-24V	AR4-024-C12S
CM1aF-D-12V	AR4-012-A21	CM1aF-D-24V	AR4-024-A21
CM1F-D-12V	AR4-012-C21	CM1F-D-24V	AR4-024-C21
CM1aF-D-P-12V	AR4-012-A22	CM1aF-D-P-24V	AR4-024-A22
CM1F-D-P-12V	AR4-012-C22	CM1F-D-P-24V	AR4-024-C22
CM1a-D-12V	AR4-012-A21S	CM1a-D-24V	AR4-024-A21S
CM1-D-12V	AR4-012-C21S	CM1-D-24V	AR4-024-C21S
CM1a-D-P-12V	AR4-012-A22S	CM1a-D-P-24V	AR4-024-A22S
CM1-D-P-12V	AR4-012-C22S	CM1-D-P-24V	AR4-024-C22S

AROMAT	GEI	AROMAT	GEI
CQ1	AR7	CQ1	AR7
CQ1-12V	AR7-012-C6S		

AROMAT	GEI	AROMAT	GEI
DS2E	CY	DS2E	CY
DS2E-S-DC5V	CY-5V	DS2E-S-DC6V	CY-6V
DS2E-S-DC9V	CY-9V	DS2E-S-DC12V	CY-12V
DS2E-S-DC24V	CY-24V	DS2E-S-DC48V	CY-48V

Greenwich Electronics, Inc.

RELAY CROSS REFERENCE

AROMAT	GEI	AROMAT	GEI
DS2E	LS3	DS2E	LS3
DS2E-SL1-DC5V	LS3-005-H1LS	DS2E-SL1-DC6V	LS3-006-H1LS
DS2E-SL1-DC9V	LS3-009-H1LS	DS2E-SL1-DC12V	LS3-012-H1LS
DS2E-SL1-DC24V	LS3-024-H1LS	DS2Y-SL2-DC5V	LS3-005-H2LS
DS2Y-SL2-DC6V	LS3-006-H2LS	DS2Y-SL2-DC9V	LS3-009-H2LS
DS2Y-SL2-DC12V	LS3-012-H2LS	DS2Y-SL2-DC24V	LS3-024-H2LS

AROMAT	GEI	AROMAT	GEI
DS2Y	CY	DS2Y	CY
DS2Y-S-DC5V	CY-5V	DS2Y-S-DC6V	CY-6V
DS2Y-S-DC9V	CY-9V	DS2Y-S-DC12V	CY-12V
DS2Y-S-DC24V	CY-24V	DS2Y-S-DC48V	CY-48V

AROMAT	GEI	AROMAT	GEI
HC1	LD5	HC1	LD5
HC1-HP-DC6V	LD5-006D-1CPC	HC1-HP-DC12V	LD5-012D-1CPC
HC1-HP-DC24V	LD5-024D-1CPC	HC1-HP-DC48V	LD5-048D-1CPC
HC1-HP-DC110V	LD5-100/110D-1CPC	HC1-H-DC6V	LD5-006D-1CPL
HC1-H-DC12V	LD5-012D-1CPL	HC1-H-DC24V	LD5-024D-1CPL
HC1-H-DC48V	LD5-048D-1CPL	HC1-H-DC110V	LD5-100/110D-1CPL
HC1-HTM-DC6V	LD5-006D-1CTM	HC1-HTM-DC12V	LD5-012D-1CTM
HC1-HTM-DC24V	LD5-024D-1CTM	HC1-HTM-DC48V	LD5-048D-1CTM
HC1-HTM-DC110V	LD5-100/110D-1CTM	HC1-HP-AC6V	LD5-006A-1CPC
HC1-HP-AC12V	LD5-012A-1CPC	HC1-HP-AC24V	LD5-024A-1CPC
HC1-HP-AC110/120V	LD5-110/120A-1CPC	HC1-HP-AC220/240V	LD5-220/240A-1CPC
HC1-H-AC6V	LD5-006A-1CPL	HC1-H-AC12V	LD5-012A-1CPL
HC1-H-AC24V	LD5-024A-1CPL	HC1-H-AC48V	LD5-048A-1CPL
HC1-H-AC110/120V	LD5-110/120A-1CPL	HC1-H-AC220/240V	LD5-220/240A-1CPL
HC1-HTM-AC6V	LD5-006A-1CTM	HC1-HTM-AC12V	LD5-012A-1CTM
HC1-HTM-AC24V	LD5-024A-1CTM	HC1-HTM-AC48V	LD5-048A-1CTM
HC1-HTM-AC110/120V	LD5-110/120A-1CTM	HC1-HTM-AC220/240V	LD5-220/240A-1CTM

Greenwich Electronics, Inc.

RELAY CROSS REFERENCE

AROMAT	GEI	AROMAT	GEI
HC2	LD5	HC2	LD5
HC2-HP-DC6V	LD5-006D-2CPC	HC2-HP-DC12V	LD5-012D-2CPC
HC2-HP-DC24V	LD5-024D-2CPC	HC2-HP-DC48V	LD5-048D-2CPC
HC2-HP-DC110V	LD5-100/110D-2CPC	HC2-H-DC6V	LD5-006D-2CPL
HC2-H-DC12V	LD5-012D-2CPL	HC2-H-DC24V	LD5-024D-2CPL
HC2-H-DC48V	LD5-048D-2CPL	HC2-H-DC110V	LD5-100/110D-2CPL
HC2-HTM-DC6V	LD5-006D-2CTM	HC2-HTM-DC12V	LD5-012D-2CTM
HC2-HTM-DC24V	LD5-024D-2CTM	HC2-HTM-DC48V	LD5-048D-2CTM
HC2-HTM-DC110V	LD5-100/110D-2CTM	HC2-HP-AC6V	LD5-006A-2CPC
HC2-HP-AC12V	LD5-012A-2CPC	HC2-HP-AC24V	LD5-024A-2CPC
HC2-HP-AC48V	LD5-048A-2CPC	HC2-HP-AC110/120V	LD5-110/120A-2CPC
HC2-HP-AC220/240	LD5-220/240A-2CPC	HC2-H-AC6V	LD5-006A-2CPL
HC2-H-AC12V	LD5-012A-2CPL	HC2-H-AC24V	LD5-024A-2CPL
HC2-H-AC48V	LD5-048A-2CPL	HC2-H-AC110/120V	LD5-110/120A-2CPL
HC2-H-AC220/240V	LD5-220/240A-2CPL	HC2-HTM-AC6V	LD5-006A-2CTM
HC2-HTM-AC12V	LD5-012A-2CTM	HC2-HTM-AC24V	LD5-024A-2CTM
HC2-HTM-AC48V	LD5-048A-2CTM	HC2-HTM-AC110/120V	LD5-110/120A-2CTM
HC2-HTM-AC220/240V	LD5-220/240A-2CTM		

AROMAT	GEI	AROMAT	GEI
HC3	LD5	HC3	LD5
HC3-HP-DC6V	LD5-006D-3CPC	HC3-HP-DC12V	LD5-012D-3CPC
HC3-HP-DC24V	LD5-024D-3CPC	HC3-HP-DC48V	LD5-048D-3CPC
HC3-HP-DC110V	LD5-100/110D-3CPC	HC3-H-DC6V	LD5-006D-3CPL
HC3-H-DC12V	LD5-012D-3CPL	HC3-H-DC24V	LD5-024D-3CPL
HC3-H-DC48V	LD5-048D-3CPL	HC3-H-DC110V	LD5-100/110D-3CPL
HC3-HTM-DC6V	LD5-006D-3CTM	HC3-HTM-DC12V	LD5-012D-3CTM
HC3-HTM-DC24V	LD5-024D-3CTM	HC3-HTM-DC48V	LD5-048D-3CTM
HC3-HTM-DC110V	LD5-100/110D-3CTM	HC3-HP-AC6V	LD5-006A-3CPC
HC3-HP-AC12V	LD5-012A-3CPC	HC3-HP-AC24V	LD5-024A-3CPC
HC3-HP-AC48V	LD5-048A-3CPC	HC3-HP-AC110/120V	LD5-110/120A-3CPC
HC3-HP-AC220/240V	LD5-220/240A-3CPC	HC3-H-AC6V	LD5-006A-3CPL
HC3-H-AC12V	LD5-012A-3CPL	HC3-H-AC24V	LD5-024A-3CPL
HC3-H-AC48V	LD5-048A-3CPL	HC3-H-AC110/120V	LD5-110/120A-3CPL
HC3-H-AC220/240V	LD5-220/240A-3CPL	HC3-HTM-AC6V	LD5-006A-3CTM
HC3-HTM-AC12V	LD5-012A-3CTM	HC3-HTM-AC24V	LD5-024A-3CTM
HC3-HTM-AC48V	LD5-048A-3CTM	HC3-HTM-AC110/120V	LD5-110/120A-3CTM
HC3-HTM-AC220/240V	LD5-220/240A-3CTM		

Greenwich Electronics, Inc.

RELAY CROSS REFERENCE

AROMAT	GEI	AROMAT	GEI
HC4	LD5	HC4	LD5
HC4-HP-DC6V	LD5-006D-4CPC	HC4-HP-DC12V	LD5-012D-4CPC
HC4-HP-DC24V	LD5-024D-4CPC	HC4-HP-DC48V	LD5-048D-4CPC
HC4-HP-DC110V	LD5-100/110D-4CPC	HC4-H-DC6V	LD5-006D-4CPL
HC4-H-DC12V	LD5-012D-4CPL	HC4-H-DC24V	LD5-024D-4CPL
HC4-H-DC48V	LD5-048D-4CPL	HC4-H-DC110V	LD5-100/110D-4CPL
HC4-HTM-DC6V	LD5-006D-4CTM	HC4-HTM-DC12V	LD5-012D-4CTM
HC4-HTM-DC24V	LD5-024D-4CTM	HC4-HTM-DC48V	LD5-048D-4CTM
HC4-HTM-DC110V	LD5-100/110D-4CTM	HC4-HP-AC6V	LD5-006A-4CPC
HC4-HP-AC12V	LD5-012A-4CPC	HC4-HP-AC24V	LD5-024A-4CPC
HC4-HP-AC48V	LD5-048A-4CPC	HC4-HP-AC110/120V	LD5-110/120A-4CPC
HC4-HP-AC220/240V	LD5-220/240A-4CPC	HC4-H-AC6V	LD5-006A-4CPL
HC4-H-AC12V	LD5-012A-4CPL	HC4-H-AC24V	LD5-024A-4CPL
HC4-H-AC48V	LD5-048A-4CPL	HC4-H-AC110/120V	LD5-110/120A-4CPL
HC4-H-AC220/240V	LD5-220/240A-4CPL	HC4-HTM-AC6V	LD5-006A-4CTM
HC4-HTM-AC12V	LD5-012A-4CTM	HC4-HTM-AC24V	LD5-024A-4CTM
HC4-HTM-AC48V	LD5-048A-4CTM	HC4-HTM-AC110/120V	LD5-110/120A-4CTM
HC4-HTM-AC220/240V	LD5-220/240A-4CTM		

AROMAT	GEI	AROMAT	GEI
HL1	GP8	HL1	GP8
HL1-HP-DC6V	GP8-006D-1CPC	HL1-HP-DC12V	GP8-012D-1CPC
HL1-HP-DC24V	GP8-024D-1CPC	HL1-HP-DC48V	GP8-048D-1CPC
HL1-HP-DC110V	GP8-100/110D-1CPC	HL1-H-DC6V	GP8-006D-1CPL
HL1-H-DC12V	GP812-1CPL	HL1-H-DC24V	GP8-024D-1CPL
HL1-H-DC48V	GP8-048D-1CPL	HL1-H-DC110V	GP8-100/110D-1CPL
HL1-HTM-DC6V	GP8-006D-1CTM	HL1-HTM-DC12V	GP8-012D-1CTM
HL1-HTM-DC24V	GP8-024D-1CTM	HL1-HTM-DC48V	GP8-048D-1CTM
HL1-HTM-DC110V	GP8-100/110D-1CTM	HL1-HP-AC6V	GP8-006A-1CPC
HL1-HP-AC12V	GP8-012A-1CPC	HL1-HP-AC24V	GP8-024A-1CPC
HL1-HP-AC48V	GP8-048A-1CPC	HL1-HP-AC110/120V	GP8-110/120A-1CPC
HL1-HP-AC220/240V	GP8-220/240A-1CPC	HL1-H-AC6V	GP8-006A-1CPL
HL1-H-AC12V	GP8-012A-1CPL	HL1-H-AC24V	GP8-024A-1CPL
HL1-H-AC48V	GP8-048A-1CPL	HL1-H-AC110/120V	GP8-110/120A-1CPL
HL1-H-AC220/240V	GP8-220/240A-1CPL	HL1-HTM-AC6V	GP8-006A-1CTM
HL1-HTM-AC12V	GP8-012A-1CTM	HL1-HTM-AC24V	GP8-024A-1CTM
HL1-HTM-AC48V	GP8-048A-1CTM	HL1-HTM-AC220/240V	GP8-220/240A-1CTM

Greenwich Electronics, Inc.

RELAY CROSS REFERENCE

AROMAT	GEI	AROMAT	GEI
HL2	GP8	HL2	GP8
HL2-HP-DC6V	GP8-006D-2CPC	HL2-HP-DC12V	GP8-012D-2CPC
HL2-HP-DC24V	GP8-024D-2CPC	HL2-HP-DC48V	GP8-048D-2CPC
HL2-HP-DC110V	GP8-100/110D-2CPC	HL2-H-DC6V	GP8-006D-2CPL
HL2-H-DC12V	GP8-012D-2CPL	HL2-H-DC24V	GP8-024D-2CPL
HL2-H-DC48V	GP8-048D-2CPL	HL2-H-DC110V	GP8-100/110D-2CPL
HL2-HTM-DC6V	GP8-006D-2CTM	HL2-HTM-DC12V	GP8-012D-2CTM
HL2-HTM-DC24V	GP8-024D-2CTM	HL2-HTM-DC48V	GP8-048D-2CTM
HL2-HP-AC6V	GP8-006A-2CPC	HL2-HP-AC12V	GP8-012A-2CPC
HL2-HP-AC24V	GP8-024A-2CPC	HL2-HP-AC48V	GP8-048A-2CPC
HL2-HP-AC110/120V	GP8-110/120A-2CPC	HL2-HP-AC220/240V	GP8-220/240A-2CPC
HL2-H-AC6V	GP8-006A-2CPL	HL2-H-AC12V	GP8-012A-2CPL
HL2-H-AC24V	GP8-024A-2CPL	HL2-H-AC48V	GP8-048A-2CPL
HL2-H-AC110/120V	GP8-110/120A-2CPL	HL2-H-AC220/240V	GP8-220/240A-2CPL
HL2-HTM-AC6V	GP8-006A-2CTM	HL2-HTM-AC12V	GP8-012A-2CTM
HL2-HTM-AC24V	GP8-024A-2CTM	HL2-HTM-AC48V	GP8-048A-2CTM
HL2-HTM-AC110/120V	GP8-110/120A-2CTM	HL2-HTM-AC220/240V	GP8-220/240A-2CTM

AROMAT	GEI	AROMAT	GEI
HY	LS4	HY	LS4
HY1Z-1.5V	LS4-001.5-CS	HY1Z-3V	LS4-003-CS
HY1Z-5V	LS4-005-CS	HY1Z-6V	LS4-006-CS
HY1Z-9V	LS4-009-CS	HY1Z-12V	LS4-012-CS
HY1Z-24V	LS4-024-CS	HY1-1.5V	LS4-001.5-CHS
HY1-3V	LS4-003-CHS	HY1-5V	LS4-005-CHS
HY1-6V	LS4-006-CHS	HY1-9V	LS4-009-CHS
HY1-12V	LS4-012-CHS	HY1-24V	LS4-024-CHS

AROMAT	GEI	AROMAT	GEI
JA	CHP	JA	CHP
JA1a-TM-AC115V	CHP11-A115S		

Greenwich Electronics, Inc.

RELAY CROSS REFERENCE

AROMAT	GEI	AROMAT	GEI
JJM	AR7	JJM	AR7
JJM1a-12V	AR7-012-A6S	JJM1-12V	AR7-012-C6S
JJM1a-12V	AR7-012-AQ6S	JJM1-12V	AR7-012-CQ6S
AROMAT	GEI	AROMAT	GEI
JM	HD3	JM	HD3
JM1aN-TMP-DC12V	HD3-012-A	JM1aN-TMP-DC24V	HD3-024-A
AROMAT	GEI	AROMAT	GEI
JM	HD4	JM	HD4
JM1aN-P-DC5V	HD4-005-APC	JM1aN-P-DC12V	HD4-012-APC
JM1aN-P-DC24V	HD4-024-APC		
AROMAT	GEI	AROMAT	GEI
JQ	LD2	JQ	LD2
JQ1P-5V	LD2-005-CS	JQ1-5V	LD2-005-CS
JQ1P-6V	LD2-006-CS	JQ1-6V	LD2-006-CS
JQ1-9V	LD2-009-CS	JQ1P-9V	LD2-009-CS
JQ1-12V	LD2-012-CS	JQ1P-12V	LD2-012-CS
JQ1-18V	LD2-018-CS	JQ1P-18V	LD2-018-CS
JQ1P-24V	LD2-024-CS	JQ1-24V	LD2-024-CS
JQ1aP-5V	LD2-005-AHS	JQ1a-5V	LD2-005-AHS
JQ1aP-6V	LD2-006-AHS	JQ1a-6V	LD2-006-AHS
JQ1a-9V	LD2-009-AHS	JQ1aP-9V	LD2-009-AHS
JQ1a-12V	LD2-012-AHS	JQ1aP-12V	LD2-012-AHS
JQ1a-18V	LD2-018-AHS	JQ1aP-18V	LD2-018-AHS
JQ1a-24V	LD2-024-AHS	JQ1aP-24V	LD2-024-AHS

Greenwich Electronics, Inc.

RELAY CROSS REFERENCE

AROMAT	GEI	AROMAT	GEI
JS	GP1	JS	GP1
JS1a-5V	GP1-005-A10S	JS1a-F-5V	GP1-005-A10S
JS1a-F-6V	GP1-006-A10S	JS1a-6V	GP1-006-A10S
JS1a-9V	GP1-009-A10S	JS1a-F-9V	GP1-009-A10S
JS1a-F-12V	GP1-012-A10S	JS1a-12V	GP1-012-A10S
JS1a-24V	GP1-024-A10S	JS1a-F-24V	GP1-024-A10S
JS1a-F-48V	GP1-048-A10S	JS1a-48V	GP1-048-A10S
JS1-5V	GP1-005-C10S	JS1-F-5V	GP1-005-C10S
JS1-F-6V	GP1-006-C10S	JS1-6V	GP1-006-C10S
JS1-F-9V	GP1-009-C10S	JS1-F-12V	GP1-012-C10S
JS1-F-24V	GP1-024-C10S	JS1-F-48V	GP1-048-C10S
JSM	AR7	JSM	AR7
JSM1aF-9V-4	AR7-009-AQ6	JSM1aF-9V-5	AR7-009-AQ6
JSM1aF-12V-4	AR7-006-BQ6S	JSM1aF-12V-5	AR7-012-AQ6
JSM1F-9V-5	AR7-009-CQ6	JSM1F-9V-4	AR7-009-CQ6
JSM1F-12V-5	AR7-012-CQ6	JSM1F-12V-4	AR7-012-CQ6
JSM1a-9V-5	AR7-009-AQ6S	JSM1a-9V-4	AR7-009-AQ6S
JSM1a-12V-5	AR7-012-AQ6S	JSM1a-12V-4	AR7-012-AQ6S
JSM1-9V-5	AR7-009-CQ6S	JSM1-9V-4	AR7-009-CQ6S
JSM1-12V-4	AR7-012-CQ6S	JSM1-12V-5	AR7-012-CQ6S
JT	HD1	JT	HD1
JT1a-DC5V	HD1-005D-A30PC0	JT1a-DC6V	HD1-006D-A30PC0
JT1a-DC9V	HD1-009D-A30PC0	JT1a-DC12V	HD1-012D-A30PC0
JT1a-DC18V	HD1-018D-A30PC0	JT1a-DC24V	HD1-024D-A30PC0

Greenwich Electronics, Inc.

RELAY CROSS REFERENCE

AROMAT	GEI	AROMAT	GEI
JTN	HD1	JTN	HD1
JTN1a-S-PA-F-DC5V	HD1-005D-A30PCSNF	JTN1a-S-PA-F-DC6V	HD1-006D-A30PCSNF
JTN1a-S-PA-F-DC9V	HD1-009D-A30PCSNF	JTN1a-S-PA-F-DC12V	HD1-012D-A30PCSNF
JTN1a-S-PA-F-DC18V	HD1-018D-A30PCSNF	JTN1a-S-PA-F-DC24V	HD1-024D-A30PCSNF
JTN1c-S-PA-F-DC5V	HD1-005D-C30PCSNF	JTN1c-S-PA-F-DC6V	HD1-006D-C30PCSNF
JTN1c-S-PA-F-DC9V	HD1-009D-C30PCSNF	JTN1c-S-PA-F-DC12V	HD1-012D-C30PCSNF
JTN1c-S-PA-F-DC24V	HD1-018D-C30PCSNF	JTN1a-S-TMP-F-DC5V	HD1-005D-A30PQSNF
JTN1a-S-TMP-F-DC6V	HD1-006D-A30PQSNF	JTN1a-S-TMP-F-DC9V	HD1-009D-A30PQSNF
JTN1a-S-TMP-F-DC12V	HD1-012D-A30PQSNF	JTN1a-S-TMP-F-DC18V	HD1-018D-A30PQSNF
JTN1a-S-TMP-F-DC24V	HD1-024D-A30PQSNF	JTN1c-S-TMP-F-D5V	HD1-005D-C30PQSNF
JTN1c-S-TMP-F-D6V	HD1-006D-C30PQSNF	JTN1c-S-TMP-F-D9V	HD1-009D-C30PQSNF
JTN1c-S-TMP-F-D12V	HD1-012D-C30PQSNF	JTN1c-S-TMP-F-D18V	HD1-018D-C30PQSNF
JTN1c-S-TMP-F-D24V	HD1-024D-C30PQSNF		

AROMAT	GEI	AROMAT	GEI
JV	CQ	JV	CQ
JV1-5V	CQ1-HD5S	JV1F-5V	CQ1-HD5S
JV1-6V	CQ1-HD6S	JV1F-6V	CQ1-HD6S
JV1-9V	CQ1-HD9S	JV1F-9V	CQ1-HD9S
JV1-12V	CQ1-HD12S	JV1F-12V	CQ1-HD12S
JV1-18V	CQ1-HD18S	JV1F-18V	CQ1-HD18S
JV1-24V	CQ1-HD24S	JV1F-24V	CQ1-HD24S
JV1F-48V	CQ1-HD24S	JV1-48V	CQ1-HD48S
JV1F-100V	CQ1-HD100S	JV1-100V	CQ1-HD100S
JV1aP-5V	CQ11-ED5S	JV1aPF-5V	CQ11-ED5S
JV1aP-6V	CQ11-ED6S	JV1aPF-6V	CQ11-ED6S
JV1aP-9V	CQ11-ED9S	JV1aPF-9V	CQ11-ED9S
JV1aP-12V	CQ11-ED12S	JV1aPF-12V	CQ11-ED12S
JV1aPF-18V	CQ11-ED18S	JV1aP-18V	CQ11-ED18S
JV1aP-24V	CQ11-ED24S	JV1aPF-24V	CQ11-ED24S
JV1aP-48V	CQ11-ED48S	JV1aPF-48V	CQ11-ED48S
JV1aP-100V	CQ11-ED100S	JV1aPF-100V	CQ11-ED100S
JV1aF-5V	CQ1-HD100S	JV1a-5V	CQ11-HD5S
JV1a-6V	CQ11-HD6S	JV1aF-6V	CQ1-HD100S
JV1a-9V	CQ11-HD9S	JV1aF-9V	CQ1-HD100S
JV1a-12V	CQ11-HD12S	JV1aF-12V	CQ11-HD12S
JV1aF-18V	CQ1-HD100S	JV1a-18V	CQ11-HD18S
JV1a-24V	CQ11-HD24S	JV1aF-24V	CQ1-HD100S
JV1a-48V	CQ11-HD48S	JV1aF-48V	CQ11-HD48S
JV1a-100V	CQ11-HD100S	JV1aF-100V	CQ11-HD100S

Greenwich Electronics, Inc.

RELAY CROSS REFERENCE

AROMAT	GEI	AROMAT	GEI
JW	CH	JW	CH
JW1SN-DC3V	CH1-HD3S	JW1FSN-DC3V	CH1-HD3S
JW1FSN-DC5V	CH1-HD5S	JW1SN-DC5V	CH1-HD5S
JW1FSN-DC6V	CH1-HD6S	JW1SN-DC6V	CH1-HD6S
JW1FSN-DC12V	CH1-HD12S	JW1SN-DC12V	CH1-HD12S
JW1SN-DC24V	CH1-HD24S	JW1FSN-DC24V	CH1-HD24S
JW1SN-DC48V	CH1-HD48S	JW1FSN-DC48V	CH1-HD48S
JW1aFSN-DC3V	CH11-HD3S	JW1aSN-DC3V	CH11-HD3S
JW1aSN-DC5V	CH11-HD5S	JW1aFSN-DC5V	CH11-HD5S
JW1aSN-DC6V	CH11-HD6S	JW1aFSN-DC6V	CH11-HD6S
JW1aSN-DC12V	CH11-HD12S	JW1aFSN-DC12V	CH11-HD12S
JW1aFSN-DC24V	CH11-HD24S	JW1aSN-DC24V	CH11-HD24S
JW1aFSN-DC48V	CH11-HD48S	JW1aSN-DC48V	CH11-HD48S
JW2SN-DC3V	CH2-MD3S	JW2SN-DC5V	CH2-MD5S
JW2SN-DC6V	CH2-MD6S	JW2SN-DC12V	CH2-MD12S
JW2SN-DC24V	CH2-MD24S	JW2SN-DC48V	CH2-MD48S
JW2aSN-DC3V	CH22-MD3S	JW2aSN-DC5V	CH22-MD5S
JW2aSN-DC6V	CH22-MD6S	JW2aSN-DC12V	CH22-MD12S
JW2aSN-DC24V	CH22-MD24S	JW2aSN-DC48V	CH22-MD48S

AROMAT	GEI	AROMAT	GEI
JW	KH	JW	KH
JW1FSN-DC3V	KH1-H3SH	JW1SN-DC3V	KH1-H3SH
JW1FSN-DC5V	KH1-H5SH	JW1SN-DC5V	KH1-H5SH
JW1SN-DC6V	KH1-H6SH	JW1FSN-DC6V	KH1-H6SH
JW1SN-DC9V	KH1-H9SH	JW1FSN-DC9V	KH1-H9SH
JW1SN-DC12V	KH1-H12SH	JW1FSN-DC12V	KH1-H12SH
JW1SN-DC24V	KH1-H24SH	JW1FSN-DC48V	KH1-H48SH
JW1SN-DC48V	KH1-H48SH	JW1aSN-DC3V	KH11-H3SH
JW1aFSN-DC3V	KH11-H3SH	JW1aFSN-DC5V	KH11-H5SH
JW1aSN-DC5V	KH11-H5SH	JW1aSN-DC6V	KH11-H6SH
JW1aFSN-DC6V	KH11-H6SH	JW1aFSN-DC9V	KH11-H9SH
JW1aSN-DC9V	KH11-H9SH	JW1aSN-DC12V	KH11-H12SH
JW1aFSN-DC12V	KH11-H12SH	JW1aSN-DC24V	KH11-H24SH
JW1aFSN-DC24V	KH11-H24SH	JW1aSN-DC48V	KH11-H48SH
JW1aFSN-DC48V	KH11-H48SH	JW1FSN-DC24V	KH1-H24SH

Greenwich Electronics, Inc.

RELAY CROSS REFERENCE

FUJITSU	GEI	FUJITSU	GEI
FBR161	GP1	FBR161	GP1
FBR161NED005UH	GP1-005-C5S	FBR161SED005UH	GP1-005-C5S
FBR161NED006UH	GP1-006-C5S	FBR161SED006UH	GP1-006-C5S
FBR161SED009UH	GP1-009-C5S	FBR161NED009UH	GP1-009-C5S
FBR161SED012UH	GP1-012-C5S	FBR161NED012UH	GP1-012-C5S
FBR161NED024UH	GP1-024-C5S	FBR161SED024UH	GP1-024-C5S
FBR161SED005UHB	GP1-005-C10S	FBR161NED005UHB	GP1-005-C10S
FBR161NED006UHB	GP1-006-C10S	FBR161SED006UHB	GP1-006-C10S
FBR161SED009UHB	GP1-009-C10S	FBR161NED009UHB	GP1-009-C10S
FBR161SED012UHB	GP1-012-C10S	FBR161NED012UHB	GP1-012-C10S
FBR161SED024UHB	GP1-024-C10S	FBR161NED024UHB	GP1-024-C10S

FUJITSU	GEI	FUJITSU	GEI
FBR163	GP1	FBR163	GP1
FBR163SED005UH	GP1-005-A5S	FBR163NED005UH	GP1-005-A5S
FBR163SED006UH	GP1-006-A5S	FBR163NED006UH	GP1-006-A5S
FBR163NED009UH	GP1-009-A5S	FBR163SED009UH	GP1-009-A5S
FBR163SED012UH	GP1-012-A5S	FBR163NED012UH	GP1-012-A5S
FBR163SED024UH	GP1-024-A5S	FBR163NED024UH	GP1-024-A5S
FBR163NED005UHB	GP1-005-A10S	FBR163SEDO05UHB	GP1-005-A10S
FBR163NED006UHB	GP1-006-A10S	FBR163SEDO06UHB	GP1-006-A10S
FBR163NED009UHB	GP1-009-A10S	FBR163SEDO09UHB	GP1-009-A10S
FBR163SEDO12UHB	GP1-012-A10S	FBR163NED012UHB	GP1-012-A10S
FBR163SEDO24UHB	GP1-024-A10S	FBR163NED024UHB	GP1-024-A10S

FUJITSU	GEI	FUJITSU	GEI
FBR211	LS1	FBR211	LS1
FBR211SCDO03	LS1-003-6H1D	FBR211SCDO05	LS1-005-6H1D
FBR211SCDO06	LS1-006-6H1D	FBR211SCDO09	LS1-009-6H1D
FBR211SCDO12	LS1-012-6H1D	FBR211SCDO24	LS1-024-6H1D
FBR211NCDO03	LS1-003-6H1S	FBR211NCDO05	LS1-005-6H1S
FBR211NCDO06	LS1-006-6H1S	FBR211NCDO09	LS1-009-6H1S
FBR211NCDO12	LS1-012-6H1S	FBR211NCDO24	LS1-024-6H1S
FBR211SEDO03	LS1-003-5H1D	FBR211SEDO05	LS1-005-5H1D
FBR211SEDO06	LS1-006-5H1D	FBR211SEDO09	LS1-009-5H1D
FBR211SEDO12	LS1-012-5H1D	FBR211SEDO24	LS1-024-5H1D
FBR211NEDO03	LS1-003-5H1S	FBR211NEDO05	LS1-005-5H1S

Greenwich Electronics, Inc.

RELAY CROSS REFERENCE

FBR211NEDO06	LS1-006-5H1S	FBR211NEDO09	LS1-009-5H1S
FBR211NEDO12	LS1-012-5H1S	FBR211NEDO24	LS1-024-5H1S
FBR211SADOO3	LS1-003-6L1D	FBR211SADOO5	LS1-005-6L1D
FBR211SADOO6	LS1-006-6L1D	FBR211SADOO9	LS1-009-6L1D
FBR211SADO12	LS1-012-6L1D	FBR211SADO24	LS1-024-6L1D
FBR211NADO03	LS1-003-6L1S	FBR211NADO05	LS1-005-6L1S
FBR211NADO06	LS1-006-6L1S	FBR211NADO09	LS1-009-6L1S
FBR211NADO12	LS1-012-6L1S	FBR211NADO24	LS1-024-6L1S
FBR211SBDO03	LS1-003-5L1D	FBR211SBDO05	LS1-005-5L1D
FBR211SBDO06	LS1-006-5L1D	FBR211SBDO09	LS1-009-5L1D
FBR211SBDO12	LS1-012-5L1D	FBR211SBDO24	LS1-024-5L1D
FBR211NBDO03	LS1-003-5L1S	FBR211NBDO05	LS1-005-5L1S
FBR211NBDO06	LS1-006-5L1S	FBR211NBDO09	LS1-009-5L1S
FBR211NBDO12	LS1-012-5L1S	FBR211NBDO24	LS1-024-5L1S

FUJITSU	GEI	FUJITSU	GEI
FBR244	CY	FBR244	CY
FBR244D005/02CP	CY-5V	FBR244ND005/02CP	CY-5V
FBR244NG005/02CP	CY-5V	FBR244ND006/02CP	CY-6V
FBR244D006/02CP	CY-6V	FBR244ND009/02CP	CY-9V
FBR244G009/02CP	CY-9V	FBR244D009/02CP	CY-9V
FBR244ND012/02CP	CY-12V	FBR244D012/02CP	CY-12V
FBR244NG012/02CP	CY-12V	FBR244G012/02CP	CY-12V
FBR244ND024/02CP	CY-24V	FBR244D024/02CP	CY-24V
FBR244G024/02CP	CY-24V	FBR244NG024/02CP	CY-24V
FBR244G048/02CP	CY-48V	FBR244D048/02CP	CY-48V
FBR244ND048/02CP	CY-48V	FBR244NG048/02CP	CY-48V

FUJITSU	GEI	FUJITSU	GEI
FBR51	AR7	FBR51	AR7
FBR51ND06-W1	AR7-006-C6S	FBR51ND06-N	AR7-006-C6S
FBR51ND06-W	AR7-006-C6S	FBR51ND09-N	AR7-009-C6S
FBR51ND09-W1	AR7-009-C6S	FBR51ND09-W	AR7-009-C6S
FBR51ND12-N	AR7-012-C6S	FBR51ND12-W1	AR7-012-C6S
FBR51ND12-W	AR7-012-C6S		

Greenwich Electronics, Inc.

RELAY CROSS REFERENCE

FUJITSU	GEI	FUJITSU	GEI
FBR52	AR7	FBR52	AR7
FBR52ND06-W	AR7-006-C8S	FBR52ND06-W1	AR7-006-C8S
FBR52ND06-N	AR7-006-C8S	FBR52ND09-W	AR7-009-C8S
FBR52ND09-W1	AR7-009-C8S	FBR52ND09-N	AR7-009-C8S
FBR52ND12-W	AR7-012-C8S	FBR52ND12-W1	AR7-012-C8S
FBR52ND12-N	AR7-012-C8S		

FUJITSU	GEI	FUJITSU	GEI
FBR611	CH	FBR611	CH
FBR611D005-K	CH1-ED5F	FBR611D006-K	CH1-ED6F
FBR611D012-K	CH1-ED12F	FBR611D024-K	CH1-ED24F
FBR611D048-K	CH1-ED48F	FBR611D005	CH1-HD5F
FBR611ND005-K	CH1-ED5S	FBR611ND006-K	CH1-ED6S
FBR611ND012-K	CH1-ED12S	FBR611ND024-K	CH1-ED24S
FBR611ND048-K	CH1-ED48S	FBR611ND005	CH1-HD5S
FBR611ND006	CH1-HD6S	FBR611ND012	CH1-HD12S
FBR611ND024	CH1-HD24S	FBR611ND048	CH1-HD48S

FUJITSU	GEI	FUJITSU	GEI
FBR611	KH	FBR611	KH
FBR611ND005	KH1-H5SH	FBR611ND006	KH1-H6SH
FBR611ND012	KH1-H12SH	FBR611ND024	KH1-H24SH
FBR611ND048	KH1-H48SH		

FUJITSU	GEI	FUJITSU	GEI
FBR613	CH	FBR613	CH
FBR613D005-K	CH11-ED5F	FBR613D006-K	CH11-ED6F
FBR613D012-K	CH11-ED12F	FBR613D024-K	CH11-ED24F
FBR613D048-K	CH11-ED48F	FBR613D005	CH11-HD5F
FBR613D006	CH11-HD6F	FBR613D012	CH11-HD12F
FBR613D024	CH11-HD24F	FBR613D048	CH11-HD48F
FBR613ND005-K	CH11-ED5S	FBR613ND006-K	CH11-ED6S
FBR613ND012-K	CH11-ED12S	FBR613ND024-K	CH11-ED24S

Greenwich Electronics, Inc.

RELAY CROSS REFERENCE

FBR613ND048-K
FBR613ND006
FBR613ND024

CH11-ED48S
CH11-HD6S
CH11-HD24S

FBR613ND005
FBR613ND012
FBR613ND048

CH11-HD5S
CH11-HD12S
CH11-HD48S

FUJITSU

GEI

FUJITSU

GEI

FBR613

KH

FBR613

KH

FBR613ND005
FBR613ND012
FBR613ND048

KH11-H5SH
KH11-H12SH
KH11-H48SH

FBR613ND006
FBR613ND024

KH11-H6SH
KH11-H24SH

FUJITSU

GEI

FUJITSU

GEI

FBR621

CH

FBR621

CH

FBR621D005
FBR621D012
FBR621D048
FBR621ND006
FBR621ND024

CH2-MD5F
CH2-MD12F
CH2-MD48F
CH2-MD6S
CH2-MD24S

FBR621D006
FBR621D024
FBR621ND005
FBR621ND012
FBR621ND048

CH2-MD6F
CH2-MD24F
CH2-MD5S
CH2-MD12S
CH2-MD48S

FUJITSU

GEI

FUJITSU

GEI

FBR623

CH

FBR623

CH

FBR623D005
FBR623D012
FBR623D048
FBR623ND006
FBR623ND024

CH22-MD5F
CH22-MD12F
CH22-MD48F
CH22-MD6S
CH22-MD24S

FBR623D006
FBR623D024
FBR623ND005
FBR623ND012
FBR623ND048

CH22-MD6F
CH22-MD24F
CH22-MD5S
CH22-MD12S
CH22-MD48S

FUJITSU

GEI

FUJITSU

GEI

FRL-274

AR5

FRL-274

AR5

FRL-274ND012/61AD-A AR5-012-AUS
FRL-274ND012/01AD-A AR5-012-AUS
FRL-274ND024/51AD-A AR5-024-AUS
FRL-274ND012/61CD-A AR5-012-CUS

FRL-274ND012/51AD-A AR5-012-AUS
FRL-274ND024/01AD-A AR5-024-AUS
FRL-274ND024/61AD-A AR5-024-AUS
FRL-274ND012/51CD-A AR5-012-CUS

Greenwich Electronics, Inc.

RELAY CROSS REFERENCE

FRL-274ND012/01CD-A AR5-012-CUS
FRL-274ND024/01CD-A AR5-024-CUS
FRL-274ND012/01AD-A AR5-012-AUHS
FRL-274ND012/61AD-A AR5-012-AUHS
FRL-274ND024/51AD-A AR5-024-AUHS
FRL-274ND012/61CD-A AR5-012-CUHS
FRL-274ND012/01CD-A AR5-012-CUHS
FRL-274ND024/01CD-A AR5-024-CUHS

FRL-274ND024/51CD-A AR5-024-CUS
FRL-274ND024/61CD-A AR5-024-CUS
FRL-274ND012/51AD-A AR5-012-AUHS
FRL-274ND024/01AD-A AR5-024-AUHS
FRL-274ND024/61AD-A AR5-024-AUHS
FRL-274ND012/51CD-A AR5-012-CUHS
FRL-274ND024/51CD-A AR5-024-CUHS
FRL-274ND024/61CD-A AR5-024-CUHS

FUJITSU

GEI

FTR

AR7

FTR-P1-CN009W
FTR-P1-CN009N
FTR-P1-CP012N
FTR-P1-CN012W

AR7-012-C8S
AR7-009-CQ6S
AR7-012-CQ6S
AR7-012-CQ6S

FUJITSU

GEI

FTR

AR7

FTR-P1-CP009N
FTR-P1-CP009W
FTR-P1-CN012N
FTR-P1-CP012W

AR7-012-C8S
AR7-012-C8S
AR7-012-CQ6S
AR7-012-CQ6S

FUJITSU

GEI

JS

GP3

JS-5M-K
JS-9M-K
JS-24M-K
JS-60M-K
JS-6-K
JS-12-K
JS-48-K
JS-5ME-K
JS-9ME-K
JS-24ME-K
JS-60ME-K
JS-6E-K
JS-12E-K
JS-48E-K

GP3-005-ASG
GP3-009-ASG
GP3-024-ASG
GP3-060-ASG
GP3-006-CSG
GP3-012-CSG
GP3-048-CSG
GP3-005-AS
GP3-009-AS
GP3-024-AS
GP3-060-AS
GP3-006-CS
GP3-012-CS
GP3-048-CS

FUJITSU

GEI

JS

GP3

JS-6M-K
JS-12M-K
JS-48M-K
JS-5-K
JS-9-K
JS-24-K
JS-60-K
JS-6ME-K
JS-12ME-K
JS-48ME-K
JS-5E-K
JS-9E-K
JS-24E-K
JS-60E-K

GP3-006-ASG
GP3-012-ASG
GP3-048-ASG
GP3-005-CSG
GP3-009-CSG
GP3-024-CSG
GP3-060-CSG
GP3-006-AS
GP3-012-AS
GP3-048-AS
GP3-005-CS
GP3-009-CS
GP3-024-CS
GP3-060-CS

Greenwich Electronics, Inc.

RELAY CROSS REFERENCE

FUJITSU	GEI	FUJITSU	GEI
JY	LD2	JY	LD2
JY-5H-K	LD2-005-AHS	JY-5-K	LD2-005-AHS
JY-5HE-K	LD2-005-AHS	JY-5E-K	LD2-005-AHS
JY-6E-K	LD2-006-AHS	JY-6HE-K	LD2-006-AHS
JY-6-K	LD2-006-AHS	JY-6H-K	LD2-006-AHS
JY-9-K	LD2-009-AHS	JY-9H-K	LD2-009-AHS
JY-9E-K	LD2-009-AHS	JY-9HE-K	LD2-009-AHS
JY-12H-K	LD2-012-AHS	JY-12HE-K	LD2-012-AHS
JY-12E-K	LD2-012-AHS	JY-12-K	LD2-012-AHS
JY-18HE-K	LD2-018-AHS	JY-18E-K	LD2-018-AHS
JY-18H-K	LD2-018-AHS	JY-18-K	LD2-018-AHS
JY-24E-K	LD2-024-AHS	JY-24H-K	LD2-024-AHS
JY-24HE-K	LD2-024-AHS	JY-24-K	LD2-024-AHS
LZ	GP2	LZ	GP2
LZ-3HM	GP2-003-AH5D	LZ-6HM	GP2-006-AH5D
LZ-9HM	GP2-009-AH5D	LZ-12HM	GP2-012-AH5D
LZ-24HM	GP2-024-AH5D	LZ-48HM	GP2-048-AH5D
LZ-3H	GP2-003-CH5D	LZ-6H	GP2-006-CH5D
LZ-9H	GP2-009-CH5D	LZ-12H	GP2-012-CH5D
LZ-24H	GP2-024-CH5D	LZ-48H	GP2-048-CH5D
LZ-3VM	GP2-003-AH10D	LZ-6VM	GP2-006-AH10D
LZ-9VM	GP2-009-AH10D	LZ-12VM	GP2-012-AH10D
LZ-24VM	GP2-024-AH10D	LZ-48VM	GP2-048-AH10D
LZ-3V	GP2-003-CH10D	LZ-6V	GP2-006-CH10D
LZ-9V	GP2-009-CH10D	LZ-12V	GP2-012-CH10D
LZ-24V	GP2-024-CH10D	LZ-48V	GP2-048-CH10D
LZ-3HM-K	GP2-003-AH5S	LZ-6HM-K	GP2-003-AH56
LZ-9HM-K	GP2-009-AH5S	LZ-12HM-K	GP2-012-AH5S
LZ-24HM-K	GP2-024-AH5S	LZ-48HM-K	GP2-048-AH5S
LZ-3H-K	GP2-003-CH5S	LZ-6H-K	GP2-006-CH5S
LZ-9H-K	GP2-009-CH5S	LZ-12H-K	GP2-012-CH5S
LZ-24H-K	GP2-024-CH5S	LZ-48H-K	GP2-048-CH5S
LZ-3VM-K	GP2-003-AH10S	LZ-6VM-K	GP2-006-AH10S
LZ-9VM-K	GP2-009-AH10S	LZ-12VM-K	GP2-012-AH10S
LZ-24VM-K	GP2-024-AH10S	LZ-48VM-K	GP2-048-AH10S
LZ-3V-K	GP2-003-CH10S	LZ-6V-K	GP2-006-CH10S
LZ-9V-K	GP2-009-CH10S	LZ-12V-K	GP2-012-CH10S
LZ-24V-K	GP2-003-CH124	LZ-48V-K	GP2-048-CH10S

Greenwich Electronics, Inc.

RELAY CROSS REFERENCE

FUJITSU	GEI	FUJITSU	GEI
RA	LS3	RA	LS3
RA-24W-K	LS3-024-S	RA-48W-K	LS3-048-S
RA-5W-K	LS3-005-HS	RA-6W-K	LS3-006-HS
RA-9W-K	LS3-009-HS	RA-12W-K	LS3-012-HS
RAL-5W-K	LS3-005-H1LS	RAL-6W-K	LS3-006-H1LS
RAL-9W-K	LS3-009-H1LS	RAL-12W-K	LS3-012-H1LS
RAL-24W-K	LS3-024-H1LS	RAL-D5W-K	LS3-005-H2LS
RAL-D6W-K	LS3-006-H2LS	RAL-D9W-K	LS3-009-H2LS
RAL-D12W-K	LS3-012-H2LS	RAL-D24W-K	LS3-024-H2LS

FUJITSU	GEI	FUJITSU	GEI
SY	LS4	SY	LS4
SY-1.5-K	LS4-001.5-CHS	SY-3-K	LS4-003-CHS
SY-5-K	LS4-005-CHS	SY-6-K	LS4-006-CHS
SY-9-K	LS4-009-CHS	SY-12-K	LS4-012-CHS
SY-24-K	LS4-024-CHS		

FUJITSU	GEI	FUJITSU	GEI
VE	CW	VE	CW
VE-5H5-K	CW1-M5S	VE-9H5-K	CW1-M9S
VE-12H5-K	CW1-M12S	VE-14H5-K	CW1-M14S
VE-18H5-K	CW1-M18S	VE-24H5-K	CW1-M24S
VE-48H5-K	CW1-M48S	VE-5HM5-K	CW11-M5S
VE-6HM5-K	CW11-M6S	VE-9HM5-K	CW11-M9S
VE-12HM5-K	CW11-M12S	VE-14HM5-K	CW11-M14S
VE-18HM5-K	CW11-M18S	VE-24HM5-K	CW11-M24S
VE-48HM5-K	CW11-M48S	VE-5HS5-K	CW1-M5SH
VE-6HS5-K	CW1-M6SH	VE-9HS5-K	CW1-M9SH
VE-12HS5-K	CW1-M12SH	VE-14HS5-K	CW1-M24SH
VE-18HS5-K	CW1-M18SH	VE-24HS5-K	CW1-M24SH
VE-48HS5-K	CW1-M48SH	VE-5HMS5-K	CW11-M5SH
VE-6HMS5-K	CW11-M6SH	VE-9HMS5-K	CW11-M9SH
VE-12HMS5-K	CW11-M12SH	VE-14HMS5-K	CW11-M14SH
VE-18HMS5-K	CW11-M18SH	VE-24HMS5-K	CW11-M24SH
VE-48HMS5-K	CW11-M48SH		

Greenwich Electronics, Inc.

RELAY CROSS REFERENCE

FUJITSU	GEI	FUJITSU	GEI
VH	HD3	VH	HD3
VH-12	HD3-012-A	VH-24	HD3-012-A
HASCO	GEI	HASCO	GEI
BAS-111	LS1	BAS-111	LS1
BAS-111-3	LS1-003-6L3S	BAS-111-5	LS1-005-6L3S
BAS-111-6	LS1-006-6L3S	BAS-111-9	LS1-009-6L3S
BAS-111-12	LS1-012-6L3S	BAS-111-24	LS1-024-6L3S
HASCO	GEI	HASCO	GEI
BAS-511	LS1	BAS-511	LS1
BAS-511-3	LS1-003-6L5S	BAS-511-5	LS1-005-6L5S
BAS-511-6	LS1-006-6L5S	BAS-511-9	LS1-009-6L5S
BAS-511-12	LS1-012-6L5S	BAS-511-24	LS1-024-6L5S
HASCO	GEI	HASCO	GEI
BS-211	LS1	BS-211	LS1
BS-211-3	LS1-003-6H3S	BS-211-5	LS1-005-631S
BS-211-6	LS1-006-631S	BS-211-9	LS1-009-631S
BS-211-12	LS1-012-631S	BS-211-24	LS1-024-631S
HASCO	GEI	HASCO	GEI
CAR	AR1	CAR	AR1
CAR1A40DC6	AR1-006-A01N	CAR1A40DC12	AR1-012-A01N
CAR1A40DC24	AR1-024-A01N	CAR1C40DC6	AR1-006-C01N
CAR1C40DC12	AR1-012-C01N	CAR1C40DC24	AR1-024-C01N
CART1A40DC6	AR1-006-A01M	CART1A40DC12	AR1-012-A01M
CART1A40DC24	AR1-024-A01M	CART1C40DC6	AR1-006-C01M

Greenwich Electronics, Inc.

RELAY CROSS REFERENCE

CART1C40DC12	AR1-012-C01M	CART1C40DC24	AR1-024-C01M
CAR1AP40DC6	AR1-006-A02N	CAR1AP40DC12	AR1-012-A02N
CAR1AP40DC24	AR1-024-A02N	CAR1A40DC6-S	AR1-006-A01NS
CAR1A40DC12-S	AR1-012-A01NS	CAR1A40DC24-S	AR1-024-A01NS
CAR1C40DC6-S	AR1-006-C01NS	CAR1C40DC12-S	AR1-012-C01NS
CAR1C40DC24-S	AR1-024-C01NS	CART1A40DC6-S	AR1-006-A01MS
CART1A40DC12-S	AR1-012-A01MS	CART1A40DC24-S	AR1-024-A01MS
CART1C40DC6-S	AR1-006-C01MS	CART1C40DC12-S	AR1-012-C01MS
CART1C40DC24-S	AR1-024-C01MS	CAR1AP40DC6-S	AR1-006-A02NS
CAR1AP40DC12-S	AR1-012-A02NS	CAR1AP40DC24-S	AR1-024-A02NS

HASCO	GEI	HASCO	GEI
CARB	AR5	CARB	AR5
CARB-1A-12-1	AR5-012-AUHO	CARB-1A-24-1	AR5-024-AUHO
CARB-1B-12-1	AR5-012-BUHO	CARB-1B-24-1	AR5-024-BUHO
CARB-1C-12-1	AR5-012-CUHO	CARB-1C-24-1	AR5-024-CUHO
CARB-1A-12-2	AR5-012-AUHS	CARB-1A-12-2S	AR5-012-AUHS
CARB-1A-24-2	AR5-024-AUHS	CARB-1A-24-2S	AR5-012-AUHS
CARB-1B-12-2	AR5-012-BUHS	CARB-1B-12-2S	AR5-012-AUHS
CARB-1B-24-2S	AR5-024-BUHS	CARB-1B-24-2	AR5-024-BUHS
CARB-1C-12-2	AR5-006-CUHS	CARB-1C-12-2S	AR5-006-CUHS
CARB-1C-24-2S	AR5-006-CUHS	CARB-1C-24-2	AR5-012-CUHS

HASCO	GEI	HASCO	GEI
CAS-112	CY	CAS-112	CY
CAS-112-5	CY-5V	CAS-112-6	CY-6V
CAS-112-9	CY-9V	CAS-112-12	CY-12V
CAS-112-24	CY-24V	CAS-112-48	CY-48V

HASCO	GEI	HASCO	GEI
CAS-212	CY	CAS-212	CY
CAS-212-5	CY-5VH	CAS-212-6	CY-6VH
CAS-212-9	CY-9VH	CAS-212-12	CY-12VH
CAS-212-24	CY-24VH	CAS-212B-48	CY-48VH

Greenwich Electronics, Inc.

RELAY CROSS REFERENCE

HASCO	GEI	HASCO	GEI
HAS-112	LS3	HAS-112	LS3
HAS-112-5	LS3-005-S	HAS-112-6	LS3-006-S
HAS-112-9	LS3-009-S	HAS-112-12	LS3-012-S
HAS-112-24	LS3-024-S	HAS-112-48	LS3-048-S

HASCO	GEI	HASCO	GEI
HAS-212	LS3	HAS-212	LS3
HAS-212-5	LS3-005-HS	HAS-212-6	LS3-006-HS
HAS-212-9	LS3-009-HS	HAS-212-9	LS3-009-HS
HAS-212-12	LS3-012-HS	HAS-212-24	LS3-024-HS
HAS-212B-48	LS3-048-HS		

HASCO	GEI	HASCO	GEI
HAT901	HD1	HAT901	HD1
HAT901ADC5	HD1-005D-A30PC0	HAT901ADC6	HD1-006D-A30PC0
HAT901ADC9	HD1-009D-A30PC0	HAT901ADC12	HD1-012D-A30PC0
HAT901ADC18	HD1-018D-A30PC0	HAT901ADC24	HD1-024D-A30PC0
HAT901ADC48	HD1-048D-A30PC0	HAT901ADC110	HD1-110D-A30PC0
HAT901BDC5	HD1-005D-B30PC0	HAT901BDC6	HD1-006D-B30PC0
HAT901BDC9	HD1-009D-B30PC0	HAT901BDC12	HD1-012D-B30PC0
HAT901BDC18	HD1-018D-B30PC0	HAT901BDC24	HD1-024D-B30PC0
HAT901BDC48	HD1-048D-B30PC0	HAT901BDC110	HD1-110D-B30PC0
HAT901CDC5	HD1-005D-C30PC0	HAT901CDC6	HD1-006D-C30PC0
HAT901CDC9	HD1-009D-C30PC0	HAT901CDC12	HD1-012D-C30PC0
HAT901CDC18	HD1-018D-C30PC0	HAT901CDC24	HD1-024D-C30PC0
HAT901CDC48	HD1-048D-C30PC0	HAT901CDC110	HD1-110D-C30PC0
HAT901ACDC5	HD1-005D-A30PCD	HAT901ACDC6	HD1-006D-A30PCD
HAT901ACDC9	HD1-009D-A30PCD	HAT901ACDC12	HD1-012D-A30PCD
HAT901ACDC18	HD1-018D-A30PCD	HAT901ACDC24	HD1-024D-A30PCD
HAT901ACDC48	HD1-048D-A30PCD	HAT901ACDC110	HD1-110D-A30PCD
HAT901BCDC5	HD1-005D-B30PCD	HAT901BCDC6	HD1-006D-B30PCD
HAT901BCDC9	HD1-009D-B30PCD	HAT901BCDC12	HD1-012D-B30PCD
HAT901BCDC18	HD1-018D-B30PCD	HAT901BCDC24	HD1-024D-B30PCD
HAT901BCDC48	HD1-048D-B30PCD	HAT901BCDC110	HD1-110D-B30PCD
HAT901CCDC5	HD1-005D-C30PCD	HAT901CCDC6	HD1-006D-C30PCD
HAT901CCDC9	HD1-009D-C30PCD	HAT901CCDC12	HD1-012D-C30PCD
HAT901CCDC18	HD1-018D-C30PCD	HAT901CCDC24	HD1-024D-C30PCD

Greenwich Electronics, Inc.

RELAY CROSS REFERENCE

HAT901CCDC48	HD1-048D-C30PCD	HAT901CCDC110	HD1-110D-C30PCD
HAT901ASDC5	HD1-005D-A30PCS	HAT901ASDC6	HD1-006D-A30PCS
HAT901ASDC9	HD1-009D-A30PCS	HAT901ASDC12	HD1-012D-A30PCS
HAT901ASDC18	HD1-018D-A30PCS	HAT901ASDC24	HD1-024D-A30PCS
HAT901ASDC48	HD1-048D-A30PCS	HAT901ASDC110	HD1-110D-A30PCS
HAT901BSDC5	HD1-005D-B30PCS	HAT901BSDC6	HD1-006D-B30PCS
HAT901BSDC9	HD1-009D-B30PCS	HAT901BSDC12	HD1-012D-B30PCS
HAT901BSDC18	HD1-018D-B30PCS	HAT901BSDC24	HD1-024D-B30PCS
HAT901BSDC48	HD1-048D-B30PCS	HAT901BSDC110	HD1-110D-B30PCS
HAT901CSDC5	HD1-005D-C30PCS	HAT901CSDC6	HD1-006D-C30PCS
HAT901CSDC9	HD1-009D-C30PCS	HAT901CSDC12	HD1-012D-C30PCS
HAT901CSDC18	HD1-018D-C30PCS	HAT901CSDC24	HD1-024D-C30PCS
HAT901CSDC48	HD1-0048D-C30PCS	HAT901CSDC110	HD1-110D-C30PCS
HAT901ADC5-1	HD1-005D-A30PC0N	HAT901ADC6-1	HD1-006D-A30PC0N
HAT901ADC9-1	HD1-009D-A30PC0N	HAT901ADC12-1	HD1-012D-A30PC0N
HAT901ADC18-1	HD1-018D-A30PC0N	HAT901ADC24-1	HD1-024D-A30PC0N
HAT901ADC48-1	HD1-048D-A30PC0N	HAT901ADC110-1	HD1-110D-A30PC0N
HAT901BDC5-1	HD1-005D-B30PC0N	HAT901BDC6-1	HD1-006D-B30PC0N
HAT901BDC9-1	HD1-009D-B30PC0N	HAT901BDC12-1	HD1-012D-B30PC0N
HAT901BDC18-1	HD1-018D-B30PC0N	HAT901BDC24-1	HD1-024D-B30PC0N
HAT901BDC48-1	HD1-048D-B30PC0N	HAT901BDC110-1	HD1-110D-B30PC0N
HAT901CDC5-1	HD1-005D-C30PC0N	HAT901CDC6-1	HD1-006D-C30PC0N
HAT901CDC9-1	HD1-009D-C30PC0N	HAT901CDC12-1	HD1-012D-C30PC0N
HAT901CDC18-1	HD1-018D-C30PC0N	HAT901CDC24-1	HD1-024D-C30PC0N
HAT901CDC48-1	HD1-048D-C30PC0N	HAT901CDC110-1	HD1-110D-C30PC0N
HAT901ACDC5-1	HD1-005D-A30PCDN	HAT901ACDC6-1	HD1-006D-A30PCDN
HAT901ACDC9-1	HD1-009D-A30PCDN	HAT901ACDC12-1	HD1-012D-A30PCDN
HAT901ACDC18-1	HD1-018D-A30PCDN	HAT901ACDC24-1	HD1-024D-A30PCDN
HAT901ACDC48-1	HD1-048D-A30PCDN	HAT901ACDC110-1	HD1-110D-A30PCDN
HAT901BCDC5-1	HD1-005D-B30PCDN	HAT901BCDC6-1	HD1-006D-B30PCDN
HAT901BCDC9-1	HD1-009D-B30PCDN	HAT901BCDC12-1	HD1-012D-B30PCDN
HAT901BCDC18-1	HD1-018D-B30PCDN	HAT901BCDC24-1	HD1-024D-B30PCDN
HAT901BCDC48-1	HD1-048D-B30PCDN	HAT901BCDC110-1	HD1-110D-B30PCDN
HAT901CCDC5-1	HD1-005D-C30PCDN	HAT901CCDC6-1	HD1-006D-C30PCDN
HAT901CCDC9-1	HD1-009D-C30PCDN	HAT901CCDC12-1	HD1-012D-C30PCDN
HAT901CCDC18-1	HD1-018D-C30PCDN	HAT901CCDC24-1	HD1-024D-C30PCDN
HAT901CCDC48-1	HD1-048D-C30PCDN	HAT901CCDC110-1	HD1-110D-C30PCDN
HAT901ASDC5-1	HD1-005D-A30PCSN	HAT901ASDC6-1	HD1-006D-A30PCSN
HAT901ASDC9-1	HD1-009D-A30PCSN	HAT901ASDC12-1	HD1-012D-A30PCSN
HAT901ASDC18-1	HD1-018D-A30PCSN	HAT901ASDC24-1	HD1-024D-A30PCSN
HAT901ASDC48-1	HD1-048D-A30PCSN	HAT901ASDC110-1	HD1-110D-A30PCSN
HAT901BSDC6-1	HD1-006D-B30PCSN	HAT901BSDC9-1	HD1-009D-B30PCSN
HAT901BSDC12-1	HD1-012D-B30PCSN	HAT901BSDC18-1	HD1-018D-B30PCSN
HAT901BSDC24-1	HD1-024D-B30PCSN	HAT901BSDC48-1	HD1-048D-B30PCSN
HAT901BSDC110-1	HD1-110D-B30PCSN	HAT901CSDC5-1	HD1-005D-C30PCSN
HAT901CSDC6-1	HD1-006D-C30PCSN	HAT901CSDC9-1	HD1-009D-C30PCSN
HAT901CSDC12-1	HD1-012D-C30PCSN	HAT901CSDC18-1	HD1-018D-C30PCSN
HAT901CSDC24-1	HD1-024D-C30PCSN	HAT901CSDC48-1	HD1-048D-C30PCSN
HAT901CSDC110-1	HD1-112D-C30PCSN		

Greenwich Electronics, Inc.

RELAY CROSS REFERENCE

HASCO	GEI	HASCO	GEI
HAT902	HD1	HAT902	HD1
HAT902ASDC5	HD1-005D-A30PQS	HAT902ASDC5	HD1-005D-A30PQS
HAT902ASDC6	HD1-006D-A30PQS	HAT902ASDC6	HD1-006D-A30PQS
HAT902ASDC9	HD1-009D-A30PQS	HAT902ASDC9	HD1-009D-A30PQS
HAT902ASDC12	HD1-012D-A30PQS	HAT902ASDC12	HD1-012D-A30PQS
HAT902ASDC18	HD1-018D-A30PQS	HAT902ASDC12	HD1-012D-A30PQS
HAT902ASDC24	HD1-024D-A30PQS	HAT902ASDC24	HD1-024D-A30PQS
HAT902ASDC48	HD1-048D-A30PQS	HAT902ASDC48	HD1-048D-A30PQS
HAT902ASDC110	HD1-110D-A30PQS	HAT902ASDC110	HD1-110D-A30PQS
HAT902BSDC5	HD1-005D-B30PQS	HAT902BSDC5	HD1-005D-B30PQS
HAT902BSDC6	HD1-006D-B30PQS	HAT902BSDC6	HD1-006D-B30PQS
HAT902BSDC9	HD1-009D-B30PQS	HAT902BSDC9	HD1-009D-B30PQS
HAT902BSDC12	HD1-012D-B30PQS	HAT902BSDC12	HD1-012D-B30PQS
HAT902BSDC24	HD1-024D-B30PQS	HAT902BSDC18	HD1-018D-B30PQS
HAT902BSDC48	HD1-048D-B30PQS	HAT902BSDC24	HD1-024D-B30PQS
HAT902BSDC110	HD1-110D-B30PQS	HAT902BSDC48	HD1-048D-B30PQS
HAT902CSDC5	HD1-005D-C30PQS	HAT902BSDC110	HD1-110D-B30PQS
HAT902CSDC6	HD1-006D-C30PQS	HAT902CSDC5	HD1-005D-C30PQS
HAT902CSDC9	HD1-009D-C30PQS	HAT902CSDC6	HD1-006D-C30PQS
HAT902CSDC12	HD1-012D-C30PQS	HAT902CSDC9	HD1-009D-C30PQS
HAT902CSDC18	HD1-018D-C30PQS	HAT902CSDC12	HD1-012D-C30PQS
HAT902CSDC24	HD1-024D-C30PQS	HAT902CSDC18	HD1-018D-C30PQS
HAT902CSDC48	HD1-048D-C30PQS	HAT902CSDC24	HD1-024D-C30PQS
HAT902CSDC110	HD1-110D-C30PQS	HAT902CSDC48	HD1-048D-C30PQS
		HAT902CSDC110	HD1-110D-C30PQS

HASCO	GEI	HASCO	GEI
HAT903	HD1	HAT903	HD1
HAT903ASDC5	HD1-005D-A30PMS	HAT903ASDC12	HD1-012D-A30PMD
HAT903ASDC18	HD1-018D-A30PMD	HAT903ASDC24	HD1-024D-A30PMD
HAT903ASDC48	HD1-048D-A30PMD	HAT903ASDC110	HD1-110D-A30PMD
HAT903ASDC5	HD1-005D-A30PMS	HAT903ASDC6	HD1-006D-A30PMS
HAT903ASDC9	HD1-009D-A30PMS	HAT903ASDC12	HD1-012D-A30PMS
HAT903ASDC24	HD1-024D-A30PMS	HAT903ASDC48	HD1-048D-A30PMS
HAT903ASDC110	HD1-110D-A30PMS	HAT903BSDC5	HD1-005D-B30PMS
HAT903BSDC6	HD1-006D-B30PMS	HAT903BSDC9	HD1-009D-B30PMS
HAT903BSDC12	HD1-012D-B30PMS	HAT903BSDC24	HD1-024D-B30PMS
HAT903BSDC48	HD1-048D-B30PMS	HAT903BSDC110	HD1-110D-B30PMS
HAT903CSDC5	HD1-005D-C30PMS	HAT903CSDC6	HD1-006D-C30PMS
HAT903CSDC9	HD1-009D-C30PMS	HAT903CSDC12	HD1-012D-C30PMS
HAT903CSDC24	HD1-018D-C30PMS	HAT903CSDC48	HD1-048D-C30PMS
HAT903CSDC110	HD1-110D-C30PMS		

Greenwich Electronics, Inc.

RELAY CROSS REFERENCE

HASCO	GEI	HASCO	GEI
HAT904	HD2	HAT904	HD2
HATF904-2C-DC6-C	HD2-006D-2CPCD	HATF904-2C-DC12-C	HD2-012D-2CPCD
HATF904-2C-DC24-C	HD2-024D-2CPCD	HATF904-2C-DC48-C	HD2-048D-2CPCD
HATF904-2A-DC6-C	HD2-006-2APCD	HATF904-2A-DC12-C	HD2-012D-2APCD
HATF904-2A-DC24-C	HD2-024D-2APCD	HATF904-2A-DC48-C	HD2-048D-2APCD
HATF904-2C-DC6-QC	HD2-006D-2CPM2D	HATF904-2C-DC12-QC	HD2-012D-2CPM2D
HATF904-2C-DC24-QC	HD2-024D-2CPM2D	HATF904-2C-DC48-QC	HD2-048D-2CPM2D
HATF904-2A-DC6-QC	HD2-006D-2APM2D	HATF904-2A-DC12-QC	HD2-012D-2APM2D
HATF904-2A-DC24-QC	HD2-024D-2APM2D	HATF904-2A-DC48-QC	HD2-048D-2APM2D
HATF904-2C-DC6	HD2-006D-2CPCS	HATF904-2C-DC12	HD2-012D-2CPCS
HATF904-2C-DC24	HD2-024D-2CPCS	HATF904-2C-DC48	HD2-048D-2CPCS
HATF904-2A-DC6	HD2-006D-2APCS	HATF904-2A-DC12	HD2-012D-2APCS
HATF904-2A-DC24	HD2-024D-2APCS	HATF904-2A-DC48	HD2-024D-2APM2S
HATF904-2C-DC6-Q	HD2-006D-2CPM2S	HATF904-2C-DC12-Q	HD2-012D-2CPM2S
HATF904-2C-DC24-Q	HD2-024D-2CPM2S	HATF904-2C-DC48-Q	HD2-048D-2CPM2S
HATF904-2A-DC6-Q	HD2-006D-2APM2S	HATF904-2A-DC12-Q	HD2-012D-2APM2S
HATF904-2A-DC24-Q	HD2-024D-2APM2S	HATF904-2A-DC48-Q	HD2-048D-2APM2S
HATF904-2C-AC24-C	HD2-024A-2CPCD	HATF904-2C-AC120-C	HD2-120A-2CPCD
HATF904-2C-AC240-C	HD2-240A-2CPCD	HATF904-2C-AC277-C	HD2-277A-2CPCD
HATF904-2A-AC24-C	HD2-024A-2APCD	HATF904-2A-AC120-C	HD2-120A-2APCD
HATF904-2A-AC240-C	HD2-240A-2APCD	HATF904-2A-AC277-C	HD2-277A-2APCD
HATF904-2C-AC24-QC	HD2-024A-2CPM2D	HATF904-2C-AC120-QC	HD2-120A-2CPM2D
HATF904-2C-AC240-QC	HD2-240A-2CPM2D	HATF904-2C-AC277-QC	HD2-277A-2CPM2D
HATF904-2A-AC24-QC	HD2-024A-2APM2D	HATF904-2A-AC120-QC	HD2-120A-2APM2D
HATF904-2A-AC240-QC	HD2-240A-2APM2D	HATF904-2A-AC277-QC	HD2-277A-2APM2D
HATF904-2C-AC24	HD2-024A-2CPCS	HATF904-2C-AC120	HD2-120A-2CPCS
HATF904-2C-AC240	HD2-240A-2CPCS	HATF904-2C-AC277	HD2-277A-2CPCS
HATF904-2A-AC24	HD2-024A-2APCS	HATF904-2A-AC120	HD2-120A-2APCS
HATF904-2A-AC240	HD2-240A-2APCS	HATF904-2A-AC277	HD2-277A-2APCS
HATF904-2C-AC24-Q	HD2-024A-2CPM2S	HATF904-2C-AC120-Q	HD2-120A-2CPM2S
HATF904-2C-AC240-Q	HD2-240A-2CPM2S	HATF904-2C-AC277-Q	HD2-277A-2CPM2S
HATF904-2A-AC24-Q	HD2-024A-2APM2S	HATF904-2A-AC120-Q	HD2-120A-2APM2S
HATF904-2A-AC240-Q	HD2-240A-2APM2S	HATF904-2A-AC277-Q	HD2-277A-2APM2S

HASCO	GEI	HASCO	GEI
HBS	LS4	HBS	LS4
HBS-1.5-PCB	LS4-001.5-CS	HBS-3-PCB	LS4-003-CS
HBS-5-PCB	LS4-005-CS	HBS-6-PCB	LS4-006-CS
HBS-9-PCB	LS4-009-CS	HBS-12-PCB	LS4-012-CS
HBS-24-PCB	LS4-024-CS	HBS-1.5-S-PCB	LS4-001.5-CHS
HBS-3-S-PCB	LS4-003-CHS	HBS-5-S-PCB	LS4-005-CHS
HBS-6-S-PCB	LS4-006-CHS	HBS-9-S-PCB	LS4-009-CHS

Greenwich Electronics, Inc.

RELAY CROSS REFERENCE

HBS-12-S-PCB

LS4-012-CHS

HBS-24-S-PCB

LS4-024-CHS

HASCO

GEI

HASCO

GEI

HPR

LD2

HPR

LD2

HPR-1A3-1
HPR-1A6-1
HPR-1A12-1
HPR-1A24-1
HPR-1C5-1
HPR-1C9-1
HPR-1C18-1
HPR-1A3
HPR-1A6
HPR-1A12
HPR-1A24
HPR-1C5
HPR-1C9
HPR-1C18
HPR-1A3-1S
HPR-1A6-1S
HPR-1A12-1S
HPR-1A24-1S
HPR-1C5-1S
HPR-1C9-1S
HPR-1C18-1S
HPR-1A3-S
HPR-1A6-S
HPR-1A12-S
HPR-1A24-S
HPR-1C5-S
HPR-1C9-S
HPR-1C18-S

LD2-003-AD
LD2-006-AD
LD2-012-AD
LD2-024-AD
LD2-005-CD
LD2-009-CD
LD2-018-CD
LD2-003-AS
LD2-006-AS
LD2-012-AS
LD2-024-AS
LD2-005-CS
LD2-009-CS
LD2-018-CS
LD2-003-AHD
LD2-006-AHD
LD2-012-AHD
LD2-024-AHD
LD2-005-CHD
LD2-009-CHD
LD2-018-CHD
LD2-003-AHS
LD2-006-AHS
LD2-012-AHS
LD2-024-AHS
LD2-005-CHS
LD2-009-CHS
LD2-018-CHS

HPR-1A5-1
HPR-1A9-1
HPR-1A18-1
HPR-1C3-1
HPR-1C6-1
HPR-1C12-1
HPR-1C24-1
HPR-1A5
HPR-1A9
HPR-1A18
HPR-1C3
HPR-1C6
HPR-1C12
HPR-1C24
HPR-1A5-1S
HPR-1A9-1S
HPR-1A18-1S
HPR-1C3-1S
HPR-1C6-1S
HPR-1C12-1S
HPR-1C24-1S
HPR-1A5-S
HPR-1A9-S
HPR-1A18-S
HPR-1C3-S
HPR-1C6-S
HPR-1C12-S
HPR-1C24-S

LD2-005-AD
LD2-009-AD
LD2-018-AD
LD2-003-CD
LD2-006-CD
LD2-012-CD
LD2-024-CD
LD2-005-AS
LD2-009-AS
LD2-018-AS
LD2-003-CS
LD2-006-CS
LD2-012-CS
LD2-024-CS
LD2-005-AHD
LD2-009-AHD
LD2-018-AHD
LD2-003-CHD
LD2-006-CHD
LD2-012-CHD
LD2-024-CHD
LD2-005-AHS
LD2-009-AHS
LD2-018-AHS
LD2-003-CHS
LD2-006-CHS
LD2-012-CHS
LD2-024-CHS

HASCO

GEI

HASCO

GEI

HS-212

CY

HS-212

CY

HS-212-5
HS-212-6
HS-212-24

CY-5V
CY-9V
CY-24V

HS-212-6
HS-212-12
HS-212-48

CY-6V
CY-12V
CY-48V

Greenwich Electronics, Inc.

RELAY CROSS REFERENCE

HASCO	GEI	HASCO	GEI
KLT	AR7	KLT	AR7
KLT-1B-20-DC6	AR7-006-BQ8	KLT-1B-20-DC9	AR7-009-BQ8
KLT-1B-20-DC12	AR7-012-BQ8	KLT-1B-20-DC24	AR7-024-BQ8
KLT-1C-20-DC6	AR7-006-CQ8	KLT-1C-20-DC9	AR7-009-CQ8
KLT-1C-20-DC12	AR7-012-CQ8	KLT-1C-20-DC24	AR7-024-CQ8
KLT-1A-20-DC6	AR7-009-A8S	KLT-1A-20-DC9	AR7-012-A8S
KLT-1A-20-DC12	AR7-024-A8S	KLT-1A-20-DC24	AR7-006-B8S
KLT-1B-20-DC6	AR7-009-B8S	KLT-1B-20-DC9	AR7-012-B8S
KLT-1B-20-DC12	AR7-024-B8S	KLT-1B-20-DC24	AR7-006-C8S
KLT-1C-20-DC6	AR7-009-C8S	KLT-1C-20-DC9	AR7-012-C8S
KLT-1C-20-DC12	AR7-024-C8S	KLT-1C-20-DC24	AR7-006-AQ8S

HASCO	GEI	HASCO	GEI
KLT	GP1	KLT	GP1
KLT-1A-3-DC5	GP1-005-A5S	KLT-1A-3-DC5-1	GP1-005-A5S
KLT-1A-3-DC6	GP1-006-A5S	KLT-1A-3-DC6-1	GP1-006-A5S
KLT-1A-3-DC9	GP1-009-A5S	KLT-1A-3-DC9-1	GP1-009-A5S
KLT-1A-3-DC12-1	GP1-012-A5S	KLT-1A-3-DC12	GP1-012-A5S
KLT-1A-3-DC24	GP1-024-A5S	KLT-1A-3-DC24-1	GP1-024-A5S
KLT-1A-3-DC48-1	GP1-048-A5S	KLT-1A-3-DC48	GP1-048-A5S
KLT-1B-3-DC5	GP1-005-B5S	KLT-1B-3-DC5-1	GP1-005-B5S
KLT-1B-3-DC6-1	GP1-006-B5S	KLT-1B-3-DC6	GP1-006-B5S
KLT-1B-3-DC9	GP1-009-B5S	KLT-1B-3-DC9-1	GP1-009-B5S
KLT-1B-3-DC12-1	GP1-012-B5S	KLT-1B-3-DC12	GP1-012-B5S
KLT-1B-3-DC24	GP1-024-B5S	KLT-1B-3-DC24-1	GP1-024-B5S
KLT-1B-3-DC48	GP1-048-B5S	KLT-1B-3-DC48-1	GP1-048-B5S
KLT-1C-3-DC5-1	GP1-005-C5S	KLT-1C-3-DC5	GP1-005-C5S
KLT-1C-3-DC6	GP1-006-C5S	KLT-1C-3-DC6-1	GP1-006-C5S
KLT-1C-3-DC9	GP1-009-C5S	KLT-1C-3-DC9-1	GP1-009-C5S
KLT-1C-3-DC12-1	GP1-012-C5S	KLT-1C-3-DC12	GP1-012-C5S
KLT-1C-3-DC24-1	GP1-024-C5S	KLT-1C-3-DC24	GP1-024-C5S
KLT-1C-3-DC48-1	GP1-048-C5S	KLT-1C-3-DC48	GP1-048-C5S
KLT-1A-6-DC5-1	GP1-005-A10S	KLT-1A-6-DC5	GP1-005-A10S
KLT-1A-6-DC6	GP1-006-A10S	KLT-1A-6-DC6-1	GP1-006-A10S
KLT-1A-6-DC9-1	GP1-009-A10S	KLT-1A-6-DC9	GP1-009-A10S
KLT-1A-6-DC12	GP1-012-A10S	KLT-1A-6-DC12-1	GP1-012-A10S
KLT-1A-6-DC24-1	GP1-024-A10S	KLT-1A-6-DC24	GP1-024-A10S
KLT-1A-6-DC48	GP1-048-A10S	KLT-1A-6-DC48-1	GP1-048-A10S
KLT-1B-6-DC5-1	GP1-005-B10S	KLT-1B-6-DC5	GP1-005-B10S
KLT-1B-6-DC6-1	GP1-006-B10S	KLT-1B-6-DC6	GP1-006-B10S
KLT-1B-6-DC9-1	GP1-009-B10S	KLT-1B-6-DC9	GP1-009-B10S
KLT-1B-6-DC12-1	GP1-012-B10S	KLT-1B-6-DC12	GP1-012-B10S
KLT-1B-6-DC24-1	GP1-024-B10S	KLT-1B-6-DC24	GP1-024-B10S

Greenwich Electronics, Inc.

RELAY CROSS REFERENCE

KLT-1B-6-DC48	GP1-048-B10S	KLT-1B-6-DC48-1	GP1-048-B10S
KLT-1C-6-DC5-1	GP1-005-C10S	KLT-1C-6-DC5	GP1-005-C10S
KLT-1C-6-DC6	GP1-006-C10S	KLT-1C-6-DC6-1	GP1-006-C10S
KLT-1C-6-DC9-1	GP1-009-C10S	KLT-1C-6-DC9	GP1-009-C10S
KLT-1C-6-DC12-1	GP1-012-C10S	KLT-1C-6-DC12	GP1-012-C10S
KLT-1C-6-DC24	GP1-024-C10S	KLT-1C-6-DC24-1	GP1-024-C10S
KLT-1C-6-DC48	GP1-048-C10S	KLT-1C-6-DC48-1	GP1-048-C10S
KLT-1A-12-DC5	GP1-005-A12S	KLT-1A-12-DC5-1	GP1-005-A12S
KLT-1A-12-DC6	GP1-006-A12S	KLT-1A-12-DC6-1	GP1-006-A12S
KLT-1A-12-DC9-1	GP1-009-A12S	KLT-1A-12-DC9	GP1-009-A12S
KLT-1A-12-DC12-1	GP1-012-A12S	KLT-1A-12-DC12	GP1-012-A12S
KLT-1A-12-DC24-1	GP1-024-A12S	KLT-1A-12-DC24	GP1-024-A12S
KLT-1A-12-DC48-1	GP1-048-A12S	KLT-1A-12-DC48	GP1-048-A12S
KLT-1B-12-DC5	GP1-005-B12S	KLT-1B-12-DC5-1	GP1-005-B12S
KLT-1B-12-DC6	GP1-006-B12S	KLT-1B-12-DC6-1	GP1-006-B12S
KLT-1B-12-DC9	GP1-009-B12S	KLT-1B-12-DC9-1	GP1-009-B12S
KLT-1B-12-DC12-1	GP1-012-B12S	KLT-1B-12-DC12	GP1-012-B12S
KLT-1B-12-DC24	GP1-024-B12S	KLT-1B-12-DC24-1	GP1-024-B12S
KLT-1B-12-DC48-1	GP1-048-B12S	KLT-1B-12-DC48	GP1-048-B12S
KLT-1C-12-DC5-1	GP1-005-C12S	KLT-1C-12-DC5	GP1-005-C12S
KLT-1C-12-DC6-1	GP1-006-C12S	KLT-1C-12-DC6	GP1-006-C12S
KLT-1C-12-DC9	GP1-009-C12S	KLT-1C-12-DC9-1	GP1-009-C12S
KLT-1C-12-DC12-1	GP1-012-C12S	KLT-1C-12-DC12	GP1-012-C12S
KLT-1C-12-DC24	GP1-024-C12S	KLT-1C-12-DC24-1	GP1-024-C12S
KLT-1C-12-DC48-1	GP1-048-C12S	KLT-1C-12-DC48	GP1-048-C12S
KLT-1A-15-DC5-1	GP1-005-A15S	KLT-1A-15-DC5	GP1-005-A15S
KLT-1A-15-DC6-1	GP1-006-A15S	KLT-1A-15-DC6	GP1-006-A15S
KLT-1A-15-DC9-1	GP1-009-A15S	KLT-1A-15-DC9	GP1-009-A15S
KLT-1A-15-DC12-1	GP1-012-A15S	KLT-1A-15-DC12	GP1-012-A15S
KLT-1A-15-DC24-1	GP1-024-A15S	KLT-1A-15-DC24	GP1-024-A15S
KLT-1A-15-DC48	GP1-048-A15S	KLT-1A-15-DC48-1	GP1-048-A15S
KLT-1B-15-DC5-1	GP1-005-B15S	KLT-1B-15-DC5	GP1-005-B15S
KLT-1B-15-DC6-1	GP1-006-B15S	KLT-1B-15-DC6	GP1-006-B15S
KLT-1B-15-DC9	GP1-009-B15S	KLT-1B-15-DC9-1	GP1-009-B15S
KLT-1B-15-DC12-1	GP1-012-B15S	KLT-1B-15-DC12	GP1-012-B15S
KLT-1B-15-DC24	GP1-024-B15S	KLT-1B-15-DC24-1	GP1-024-B15S
KLT-1B-15-DC48	GP1-048-B15S	KLT-1B-15-DC48-1	GP1-048-B15S
KLT-1C-15-DC5	GP1-005-C15S	KLT-1C-15-DC5-1	GP1-005-C15S
KLT-1C-15-DC6-1	GP1-006-C15S	KLT-1C-15-DC6	GP1-006-C15S
KLT-1C-15-DC9-1	GP1-009-C15S	KLT-1C-15-DC9	GP1-009-C15S
KLT-1C-15-DC12	GP1-012-C15S	KLT-1C-15-DC12-1	GP1-012-C15S
KLT-1C-15-DC24-1	GP1-024-C15S	KLT-1C-15-DC24	GP1-024-C15S
KLT-1C-15-DC48	GP1-048-C15S	KLT-1C-15-DC48-1	GP1-048-C15S
KLT-1A-20-DC5-1	GP1-005-A20S	KLT-1A-20-DC5	GP1-005-A20S
KLT-1A-20-DC6	GP1-006-A20S	KLT-1A-20-DC6-1	GP1-006-A20S
KLT-1A-20-DC9	GP1-009-A20S	KLT-1A-20-DC9-1	GP1-009-A20S
KLT-1A-20-DC12	GP1-012-A20S	KLT-1A-20-DC12-1	GP1-012-A20S
KLT-1A-20-DC24-1	GP1-024-A20S	KLT-1A-20-DC24	GP1-024-A20S
KLT-1A-20-DC48	GP1-048-A20S	KLT-1A-20-DC48-1	GP1-048-A20S
KLT-1B-20-DC5	GP1-005-B20S	KLT-1B-20-DC5-1	GP1-005-B20S

Greenwich Electronics, Inc.

RELAY CROSS REFERENCE

KLT-1B-20-DC6-1	GP1-006-B20S	KLT-1B-20-DC6	GP1-006-B20S
KLT-1B-20-DC9	GP1-009-B20S	KLT-1B-20-DC9-1	GP1-009-B20S
KLT-1B-20-DC12-1	GP1-012-B20S	KLT-1B-20-DC12	GP1-012-B20S
KLT-1B-20-DC24-1	GP1-024-B20S	KLT-1B-20-DC24	GP1-024-B20S
KLT-1B-20-DC48	GP1-048-B20S	KLT-1B-20-DC48-1	GP1-048-B20S
KLT-1C-20-DC5	GP1-005-C20S	KLT-1C-20-DC5-1	GP1-005-C20S
KLT-1C-20-DC6-1	GP1-006-C20S	KLT-1C-20-DC6	GP1-006-C20S
KLT-1C-20-DC9-1	GP1-009-C20S	KLT-1C-20-DC9	GP1-009-C20S
KLT-1C-20-DC12-1	GP1-012-C20S	KLT-1C-20-DC12	GP1-012-C20S
KLT-1C-20-DC24	GP1-024-C20S	KLT-1C-20-DC24-1	GP1-024-C20S
KLT-1C-20-DC48-1	GP1-048-C20S	KLT-1C-20-DC48	GP1-048-C20S

HASCO	GEI	HASCO	GEI
KSD205	LD1	KSD205	LD1
KSD205-3VDC	LD1-003-5S	KSD205-6VDC	LD1-006-5S
KSD205-9VDC	LD1-009-5S	KSD205-12VDC	LD1-012-5S
KSD205-24VDC	LD1-024-5S		

HASCO	GEI	HASCO	GEI
MHR	CQ	MHR	CQ
MHR-10-C-DC5V	CQ1-HD5S	MHR-10-C-DC6V	CQ1-HD6S
MHR-10-C-DC9V	CQ1-HD9S	MHR-10-C-DC12V	CQ1-HD12S
MHR-10-C-DC24V	CQ1-HD24S	MHR-16-A-DC5V	CQ11-ED5S
MHR-16-A-DC6V	CQ11-ED6S	MHR-16-A-DC9V	CQ11-ED9S
MHR-16-A-DC12V	CQ11-ED12S	MHR-16-A-DC24V	CQ11-ED24S
MHR-10-A-DC5V	CQ11-HD5S	MHR-10-A-DC6V	CQ11-HD6S
MHR-10-A-DC9V	CQ11-HD9S	MHR-10-A-DC12V	CQ11-HD12S
MHR-10-A-DC24V	CQ11-HD24S		

HASCO	GEI	HASCO	GEI
PR	CH	PR	CH
PR-1A-16-24-K	CH11-ED24F	PR-1C-16-3-K	CH1-ED3S
PR-1C-16-5-K	CH1-ED5S	PR-1C-16-6-K	CH1-ED6S
PR-1C-16-12-K	CH1-ED12S	PR-1C-16-24-K	CH1-ED24S
PR-1C-16-48-K	CH1-ED48S	PR-1C-10-3-R	CH1-HD3S
PR-1C-10-5-R	CH1-HD5S	PR-1C-10-6-R	CH1-HD6S

Greenwich Electronics, Inc.

RELAY CROSS REFERENCE

PR-1C-10-12-R	CH1-HD12S	PR-1C-10-24-R	CH1-HD24S
PR-1C-10-48-R	CH1-HD48S	PR-1A-16-3-K	CH11-ED3S
PR-1A-16-5-K	CH11-ED5S	PR-1A-16-6-K	CH11-ED6S
PR-1A-16-12-K	CH11-ED12S	PR-1A-16-48-K	CH11-ED48S
PR-1A-10-3-R	CH11-HD3S	PR-1A-10-5-R	CH11-HD5S
PR-1A-10-6-R	CH11-HD6S	PR-1A-10-12-R	CH11-HD24S
PR-1A-10-24-R	CH11-HD48S	PR-1A-10-48-R	CH11-HD100S
PR-2C-5-3-K	CH2-MD3S	PR-2C-5-5-K	CH2-MD5S
PR-2C-5-6-K	CH2-MD6S	PR-2C-5-12-K	CH2-MD12S
PR-2C-5-24-K	CH2-MD24S	PR-2C-5-48-K	CH2-MD48S
PR-2A-5-3-K	CH22-MD3S	PR-2A-5-5-K	CH22-MD5S
PR-2A-5-6-K	CH22-MD6S	PR-2A-5-12-K	CH22-MD12S
PR-2A-5-24-K	CH22-MD24S	PR-2A-5-48-K	CH22-MD48S

HASCO

GEI

HASCO

GEI

PR

KH

PR

KH

PR-1C-10-5-R
PR-1C-10-9-R
PR-1C-10-24-R
PR-1A-10-5-R
PR-1A-10-9-R
PR-1A-10-24-R

KH1-H5SH
KH1-H9SH
KH1-H24SH
KH11-H5SH
KH11-H9SH
KH11-H24SH

PR-1C-10-6-R
PR-1C-10-12-R
PR-1C-10-48-R
PR-1A-10-6-R
PR-1A-10-12-R
PR-1A-10-48-R

KH1-H6SH
KH1-H12SH
KH1-H48SH
KH11-H6SH
KH11-H12SH
KH11-H48SH

HASCO

GEI

HASCO

GEI

SC-111

LS1

SC-111

LS1

SC-111-3
SC-111-6
SC-111-12

LS1-003-5L1S
LS1-006-5L1S
LS1-012-5L1S

SC-111-5
SC-111-9
SC-111-24

LS1-005-5L1S
LS1-009-5L1S
LS1-024-5L1S

HASCO

GEI

HASCO

GEI

SC-211

LS1

SC-211

LS1

SC-211-3
SC-211-6
SC-211-12

LS1-003-5H3S
LS1-006-5H3S
LS1-012-5H3S

SC-211-5
SC-211-9
SC-211-24

LS1-005-5H3S
LS1-009-5H3S
LS1-024-5H3S

Greenwich Electronics, Inc.

RELAY CROSS REFERENCE

HASCO	GEI	HASCO	GEI
SSD	GP2	SSD	GP2
SSD-B-103P-DC3	GP2-003-CH5D	SSD-B-103P-DC6	GP2-006-CH5D
SSD-B-103P-DC9	GP2-009-CH5D	SSD-B-103P-DC12	GP2-012-CH5D
SSD-B-103P-DC24	GP2-024-CH5D	SSD-B-103P-DC48	GP2-048-CH5D
SSD-B-110P-DC3	GP2-003-CH10D	SSD-B-110P-DC6	GP2-006-CH10D
SSD-B-110P-DC9	GP2-009-CH10D	SSD-B-110P-DC12	GP2-012-CH10D
SSD-B-110P-DC24	GP2-024-CH10D	SSD-B-110P-DC48	GP2-048-CH10D
SSD-B-103H-DC3	GP2-003-CH5S	SSD-B-103H-DC6	GP2-006-CH5S
SSD-B-103H-DC9	GP2-009-CH5S	SSD-B-103H-DC12	GP2-012-CH5S
SSD-B-103H-DC24	GP2-024-CH5S	SSD-B-103H-DC48	GP2-048-CH5S
SSD-B-110H-DC3	GP2-003-CH10S	SSD-B-110H-DC6	GP2-006-CH10S
SSD-B-110H-DC9	GP2-009-CH10S	SSD-B-110H-DC12	GP2-012-CH10S
SSD-B-110H-DC24	GP2-003-CH124	SSD-B-110H-DC48	GP2-048-CH10S
HASCO	GEI	HASCO	GEI
UJ	GP8	UJ	GP8
UJ-1CQ-DC6	GP8-006D-1CPL	UJ-1CQ-DC12	GP812-1CPL
UJ-1CQ-DC24	GP8-024D-1CPL	UJ-1CQ-DC48	GP8-048D-1CPL
UJ-1CQ-DC110	GP8-100/110D-1CPL	UJ-1CQ-DC6-FT	GP8-006D-1CTM
UJ-1CQ-DC12-FT	GP8-012D-1CTM	UJ-1CQ-DC24-FT	GP8-024D-1CTM
UJ-1CQ-DC48-FT	GP8-048D-1CTM	UJ-1CQ-DC110-FT	GP8-100/110D-1CTM
UJ-1CQ-AC6	GP8-006A-1CPL	UJ-1CQ-AC12	GP8-012A-1CPL
UJ-1CQ-AC24	GP8-024A-1CPL	UJ-1CQ-AC48	GP8-048A-1CPL
UJ-1CQ-AC120	GP8-110/120A-1CPL	UJ-1CQ-AC220/240	GP8-220/240A-1CPL
UJ-1CQ-AC6-FT	GP8-006A-1CTM	UJ-1CQ-AC12-FT	GP8-012A-1CTM
UJ-1CQ-AC24-FT	GP8-024A-1CTM	UJ-1CQ-AC48-FT	GP8-048A-1CTM
UJ-1CQ-AC120-FT	GP8-110/120A-1CTM	UJ-1CQ-AC220/240-FT	GP8-220/240A-1CTM
UJ-2CQ-DC6	GP8-006D-2CPC	UJ-2CQ-DC12	GP8-012D-2CPC
UJ-2CQ-DC24	GP8-024D-2CPC	UJ-2CQ-DC48	GP8-048D-2CPC
UJ-2CQ-DC110	GP8-100/110D-2CPC	UJ-2CQ-DC6-FT	GP8-006D-2CTM
UJ-2CQ-DC12-FT	GP8-012D-2CTM	UJ-2CQ-DC24-FT	GP8-024D-2CTM
UJ-2CQ-DC48-FT	GP8-048D-2CTM	UJ-2CQ-DC110-FT	GP8-100/110D-2CTM
UJ-2CQ-AC6	GP8-006A-2CPL	UJ-2CQ-AC12	GP8-012A-2CPL
UJ-2CQ-AC24	GP8-024A-2CPL	UJ-2CQ-AC48	GP8-048A-2CPL
UJ-2CQ-AC120	GP8-110/120A-2CPL	UJ-2CQ-AC220/240	GP8-220/240A-2CPL
UJ-2CQ-AC6-FT	GP8-006A-2CTM	UJ-2CQ-AC12-FT	GP8-012A-2CTM
UJ-2CQ-AC24-FT	GP8-024A-2CTM	UJ-2CQ-AC48-FT	GP8-048A-2CTM
UJ-2CQ-AC120-FT	GP8-110/120A-2CTM	UJ-2CQ-AC220/240-FT	GP8-006A-2CTM

Greenwich Electronics, Inc.

RELAY CROSS REFERENCE

NTE	GEI	NTE	GEI
R02	GP4	R02	GP4
R02-11D10-6	GP4-006D-2C2	R02-11D10-12	GP4-012D-2C2
R02-11D10-24	GP4-024D-2C2	R02-11D10-48	GP4-048D-2C2
R02-11A10-6	GP4-006A-2C2	R02-11A10-12	GP4-012A-2C2
R02-11A10-24	GP4-024A-2C2	R02-11A10-120	GP4-110A-2C2
R02-11A10-240	GP4-220A-2C2	R02-14D10-6	GP4-006D-3C2
R02-14D10-12	GP4-012D-3C2	R02-14D10-24	GP4-024D-3C2
R02-14D10-48	GP4-048D-3C2	R02-14A10-6	GP4-006A-3C2
R02-14A10-12	GP4-012A-3C2	R02-14A10-24	GP4-024A-3C2
R02-14A10-120	GP4-110A-3C2	R02-14A10-240	GP4-220A-3C2
R12	LD5	R12	LD5
R12-11D5-6P	LD5-006D-2CPC	R12-11D5-12P	LD5-012D-2CPC
R12-11D5-24P	LD5-024D-2CPC	R12-11D5-48P	LD5-048D-2CPC
R12-11D5-110P	LD5-100/110D-2CPC	R12-11D5-6	LD5-006D-2CPL
R12-11D5-12	LD5-012D-2CPL	R12-11D5-24	LD5-024D-2CPL
R12-11D5-48	LD5-048D-2CPL	R12-11D5-110	LD5-100/110D-2CPL
R12-11A5-6P	LD5-006A-2CPC	R12-11A5-12P	LD5-012A-2CPC
R12-11A5-24P	LD5-024A-2CPC	R12-11A5-48P	LD5-048A-2CPC
R12-11A5-120P	LD5-110/120A-2CPC	R12-11A5-240P	LD5-220/240A-2CPC
R12-11A5-6	LD5-006A-2CPL	R12-11A5-12	LD5-012A-2CPL
R12-11A5-24	LD5-024A-2CPL	R12-11A5-48	LD5-048A-2CPL
R12-11A5-120	LD5-110/120A-2CPL	R12-14D5-6P	LD5-006D-3CPC
R12-14D5-12P	LD5-012D-3CPC	R12-14D5-24P	LD5-024D-3CPC
R12-14D5-48P	LD5-048D-3CPC	R12-14D5-110P	LD5-100/110D-3CPC
R12-14D5-6	LD5-006D-3CPL	R12-14D5-12	LD5-012D-3CPL
R12-14D5-24	LD5-024D-3CPL	R12-14D5-48	LD5-048D-3CPL
R12-14D5-110	LD5-100/110D-3CPL	R12-14A5-6P	LD5-006A-3CPC
R12-14A5-12P	LD5-012A-3CPC	R12-14A5-24P	LD5-024A-3CPC
R12-14A5-48P	LD5-048A-3CPC	R12-14A5-120P	LD5-110/120A-3CPC
R12-14A5-240P	LD5-220/240A-3CPC	R12-14A5-6	LD5-006A-3CPL
R12-14A5-12	LD5-012A-3CPL	R12-14A5-24	LD5-024A-3CPL
R12-14A5-48	LD5-048A-3CPL	R12-14A5-120	LD5-110/120A-3CPL
R12-14A5-240	LD5-220/240A-3CPL	R12-17D3-6P	LD5-006D-4CPC
R12-17D3-12P	LD5-012D-4CPC	R12-17D3-24P	LD5-024D-4CPC
R12-17D3-48P	LD5-048D-4CPC	R12-17D3-110P	LD5-100/110D-4CPC
R12-17D3-6	LD5-006D-4CPL	R12-17D3-12	LD5-012D-4CPL
R12-17D3-24	LD5-024D-4CPL	R12-17D3-48	LD5-048D-4CPL
R12-17D3-110	LD5-100/110D-4CPL	R12-17A3-6P	LD5-006A-4CPC
R12-17A3-12P	LD5-012A-4CPC	R12-17A3-24P	LD5-024A-4CPC
R12-17A3-48P	LD5-048A-4CPC	R12-17A3-120P	LD5-110/120A-4CPC

Greenwich Electronics, Inc.

RELAY CROSS REFERENCE

R12-17A3-240P
R12-17A3-12
R12-17A3-48
R12-17A3-240

LD5-220/240A-4CPC
LD5-012A-4CPL
LD5-048A-4CPL
LD5-220/240A-4CPL

R12-17A3-6
R12-17A3-24
R12-17A3-120

LD5-006A-4CPL
LD5-024A-4CPL
LD5-110/120A-4CPL

NTE

GEI

NTE

GEI

R14

GP8

R14

GP8

R14-5D15-6P
R14-5D15-24P
R14-5D15-110P
R14-5D15-12
R14-5D15-48
R14-5D15-6F
R14-5D15-24F
R14-5D15-48F
R14-5A15-6P
R14-5A15-24P
R14-5A15-120P
R14-5A15-6
R14-5A15-24
R14-5A15-120
R14-5A15-6F
R14-5A15-12F
R14-5A15-48F
R14-5A15-240F
R14-11D10-12P
R14-11D10-48P
R14-11D10-6
R14-11D10-24
R14-11D10-110
R14-11D10-12F
R14-11D10-48F
R14-11A10-6P
R14-11A10-24P
R14-11A10-120P
R14-11A10-6
R14-11A10-24
R14-11A10-120
R14-11A10-6F
R14-11A10-24F
R14-11A10-120F

GP8-006D-1CPC
GP8-024D-1CPC
GP8-100/110D-1CPC
GP812-1CPL
GP8-048D-1CPL
GP8-006D-1CTM
GP8-024D-1CTM
GP8-048D-1CTM
GP8-006A-1CPC
GP8-024A-1CPC
GP8-110/120A-1CPC
GP8-006A-1CPL
GP8-024A-1CPL
GP8-110/120A-1CPL
GP8-006A-1CTM
GP8-012A-1CTM
GP8-048A-1CTM
GP8-220/240A-1CTM
GP8-012D-2CPC
GP8-048D-2CPC
GP8-006D-2CPL
GP8-024D-2CPL
GP8-100/110D-2CPL
GP8-012D-2CTM
GP8-048D-2CTM
GP8-006A-2CPC
GP8-024A-2CPC
GP8-110/120A-2CPC
GP8-006A-2CPL
GP8-024A-2CPL
GP8-110/120A-2CPL
GP8-006A-2CTM
GP8-024A-2CTM
GP8-110/120A-2CTM

R14-5D15-12P
R14-5D15-48P
R14-5D15-6
R14-5D15-24
R14-5D15-110
R14-5D15-12F
R14-5D15-24F
R14-5D15-110F
R14-5A15-12P
R14-5A15-48P
R14-5A15-240P
R14-5A15-12
R14-5A15-48
R14-5A15-240
R14-5A15-12F
R14-5A15-24F
R14-5A15-120F
R14-11D10-6P
R14-11D10-24P
R14-11D10-110P
R14-11D10-12
R14-11D10-48
R14-11D10-6F
R14-11D10-24F
R14-11D10-110F
R14-11A10-12P
R14-11A10-48P
R14-11A10-240P
R14-11A10-12
R14-11A10-48
R14-11A10-240
R14-11A10-12F
R14-11A10-48F
R14-11A10-240F

GP8-012D-1CPC
GP8-048D-1CPC
GP8-006D-1CPL
GP8-024D-1CPL
GP8-100/110D-1CPL
GP8-012D-1CTM
GP8-024D-1CTM
GP8-100/110D-1CTM
GP8-012A-1CPC
GP8-048A-1CPC
GP8-220/240A-1CPC
GP8-012A-1CPL
GP8-048A-1CPL
GP8-220/240A-1CPL
GP8-012A-1CTM
GP8-024A-1CTM
GP8-110/120A-1CTM
GP8-006D-2CPC
GP8-024D-2CPC
GP8-100/110D-2CPC
GP8-012D-2CPL
GP8-048D-2CPL
GP8-006D-2CTM
GP8-024D-2CTM
GP8-100/110D-2CTM
GP8-012A-2CPC
GP8-048A-2CPC
GP8-220/240A-2CPC
GP8-012A-2CPL
GP8-048A-2CPL
GP8-220/240A-2CPL
GP8-012A-2CTM
GP8-048A-2CTM
GP8-220/240A-2CTM

Greenwich Electronics, Inc.

RELAY CROSS REFERENCE

NTE	GEI	NTE	GEI
R25	CH	R25	CH
R25-5D16-5/6	CH1-ED5S	R25-5D16-12	CH1-ED12S
R25-5D16-24	CH1-ED24S	R25-5D16-48	CH1-ED48S
R25-1D16-5/6	CH11-ED5S	R25-1D16-12	CH11-ED12S
R25-1D16-24	CH11-ED24S	R25-1D16-48	CH11-ED48S

NTE	GEI	NTE	GEI
R40	CY	R40	CY
R40-11D2-5/6	CY-5V	R40-11D2-5/6	CY-6V
R40-11D2-9	CY-9V	R40-11D2-12	CY-12V
R40-11D2-24	CY-24V	R40-11D2-48	CY-48V

NTE	GEI	NTE	GEI
R45	HD1	R45	HD1
R45-1D30-5/6	HD1-005D-A30PQS	R45-1D30-5/6	HD1-005D-A30PQS
R45-1D30-12	HD1-012D-A30PQS	R45-1D30-12	HD1-012D-A30PQS
R45-1D30-24	HD1-024D-A30PQS	R45-1D30-24	HD1-024D-A30PQS
R45-5D20-5/6	HD1-005D-C30PQS	R45-5D20-5/6	HD1-005D-C30PQS
R45-5D20-12	HD1-012D-C30PQS	R45-5D20-12	HD1-012D-C30PQS
R45-5D20-24	HD1-024D-C30PQS	R45-5D20-24	HD1-024D-C30PQS
R45-1D30-5/6F	HD1-005D-A30PMS	R45-1D30-5/6F	HD1-005D-A30PMS
R45-1D30-12F	HD1-012D-A30PMS	R45-1D30-12F	HD1-012D-A30PMS
R45-1D30-24F	HD1-024D-A30PMS	R45-1D30-24F	HD1-024D-A30PMS
R45-5D20-5/6F	HD1-005D-C30PMS	R45-5D20-5/6F	HD1-005D-C30PMS
R45-5D20-12F	HD1-012D-C30PMS	R45-5D20-12F	HD1-012D-C30PMS
R45-5D20-24F	HD1-018D-C30PMS	R45-5D20-24F	HD1-024D-C30PMS

Greenwich Electronics, Inc.

RELAY CROSS REFERENCE

NTE	GEI	NTE	GEI
R46	GP1	R46	GP1
R46-5D3-6	GP1-006-C5S	R46-5D3-12	GP1-012-C5S
R46-5D3-24	GP1-024-C5S	R46-5D12-6	GP1-006-C12S
R46-5D12-12	GP1-012-C12S	R46-5D12-24	GP1-024-C12S
NTE	GEI	NTE	GEI
R47	CHP	R47	CHP
R47-1A15-120	CHP11-A115S		
NTE	GEI	NTE	GEI
R51	AR1	R51	AR1
R51-1D40-12	AR1-012-A01N	R51-5D40-12	AR1-012-C01N
R51-1D40-12F	AR1-012-A01R	R51-5D40-12F	AR1-012-C01R
NTE	GEI	NTE	GEI
R51	AR2	R51	AR2
R51-1D70-12	AR2-012-A01N	R51-1D70-12F	AR2-012-A01M
NTE	GEI	NTE	GEI
R51	AR3	R51	AR3
R51-1D70-12	AR3-012-A01M	R51-1D70-12F	AR3-012-A01N
R51-1D70-12P	AR3-012-A02N		

Greenwich Electronics, Inc.

RELAY CROSS REFERENCE

NTE	GEI	NTE	GEI
R52	AR5	R52	AR5
R52-1D40-12	AR5-012-AUHO	R52-5D40-12	AR5-012-CUHO
R53	HD1	R53	HD1
R53-1D30-6	HD1-006D-A30PCS	R53-1D30-12	HD1-012D-A30PCS
R53-1D30-24	HD1-024D-A30PCS	R53-5D20-6	HD1-006D-C30PCS
R53-5D20-12	HD1-012D-C30PCS	R53-5D20-24	HD1-024D-C30PCS
R53-5D20-48	HD1-0048D-C30PCS	R53-5D20-110	HD1-110D-C30PCS
R70	LS4	R70	LS4
R70-5D1-3	LS4-003-CHS	R70-5D1-5	LS4-005-CHS
R70-5D1-6	LS4-006-CHS	R70-5D1-12	LS4-012-CHS
R70-5D1-24	LS4-024-CHS		
R73	GP2	R73	GP2
R73-1D10-3	GP2-003-A10S	R73-1D10-5/6	GP2-006-A10S
R73-1D10-12	GP2-012-A10S	R73-1D10-24	GP2-024-A10S
R73-5D10-3	GP2-003-C10S	R73-5D10-5/6	GP2-006-C10S
R73-5D10-12	GP2-012-C10S	R73-5D10-24	GP2-024-C10S

Greenwich Electronics, Inc.

RELAY CROSS REFERENCE

OEG	GEI	OEG	GEI
OJE	LD3	OJE	LD3
OJE-SS-103LM	LD3-003-AH5D	OJE-SS-105LM	LD3-005-AH5D
OJE-SS-106LM	LD3-006-AH5D	OJE-SS-109LM	LD3-009-AH5D
OJE-SS-112LM	LD3-012-AH5D	OJE-SS-124LM	LD3-024-AH5D
OJE-SS-103DM	LD3-003-A10D	OJE-SS-103HM	LD3-003-A10D
OJE-SS-105HM	LD3-005-A10D	OJE-SS-105DM	LD3-005-A10D
OJE-SS-106HM	LD3-006-A10D	OJE-SS-106DM	LD3-006-A10D
OJE-SS-109HM	LD3-009-A10D	OJE-SS-109DM	LD3-009-A10D
OJE-SS-112DM	LD3-003-A10D	OJE-SS-112HM	LD3-012-A10D
OJE-SS-124HM	LD3-024-A10D	OJE-SS-124DM	LD3-024-A10D
OJE-SS-148DM	LD3-048-A10D	OJE-SH-103LM	LD3-003-AH5S
OJE-SH-105LM	LD3-005-AH5S	OJE-SH-106LM	LD3-006-AH5S
OJE-SH-109LM	LD3-009-AH5S	OJE-SH-112LM	LD3-012-AH5S
OJE-SH-124LM	LD3-024-AH5S	OJE-SH-103HM	LD3-003-A10S
OJE-SH-103DM	LD3-003-A10S	OJE-SH-105HM	LD3-005-A10S
OJE-SH-105DM	LD3-005-A10S	OJE-SH-106HM	LD3-006-A10S
OJE-SH-106DM	LD3-006-A10S	OJE-SH-109DM	LD3-009-A10S
OJE-SH-109HM	LD3-009-A10S	OJE-SH-112HM	LD3-012-A10S
OJE-SH-112DM	LD3-012-A10S	OJE-SH-124DM	LD3-024-A10S
OJE-SH-124HM	LD3-024-A10S		

OEG	GEI	OEG	GEI
OMI	CH	OMI	CH
OMI-SS-103L	CH1-HD3F	OMI-SS-105L	CH1-HD5F
OMI-SS-106L	CH1-HD6F	OMI-SS-112L	CH1-HD12F
OMI-SS-124L	CH1-HD24F	OMI-SS-148L	CH1-HD48F
OMI-SS-103LM	CH11-HD3F	OMI-SS-105LM	CH11-HD5F
OMI-SS-106LM	CH11-HD6F	OMI-SS-112LM	CH11-HD12F
OMI-SS-124LM	CH11-HD24F	OMI-SS-148LM	CH11-HD48F
OMI-SS-203L	CH2-MD3F	OMI-SS-205L	CH2-MD5F
OMI-SS-206L	CH2-MD6F	OMI-SS-212L	CH2-MD12F
OMI-SS-224L	CH2-MD24F	OMI-SS-248L	CH2-MD48F
OMI-SS-203LM	CH22-MD3F	OMI-SS-205LM	CH22-MD5F
OMI-SS-206LM	CH22-MD6F	OMI-SS-212LM	CH22-MD12F
OMI-SS-224LM	CH22-MD24F	OMI-SS-248LM	CH22-MD48F
OMI-SH-103L	CH1-HD3S	OMI-SH-105L	CH1-HD5S
OMI-SH-106L	CH1-HD6S	OMI-SH-112L	CH1-HD12S
OMI-SH-124L	CH1-HD24S	OMI-SH-148L	CH1-HD48S
OMI-SH-103LM	CH11-HD3S	OMI-SH-105LM	CH11-HD5S
OMI-SH-106LM	CH11-HD6S	OMI-SH-112LM	CH11-HD24S
OMI-SH-124LM	CH11-HD48S	OMI-SH-148LM	CH11-HD100S
OMI-SH-203L	CH2-MD3S	OMI-SH-205L	CH2-MD5S

Greenwich Electronics, Inc.

RELAY CROSS REFERENCE

OMI-SH-206L
OMI-SH-224L
OMI-SH-203LM
OMI-SH-206LM
OMI-SH-224LM

CH2-MD6S
CH2-MD24S
CH22-MD3S
CH22-MD6S
CH22-MD24S

OMI-SH-212L
OMI-SH-248L
OMI-SH-205LM
OMI-SH-212LM
OMI-SH-248LM

CH2-MD12S
CH2-MD48S
CH22-MD5S
CH22-MD12S
CH22-MD48S

OEG

GEI

OEG

GEI

OMI

KH

OMI

KH

OMI-SH-103D
OMI-SH-105D
OMI-SH-106D
OMI-SS-109D
OMI-SS-112D
OMI-SS-124D
OMI-SS-148D
OMI-SH-103L
OMI-SS-105L
OMI-SS-106L
OMI-SS-109L
OMI-SS-112L
OMI-SS-124L
OMI-SS-148L
OMI-SH-103DM
OMI-SS-105DM
OMI-SS-106DM
OMI-SS-109DM
OMI-SS-112DM
OMI-SS-124DM
OMI-SS-148DM
OMI-SS-103LM
OMI-SH-105LM
OMI-SS-106LM
OMI-SS-109LM
OMI-SH-112LM
OMI-SS-124LM
OMI-SS-148LM

KH1-H3S
KH1-H5S
KH1-H6S
KH1-H9S
KH1-H12S
KH1-H24S
KH1-H48S
KH1-H3SH
KH1-H5SH
KH1-H6SH
KH1-H9SH
KH1-H12SH
KH1-H24SH
KH1-H48SH
KH11-H3S
KH11-H5S
KH11-H6S
KH11-H9S
KH11-H12S
KH11-H24S
KH11-H48S
KH11-H3SH
KH11-H5SH
KH11-H6SH
KH11-H9SH
KH11-H12SH
KH11-H24SH
KH11-H48SH

OMI-SS-103D
OMI-SS-105D
OMI-SS-106D
OMI-SH-109D
OMI-SH-112D
OMI-SH-124D
OMI-SH-148D
OMI-SS-103L
OMI-SH-105L
OMI-SH-106L
OMI-SH-109L
OMI-SH-112L
OMI-SH-124L
OMI-SH-148L
OMI-SS-103DM
OMI-SH-105DM
OMI-SH-106DM
OMI-SH-109DM
OMI-SH-112DM
OMI-SH-124DM
OMI-SH-148DM
OMI-SH-103LM
OMI-SS-105LM
OMI-SH-106LM
OMI-SH-109LM
OMI-SS-112LM
OMI-SH-124LM
OMI-SH-148LM

KH1-H3S
KH1-H5S
KH1-H6S
KH1-H9S
KH1-H12S
KH1-H24S
KH1-H48S
KH1-H3SH
KH1-H5SH
KH1-H6SH
KH1-H9SH
KH1-H12SH
KH1-H24SH
KH1-H48SH
KH11-H3S
KH11-H5S
KH11-H6S
KH11-H9S
KH11-H12S
KH11-H24S
KH11-H48S
KH11-H3SH
KH11-H5SH
KH11-H6SH
KH11-H9SH
KH11-H12SH
KH11-H24SH
KH11-H48SH

Greenwich Electronics, Inc.

RELAY CROSS REFERENCE

OEG	GEI	OEG	GEI
ORU	HD1	ORU	HD1
ORU-SH-105DM	HD1-005D-A30PCS	ORU-SH-106DM	HD1-006D-A30PCS
ORU-SH-109DM	HD1-009D-A30PCS	ORU-SH-112DM	HD1-012D-A30PCS
ORU-SH-124DM	HD1-024D-A30PCS	ORU-SH-148DM	HD1-048D-A30PCS
ORU-SH-105D	HD1-005D-C30PCS	ORU-SH-106D	HD1-006D-C30PCS
ORU-SH-109D	HD1-009D-C30PCS	ORU-SH-112D	HD1-012D-C30PCS
ORU-SH-124D	HD1-024D-C30PCS	ORU-SH-148D	HD1-0048D-C30PCS

OEG	GEI	OEG	GEI
ORW	GP1	ORW	GP1
ORW-SS-106DM	GP1-006-A5S	ORW-SH-106DM	GP1-006-A5S
ORW-SH-109DM	GP1-009-A5S	ORW-SS-109DM	GP1-009-A5S
ORW-SH-112DM	GP1-012-A5S	ORW-SS-112DM	GP1-012-A5S
ORW-SH-124DM	GP1-024-A5S	ORW-SS-124DM	GP1-048-A5S
ORW-SH-148DM	GP1-048-A5S	ORW-SS-106D	GP1-006-C5S
ORW-SH-106D	GP1-006-C5S	ORW-SH-109D	GP1-009-C5S
ORW-SS-109D	GP1-009-C5S	ORW-SS-112D	GP1-012-C5S
ORW-SH-112D	GP1-012-C5S	ORW-SH-124D	GP1-024-C5S
ORW-SS-124D	GP1-024-C5S	ORW-SH-148D	GP1-048-C5S
ORW-SS-148D	GP1-048-C5S		

OEG	GEI	OEG	GEI
ORWH	GP1	ORWH	GP1
ORWH-SH-106DM	GP1-006-A5S	ORWH-SS-106DM	GP1-006-A5S
ORWH-SS-109DM	GP1-009-A5S	ORWH-SH-109DM	GP1-009-A5S
ORWH-SS-112DM	GP1-012-A5S	ORWH-SH-112DM	GP1-012-A5S
ORWH-SH-124DM	GP1-024-A5S	ORWH-SS-124DM	GP1-024-A5S
ORWH-SH-148DM	GP1-048-A5S	ORWH-SS-148DM	GP1-048-A5S
ORWH-SS-106D	GP1-006-C5S	ORWH-SH-106D	GP1-006-C5S
ORWH-SH-109D	GP1-009-C5S	ORWH-SS-109D	GP1-009-C5S
ORWH-SS-112D	GP1-012-C5S	ORWH-SH-112D	GP1-012-C5S
ORWH-SH-124D	GP1-024-C5S	ORWH-SS-124D	GP1-024-C5S
ORWH-SS-148D	GP1-048-C5S	ORWH-SH-148D	GP1-048-C5S

Greenwich Electronics, Inc.

RELAY CROSS REFERENCE

OEG	GEI	OEG	GEI
OUA	LS1	OUA	LS1
OUA-SS-103D	LS1-003-6L3D	OUA-SS-106D	LS1-006-6L3D
OUA-SS-112D	LS1-012-6L3D	OUA-SS-124D	LS1-024-6L3D
OUA-SH-103D	LS1-003-6L3S	OUA-SH-106D	LS1-006-6L3S
OUA-SH-109D	LS1-009-6L3S	OUA-SH-112D	LS1-012-6L3S
OUA-SH-124D	LS1-024-6L3S	OUA-SS-109D	LS1-009-6L3D
OEG	GEI	OEG	GEI
OUAT	LS1	OUAT	LS1
OUAT-SS-103D	LS1-003-6L1D	OUAT-SS-106D	LS1-006-6L1D
OUAT-SS-109D	LS1-009-6L1D	OUAT-SS-112D	LS1-012-6L1D
OUAT-SS-124D	LS1-024-6L1D	OUAT-SH-103D	LS1-003-6L1S
OUAT-SH-106D	LS1-006-6L1S	OUAT-SH-109D	LS1-009-6L1S
OUAT-SH-112D	LS1-012-6L1S	OUAT-SH-124D	LS1-024-6L1S
OEG	GEI	OEG	GEI
OUAZ	LS1	OUAZ	LS1
OUAZ-SS-103L	LS1-003-5H1D	OUAZ-SS-106L	LS1-006-5H1D
OUAZ-SS-109L	LS1-009-5H1D	OUAZ-SS-112L	LS1-012-5H1D
OUAZ-SS-124L	LS1-024-5H1D	OUAZ-SH-103L	LS1-003-5H1S
OUAZ-SH-106L	LS1-006-5H1S	OUAZ-SH-109L	LS1-009-5H1S
OUAZ-SH-112L	LS1-012-5H1S	OUAZ-SH-124L	LS1-024-5H1S
OUAZ-SS-103D	LS1-003-5L1D	OUAZ-SS-106D	LS1-006-5L1D
OUAZ-SS-109D	LS1-009-5L1D	OUAZ-SS-112D	LS1-012-5L1D
OUAZ-SS-124D	LS1-024-5L1D	OUAZ-SH-103D	LS1-003-5L1S
OUAZ-SH-106D	LS1-006-5L1S	OUAZ-SH-109D	LS1-009-5L1S
OUAZ-SH-112D	LS1-012-5L1S	OUAZ-SH-124D	LS1-024-5L1S

Greenwich Electronics, Inc.

RELAY CROSS REFERENCE

OEG	GEI	OEG	GEI
OUC	LS2	OUC	LS2
OUC-SS-103DM	LS2-003D-AL2D	OUC-SS-105DM	LS2-003D-AL2S
OUC-SS-106DM	LS2-006D-AL2D	OUC-SS-109DM	LS2-009D-AL2D
OUC-SS-112DM	LS2-012D-AL2D	OUC-SS-124DM	LS2-024D-AL2D
OUC-SS-103D	LS2-003D-CL2D	OUC-SS-105D	LS2-003D-CL2S
OUC-SS-106D	LS2-006D-CL2D	OUC-SS-109D	LS2-009D-CL2D
OUC-SS-112D	LS2-012D-CL2D	OUC-SS-124D	LS2-024D-CL2D
OUC-SH-103DM	LS2-003D-AL2S	OUC-SH-105DM	LS2-005D-AL2S
OUC-SH-106DM	LS2-006D-AL2S	OUC-SH-109DM	LS2-009D-AL2S
OUC-SH-112DM	LS2-012D-AL2S	OUC-SH-124DM	LS2-024D-AL2S
OUC-SH-103D	LS2-003D-CL2S	OUC-SH-105D	LS2-005D-CL2S
OUC-SH-106D	LS2-006D-CL2S	OUC-SH-109D	LS2-009D-CL2S
OUC-SH-112D	LS2-012D-CL2S	OUC-SH-124D	LS2-024D-CL2S

OEG	GEI	OEG	GEI
OUCT	LS2	OUCT	LS2
OUCT-SS-103DM	LS2-003D-A1D	OUCT-SS-105DM	LS2-005D-A1D
OUCT-SS-106DM	LS2-006D-A1D	OUCT-SS-109DM	LS2-009D-A1D
OUCT-SS-112DM	LS2-012D-A1D	OUCT-SS-124DM	LS2-024D-A1D
OUCT-SS-103D	LS2-003D-C1D	OUCT-SS-105D	LS2-005D-C1D
OUCT-SS-106D	LS2-006D-C1D	OUCT-SS-109D	LS2-009D-C1D
OUCT-SS-112D	LS2-012D-C1D	OUCT-SS-124D	LS2-024D-C1D
OUCT-SH-103DM	LS2-003D-A1S	OUCT-SH-105DM	LS2-005D-A1S
OUCT-SH-106DM	LS2-006D-A1S	OUCT-SH-109DM	LS2-009D-A1S
OUCT-SH-112DM	LS2-012D-A1S	OUCT-SH-124DM	LS2-024D-A1S
OUCT-SH-103D	LS2-003D-C1S	OUCT-SH-105D	LS2-003D-C5
OUCT-SH-106D	LS2-006D-C1	OUCT-SH-109D	LS2-009D-C1
OUCT-SH-112D	LS2-012D-C1	OUCT-SH-124D	LS2-024D-C1

OEG	GEI	OEG	GEI
OUD	GP2	OUD	GP2
OUD-SS-103DM	GP2-003-AH5D	OUD-SS-106DM	GP2-006-AH5D
OUD-SS-109DM	GP2-009-AH5D	OUD-SS-112DM	GP2-012-AH5D
OUD-SS-124DM	GP2-024-AH5D	OUD-SS-148DM	GP2-048-AH5D
OUD-SS-103D	GP2-003-CH5D	OUD-SS-106D	GP2-006-CH5D
OUD-SS-109D	GP2-009-CH5D	OUD-SS-112D	GP2-012-CH5D
OUD-SS-124D	GP2-024-CH5D	OUD-SS-148D	GP2-048-CH5D

Greenwich Electronics, Inc.

RELAY CROSS REFERENCE

OULD-SH-103DM
OULD-SH-109DM
OULD-SH-124DM
OULD-SH-103D
OULD-SH-109D
OULD-SH-124D

GP2-003-AH5S
GP2-009-AH5S
GP2-024-AH5S
GP2-003-CH5S
GP2-009-CH5S
GP2-024-CH5S

OULD-SH-106DM
OULD-SH-112DM
OULD-SH-148DM
OULD-SH-106D
OULD-SH-112D
OULD-SH-148D

GP2-003-AH56
GP2-012-AH5S
GP2-048-AH5S
GP2-006-CH5S
GP2-012-CH5S
GP2-048-CH5S

OEG

GEI

OEG

GEI

OULDH

GP2

OULDH

GP2

OULDH-SS-103DM
OULDH-SS-109DM
OULDH-SS-124DM
OULDH-SS-103D
OULDH-SS-109D
OULDH-SS-124D
OULDH-SH-103DM
OULDH-SH-109DM
OULDH-SH-124DM
OULDH-SH-103D
OULDH-SH-109D
OULDH-SH-124D

GP2-003-AH10D
GP2-009-AH10D
GP2-024-AH10D
GP2-003-CH10D
GP2-009-CH10D
GP2-024-CH10D
GP2-003-AH10S
GP2-009-AH10S
GP2-024-AH10S
GP2-003-CH10S
GP2-009-CH10S
GP2-003-CH124

OULDH-SS-106DM
OULDH-SS-112DM
OULDH-SS-148DM
OULDH-SS-106D
OULDH-SS-112D
OULDH-SS-148D
OULDH-SH-106DM
OULDH-SH-112DM
OULDH-SH-148DM
OULDH-SH-106D
OULDH-SH-112D
OULDH-SH-148D

GP2-006-AH10D
GP2-012-AH10D
GP2-048-AH10D
GP2-006-CH10D
GP2-012-CH10D
GP2-048-CH10D
GP2-006-AH10S
GP2-012-AH10S
GP2-048-AH10S
GP2-006-CH10S
GP2-012-CH10S
GP2-048-CH10S

OEG

GEI

OEG

GEI

OVR

CY

OVR

CY

OVR-SH-205L
OVR-SH-209L
OVR-SH-224L

CY-5V
CY-9V
CY-24V

OVR-SH-206L
OVR-SH-212L
OVR-SH-248L

CY-6V
CY-12V
CY-48V

OEG

GEI

OEG

GEI

OZ

CH

OZ

CH

OZ-SH-103L
OZ-SH-106L
OZ-SH-124L
OZ-SH-103LM
OZ-SH-106LM
OZ-SH-124LM

CH1-ED3S
CH1-ED6S
CH1-ED24S
CH11-ED3S
CH11-ED6S
CH11-ED24S

OZ-SH-105L
OZ-SH-112L
OZ-SH-148L
OZ-SH-105LM
OZ-SH-112LM
OZ-SH-148LM

CH1-ED5S
CH1-ED12S
CH1-ED48S
CH11-ED5S
CH11-ED12S
CH11-ED48S

Greenwich Electronics, Inc.

RELAY CROSS REFERENCE

OEG	GEI	OEG	GEI
SRE	LD5	SRE	LD5
SRE-101DP	LD5-006D-1CPC	SRE-102DP	LD5-012D-1CPC
SRE-103DP	LD5-024D-1CPC	SRE-104DP	LD5-048D-1CPC
SRE-106DP	LD5-100/110D-1CPC	SRE-101D	LD5-006D-1CPL
SRE-102D	LD5-012D-1CPL	SRE-103D	LD5-024D-1CPL
SRE-104D	LD5-048D-1CPL	SRE-106D	LD5-100/110D-1CPL
SRE-101DF	LD5-006D-1CTM	SRE-102DF	LD5-012D-1CTM
SRE-103DF	LD5-024D-1CTM	SRE-104DF	LD5-048D-1CTM
SRE-106DF	LD5-100/110D-1CTM	SRE-101AP	LD5-006A-1CPC
SRE-102AP	LD5-012A-1CPC	SRE-103AP	LD5-024A-1CPC
SRE-104AP	LD5-050A-1CPC	SRE-105AP	LD5-100/110A-1CPC
SRE-106AP	LD5-110/120A-1CPC	SRE-107AP	LD5-220/240A-1CPC
SRE-101A	LD5-006A-1CPL	SRE-102A	LD5-012A-1CPL
SRE-103A	LD5-024A-1CPL	SRE-104A	LD5-048A-1CPL
SRE-105A	LD5-100/110A-1CPL	SRE-106A	LD5-110/120A-1CPL
SRE-107A	LD5-220/240A-1CPL	SRE-101AF	LD5-006A-1CTM
SRE-102AF	LD5-012A-1CTM	SRE-104AF	LD5-048A-1CTM
SRE-105AF	LD5-100/110A-1CTM	SRE-106AF	LD5-110/120A-1CTM
SRE-107AF	LD5-220/240A-1CTM	SRE-201DP	LD5-006D-2CPC
SRE-202DP	LD5-012D-2CPC	SRE-203DP	LD5-024D-2CPC
SRE-204DP	LD5-048D-2CPC	SRE-206DP	LD5-100/110D-2CPC
SRE-201D	LD5-006D-2CPL	SRE-202D	LD5-012D-2CPL
SRE-203D	LD5-024D-2CPL	SRE-204D	LD5-048D-2CPL
SRE-206D	LD5-100/110D-2CPL	SRE-201DF	LD5-006D-2CTM
SRE-202DF	LD5-012D-2CTM	SRE-203DF	LD5-024D-2CTM
SRE-204DF	LD5-048D-2CTM	SRE-206DF	LD5-100/110D-2CTM
SRE-201AP	LD5-006A-2CPC	SRE-202AP	LD5-012A-2CPC
SRE-203AP	LD5-024A-2CPC	SRE-204AP	LD5-048A-2CPC
SRE-205AP	LD5-100/110A-2CPC	SRE-206AP	LD5-110/120A-2CPC
SRE-207AP	LD5-220/240A-2CPC	SRE-201A	LD5-006A-2CPL
SRE-202A	LD5-012A-2CPL	SRE-203A	LD5-024A-2CPL
SRE-204A	LD5-048A-2CPL	SRE-205A	LD5-100/110A-2CPL
SRE-206A	LD5-110/120A-2CPL	SRE-207A	LD5-220/240A-2CPL
SRE-201AF	LD5-006A-2CTM	SRE-202AF	LD5-012A-2CTM
SRE-203AF	LD5-024A-2CTM	SRE-204AF	LD5-048A-2CTM
SRE-205AF	LD5-100/110A-2CTM	SRE-207AF	LD5-220/240A-2CTM
SRE-401DP	LD5-006D-4CPC	SRE-402DP	LD5-012D-4CPC
SRE-403DP	LD5-024D-4CPC	SRE-404DP	LD5-048D-4CPC
SRE-406DP	LD5-100/110D-4CPC	SRE-401D	LD5-006D-4CPL
SRE-402D	LD5-012D-4CPL	SRE-403D	LD5-024D-4CPL
SRE-404D	LD5-048D-4CPL	SRE-406D	LD5-100/110D-4CPL
SRE-401DF	LD5-006D-4CTM	SRE-402DF	LD5-012D-4CTM
SRE-403DF	LD5-024D-4CTM	SRE-404DF	LD5-048D-4CTM
SRE-406DF	LD5-100/110D-4CTM	SRE-401AP	LD5-006A-4CPC
SRE-402AP	LD5-012A-4CPC	SRE-403AP	LD5-024A-4CPC
SRE-404AP	LD5-048A-4CPC	SRE-405AP	LD5-100/110A-4CPC

Greenwich Electronics, Inc.

RELAY CROSS REFERENCE

SRE-406AP	LD5-110/120A-4CPC	SRE-407AP	LD5-220/240A-4CPC
SRE-401A	LD5-006A-4CPL	SRE-402A	LD5-012A-4CPL
SRE-403A	LD5-024A-4CPL	SRE-404A	LD5-048A-4CPL
SRE-405A	LD5-100/110A-4CPL	SRE-406A	LD5-110/120A-4CPL
SRE-407A	LD5-220/240A-4CPL	SRE-401AF	LD5-006A-4CTM
SRE-402AF	LD5-012A-4CTM	SRE-403AF	LD5-024A-4CTM
SRE-404AF	LD5-048A-4CTM	SRE-405AF	LD5-100/110A-4CTM
SRE-406AF	LD5-110/120A-4CTM	SRE-407AF	LD5-220/240A-4CTM

OEG	GEI	OEG	GEI
SRET	GP8	SRET	GP8
SRET-101DP	GP8-006D-1CPC	SRET-102DP	GP8-012D-1CPC
SRET-103DP	GP8-024D-1CPC	SRET-104DP	GP8-048D-1CPC
SRET-105DP	GP8-100/110D-1CPC	SRET-101D	GP8-006D-1CPL
SRET-102D	GP812-1CPL	SRET-103D	GP8-024D-1CPL
SRET-104D	GP8-048D-1CPL	SRET-105D	GP8-100/110D-1CPL
SRET-101DF	GP8-006D-1CTM	SRET-102DF	GP8-012D-1CTM
SRET-103DF	GP8-024D-1CTM	SRET-104DF	GP8-048D-1CTM
SRET-105DF	GP8-100/110D-1CTM	SRET-101AP	GP8-006A-1CPC
SRET-102AP	GP8-012A-1CPC	SRET-103AP	GP8-024A-1CPC
SRET-104AP	GP8-048A-1CPC	SRET-105AP	GP8-100/110A-1CPC
SRET-106AP	GP8-110/120A-1CPC	SRET-107AP	GP8-220/240A-1CPC
SRET-101A	GP8-006A-1CPL	SRET-102A	GP8-012A-1CPL
SRET-103A	GP8-024A-1CPL	SRET-104A	GP8-048A-1CPL
SRET-105A	GP8-100/110A-1CPL	SRET-106A	GP8-110/120A-1CPL
SRET-107A	GP8-220/240A-1CPL	SRET-101AF	GP8-006A-1CTM
SRET-102AF	GP8-012A-1CTM	SRET-103AF	GP8-024A-1CTM
SRET-104AF	GP8-048A-1CTM	SRET-105AF	GP8-100/110A-1CTM
SRET-106AF	GP8-110/120A-1CTM	SRET-107AF	GP8-220/240A-1CTM
SRET-201DP	GP8-006D-2CPC	SRET-201DP	GP8-006D-2CPC
SRET-202DP	GP8-012D-2CPC	SRET-203DP	GP8-024D-2CPC
SRET-204DP	GP8-048D-2CPC	SRET-205DP	GP8-100/110D-2CPC
SRET-201D	GP8-006D-2CPL	SRET-202D	GP8-012D-2CPL
SRET-203D	GP8-024D-2CPL	SRET-204D	GP8-048D-2CPL
SRET-205D	GP8-100/110D-2CPL	SRET-201DF	GP8-006D-2CTM
SRET-202DF	GP8-012D-2CTM	SRET-203DF	GP8-024D-2CTM
SRET-204DF	GP8-048D-2CTM	SRET-205DF	GP8-100/110D-2CTM
SRET-201AP	GP8-006A-2CPC	SRET-202AP	GP8-012A-2CPC
SRET-203AP	GP8-024A-2CPC	SRET-204AP	GP8-048A-2CPC
SRET-205AP	GP8-100/110A-2CPC	SRET-206AP	GP8-110/120A-2CPC
SRET-207AP	GP8-220/240A-2CPC	SRET-201A	GP8-006A-2CPL
SRET-202A	GP8-012A-2CPL	SRET-203A	GP8-024A-2CPL
SRET-204A	GP8-048A-2CPL	SRET-206A	GP8-110/120A-2CPL
SRET-207A	GP8-220/240A-2CPL	SRET-201AF	GP8-006A-2CTM
SRET-202AF	GP8-012A-2CTM	SRET-203AF	GP8-024A-2CTM

Greenwich Electronics, Inc.

RELAY CROSS REFERENCE

SRET-204AF
SRET-206AF

GP8-048A-2CTM
GP8-110/120A-2CTM

SRET-205AF
SRET-207AF

GP8-100/110A-2CTM
GP8-220/240A-2CTM

OEG

GEI

SRU

GP1

SRU-SS-106DM
SRU-SH-109DM
SRU-SS-112DM
SRU-SS-124DM
SRU-SS-148DM
SRU-SS-106D
SRU-SH-109D
SRU-SS-112D
SRU-SS-124D
SRU-SH-148D

GP1-006-A5S
GP1-009-A5S
GP1-012-A5S
GP1-024-A5S
GP1-048-A5S
GP1-006-C5S
GP1-009-C5S
GP1-012-C5S
GP1-024-C5S
GP1-048-C5S

OEG

GEI

SRU

GP1

SRU-SH-106DM
SRU-SS-109DM
SRU-SH-112DM
SRU-SH-124DM
SRU-SH-148DM
SRU-SH-106D
SRU-SS-109D
SRU-SH-112D
SRU-SH-124D
SRU-SS-148D

GP1-006-A5S
GP1-009-A5S
GP1-012-A5S
GP1-024-A5S
GP1-048-A5S
GP1-006-C5S
GP1-009-C5S
GP1-012-C5S
GP1-024-C5S
GP1-048-C5S

OEG

GEI

SRUDH

GP1

SRUDH-SH-106DM
SRUDH-SS-109DM
SRUDH-SS-112DM
SRUDH-SS-124DM
SRUDH-SS-148DM
SRUDH-SS-106D
SRUDH-SS-109D
SRUDH-SH-112D
SRUDH-SS-124D
SRUDH-SS-148D

GP1-006-A10S
GP1-009-A10S
GP1-012-A10S
GP1-024-A10S
GP1-048-A10S
GP1-006-C10S
GP1-009-C10S
GP1-012-C10S
GP1-024-C10S
GP1-048-C10S

OEG

GEI

SRUDH

GP1

SRUDH-SS-106DM
SRUDH-SH-109DM
SRUDH-SH-112DM
SRUDH-SH-124DM
SRUDH-SH-148DM
SRUDH-SH-106D
SRUDH-SH-109D
SRUDH-SS-112D
SRUDH-SH-124D
SRUDH-SH-148D

GP1-006-A10S
GP1-009-A10S
GP1-012-A10S
GP1-024-A10S
GP1-048-A10S
GP1-006-C10S
GP1-009-C10S
GP1-012-C10S
GP1-024-C10S
GP1-048-C10S

OEG

GEI

SRUUH

GP1

SRUUH-SS-106DM
SRUUH-SS-109DM
SRUUH-SH-112DM
SRUUH-SH-124DM
SRUUH-SH-148DM

GP1-006-A12S
GP1-009-A12S
GP1-012-A12S
GP1-024-A12S
GP1-048-A12S

OEG

GEI

SRUUH

GP1

SRUUH-SH-106DM
SRUUH-SH-109DM
SRUUH-SS-112DM
SRUUH-SS-124DM
SRUUH-SS-148DM

GP1-006-A12S
GP1-009-A12S
GP1-012-A12S
GP1-024-A12S
GP1-048-A12S

Greenwich Electronics, Inc.

RELAY CROSS REFERENCE

SRUUh-SS-106D
SRUUh-SH-109D
SRUUh-SS-112D
SRUUh-SH-124D
SRUUh-SH-148D

GP1-006-C12S
GP1-009-C12S
GP1-012-C12S
GP1-024-C12S
GP1-048-C12S

SRUUh-SH-106D
SRUUh-SS-109D
SRUUh-SH-112D
SRUUh-SS-124D
SRUUh-SS-148D

GP1-006-C12S
GP1-009-C12S
GP1-012-C12S
GP1-024-C12S
GP1-048-C12S

OEG

GEI

OEG

GEI

SRZ

LD1

SRZ

LD1

SRZ-SH-203D
SRZ-SH-209D
SRZ-SH-224D

LD1-003-3S
LD1-009-3S
LD1-024-3S

SRZ-SH-206D
SRZ-SH-212D

LD1-006-3S
LD1-012-3S

OEG

GEI

OEG

GEI

TSC

LS4

TSC

LS4

TSC-103D3
TSC-106D3
TSC-112D3
TSC-103L3
TSC-106L3
TSC-112L3
TSC-103D3H
TSC-106D3H
TSC-112D3H
TSC-103L3H
TSC-106L3H
TSC-112L3H
TSC-103D3M
TSC-106D3M
TSC-112D3M
TSC-103L3M
TSC-106L3M
TSC-112L3M
TSC-103D3MH
TSC-106D3MH
TSC-112D3MH
TSC-103L3MH
TSC-106L3MH
TSC-112L3MH

LS4-003-CD
LS4-006-CD
LS4-012-CD
LS4-003-CHD
LS4-006-CHD
LS4-012-CHD
LS4-003-CS
LS4-006-CS
LS4-012-CS
LS4-003-CHS
LS4-006-CHS
LS4-012-CHS
LS4-003-AD
LS4-006-AD
LS4-012-AD
LS4-003-AHD
LS4-006-AHD
LS4-012-AHD
LS4-003-AS
LS4-006-AS
LS4-012-AS
LS4-003-AHS
LS4-006-AHS
LS4-012-AHS

TSC-105D3
TSC-109D3
TSC-124D3
TSC-105L3
TSC-109L3
TSC-124L3
TSC-105D3H
TSC-109D3H
TSC-124D3H
TSC-105L3H
TSC-109L3H
TSC-124L3H
TSC-105D3M
TSC-109D3M
TSC-124D3M
TSC-105L3M
TSC-109L3M
TSC-124L3M
TSC-105D3MH
TSC-109D3MH
TSC-124D3MH
TSC-105L3MH
TSC-109L3MH
TSC-124L3MH

LS4-005-CD
LS4-009-CD
LS4-024-CD
LS4-005-CHD
LS4-009-CHD
LS4-024-CHD
LS4-005-CS
LS4-009-CS
LS4-024-CS
LS4-005-CHS
LS4-009-CHS
LS4-024-CHS
LS4-005-AD
LS4-009-AD
LS4-024-AD
LS4-005-AHD
LS4-009-AHD
LS4-024-AHD
LS4-005-AS
LS4-009-AS
LS4-024-AS
LS4-005-AHS
LS4-009-AHS
LS4-024-AHS

Greenwich Electronics, Inc.

RELAY CROSS REFERENCE

OEG	GEI	OEG	GEI
V23105	LS3	V23105	LS3
V23105-A5-301	LS3-005-S	V23105-A5-302	LS3-006-S
V23105-A5-306	LS3-009-S	V23105-A5-303	LS3-012-S
V23105-A5-305	LS3-024-S	V23105-A5-307	LS3-048-S
V23105-A5-001	LS3-005-HS	V23105-A5-002	LS3-006-HS
V23105-A5-006	LS3-009-HS	V23105-A5-003	LS3-012-HS
V23105-A5-005	LS3-024-HS		

OMRON	GEI	OMRON	GEI
G2E	LS1	G2E	LS1
G2E-184P-H-M-US3VDC	LS1-003-6H1S	G2E-184P-H-M-US5VDC	LS1-005-6H1S
G2E-184P-H-M-US6VDC	LS1-006-6H1S	G2E-184P-H-M-US9VDC	LS1-009-6H1S
G2E-184P-H-M-US12VDC	LS1-012-6H1S	G2E-184P-H-M-US24VDC	LS1-024-6H1S
G2E-184P-M-US3VDC	LS1-003-6L1S	G2E-184P-M-US5VDC	LS1-005-6L1S
G2E-184P-M-US6VDC	LS1-006-6L1S	G2E-184P-M-US9VDC	LS1-009-6L1S
G2E-184P-M-US12VDC	LS1-012-6L1S	G2E-184P-M-US24VDC	LS1-024-6L1S

OMRON	GEI	OMRON	GEI
G2R	CH	G2R	CH
G2R-1-E-DC3	CH1-ED3F	G2R-1-E-DC5	CH1-ED5F
G2R-1-E-DC12	CH1-ED12F	G2R-1-E-DC24	CH1-ED24F
G2R-1-E-DC48	CH1-ED48F	G2R-1-E-DC6	CH1-ED100F
G2R-1A-E-DC3	CH11-ED3F	G2R-1A-E-DC5	CH11-ED5F
G2R-1A-E-DC6	CH11-ED6F	G2R-1A-E-DC12	CH11-ED12F
G2R-1A-E-DC24	CH11-ED24F	G2R-1A-E-DC48	CH11-ED48F
G2R-2-DC3	CH2-MD3F	G2R-2-DC5	CH2-MD5F
G2R-2-DC6	CH2-MD6F	G2R-2-DC12	CH2-MD12F
G2R-2-DC24	CH2-MD24F	G2R-2-DC48	CH2-MD48F
G2R-2A-DC3	CH22-MD3F	G2R-2A-DC5	CH22-MD5F
G2R-2A-DC6	CH22-MD6F	G2R-2A-DC12	CH22-MD12F
G2R-2A-DC24	CH22-MD24F	G2R-2A-DC48	CH22-MD48F
G2R-14-DC3	CH1-HD3S	G2R-14-DC5	CH1-HD5S
G2R-14-DC6	CH1-HD6S	G2R-14-DC12	CH1-HD12S
G2R-14-DC24	CH1-HD24S	G2R-14-DC48	CH1-HD48S
G2R-1A4-DC3	CH11-HD3S	G2R-1A4-DC5	CH11-HD5S
G2R-1A4-DC6	CH11-HD6S	G2R-1A4-DC12	CH11-HD24S
G2R-1A4-DC24	CH11-HD48S	G2R-1A4-DC48	CH11-HD100S

Greenwich Electronics, Inc.

RELAY CROSS REFERENCE

G2R-24-DC3
G2R-24-DC6
G2R-24-DC24
G2R-2A4-DC3
G2R-2A4-DC6
G2R-2A4-DC24

CH2-MD3S
CH2-MD6S
CH2-MD24S
CH22-MD3S
CH22-MD6S
CH22-MD24S

G2R-24-DC5
G2R-24-DC12
G2R-24-DC48
G2R-2A4-DC5
G2R-2A4-DC12
G2R-2A4-DC48

CH2-MD5S
CH2-MD12S
CH2-MD48S
CH22-MD5S
CH22-MD12S
CH22-MD48S

OMRON

GEI

OMRON

GEI

G2R

KH

G2R

KH

G2R-1-DC3
G2R-1-DC5
G2R-1-DC6
G2R-1-DC9
G2R-1-DC12
G2R-14-DC24
G2R-1-DC48
G2R-1A-DC3
G2R-1A-DC5
G2R-1A4-DC6
G2R-1A-DC12
G2R-1A-DC24
G2R-1A-DC48

KH1-H3SH
KH1-H5SH
KH1-H6SH
KH1-H9SH
KH1-H12SH
KH1-H24SH
KH1-H48SH
KH11-H3SH
KH11-H5SH
KH11-H6SH
KH11-H12SH
KH11-H24SH
KH11-H48SH

G2R-14-DC3
G2R-14-DC5
G2R-14-DC6
G2R-14-DC9
G2R-14-DC12
G2R-1-DC24
G2R-14-DC48
G2R-1A4-DC3
G2R-1A4-DC5
G2R-1A-DC6
G2R-1A4-DC12
G2R-1A4-DC24
G2R-1A4-DC48

KH1-H3SH
KH1-H5SH
KH1-H6SH
KH1-H9SH
KH1-H12SH
KH1-H24SH
KH1-H48SH
KH11-H3SH
KH11-H5SH
KH11-H6SH
KH11-H12SH
KH11-H24SH
KH11-H48SH

OMRON

GEI

OMRON

GEI

G4A

HD4

G4A

HD4

G4A-1A-P-E-DC12V
G4A-1A-E-DC12V

HD4-012-APC
HD4-012-APQ

G4A-1A-P-E-DC24V
G4A-1A-E-DC24V

HD4-024-APC
HD4-024-APQ

OMRON

GEI

OMRON

GEI

G4B

CHP

G4B

CHP

G4B-11T1-US-AC120

CHP11-A115S

G4B-11T1-US-AC240

CHP11-A240S

Greenwich Electronics, Inc.

RELAY CROSS REFERENCE

OMRON	GEI	OMRON	GEI
G5C	CQ	G5C	CQ
G5C-1-DC5V	CQ11-HD5S	G5C-14-DC5V	CQ11-HD5S
G5C-1-DC6V	CQ11-HD6S	G5C-14-DC6V	CQ11-HD6S
G5C-1-DC12V	CQ11-HD12S	G5C-14-DC12V	CQ11-HD12S
G5C-14-DC24V	CQ11-HD24S	G5C-1-DC24V	CQ11-HD24S
G5C-1-DC48V	CQ11-HD48S	G5C-14-DC48V	CQ11-HD48S
OMRON	GEI	OMRON	GEI
G5CE	CQ	G5CE	CQ
G5CE-14-DC5V	CQ11-ED5S	G5CE-1-DC5V	CQ11-ED5S
G5CE-14-DC6V	CQ11-ED6S	G5CE-1-DC6V	CQ11-ED6S
G5CE-1-DC12V	CQ11-ED12S	G5CE-14-DC12V	CQ11-ED12S
G5CE-1-DC24V	CQ11-ED24S	G5CE-14-DC24V	CQ11-ED24S
G5CE-1-DC48V	CQ11-ED48S	G5CE-14-DC48V	CQ11-ED48S
OMRON	GEI	OMRON	GEI
G5LE	GP1	G5LE	GP1
G5LE-14-ACD-DC5	GP1-005-C10S	G5LE-1-ACD-DC5	GP1-005-C10S
G5LE-14-ACD-DC6	GP1-006-C10S	G5LE-1-ACD-DC6	GP1-006-C10S
G5LE-1-ACD-DC9	GP1-009-C10S	G5LE-14-ACD-DC9	GP1-009-C10S
G5LE-1-ACD-DC12	GP1-012-C10S	G5LE-14-ACD-DC12	GP1-012-C10S
G5LE-14-ACD-DC24	GP1-024-C10S	G5LE-1-ACD-DC24	GP1-024-C10S
G5LE-14-ACD-DC48	GP1-048-C10S	G5LE-1-ACD-DC48	GP1-048-C10S
G5LE-1A-ACD-DC5	GP1-005-A12S	G5LE-1A4-ACD-DC5	GP1-005-A12S
G5LE-1A-ACD-DC6	GP1-006-A12S	G5LE-1A4-ACD-DC6	GP1-006-A12S
G5LE-1A-ACD-DC9	GP1-009-A12S	G5LE-1A4-ACD-DC9	GP1-009-A12S
G5LE-1A-ACD-DC12	GP1-012-A12S	G5LE-1A4-ACD-DC12	GP1-012-A12S
G5LE-1A-ACD-DC24	GP1-024-A12S	G5LE-1A4-ACD-DC24	GP1-024-A12S
G5LE-1A-ACD-DC48	GP1-048-A12S	G5LE-1A4-ACD-DC48	GP1-048-A12S

Greenwich Electronics, Inc.

RELAY CROSS REFERENCE

OMRON	GEI	OMRON	GEI
G5V-1	LS4	G5V-1	LS4
G5V-1-DC3	LS4-003-CHS	G5V-1-DC5	LS4-005-CHS
G5V-1-DC6	LS4-006-CHS	G5V-1-DC9	LS4-009-CHS
G5V-1-DC12	LS4-012-CHS	G5V-1-DC24	LS4-024-CHS
OMRON	GEI	OMRON	GEI
G5V-2	CY	G5V-2	CY
G5V-2-H1-12VDC	CY-24V	G5V-2-H1-48VDC	CY-48V
G5V-2-H1-5VDC	CY-5VH	G5V-2-H1-6VDC	CY-6VH
G5V-2-H1-9VDC	CY-9VH	G5V-2-H1-24VDC	CY-24VH
OMRON	GEI	OMRON	GEI
G6A	LS3	G6A	LS3
G6A-274P-ST-US-DC5	LS3-005-S	G6A-274P-ST-US-DC6	LS3-006-S
G6A-274P-ST-US-DC9	LS3-009-S	G6A-274P-ST-US-DC12	LS3-012-S
G6A-274P-ST-US-DC24	LS3-024-S	G6A-274P-ST-US-DC48	LS3-048-S
G6AU-274P-ST-US-DC5	LS3-005-1LS	G6AU-274P-ST-US-DC6	LS3-006-1LS
G6AU-274P-ST-US-DC9	LS3-009-1LS	G6AU-274P-ST-US-DC12	LS3-012-1LS
G6AU-274P-ST-US-DC24	LS3-024-1LS	G6A-274P-ST15-US-DC5	LS3-005-HS
G6A-274P-ST15-US-DC6	LS3-006-HS	G6A-274P-ST15-US-DC9	LS3-009-HS
G6A-274P-ST15-US-DC12	LS3-012-HS	G6A-234P-ST15-US-DC24	LS3-024-HS
G6AK-274P-ST-US-DC5	LS3-005-H2LS	G6AK-274P-ST-US-DC6	LS3-006-H2LS
G6AK-274P-ST-US-DC9	LS3-009-H2LS	G6AK-274P-ST-US-DC12	LS3-012-H2LS
G6AK-274P-ST-US-DC24	LS3-024-H2LS		
OMRON	GEI	OMRON	GEI
G6RN	GP3	G6RN	GP3
G6RN-1A-5VDC	GP3-005-ASG	G6RN-1A-6VDC	GP3-006-ASG
G6RN-1A-12VDC	GP3-012-ASG	G6RN-1A-24VDC	GP3-024-ASG
G6RN-1A-48VDC	GP3-048-ASG	G6RN-1-5VDC	GP3-005-CSG
G6RN-1-6VDC	GP3-006-CSG	G6RN-1-12VDC	GP3-012-CSG
G6RN-1-24VDC	GP3-024-CSG	G6RN-1-48VDC	GP3-048-CSG

Greenwich Electronics, Inc.

RELAY CROSS REFERENCE

G8P-1C4P-DC12
G8P-1C4P-DC48

HD1-012D-C30PCSN
HD1-048D-C30PCSN

G8P-1C4P-DC24
G8P-1C4P-DC110

HD1-024D-C30PCSN
HD1-112D-C30PCSN

OMRON

GEI

OMRON

GEI

LY1

GP8

LY1

GP8

LY1-0-DC6
LY1-0-DC24
LY1-0-DC110
LY1-DC12
LY1-DC48
LY1F-DC6
LY1F-DC24
LY1F-DC110
LY1-0-AC12
LY1-0-AC50
LY1-0-AC110/120
LY1-AC6
LY1-AC24
LY1-AC100/110
LY1-AC220/240
LY1F-AC12
LY1F-AC50
LY1F-AC110/120

GP8-006D-1CPC
GP8-024D-1CPC
GP8-100/110D-1CPC
GP812-1CPL
GP8-048D-1CPL
GP8-006D-1CTM
GP8-024D-1CTM
GP8-100/110D-1CTM
GP8-012A-1CPC
GP8-048A-1CPC
GP8-110/120A-1CPC
GP8-006A-1CPL
GP8-024A-1CPL
GP8-100/110A-1CPL
GP8-220/240A-1CPL
GP8-012A-1CTM
GP8-048A-1CTM
GP8-110/120A-1CTM

LY1-0-DC12
LY1-0-DC48
LY1-DC6
LY1-DC24
LY1-DC110
LY1F-DC12
LY1F-DC48
LY1-0-AC6
LY1-0-AC24
LY1-0-AC100/110
LY1-0-AC220/240
LY1-AC12
LY1-AC50
LY1-AC110/120
LY1F-AC6
LY1F-AC24
LY1F-AC100/110
LY1F-AC220/240

GP8-012D-1CPC
GP8-048D-1CPC
GP8-006D-1CPL
GP8-024D-1CPL
GP8-100/110D-1CPL
GP8-012D-1CTM
GP8-048D-1CTM
GP8-006A-1CPC
GP8-024A-1CPC
GP8-100/110A-1CPC
GP8-220/240A-1CPC
GP8-012A-1CPL
GP8-048A-1CPL
GP8-110/120A-1CPL
GP8-006A-1CTM
GP8-024A-1CTM
GP8-100/110A-1CTM
GP8-220/240A-1CTM

OMRON

GEI

OMRON

GEI

LY2

GP8

LY2

GP8

LY2-0-DC6
LY2-0-DC24
LY2-0-DC110
LY2-DC12
LY2-DC48
LY2F-DC6
LY2F-DC24
LY2F-DC110
LY2-0-AC12
LY2-0-AC50
LY2-0-AC110/120
LY2-AC6
LY2-AC24
LY2-AC100/110

GP8-006D-2CPC
GP8-024D-2CPC
GP8-100/110D-2CPC
GP8-012D-2CPL
GP8-048D-2CPL
GP8-006D-2CTM
GP8-024D-2CTM
GP8-100/110D-2CTM
GP8-012A-2CPC
GP8-048A-2CPC
GP8-110/120A-2CPC
GP8-006A-2CPL
GP8-024A-2CPL
GP8-100/110A-2CPL

LY2-0-DC12
LY2-0-DC48
LY2-DC6
LY2-DC24
LY2-DC110
LY2F-DC12
LY2F-DC48
LY2-0-AC6
LY2-0-AC24
LY2-0-AC100/110
LY2-0-AC220/240
LY2-AC12
LY2-AC50
LY2-AC110/120

GP8-012D-2CPC
GP8-048D-2CPC
GP8-006D-2CPL
GP8-024D-2CPL
GP8-100/110D-2CPL
GP8-012D-2CTM
GP8-048D-2CTM
GP8-006A-2CPC
GP8-024A-2CPC
GP8-100/110A-2CPC
GP8-220/240A-2CPC
GP8-012A-2CPL
GP8-048A-2CPL
GP8-110/120A-2CPL

Greenwich Electronics, Inc.

RELAY CROSS REFERENCE

LY2-AC220/240
LY2F-AC12
LY2F-AC50
LY2F-AC110/120

GP8-220/240A-2CPL
GP8-012A-2CTM
GP8-048A-2CTM
GP8-110/120A-2CTM

LY2F-AC6
LY2F-AC24
LY2F-AC100/110
LY2F-AC220/240

GP8-006A-2CTM
GP8-024A-2CTM
GP8-100/110A-2CTM
GP8-220/240A-2CTM

OMRON

GEI

OMRON

GEI

MK

GP4

MK

GP4

MK2P-1-DC6
MK2P-1-DC24
MK2P-1-AC6
MK2P-1-AC24
MK2P-1-AC220
MK3P5-1-DC12
MK3P5-1-DC48
MK3P5-1-AC12
MK3P5-1-AC110

GP4-006D-2C2
GP4-024D-2C2
GP4-006A-2C2
GP4-024A-2C2
GP4-220A-2C2
GP4-012D-3C2
GP4-048D-3C2
GP4-012A-3C2
GP4-110A-3C2

MK2P-1-DC12
MK2P-1-DC48
MK2P-1-AC12
MK2P-1-AC110
MK3P5-1-DC6
MK3P5-1-DC24
MK3P5-1-AC6
MK3P5-1-AC24
MK3P5-1-AC220

GP4-012D-2C2
GP4-048D-2C2
GP4-012A-2C2
GP4-110A-2C2
GP4-006D-3C2
GP4-024D-3C2
GP4-006A-3C2
GP4-024A-3C2
GP4-220A-3C2

OMRON

GEI

OMRON

GEI

MY3

LD5

MY3

LD5

MY3-02-DC6
MY3-02-DC24
MY3-02-DC100/110
MY3-DC12
MY3-DC48
MY3-02-AC6
MY3-02-AC24
MY3-02-AC110/120
MY3-AC6
MY3-AC24
MY3-AC110/120

LD5-006D-3CPC
LD5-024D-3CPC
LD5-100/110D-3CPC
LD5-012D-3CPL
LD5-048D-3CPL
LD5-006A-3CPC
LD5-024A-3CPC
LD5-110/120A-3CPC
LD5-006A-3CPL
LD5-024A-3CPL
LD5-110/120A-3CPL

MY3-02-DC12
MY3-02-DC48
MY3-DC6
MY3-DC24
MY3-DC100/110
MY3-02-AC12
MY3-02-AC48
MY3-02-AC220/240
MY3-AC12
MY3-AC48
MY3-AC220/240

LD5-012D-3CPC
LD5-048D-3CPC
LD5-006D-3CPL
LD5-024D-3CPL
LD5-100/110D-3CPL
LD5-012A-3CPC
LD5-048A-3CPC
LD5-220/240A-3CPC
LD5-012A-3CPL
LD5-048A-3CPL
LD5-220/240A-3CPL

Greenwich Electronics, Inc.

RELAY CROSS REFERENCE

OMRON	GEI	OMRON	GEI
MY4	LD5	MY4	LD5
MY4-02-DC6	LD5-006D-4CPC	MY4-02-DC12	LD5-012D-4CPC
MY4-02-DC24	LD5-024D-4CPC	MY4-02-DC48	LD5-048D-4CPC
MY4-02-DC110	LD5-100/110D-4CPC	MY4-DC6	LD5-006D-4CPL
MY4-DC12	LD5-012D-4CPL	MY4-DC24	LD5-024D-4CPL
MY4-DC48	LD5-048D-4CPL	MY4-DC100/110	LD5-100/110D-4CPL
MY4-02-AC6	LD5-006A-4CPC	MY4-02-AC12	LD5-012A-4CPC
MY4-02-AC24	LD5-024A-4CPC	MY4-02-AC48	LD5-048A-4CPC
MY4-02-AC110/120	LD5-110/120A-4CPC	MY4-02-AC220/240	LD5-220/240A-4CPC
MY4-AC6	LD5-006A-4CPL	MY4-AC12	LD5-012A-4CPL
MY4-AC24	LD5-024A-4CPL	MY4-AC48	LD5-048A-4CPL
MY4-AC110/120	LD5-110/120A-4CPL	MY4-AC220/240	LD5-220/240A-4CPL
POTTER & BRUMFIELD	GEI	POTTER & BRUMFIELD	GEI
K10	GP8	K10	GP8
K10P-11D5-12	GP8-012D-1CPC	K10P-11D5-24	GP8-024D-1CPC
K10P-11D5-48	GP8-048D-1CPC	K10P-11D5-110	GP8-100/110D-1CPC
K10P-11D5-6	GP8-006D-2CPC	K10P-11D1-6	GP8-006D-2CPL
K10P-11D1-12	GP8-012D-2CPL	K10P-11D1-24	GP8-024D-2CPL
K10P-11D1-48	GP8-048D-2CPL	K10P-11D1-110	GP8-100/110D-2CPL
K10P-11DT-6	GP8-006D-2CTM	K10P-11DT-12	GP8-012D-2CTM
K10P-11DT-24	GP8-024D-2CTM	K10P-11DT-48	GP8-048D-2CTM
K10P-11DT-110	GP8-100/110D-2CTM	K10P-11A5-6	GP8-006A-2CPC
K10P-11A5-12	GP8-012A-2CPC	K10P-11A5-24	GP8-024A-2CPC
K10P-11A5-48	GP8-048A-2CPC	K10P-11A5-120	GP8-110/120A-2CPC
K10P-11A5-240	GP8-220/240A-2CPC	K10P-11A1-6	GP8-006A-2CPL
K10P-11A1-12	GP8-012A-2CPL	K10P-11A1-24	GP8-024A-2CPL
K10P-11A1-48	GP8-048A-2CPL	K10P-11A1-120	GP8-110/120A-2CPL
K10P-11A1-240	GP8-220/240A-2CPL	K10P-11AT-6	GP8-006A-2CTM
K10P-11AT-12	GP8-012A-2CTM	K10P-11AT-24	GP8-024A-2CTM
K10P-11AT-48	GP8-048A-2CTM	K10P-11AT-120	GP8-110/120A-2CTM
K10P-11AT-240	GP8-220/240A-2CTM		

Greenwich Electronics, Inc.

RELAY CROSS REFERENCE

POTTER & BRUMFIELD GEI

KHA

LD5

KHAE-11D12-6	LD5-006D-2CPC
KHAE-11D12-24	LD5-024D-2CPC
KHAE-11D12-110	LD5-100/110D-2CPC
KHAU-11D12-12	LD5-012D-2CPL
KHAU-11D12-48	LD5-048D-2CPL
KHAE-11A12-6	LD5-006A-2CPC
KHAE-11A12-24	LD5-024A-2CPC
KHAE-11A12-120	LD5-110/120A-2CPC
KHAU-11A12-6	LD5-006A-2CPL
KHAU-11A12-24	LD5-024A-2CPL
KHAU-11A12-120	LD5-110/120A-2CPL
KHAE-17D12-6	LD5-006D-4CPC
KHAE-17D12-24	LD5-024D-4CPC
KHAE-17D12-110	LD5-100/110D-4CPC
KHAU-17D12-12	LD5-012D-4CPL
KHAU-17D12-48	LD5-048D-4CPL
KHAE-17A12-6	LD5-006A-4CPC
KHAE-17A12-24	LD5-024A-4CPC
KHAE-17A12-120	LD5-110/120A-4CPC
KHAU-17A12-6	LD5-006A-4CPL
KHAU-17A12-24	LD5-024A-4CPL
KHAU-17A12-120	LD5-110/120A-4CPL

POTTER & BRUMFIELD GEI

KHA

LD5

KHAE-11D12-12	LD5-012D-2CPC
KHAE-11D12-48	LD5-048D-2CPC
KHAU-11D12-6	LD5-006D-2CPL
KHAU-11D12-24	LD5-024D-2CPL
KHAU-11D12-110	LD5-100/110D-2CPL
KHAE-11A12-12	LD5-012A-2CPC
KHAE-11A12-48	LD5-048A-2CPC
KHAE-11A12-240	LD5-220/240A-2CPC
KHAU-11A12-12	LD5-012A-2CPL
KHAU-11A12-48	LD5-048A-2CPL
KHAU-11A12-240	LD5-220/240A-2CPL
KHAE-17D12-12	LD5-012D-4CPC
KHAE-17D12-48	LD5-048D-4CPC
KHAU-17D12-6	LD5-006D-4CPL
KHAU-17D12-24	LD5-024D-4CPL
KHAU-17D12-110	LD5-100/110D-4CPL
KHAE-17A12-12	LD5-012A-4CPC
KHAE-17A12-48	LD5-100/110D-2CPL
KHAE-17A12-240	LD5-220/240A-4CPC
KHAU-17A12-12	LD5-012A-4CPL
KHAU-17A12-48	LD5-048A-4CPL
KHAU-17A12-240	LD5-220/240A-4CPL

POTTER & BRUMFIELD GEI

KRPA

GP4

KRPA-11DG-6	GP4-006D-2C2
KRPA-11DG-24	GP4-024D-2C2
KRPA-11AG-6	GP4-006A-2C2
KRPA-11AG-24	GP4-024A-2C2
KRPA-11AG-240	GP4-220A-2C2
KRPA-14DG-12	GP4-012D-3C2
KRPA-14DG-48	GP4-048D-3C2
KRPA-14AG-12	GP4-012A-3C2
KRPA-14AG-120	GP4-110A-3C2

POTTER & BRUMFIELD GEI

KRPA

GP4

KRPA-11DG-12	GP4-012D-2C2
KRPA-11DG-48	GP4-048D-2C2
KRPA-11AG-12	GP4-012A-2C2
KRPA-11AG-120	GP4-110A-2C2
KRPA-14DG-6	GP4-006D-3C2
KRPA-14DG-24	GP4-024D-3C2
KRPA-14AG-6	GP4-006A-3C2
KRPA-14AG-24	GP4-024A-3C2
KRPA-14AG-240	GP4-220A-3C2

Greenwich Electronics, Inc.

RELAY CROSS REFERENCE

POTTER & BRUMFIELD GEI

RKA

CH

RKA-5DG-03	CH1-HD3S
RKA-5DG-06	CH1-HD6S
RKA-5DG-24	CH1-HD24S
RKA-1DG-03	CH11-HD3S
RKA-1DG-06	CH11-HD6S
RKA-1DG-24	CH11-HD48S
RKA-11DZ-03	CH2-MD3S
RKA-11DZ-06	CH2-MD6S
RKA-11DZ-24	CH2-MD24S
RKA-7DZ-03	CH22-MD3S
RKA-7DZ-06	CH22-MD6S
RKA-7DZ-24	CH22-MD24S

POTTER & BRUMFIELD GEI

RKA

CH

RKA-5DG-05	CH1-HD5S
RKA-5DG-12	CH1-HD12S
RKA-5DG-48	CH1-HD48S
RKA-1DG-05	CH11-HD5S
RKA-1DG-12	CH11-HD24S
RKA-1DG-48	CH11-HD100S
RKA-11DZ-05	CH2-MD5S
RKA-11DZ-12	CH2-MD12S
RKA-11DZ-48	CH2-MD48S
RKA-7DZ-05	CH22-MD5S
RKA-7DZ-12	CH22-MD12S
RKA-7DZ-48	CH22-MD48S

POTTER & BRUMFIELD GEI

RKA

KH

RKA-5DG-03	KH1-H3SH
RKA-5DG-06	KH1-H6SH
RKA-5DG-12	KH1-H12SH
RKA-5DG-48	KH1-H48SH
RKA-1DG-05	KH11-H5SH
RKA-1DG-09	KH11-H9SH
RKA-1DG-24	KH11-H24SH

POTTER & BRUMFIELD GEI

RKA

KH

RKA-5DG-05	KH1-H5SH
RKA-5DG-09	KH1-H9SH
RKA-5DG-24	KH1-H24SH
RKA-1DG-03	KH11-H3SH
RKA-1DG-06	KH11-H6SH
RKA-1DG-12	KH11-H12SH
RKA-1DG-48	KH11-H48SH

POTTER & BRUMFIELD GEI

RKS

CH

RKS-5DW-03	CH1-ED3S
RKS-5DW-06	CH1-ED6S
RKS-5DW-24	CH1-ED24S
RKS-5DG-03	CH1-HD3S
RKS-5DG-06	CH1-HD6S
RKS-5DG-24	CH1-HD24S
RKS-1DW-03	CH11-ED3S
RKS-1DW-06	CH11-ED6S
RKS-1DW-24	CH11-ED24S
RKS-1DG-03	CH11-HD3S
RKS-1DG-06	CH11-HD6S
RKS-1DG-24	CH11-HD24S

POTTER & BRUMFIELD GEI

RKS

CH

RKS-5DW-05	CH1-ED5S
RKS-5DW-12	CH1-ED12S
RKS-5DW-48	CH1-ED48S
RKS-5DG-05	CH1-HD5S
RKS-5DG-12	CH1-HD12S
RKS-5DG-48	CH1-HD48S
RKS-1DW-05	CH11-ED5S
RKS-1DW-12	CH11-ED12S
RKS-1DW-48	CH11-ED48S
RKS-1DG-05	CH11-HD5S
RKS-1DG-12	CH11-HD12S
RKS-1DG-48	CH11-HD100S

Greenwich Electronics, Inc.

RELAY CROSS REFERENCE

POTTER & BRUMFIELD GEI

RKS

KH

RKS-5DG-03	KH1-H3SH
RKS-5DG-06	KH1-H6SH
RKS-5DG-12	KH1-H12SH
RKS-5DG-48	KH1-H48SH
RKS-1DG-05	KH11-H5SH
RKS-1DG-09	KH11-H9SH
RKS-1DG-24	KH11-H24SH

POTTER & BRUMFIELD GEI

RKS

KH

RKS-5DG-05	KH1-H5SH
RKS-5DG-09	KH1-H9SH
RKS-5DG-24	KH1-H24SH
RKS-1DG-03	KH11-H3SH
RKS-1DG-06	KH11-H6SH
RKS-1DG-12	KH11-H12SH
RKS-1DG-48	KH11-H48SH

POTTER & BRUMFIELD GEI

T72

GP1

T72L5D164-03	GP1-005-C10S
T72L5D164-09	GP1-009-C10S
T72L5D164-24	GP1-024-C10S

POTTER & BRUMFIELD GEI

T72

GP1

T72L5D164-05	GP1-006-C10S
T72L5D164-12	GP1-012-C10S
T72L5D164-48	GP1-048-C10S

POTTER & BRUMFIELD GEI

T72J

GP1

T72J-1D121-06	GP1-006-A10S
T72J-1D121-24	GP1-024-A10S
T72J-5D121-12	GP1-012-C10S

POTTER & BRUMFIELD GEI

T72J

GP1

T72J-1D121-12	GP1-012-A10S
T72J-5D121-06	GP1-006-C10S
T72J-5D121-24	GP1-024-C10S

POTTER & BRUMFIELD GEI

T72K

AR7

T72K-1D121-06	AR7-006-AQ6S
T72K-1D121-24	AR7-024-AQ6S
T72K-5D121-12	AR7-012-CQ6S

POTTER & BRUMFIELD GEI

T72K

AR7

T72K-1D121-12	AR7-012-AQ6S
T72K-5D121-06	AR7-006-CQ6S
T72K-5D121-24	AR7-024-CQ6S

Greenwich Electronics, Inc.

RELAY CROSS REFERENCE

POTTER & BRUMFIELD	GEI	POTTER & BRUMFIELD	GEI
T72M	AR7	T72M	AR7
T72M-1D155-06	AR7-006-AQ8S	T72M-1D121-06	AR7-006-AQ8S
T72M-1D155-12	AR7-012-AQ8S	T72M-1D121-12	AR7-012-AQ8S
T72M-1D155-24	AR7-024-AQ8S	T72M-1D121-24	AR7-024-AQ8S
T72M-5D155-06	AR7-006-CQ8S	T72M-5D121-06	AR7-006-CQ8S
T72M-5D121-12	AR7-012-CQ8S	T72M-5D155-12	AR7-012-CQ8S
T72M-5D121-24	AR7-024-CQ8S	T72M-5D155-24	AR7-024-CQ8S

POTTER & BRUMFIELD	GEI	POTTER & BRUMFIELD	GEI
T73	GP2	T73	GP2
T73V1D15-03	GP2-003-A10D	T73V1D15-06	GP2-006-A10D
T73V1D15-09	GP2-009-A10D	T73V1D15-12	GP2-012-A10D
T73V1D15-24	GP2-024-A10D	T73V1D15-48	GP2-048-A10D
T73V5D15-03	GP2-003-C10D	T73SVD15-06	GP2-006-C10D
T73V5D15-09	GP2-009-C10D	T73V5D15-12	GP2-012-C10D
T73V5D15-24	GP2-024-C10D	T73V5D15-48	GP2-003-A12D
T73S1D15-03	GP2-003-A10S	T73S1D15-06	GP2-006-A10S
T73S1D15-09	GP2-009-A10S	T73S1D15-12	GP2-012-A10S
T73S1D15-24	GP2-024-A10S	T73S1D15-48	GP2-048-A10S
T73S5D15-03	GP2-003-C10S	T73S5D15-06	GP2-006-C10S
T73S5D15-09	GP2-009-C10S	T73S5D15-12	GP2-012-C10S
T73S5D15-24	GP2-024-C10S	T73S5D15-48	GP2-048-C10S

POTTER & BRUMFIELD	GEI	POTTER & BRUMFIELD	GEI
T75	GP3	T75	GP3
T75-S1D112-05	GP3-005-AS	T75-S1D112-06	GP3-006-AS
T75-S1D112-09	GP3-009-AS	T75-S1D112-12	GP3-012-AS
T75-S1D112-24	GP3-024-AS	T75-S1D112-48	GP3-048-AS
T75-S1D112-60	GP3-060-AS	T75-S5D112-05	GP3-005-CS
T75-S5D112-06	GP3-006-CS	T75-S5D112-09	GP3-009-CS
T75-S5D112-12	GP3-012-CS	T75-S5D112-24	GP3-024-CS
T75-S5D112-48	GP3-048-CS	T75-S5D112-60	GP3-060-CS

Greenwich Electronics, Inc.

RELAY CROSS REFERENCE

POTTER & BRUMFIELD	GEI	POTTER & BRUMFIELD	GEI
T7C	GP1	T7C	GP1
T7CS1D-05	GP1-005-A12S	T7CS1D-06	GP1-006-A12S
T7CS1D-09	GP1-009-A12S	T7CS1D-12	GP1-012-A12S
T7CS1D-24	GP1-024-A12S	T7CS1D-48	GP1-048-A12S
T7CS5D-05	GP1-005-C12S	T7CS5D-06	GP1-006-C12S
T7CS5D-09	GP1-009-C12S	T7CS5D-12	GP1-012-C12S
T7CS5D-24	GP1-024-C12S	T7CS5D-48	GP1-048-C12S
T7CV1D-05	GP1-005-A12D	T7CV1D-06	GP1-006-A12D
T7CV1D-09	GP1-009-A12D	T7CV1D-24	GP1-024-A12D
T7CV1D-48	GP1-048-A12D	T7CV5D-05	GP1-005-C12D
T7CV5D-06	GP1-006-C12D	T7CV5D-09	GP1-009-C12D
T7CV5D-12	GP1-012-C12D	T7CV5D-24	GP1-024-C12D
T7CV5D-48	GP1-048-C12D	T7CV1D-12	GP1-012-A12D

POTTER & BRUMFIELD	GEI	POTTER & BRUMFIELD	GEI
T7N	GP1	T7N	GP1
T7NS1D1-05	GP1-005-A10S	T7NS1D1-06	GP1-006-A10S
T7NS1D1-09	GP1-009-A10S	T7NS1D1-12	GP1-012-A10S
T7NS1D1-24	GP1-024-A10S	T7NS1D1-48	GP1-048-A10S
T7NS5D1-05	GP1-005-C10S	T7NS5D1-06	GP1-006-C10S
T7NS5D1-09	GP1-009-C10S	T7NS5D1-12	GP1-012-C10S
T7NS5D1-24	GP1-024-C10S	T7NS5D1-48	GP1-048-C10S

POTTER & BRUMFIELD	GEI	POTTER & BRUMFIELD	GEI
T81	LS1	T81	LS1
T81H5D312-03	LS1-003-5H1S	T81H5D312-05	LS1-005-5H1S
T81H5D312-06	LS1-006-5H1S	T81H5D312-09	LS1-009-5H1S
T81H5D312-12	LS1-012-5H1S	T81H5D312-24	LS1-024-5H1S
T81N5D312-03	LS1-003-5L1S	T81N5D312-05	LS1-005-5L1S
T81N5D312-06	LS1-006-5L1S	T81N5D312-09	LS1-009-5L1S
T81N5D312-12	LS1-012-5L1S	T81N5D312-24	LS1-024-5L1S

Greenwich Electronics, Inc.

RELAY CROSS REFERENCE

POTTER & BRUMFIELD	GEI	POTTER & BRUMFIELD	GEI
T85	CY	T85	CY
T85N11D114-24	CY-24V	T85N11D114-48	CY-48V
T85N11D114-04	CY-4.5VH	T85N11D114-05	CY-5VH
T85N11D114-06	CY-6VH	T85N11D114-09	CY-9VH
T85N11D114-12	CY-12VH		

POTTER & BRUMFIELD	GEI	POTTER & BRUMFIELD	GEI
T90	HD1	T90	HD1
T90N1D12-5	HD1-005D-A30PC0	T90N1D12-6	HD1-006D-A30PC0
T90N1D12-9	HD1-009D-A30PC0	T90N1D12-12	HD1-012D-A30PC0
T90N1D12-18	HD1-018D-A30PC0	T90N1D12-24	HD1-024D-A30PC0
T90N1D12-48	HD1-048D-A30PC0	T90N1D12-110	HD1-110D-A30PC0
T90N5D12-5	HD1-005D-C30PC0	T90N5D12-6	HD1-006D-C30PC0
T90N5D12-9	HD1-009D-C30PC0	T90N5D12-12	HD1-012D-C30PC0
T90N5D12-18	HD1-018D-C30PC0	T90N5D12-24	HD1-024D-C30PC0
T90N5D12-48	HD1-048D-C30PC0	T90N5D12-110	HD1-110D-C30PC0
T90S1D12-5	HD1-005D-A30PCS	T90S1D12-6	HD1-006D-A30PCS
T90S1D12-9	HD1-009D-A30PCS	T90S1D12-12	HD1-012D-A30PCS
T90S1D12-18	HD1-018D-A30PCS	T90S1D12-24	HD1-024D-A30PCS
T90S1D12-48	HD1-048D-A30PCS	T90S1D12-110	HD1-110D-A30PCS
T90S5D12-5	HD1-005D-C30PCS	T90S5D12-6	HD1-006D-C30PCS
T90S5D12-9	HD1-009D-C30PCS	T90S5D12-12	HD1-012D-C30PCS
T90S5D12-18	HD1-018D-C30PCS	T90S5D12-24	HD1-024D-C30PCS
T90S5D12-48	HD1-0048D-C30PCS	T90S5D12-110	HD1-110D-C30PCS
T90N1D42-5	HD1-005D-A30PC0N	T90N1D42-6	HD1-006D-A30PC0N
T90N1D42-9	HD1-009D-A30PC0N	T90N1D42-12	HD1-012D-A30PC0N
T90N1D42-18	HD1-018D-A30PC0N	T90N1D42-24	HD1-024D-A30PC0N
T90N1D42-48	HD1-048D-A30PC0N	T90N1D42-110	HD1-110D-A30PC0N
T90N5D42-5	HD1-005D-C30PC0N	T90N5D42-6	HD1-006D-C30PC0N
T90N5D42-9	HD1-009D-C30PC0N	T90N5D42-12	HD1-012D-C30PC0N
T90N5D42-24	HD1-024D-C30PC0N	T90N5D42-48	HD1-048D-C30PC0N
T90N5D42-110	HD1-110D-C30PC0N	T90S1D42-5	HD1-005D-A30PCSN
T90S1D42-6	HD1-006D-A30PCSN	T90S1D42-9	HD1-009D-A30PCSN
T90S1D42-12	HD1-012D-A30PCSN	T90S1D42-18	HD1-018D-A30PCSN
T90S1D42-24	HD1-024D-A30PCSN	T90S1D42-48	HD1-048D-A30PCSN
T90S1D42-110	HD1-110D-A30PCSN	T90S5D42-5	HD1-005D-C30PCSN
T90S5D42-6	HD1-006D-C30PCSN	T90S5D42-9	HD1-009D-C30PCSN
T90S5D42-12	HD1-012D-C30PCSN	T90S5D42-18	HD1-018D-C30PCSN
T90S5D42-24	HD1-024D-C30PCSN	T90S5D42-48	HD1-048D-C30PCSN
T90S5D42-110	HD1-112D-C30PCSN		

Greenwich Electronics, Inc.

RELAY CROSS REFERENCE

POTTER & BRUMFIELD GEI

T92

HD2

T92P11D12-12 HD2-012D-2CPCD
T92P11D12-48 HD2-048D-2CPCD
T92P7D12-24 HD2-024D-2APCD
T92P11D22-12 HD2-012D-2CPM2D
T92P11D22-48 HD2-048D-2CPM2D
T92P7D22-24 HD2-024D-2APM2D
T92P11D32-6 HD2-006D-2CPM1D
T92P11D32-24 HD2-024D-2CPM1D
T92P7D32-6 HD2-006D-2APM1D
T92P7D32-24 HD2-024D-2APM1D
T92S11D12-12 HD2-012D-2CPCS
T92S11D12-48 HD2-048D-2CPCS
T92S7D12-24 HD2-024D-2APCS
T92S11D22-12 HD2-012D-2CPM2S
T92S11D22-48 HD2-048D-2CPM2S
T92S7D22-24 HD2-024D-2APM2S
T92S11D32-6 HD2-006D-2CPM1S
T92S11D32-24 HD2-024D-2CPM1S
T92S7D32-6 HD2-006D-2APM1S
T92S7D32-24 HD2-024D-2APM1S
T92P11A12-24 HD2-024A-2CPCD
T92P11A12-240 HD2-240A-2CPCD
T92P7A12-24 HD2-024A-2APCD
T92P7A12-240 HD2-240A-2APCD
T92P11A22-24 HD2-024A-2CPM2D
T92P11A22-240 HD2-240A-2CPM2D
T92P7A22-24 HD2-024A-2APM2D
T92P7A22-240 HD2-240A-2APM2D
T92P11A32-24 HD2-024A-2CPM1D
T92P11A32-240 HD2-240A-2CPM1D
T92P7A32-24 HD2-024A-2APM1D
T92P7A32-240 HD2-240A-2APM1D
T92S11A12-24 HD2-024A-2CPCS
T92S11A12-240 HD2-240A-2CPCS
T92S7A12-24 HD2-024A-2APCS
T92S7A12-240 HD2-240A-2APCS
T92S11A22-24 HD2-024A-2CPM2S
T92S11A22-240 HD2-240A-2CPM2S
T92S7A22-24 HD2-024A-2APM2S
T92S7A22-240 HD2-240A-2APM2S
T92S11A32-24 HD2-024A-2CPM1S
T92S11A32-240 HD2-240A-2CPM1S
T92S7A32-24 HD2-024A-2APM1S
T92S7A32-240 HD2-240A-2APM1S

POTTER & BRUMFIELD GEI

T92

HD2

T92P11D12-24 HD2-024D-2CPCD
T92P7D12-12 HD2-012D-2APCD
T92P7D12-48 HD2-048D-2APCD
T92P11D22-24 HD2-024D-2CPM2D
T92P7D22-12 HD2-012D-2APM2D
T92P7D22-48 HD2-048D-2APM2D
T92P11D32-12 HD2-012D-2CPM1D
T92P11D32-48 HD2-048D-2CPM1D
T92P7D32-12 HD2-012D-2APM1D
T92P7D32-48 HD2-048D-2APM1D
T92S11D12-24 HD2-024D-2CPCS
T92S7D12-12 HD2-012D-2APCS
T92S7D12-48 HD2-048D-2APCS
T92S11D22-24 HD2-024D-2CPM2S
T92S7D22-12 HD2-012D-2APM2S
T92S7D22-48 HD2-048D-2APM2S
T92S11D32-12 HD2-012D-2CPM1S
T92S11D32-48 HD2-048D-2CPM1S
T92S7D32-12 HD2-012D-2APM1S
T92S7D32-48 HD2-048D-2APM1S
T92P11A12-120 HD2-120A-2CPCD
T92P11A12-277 HD2-277A-2CPCD
T92P7A12-120 HD2-120A-2APCD
T92P7A12-277 HD2-277A-2APCD
T92P11A22-120 HD2-120A-2CPM2D
T92P11A22-277 HD2-277A-2CPM2D
T92P7A22-120 HD2-120A-2APM2D
T92P7A22-277 HD2-277A-2APM2D
T92P11A32-120 HD2-120A-2CPM1D
T92P11A32-277 HD2-277A-2CPM1D
T92P7A32-120 HD2-120A-2APM1D
T92P7A32-277 HD2-277A-2APM1D
T92S11A12-120 HD2-120A-2CPCS
T92S11A12-277 HD2-277A-2CPCS
T92S7A12-120 HD2-120A-2APCS
T92S7A12-277 HD2-277A-2APCS
T92S11A22-120 HD2-120A-2CPM2S
T92S11A22-277 HD2-277A-2CPM2S
T92S7A22-120 HD2-120A-2APM2S
T92S7A22-277 HD2-277A-2APM2S
T92S11A32-120 HD2-120A-2CPM1S
T92S11A32-277 HD2-277A-2CPM1S
T92S7A32-120 HD2-120A-2APM1S
T92S7A32-277 HD2-277A-2APM1S

Greenwich Electronics, Inc.

RELAY CROSS REFERENCE

POTTER & BRUMFIELD	GEI	POTTER & BRUMFIELD	GEI
V23105	LS3	V23105	LS3
V23105-A5-301	LS3-005-S	V23105-A5-302	LS3-006-S
V23105-A5-306	LS3-009-S	V23105-A5-303	LS3-012-S
V23105-A5-305	LS3-024-S	V23105-A5-307	LS3-048-S
V23105-A5-001	LS3-005-HS	V23105-A5-002	LS3-006-HS
V23105-A5-006	LS3-009-HS	V23105-A5-003	LS3-012-HS
V23105-A5-005	LS3-024-HS		

POTTER & BRUMFIELD	GEI	POTTER & BRUMFIELD	GEI
VF4	AR1	VF4	AR1
VF4-11D11	AR1-006-A01N	VF4-11F11	AR1-012-A01N
VF4-11H11	AR1-024-A01N	VF4-11D11-S07	AR1-006-A11N
VF4-11F11-S01	AR1-012-A11N	VF4-11G11-S08	AR1-024-A11N
VF4-15D11	AR1-006-C01N	VF4-15F11	AR1-012-C01N
VF4-15H11	AR1-024-C01N	VF4-15D11-S07	AR1-006-C11N
VF4-15F11-S01	AR1-012-C11N	VF4-15H11-S08	AR1-024-C11N
VF4-81D11	AR1-006-A01M	VF4-81F11	AR1-012-A01M
VF4-81H11	AR1-024-A01M	VF4-81D11-S07	AR1-006-A11M
VF4-81F11-S01	AR1-012-A11M	VF4-81H11-S08	AR1-024-A11M
VF4-85D11	AR1-006-C01M	VF4-85F11	AR1-012-C01M
VF4-85H11	AR1-024-C01M	VF4-85D11-S07	AR1-006-C11M
VF4-85F11-S01	AR1-012-C11M	VF4-85H11-S08	AR1-024-C11M
VF4-41D11	AR1-006-A01R	VF4-41F11	AR1-012-A01R
VF4-41H11	AR1-024-A01R	VF4-41D11-S07	AR1-006-A11R
VF4-41F11-S01	AR1-012-A11R	VF4-41H11-S08	AR1-024-A11R
VF4-45D11	AR1-006-C01R	VF4-45F11	AR1-012-C01R
VF4-45H11	AR1-024-C01R	VF4-45D11-S07	AR1-006-C11R
VF4-45F11-S01	AR1-012-C11R	VF4-45H11-S08	AR1-024-C11R
VF4-11D13	AR1-006-A02N	VF4-11F13	AR1-012-A02N
VF4-11H13	AR1-024-A02N	VF4-11D13-S07	AR1-006-A12N
VF4-11F13-S01	AR1-012-A12N	VF4-11H13-S01	AR1-012-A12N
VF4-15D13	AR1-006-C02N	VF4-15F13	AR1-012-CO2N
VF4-15H13	AR1-024-C02N	VF4-15D13-S07	AR1-006-C12N
VF4-15F13-S01	AR1-012-C12N	VF4-15H13-S08	AR1-024-C12N
VF4-11D11-C01	AR1-006-A01NS	VF4-11F11-C01	AR1-012-A01NS
VF4-11H11-C01	AR1-024-A01NS	VF4-11D11-S07-C01	AR1-006-A11NS
VF4-11F11-S01-C01	AR1-012-A11NS	VF4-11H11-S08-C01	AR1-024-A11NS
VF4-15D11-C01	AR1-006-C01NS	VF4-15F11-C01	AR1-012-C01NS
VF4-15H11-C01	AR1-024-C01NS	VF4-15D11-SO7-C01	AR1-006-C11NS
VF4-15F11-SO1-C01	AR1-012-C11NS	VF4-15H11-SO8-C01	AR1-024-C11NS
VF4-81D11-C01	AR1-006-A01MS	VF4-81F11-C01	AR1-012-A01MS
VF4-81H11-C01	AR1-024-A01MS	VF4-81D11-S07-C01	AR1-006-A11MS

Greenwich Electronics, Inc.

RELAY CROSS REFERENCE

VF4-81F11-S01-C01	AR1-012-A11MS	VF4-81H11-S08-C01	AR1-024-A11MS
VF4-85D11-C01	AR1-006-C01MS	VF4-85F11-C01	AR1-012-C01MS
VF4-85H11-C01	AR1-024-C01MS	VF4-85D11-S07-C01	AR1-006-C11MS
VF4-85F11-S01-C01	AR1-012-C11MS	VF4-85H11-S08-C01	AR1-024-C11MS
VF4-41D11-C01	AR1-006-A01RS	VF4-41F11-C01	AR1-012-A01RS
VF4-41H11-C01	AR1-024-A01RS	VF4-41D11-S07-C01	AR1-006-A11RS
VF4-41F11-S01-C01	AR1-012-A11RS	VF4-41H11-S08-C01	AR1-024-A11RS
VF4-45D11-C01	AR1-006-C01RS	VF4-45F11-C01	AR1-012-C01RS
VF4-45FH11-C01	AR1-024-C01RS	VF4-45D11-S07-C01	AR1-006-C11RS
VF4-45F11-S01-C01	AR1-012-C11RS	VF4-45H11-S08-C01	AR1-024-C11RS
VF4-11D13-C01	AR1-006-A02NS	VF4-11F13-C01	AR1-012-A02NS
VF4-11H13-C01	AR1-024-A02NS	VF4-11D13-S07-C01	AR1-006-A12NS
VF4-11F13-S01-C01	AR1-012-A12NS	VF4-11H13-S08-C01	AR1-024-A12NS
VF4-15D13-C01	AR1-006-C02NS	VF4-15F13-C01	AR1-012-C02NS
VF4-15H13-C01	AR1-024-C02NS	VF4-15D13-S07-C01	AR1-006-C12NS
VF4-15F13-S01-C01	AR1-012-C12NS	VF4-15H13-S08-C01	AR1-024-C12NS

POTTER & BRUMFIELD GEI

VF7

AR2

VF7-11D11	AR2-006-A01N
VF7-11H11	AR2-024-A01N
VF7-41F11	AR2-012-A01R

POTTER & BRUMFIELD

GEI

VF7

AR2

VF7-11F11	AR2-012-A01N
VF7-41D11	AR2-006-A01R
VF7-41H11	AR2-024-A01R

POTTER & BRUMFIELD GEI

VF7

AR3

VF7-11F11	AR3-012-A01N
VF7-11F11-S01	AR3-012-A11N
VF7-11F12	AR3-012-A02N
VF7-11F12-S01	AR3-012-A12N
VF7-41F11	AR3-012-A01R
VF7-41F11-S01	AR3-012-A11R

POTTER & BRUMFIELD

GEI

VF7

AR3

VF7-11H11	AR3-024-A01N
VF7-11H11-S08	AR3-024-A11N
VF7-11H12	AR3-024-A02N
VF7-11H12-S08	AR3-024-A12N
VF7-41H11	AR3-024-A01R
VF7-41H11-S08	AR3-024-A11R

Greenwich Electronics, Inc.

RELAY CROSS REFERENCE

POTTER & BRUMFIELD	GEI	POTTER & BRUMFIELD	GEI
VFM	AR4	VFM	AR4
VFM-11D21	AR4-006-A01	VFM-11D41	AR4-006-A01
VFM-11F41	AR4-012-A01	VFM-11F21	AR4-012-A01
VFM-11H41	AR4-024-A01	VFM-11H21	AR4-024-A01
VFM-15D41	AR4-006-C01	VFM-15D21	AR4-006-C01
VFM-15F21	AR4-012-C01	VFM-15F41	AR4-012-C01
VFM-15H21	AR4-024-C01	VFM-15H41	AR4-024-C01
VFM-11D21-S07	AR4-006-A11	VFM-11D41-S07	AR4-006-A11
VFM-11F21-S01	AR4-012-A11	VFM-11F41-S01	AR4-006-A11
VFM-11H41-S08	AR4-006-A11	VFM-11H21-S08	AR4-024-A11
VFM-15D41-S07	AR4-006-C11	VFM-15D21-S07	AR4-006-C11
VFM-15F41-S01	AR4-006-C11	VFM-15F21-S01	AR4-012-C11
VFM-15H41-S08	AR4-024-C11	VFM-11D21	AR4-006-A01S
VFM-11D41	AR4-006-A01S	VFM-11F21	AR4-012-A01S
VFM-11F41	AR4-012-A01S	VFM-11H41	AR4-024-A01S
VFM-11H21	AR4-024-A01S	VFM-15D41	AR4-006-C01S
VFM-15D21	AR4-006-C01S	VFM-15F21	AR4-012-C01S
VFM-15F41	AR4-012-C01S	VFM-15H41	AR4-024-C01S
VFM-15H21	AR4-024-C01S	VFM-11D21-S07	AR4-006-A11S
VFM-11D41-S07	AR4-006-A11S	VFM-11F21-S01	AR4-012-A11S
VFM-11F41-S01	AR4-012-A11S	VFM-11H41-S08	AR4-024-A11S
VFM-11H21-S08	AR4-024-A11S	VFM-15D21-S07	AR4-006-C11S
VFM-15D41-S07	AR4-006-C11S	VFM-15F41-S01	AR4-012-C11S
VFM-15F21-S01	AR4-012-C11S	VFM-15H41-S08	AR4-024-C11S
VFM-15H21-S08	AR4-024-C11S		

POTTER & BRUMFIELD	GEI	POTTER & BRUMFIELD	GEI
VKP	AR5	VKP	AR5
VKP-11D42	AR5-006-AUO	VKP-11D52	AR5-006-AUO
VKP-11F52	AR5-012-AUO	VKP-11F42	AR5-012-AUO
VKP-11H42	AR5-024-AUO	VKP-11H52	AR5-024-AUO
VKP-15D42	AR5-006-CUO	VKP-15D52	AR5-006-CUO
VKP-15F42	AR5-012-CUO	VKP-15F52	AR5-012-CUO
VKP-15H52	AR5-024-CUO	VKP-15H42	AR5-024-CUO
VKP-11D52	AR5-006-AUHO	VKP-11D42	AR5-006-AUHO
VKP-11F42	AR5-012-AUHO	VKP-11F52	AR5-012-AUHO
VKP-11H42	AR5-024-AUHO	VKP-11H52	AR5-024-AUHO
VKP-15D42	AR5-006-CUHO	VKP-15D52	AR5-006-CUHO
VKP-15F42	AR5-012-CUHO	VKP-15F52	AR5-012-CUHO
VKP-15H42	AR5-024-CUHO	VKP-15H52	AR5-024-CUHO
VKP-11D41K01	AR5-006-AEO	VKP-11F41K01	AR5-012-AEO
VKP-11H41K01	AR5-024-AEO	VKP-15D41K01	AR5-006-CEO

Greenwich Electronics, Inc.

RELAY CROSS REFERENCE

VKP-15F41K01	AR5-012-CEO	VKP-15H41K01	AR5-024-CEO
VKP-11D41K01	AR5-006-AEHO	VKP-11F41K01	AR5-012-AEHO
VKP-11H41K01	AR5-024-AEHO	VKP-15D41K01	AR5-006-CEHO
VKP-15F41K01	AR5-012-CEHO	VKP-15H41K01	AR5-024-CEHO
VKP-31D52	AR5-006-AUS	VKP-31D42	AR5-006-AUS
VKP-31F52	AR5-012-AUS	VKP-31F42	AR5-012-AUS
VKP-31H52	AR5-024-AUS	VKP-31H42	AR5-024-AUS
VKP-35D42	AR5-006-CUS	VKP-35D52	AR5-006-CUS
VKP-35F42	AR5-012-CUS	VKP-35F52	AR5-012-CUS
VKP-35H42	AR5-024-CUS	VKP-35H52	AR5-024-CUS
VKP-31D52	AR5-006-AUHS	VKP-31D42	AR5-006-AUHS
VKP-31F52	AR5-012-AUHS	VKP-31F42	AR5-012-AUHS
VKP-31H52	AR5-024-AUHS	VKP-31H42	AR5-024-AUHS
VKP-35D52	AR5-006-CUHS	VKP-35D42	AR5-006-CUHS
VKP-35F52	AR5-012-CUHS	VKP-35F42	AR5-012-CUHS
VKP-35H52	AR5-024-CUHS	VKP-35H42	AR5-024-CUHS

SONG CHUAN

703

703-XB-6VDC
703-XB-24VDC
703-XB-6VAC
703-XB-24VAC
703-XB-240VAC
703-XC-12VDC
703-XC-48VDC
703-XC-12VAC
703-XC-120VAC

GEI

GP4

GP4-006D-2C2
GP4-024D-2C2
GP4-006A-2C2
GP4-024A-2C2
GP4-220A-2C2
GP4-012D-3C2
GP4-048D-3C2
GP4-012A-3C2
GP4-110A-3C2

SONG CHUAN

703

703-XB-12VDC
703-XB-48VDC
703-XB-12VAC
703-XB-120VAC
703-XC-6VDC
703-XC-24VDC
703-XC-6VAC
703-XC-24VAC
703-XC-240VAC

GEI

GP4

GP4-012D-2C2
GP4-048D-2C2
GP4-012A-2C2
GP4-110A-2C2
GP4-006D-3C2
GP4-024D-3C2
GP4-006A-3C2
GP4-024A-3C2
GP4-220A-3C2

SONG CHUAN

792

792-1AC-12VDC
792-1AC-R1-12VDC
792-1AC-D2-12VDC
792-1CC-12VDC
792-1CC-R1-12VDC
792-1CC-D2-12VDC
792-1AC1-12VDC
792-1AC1-R1-12VDC
792-1AC1-D2-12VDC

GEI

AR1

AR1-012-A01N
AR1-012-A11N
AR1-012-A21N
AR1-012-C01N
AR1-012-C11N
AR1-012-C21N
AR1-012-A01M
AR1-012-A11M
AR1-012-A21M

SONG CHUAN

792

792-1AC-24VDC
792-1AC-R1-24VDC
792-1AC-D2-24VDC
792-1CC-24VDC
792-1CC-R1-24VDC
792-1CC-D2-24VDC
792-1AC1-24VDC
792-1AC1-R1-24VDC
792-1AC1-D2-24VDC

GEI

AR1

AR1-024-A01N
AR1-024-A11N
AR1-024-A21N
AR1-024-C01N
AR1-024-C11N
AR1-024-C21N
AR1-024-A01M
AR1-024-A11M
AR1-024-A21M

Greenwich Electronics, Inc.

RELAY CROSS REFERENCE

792-1CC1-12VDC	AR1-012-C01M	792-1CC1-24VDC	AR1-024-C01M
792-1CC1-R1-12VDC	AR1-012-C11M	792-1CC1-R1-24VDC	AR1-024-C11M
792-1CC1-D2-12VDC	AR1-012-C21M	792-1CC1-D2-24VDC	AR1-024-C21M
792-1AC1S-12VDC	AR1-012-A01R	792-1AC1S-24VDC	AR1-024-A01R
792-1AC1S-R1-12VDC	AR1-012-A11R	792-1AC1S-R1-24VDC	AR1-024-A11R
792-1AC1S-D2-12VDC	AR1-012-A21R	792-1AC1S-D2-24VDC	AR1-024-A21R
792-1CC1S-12VDC	AR1-012-C01R	792-1CC1S-24VDC	AR1-024-C01R
792-1CC1S-R1-12VDC	AR1-012-C11R	792-1CC1S-R1-24VDC	AR1-024-C11R
792-1CC1S-D2-12VDC	AR1-012-C21R	792-1CC1S-D2-24VDC	AR1-024-C21R

SONG CHUAN

GEI

792H

AR1

792H-1AC-12VDC	AR1-012-A01N
792H-1AC-R1-12VDC	AR1-012-A11N
792H-1AC-D2-12VDC	AR1-012-A21N
792H-1CC-12VDC	AR1-012-C01N
792H-1CC-R1-12VDC	AR1-012-C11N
792H-1CC-D2-12VDC	AR1-012-C21N
792H-1AC1-12VDC	AR1-012-A01M
792H-1AC1-R1-12VDC	AR1-012-A11M
792H-1AC1-D2-12VDC	AR1-012-A21M
792H-1CC1-12VDC	AR1-012-C01M
792H-1CC1-R1-12VDC	AR1-012-C11M
792H-1CC1-D2-12VDC	AR1-012-C21M
792H-1AC1S-12VDC	AR1-012-A01R
792H-1AC1S-R1-12VDC	AR1-012-A11R
792H-1AC1S-D2-12VDC	AR1-012-A21R
792H-1CC1S-12VDC	AR1-012-C01R
792H-1CC1S-R1-12VDC	AR1-012-C11R
792H-1CC1S-D2-12VDC	AR1-012-C21R

SONG CHUAN

GEI

792H

AR1

792H-1AC-24VDC	AR1-024-A01N
792H-1AC-R1-24VDC	AR1-024-A11N
792H-1AC-D2-24VDC	AR1-024-A21N
792H-1CC-24VDC	AR1-024-C01N
792H-1CC-R1-24VDC	AR1-024-C11N
792H-1CC-D2-24VDC	AR1-024-C21N
792H-1AC1-24VDC	AR1-024-A01M
792H-1AC1-R1-24VDC	AR1-024-A11M
792H-1AC1-D2-24VDC	AR1-024-A21M
792H-1CC1-24VDC	AR1-024-C01M
792H-1CC1-R1-24VDC	AR1-024-C11M
792H-1CC1-D2-24VDC	AR1-024-C21M
792H-1AC1S-24VDC	AR1-024-A01R
792H-1AC1S-R1-24VDC	AR1-024-A11R
792H-1AC1S-D2-24VDC	AR1-024-A21R
792H-1CC1S-24VDC	AR1-024-C01R
792H-1CC1S-R1-24VDC	AR1-024-C11R
792H-1CC1S-D2-24VDC	AR1-024-C21R

SONG CHUAN

GEI

801H

GP1

801H-1AS-5VDC	GP1-005-A15S
801H-1AS-9VDC	GP1-009-A15S
801H-1AS-24VDC	GP1-024-A15S
801H-1BS-5VDC	GP1-005-B15S
801H-1BS-9VDC	GP1-009-B15S
801H-1BS-24VDC	GP1-024-B15S
801H-1CS-5VDC	GP1-005-C15S

SONG CHUAN

GEI

801H

GP1

801H-1AS-6VDC	GP1-006-A15S
801H-1AS-12VDC	GP1-012-A15S
801H-1AS-48VDC	GP1-048-A15S
801H-1BS-6VDC	GP1-006-B15S
801H-1BS-12VDC	GP1-012-B15S
801H-1BS-48VDC	GP1-048-B15S
801H-1CS-6VDC	GP1-006-C15S

Greenwich Electronics, Inc.

RELAY CROSS REFERENCE

801H-1CS-9VDC	GP1-009-C15S	801H-1CS-12VDC	GP1-012-C15S
801H-1CS-24VDC	GP1-024-C15S	801H-1CS-48VDC	GP1-048-C15S
801H-1AC-5VDC	GP1-005-A15D	801H-1AC-6VDC	GP1-006-A15D
801H-1AC-9VDC	GP1-009-A15D	801H-1AC-12VDC	GP1-012-A15D
801H-1AC-24VDC	GP1-024-A15D	801H-1AC-48VDC	GP1-048-A15D
801H-1BC-5VDC	GP1-005-B15D	801H-1BC-6VDC	GP1-006-B15D
801H-1BC-9VDC	GP1-009-B15D	801H-1BC-12VDC	GP1-012-B15D
801H-1BC-24VDC	GP1-024-B15D	801H-1BC-48VDC	GP1-048-B15D
801H-1CC-5VDC	GP1-005-C15D	801H-1CC-6VDC	GP1-006-C15D
801H-1CC-9VDC	GP1-009-C15D	801H-1CC-12VDC	GP1-012-C15D
801H-1CC-24VDC	GP1-024-C15D	801H-1CC-48VDC	GP1-048-C15D

SONG CHUAN

GEI

SONG CHUAN

GEI

812H

GP1

812H

GP1

812H-1AS-5VDC	GP1-005-A12S	812H-1ASB-5VDC	GP1-005-A12S
812H-1AS-6VDC	GP1-006-A12S	812H-1ASB-6VDC	GP1-006-A12S
812H-1AS-9VDC	GP1-009-A12S	812H-1ASB-9VDC	GP1-009-A12S
812H-1ASB-12VDC	GP1-012-A12S	812H-1AS-12VDC	GP1-012-A12S
812H-1AS-24VDC	GP1-024-A12S	812H-1ASB-24VDC	GP1-024-A12S
812H-1AS-48VDC	GP1-048-A12S	812H-1ASB-48VDC	GP1-048-A12S
812H-1BS-5VDC	GP1-005-B12S	812H-1BSB-5VDC	GP1-005-B12S
812H-1BS-6VDC	GP1-006-B12S	812H-1BSB-6VDC	GP1-006-B12S
812H-1BS-9VDC	GP1-009-B12S	812H-1BSB-9VDC	GP1-009-B12S
812H-1BSB-12VDC	GP1-012-B12S	812H-1BS-12VDC	GP1-012-B12S
812H-1BSB-24VDC	GP1-024-B12S	812H-1BS-24VDC	GP1-024-B12S
812H-1BS-48VDC	GP1-048-B12S	812H-1BSB-48VDC	GP1-048-B12S
812H-1CSB-5VDC	GP1-005-C12S	812H-1CS-5VDC	GP1-005-C12S
812H-1CS-6VDC	GP1-006-C12S	812H-1CSB-6VDC	GP1-006-C12S
812H-1CSB-9VDC	GP1-009-C12S	812H-1CS-9VDC	GP1-009-C12S
812H-1CS-12VDC	GP1-012-C12S	812H-1CSB-12VDC	GP1-012-C12S
812H-1CSB-24VDC	GP1-024-C12S	812H-1CS-24VDC	GP1-024-C12S
812H-1CS-48VDC	GP1-048-C12S	812H-1CSB-48VDC	GP1-048-C12S
812H-1AC-5VDC	GP1-005-A12D	812H-1ACB-5VDC	GP1-005-A12D
812H-1AC-6VDC	GP1-006-A12D	812H-1ACB-6VDC	GP1-006-A12D
812H-1AC-9VDC	GP1-009-A12D	812H-1ACB-9VDC	GP1-009-A12D
812H-1AC-24VDC	GP1-024-A12D	812H-1ACB-24VDC	GP1-024-A12D
812H-1AC-48VDC	GP1-048-A12D	812H-1ACB-48VDC	GP1-048-A12D
812H-1BCB-5VDC	GP1-005-B12D	812H-1BC-5VDC	GP1-005-B12D
812H-1BC-6VDC	GP1-006-B12D	812H-1BCB-6VDC	GP1-006-B12D
812H-1BC-9VDC	GP1-009-B12D	812H-1BCB-9VDC	GP1-009-B12D
812H-1BCB-12VDC	GP1-012-B12D	812H-1BC-12VDC	GP1-012-B12D
812H-1BC-24VDC	GP1-024-B12D	812H-1BCB-24VDC	GP1-024-B12D
812H-1BC-48VDC	GP1-048-B12D	812H-1BCB-48VDC	GP1-048-B12D
812H-1CCB-5VDC	GP1-005-C12D	812H-1CCB-6VDC	GP1-006-C12D
812H-1CCB-9VDC	GP1-009-C12D	812H-1CCB-12VDC	GP1-012-C12D

Greenwich Electronics, Inc.

RELAY CROSS REFERENCE

812H-1CCB-24VDC
812H-1AC-12VDC

GP1-024-C12D
GP1-012-A12D

812H-1CCB-48VDC
812H-1ACB-12VDC

GP1-048-C12D
GP1-012-A12D

SONG CHUAN

GEI

SONG CHUAN

GEI

821-P

HD4

821-P

HD4

821-P-1AC-12VDC

HD4-012-APC

821-P-1AC-24VDC

HD4-024-APC

SONG CHUAN

GEI

SONG CHUAN

GEI

821-W

HD3

821-W

HD3

821-W-1AC-12VDC

HD3-012-A

821-W-1AC-24VDC

HD3-024-A

SONG CHUAN

GEI

SONG CHUAN

GEI

822

AR5

822

AR5

822-U1A-6VDC

AR5-006-AUO

822-U1A-12VDC

AR5-012-AUO

822-U1A-24VDC

AR5-024-AUO

822-U1B-6VDC

AR5-006-BUO

822-U1B-12VDC

AR5-012-BUO

822-U1B-24VDC

AR5-024-BUO

822-U1C-6VDC

AR5-006-CUO

822-U1C-12VDC

AR5-012-CUO

822-U1C-24VDC

AR5-024-CUO

822-U1A-6VDC

AR5-006-AUHO

822-U1A-12VDC

AR5-012-AUHO

822-U1A-24VDC

AR5-024-AUHO

822-U1B-6VDC

AR5-006-BUHO

822-U1B-12VDC

AR5-012-BUHO

822-U1B-24VDC

AR5-024-BUHO

822-U1C-6VDC

AR5-006-CUHO

822-U1C-12VDC

AR5-012-CUHO

822-U1C-24VDC

AR5-024-CUHO

822-E1A-6VDC

AR5-006-AEO

822-E1A-12VDC

AR5-012-AEO

822-E1A-24VDC

AR5-024-AEO

822-E1B-6VDC

AR5-006-BEO

822-E1B-12VDC

AR5-012-BEO

822-E1B-24VDC

AR5-024-BEO

822-E1C-6VDC

AR5-006-CEO

822-E1C-12VDC

AR5-012-CEO

822-E1C-24VDC

AR5-024-CEO

822-E1A-6VDC

AR5-006-AEHO

822-E1A-12VDC

AR5-012-AEHO

822-E1A-24VDC

AR5-024-AEHO

822-E1B-6VDC

AR5-006-BEHO

822-E1B-12VDC

AR5-012-BEHO

822-E1B-24VDC

AR5-024-BEHO

822-E1C-6VDC

AR5-006-CEHO

822-E1C-12DC

AR5-012-CEHO

822-E1C-24DC

AR5-024-CEHO

822-U1AC-6VDC

AR5-006-AUS

822-U1AS-6VDC

AR5-006-AUS

822-U1AS-12VDC

AR5-012-AUS

822-U1AC-12VDC

AR5-012-AUS

822-U1AS-24VDC

AR5-024-AUS

822-U1AC-24VDC

AR5-024-AUS

822-U1BS-6VDC

AR5-006-BUS

822-U1BC-6VDC

AR5-006-BUS

822-U1BS-12VDC

AR5-012-BUS

822-U1BC-12VDC

AR5-012-BUS

Greenwich Electronics, Inc.

RELAY CROSS REFERENCE

822-U1BS-24VDC	AR5-024-BUS	822-U1BC-24VDC	AR5-024-BUS
822-U1CS-6VDC	AR5-006-CUS	822-U1CC-6VDC	AR5-006-CUS
822-U1CC-12VDC	AR5-012-CUS	822-U1CS-12VDC	AR5-012-CUS
822-U1CC-24VDC	AR5-024-CUS	822-U1CS-24VDC	AR5-024-CUS
822-U1AS-6VDC	AR5-006-AUHS	822-U1AC-6VDC	AR5-006-AUHS
822-U1AS-12VDC	AR5-012-AUHS	822-U1AC-12VDC	AR5-012-AUHS
822-U1AS-24VDC	AR5-024-AUHS	822-U1AC-24VDC	AR5-024-AUHS
822-U1BS-6VDC	AR5-006-BUHS	822-U1BC-6VDC	AR5-006-BUHS
822-U1BS-12VDC	AR5-012-BUHS	822-U1BC-12VDC	AR5-012-BUHS
822-U1BS-24VDC	AR5-024-BUHS	822-U1BC-24VDC	AR5-024-BUHS
822-U1CC-6VDC	AR5-006-CUHS	822-U1CS-6VDC	AR5-006-CUHS
822-U1CC-12VDC	AR5-012-CUHS	822-U1CS-12VDC	AR5-012-CUHS
822-U1CC-24VDC	AR5-024-CUHS	822-U1CS-24VDC	AR5-024-CUHS
822-E1AC-6VDC	AR5-006-AES	822-E1AS-6VDC	AR5-006-AES
822-E1AC-12VDC	AR5-012-AES	822-E1AS-12VDC	AR5-012-AES
822-E1AC-24VDC	AR5-024-AES	822-E1AS-24VDC	AR5-024-AES
822-E1BC-6VDC	AR5-006-BES	822-E1BS-6VDC	AR5-006-BES
822-E1BC-12VDC	AR5-012-BES	822-E1BS-12VDC	AR5-012-BES
822-E1BS-24VDC	AR5-024-BES	822-E1BC-24VDC	AR5-024-BES
822-E1CC-6VDC	AR5-006-CES	822-E1CS-6VDC	AR5-006-CES
822-E1CC-12VDC	AR5-012-CES	822-E1CS-12VDC	AR5-012-CES
822-E1CC-24VDC	AR5-024-CES	822-E1CS-24VDC	AR5-024-CES
822-E1AC-6VDC	AR5-006-AEHS	822-E1AS-6VDC	AR5-006-AEHS
822-E1AS-12VDC	AR5-012-AEHS	822-E1AC-12VDC	AR5-012-AEHS
822-E1AC-24VDC	AR5-024-AEHS	822-E1AS-24VDC	AR5-024-AEHS
822-E1BC-6VDC	AR5-006-BEHS	822-E1BS-6VDC	AR5-006-BEHS
822-E1BC-12VDC	AR5-012-BEHS	822-E1BS-12VDC	AR5-012-BEHS
822-E1BC-24VDC	AR5-024-BEHS	822-E1BS-24VDC	AR5-024-BEHS
822-E1CC-6VDC	AR5-006-CEHS	822-E1CS-6VDC	AR5-006-CEHS
822-E1CS-12VDC	AR5-012-CEHS	822-E1CC-12VDC	AR5-012-CEHS
822-E1CS-24VDC	AR5-024-CEHS	822-E1CC-24VDC	AR5-024-CEHS

SONG CHUAN

GEI

SONG CHUAN

GEI

832

HD1

832

HD1

832-1A-5VDC	HD1-005D-A30PC0
832-1A-9VDC	HD1-009D-A30PC0
832-1A-24VDC	HD1-024D-A30PC0
832-1A-110VDC	HD1-110D-A30PC0
832-1B-6VDC	HD1-006D-B30PC0
832-1B12VDC	HD1-012D-B30PC0
832-1B48VDC	HD1-048D-B30PC0
832-1C-5VDC	HD1-005D-C30PC0
832-1C-9VDC	HD1-009D-C30PC0
832-1C-24VDC	HD1-024D-C30PC0
832-1C-110VDC	HD1-110D-C30PC0

832-1A-6VDC	HD1-006D-A30PC0
832-1A12VDC	HD1-012D-A30PC0
832-1A-48VDC	HD1-048D-A30PC0
832-1B-5VDC	HD1-005D-B30PC0
832-1B-9VDC	HD1-009D-B30PC0
832-1B-24VDC	HD1-024D-B30PC0
832-1B-110VDC	HD1-110D-B30PC0
832-1C-6VDC	HD1-006D-C30PC0
832-1C-12VDC	HD1-012D-C30PC0
832-1C-48VDC	HD1-048D-C30PC0
832-1AC-5VDC	HD1-005D-A30PCD

Greenwich Electronics, Inc.

RELAY CROSS REFERENCE

832-1AC-6VDC	HD1-006D-A30PCD	832-1AC9VDC	HD1-009D-A30PCD
832-1AC-12VDC	HD1-012D-A30PCD	832-1AC24VDC	HD1-024D-A30PCD
832-1AC-48VDC	HD1-048D-A30PCD	832-1AC-110VDC	HD1-110D-A30PCD
832-1BC-5VDC	HD1-005D-B30PCD	832-1BC-6VDC	HD1-006D-B30PCD
832-1BC-9VDC	HD1-009D-B30PCD	832-1BC-12VDC	HD1-012D-B30PCD
832-1BC-24VDC	HD1-024D-B30PCD	832-1BC-48VDC	HD1-048D-B30PCD
832-1BC-110VDC	HD1-110D-B30PCD	832-1CC-5VDC	HD1-005D-C30PCD
832-1CC-6VDC	HD1-006D-C30PCD	832-1CC-9VDC	HD1-009D-C30PCD
832-1CC-12VDC	HD1-012D-C30PCD	832-1CC-24VDC	HD1-024D-C30PCD
832-1CC-48VDC	HD1-048D-C30PCD	832-1CC-110VDC	HD1-110D-C30PCD
832-1AS-5VDC	HD1-005D-A30PCS	832-1AS-6VDC	HD1-006D-A30PCS
832-1AS-9VDC	HD1-009D-A30PCS	832-1AS-12VDC	HD1-012D-A30PCS
832-1AS-24VDC	HD1-024D-A30PCS	832-1AS-48VDC	HD1-048D-A30PCS
832-1AS-110VDC	HD1-110D-A30PCS	832-1BS-5VDC	HD1-005D-B30PCS
832-1BS-6VDC	HD1-006D-B30PCS	832-1BS-9VDC	HD1-009D-B30PCS
832-1BS-12VDC	HD1-012D-B30PCS	832-1BS-24VDC	HD1-024D-B30PCS
832-1BS-48VDC	HD1-048D-B30PCS	832-1BS-110VDC	HD1-110D-B30PCS
832-1CS-5VDC	HD1-005D-C30PCS	832-1CS-6VDC	HD1-006D-C30PCS
832-1CS-9VDC	HD1-009D-C30PCS	832-1CS-12VDC	HD1-012D-C30PCS
832-1CS-24VDC	HD1-024D-C30PCS	832-1CS-48VDC	HD1-0048D-C30PCS
832-1CS-110VDC	HD1-110D-C30PCS		

SONG CHUAN

832A

832A-1A-5VDC
832A-1A-9VDC
832A-1A-24VDC
832A-1A-110VDC
832A-1B-6VDC
832A-1B-12VDC
832A-1B-48VDC
832A-1C-5VDC
832A-1C-9VDC
832A-1C-24VDC
832A-1C-110VDC
832A-1AC-6VDC
832A-1AC-12VDC
832A-1AC-48VDC
832A-1BC-5VDC
832A-1BC-9VDC
832A-1BC-24VDC
832A-1BC-110VDC
832A-1CC-6VDC
832A-1CC-12VDC
832A-1CC-48VDC

GEI

HD1

HD1-005D-A30PC0N
HD1-009D-A30PC0N
HD1-024D-A30PC0N
HD1-110D-A30PC0N
HD1-006D-B30PC0N
HD1-012D-B30PC0N
HD1-048D-B30PC0N
HD1-005D-C30PC0N
HD1-009D-C30PC0N
HD1-024D-C30PC0N
HD1-110D-C30PC0N
HD1-006D-A30PCDN
HD1-012D-A30PCDN
HD1-048D-A30PCDN
HD1-005D-B30PCDN
HD1-009D-B30PCDN
HD1-024D-B30PCDN
HD1-110D-B30PCDN
HD1-006D-C30PCDN
HD1-012D-C30PCDN
HD1-048D-C30PCDN

SONG CHUAN

832A

832A-1A-6VDC
832A-1A-12VDC
832A-1A-48VDC
832A-1B-5VDC
832A-1B-9VDC
832A-1B-24VDC
832A-1B-110VDC
832A-1C-6VDC
832A-1C-12VDC
832A-1C-48VDC
832A-1AC-5VDC
832A-1AC-9VDC
832A-1AC-24VDC
832A-1AC-110VDC
832A-1BC-6VDC
832A-1BC-12VDC
832A-1BC-48VDC
832A-1CC-5VDC
832A-1CC-9VDC
832A-1CC-24VDC
832A-1CC-110VDC

GEI

HD1

HD1-006D-A30PC0N
HD1-012D-A30PC0N
HD1-048D-A30PC0N
HD1-005D-B30PC0N
HD1-009D-B30PC0N
HD1-024D-B30PC0N
HD1-110D-B30PC0N
HD1-006D-C30PC0N
HD1-012D-C30PC0N
HD1-048D-C30PC0N
HD1-005D-A30PCDN
HD1-009D-A30PCDN
HD1-024D-A30PCDN
HD1-110D-A30PCDN
HD1-006D-B30PCDN
HD1-012D-B30PCDN
HD1-048D-B30PCDN
HD1-005D-C30PCDN
HD1-009D-C30PCDN
HD1-024D-C30PCDN
HD1-110D-C30PCDN

Greenwich Electronics, Inc.

RELAY CROSS REFERENCE

832A-1AS-5VDC	HD1-005D-A30PCSN	832A-1AS-6VDC	HD1-006D-A30PCSN
832A-1AS-9VDC	HD1-009D-A30PCSN	832A-1AS-12VDC	HD1-012D-A30PCSN
832A-1AS-24VDC	HD1-024D-A30PCSN	832A-1AS-48VDC	HD1-048D-A30PCSN
832A-1AS-110VDC	HD1-110D-A30PCSN	832A-1BS-5VDC	HD1-005D-B30PCSN
832A-1BS-6VDC	HD1-006D-B30PCSN	832A-1BS-9VDC	HD1-009D-B30PCSN
832A-1BS-12VDC	HD1-012D-B30PCSN	832A-1BS-24VDC	HD1-024D-B30PCSN
832A-1BS-48VDC	HD1-048D-B30PCSN	832A-1BS-110VDC	HD1-110D-B30PCSN
832A-1CS-5VDC	HD1-005D-C30PCSN	832A-1CS-6VDC	HD1-006D-C30PCSN
832A-1CS-9VDC	HD1-009D-C30PCSN	832A-1CS-12VDC	HD1-012D-C30PCSN
832A-1CS-24VDC	HD1-024D-C30PCSN	832A-1CS-48VDC	HD1-048D-C30PCSN
832A-1CS-110VDC	HD1-112D-C30PCSN		

SONG CHUAN

GEI

833H

GP1

833H-1AS-5VDC	GP1-005-A10S
833H-1AS-9VDC	GP1-009-A10S
833H-1AS-24VDC	GP1-024-A10S
833H-1BS-5VDC	GP1-005-B10S
833H-1BS-9VDC	GP1-009-B10S
833H-1BS-24VDC	GP1-024-B10S
833H-1CS-5VDC	GP1-005-C10S
833H-1CS-9VDC	GP1-009-C10S
833H-1CS-24VDC	GP1-024-C10S
833H-1AC-5VDC	GP1-005-A10D
833H-1AC-9VDC	GP1-009-A10D
833H-1AC-24VDC	GP1-024-A10D
833H-1BC-5VDC	GP1-005-B10D
833H-1BC-9VDC	GP1-009-B10D
833H-1BC-24VDC	GP1-024-B10D
833H-1CC-5VDC	GP1-005-C10D
833H-1CC-9VDC	GP1-009-C10D
833H-1CC-24VDC	GP1-024-C10D

SONG CHUAN

GEI

833H

GP1

833H-1AS-6VDC	GP1-006-A10S
833H-1AS-12VDC	GP1-012-A10S
833H-1AS-48VDC	GP1-048-A10S
833H-1BS-6VDC	GP1-006-B10S
833H-1BS-12VDC	GP1-012-B10S
833H-1BS-48VDC	GP1-048-B10S
833H-1CS-6VDC	GP1-006-C10S
833H-1CS-12VDC	GP1-012-C10S
833H-1CS-48VDC	GP1-048-C10S
833H-1AC-6VDC	GP1-006-A10D
833H-1AC-12VDC	GP1-012-A10D
833H-1AC-48VDC	GP1-048-A10D
833H-1BC-6VDC	GP1-006-B10D
833H-1BC-12VDC	GP1-012-B10D
833H-1BC-48VDC	GP1-048-B10D
833H-1CC-6VDC	GP1-006-C10D
833H-1CC-12VDC	GP1-012-C10D
833H-1CC-48VDC	GP1-048-C10D

SONG CHUAN

GEI

835

LD3

835-1AC-3VDC	LD3-003-A10D
835-1AC-6VDC	LD3-006-A10D
835-1AC-12VDC	LD3-012-A10D
835-1AS-3VDC	LD3-003-A10S
835-1AS-6VDC	LD3-006-A10S

SONG CHUAN

GEI

835

LD3

835-1AC-5VDC	LD3-005-A10D
835-1AC-9VDC	LD3-009-A10D
835-1AC-24VDC	LD3-024-A10D
835-1AS-5VDC	LD3-005-A10S
835-1AS-9VDC	LD3-009-A10S

Greenwich Electronics, Inc.

RELAY CROSS REFERENCE

835-1AS-12VDC	LD3-012-A10S	835-1AS-24VDC	LD3-024-A10S
SONG CHUAN	GEI	SONG CHUAN	GEI
842	LS1	842	LS1
842-1CC-3VDC	LS1-003-6H3D	842-1CC-5VDC	LS1-005-6H3D
842-1CC-6VDC	LS1-006-6H3D	842-1CC-9VDC	LS1-024-53S
842-1CC-12VDC	LS1-012-6H3D	842-1CC-24VDC	LS1-024-6H3D
842-1CS-3VDC	LS1-003-6H3S	842-1CS-5VDC	LS1-005-631S
842-1CS-6VDC	LS1-006-631S	842-1CS-9VDC	LS1-009-631S
842-1CS-12VDC	LS1-012-631S	842-1CS-24VDC	LS1-024-631S
SONG CHUAN	GEI	SONG CHUAN	GEI
842A	LS1	842A	LS1
842A-1CC-3VDC	LS1-003-5H3D	842A-1CC-5VDC	LS1-005-5H3D
842A-1CC-6VDC	LS1-006-5H3D	842A-1CC-9VDC	LS1-009-5H3D
842A-1CC-12VDC	LS1-012-5H3D	842A-1CC-24VDC	LS1-024-5H3D
842A-1CS-3VDC	LS1-003-5H3S	842A-1CS-5VDC	LS1-005-5H3S
842A-1CS-6VDC	LS1-006-5H3S	842A-1CS-9VDC	LS1-009-5H3S
842A-1CS-12VDC	LS1-012-5H3S	842A-1CS-24VDC	LS1-024-5H3S
SONG CHUAN	GEI	SONG CHUAN	GEI
843	GP2	843	GP2
843-1AC-3VDC	GP2-003-A10D	843-1AC-6VDC	GP2-006-A10D
843-1AC-9VDC	GP2-009-A10D	843-1AC-12VDC	GP2-012-A10D
843-1AC-24VDC	GP2-024-A10D	843-1CC-3VDC	GP2-003-C10D
843-1CC-6VDC	GP2-006-C10D	843-1CC-9VDC	GP2-009-C10D
843-1CC-12VDC	GP2-012-C10D	843-1CC-24VDC	GP2-024-C10D
843-1AS-3VDC	GP2-003-A10S	843-1AS-6VDC	GP2-006-A10S
843-1AS-9VDC	GP2-009-A10S	843-1AS-12VDC	GP2-012-A10S
843-1AS-24VDC	GP2-024-A10S	843-1CS-3VDC	GP2-003-C10S
843-1CS-6VDC	GP2-006-C10S	843-1CS-9VDC	GP2-009-C10S
843-1CS-12VDC	GP2-012-C10S	843-1CS-24VDC	GP2-024-C10S

Greenwich Electronics, Inc.

RELAY CROSS REFERENCE

SONG CHUAN	GEI	SONG CHUAN	GEI
845HN	CH	845HN	CH
845HN-1CC-3VDC	CH1-ED3F	845HN-1CC-5VDC	CH1-ED5F
845HN-1CC-6VDC	CH1-ED6F	845HN-1CC-12VDC	CH1-ED12F
845HN-1CC-24VDC	CH1-ED24F	845HN-1CC-48VDC	CH1-ED48F
845HN-1AC-3VDC	CH11-ED3F	845HN-1AC-5VDC	CH11-ED5F
845HN-1AC-6VDC	CH11-ED6F	845HN-1AC-12VDC	CH11-ED12F
845HN-1AC-24VDC	CH11-ED24F	845HN-1AC-48VDC	CH11-ED48F
845HN-1CS-3VDC	CH1-ED3S	845HN-1CS-5VDC	CH1-ED5S
845HN-1CS-6VDC	CH1-ED6S	845HN-1CS-12VDC	CH1-ED12S
845HN-1CS-24VDC	CH1-ED24S	845HN-1CS-48VDC	CH1-ED3S
845HN-1AS-3VDC	CH11-ED3S	845HN-1AS-5VDC	CH11-ED5S
845HN-1AS-6VDC	CH11-ED6S	845HN-1AS-12VDC	CH11-ED12S
845HN-1AS-24VDC	CH11-ED24S	845HN-1AS-48VDC	CH11-ED48S

SONG CHUAN	GEI	SONG CHUAN	GEI
845N	CH	845N	CH
845N-1CC-3VDC	CH1-HD3F	845N-1CC-5VDC	CH1-HD5F
845N-1CC-6VDC	CH1-HD6F	845N-1CC-12VDC	CH1-HD12F
845N-1CC-24VDC	CH1-HD24F	845N-1CC-48VDC	CH1-HD48F
845N-1AC-3VDC	CH11-HD3F	845N-1AC-5VDC	CH11-HD5F
845N-1AC-6VDC	CH11-HD6F	845N-1AC-12VDC	CH11-HD12F
845N-1AC-24VDC	CH11-HD24F	845N-1AC-48VDC	CH11-HD48F
845N-2CC-3VDC	CH2-MD3F	845N-2CC-5VDC	CH2-MD5F
845N-2CC-6VDC	CH2-MD6F	845N-2CC-12VDC	CH2-MD12F
845N-2CC-24VDC	CH2-MD24F	845N-2CC-48VDC	CH2-MD48F
845N-2AC-3VDC	CH22-MD3F	845N-2AC-5VDC	CH22-MD5F
845N-2AC-6VDC	CH22-MD6F	845N-2AC-12VDC	CH22-MD12F
845N-2AC-24VDC	CH22-MD24F	845N-2AC-48VDC	CH22-MD48F
845N-1CS-3VDC	CH1-HD3S	845N-1CS-5VDC	CH1-HD5S
845N-1CS-6VDC	CH1-HD6S	845N-1CS-12VDC	CH1-HD12S
845N-1CS-24VDC	CH1-HD24S	845N-1CS-48VDC	CH1-HD48S
845N-1AS-3VDC	CH11-HD3S	845N-1AS-5VDC	CH11-HD5S
845N-1AS-6VDC	CH11-HD6S	845N-1AS-12VDC	CH11-HD12S
845N-1AS-24VDC	CH11-HD24S	845N-1AS-48VDC	CH11-HD48S
845N-2CS-3VDC	CH2-MD3S	845N-2CS-5VDC	CH2-MD5S
845N-2CS-6VDC	CH2-MD6S	845N-2CS-12VDC	CH2-MD12S
845N-2CS-24VDC	CH2-MD24S	845N-2CS-48VDC	CH2-MD48S
845N-2AS-3VDC	CH22-MD3S	845N-2AS-5VDC	CH22-MD5S
845N-2AS-6VDC	CH22-MD6S	845N-2AS-12VDC	CH22-MD12S
845N-2AS-24VDC	CH22-MD24S	845N-2AS-48VDC	CH22-MD48S

Greenwich Electronics, Inc.

RELAY CROSS REFERENCE

SONG CHUAN	GEI	SONG CHUAN	GEI
851	CW	851	CW
851-1CC-5VDC	CW1-M5S	851-1CS-5VDC	CW1-M5S
851-1CC-6VDC	CW1-M6S	851-1CS-6VDC	CW1-M6S
851-1CS-9VDC	CW1-M9S	851-1CC-9VDC	CW1-M9S
851-1CS-12VDC	CW1-M12S	851-1CC-12VDC	CW1-M12S
851-1CC-18VDC	CW1-M18S	851-1CS-18VDC	CW1-M18S
851-1CS-24VDC	CW1-M24S	851-1CC-24VDC	CW1-M24S
851-1CS-48VDC	CW1-M48S	851-1CC-48VDC	CW1-M48S
851-1AS-5VDC	CW11-M5S	851-1AC-5VDC	CW11-M5S
851-1AS-6VDC	CW11-M6S	851-1AC-6VDC	CW11-M6S
851-1AC-9VDC	CW11-M9S	851-1AS-9VDC	CW11-M9S
851-1AC-12VDC	CW11-M12S	851-1AS-12VDC	CW11-M12S
851-1AS-18VDC	CW11-M18S	851-1AC-18VDC	CW11-M18S
851-1AC-24VDC	CW11-M24S	851-1AS-24VDC	CW11-M24S
851-1AC-48VDC	CW11-M48S	851-1AS-48VDC	CW11-M48S
SONG CHUAN	GEI	SONG CHUAN	GEI
851N	CW	851N	CW
851N-1CS-5VDC	CW1-M5SH	851N-1CC-5VDC	CW1-M5SH
851N-1CC-6VDC	CW1-M6SH	851N-1CS-6VDC	CW1-M6SH
851N-1CC-9VDC	CW1-M9SH	851N-1CS-9VDC	CW1-M9SH
851N-1CS-12VDC	CW1-M12SH	851N-1CC-12VDC	CW1-M12SH
851N-1CC-18VDC	CW1-M18SH	851N-1CS-18VDC	CW1-M18SH
851N-1CC-24VDC	CW1-M24SH	851N-1CS-24VDC	CW1-M24SH
851N-1CS-48VDC	CW1-M48SH	851N-1CC-48VDC	CW1-M48SH
851N-1AC-5VDC	CW11-M5SH	851N-1AS-5VDC	CW11-M5SH
851N-1AS-6VDC	CW11-M6SH	851N-1AC-6VDC	CW11-M6SH
851N-1AC-9VDC	CW11-M9SH	851N-1AS-9VDC	CW11-M9SH
851N-1AC-12VDC	CW11-M12SH	851N-1AS-12VDC	CW11-M12SH
851N-1AS-18VDC	CW11-M18SH	851N-1AC-18VDC	CW11-M18SH
851N-1AC-24VDC	CW11-M24SH	851N-1AC-48VDC	CW11-M48SH
SONG CHUAN	GEI	SONG CHUAN	GEI
851N	LD2	851N	LD2
851N-1AS-24VDC	LD2-024-AHS	851N-1AS-48VDC	LD2-003-CHS

Greenwich Electronics, Inc.

RELAY CROSS REFERENCE

SONG CHUAN	GEI	SONG CHUAN	GEI
876N	LS3	876N	LS3
876N-22CS-6VDC	LS3-006-S	876N-22CS-9VDC	LS3-009-S
876N-22CS-12VDC	LS3-012-S	876N-22CS-24VDC	LS3-024-S
876N-22CS-48VDC	LS3-048-S		
SONG CHUAN	GEI	SONG CHUAN	GEI
SCLA	GP8	SCLA	GP8
SCLA-P-SPDT-C-6VDC	GP8-006D-1CPC	SCLA-P-SPDT-C-12VDC	GP8-012D-1CPC
SCLA-P-SPDT-C-24VDC	GP8-024D-1CPC	SCLA-P-SPDT-C-48VDC	GP8-048D-1CPC
SCLA-P-SPDT-C-110VDC	GP8-100/110D-1CPC	SCLA-S-SPDT-C-6VDC	GP8-006D-1CPL
SCLA-S-SPDT-C-12VDC	GP812-1CPL	SCLA-S-SPDT-C-24VDC	GP8-024D-1CPL
SCLA-S-SPDT-C-48VDC	GP8-048D-1CPL	SCLA-S-SPDT-C-110VDC	GP8-100/110D-1CPL
SCLA-S-SPDT-C1-6VDC	GP8-006D-1CTM	SCLA-S-SPDT-C1-12VDC	GP8-012D-1CTM
SCLA-S-SPDT-C1-24VDC	GP8-024D-1CTM	SCLA-S-SPDT-C1-48VDC	GP8-048D-1CTM
SCLA-S-SPDT-C1-110VDC	GP8-100/110D-1CTM	SCLA-P-SPDT-C-12VAC	GP8-012A-1CPC
SCLA-P-SPDT-C-24VAC	GP8-024A-1CPC	SCLA-P-SPDT-C-120VAC	GP8-110/120A-1CPC
SCLA-P-SPDT-C-240VAC	GP8-220/240A-1CPC	SCLA-S-SPDT-C-12VAC	GP8-012A-1CPL
SCLA-S-SPDT-C-24VAC	GP8-024A-1CPL	SCLA-S-SPDT-C-120VAC	GP8-110/120A-1CPL
SCLA-S-SPDT-C-240VAC	GP8-220/240A-1CPL	SCLA-S-SPDT-C1-12VAC	GP8-012A-1CTM
SCLA-S-SPDT-C1-24VAC	GP8-024A-1CTM	SCLA-S-SPDT-C1-120VAC	GP8-110/120A-1CTM
SCLA-S-SPDT-C1-240VAC	GP8-220/240A-1CTM	SCL-1-DPDT-6VDC	GP8-006D-2CPC
SCL-1-DPDT-12VDC	GP8-012D-2CPC	SCL-1-DPDT-24VDC	GP8-024D-2CPC
SCL-1-DPDT-48VDC	GP8-048D-2CPC	SCL-1-DPDT-110VDC	GP8-100/110D-2CPC
SCL-DPDT-6VDC	GP8-006D-2CPL	SCL-DPDT-12VDC	GP8-012D-2CPL
SCL-DPDT-24VDC	GP8-024D-2CPL	SCL-DPDT-48VDC	GP8-048D-2CPL
SCL-DPDT-110VDC	GP8-100/110D-2CPL	SCL-DPDT-C1-6VDC	GP8-006D-2CTM
SCL-DPDT-C1-12VDC	GP8-012D-2CTM	SCL-DPDT-C1-24VDC	GP8-024D-2CTM
SCL-DPDT-C1-48VDC	GP8-048D-2CTM	SCL-DPDT-C1-110VDC	GP8-100/110D-2CTM
SCL-1-DPDT-12VAC	GP8-012A-2CPC	SCL-1-DPDT-24VAC	GP8-024A-2CPC
SCL-1-DPDT-120VAC	GP8-110/120A-2CPC	SCL-1-DPDT-240VAC	GP8-220/240A-2CPC
SCL-DPDT-12VAC	GP8-012A-2CPL	SCL-DPDT-24VAC	GP8-024A-2CPL
SCL-DPDT-120VAC	GP8-110/120A-2CPL	SCL-DPDT-240VAC	GP8-220/240A-2CPL
SCL-DPDT-C1-12VAC	GP8-012A-2CTM	SCL-DPDT-C1-24VAC	GP8-024A-2CTM
SCL-DPDT-C1-120VAC	GP8-110/120A-2CTM	SCL-DPDT-C1-240VAC	GP8-220/240A-2CTM

Greenwich Electronics, Inc.

RELAY CROSS REFERENCE

SONG CHUAN	GEI	SONG CHUAN	GEI
SCLB	LD5	SCLB	LD5
SCLB-P-DPDT-C-6VDC	LD5-006D-2CPC	SCLB-P-DPDT-C-12VDC	LD5-012D-2CPC
SCLB-P-DPDT-C-24VDC	LD5-024D-2CPC	SCLB-P-DPDT-C-48VDC	LD5-048D-2CPC
SCLB-P-DPDT-C-110VDC	LD5-100/110D-2CPC	SCLB-W-DPDT-C-6VDC	LD5-006D-2CPL
SCLB-W-DPDT-C-12VDC	LD5-012D-2CPL	SCLB-W-DPDT-C-24VDC	LD5-024D-2CPL
SCLB-W-DPDT-C-48VDC	LD5-048D-2CPL	SCLB-W-DPDT-C-110VDC	LD5-100/110D-2CPL
SCLB-W-DPDT-C1-6VDC	LD5-006D-2CTM	SCLB-W-DPDT-C1-12VDC	LD5-012D-2CTM
SCLB-W-DPDT-C1-24VDC	LD5-024D-2CTM	SCLB-W-DPDT-C1-48VDC	LD5-048D-2CTM
SCLB-W-DPDT-C1-110VDC	LD5-100/110D-2CTM	SCLB-PL-DPDT-C-6VDC	LD5-006D-2CPCD
SCLB-PL-DPDT-C-12VDC	LD5-012D-2CPCD	SCLB-PL-DPDT-C-24VDC	LD5-024D-2CPCD
SCLB-PL-DPDT-C-48VDC	LD5-048D-2CPCD	SCLB-PL-DPDT-C-110VDC	LD5-100/110D-2CPCD
SCLB-WL-DPDT-C-6VDC	LD5-006D-2CPLD	SCLB-WL-DPDT-C-12VDC	LD5-012D-2CPLD
SCLB-WL-DPDT-C-24VDC	LD5-024D-2CPLD	SCLB-WL-DPDT-C-48VDC	LD5-048D-2CPLD
SCLB-WL-DPDT-C-110VDC	LD5-100/110D-2CPLD	SCLB-P-DPDT-C-6VAC	LD5-006A-2CPC
SCLB-P-DPDT-C-12VAC	LD5-012A-2CPC	SCLB-P-DPDT-C-24VAC	LD5-024A-2CPC
SCLB-P-DPDT-C-48VAC	LD5-048A-2CPC	SCLB-P-DPDT-C-120VAC	LD5-110/120A-2CPC
SCLB-P-DPDT-C-240VAC	LD5-220/240A-2CPC	SCLB-W-DPDT-C-6VAC	LD5-006A-2CPL
SCLB-W-DPDT-C-12VAC	LD5-012A-2CPL	SCLB-W-DPDT-C-24VAC	LD5-024A-2CPL
SCLB-W-DPDT-C-48VAC	LD5-048A-2CPL	SCLB-W-DPDT-C-120VAC	LD5-110/120A-2CPL
SCLB-W-DPDT-C-240VAC	LD5-220/240A-2CPL	SCLB-W-DPDT-C1-6VAC	LD5-006A-2CTM
SCLB-W-DPDT-C1-12VAC	LD5-012A-2CTM	SCLB-W-DPDT-C1-24VAC	LD5-024A-2CTM
SCLB-W-DPDT-C1-48VAC	LD5-048A-2CTM	SCLB-W-DPDT-C1-120VAC	LD5-110/120A-2CTM
SCLB-W-DPDT-C1-240VAC	LD5-220/240A-2CTM	SCLB-PL-DPDT-C-6VAC	LD5-006A-2CPCD
SCLB-PL-DPDT-C-12VAC	LD5-012A-2CPCD	SCLB-PL-DPDT-C-24VAC	LD5-024A-2CPCD
SCLB-PL-DPDT-C-48VAC	LD5-048A-2CPCD	SCLB-PL-DPDT-C-120VAC	LD5-110/120A-2CPCD
SCLB-PL-DPDT-C-240VAC	LD5-220/240A-2CPCD	SCLB-WL-DPDT-C-6VAC	LD5-006A-2CPLD
SCLB-WL-DPDT-C-12VAC	LD5-012A-2CPLD	SCLB-WL-DPDT-C-24VAC	LD5-024A-2CPLD
SCLB-WL-DPDT-C-48VAC	LD5-048A-2CPLD	SCLB-WL-DPDT-C-120VAC	LD5-110/120A-2CPLD
SCLB-WL-DPDT-C-240VAC	LD5-220/240A-2CPLD		

SONG CHUAN	GEI	SONG CHUAN	GEI
SCLD	LD5	SCLD	LD5
SCLD-P-4PDT-C-6VDC	LD5-006D-4CPC	SCLD-P-4PDT-C-12VDC	LD5-012D-4CPC
SCLD-P-4PDT-C-24VDC	LD5-024D-4CPC	SCLD-P-4PDT-C-48VDC	LD5-048D-4CPC
SCLD-P-4PDT-C-110VDC	LD5-100/110D-4CPC	SCLD-W-4PDT-C-6VDC	LD5-006D-4CPL
SCLD-W-4PDT-C-12VDC	LD5-012D-4CPL	SCLD-W-4PDT-C-24VDC	LD5-024D-4CPL
SCLD-W-4PDT-C-48VDC	LD5-048D-4CPL	SCLD-W-4PDT-C-110VDC	LD5-100/110D-4CPL
SCLD-W-4PDT-C1-6VDC	LD5-006D-4CTM	SCLD-W-4PDT-C1-12VDC	LD5-012D-4CTM
SCLD-W-4PDT-C1-24VDC	LD5-024D-4CTM	SCLD-W-4PDT-C1-48VDC	LD5-048D-4CTM
SCLD-W-4PDT-C1-110VDC	LD5-100/110D-4CTM	SCLD-PL-4PDT-C-6VDC	LD5-006D-4CPCD
SCLD-PL-4PDT-C-12VDC	LD5-012D-4CPCD	SCLD-PL-4PDT-C-24VDC	LD5-024D-4CPCD
SCLD-PL-4PDT-C-48VDC	LD5-048D-4CPCD	SCLD-PL-4PDT-C-110VDC	LD5-100/110D-4CPCD

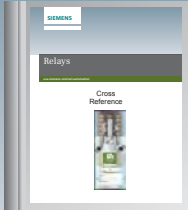
Greenwich Electronics, Inc.

RELAY CROSS REFERENCE

SCLD-WL-4PDT-C-6VDC	LD5-006D-4CPLD	SCLD-WL-4PDT-C-12VDC	LD5-012D-4CPLD
SCLD-WL-4PDT-C-24VDC	LD5-024D-4CPLD	SCLD-WL-4PDT-C-48VDC	LD5-048D-4CPLD
SCLD-WL-4PDT-C-110VDC	LD5-100/110D-4CPLD	SCLD-P-4PDT-C-6VAC	LD5-006A-4CPC
SCLD-P-4PDT-C-12VAC	LD5-012A-4CPC	SCLD-P-4PDT-C-24VAC	LD5-024A-4CPC
SCLD-P-4PDT-C-48VAC	LD5-048A-4CPC	SCLD-P-4PDT-C-120VAC	LD5-110/120A-4CPC
SCLD-P-4PDT-C-240VAC	LD5-220/240A-4CPC	SCLD-W-4PDT-C-6VAC	LD5-006A-4CPL
SCLD-W-4PDT-C-12VAC	LD5-012A-4CPL	SCLD-W-4PDT-C-24VAC	LD5-024A-4CPL
SCLD-W-4PDT-C-48VAC	LD5-048A-4CPL	SCLD-W-4PDT-C-120VAC	LD5-110/120A-4CPL
SCLD-W-4PDT-C-240VAC	LD5-220/240A-4CPL	SCLD-W-4PDT-C1-6VAC	LD5-006A-4CTM
SCLD-W-4PDT-C1-12VAC	LD5-012A-4CTM	SCLD-W-4PDT-C1-24VAC	LD5-024A-4CTM
SCLD-W-4PDT-C1-48VAC	LD5-048A-4CTM	SCLD-W-4PDT-C-120VAC	LD5-110/120A-4CTM
SCLD-W-4PDT-C-240VAC	LD5-220/240A-4CTM	SCLD-PL-4PDT-C-6VAC	LD5-006A-4CPCD
SCLD-PL-4PDT-C-12VAC	LD5-012A-4CPCD	SCLD-PL-4PDT-C-24VAC	LD5-024A-4CPCD
SCLD-PL-4PDT-C-48VAC	LD5-048A-4CPCD	SCLD-PL-4PDT-C-120VAC	LD5-110/120A-4CPCD
SCLD-PL-4PDT-C-240VAC	LD5-220/240A-4CPCD	SCLD-WL-4PDT-C-6VAC	LD5-006A-4CPLD
SCLD-WL-4PDT-C-12VAC	LD5-012A-4CPLD	SCLD-WL-4PDT-C-24VAC	LD5-024A-4CPLD
SCLD-WL-4PDT-C-48VAC	LD5-048A-4CPLD	SCLD-WL-4PDT-C-120VAC	LD5-110/120A-4CPLD
SCLD-WL-4PDT-C-240VAC	LD5-220/240A-4CPLD		

www.fotorele.com

Relay Products



Relays
Manufacturer's Cross Reference
F-IND-1 - F-IND-14



ST-1 Series
Biased Neutral, Regular Release,
Regular Pickup
F2 - F4



ST-1 Series
Biased Neutral, Regular Release,
Slow Pickup
F5



ST-1 Series
Biased Neutral, Slow Release,
Regular Pickup
F6 - F7



ST-1 Series
Lamp Control, Regular Release,
Regular Pickup
F7



ST-1 Series
Neutral Lights Out, Regular Release,
Regular Pickup
F8



ST-1 Series
Biased Neutral, Slow Release,
Regular Pickup
F9 - F11



ST-1 Series
Biased Neutral, Switch Overload,
Regular Release, Regular Pickup
F14



ST-1 Series
Biased Neutral, Slow Release,
Regular Pickup
F14



ST-1 Series
Flasher
F14



ST-1 Series
Code Responsive
F15



ST-1 Series
Track
F15



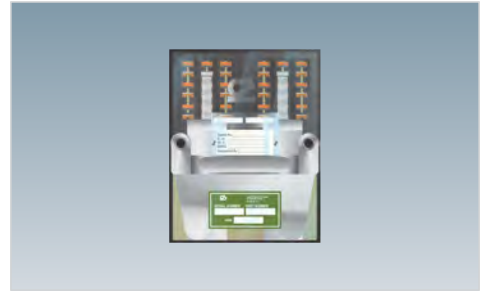
ST-1 Series
Magnetic Stick

F16



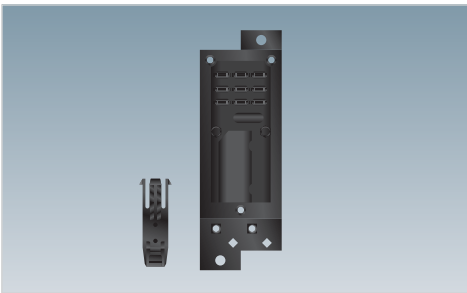
ST-1 Series
Power Transfer

F16



ST-2 Series
Vane

F16



Accessories
Socket Bases, Terminal Inserts,
Terminal Tabs

F18 - F20

www.fotorele.net

Manufacturer's Cross Reference

Relay Products	SIEMENS Part Number	Contact Arrangement	Relay Type	Collective Coil Resistance (measured in Ω)	Ansaldo® STS Part Number (Formerly Branded As Union Switch and Signal)	Alstom® Part Number (Formerly Branded As General Railway Signal)
	US2:400000	6FB Silver/Carbon (Standard Duty)	ST-1, Single Base Non Biased Neutral Regular Release Regular Pickup	500 Ω	N/A	A62-262
	US2:400001	6FB Silver/Carbon (Standard Duty)	ST-1, Single Base Non Biased Neutral Regular Release Regular Pickup	84 Ω	N/A	A62-295
	US2:400002	4FB Silver/Carbon 2F Silver/Carbon 1B Silver (Standard Duty)	ST-1, Single Base Non Biased Neutral Regular Release Regular Pickup	1800 Ω	N/A	A62-318
	US2:400003	4FB Silver/Carbon 2F Silver/Carbon 1B Silver (Standard Duty)	ST-1, Single Base Non Biased Neutral Regular Release Regular Pickup	900 Ω	N/A	A62-308
	US2:400004	4FB Silver/Carbon 2F Silver/Carbon 1B Silver (Standard Duty)	ST-1, Single Base Non Biased Neutral Regular Release Regular Pickup	500 Ω	N/A	A62-277
	US2:400005	6FB Silver/Carbon (Standard Duty)	ST-1, Single Base Non Biased Neutral Regular Release Regular Pickup	500 Ω	N/A	A62-741
	US2:400006	4F Silver/Carbon 2B Silver (Standard Duty)	ST-1, Single Base Non Biased Neutral Regular Release Regular Pickup	350 Ω	N/A	A62-300
	US2:400007	4FB Silver/Carbon 2F Silver/Carbon 1B Silver (Standard Duty)	ST-1, Single Base Non Biased Neutral Regular Release Regular Pickup	350 Ω	N/A	A62-306
	US2:400008	4FB Silver/Carbon 2F Silver/Carbon 1B Silver (Standard Duty)	ST-1, Single Base Non Biased Neutral Regular Release Regular Pickup	500 Ω	N/A	N/A

Manufacturer's Cross Reference

SIEMENS Part Number	Contact Arrangement	Relay Type	Collective Coil Resistance (measured in Ω)	Ansaldo® STS Part Number (Formerly Branded As Union Switch and Signal)	Alstom® Part Number (Formerly Branded As General Railway Signal)
US2:400010	6FB Silver/Carbon (Standard Duty)	ST-1, Single Base Non Biased Neutral Track	4 Ω	N/A	A62-261
US2:400011	4FB Silver/Carbon 2F Silver/Carbon 1B Silver (Standard Duty)	ST-1, Single Base Non Biased Neutral Track	4 Ω	N/A	A62-276
US2:400012	4FB Silver/Carbon 2F Silver/Carbon 1B Silver (Standard Duty)	ST-1, Single Base Non Biased Neutral Track	1.8 Ω	N/A	A62-275
US2:400013	6FB Silver/Carbon (Standard Duty)	ST-1, Single Base Non Biased Neutral Track	1.8 Ω	N/A	A62-260
US2:400014	4FB Silver/Carbon 2F Silver/Carbon 1B Silver (Standard Duty)	ST-1, Single Base Non Biased Neutral Slow Release Regular Pickup	50 Ω	N/A	A62-315
US2:400015	4FB Silver/Carbon 2F Silver/Carbon 1B Silver (Standard Duty)	ST-1, Single Base Non Biased Neutral Regular Release Regular Pickup	100 Ω	N/A	A62-319
US2:400016	2FB Silver/Carbon (Standard Duty) 5F Silver/Carbon 1B Silver (Heavy Duty)	ST-1, Single Base Lamp Control Regular Release Regular Pickup	450/450 Ω	N/A	N/A
US2:400017	6FB Silver/Carbon (Standard Duty)	ST-1, Single Base Non Biased Neutral Regular Release Regular Pickup	900 Ω	N/A	A62-296
US2:400020	4FB Silver/Carbon 2F Silver/Carbon 1B Silver (Heavy Duty)	ST-1, Single Base Non Biased Neutral Regular Release Regular Pickup	500 Ω	N/A	A62-310

Manufacturer's Cross Reference

Relay Products	SIEMENS Part Number	Contact Arrangement	Relay Type	Collective Coil Resistance (measured in Ω)	Ansaldo® STS Part Number (Formerly Branded As Union Switch and Signal)	Alstom® Part Number (Formerly Branded As General Railway Signal)
	US2:400021	2FB Silver/Carbon (Standard Duty) 2B Silver (Heavy Duty)	ST-1, Single Base Lamp Control Regular Release Regular Pickup	200 Ω	N/A	A62-205
	US2:400022	4FB Silver/Carbon 2F Silver/Carbon 1B Silver (Heavy Duty)	ST-1, Single Base Non Biased Neutral Regular Release Regular Pickup	900 Ω	N/A	A62-311
	US2:400023	6FB SCdO (Heavy Duty)	ST-1, Single Base Non Biased Neutral Regular Release Regular Pickup	500 Ω	N/A	A62-580
	US2:400025	4FB SCdO (Heavy Duty)	ST-1, Single Base Switch Control Neutral Regular Release Regular Pickup	500 Ω	N/A	A62-427
	US2:400026	6FB Silver/Carbon (Heavy Duty)	ST-1, Single Base Non Biased Neutral Regular Release Regular Pickup	900 Ω	N/A	N/A
	US2:400027	4FB Silver/Carbon 2F Silver/Carbon 1B Silver (Heavy Duty)	ST-1, Single Base Non Biased Neutral Regular Release Regular Pickup	350 Ω	N/A	A62-309
	US2:400028	6FB Silver/Carbon (Standard Duty)	ST-1, Single Base Non Biased Neutral Regular Release Regular Pickup	60 Ω	N/A	A62-557
	US2:400029	4FB Silver 2F Silver 1B Silver (Heavy Duty)	ST-1, Single Base Non Biased Neutral Regular Release Regular Pickup	500 Ω	N/A	N/A
	US2:400030	2FB Silver/Carbon 3F Silver/Carbon 3B Silver (Standard Duty)	ST-1, Single Base Non Biased Neutral Regular Release Regular Pickup	28.5 Ω	N/A	**A62-325

Manufacturer's Cross Reference

SIEMENS Part Number	Contact Arrangement	Relay Type	Collective Coil Resistance (measured in Ω)	Ansaldo® STS Part Number (Formerly Branded As Union Switch and Signal)	Alstom® Part Number (Formerly Branded As General Railway Signal)
US2:40031	4FB Silver/Carbon 2F Silver/Carbon 1B Silver (Standard Duty)	ST-1, Single Base Non Biased Neutral Regular Release Regular Pickup	84 Ω	N/A	**A62-305
US2:40070	4FB Silver/Carbon 2F Silver/Carbon 1B Silver (Standard Duty)	ST-1, Single Base Non Biased Neutral Regular Release Regular Pickup	135/60 Ω	N/A	**A62-335
US2:400100	6FB Silver/Carbon (Standard Duty)	ST-1, Single Base Non Biased Neutral Regular Release Slow Pickup	220 Ω	N/A	A62-345
US2:400101	4FB Silver/Carbon 2F Silver/Carbon 1B Silver (Standard Duty)	ST-1, Single Base Non Biased Neutral Slow Release Slow Pickup	300 Ω	N/A	A62-341
US2:400102	4FB Silver/Carbon 2F Silver/Carbon 1B Silver (Standard Duty)	ST-1, Single Base Non Biased Neutral Regular Release Slow Pickup	230 Ω	N/A	**A62-340
US2:400200	4FB Silver/Carbon (Standard Duty)	ST-1, Single Base Non Biased Neutral Slow Release Regular Pickup	194 Ω	N/A	A62-360
US2:400210	6FB Silver/Carbon (Standard Duty)	ST-1, Single Base Non Biased Neutral Slow Release Regular Pickup	194 Ω	N/A	A62-359
US2:400211	4FB Silver/Carbon 2F Silver/Carbon 1B Silver (Standard Duty)	ST-1, Single Base Non Biased Neutral Slow Release Regular Pickup	194 Ω	N/A	A62-357
US2:400212	4FB Silver/Carbon 2F Silver/Carbon 1B Silver (Standard Duty)	ST-1, Single Base Non Biased Neutral Slow Release Regular Pickup	194 Ω	N/A	A62-358

Manufacturer's Cross Reference

Relay Products	SIEMENS Part Number	Contact Arrangement	Relay Type	Collective Coil Resistance (measured in Ω)	Ansaldo® STS Part Number (Formerly Branded As Union Switch and Signal)	Alstom® Part Number (Formerly Branded As General Railway Signal)
	US2:400213	2FB Silver/Carbon (Standard Duty)	ST-1, Single Base Non Biased Neutral Slow Release Regular Pickup	460 Ω	N/A	A62-353
	US2:400220	2F Silver/Carbon 4B Silver (Standard Duty)	ST-1, Single Base Non Biased Neutral Slow Release Regular Pickup	80 Ω	N/A	A62-380
	US2:400221	2FB Silver/Carbon (Standard Duty)	ST-1, Single Base Non Biased Neutral Slow Release Regular Pickup	24 Ω	N/A	A62-365
	US2:400300	4FB Silver/Carbon (Standard Duty)	ST-1, Single Base Non Biased Neutral Regular Release Regular Pickup	450/12 Ω	N/A	N/A
	US2:400301	6FB Silver/Carbon (Standard Duty)	ST-1, Single Base Non Biased Neutral Regular Release Regular Pickup	450/2 Ω	N/A	N/A
	US2:400302	4FB Silver/Carbon (Standard Duty)	ST-1, Single Base Non Biased Neutral Regular Release Regular Pickup	450/069 Ω	N/A	N/A
	US2:400303	4FB Silver/Carbon (Standard Duty)	ST-1, Single Base Non Biased Neutral Regular Release Regular Pickup	.24 Ω	N/A	N/A
	US2:400305	4FB Silver/Carbon (Standard Duty)	ST-1, Single Base Non Biased Neutral Regular Release Regular Pickup	450/45 Ω	N/A	N/A
	US2:400400	4FB Silver/Carbon 2F Silver/Carbon 1B Silver (Standard Duty)	ST-1, Single Base Non Biased Neutral Slow Release Slow Pickup	194 Ω	N/A	A62-350

Manufacturer's Cross Reference

SIEMENS Part Number	Contact Arrangement	Relay Type	Collective Coil Resistance (measured in Ω)	Ansaldo® STS Part Number (Formerly Branded As Union Switch and Signal)	Alstom® Part Number (Formerly Branded As General Railway Signal)
US2:400500	6FB Silver/Carbon (Standard Duty)	ST-1, Single Base Biased Neutral Regular Release Regular Pickup	500 Ω	N/A	A62-125
US2:400500-1	6FB Silver/Carbon (Standard Duty)	ST-1, Single Base Biased Neutral Regular Release Regular Pickup	2000 Ω	N/A	N/A
US2:400501	6FB Silver/Carbon (Standard Duty)	ST-1, Single Base Biased Neutral Regular Release Regular Pickup	63 Ω	N/A	A62-140
US2:400502	4FB Silver/Carbon 2F Silver/Carbon 1B Silver (Standard Duty)	ST-1, Single Base Biased Neutral Regular Release Regular Pickup	500 Ω	N/A	A62-122
US2:400503	2FB Silver/Carbon 4F Silver/Carbon 2B Silver (Standard Duty)	ST-1, Single Base Biased Neutral Regular Release Regular Pickup	1000 Ω	N/A	A62-552
US2:400504	4FB Silver/Carbon 2F Silver Carbon 1B Silver (Standard Duty)	ST-1, Single Base Biased Neutral Regular Release Regular Pickup	100 Ω	N/A	A62-126
US2:400505	6FB Silver (Heavy Duty)	ST-1, Single Base Biased Neutral Regular Release Regular Pickup	500 Ω	N/A	N/A
US2:400506	4FB Silver/Carbon 2F Silver/Carbon 1B Silver (Heavy Duty)	ST-1, Single Base Biased Neutral Regular Release Regular Pickup	500 Ω	N/A	N/A
US2:400506-1	4FB Silver/Carbon 2F Silver/Carbon 1B Silver (Heavy Duty)	ST-1, Single Base Biased Neutral Regular Release Regular Pickup	2000 Ω	N/A	N/A

Manufacturer's Cross Reference

Relay Products	SIEMENS Part Number	Contact Arrangement	Relay Type	Collective Coil Resistance (measured in Ω)	Ansaldo® STS Part Number (Formerly Branded As Union Switch and Signal)	Alstom® Part Number (Formerly Branded As General Railway Signal)
	US2:400507	5F Silver/Carbon 4B Silver (Standard Duty)	ST-1, Single Base Biased Neutral Regular Release Regular Pickup	4 Ω	N/A	A62-637
	US2:400508	5F Silver/Carbon 4B Silver (Standard Duty)	ST-1, Single Base Biased Neutral Regular Release Regular Pickup	1 Ω	N/A	A62-639
	US2:400509	2FB Silver/Carbon 4F Silver/Carbon 2B Silver (Heavy Duty)	ST-1, Single Base Biased Neutral Regular Release Regular Pickup	2100 Ω	N/A	A62-665
	US2:400509-M	2FB Silver/Carbon 4F Silver/Carbon 2B Silver (Heavy Duty)	ST-1, Single Base Biased Neutral Regular Release Regular Pickup	2100 Ω	N/A	N/A
	US2:400509-K	2FB Silver/Carbon 4F Silver/Carbon 2B Silver (Heavy Duty)	ST-1, Single Base Biased Neutral Regular Release Regular Pickup	2100 Ω	N/A	N/A
	US2:400510	4FB Silver/Carbon 2F Silver/Carbon 1B Silver (Standard Duty)	ST-1, Single Base Biased Neutral Regular Release Regular Pickup	2 Ω	N/A	A62-120
	US2:400511	4FB Silver/Carbon (Standard Duty)	ST-1, Single Base Biased Neutral	.5 Ω	N/A	A62-118
	US2:400512	6FB Silver/Carbon (Standard Duty)	ST-1, Single Base Biased Neutral Regular Release Regular Pickup	2 Ω	N/A	A62-654
	US2:400513	2FB Silver/Carbon 3F Silver/Carbon 3B Silver (Standard Duty)	ST-1, Single Base Biased Neutral Regular Release Regular Pickup	1000 Ω	N/A	A62-722

Manufacturer's Cross Reference

SIEMENS Part Number	Contact Arrangement	Relay Type	Collective Coil Resistance (measured in Ω)	Ansaldo® STS Part Number (Formerly Branded As Union Switch and Signal)	Alstom® Part Number (Formerly Branded As General Railway Signal)
US2:400515	5F Silver/Carbon 4B Silver (Standard Duty)	ST-1, Single Base Biased Neutral *	.5 Ω	N/A	A62-633
US2:400516	6FB Silver/Carbon (Standard Duty)	ST-1, Single Base Biased Neutral Regular Release Regular Pickup	800 Ω	322500-702	N/A
US2:400517	4FB Silver/Carbon (Standard Duty)	ST-1, Single Base Biased Neutral **	2000 Ω	N/A	N/A
US2:400518	4FB Silver/Carbon (Standard Duty)	ST-1, Single Base Biased Neutral **	2 Ω	N/A	N/A
US2:400519	2FB Silver/Carbon 4F Silver/Carbon 2B Silver (Standard Duty)	ST-1, Single Base Biased Neutral Regular Release Regular Pickup	2100 Ω	N/A	N/A
US2:400520	2F SCdO 2B SCdO Mag Blowout (Extra Heavy Duty)	ST-1, Single Base Biased Neutral ***	500 Ω	N/A	A62-429
US2:400520-1	2F SCdO 2B SCdO Mag Blowout (Extra Heavy Duty)	ST-1, Single Base Biased Neutral Regular Release Regular Pickup ***	1000 Ω	N/A	N/A
US2:400521	6FB Silver/Carbon (Standard Duty)	ST-1, Single Base Biased Neutral Regular Release Regular Pickup	4 Ω	N/A	A62-682
US2:400522	4FB Silver/Carbon 2F Silver/Carbon 1B Silver (Standard Duty)	ST-1, Single Base Biased Neutral Regular Release Regular Pickup	.5 Ω	N/A	A62-646

* Track relay high D.A. / P.V. ratio .5 Ω

** High D.A. / P.V. ratio

*** Switch control, regular release, regular pickup

Manufacturer's Cross Reference

Relay Products	SIEMENS Part Number	Contact Arrangement	Relay Type	Collective Coil Resistance (measured in Ω)	Ansaldo® STS Part Number (Formerly Branded As Union Switch and Signal)	Alstom® Part Number (Formerly Branded As General Railway Signal)
	US2:400523	2F SCdO Mag Blowout (Extra Heavy Duty) 1F SCdO 2B SCdO	ST-1, Single Base Biased Neutral Regular Release Regular Pickup	500 Ω	N/A	N/A
	US2:400524	4FB Silver 2F Silver 1B Silver (Heavy Duty)	ST-1, Single Base Biased Neutral Regular Release Regular Pickup	500 Ω	N/A	N/A
	US2:400525	4FB Silver/Carbon 2F Silver/Carbon 1B Silver (Heavy Duty)	ST-1, Single Base Biased Neutral Regular Release Regular Pickup	375 Ω	N/A	A62-131
	US2:400526	2FB Silver/Carbon 4F Silver/Carbon 2B Silver/Carbon (Heavy Duty)	ST-1, Single Base Biased Neutral Regular Release Regular Pickup	100 Ω	N/A	A62-608
	US2:400527	6FB Silver/Carbon (Standard Duty)	ST-1, Single Base Biased Neutral Regular Release Regular Pickup	100 Ω	N/A	A62-543
	US2:400528	6FB Silver/Carbon (Standard Duty)	ST-1, Single Base Biased Neutral Regular Release Regular Pickup	400 Ω	322500-701	N/A
	US2:400529	4FB Silver/Carbon (Heavy Duty) 2FB Silver (Standard Duty)	ST-1, Single Base Biased Neutral Regular Release Regular Pickup	400 Ω	322505-701	N/A
	US2:400530	6FB Silver/Carbon (Standard Duty)	ST-1, Single Base Biased Neutral Slow Release Regular Pickup	194 Ω	322503-702	N/A
	US2:400531	4FB Silver/Carbon 2F Silver/Carbon 1B Silver (Standard Duty)	ST-1, Single Base Biased Neutral Regular Release Regular Pickup	750 Ω	N/A	A62-132

Manufacturer's Cross Reference

SIEMENS Part Number	Contact Arrangement	Relay Type	Collective Coil Resistance (measured in Ω)	Ansaldo® STS Part Number (Formerly Branded As Union Switch and Signal)	Alstom® Part Number (Formerly Branded As General Railway Signal)
US2:400532	6FB Silver/Carbon (Standard Duty)	ST-1, Single Base Biased Neutral Regular Release Regular Pickup	2 Ω	322501-701	N/A
US2:400533	6FB Silver/Carbon (Standard Duty)	ST-1, Single Base Biased Neutral Regular Release Regular Pickup	250 Ω	N/A	A62-549
US2:400534	6FB Silver/Carbon (Standard Duty)	ST-1, Single Base Biased Neutral Regular Release Regular Pickup	1 Ω	N/A	**A62-550
US2:400535	4FB Silver/Carbon 2F Silver/Carbon 1B Silver (Standard Duty)	ST-1, Single Base Biased Neutral Regular Release Regular Pickup	63 Ω	N/A	**A62-130
US2:400540	6FB Silver/Carbon (Standard Duty)	ST-1, Single Base Biased Neutral Regular Release Slow Pickup	800 Ω	N/A	N/A
US2:400559	2FB Silver/Carbon 6F Silver (Heavy Duty)	ST-1, Single Base Biased Neutral Regular Release Regular Pickup	2100 Ω	N/A	N/A
US2:400600	2B Silver Mag Blowout (Extra Heavy Duty)	ST-1, Single Base Switch Overload Rating 12A High Volt Machine	.068/1225 Ω	N/A	A62-432
US2:400601	2CBO Silver/Carbon (Extra Heavy Duty)	ST-1, Single Base Switch Overload Rating 18A Low Volt Machine	.064/135 Ω	N/A	A62-430
US2:400602	2CBO Silver/Carbon (Extra Heavy Duty)	ST-1, Single Base Switch Overload 11.5A	.068/220 Ω	N/A	A62-545

Manufacturer's Cross Reference

Relay Products	SIEMENS Part Number	Contact Arrangement	Relay Type	Collective Coil Resistance (measured in Ω)	Ansaldo® STS Part Number (Formerly Branded As Union Switch and Signal)	Alstom® Part Number (Formerly Branded As General Railway Signal)
	US2:400604	2CBO Silver/Carbon (Extra Heavy Duty)	ST-1, Single Base Switch Overload Rating 7.5A	.125/135 Ω	N/A	N/A
	US2:400605	2CBO Silver/Carbon (Extra Heavy Duty)	ST-1, Single Base Switch Overload Rating 12A High Voltage Machine	.064/135 Ω	N/A	A62-431
	US2:400605-1	2CBO Silver/Carbon (Extra Heavy Duty)	ST-1, Single Base Switch Overload Regular Release Regular Pickup	.064/540 Ω	N/A	N/A
	US2:400700	4FB SCdO (Standard Duty)	ST-1, Single Base Flasher	60 Ω	N/A	A62-577
	US2:400700-XX	4FB SCdO (Standard Duty)	ST-1, Single Base Flasher	240 Ω	N/A	N/A
	US2:400700-1X	4FB SCdO (Standard Duty)	ST-1, Single Base Flasher	240 Ω	N/A	N/A
	US2:400700-7X	4FB SCdO (Standard Duty)	ST-1, Single Base Flasher	60 Ω	N/A	A62-197
	US2:400800	6FB Silver (Heavy Duty)	ST-1, Single Base Power Transfer Neutral Regular Release Regular Pickup	100/100 Ω	N/A	A62-406
	US2:400800-X	6FB Silver (Heavy Duty)	ST-1, Single Base Power Transfer Neutral Regular Release Regular Pickup	100/100 Ω	N/A	N/A

Manufacturer's Cross Reference

SIEMENS Part Number	Contact Arrangement	Relay Type	Collective Coil Resistance (measured in Ω)	Ansaldo® STS Part Number (Formerly Branded As Union Switch and Signal)	Alstom® Part Number (Formerly Branded As General Railway Signal)
US2:400801	6FB Silver/Carbon (Heavy Duty)	ST-1, Single Base Power Transfer Neutral Regular Release Regular Pickup	100/100 Ω	N/A	A62-579
US2:400801-X	6FB Silver/Carbon (Heavy Duty)	ST-1, Single Base Power Transfer Neutral Regular Release Regular Pickup	100/100 Ω	N/A	N/A
US2:400802	6FB Silver (Heavy Duty)	ST-1, Single Base Power Transfer Neutral Regular Release Regular Pickup	100/100 Ω	N/A	A62-579
US2:400802-X	6FB Silver (Heavy Duty)	ST-1, Single Base Power Transfer Neutral Regular Release Regular Pickup	100/100 Ω	N/A	N/A
US2:400900	4NR Silver/Carbon (Standard Duty)	ST-1, Single Base Magnetic Stick Regular Pickup	500 Ω	N/A	N/A
US2:400901	2NR Silver/Platinum (Standard Duty)	ST-1, Single Base Magnetic Stick Regular Pickup	26/26 Ω	N/A	N/A
US2:400904	4NR Silver/Carbon (Standard Duty)	ST-1, Single Base Magnetic Stick Regular Pickup	7 Ω	N/A	N/A
US2:400950	2FG Tungsten 2F Silver/Platinum 2B Tungsten (Standard Duty)	ST-1, Single Base Code Responsive	200 Ω	N/A	N/A
US2:400951	4FB Tungsten (Standard Duty)	ST-1, Single Base Code Responsive	80 Ω	N/A	A62-622

Manufacturer's Cross Reference

Relay Products	SIEMENS Part Number	Contact Arrangement	Relay Type	Collective Coil Resistance (measured in Ω)	Ansaldo® STS Part Number (Formerly Branded As Union Switch and Signal)	Alstom® Part Number (Formerly Branded As General Railway Signal)
	US2:400952	2NR Silver/Platinum (Standard Duty)	ST-1, Single Base Code Responsive	22/22 Ω	N/A	A62-600
	US2:400953	2FB Tungsten 2FB Silver/Platinum (Standard Duty)	ST-1, Single Base Code Responsive	80 Ω	N/A	A62-598
	US2:400954	4FB Silver/Tungsten (Standard Duty)	ST-1, Single Base Code Responsive	80 Ω	N/A	N/A
	US2:400955	4FB Silver/Platinum (Standard Duty)	ST-1, Single Base Code Responsive	80 Ω	N/A	A62-157
	US2:400956	2F Tungsten 2B Silver/Platinum (Standard Duty)	ST-1, Single Base Code Responsive	200 Ω	N/A	A62-595
	US2:400957	2FB Tungsten 2FB Silver/Platinum (Standard Duty)	ST-1, Single Base Code Responsive	200 Ω	N/A	N/A
	US2:450000	12FB Silver/Carbon (Standard Duty)	ST-1, Single Base Neutral Regular Release Regular Pickup	500 Ω	N/A	N/A
	US2:450001	8FB Silver/Carbon 2F Silver/Carbon Silver/Carbon (Extra Heavy Duty)	ST-1, Single Base Neutral Regular Release Regular Pickup	330 Ω	N/A	N/A
	US2:450200	12FB Silver/Carbon (Heavy Duty)	ST-2, Double Base Neutral Slow Release Regular Pickup	260 Ω	N/A	N/A
US2:450300	8FB Silver/Carbon 4F Silver/Carbon 2B Silver (Heavy Duty)	ST-2, Double Base Biased Neutral Regular Release Slow Pickup	800 Ω	N/A	N/A	

Manufacturer's Cross Reference

SIEMENS Part Number	Contact Arrangement	Relay Type	Collective Coil Resistance (measured in Ω)	Ansaldo® STS Part Number (Formerly Branded As Union Switch and Signal)	Alstom® Part Number (Formerly Branded As General Railway Signal)
US2:450500	12FB Silver/Carbon (Standard Duty)	ST-2, Double Base Biased Neutral Regular Release Regular Pickup	350 Ω	N/A	A62-150
US2:450501	8FB Silver/Carbon 4F Silver/Carbon 2B Silver (Standard Duty)	ST-2, Double Base Biased Neutral Regular Release Regular Pickup	350 Ω	N/A	A62-145
US2:450502	8FB Silver/Carbon 4F Silver//Carbon 2B Silver (Standard Duty)	ST-2, Double Base Biased Neutral Regular Release Regular Pickup	800 Ω	N/A	N/A
US2:450900	6NR Silver/Carbon (Heavy Duty)	ST-2, Double Base Polar Regular Release Regular Pickup	250 Ω	N/A	A62-609
US2:450901	8FB Silver/Carbon (Heavy Duty)	ST-2, Double Base Polar Regular Release Regular Pickup	500 Ω	N/A	A62-391
US2:450902	4NR Silver/Carbon 2FB Silver/Carbon 2F Silver (Heavy Duty)	ST-2, Double Base Polar Regular Release Regular Pickup	250 Ω	N/A	A62-585
US2:450992	4F Silver/Carbon 4B Silver (Standard Duty)	ST-2, Double Base Vane Track Relay	Track .524 Ω Local 144 Ω	N/A	A62-547
US2:450993	4F Silver/Carbon 4B Silver (Standard Duty)	ST-2, Double Base Vane Track Relay	Track .4 Ω Local 67 Ω	N/A	A62-597
US2:450994	2F Silver/Carbon 2B Silver (Standard Duty)	ST-2, Double Base Vane Track Relay	Track 5 Ω Local 144 Ω	N/A	A62-548
US2:450994-N	2F Silver/Carbon 2B Silver (Standard Duty)	ST-2, Double Base Vane Track Relay	Track 5 Ω Local 144 Ω	N/A	N/A



ST
Series

Vital Relays

Overview



SIEMENS ST-1 frame relay shown for reference purposes only!
Actual unit selected may vary in mounting and features.

SIEMENS ST Series Vital Relays are compact plug-in circuit switching elements housed within a clear polycarbonate case for use in modern railway systems. These relays incorporate the required control characteristics as well as operating security for this application. ST-1 and ST-2 relays fit into size 1 and 2 sockets already in use commonly throughout the industry and select models are interchangeable with other manufacturers' existing types of relays as well.

Each relay carries a relay registration plate unique to that specific type. Sockets have like indexing pins to ensure insertion of the proper relay for each circuit function. All contact and coil connections are brought out through the base of the relay as spring prongs. The socket has wedge shaped plug insulators with flat metal terminals on both the upper and lower surfaces.

Relays are guided into the socket by two rods so that each pair of prongs engage their respective socket terminals, making a firm, low resistance contact. The socket terminals are available in either the solder or crimp types. Terminals are easily removed from the back of the socket for making wiring changes without unplugging the relay.

- Available in both ST-1 and ST-2 frame sizes
- Mounts easily in existing socket bases
- All ferrous metal parts are nickel plated
- All contacts are rated for 4 Amps / 30 Volts
- Meets or exceeds all applicable AREMA® specifications
- Contact support springs are phosphorous bronze, molded in phenolic blocks. Relays are provided with space for three such blocks.
- Normally open or front contacts are fine silver to silver impregnated carbon
- Normally closed or back contacts are fine silver to fine silver.
- Regular, heavy duty, extra heavy duty; tungsten, and magnetic arc suppressed contacts are available.
- Heavy armature provides for positive drop-away.
- Highly efficient magnetic structure, making routine calibration quick and easy.

Neutral Relay, Regular Release and Regular Pickup

SIEMENS Part Number	Contact Arrangement	Relay Type	Drop Away Current	Pickup / Working Current	Resistance / Tolerance	Relay Register Plate	Weight	List Price
US2:400000	6FB 4 A @ 30 V Standard Duty	ST-1 Line	5.7 mA 2.85 V Minimum	12.1 mA 6.05 V Maximum	10 - 12 VDC (2) Coils @ 250 Ω ± 5% Resistance Each Coil	1 - 2 - 9 - 14	8.0 lbs (3.63 kgs)	\$ 1,027.00
US2:400001	6FB 4 A @ 30 V Standard Duty	ST-1 Line	8.4 mA 0.71 V Minimum	19.5 mA 1.64 V Maximum	25 - 30 VDC (2) Coils @ 42 Ω ± 5% Resistance Each Coil	1 - 2 - 12 - 32	8.0 lbs (3.63 kgs)	\$ 1,371.00
US2:400002	4FB - 2F - 1B 4 A @ 30 V Standard Duty	ST-1 Line	1.5 mA 2.70 V Minimum	4.7 mA 8.46 V Maximum	10 - 12 VDC (2) Coils @ 900 Ω ± 5% Resistance Each Coil	1 - 2 - 22 - 27	8.0 lbs (3.63 kgs)	\$ 1,107.00
US2:400003	4FB - 2F - 1B 4 A @ 30 V Standard Duty	ST-1 Line	4.0 mA 3.60 V Minimum	8.4 mA 7.56 V Maximum	10 - 12 VDC (2) Coils @ 450 Ω ± 5% Resistance Each Coil	1 - 2 - 3 - 11	8.0 lbs (3.63 kgs)	\$ 1,017.00
US2:400004	4FB - 2F - 1B 4 A @ 30 V Standard Duty	ST-1 Line	5.7 mA 2.85 V Minimum	12.1 mA 6.05 V Maximum	10 - 12 VDC (2) Coils @ 250 Ω ± 5% Resistance Each Coil	1 - 2 - 3 - 11	8.0 lbs (3.63 kgs)	\$ 1,066.00
US2:400005	6FB 4 A @ 30 V Standard Duty	ST-1 Line	4.8 mA 2.40 V Minimum	15.7 mA 7.85 V Maximum	10 - 12 VDC (2) Coils @ 250 Ω ± 5% Resistance Each Coil	1 - 4 - 6 - 15	8.0 lbs (3.63 kgs)	\$ 1,066.00
US2:400006	4F - 2B 4 A @ 30 V Standard Duty	ST-1 Line	4.5 mA 1.58 V Minimum	8.6 mA 3.01 V Maximum	10 - 12 mADC (2) Coils @ 175 Ω ± 5% Resistance Each Coil	1 - 2 - 11 - 30	8.0 lbs (3.63 kgs)	\$ 1,128.00
US2:400007	4FB - 2F - 1B 4 A @ 30 V Standard Duty	ST-1 Line	6.2 mA 2.17 V Minimum	13.7 mA 4.80 V Maximum	10 - 12 VDC (2) Coils @ 175 Ω ± 5% Resistance Each Coil	1 - 2 - 3 - 11	8.0 lbs (3.63 kgs)	\$ 1,255.00
US2:400008	4FB - 2F - 1B 4 A @ 30 V Standard Duty	ST-1 Line	5.4 mA 2.70 V Minimum	12.1 mA 6.05 V Maximum	7.60 VDC (2) Coils @ 250 Ω ± 5% Resistance Each Coil	1 - 3 - 9 - 30	8.0 lbs (3.63 kgs)	\$ 1,267.00

Neutral Relay, Regular Release and Regular Pickup

Relay Products	SIEMENS Part Number	Contact Arrangement	Relay Type	Drop Away Current	Pickup / Working Current	Resistance / Tolerance	Relay Register Plate	Weight	List Price
	US2:400010	6FB 4 A @ 30 V Standard Duty	ST-1 Track	52.0 mA 0.21 V Minimum	89.0 mA 0.36 V Maximum	100 - 120 mADC (2) Coils @ 2 Ω ± 5% Resistance Each Coil	1 - 2 - 3 - 26	8.0 lbs (3.63 kgs)	\$ 1,623.00
	US2:400011	4FB - 2F - 1B 4 A @ 30 V Standard Duty	ST-1 Track	52.0 mA 0.21 V Minimum	89.0 mA 0.36 V Maximum	100 - 120 mADC (2) Coils @ 2 Ω ± 5% Resistance Each Coil	1 - 2 - 3 - 15	8.0 lbs (3.63 kgs)	\$ 1,247.00
	US2:400012	4FB - 2F - 1B 4 A @ 30 V Standard Duty	ST-1 Track	75.0 mA 0.14 V Minimum	130.0 mA 0.24 V Maximum	150 - 160 mADC (2) Coils @ 0.09 Ω ± 5% Resistance Each Coil	1 - 2 - 3 - 15	8.0 lbs (3.63 kgs)	\$ 1,568.00
	US2:400013	6FB 4 A @ 30 V Standard Duty	ST-1 Track	78.0 mA 0.14 V Minimum	130 mA 0.24 V Maximum	150 - 160 mADC (2) Coils @ 0.9 Ω ± 5% Resistance Each Coil	1 - 2 - 3 - 26	8.0 lbs (3.63 kgs)	\$ 1,301.00
	US2:400015	4FB - 2F - 1B 4 A @ 30 V Standard Duty	ST-1 Line	10.5 mA 1.05 V Minimum	19.2 mA 1.92 V Maximum	10 - 12 mADC (2) Coils @ 50 Ω ± 5% Resistance Each Coil	1 - 2 - 3 - 15	8.0 lbs (3.63 kgs)	\$ 1,406.00
	US2:400017	6FB 4 A @ 30 V Standard Duty	ST-1 Line	4.0 mA 3.60 V Minimum	8.4 mA 7.56 V Maximum	10 - 12 VDC (2) Coils @ 450 Ω ± 5% Resistance Each Coil	1 - 2 - 9 - 14	8.0 lbs (3.63 kgs)	\$ 1,408.00
	US2:400020	4FB - 2F - 1B 15 A @ 30 V Heavy Duty	ST-1 Line	5.7 mA 2.85 V Minimum	12.1 mA 6.05 V Maximum	10 - 12 VDC (2) Coils @ 250 Ω ± 5% Resistance Each Coil	1 - 2 - 15 - 31	8.0 lbs (3.63 kgs)	\$ 1,066.00
	US2:400022	4FB - 2F - 1B 15 A @ 30 V Heavy Duty	ST-1 Line	4.0 mA 3.60 V Minimum	9.2 mA 8.28 V Maximum	10 - 12 VDC (2) Coils @ 450 Ω ± 5% Resistance Each Coil	1 - 2 - 3 - 11	8.0 lbs (3.63 kgs)	\$ 1,272.00
	US2:400023	6FB 15 A @ 30 V Heavy Duty	ST-1 Line	3.4 mA 1.70 V Minimum	16.5 mA 8.25 V Maximum	10 - 12 VDC (2) Coils @ 250 Ω ± 5% Resistance Each Coil	1 - 3 - 9 - 23	8.0 lbs (3.63 kgs)	\$ 1,066.00

Neutral Relay, Regular Release and Regular Pickup

SIEMENS Part Number	Contact Arrangement	Relay Type	Drop Away Current	Pickup / Working Current	Resistance / Tolerance	Relay Register Plate	Weight	List Price
US2:400026	6FB 15 A @ 30 V Heavy Duty	ST-1 Line	4.0 mA 3.60 V Minimum	9.2 mA 8.28 V Maximum	10 - 12 VDC (2) Coils @ 450 Ω ± 5% Resistance Each Coil	1 - 2 - 5 - 11	8.0 lbs (3.63 kgs)	\$ 1,722.00
US2:400027	4FB - 2F - 1B 15 A @ 30 V Heavy Duty	ST-1 Line	6.2 mA 2.17 V Minimum	13.6 mA 4.76 V Maximum	10 - 12 VDC (2) Coils @ 175 Ω ± 5% Resistance Each Coil	1 - 2 - 15 - 31	8.0 lbs (3.63 kgs)	\$ 1,471.00
US2:400028	6FB 4 A @ 30 V Standard Duty	ST-1 Line	14.7 mA 0.88 V Minimum	33.0 mA 1.98 V Maximum	25 - 30 VDC (2) Coils @ 30 Ω ± 5% Resistance Each Coil	1 - 2 - 9 - 14	8.0 lbs (3.63 kgs)	\$ 1,095.00
US2:400029	4FB - 2F - 1B 15 A @ 30 V Heavy Duty	ST-1 Line	5.7 mA 2.85 V Minimum	12.1 mA 6.05 V Maximum	10 - 12 VDC (2) Coils @ 250 Ω ± 5% Resistance Each Coil	10 - 15 - 20 - 22	8.0 lbs (3.63 kgs)	\$ 1,204.00
US2:400030	2FB - 3F - 3B 4 A @ 30 V Standard Duty	ST-1 Line	95.0 mA 2.70 V Minimum	163.0 mA 4.65 V Maximum	6 VDC (2) Coils @ 900 Ω ± 5% Resistance Each Coil	1 - 4 - 9 - 11	8.0 lbs (3.63 kgs)	\$ 934.00
US2:400031	4FB - 2F - 1B 4 A @ 30 V Standard Duty	ST-1 Line	8.4 mA 0.71 V Minimum	19.5 mA 1.64 V Maximum	25 - 30 VDC (2) Coils @ 42 Ω ± 5% Resistance Each Coil	1 - 2 - 3 - 11	8.0 lbs (3.63 kgs)	\$ 1,690.00
US2:400070	4FB - 2F - 1B 4 A @ 30 V Standard Duty	ST-1 Line	36.0 mA Minimum	114 mA Maximum	10 - 12 VDC (2) Coils @ 65 Ω ± 5% Resistance Each Coil	1 - 5 - 7 - 32	8.0 lbs (3.63 kgs)	\$ 1,255.00
US2:450000	12FB 4 A @ 30 V Standard Duty	ST-2 Line	7.1 mA 3.55 V Minimum	11.4 mA 5.70 V Maximum	10 - 12 VDC (2) Coils @ 250 Ω ± 5% Resistance Each Coil	1 - 2 - 4 - 33	8.0 lbs (3.63 kgs)	\$ 2,659.00
US2:450001	8FB - 2F 4 A @ 30 V Extra Heavy Duty	ST-2 Line	11.4 mA 3.76 V Minimum	29.4 mA 9.70 V Maximum	10 - 12 VDC (2) Coils @ 165 Ω ± 5% Resistance Each Coil	1 - 2 - 10 - 12	8.0 lbs (3.63 kgs)	\$ 2,659.00

Neutral Relay, Regular Release and Slow Pickup

Relay Products	SIEMENS Part Number	Contact Arrangement	Relay Type	Drop Away Current	Pickup / Working Current	Resistance / Tolerance	Relay Register Plate	Weight	List Price
	US2:400100	6FB 4 A @ 30 V Standard Duty	ST-1 Line	20.0 mA 4.40 V Minimum	41.0 mA 9.00 V Maximum	10 - 12 VDC (1) Coil @ 220 Ω \pm 5% Resistance	1 - 2 - 5 - 24	8.0 lbs (3.63 kgs)	\$ 1,675.00
	US2:400101	4FB - 2F - 1B 4 A @ 30 V Standard Duty	ST-1 Line	16.0 mA 4.80 V Minimum	34.0 mA 10.20 V Maximum	10 - 12 VDC (1) Coil @ 300 Ω \pm 5% Resistance	1 - 2 - 11 - 33	8.0 lbs (3.63 kgs)	\$ 1,839.00

www.fotorele.net

Neutral Relay, Slow Release and Regular Pickup

SIEMENS Part Number	Contact Arrangement	Relay Type	Drop Away Current	Pickup / Working Current	Resistance / Tolerance	Relay Register Plate	Weight	List Price
US2:400014	4FB - 2F - 1B 4 A @ 30 V Standard Duty	ST-1 Line	13 mA 0.65 V Minimum	33.5 mA 1.68 V Maximum	50 mADC (2) Coils @ 25 Ω \pm 5% Resistance Each Coil	1 - 2 - 22 - 23	8.0 lbs (3.63 kgs)	\$ 1,588.00
US2:400200	4FB 4 A @ 30 V Standard Duty	ST-1 Line	5.0 mA 0.97 V Minimum	31.0 mA 6.00 V Maximum	10 - 12 VDC (1) Coil @ 194 Ω \pm 5% Resistance	1 - 2 - 10 - 25	8.0 lbs (3.63 kgs)	\$ 1,415.00
US2:400210	6FB 4 A @ 30 V Standard Duty	ST-1 Line	9.2 mA 1.78 V Minimum	35.0 mA 6.80 V Maximum	10 - 12 VDC (1) Coil @ 194 Ω \pm 5% Resistance	1 - 2 - 4 - 23	8.0 lbs (3.63 kgs)	\$ 1,623.00
US2:400211	4FB - 2F - 1B 4 A @ 30 V Standard Duty	ST-1 Line	9.2 mA 1.78 V Minimum	35.0 mA 6.80 V Maximum	10 - 12 VDC (1) Coil @ 194 Ω \pm 5% Resistance	1 - 2 - 12 - 14	8.0 lbs (3.63 kgs)	\$ 1,247.00
US2:400212	4FB - 2F - 1B 4 A @ 30 V Standard Duty	ST-1 Line	5.4 mA 1.05 V Minimum	33.5 mA 6.50 V Maximum	10 - 12 VDC (1) Coil @ 194 Ω \pm 5% Resistance	1 - 2 - 11 - 17	8.0 lbs (3.63 kgs)	\$ 1,568.00
US2:400213	2FB 4 A @ 30 V Standard Duty	ST-1 Line	1.4 mA 0.64 V Minimum	14.0 mA 6.44 V Maximum	10 - 12 VDC (1) Coil @ 460 Ω \pm 5% Resistance	1 - 2 - 16 - 28	8.0 lbs (3.63 kgs)	\$ 1,301.00
US2:400220	2F - 4B 4 A @ 30 V Standard Duty	ST-1 Line	6.5 mA 0.50 V Minimum	24.0 mA 1.90 V Maximum	10 - 12 VDC (2) Coils @ 80 Ω \pm 5% Resistance Each Coil	1 - 2 - 9 - 10	8.0 lbs (3.63 kgs)	\$ 1,576.00
US2:400221	2FB 4 A @ 30 V Standard Duty	ST-1 Line	6.0 mA 0.14 V Minimum	23.0 mA 0.55 V Maximum	Special Voltage (2) Coils @ 12 Ω \pm 5% Resistance Each Coil	1 - 3 - 4 - 25	8.0 lbs (3.63 kgs)	\$ 1,358.00
US2:450200	12FB 4 A @ 30 V Standard Duty	ST-2 Line	11.4 mA 2.96 V Minimum	23.1 mA 6.01 V Maximum	10 - 12 VDC (2) Coils @ 260 Ω \pm 5% Resistance Each Coil	1 - 3 - 6 - 24	8.0 lbs (3.63 kgs)	\$ 3,890.00

Neutral Lamp Control Relay, Regular Release and Regular Pickup

Relay Products	SIEMENS Part Number	Contact Arrangement	Relay Type	Drop Away Current	Pickup / Working Current	Resistance / Tolerance	Relay Register Plate	Weight	List Price
	US2:400016	2FB - 5F - 1B 20 A @ 16 V Heavy Duty	ST-1 Lamp Control	4.0 mA 3.60 V Minimum	9.2 mA 8.25 V Maximum	12 VDC (2) Coils @ 220 Ω \pm 5% Resistance Each Coil	1 - 3 - 19 - 21	8.0 lbs (3.63 kgs)	\$ 1,222.00
	US2:400021	2B 15 A @ 30 V Heavy Duty 2FB 4 A @ 30 V Standard Duty	ST-1 Lamp Control	6.5 mA 1.3 V Minimum	19.0 mA 3.80 V Maximum	10 - 12 VDC (2) Coils @ 100 Ω \pm 5% Resistance Each Coil	1 - 2 - 24 - 28	8.0 lbs (3.63 kgs)	\$ 1,255.00

www.fotorele.net

Neutral Light Out Relay, Regular Release and Regular Pickup

SIEMENS Part Number	Contact Arrangement	Relay Type	Drop Away Current	Pickup / Working Current	Resistance / Tolerance	Relay Register Plate	Weight	List Price
US2:400300	4FB 4 A @ 30 V Standard Duty	ST-1 Light Out	6.1 mA Minimum w/o Rectifier	11.5 mA Maximum w/o Rectifier	10 - 12 VDC / VAC w/ Rectifier (2) Coils @ 450 / 0.12 Ω ± 5% Resistance Each Coil	1 - 2 - 22 - 25	8.0 lbs (3.63 kgs)	\$ 1,223.00
US2:400301	6FB 4 A @ 30 V Standard Duty	ST-1 Light Out	8.0 mA Minimum w/o Rectifier	16.0 mA Maximum w/o Rectifier	10 - 12 VDC / VAC w/ Rectifier (2) Coils @ 450 / 0.20 Ω ± 5% Resistance Each Coil	1 - 2 - 8 - 28	8.0 lbs (3.63 kgs)	\$ 1,230.00
US2:400302	4FB 4 A @ 30 V Standard Duty	ST-1 Light Out	6.1 mA Minimum w/o Rectifier	11.5 mA Maximum w/o Rectifier	10 - 12 VDC / VAC w/ Rectifier (2) Coils @ 450 / 0.07 Ω ± 5% Resistance Each Coil	1 - 2 - 24 - 32	8.0 lbs (3.63 kgs)	\$ 1,553.00
US2:400303	4FB 4 A @ 30 V Standard Duty	ST-1 Light Out	360 mA Minimum w/o Rectifier	630 mA Maximum w/o Rectifier	10 - 12 VDC / VAC w/ Rectifier (2) Coils @ 0.12 Ω ± 5% Resistance Each Coil	1 - 2 - 15 - 18	8.0 lbs (3.63 kgs)	\$ 1,553.00
US2:400305	4FB 4 A @ 30 V Standard Duty	ST-1 Light Out	6.1 mA Minimum w/o Rectifier	13.6 mA Maximum w/o Rectifier	10 - 12 VDC / VAC w/ Rectifier (2) Coils @ 450 / 0.45 Ω ± 5% Resistance Each Coil	1 - 4 - 12 - 15	8.0 lbs (3.63 kgs)	\$ 1,212.00

Relay Products

 All Neutral Light Out Relays will require an external rectifier stack assembly (US2:400300-1X) in order to be used for AC lighting operations.

US2:400300-1X	External rectifier stack assembly for Neutral Light Out Relay assemblies (Includes hardware)	\$ 246.00
---------------	--	-----------

Biased Neutral, Regular Release and Regular Pickup

Relay Products	SIEMENS Part Number	Contact Arrangement	Relay Type	Drop Away Current	Pickup / Working Current	Resistance / Tolerance	Relay Register Plate	Weight	List Price
	US2:400500	6FB 4 A @ 30 V Standard Duty	ST-1 Line	5.5 mA 2.75 V Minimum	12.1 mA 6.05 V Maximum	10 - 12 VDC (2) Coils @ 250 Ω ± 5% Resistance Each Coil	1 - 2 - 4 - 13	8.0 lbs (3.63 kgs)	\$ 1,066.00
	US2:400500-1	6FB 4 A @ 30 V Standard Duty	ST-1 Line	5.5 mA 2.75 V Minimum	12.1 mA 6.05 V Maximum	24 VDC (2) Coils @ 1000 Ω ± 5% Resistance Each Coil	1 - 2 - 4 - 13	8.0 lbs (3.63 kgs)	\$ 1,126.00
	US2:400501	6FB 4 A @ 30 V Standard Duty	ST-1 Line	14.0 mA 0.88 V Minimum	30.5 mA 1.92 V Maximum	Special Voltage (2) Coils @ 31.5 Ω ± 5% Resistance Each Coil	1 - 2 - 4 - 13	8.0 lbs (3.63 kgs)	\$ 1,250.00
	US2:400502	4FB - 2F - 1B 4 A @ 30 V Standard Duty	ST-1 Line	5.5 mA 2.75 V Minimum	12.1 mA 6.05 V Maximum	10 - 12 VDC (2) Coils @ 250 Ω ± 5% Resistance Each Coil	1 - 2 - 7 - 25	8.0 lbs (3.63 kgs)	\$ 1,066.00
	US2:400503	2FB - 4F - 2B 4 A @ 30 V Standard Duty	ST-1 Line	4.1 mA 4.10 V Minimum	8.8 mA 8.80 V Maximum	12 - 16 VDC (2) Coils @ 500 Ω ± 5% Resistance Each Coil	1 - 2 - 12 - 20	8.0 lbs (3.63 kgs)	\$ 1,543.00
	US2:400504	4FB - 2F - 1B 4 A @ 30 V Standard Duty	ST-1 Line	13.0 mA 1.30 V Minimum	26.0 mA 2.60 V Maximum	12 - 16 VDC (2) Coils @ 50 Ω ± 5% Resistance Each Coil	1 - 2 - 7 - 25	8.0 lbs (3.63 kgs)	\$ 1,332.00
	US2:400505	6FB 15 A @ 30 V Heavy Duty	ST-1 Line	5.5 mA 2.75 V Minimum	12.1 mA 6.05 V Maximum	10 - 12 VDC (2) Coils @ 250 Ω ± 5% Resistance Each Coil	1 - 2 - 4 - 13	8.0 lbs (3.63 kgs)	\$ 1,501.00
	US2:400506	4FB - 2F - 1B 15 A @ 30 V Heavy Duty	ST-1 Line	5.5 mA 2.75 V Minimum	12.1 mA 6.05 V Maximum	10 - 12 VDC (2) Coils @ 250 Ω ± 5% Resistance Each Coil	1 - 2 - 7 - 25	8.0 lbs (3.63 kgs)	\$ 1,304.00
	US2:400506-1	4FB - 2F - 1B 15 A @ 30 V Heavy Duty	ST-1 Line	5.5 mA 2.75 V Minimum	12.1 mA 6.05 V Maximum	10 - 12 VDC (2) Coils @ 1000 Ω ± 5% Resistance Each Coil	1 - 2 - 7 - 25	8.0 lbs (3.63 kgs)	\$ 1,126.00

Biased Neutral, Regular Release and Regular Pickup

SIEMENS Part Number	Contact Arrangement	Relay Type	Drop Away Current	Pickup / Working Current	Resistance / Tolerance	Relay Register Plate	Weight	List Price
US2:400507	5F - 4B 4 A @ 30 V Standard Duty	ST-1 Line	82.0 mA 0.33 V Minimum	126.0 mA 0.50 V Maximum	175 - 200 V (2) Coils @ 2 Ω \pm 5% Resistance Each Coil	1 - 3 - 10 - 27	8.0 lbs (3.63 kgs)	\$ 1,299.00
US2:400508	5F - 4B 4 A @ 30 V Standard Duty	ST-1 Line	243.0 mA 0.12 V Minimum	374 mA 0.19 V Maximum	400 - 450 V (2) Coils @ 1 Ω \pm 5% Resistance Each Coil	1 - 3 - 10 - 30	8.0 lbs (3.63 kgs)	\$ 1,490.00
US2:400509	2FB - 4F - 2B 4 A @ 30 V Heavy Duty	ST-1 Line	2.7 mA 5.67 V Minimum	5.8 mA 12.18 V Maximum	14 - 42 VDC (2) Coils @ 1050 Ω \pm 5% Resistance Each Coil	1 - 3 - 9 - 14	8.0 lbs (3.63 kgs)	\$ 1,066.00
US2:400509M	2FB - 4F - 2B 4 A @ 30 V Heavy Duty	ST-1 Line	2.90 mA 6.09 V Minimum	5.5 mA 11.59 V Maximum	14 - 42 VDC (2) Coils @ 1050 Ω \pm 5% Resistance Each Coil	1 - 3 - 9 - 14	8.0 lbs (3.63 kgs)	\$ 1,066.00
US2:400510	4FB - 2F - 1B 4 A @ 30 V Heavy Duty	ST-1 Line	73.0 mA 0.15 V Minimum	158.0 mA 0.32 V Maximum	175 - 200 mADC (2) Coils @ 1 Ω \pm 5% Resistance Each Coil	1 - 4 - 5 - 6	8.0 lbs (3.63 kgs)	\$ 1,066.00
US2:400511	4FB 4A @ 30 V Heavy Duty	ST-1 Line	256.0 mA 0.13 V Minimum	365.0 mA 0.18 V Maximum	400 - 450 mADC (2) Coils @ 1 Ω \pm 5% Resistance Each Coil	1 - 2 - 7 - 25	8.0 lbs (3.63 kgs)	\$ 1,254.00
US2:400512	6FB 4 A @ 30 V Heavy Duty	ST-1 Line	73.0 mA 0.15 V Minimum	158.0 mA 0.32 V Maximum	175 - 200 mADC (2) Coils @ 1 Ω \pm 5% Resistance Each Coil	1 - 2 - 5 - 33	8.0 lbs (3.63 kgs)	\$ 1,482.00
US2:400513	2FB - 3F - 3B 4 A @ 30 V Heavy Duty	ST-1 Line	4.3 mA 4.30 V Minimum	8.8 mA 8.80 V Maximum	12 - 32 VDC (2) Coils @ 200 Ω \pm 5% Resistance Each Coil	1 - 2 - 12 - 21	8.0 lbs (3.63 kgs)	\$ 1,069.00
US2:400515	5F - 4B 4 A @ 30 V Heavy Duty	ST-1 Line	256.0 mA 0.13 V Minimum	365.0 mA 0.18 V Maximum	400 - 450mADC (2) Coils @ 1 Ω \pm 5% Resistance Each Coil	1 - 2 - 7 - 25	8.0 lbs (3.63 kgs)	\$ 1,527.00

Biased Neutral Switch Overload, Regular Release and Regular Pickup

Relay Products	SIEMENS Part Number	Contact Arrangement	Relay Type	Drop Away Current	Pickup / Working Current	Resistance / Tolerance	Relay Register Plate	Weight	List Price
	US2:400600	2B Extra Heavy Duty Magnetic Blowout	ST-1	5.0 mA 1225 Ω Coil 6.10 V Maximum		Special Voltage (1) Coil @ 1225 $\Omega \pm 5\%$ Resistance	1 - 2 - 5 - 23	8.0 lbs (3.63 kgs)	\$ 1,474.00
	US2:400601	2CBO 4 A @ 30 V Standard Duty	ST-1	18.0 mA 135 Ω Coil 2.43 V Maximum	70.0 mA 135 Ω Coil 9.45 V Maximum	Special Voltage (1) Coil @ 135 $\Omega \pm 5\%$ Resistance	1 - 3 - 7 - 10	8.0 lbs (3.63 kgs)	\$ 1,711.00
	US2:400602	2CBO 4 A @ 30 V Standard Duty	ST-1	18.0 mA 220 Ω Coil 3.96 V Maximum	70.0 mA 220 Ω Coil 15.40 V Maximum	Special Voltage (1) Coil @ 220 $\Omega \pm 5\%$ Resistance	1 - 2 - 11 - 26	8.0 lbs (3.63 kgs)	\$ 1,478.00
	US2:400604	2CBO 4 A @ 30 V Standard Duty	ST-1	18.0 mA 135 Ω Coil 2.43 V Maximum	70.0 mA 135 Ω Coil 9.45 V Maximum	Special Voltage (1) Coil @ 135 $\Omega \pm 5\%$ Resistance	1 - 3 - 7 - 30	8.0 lbs (3.63 kgs)	\$ 1,303.00
	US2:400605	2CBO 4 A @ 30 V Standard Duty	ST-1	10.0 mA 135 Ω Coil 1.35 V Maximum	40.0 mA 135 Ω Coil 5.40 V Maximum	Special Voltage (1) Coil @ 135 $\Omega \pm 5\%$ Resistance	1 - 3 - 7 - 9	8.0 lbs (3.63 kgs)	\$ 1,891.00
	US2:400605-1	2CBO 4 A @ 30 V Standard Duty	ST-1	5.0 mA 540 Ω Coil 2.70 V Maximum	35.0 mA 540 Ω Coil 18.90 V Maximum	Special Voltage (1) Coil @ 540 $\Omega \pm 5\%$ Resistance	1 - 3 - 7 - 9	8.0 lbs (3.63 kgs)	\$ 1,095.00

Biased Neutral Relay, Regular Release and Regular Pickup

SIEMENS Part Number	Contact Arrangement	Relay Type	Drop Away Current	Pickup / Working Current	Resistance / Tolerance	Relay Register Plate	Weight	List Price
US2:400527	6FB 4 A @ 30 V Standard Duty	ST-1 Line	13.0 mA 1.30 V Minimum	26.0 mA 2.60 V Maximum	10 - 12 VDC (2) Coils @ 200 Ω ± 5% Resistance Each Coil	2 - 4 - 18 - 23	8.0 lbs (3.63 kgs)	\$ 1,018.00
US2:400528	6FB 4 A @ 30 V Standard Duty	ST-1 Line	5.7 mA 2.30 V Minimum	13.2 mA 5.30 V Maximum	10 - 12 VDC (2) Coils @ 200 Ω ± 5% Resistance Each Coil	2 - 4 - 18 - 23	8.0 lbs (3.63 kgs)	\$ 1,306.00
US2:400529	4FB 15 A @ 30 V Heavy Duty 2FB 4 A @ 30 V Standard Duty	ST-1 Line	5.7 mA 2.30 V Minimum	13.2 mA 5.30 V Maximum	10 - 12 VDC (2) Coils @ 250 Ω ± 5% Resistance Each Coil	2 - 4 - 13 - 22	8.0 lbs (3.63 kgs)	\$ 1,306.00
US2:400531	4FB - 2F - 1B 4 A @ 30 V Standard Duty	ST-1 Line	3.9 mA 2.93 V Minimum	8.4 mA 6.30 V Maximum	10 - 12 VDC (2) Coils @ 375 Ω ± 5% Resistance Each Coil	1 - 2 - 7 - 25	8.0 lbs (3.63 kgs)	\$ 1,251.00
US2:400532	6FB 4 A @ 30 V Standard Duty	ST-1 Line	132.0 mA 0.26 V Minimum	250.0 mA 0.50 V Maximum	400 - 450 mADC (2) Coils @ 1 Ω ± 5% Resistance Each Coil	2 - 4 - 19 - 21	8.0 lbs (3.63 kgs)	\$ 1,306.00
US2:400533	6FB 4 A @ 30 V Standard Duty	ST-1 Line	7.9 mA 1.97 V Minimum	16.8 mA 4.20 V Maximum	10 - 12 VDC (2) Coils @ 125 Ω ± 5% Resistance Each Coil	1 - 2 - 4 - 13	8.0 lbs (3.63 kgs)	\$ 1,032.00
US2:400534	6FB 4 A @ 30 V Standard Duty	ST-1 Line	116.0 mA 0.12 V Minimum	225.0 mA 0.23 V Maximum	275 - 300 mADC (2) Coils @ 0.5 Ω ± 5% Resistance Each Coil	1 - 2 - 4 - 13	8.0 lbs (3.63 kgs)	\$ 1,032.00
US2:400535	4FB - 2F - 1B 4 A @ 30 V Standard Duty	ST-1 Line	14.0 mA 0.88 V Minimum	30.5 mA 1.92 V Maximum	10 - 12 VDC (2) Coils @ 125 Ω ± 5% Resistance Each Coil	1 - 2 - 7 - 25	8.0 lbs (3.63 kgs)	\$ 1,379.00
US2:400559	2FB - 6F 4 A @ 30 V Heavy Duty	ST-1 Line	2.7 mA 5.67 V Minimum	5.8 mA 12.18 V Maximum	14 - 42 VDC (2) Coils @ 1050 Ω ± 5% Resistance Each Coil	1 - 4 - 13 - 21	8.0 lbs (3.63 kgs)	\$ 1,324.00

Biased Neutral Relay, Regular Release and Regular Pickup

Relay Products	SIEMENS Part Number	Contact Arrangement	Relay Type	Drop Away Current	Pickup / Working Current	Resistance / Tolerance	Relay Register Plate	Weight	List Price
	US2:400516	6FB 4 A @ 30 V Standard Duty	ST-1 Line	4.0 mA 3.20 V Minimum	8.8 mA 7.04 V Maximum	10 - 12 VDC (2) Coils @ 400 Ω \pm 5% Resistance Each Coil	1 - 3 - 4 - 15	8.0 lbs (3.63 kgs)	\$ 1,471.00
	US2:400517	4FB 4 A @ 30 V Standard Duty	ST-1 Track	4.5 mA 9.00 V Minimum	6.0 mA 12.00 V Maximum	18 - 24 V (2) Coils @ 1000 Ω \pm 5% Resistance Each Coil	1 - 2 - 10 - 24	8.0 lbs (3.63 kgs)	\$ 1,199.00
	US2:400518	4FB 4 A @ 30 V Standard Duty	ST-1 Track	4.0 mA 3.20 V Minimum	8.8 mA 7.04 V Maximum	10 - 12 VDC (2) Coils @ 400 Ω \pm 5% Resistance Each Coil	1 - 3 - 23 - 24	8.0 lbs (3.63 kgs)	\$ 1,333.00
	US2:400519	2FB - 4F - 2B 4 A @ 30 V Standard Duty	ST-1 Line	2.7 mA 5.67 V Minimum	5.8 mA 12.18 V Maximum	14 - 42 VDC (2) Coils @ 1050 Ω \pm 5% Resistance Each Coil	1 - 3 - 9 - 14	8.0 lbs (3.63 kgs)	\$ 1,307.00
	US2:400521	6FB 4 A @ 30 V Standard Duty	ST-1 Line	49.0 mA 0.20 V Minimum	109.0 mA 0.44 V Maximum	Special Voltage (2) Coils @ 4 Ω \pm 5% Resistance Each Coil	1 - 4 - 6 - 8	8.0 lbs (3.63 kgs)	\$ 1,571.00
	US2:400522	4FB - 2F - 1B 4 A @ 30 V Standard Duty	ST-1 Track	243.0 mA 0.12 V Minimum	374.0 mA 0.19 V Maximum	175 - 200 mADC (2) Coils @ 1 Ω \pm 5% Resistance Each Coil	1 - 4 - 5 - 6	8.0 lbs (3.63 kgs)	\$ 1,464.00
	US2:400524	4FB - 2F - 1B 4 A @ 30 V Standard Duty	ST-1 Track	5.5 mA 2.75 V Minimum	12.1 mA 6.05 V Maximum	10 - 12 VDC (2) Coils @ 250 Ω \pm 5% Resistance Each Coil	1 - 2 - 7 - 25	8.0 lbs (3.63 kgs)	\$ 1,673.00
	US2:400525	4FB - 2F - 1B 4 A @ 30 V Standard Duty	ST-1 Track	5.9 mA 2.21 V Minimum	12.6 mA 4.73 V Maximum	10 - 12 VDC (2) Coils @ 187.5 Ω \pm 5% Resistance Each Coil	1 - 2 - 7 - 25	8.0 lbs (3.63 kgs)	\$ 1,281.00
	US2:400526	2FB - 4F - 2B 4 A @ 30 V Standard Duty	ST-1 Track	13.0 mA 1.30 V Minimum	26.0 mA 2.60 V Maximum	10 - 12 VDC (2) Coils @ 50 Ω \pm 5% Resistance Each Coil	1 - 3 - 9 - 27	8.0 lbs (3.63 kgs)	\$ 1,053.00

Biased Neutral Relay, Regular Release and Slow Pickup

SIEMENS Part Number	Contact Arrangement	Relay Type	Drop Away Current	Pickup / Working Current	Resistance / Tolerance	Relay Register Plate	Weight	List Price
US2:400540	6FB 4 A @ 30 V Standard Duty	ST-1 Line	6.5 mA 5.20 V Minimum	11.9 mA 9.52 V Maximum	10 - 12 VDC (2) Coils @ 200 Ω \pm 5% Resistance Each Coil	1 - 3 - 11 - 22	8.0 lbs (3.63 kgs)	\$ 1,367.00

Biased Neutral Relay, Slow Release and Regular Pickup

US2:400530	6FB 4 A @ 30 V Standard Duty	ST-1 Line	6.0 mA 1.16 V Minimum	26.0 mA 5.04 V Maximum	10 - 12 VDC (2) Coils @ 194 Ω \pm 5% Resistance Each Coil	1 - 2 - 12 - 18	8.0 lbs (3.63 kgs)	\$ 1,384.00
------------	------------------------------------	--------------	-----------------------------	------------------------------	--	-----------------	-----------------------	-------------

Biased Neutral Switch Control Relay, Regular Release and Regular Pickup

US2:400520	2F - 2B 15 A @ 30 V Extra Heavy Duty Magnetic Blowout	ST-1 Line	7.6 mA 3.80 V Minimum	19.0 mA 9.5 V Maximum	10 - 12 VDC (2) Coils @ 250 Ω \pm 5% Resistance Each Coil	1 - 2 - 12 - 22	8.0 lbs (3.63 kgs)	\$ 1,066.00
US2:400520-1	2F - 2B 15 A @ 30 V Extra Heavy Duty Magnetic Blowout	ST-1 Line	7.6 mA 3.80 V Minimum	19.0 mA 9.5 V Maximum	10 - 12 VDC (2) Coils @ 500 Ω \pm 5% Resistance Each Coil			\$ 1,066.00
US2:400523	2F 15 A @ 30 V Extra Heavy Duty Magnetic Blowout 1F - 2B 4 A @ 30 V Standard Duty	ST-1 Line	7.6 mA 3.80 V Minimum	19.0 mA 9.5 V Maximum	10 - 12 VDC (2) Coils @ 250 Ω \pm 5% Resistance Each Coil	10 - 12 - 22 - 26	8.0 lbs (3.63 kgs)	\$ 1,409.00

Flasher

US2:400700	4FB SCdO (Standard Duty)	ST-1 Flasher			60 Ω	1 - 3 - 8 - 10	8.0 lbs (3.63 kgs)	\$ 959.00
US2:400700-X	4FB SCdO (Standard Duty)	ST-1 Flasher			240 Ω	1 - 3 - 8 - 10	8.0 lbs (3.63 kgs)	\$ 1,300.00
US2:400700-1X	4FB SCdO (Standard Duty)	ST-1 Flasher			240 Ω	1 - 3 - 8 - 10	8.0 lbs (3.63 kgs)	\$ 347.00
US2:400700-7X	4FB SCdO (Standard Duty)	ST-1 Flasher			60 Ω	1 - 3 - 8 - 10	8.0 lbs (3.63 kgs)	\$ 1,258.00

Relay Products	SIEMENS Part Number	Contact Arrangement	Relay Type	Resistance / Tolerance	Relay Register Plate	Weight	List Price
	US2:400950	2FG Tungsten, 2F Silver/Platinum 2B Tungsten (Standard Duty)	ST-1 Line	200 Ω \pm 5% Resistance Each Coil	1 - 3 - 9 - 28	8.0 lbs (3.63 kgs)	\$ 4,698.00
	US2:400951	4FB Tungsten (Standard Duty)	ST-1 Track	22 Ω \pm 5% Resistance Each Coil	1 - 2 - 9 - 17	8.0 lbs (3.63 kgs)	\$ 5,051.00
	US2:400952	2NR Silver/Platinum (Standard Duty)	ST-1 Track	80 Ω \pm 5% Resistance Each Coil	1 - 3 - 9 - 25	8.0 lbs (3.63 kgs)	\$ 4,258.00
	US2:400953	2FB Tungsten, 2FB Silver/Platinum (Standard Duty)	ST-1 Track	80 Ω \pm 5% Resistance Each Coil	1 - 3 - 9 - 24	8.0 lbs (3.63 kgs)	\$ 4,766.00
	US2:400954	4FB Silver/Tungsten (Standard Duty)	ST-1 Track	80 Ω \pm 5% Resistance Each Coil	1 - 3 - 4 - 33	8.0 lbs (3.63 kgs)	\$ 4,555.00
	US2:400955	4FB Silver/Platinum (Standard Duty)	ST-1 Track	80 Ω \pm 5% Resistance Each Coil	1 - 3 - 4 - 33	8.0 lbs (3.63 kgs)	\$ 4,377.00
	US2:400956	2F Tungsten, 2B Silver/Platinum (Standard Duty)	ST-1 Track	80 Ω \pm 5% Resistance Each Coil	1 - 2 - 18 - 29	8.0 lbs (3.63 kgs)	\$ 4,085.00
	US2:400957	2FB Tungsten, 2FB Silver/Platinum (Standard Duty)	ST-1 Track	80 Ω \pm 5% Resistance Each Coil	1 - 3 - 9 - 28	8.0 lbs (3.63 kgs)	\$ 4,843.00

www.fotorela.net

SIEMENS Part Number	Contact Arrangement	Relay Type	Resistance / Tolerance	Relay Register Plate	Weight	List Price
US2:450992	4F Silver/Carbon 4B Silver (Standard Duty)	ST-2, Double Base Vane Track Relay	Track .524 Ω Local 144 Ω	25 - 26- 27 - 30	11.0 lbs (4.99 kgs)	\$ 4,644.00
US2:450993	4F Silver/Carbon 4B Silver (Standard Duty)	ST-2, Double Base Vane Track Relay	Track .4 Ω Local 67 Ω	25 - 26- 29 - 32	11.0 lbs (4.99 kgs)	\$ 4,644.00
US2:450994	2F Silver/Carbon 2B Silver (Standard Duty)	ST-2, Double Base Vane Track Relay	Track 5 Ω Local 144 Ω	25 - 26- 27 - 31	11.0 lbs (4.99 kgs)	\$ 4,644.00
US2:450994-N	2F Silver/Carbon 2B Silver (Standard Duty)	ST-2, Double Base Vane Track Relay	Track 5 Ω Local 144 Ω	25 - 26- 27 - 31	11.0 lbs (4.99 kgs)	\$ 4,644.00

Relay Products

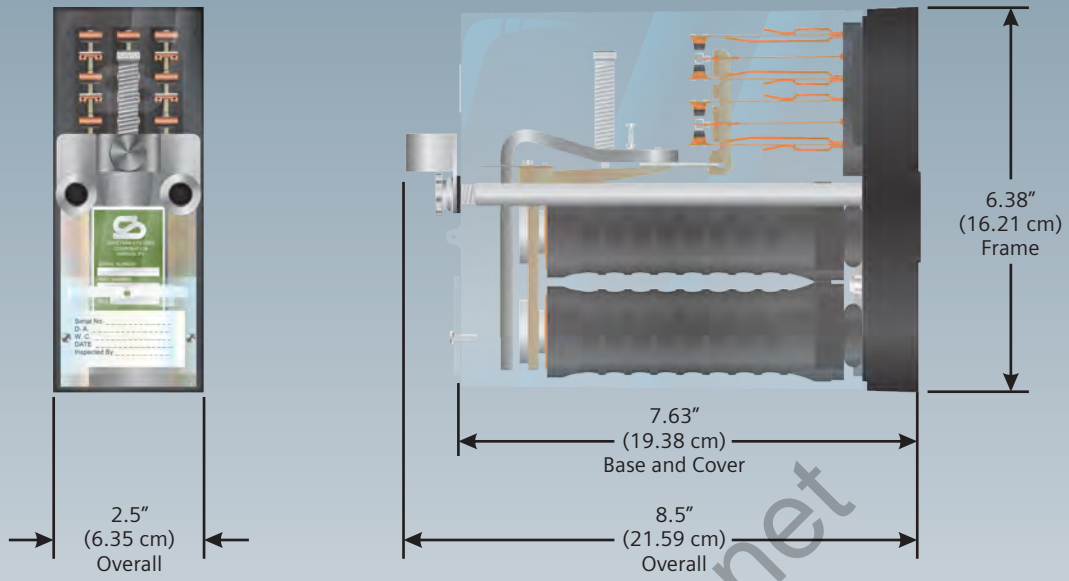
Power Transfer

US2:400800	6FB Silver (Heavy Duty)	ST-1, Power Transfer	100/100 Ω	1 - 2 - 6 - 16	8.0 lbs (3.63 kgs)	\$ 1,220.00
US2:400800-X	6FB Silver (Heavy Duty)	ST-1, Power Transfer	100/100 Ω	1 - 3 - 9 - 17	8.0 lbs (3.63 kgs)	\$ 1,299.00
US2:400801	6FB Silver/Carbon (Heavy Duty)	ST-1, Power Transfer	100/100 Ω	1 - 2 - 11 - 15	8.0 lbs (3.63 kgs)	\$ 1,380.00
US2:400801-X	6FB Silver/Carbon (Heavy Duty)	ST-1, Power Transfer	100/100 Ω	1 - 2 - 11 - 15	8.0 lbs (3.63 kgs)	\$ 1,480.00
US2:400802	6FB Silver (Heavy Duty)	ST-1, Power Transfer	100/100 Ω	1 - 2 - 11 - 15	8.0 lbs (3.63 kgs)	\$ 1,376.00
US2:400802-X	6FB Silver (Heavy Duty)	ST-1, Power Transfer	100/100 Ω	1 - 2 - 11 - 15	8.0 lbs (3.63 kgs)	\$ 1,333.00

Magnetic Stick

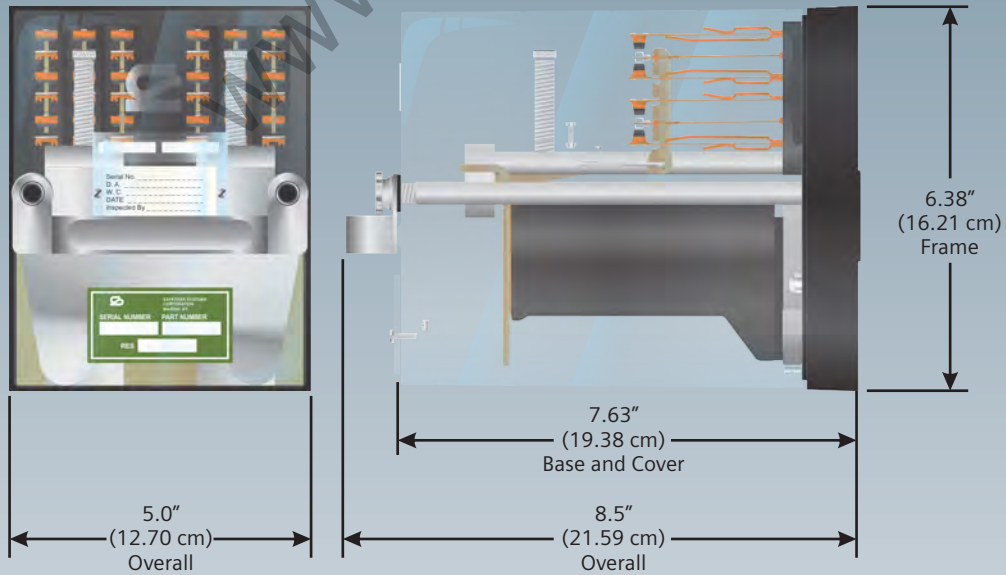
US2:400900	4NR Silver/Carbon (Standard Duty)	ST-1, Magnetic Stick	500 Ω	1 - 3 - 4 - 16	8.0 lbs (3.63 kgs)	\$ 4,222.00
US2:400901	2NR Silver/Platinum (Standard Duty)	ST-1, Magnetic Stick	26/26 Ω	1 - 3 - 25	8.0 lbs (3.63 kgs)	\$ 4,244.00
US2:400904	4NR Silver/Carbon (Standard Duty)	ST-1, Magnetic Stick	7 Ω	1 - 3 - 5 - 20	8.0 lbs (3.63 kgs)	\$ 4,465.00

Applicable for all ST-1 frame relays



1. Generic depiction of ST-1 Series frame dimensions for representations purposes only! Actual model selected may vary in configuration and features.

Applicable for all ST-2 (Non Vane) frame relays



1. Generic depiction of ST-2 Series frame dimensions for representations purposes only! Actual model selected may vary in configuration and features.

NYK:27E805



List Price
\$ 10.00

Relay Socket Base

- Weight is approx. 1.2 lbs. (0.54 kgs.)
- Made from black phenolic compound
- NO socket terminal inserts
- NO hold down studs
- NO test posts
- NO terminals

NYK:27E809



List Price
\$ 39.00

Relay Socket Base Basic Assembly

- Weight is approx. 1.2 lbs. (0.54 kgs.)
- Made from black phenolic compound
- (11) NYK:420000-61 Socket Terminal Inserts
- NO hold down studs
- NO test posts
- NO terminals

NYK:420000-40X



List Price
\$ 83.04

Relay Socket Base Assembly

- Weight is approx. 1.4 lbs. (0.64 kgs.) not including base
- (1) NYK:27E809 Relay Socket Base Assembly
- (1) NYK:42000-40X1 socket hardware kit
- (1) NYK:155374 hold down stud

NYK:420000-41X



List Price
\$ 97.60

Relay Socket Base Assembly

- Weight is approx. 1.4 lbs. (0.64 kgs.) not including base
- (1) NYK:420000-40X Relay Socket Base Assembly
- (1) NYK:420000-49X #20-16 crimp terminal

www.futuretele.net

NYK:420000-43X



List Price
\$ 92.18

Relay Socket Base Assembly

- Weight is approx. 1.4 lbs. (0.64 kgs.) not including base
- Made from black phenolic compound
- (1) NYK:420000-40X Relay Socket Base Assembly
- (1) NYK:420000-50X #14-10 crimp terminal

NYK:420000-75X



List Price
\$ 77.35

Relay Socket Base Assembly

- Weight is approx. 1.5 lbs. (0.68 kgs.)
- Made from black phenolic compound
- (1) NYK:420000-40X Relay Socket Base Assembly
- (1) NYK:420000-46X test post kit

NYK:420000-77X



List Price
\$ 95.68

Relay Socket Base Assembly

- Weight is approx. 1.6 lbs. (0.73 kgs.)
- (1) NYK:420000-40X Relay Socket Base Assembly
- (1) NYK:420000-49X #20-16 crimp terminal
- (1) NYK:420000-46X test post kit

NYK:420000-78X



List Price
\$ 121.55

Relay Socket Base Assembly

- Weight is approx. 1.6 lbs. (0.73 kgs.)
- (1) NYK:420000-40X Relay Socket Base Assembly
- (1) NYK:420000-50X #14-10 crimp terminal
- (1) NYK:420000-46X test post kit

NYK:420000-61



List Price
\$ 2.86

Socket Terminal Insert

- Weight is approx. 2 oz. (0.06 kgs.) not including base
- Made from black polycarbonate
- Used to secure relay to relay base
- (9) typically required for ST1 style relay, (18) typically required for ST2 style relay

NYK:420000-48



List Price
\$ 2.04

Terminal Solder Tab

- Weight is approx. 2 oz. (0.06 kgs.) not including base
- Made from 24 ga phosphorus bronze
- Folded tabs for soldering

NYK:420000-49



List Price
\$ 2.06

Terminal Crimping Tab

- Weight is approx. 2 oz. (0.06 kgs.) not including base
- Made from 24 ga phosphorus bronze
- Loop tabs for crimping
- accepts 16 - 20 AWG

NYK:420000-50



List Price
\$ 2.06

Terminal Crimping Tab

- Weight is approx. 2 oz. (0.06 kgs.) not including base
- Made from 24 ga phosphorus bronze
- Loop tabs for crimping
- accepts 10 - 14 AWG

www.futuretele.net

CIT Cross Reference Guide

American Zettler Series

Omron Series

Tyco / P&B / OEG / Schrack Series

Hasco Series

Song Chuan Series

Nais / Aromat / Panasonic Series

Fujitsu / Takimisawa Series

IDEC Series

CIT Cross Reference to American Zettler Series

American Zettler Series	CIT Equivalent
AZ164	J151
AZ164	J152
AZ165	J151
AZ165	J152
AZ166	J151
AZ166	J152
AZ2100	J115F2
AZ2110	J115F1
AZ2120	J115F2
AZ2150	J115F1
AZ2270	J115F2
AZ2280	J115F3
AZ5	J102
AZ673	J114 / J114AF
AZ692	J114 / J114AF
AZ693	J114 / J114AF
AZ725	J114 / J114AF
AZ732	J114 / J114AF
AZ733	J114 / J114AF
AZ742	J114 / J114AF
AZ743	J114 / J114AF
AZ755	J114 / J114AF
AZ756	J121
AZ757	J121
AZ760	J119
AZ761	J114 / J114AF
AZ762	J114 / J114AF

American Zettler Series	CIT Equivalent
AZ765	J105
AZ766	J099
AZ767	J105
AZ769	J120
AZ770	J105
AZ8	J109F
AZ822	J104
AZ826	J104
AZ830	J104
AZ832	J104
AZ847	J850
AZ848	J850SM
AZ850	J850
AZ851	J850SM
AZ920	J112
AZ920	J112K
AZ932	J107F
AZ9321	J123
AZ934	A11
AZ940	J105E
AZ942	J107F
AZ942A	J107F
AZ942H	J107F
AZ943	J107F
AZ9431	J107F
AZ946	J098
AZ948	J111

American Zettler Series	CIT Equivalent
AZ9481	J111
AZ951	J102K
AZ952	J102
AZ954X	J102K
AZ954Y	J102
AZ955	J103
AZ967	J114 / J114AF
AZ970	A5
AZ9701(E)	A5
AZ970E	A5
AZ9711(E)	A5
AZ971E	A5
AZ973	A2
AZ974	A2
AZ977	A1
AZ979	A3
AZ980	A3
AZ9801	A3
AZ983	A3
AZ9831	A4
AZ987	A10
AZ988	A1
AZ989	A16

CIT Cross Reference to Omron Series and Tyco/P&B/OEG/Schrack Series

Omron Series	CIT Equivalent
G2E	J102
G2E	J102
G2R	J114 / J114F
G2RG	J114 / J114F
G2RL	J114 / J114F
G4A	J120
G4K	J109F
G5B	J105E
G5C	J111
G5J	J121
G5L	J107F
G5LB	J107F
G5LE	J107F
G5Q	J105E
G5S	J105E
G5SB	J105E
G5V-1	J103
G5V-2	J104
G6A	J104
G6B	J105E
G6H	J850 or J850SM
G6M	J112K
G8HL	A1
G8HN	A1
G8JN	A2
G8JR	A3
G8N	A16
G8ND	A16
G8P	J115
G8PT	J115
G8QN	A15
G8QW	A15
LY	J151
MY	J152

Tyco / P&B / OEG / Schrack Series	CIT Equivalent
190	J104
491	J115F2 or J115F3
FP2	J850
K10	J151
KHA	J152
LN	J107F
LNH	J107F
MT2	J104
OJ	J105
OMI	J114 or J114AF
ORWH	J107F
OU DH	J109F
OZ	J114 or J114AF
PCD	J111
PCE	J107F
PCF	J119
PCH	J105E
PCL	J152
PCLH	J151
PCN	J112
PT	J152
PTF	J151
RE	J105E
REL	J105E
RKS	J114 or J114AF
RP	J114 or J114AF
RT	J114 or J114AF
SRUDH	J107F
SRUUH	J107F
T73	J109F
T77	J105
T7C	J107F
T7N	J107F
T81	J102K

Tyco / P&B / OEG / Schrack Series	CIT Equivalent
T90	J115F1
T9A	J115F1
T9A	J115F2 or J115F3
TSC	J103
V20376	A5
V23072	A4
V23074	A1
V23084	A11
V23086	A10
V23105	J104
V23111	J103
V23133	A5
V23148	J109F
V23184	A2 or A3
V2R	A7
VF4	A2
VF7	A3
VFM	A1
VFS	A9
VKP	A5

CIT Cross Reference to Hasco Series and Song Chuan Series

Hasco Series	CIT Equivalent
2KLT	A7
BAS-111	J102
BS-211	J102
CAR	A2 or A3
CARB	A5
CART	A3
CAS-112	J104
CS-212	J104
HAS-112	J104
HAS-212	J104
HAT901	J115F1
HAT902	J115F2
HAT903	J115F3
HBS	J103
HPR	J114AF
KLT	J107F
KSD	J098
MHR	J111
MKB	A4
PR	J114
SC-111	J102K
SC-211	J102K
SLT	J118
SSD	J109F
T	J850
TL	J850SM
UJ	J151
UJJ	J152

Song Chuan Series	CIT Equivalent
103	A16
201	J111
302	J121
502	J104
702	J850
792	A2
793	J114 of J114AF
821	J119
822	A5
834	J099
835	J105
842	J102
843	J109F
861	A4
871	A1
875	J123
881	J114 of J114AF
891	J120
892	J105E
894	J114 of J114AF
895	J118
897	A3
702F	J850SM
801H	J107F
812H	J107F
832AP	J115F1
832AWP	J115F2
832AWP	J115F3
833H	J107F
842A	J102K
845HN	J114 of J114AF
855AP	J115F1
855AW	J115F3
855AWP	J115F2
876A	J104

Song Chuan Series	CIT Equivalent
881H	J114 of J114AF
896H	A3
SCL	J151
SCLA	J151
SCLB	J152
SCLD	J152

CIT Cross Reference to Nais/Aromat/Panasonic Series, Fujitsu/Takimisawa Series and IDEC Series

Nais / Aromat / Panasonic Series	CIT Equivalent
ALE	J121
ALF	J119
CB	A2
CM	A1
DK	J105E
DS2Y	J104
DS2YE	J104
DS-BT	J104
DSP	J105E
HC	J152
HL	J151
HP	J151
HY	J103
JA	J115F3
JJM	J118
JM	J119
JQ	J105
JR	J114 or J114AF
JS	J107F
JSM	J107F
JTN	J115F1 of J115F2
JTV	J115F1 of J115F2
JV	J111
JW	J114 or J114AF
PA	J112
PQ	J105E
TF2	J850
TQ	J850
TQ-SMD	J850SM

Fujitsu / Takimisawa Series	CIT Equivalent
A	J850
CS	J107F
FBR160	J107F
FBR161	J107F
FBR166	J107F
FBR211	J102
FBR211N	J102K
FBR51	J118
FBR52	J118
FRL-274	A5
FTR-C2	J104
FTR-F4	J114 or J114AF
FTR-H1	J114 or J114AF
FTR-H3	J114 or J114AF
FTR-K3	J119
JY	J105E
LZ	J109F
NY	J112
RA	J104
RY	J104
SY	J103
VB	J114 or J114AF
VFD	J115
VS	J114 or J114AF
VSB	J114 or J114AF

IDEC Series	CIT Equivalent
RH	J151
RM	J152
RU	J152
RY	J152

www.motorele.net

РЕЛЕ,
 СІТ,
 Crydom,
 Fujitsu,
 Hasco,
 KG Technology,
 NEC,
 Omron,
 SKY,
 TE (Tyco),
 American Zettler,
 Aromat,
 Crouzet,
 DuraKool,
 Guardian,
 Idec,
 Magnecraft,
 NTE,
 Panasonic,
 Song Chuan,
 Tyco,
 Automotive, Picker

CIT	Picker
A1	PC782
A10 Dual	PC549
A10 Single	PC537
A15 Dual	PC617
A15 Single	PC236
A16	PC565
A1M	PC782
A2	PC792A
A3-2 Heavy Duty	PC795
A4 Dual	PC617
A4 Single	PC236
A5	PC822
A6	PC785
J098	PC459
J099	PC834
J102	PC312
J103	PC307
J104A	PC322
J104B	PC323
J104C	PC323
J104D	PC323
J105	PC835
J105E	PC435
J107E1	PC415
J107F 12A	PC415H
J107F 15A	PC415H
J107F 20A	PC520
J109F	PC333
J111	PC376
J112	PC457
J112K	PC458
J114	PC375
J114AF	PC375
J114FL	PC375
J115F1	PTRD
J115F1E	PTRH

J115F2		PTRD-T
J115F2E		PTRH-T
J115F3		PTRD-T
J115F3E		PTRH-T
J117		PC378
J117F		PC378
J118		PC415
J120		PC454
J123F		PC520
J151		PC113
J152		PC118
J850		PC302
J860		PC303
Crydom	Picker	
1-DC Series	PCS33	
1-DCL	PCS33	
ASO	PCS20	
ASO	PCS4	
CL	PCS15	
CN	PCS32 100mA DC Output	
CS	PCS34 AC Input	
CS	PCS34 DC Input	
CW	PCS34 AC Input	
CW	PCS34 DC Input	
CX241	PCS20	
CX241	PCS4	
DMO	PCS32 DC Output	
DO	PCS32 DC Output	
Dual	PCS28	
Evolution Dual	PCS28	
H1	PCS34 AC Input	
H1	PCS34 DC Input	
HA	PCS34 AC Input	
HA	PCS34 DC Input	
HD	PCS34 AC Input	
HD	PCS34 DC Input	
PowerPlus	PCS33	
PS	PCS34 AC Input	
PS	PCS34 DC Input	
Series 1	PCS15	
Series 1	PCS34 AC Input	
Series 1	PCS34 DC Input	
Fujitsu	Picker	
A		PC302
CS		PC415
CS		PC520
FBR10		PC303
FBR160		PC415
FBR160		PC520
FBR161		PC415
FBR161		PC520
FBR163		PC415
FBR163		PC520
FBR166		PC415
FBR166		PC520
FBR211		PC312
FBR244		PC323
FBR51		PC236
FBR52		PC236
FBR610		PC375
FRL274		PC822
FTR-C1		PC303
FTR-C2		PC323
FTR-F1		PC375
FTR-H1		PC375
FTR-K1		PC375
FTR-K2		PC393
FTR-P1		PC415
FTR-P1		PC520
JS		PC378
JY		PC435
LZ		PC333
LZG		PC333
MZ		PC312
NA		PC303
NY		PC458
RA		PC323S
RA		PC322
RY		PC322
RY		PC323S
SE		PCD203AC2
SY		PC307
VB		PC375

www.fotorele.net

VS	PC375
VSB	PC375
VSB	PC375
Hasco	Picker
AKF	PC565
BAS111	PC312
BAS111	PC312
BAS511	PC312
BS211	PC312
BS211	PC312
CAR	PC792A
CAR	PC792H
CAR(100)	PC7150
CAR(30)	PC792A
CAR(40)	PC792A
CAR(80)	PC795
CARB	PC822
CART	PC795
CAS-112	PC322
CAS-112	PC323
CS212	PC322
CS212	PC323
HAS112	PC323
HAS114	PC322
HAS114	PC323
HAT-901	PTRH
HAT900	PTRH
HAT901	PTRH
HAT901-L(30)	PCT90CL
HAT901-L(40)	PCT90DL
HAT902	PTRH-T
HAT903	PTRH-T
HAT905	PTRE
HBS	PC307
HPR	PC435
HPR	PC435
HS115	PC322
HS212	PC323
KLT	PC415
KLT	PC520
KSD	PC459
MHR	PC376
MKB	PC517
PLT	PC520
PLT	PC521
PR	PC375
RPR	PC835
SC111	PC312
SC112	PC312
SLT	PC236
SPR	PC375
SPR-L	PC375L
SSD	PC333
SSR	PCD203AC2
T	PC302
UJ	PC113
UJJ	PC118
KG Technology	Picker
K109	PC9L-60
K200	PC25L-200
K300	PC23L-100
NEC	Picker
EA2	PC302
EC2	PC303
ED2	PC303
EQ1	PC520
MR31	PC415
MR31	PC520
MR62	PC322
MR62	PC323
MR72	PC375
MR82	PC323
MR82	PC322
MR301	PC415
MR301	PC520
MR602	PC322
MR612	PC322
MR622	PC324
Omron	Picker
G2R	PC375
G2R	PC375
G2RL	PC375
G3M	PCD203AC2
G3MB	PCD203AC2
G5-V1	PC307

G5B	PC435
G5CA	PC376
G5L	PC415
G5L	PC520
G5LA	PC415
G5LA	PC520
G5LE	PC415
G5LE	PC520
G5Q	PC435
G5RL	PC375
G5S	PC435
G5SB	PC435
G5V-2	PC322
G5V-2	PC323
G6A	PC322
G6A	PC323
G6D	PC466
G6H	PC302
G6R	PC378
G6RL	PC378
G6RN	PC378
G6S	PC303
G7G	PTRH-T
G8HE	PC782
G8HL	PC782
G8HN	PC782
G8JN	PC792A
G8JN	PC795
G8JR	PC792H
G8N	PC565
G8NB-1	PC565
G8NB-2	PC567
G8ND	PC566
G8ND	PC566
G8NW	PC567
G8P	PTRH
G8P	PTRH-T
G8QN	PC236
G8QW	PC636
G8V	PC781
G8V	PC785
G8V-RH	PC785
G8VA	PC781
G8W	PC786
G9NW	PC567
LY	PC113
MK	PC113
MM	PC113
MM	PC118
MY	PC118
SKY	Picker
CKB	PC312
CKBS	PC312B
CKC(15A)	PC415H
CKC(5, 10A)	PC415
CKD	PC307
CKDS	PC307
SKAP	PC113
SKAP	PC307
SKEB	PC375
SKEBA	PC375
SKEBAH	PC375
SKG	PC323
SKH	PC113
SKHB	PC113
SKHP	PC113
SKHT	PC113
SKJB	PTRH
SKJBS	PTRD
SKJQ	PTRH-T (T2)
SKJQ	PTRH-T (T3)
SKJT	PTRH-T (T4)
SKJT	PTRH-T (T5)
SKL	PC517
SKLS	PC517
SKMP	PC118
SKNP-1C	PC113
SKNP-2C	PC113
SKNP-3C	PC113
SKNP-4C	PC113
SKP	PC302
SKQ	PC822
SKQS	PC822
SKSH	PC312B
SKSS	PC312B

www.fotorele.net

SKT	PC792A
SKU	PC312B
TE (Tyco)	Picker
190	PC322
190	PC323
491	PTRH-T
491	PTRA
590	PTRH
F7	PC795
FP2	PC302
FT2	PC303
FX2	PC303
K10	PC113
KH	PC118
KHA	PC118
KHS	PC118
KUHP	PC730
KUMP	PC113
KUP	PC113
MSR	PC378
MT2	PC323
MT2	PC324
OJ	PC835
OJE	PC835
OMI 2 POLE	PC375
OMIH	PC375
OMIT	PC375
ORWH	PC415
ORWH	PC520
OUAZ	PC312B
OUHD	PC333
OUHD	PC333
OZ	PC375
OZ	PC375
PCD	PC376
PCE	PC415
PCH	PC435
PCL	PC118
PCLH	PC118
PCN	PC458
PT	PC118
RKS	PC375
RKS	PC375
RT	PC375L
RT	PC375
SRUDH	PC520
T70	PC415
T72	PC415
T73	PC333
T75	PC378
T77	PC835
T7C	PC415
T7N	PC415
T81	PC312B
T83	PC322
T83	PC323
T85	PC323
T85	PC322
T90	PTRH-T
T90	PTRH
T90	PTRH
T9A	PTRH
T9A	PTRH-T
T9AP	PIRH
T9AP	PTRH-T
T9S	PIRD
T9S	PIRD-T
TSC	PC307
V23033	PC822
V23061	PC378
V23071	PC822
V23072	PC517
V23073	PC782
V23074	PC782
V23076	PC822
V23079	PC303
V23079(P2)	PC303
V23081	PC636
V23086	PC537
V23086-C2	PC549
V23086-M1	PC537
V23086-M2	PC549
V23101(W11)	PC312
V23101(W11)	PC312B
V23105	PC322

www.fotorele.net

V23105	PC323
V23105(D2n)	PC323
V23105(D2n)	PC324
V23111	PC307
V23133	PC822
V23134	PC792A
V23134	PC792C
V23134 F7	PC792H
V23134 F7	PC795
V23134-A	PC792A
V23134-A	PC792H
V23134-B	PC792A
V23134-B	PC792H
V23134-C	PC792A
V23134-C	PC792H
V23134-J	PC795
V23145	PC782
V23374	PC782
V24086-C1	PC537
VF28	PC786
VF4	PC792A
VF4	PC792H
VF7	PC795
VFM	PC782
VFMA	PC782
VJ28	PC785
VKM	PC517
VKP	PC822
American Zettler	Picker
AZKUP	PC113
AZ5	PC312
AZ8	PC333
AZ164	PC113
AZ164	PC118
AZ165	PC113
AZ165	PC118
AZ166	PC113
AZ166	PC118
AZ168	PC113
AZ168	PC118
AZ576	PC375
AZ673	PC375
AZ692	PC375
AZ693	PC375
AZ695	PC466
AZ696	PC378
AZ723	PC375
AZ725	PC375
AZ725	PC375
AZ726	PC375
AZ726	PC375
AZ732	PC375
AZ733	PC375
AZ733W	PC375
AZ733WC	PC375
AZ742	PC375
AZ743	PC375
AZ755	PC375
AZ761	PC375
AZ762F	PC375
AZ762	PC375
AZ762H	PC375
AZ762P	PC375
AZ762T	PC375
AZ763	PC375
AZ764	PC375
AZ765	PC835
AZ766	PC834
AZ767	PC835
AZ770	PC835
AZ822	PC322
AZ822	PC323
AZ826	PC322
AZ826	PC323
AZ830	PC323
AZ830	PC324
AZ832	PC322
AZ833	PC303
AZ847	PC302
AZ850P1	PC302
AZ850	PC302
AZ850P2	PC302
AZ920	PC458
AZ920	PC457
AZ932	PC415

AZ932	PC520
AZ940	PC435
AZ941	PC520
AZ941	PC415
AZ942	PC520
AZ942	PC415
AZ942H	PC415H
AZ943T	PC521
AZ943	PC415
AZ943	PC520
AZ946	PC459
AZ948	PC376
AZ951	PC312B
AZ952	PC312
AZ954	PC312
AZ955	PC307
AZ957	PC307
AZ970	PC822
AZ970E	PC822
AZ971	PC822
AZ973	PC792A
AZ973	PC792H
AZ974	PC792H
AZ974	PC792A
AZ975	PC517
AZ976	PC517
AZ977	PC782
AZ979	PC795
AZ980	PC795
AZ983	PC795
AZ984	PC785
AZ986	PC786
AZ987	PC537
AZ987	PC549
AZ988	PC782
AZ989	PC567
AZ989	PC565
AZ989	PC566
AZ1651	PC113
AZ1651	PC118
AZ1661	PC113
AZ1661	PC118
AZ2100	PTRH-T
AZ2110	PTRH
AZ2120	PTRH
AZ2150W	PTRH
AZ2150	PTRH
AZ2151	PTRH
AZ2270	PTRH-T
AZ2270	PTRH-T
AZ2280	PTRH-T
AZ2280	PTRH-T
AZ6771	PC835
AZ6951	PC466
AZ6961	PC378
AZ6962	PC378
AZ6975	PC375
AZ7335	PC375
AZ7555	PC375
AZ7709	PC835
AZ8222	PC323
AZ8461	PC303
AZ8462	PC303
AZ8463	PC303
AZ8512	PC302
AZ8521	PC303
AZ9321	PC520
AZ9321	PC520
AZ9421 A	PC415
AZ9431	PC415
AZ9431	PC520
AZ9471	PC236
AZ9481	PC376
AZ9481F	PC376
AZ9571	PC307
AZ9701	PC822
AZ9701E	PC822
AZ9711E	PC822
AZ9711	PC822
AZ9731T	PC792C
AZ9731	PC792A
AZ9741	PC792A
AZ9801	PC795
AZ9831	PC795
AZ9841	PC785

AZ9871	PC537
AZ9871	PC549
AZ9891	PC566
AZ9891H	PC566
AZ21501	PTRA
SGC-4F	PCD203AC2
SGX-1505FB	PCD
Aromat	Picker
ACV	PC785
ACV	PC782
ALS	PC415
ALS	PC520
ALZ	PC375
ASX	PC303
CB	PC792H
CB	PC792A
CM	PC782
CQ	PC236
DS	PC322
DS	PC323
DS2Y	PC322
DS2Y	PC323
HC	PC118
HJ	PC118
HL	PC113
HY	PC307
JJ	PC236
JJM	PC236
JM	PC454
JQ	PC435
JS	PC415
JS	PC520
JS-M	PC415
JS-M	PC520
JTN	PTRH
JTN	PTRH-T
JTV	PTRH
JTV	PTRH-T
JV	PC376
JVN	PC376
LZ	PC375
PA	PC457
PQ	PC435
SX	PC303
TF	PC302
TQ	PC302
TX	PC303
Crouzet	Picker
Dual Output	PCS28
GF	PCS33
GN	PCS34 AC Input
GN	PCS34 DC Input
GNAS	PCS15
DuraKool	Picker
DA16	PC113
DA20	PC113
DA20	PC730
DB16	PC113
DB30	PC730
DG05	PC835
DG05	PC435
DG17	PC517
DG19	PC822
DG20	PC537
DG27	PC549
DG31A	PC415H
DG31A	PC415
DG31H	PC415H
DG34A	PTRH
DG38	PTRD-T
DG38	PTRH-T
DG38B	PTRD-OT
DG38L	PTRH-T
DG60	PC565
DG60	PC566
DG60	PC567
DG6L	PC378
DG76	PC10L-80
DG77	PC10L-80
DG81	PC236
DG81B	PC236
DG82	PC782
DG84A	PC782

www.fotorele.net

DG84B	PC782
DG85A	PC792A
DG85B	PC792C
DG85C	PC795
DG85CM	PC7150
DG85D	PC7150
DG85F	PC792A
DG91	PC785
DG92	PC782
DGC2	PC782
DM05	PC435
DM05	PC835
DM41	PC375
DM42	PC375
DM43	PC375
DM44	PC375
DM84	PC375
DM85	PC375
DM85 hrush	PC375
DM87	PC375
DTC0	PC312
DTC1	PC307
DTC2	PC322
DTC3	PC323
DTC4	PC302
DX84	PC375
DX87	PC375
Guardian	Picker
1310	PC118
1315	PC118
1390	PC113
1395	PC113
1505HS	PC312
1505HSM	PC312
1655	PC375
1665	PC375
5005HS	PTRH-T
5905H	PTRH
5905HS	PTRH
Idec	Picker
RH	PC113
RM	PC118
RQ	PC375
RR	PC113
RSS	PCD
RU	PC118
RY	PC118
Magnecraft	Picker
W9A	PTRH-T
W90	PTRH
W6	PCD
W92	PC378
A314	PC730
W76	PC375
6DSX	PCD
6DTX	PCD
9A	PTRH-T
63xx	PCS33
70S2	PCD203AC2
78	PC113
78	PC118
90	PTRH
91	PTRH-T
92	PC378
178	PC415
178	PC520
300	PC730
389	PC730
781	PC113
782	PC113
783	PC113
792	PC113
976	PC375
976	PC375
NTE	Picker
R10	PC118
R10	PC113
R12	PC118
R14	PC113
R16	PC118
R21	PC312
R22	PC375
R23	PC375
R25	PC375
R40	PC323

R45	PTRH-T
R47	PTRH-T
R47	PTRH-OT
R51	PC792C
R51	PC795
R55	PC113
Panasonic	Picker
ACV	PC782
ACV	PC785
ADW	PC375L
ALA	PC375
ALQ	PC435
ALS	PC415
ALS	PC520
ALZ	PC375
AQ-A	PC815
AQ-G	PC520
AQ-G	PC84
ASX	PC303
CB	PC792A
CB	PC792H
CM	PC782
CQ	PC236
DK	PC435
DS	PC322
DS	PC323
DS2Y	PC322
DS2Y	PC323
DW	PC375L
HC	PC118
HJ	PC118
HL	PC113
HP	PC113
HY	PC307
JA	PTRD-T
JJ	PC236
JJM	PC236
JM	PC454
JQ	PC435
JR	PC375
JS	PC415
JS	PC520
JS-M	PC415
JS-M	PC520
JTN	PTRH
JTN	PTRH-T
JTV	PTRH
JTV	PTRH-T
JV	PC376
JV-N	PC376
JW	PC375
LA	PC375
LQ	PC435
LZ	PC375
PA	PC457
PQ	PC435
SX	PC303
TF	PC302
TQ	PC302
TX	PC303
TXD	PC303
TXS	PC303
Song Chuan	Picker
103	PC565
108	PC782
201	PC376
301	PC785
303	PC781
502	PC323
502	PC324
507	PC375
702	PC302
731	PC113
792	PC792A
792H	PC792H
793	PC375
801H	PC415
812H	PC415
812H	PC520
812HM	PC415
812HM	PC520
832	PTRH
832AW	PTRH-T
832WP	PTRH-T
832WP	PTRH-T

www.fotorele.net

833H	PC520
833HM	PC415
833HM	PC520
834	PC834
835	PC835
842	PC312
842A	PC312B
843	PC333
845H	PC375
852W	PC454
852WP	PC454
855A	PTRH-T
861	PC517
861T	PC517
871	PC782
881	PC375
888	PC375
892	PC435
895	PC236
896	PC792H
896H	PC792H
897	PC795
898	PC795
899	PC415H
899B	PC520
902	PC303
SCL	PC113
SCLA	PC113
SCLB	PC118
SCLD	PC113
SCLD	PC118
Tyco Automotive	Picker

www.fotorele.net

OPTOCOUPERS CROSS REFERENCE

INDEX

1. SHARP	1
2. TOSHIBA	2
3. SIEMENS.....	6
4. QTC	9
5. HEWLETT-PACKARD	11
6. LITE-ON.....	14
7. MOTOROLA	16
8. Tape and Reel Availability	18
9. Safety Standards	19

SOLID STATE RELAY CROSS REFERENCE

INDEX

1. AROMAT	20
2. CP CLARE	21
3. SIEMENS.....	22
4. Tape and Reel Availability	25
5. Safety Standards	26

www.fotorele.net

Optocoupler Cross Reference

Sharp	Cross (Exact Alternate)	Package	Sales Tip(s)	Code	Comment(s)
PC100	No Cross	14 Pin DIP		D	
PC101	No Cross	14 Pin DIP		D	
PC110	PS2651	6 Pin DIP	PS2561-1/PS2501-1 4 Pin Replacement Lower Cost	A	
PC111	PS2652	6 Pin DIP	PS2561-1/PS2501-1 4 Pin Replacement Lower Cost	A	
PC112	PS2651	6 Pin DIP	PS2561-1/PS2501-1 4 Pin Replacement Lower Cost	A	
PC113	PS2652	6 Pin DIP	PS2561-1/PS2501-1 4 Pin Replacement Lower Cost	A	
PC120	PS2561-1	4 Pin DIP		A	
PC121	PS2561-1	4 Pin DIP		A	
PC123	PS2561-1	4 Pin DIP		A	
PC123F	PS2581L1-1	4 Pin DIP		A	
PC353T	PS2801-1	4 Pin SSOP	4 Pin Replacement SSOP Package Lower Cost, Smaller	C	6 Pin vs 4 Pin
PC354	PS2705-1	4 Pin SOP	(Our Height is Lower at 2.3mm)	A	
PC355NT	PS2702-1	4 Pin SOP	(Our Height is Lower at 2.3mm)	A	
PC356NT	PS2701-1	4 Pin SOP	(Our Height is Lower at 2.3mm)	A	
PC357NT	PS2701-1	4 Pin SOP	(Our Height is Lower at 2.3mm)	A	
PC3Q64	PS2705-4	16 Pin SOP	(Our Height is Lower at 2.3mm)	A	
PC3Q67	PS2701-4	16 Pin SOP	(Our Height is Lower at 2.3mm)	A	
PC400	No Cross	IC Type Coupler		D	
PC401	No Cross	IC Type Coupler		D	
PC410	PS9701	5 Pin SOP	(Our Height is Lower at 2.3mm)	A	
PC417	PS8701	5 Pin DIP	(Our Height is Lower at 2.3mm)	A	
PC419	No Cross			D	
PC450T	No Cross			D	
PC452	PS2732-1	4 Pin SOP	(Our Height is Lower at 2.3mm)	B	
PC702V	PS2601	6 Pin DIP	PS2501-1/PS2561 Lower Cost 4 Pin Replacement	B	7.65 mm vs 10 mm
PC703V	PS2601	6 Pin DIP	PS2501-1/PS2561 Lower Cost 4 Pin Replacement	B	7.65 mm vs 10 mm
PC713V	PS2601	6 Pin DIP	PS2501-1/PS2561 Lower Cost 4 Pin Replacement	B	7.65 mm vs 10 mm
PC714V	PS2602	6 Pin DIP	PS2501-1/PS2561 Lower Cost 4 Pin Replacement	B	7.65 mm vs 10 mm
PC715V	PS2604	6 Pin DIP	PS2502-1/PS2562-1 Lower Cost 4 Pin Replacement	B	7.65 mm vs 10 mm
PC716V	PS2604	6 Pin DIP	PS2502-1/PS2562-1 Lower Cost 4 Pin Replacement	B	7.65 mm vs 10 mm
PC723V	PS2601	6 Pin DIP	PS2501-1/PS2561 Lower Cost 4 Pin Replacement	B	7.65 mm vs 10 mm
PC724V	PS2622	6 Pin DIP	PS2521-1 Lower Cost 4 Pin Replacement	B	7.65 mm vs 10 mm
PC725	PS2632	6 Pin DIP	PS2532-1 Lower Cost 4 Pin Replacement	B	7.65 mm vs 10 mm
PC727	No Cross	6 Pin DIP		D	
PC729	No Cross	6 Pin DIP		D	
PC733	PS2605	6 Pin DIP	PS2505-1/PS2565-1 Lower Cost 4 Pin	B	7.65 mm vs 10 mm
PC733H	PS2625	6 Pin DIP	PS2525-1 Lower Cost 4 Pin Replacement	B	7.65 mm vs 10 mm
PC810	PS2561-1 (PS2501-1)	4 Pin DIP		A	
PC812	PS2561-1 (PS2501-1)	4 Pin DIP		A	
PC813	PS2565-1 (PS2505-1)	4 Pin DIP		A	
PC814	PS2565-1 (PS2505-1)	4 Pin DIP		A	
PC815	PS2502-1 (PS2562-1)	4 Pin DIP	PS2502-1 is Lower Cost	A	
PC816	PS2561-1 (PS2501-1)	4 Pin DIP		A	
PC817	PS2561-1 (PS2501-1)	4 Pin DIP		A	
PC818	PS2561-1 (PS2501-1)	4 Pin DIP		A	
PC824	PS2505-2 (PS2565-2)	8 Pin DIP	PS2505-2 is Lower Cost	A	
PC825	PS2502-2 (PS2562-2)	8 Pin DIP	PS2502-2 is Lower Cost	A	
PC826	PS2501-2 (PS2561-2)	8 Pin DIP	PS2501-2 is Lower Cost	A	
PC827	PS2501-2 (PS2561-2)	8 Pin DIP	PS2501-2 is Lower Cost	A	
PC829		8 Pin DIP	PS2505-2 is Replacing	C	
PC844	PS2505-4 (PS2565-4)	16 Pin DIP	PS2505-4 is Lower Cost	A	
PC845	PS2502-4 (PS2562-4)	16 Pin DIP	PS2502-4 is Lower Cost	A	
PC846	PS2501-4 (PS2561-4)	16 Pin DIP	PS2501-4 is Lower Cost	A	
PC847	PS2501-4 (PS2561-4)	16 Pin DIP	PS2501-4 is Lower Cost	A	

A = Direct Electrical/Mechanical Replacement

B = Direct Electrical Drop-In Replacement Likely Insignificant Difference

C = Same Electrical Function / Not Drop in Electrical/Mechanical Replacement

D = No Cross

Sharp	Cross (Exact Alternate)	Package	Sales Tip(s)	Code	Comment(s)
PC851	PS2532-1	4 Pin DIP	300V Vceo Type With Low CTR	C	
PC852	PS2532-1	4 Pin DIP		A	
PC853	PS2532-1	4 Pin DIP		A	
PC853H	PS2533-1	4 Pin DIP		A	
PC8D52	PS2532-2	8 Pin DIP		A	
PC8Q52	PS2532-4	8 Pin DIP		A	
PC865	PS2532-1	4 Pin DIP		A	
PC875	PS2532-1	4 Pin DIP		A	
PC895	PS2532-1	4 Pin DIP		A	
PC866	PS2561-1 (PS2501-1)	4 Pin DIP		A	
PC8D66	PS2501-2 (PS2561-2)	4 Pin DIP	PS2501-2 is Lower Cost	A	
PC8Q66	PS2501-4 (PS2561-4)	16 Pin DIP	PS2501-4 is Lower Cost	A	
PC900V		6 Pin DIP		D	
PC900VQ		6 Pin DIP		D	
PC901V		6 Pin DIP		D	
PC902		8 Pin DIP		D	
PC904		8 Pin DIP		D	
PC905		8 Pin DIP		D	
PC906		16 Pin DIP		D	
PC910X	PS9601	8 Pin DIP		A	
PC91D10		8 Pin DIP		D	
PC911	PS9611	8 Pin DIP		A	
PC912X	PS9611	8 Pin DIP		A	
PC915		8 Pin DIP		D	
PC917X	PS8602	8 Pin DIP		A	
PC918X	PS8602	8 Pin DIP		A	
PC922	PS9634	8 Pin DIP		A	
PC923	PS9636	8 Pin DIP		A	
PC924	PS9636	8 Pin DIP		A	
PC928				D	
PC929				D	
PC930				D	
PC931				D	
PC932				D	
PC933				D	
PC934				D	
PC935				D	
PC9D10				D	
PC9D17				D	
6N135	PS8601	8 Pin DIP		A	
6N136	PS8601	8 Pin DIP		A	
6N137	PS9601	8 Pin DIP		A	
6N138				D	
6N139				D	

Toshiba	Cross (Exact Alternate)	Package	Sales Tip(s)	Code	Comment(s)
4N25	PS2601	6 Pin DIP	PS2501-1/PS2561-1 Lower Cost 4 Pin Replacement	B	
4N25A	PS2601	6 Pin DIP	PS2501-1/PS2561-1 Lower Cost 4 Pin Replacement	B	
4N26	PS2601	6 Pin DIP	PS2501-1/PS2561-1 Lower Cost 4 Pin Replacement	B	
4N27	PS2601	6 Pin DIP	PS2501-1/PS2561-1 Lower Cost 4 Pin Replacement	B	
4N28	PS2601	6 Pin DIP	PS2501-1/PS2561-1 Lower Cost 4 Pin Replacement	B	
4N29	PS2603	6 Pin DIP	PS2502-1/PS2562-1 Lower Cost 4 Pin Replacement	B	
4N29A	PS2603	6 Pin DIP	PS2502-1/PS2562-1 Lower Cost 4 Pin Replacement	B	
4N30	PS2603	6 Pin DIP	PS2502-1/PS2562-1 Lower Cost 4 Pin Replacement	B	
4N31	PS2603	6 Pin DIP	PS2502-1/PS2562-1 Lower Cost 4 Pin Replacement	B	
4N32	PS2603	6 Pin DIP	PS2502-1/PS2562-1 Lower Cost 4 Pin Replacement	B	

A = Direct Electrical/Mechanical Replacement

B = Direct Electrical Drop-In Replacement Likely Insignificant Difference

C = Same Electrical Function / Not Drop in Electrical/Mechanical Replacement

D = No Cross

Toshiba	Cross (Exact Alternate)	Package	Sales Tip(s)	Code	Comment(s)
4N32A	PS2603	6 Pin DIP	PS2502-1/PS2562-1 Lower Cost 4 Pin Replacement	B	
4N33	PS2603	6 Pin DIP	PS2502-1/PS2562-1 Lower Cost 4 Pin Replacement	B	
4N35	PS2601	6 Pin DIP	PS2501-1/PS2561-1 Lower Cost 4 Pin Replacement	B	
4N36	PS2601	6 Pin DIP	PS2501-1/PS2561-1 Lower Cost 4 Pin Replacement	B	
4N37	PS2601	6 Pin DIP	PS2501-1/PS2561-1 Lower Cost 4 Pin Replacement	B	
4N38	PS2601	6 Pin DIP	PS2501-1/PS2561-1 Lower Cost 4 Pin Replacement	B	
4N38A	PS2601	6 Pin DIP	PS2501-1/PS2561-1 Lower Cost 4 Pin Replacement	B	
6N135	PS8601	8 Pin DIP		A	
6N136	PS8601	8 Pin DIP		A	
6N137	PS9601	8 Pin DIP		A	
6N138				D	
6N139				D	
CNY17-2	PS2601-M	6 Pin DIP		A	
CNY17-3	PS2601-L	6 Pin DIP		A	
CNY17-4	PS2601-K	6 Pin DIP		A	
TLP112	PS8701	5 Pin SOP		B	
TLP112A	PS8701	5 Pin SOP		B	
TLP113				D	
TLP114A	PS8701	5 Pin SOP		B	
TLP115	PS9701	5 Pin SOP		B	
TLP115A	PS9701	5 Pin SOP		B	
TLP120	PS2705-1	4 Pin SOP		A	
TLP120-4	PS2705-4	16 Pin SOP		A	
TLP121	PS2701-1	4 Pin SOP		A	
TLP121-4	PS2701-4	16 Pin SOP		A	
TLP124	PS2701-1	4 Pin SOP		A	
TLP124-4	PS2701-4	16 Pin SOP		A	
TLP126	PS2705-1	4 Pin SOP		A	
TLP126-4	PS2705-4	16 Pin SOP		A	
TLP127	PS2732-1	4 Pin SOP		A	
TLP127-4	PS2732-4	16 Pin SOP		A	
TLP130	No Cross	4 Pin SOP	PS2705-1 4 Pin Replacement Lower Cost	C	
TLP131	No Cross	4 Pin SOP	PS2701-1 4 Pin Replacement Lower Cost	C	
TLP137	No Cross	4 Pin SOP	PS2701-1 4 Pin Replacement Lower Cost	C	
TLP141G	No Cross	4 Pin SOP		D	
TLP160G	No Cross	4 Pin SOP		D	
TLP160J	No Cross	4 Pin SOP		D	
TLP16GJ	No Cross	4 Pin SOP		D	
TLP161J	No Cross	4 Pin SOP		D	
TLP168G	No Cross	4 Pin SOP		D	
TLP168J	No Cross	4 Pin SOP		D	
TLP181	PS2701-1	4 Pin SOP		A	
TLP190B	No Cross	4 Pin SOP		D	
TLP191B	No Cross	4 Pin SOP		D	
TLP215	No Cross	6 Pin DIP		D	
TLP216	No Cross	6 Pin DIP		D	
TLP227G	No Cross	4 Pin DIP	PS7141-1A 6 Pin Lower Cost Replacement	C	
TLP227G-2	PS7141-2A	8 Pin DIP		B	
TLP250	No Cross	8 Pin DIP		D	
TLP251	No Cross	8 Pin DIP		D	
TLP280	PS2805-1	4 Pin SSOP		A	
TLP280-4	PS2805-4	16 Pin SSOP		A	
TLP296G	PS7141-2A	8 Pin DIP		B	
TLP320	PS2525-1	4 Pin DIP		A	
TLP320-2	PS2525-2	8 Pin DIP		A	
TLP320-4	PS2525-4	16 Pin DIP		A	
TLP321	PS2561-1 (PS2501-1)	4 Pin DIP		A	

A = Direct Electrical/Mechanical Replacement

B = Direct Electrical Drop-In Replacement Likely Insignificant Difference

C = Same Electrical Function / Not Drop in Electrical/Mechanical Replacement

D = No Cross

Toshiba	Cross (Exact Alternate)	Package	Sales Tip(s)	Code	Comment(s)
TLP321-2	PS2501-2 (PS2561-2)	8 Pin DIP	PS2501-2 is Lower Cost than PS2561-2	A	
TLP321-4	PS2501-4 (PS2561-4)	16 Pin DIP	PS2501-4 is Lower Cost than PS2561-2	A	
TLP330	PS2625	6 Pin DIP		A	
TLP331	PS2601	6 Pin DIP		A	
TLP332	PS2602	6 Pin DIP		A	
TLP371	PS2633	6 Pin DIP		A	
TLP372	PS2634	6 Pin DIP		A	
TLP504A	No Cross	8 Pin DIP	Old Telecom Pinout PS2505-2 is closest cross and lower Cost	C	
TLP504-2	No Cross	16 Pin DIP	Old Telecom Pinout PS2505-4 is closest cross and lower Cost	C	
TLP512	No Cross	8 Pin DIP	PS8602 is the closest cross same function	C	
TLP513	No Cross	8 Pin DIP	PS9601 is the closest cross same function	C	
TLP521-1	PS2561-1 (PS2501-1)	4 Pin DIP		A	
TLP521-2	PS2501-2	8 Pin DIP		A	
TLP521-4	PS2501-4	16 Pin DIP		A	
TLP523	PS2532-1	4 Pin DIP		A	
TLP523-2	PS2532-2	8 Pin DIP		A	
TLP523-4	PS2532-4	16 Pin DIP		A	
TLP525G	No Cross	4 Pin DIP		D	
TLP525G-2	No Cross	8 Pin DIP		D	
TLP525G-4	No Cross	16 Pin DIP		D	
TLP531	PS2601	6 Pin DIP		A	
TLP532	PS2602	6 Pin DIP		A	
TLP535	PS2601	6 Pin DIP		A	
TLP541G	No Cross	6 Pin DIP		D	
TLP542G	No Cross	6 Pin DIP		D	
TLP550	PS8602	8 Pin DIP		A	
TLP552	PS9601	8 Pin DIP		A	
TLP553	No Cross			D	
TLP555	No Cross			D	
TLP557	No Cross	8 Pin DIP	PS9634 is closest cross same function	C	
TLP558	No Cross	8 Pin DIP	PS9601 is closest cross same function	C	
TLP559	PS8601	8 Pin DIP		B	
TLP560G	No Cross	6 Pin DIP		D	
TLP560J	No Cross	6 Pin DIP		D	
TLP561G	No Cross	6 Pin DIP		D	
TLP561J	No Cross	6 Pin DIP		D	
TLP570	PS2604	6 Pin DIP		B	
TLP571	PS2603	6 Pin DIP		B	
TLP572	PS2634	6 Pin DIP		A	
TLP582	No Cross			D	
TLP590B	No Cross	6 Pin DIP		D	
TLP591B	No Cross	6 Pin DIP		D	
TLP620	PS2565-1 (PS2501)	4 Pin DIP		A	
TLP620-2	PS2565-2 (PS2505-2)	4 Pin DIP		A	
TLP620-4	PS2565-4 (PS2505-4)	4 Pin DIP		A	
TLP621	PS2561-1 (PS2501-1)	4 Pin DIP		A	
TLP621-2	PS2561-2 (PS2501-2)	8 Pin DIP		A	
TLP621-4	PS2561-4 (PS2501-4)	16 Pin DIP		A	
TLP624	PS2503-1	4 Pin DIP		B	
TLP624-2	PS2503-2	8 Pin DIP		B	
TLP624-4	PS2503-4	16 Pin DIP		B	
TLP626	PS2565-1	4 Pin DIP		A	
TLP626-2	PS2565-2	8 Pin DIP		A	
TLP626-4	PS2565-4	16 Pin DIP		A	
TLP627	PS2532-1	4 Pin DIP		A	
TLP627-2	PS2532-2	8 Pin DIP		A	
TLP627-4	PS2532-4	16 Pin DIP		A	

A = Direct Electrical/Mechanical Replacement

B = Direct Electrical Drop-In Replacement Likely Insignificant Difference

C = Same Electrical Function / Not Drop in Electrical/Mechanical Replacement

D = No Cross

Toshiba	Cross (Exact Alternate)	Package	Sales Tip(s)	Code	Comment(s)
TLP628	PS2533-1	4 Pin DIP		C	
TLP628-2	PS2533-2	8 Pin DIP		C	
TLP628-4	PS2533-4	16 Pin DIP		C	
TLP629	PS2521-1	4 Pin DIP		A	
TLP629-2	PS2521-2	8 Pin DIP		A	
TLP629-4	PS2521-4	16 Pin DIP		A	
TLP630	PS2605	6 Pin DIP		A	
TLP631	PS2601	6 Pin DIP		A	
TLP632	PS2602	6 Pin DIP		A	
TLP633	PS2601	6 Pin DIP		A	
TLP634	PS2602	6 Pin DIP		A	
TLP641G	No Cross			D	
TLP647G	No Cross			D	
TLP647J	No Cross			D	
TLP651	PS8601	8 Pin DIP		A	
TLP665G	No Cross			D	
TLP665GF	No Cross			D	
TLP665J	No Cross			D	
TLP665JF	No Cross			D	
TLP666G	No Cross			D	
TLP666GF	No Cross			D	
TLP666J	No Cross			D	
TLP666JF	No Cross			D	
TLP668	No Cross			D	
TLP721	PS2565-1	4 Pin DIP		A	
TLP721F	PS2561L1-1	4 Pin DIP	Special Lead Bend	A	
TLP731	PS2651	6 Pin DIP		B	
TLP731(LF2)	PS2651	6 Pin DIP		A	
TLP733	PS2651	6 Pin DIP		B	
TLP733F	PS2652	6 Pin DIP		A	
TLP734	PS2651	6 Pin DIP		B	
TLP734F	PS2652	6 Pin DIP		A	
TLP741G	No Cross	6 Pin DIP		D	
TLP741J	No Cross	6 Pin DIP		D	
TLP747G	No Cross	6 Pin DIP		D	
TLP747J	No Cross	6 Pin DIP		D	
TLP750	PS8602	8 Pin DIP		A	
TLP751	PS8601	8 Pin DIP		A	
TLP759	PS8602	8 Pin DIP		B	
TLP762J	No Cross	6 Pin DIP		D	
TLP763J	No Cross	6 Pin DIP		D	
TLP2200	No Cross			D	
TLP2530	No Cross			D	
TLP2531	No Cross			D	
TLP2601	PS9601	8 Pin DIP		C	
TLP2630	No Cross			D	
TLP3502	No Cross			D	
TLP3502A	No Cross			D	
TLP3503	No Cross			D	
TLP3503A	No Cross			D	
TLP3506	No Cross			D	
TLP3507	No Cross			D	
TLP3520	No Cross			D	
TLP3520A	No Cross			D	
TLP3521	No Cross			D	
TLP3526	No Cross			D	
TLP3527	No Cross			D	

A = Direct Electrical/Mechanical Replacement

B = Direct Electrical Drop-In Replacement Likely Insignificant Difference

C = Same Electrical Function / Not Drop in Electrical/Mechanical Replacement

D = No Cross

Toshiba	Cross (Exact Alternate)	Package	Sales Tip(s)	Code	Comment(s)
TLP3530	No Cross			D	

Note:

LF1 / LF4 / LF5 = Surface Mount Lead Bends Different Types
 LF2 = Special 10.16 mm Lead Bend (NEC "L1" option)
 TPL / TPR = Tape and Reel Specification
 TP1 / TP4 / TP5 = Tape and Reel Specification

Siemens	Cross (Exact Alternate)	Package	Sales Tip(s)	Code	Comment(s)
4N32	PS2603	6 Pin DIP	PS2502-1/PS2562-1 4 Pin Replacement Lower Cost	B	
4N33	PS2603	6 Pin DIP	PS2502-1/PS2562-1 4 Pin Replacement Lower Cost	B	
4N39	No Cross			D	
6N135	PS8601	8 Pin DIP		A	
6N136	PS8601	8 Pin DIP		A	
6N138	No Cross			D	
6N139	No Cross			D	
CNY17F	PS2602	6 Pin DIP	PS2501-1/PS2561-1 4 Pin Replacement Lower Cost	A	
H11AA1	PS2625	6 Pin DIP	PS2525-1 4 Pin Replacement Lower Cost	A	
H11B1	PS2603-L	6 Pin DIP	PS2502-1/PS2562-1 4 Pin Replacement Lower Cost	A	
H11B2	PS2603-M	6 Pin DIP	PS2502-1/PS2562-1 4 Pin Replacement Lower Cost	A	
H11B3	PS2603	6 Pin DIP	PS2502-1/PS2562-1 4 Pin Replacement Lower Cost	A	
IL1	PS2601	6 Pin DIP	PS2501-1/PS2561-1 4 Pin Replacement Lower Cost	A	
IL30	PS2603	6 Pin DIP	PS2502-1/PS2562-1 4 Pin Replacement Lower Cost	A	
IL31	PS2603	6 Pin DIP	PS2502-1/PS2562-1 4 Pin Replacement Lower Cost	B	Check Power Rating
IL55	PS2603	6 Pin DIP	PS2502-1/PS2562-1 4 Pin Replacement Lower Cost	B	Check Power Rating
ILD30	No Cross	8 Pin DIP		D	
ILD31	No Cross	8 Pin DIP		D	
ILD55	No Cross	8 Pin DIP		D	
ILQ30	No Cross	16 Pin DIP		D	
ILQ31	No Cross	16 Pin DIP		D	
ILQ55	No Cross	16 Pin DIP		D	
IL55B	PS2604	6 Pin DIP	PS2502-1/PS2562-1 4 Pin Replacement Lower Cost	B	
IL66	PS2633	6 Pin DIP	PS2532-1 4 Pin Replacement Lower Cost	B	
ILD66	See Comment	8 Pin DIP	PS2502-2 8 Pin Electrical Function can be used for this App.	D	
ILQ66	See Comment	16 Pin DIP	PS2502-4 8 Pin Electrical Function can be used for this App.	D	
IL66B	PS2634	6 Pin DIP	PS502-1/PS2562-1 4 Pin Replacement Lower Cost	B	
IL74	PS2601	6 Pin DIP	PS2501-1/PS2561-1 4 Pin Replacement Lower Cost	B	
ILD74	See Comment	8 Pin DIP	PS2501-2 Electrical Function can be used for this App.	D	
ILQ74	See Comment	16 Pin DIP	PS2501-4 Electrical Function Can be used for this App.	D	
IL201	PS2601-D	6 Pin DIP	PS2561-1-H 4 Pin Electrical Replacement Lower Cost	B	
IL202	PS2601-K	6 Pin DIP	PS2561-1-L 4 Pin Electrical Replacement Lower Cost	B	
IL203	PS2601-K	6 Pin DIP	PS2561-1-L 4 Pin Electrical Replacement Lower Cost	B	
IL205A	See Comment	8 Pin SSOP	PS2801-1 4 Pin Electrical Replacement Lower Cost	D	
IL206A	See Comment	8 Pin SSOP	PS2801-1 4 Pin Electrical Replacement Lower Cost	D	
IL207A	See Comment	8 Pin SSOP	PS2801-1 4 Pin Electrical Replacement Lower Cost	D	
IL208	See Comment	8 Pin SSOP	PS2801-14 Pin Electrical Replacement Lower Cost	D	
IL211A	See Comment	8 Pin SSOP	PS2801-1 4 Pin Electrical Replacement Lower Cost	D	
L212A	See Comment	8 Pin SSOP	PS2801-1 4 Pin Electrical Replacement Lower Cost	D	
IL213A	See Comment	8 Pin SSOP	PS2801-1 4 Pin Electrical Replacement Lower Cost	D	
IL215A	See Comment	8 Pin SSOP	PS2801-1 4 Pin Electrical Replacement Lower Cost	D	
IL216A	See Comment	8 Pin SSOP	PS2801-1 4 Pin Electrical Replacement Lower Cost	D	
IL217A	See Comment	8 Pin SSOP	PS2801-1 4 Pin Electrical Replacement Lower Cost	D	
IL221A	See Comment	8 Pin SSOP	PS2801-1 4 Pin Electrical Replacement Lower Cost	D	
IIL222A	See Comment	8 Pin SSOP	PS2801-1 4 Pin Electrical Replacement Lower Cost	D	
IL223A	See Comment	8 Pin SSOP	PS2801-1 4 Pin Electrical Replacement Lower Cost	D	
IL250	PS2605	6 Pin DIP		B	

A = Direct Electrical/Mechanical Replacement
 B = Direct Electrical Drop-In Replacement Likely Insignificant Difference
 C = Same Electrical Function / Not Drop in Electrical/Mechanical Replacement
 D = No Cross

Siemens	Cross (Exact Alternate)	Package	Sales Tip(s)	Code	Comment(s)
IL251	PS2605	6 Pin DIP		B	
IL252	PS2605	6 Pin DIP		B	
ILD250	PS2505-2	8 Pin DIP		B	
ILD251	PS2505-2	8 Pin DIP		B	
ILD252	PS2505-2	8 Pin DIP		B	
IL255	PS2605	6 Pin DIP		B	
IL256	See Comment	8 Pin 1/2 SOP	PS2805-1 4 Pin Electrical Replacement Lower Cost	D	
IL300	No Cross			D	
IL329	See Comment	8 Pin SOP	PS7241-AT5 is Lower Cost Standard Industry Pinout	D	
IL350	No Cross			D	
IL352	No Cross			D	
IL388	No Cross			D	
IL410	No Cross			D	
IL420	No Cross			D	
IL440	No Cross			D	
IL755	PS2603	6 Pin DIP	PS2502-1/PS2562-1 4 Pin Electrical Replacement Lower Cost	B	
IL755-2	No Cross	8 Pin DIP	PS2502-2 Lower Cost Electrical Function	D	
IL755B	PS2604	6 Pin DIP	PS2502-1/PS2562-1 4 Pin Electrical Replacement Lower Cost	B	
IL766	PS2633	6 Pin DIP	PS2532-1 4 Pin Electrical Replacement Lower Cost	D	
IL766-2	No Cross	8 Pin DIP		D	
ILD766	No Cross	8 Pin DIP		D	
IL766B	PS2634	6 Pin DIP	PS2532-1 4 Pin Electrical Replacement Lower Cost	D	
IL4108	No Cross	6 Pin DIP		D	
IL4116	No Cross	6 Pin DIP		D	
IL4117	No Cross	6 Pin DIP		D	
IL4118	No Cross	6 Pin DIP		D	
IL4216	No Cross	6 Pin DIP	Non Promotive/No New Designs	A	
IL4217	No Cross	6 Pin DIP		D	
IL4218	No Cross	6 Pin DIP		D	
ILCT6	No Cross	8 Pin DIP	PS2501-2 Lower Cost Same Electrical Function	D	
ILD1	No Cross	8 Pin DIP	PS2501-2 Lower Cost Same Electrical Function	D	
ILD2	No Cross	8 Pin DIP	PS2501-2 Lower Cost Same Electrical Function	D	
ILD5	No Cross	8 Pin DIP	PS2501-2 Lower Cost Same Electrical Function	D	
ILQ1	No Cross	16 Pin DIP	PS2501-4 Lower Cost Same Electrical Function	D	
ILQ2	No Cross	16 Pin DIP	PS2501-4 Lower Cost Same Electrical Function	D	
ILQ5	No Cross	16 Pin DIP	PS2501-4 Lower Cost Same Electrical Function	D	
ILD3	No Cross	8 Pin DIP	PS2501-2 Lower Cost Same Electrical Function	D	
ILQ3	No Cross	16 Pin DIP	PS2501-4 Lower Cost Same Electrical Function	D	
ILD32	No Cross	8 Pin DIP	PS2502-2 Lower Cost Same Electrical Function	D	
ILQ32	No Cross	16 Pin DIP	PS2502-5 Lower Cost Same Electrical Function	D	
ILD205	PS2801-1 x 2	8 Pin SSOP	Please call for CTR Rank Information	C	
ILD206	PS2801-1 x 2	8 Pin SSOP	Please call for CTR Rank Information	C	
ILD207	PS2801-1 x 2	8 Pin SSOP	Please call for CTR Rank Information	C	
ILD211	PS2801-1 x 2	8 Pin SSOP	Please call for CTR Rank Information	C	
ILD213	PS2801-1 x 2	8 Pin SSOP	Please call for CTR Rank Information	C	
ILD217	PS2801-1 x 2	8 Pin SSOP	Please call for CTR Rank Information	C	
ILD223	PS2802-1 x 2	8 Pin SSOP		A	
ILD255	No Cross	8 Pin SSOP	PS2805-2 Lower Cost Same Electrical Function	A	
ILD256	PS2805-1 x 2	8 Pin SSOP		A	
ILD610	PS2501-2	8 Pin DIP		B	
ILD610-1	PS2501-2-H	8 Pin DIP		B	
ILD610-2	PS2501-2-H	8 Pin DIP		B	
ILD610-3	PS2501-2-D	8 Pin DIP		B	
ILD610-4	PS2501-2-M	8 Pin DIP		B	
ILD615	PS2501-2	8 Pin DIP		B	
ILD615-1	PS2501-2-H	8 Pin DIP		B	
ILD615-2	PS2501-2-H	8 Pin DIP		B	

A = Direct Electrical/Mechanical Replacement

B = Direct Electrical Drop-In Replacement Likely Insignificant Difference

C = Same Electrical Function / Not Drop in Electrical/Mechanical Replacement

D = No Cross

Siemens	Cross (Exact Alternate)	Package	Sales Tip(s)	Code	Comment(s)
ILD615-3	PS2501-2-D	8 Pin DIP		B	
ILD615-4	PS2501-2-L	8 Pin DIP		B	
ILQ615	PS2501-4	16 Pin DIP		B	
ILQ615	PS2501-4-H	16 Pin DIP		B	
ILQ615	PS2501-4-H	16 Pin DIP		B	
ILQ615	PS2501-4-D	16 Pin DIP		B	
ILQ615	PS2501-4-M	16 Pin DIP		B	
ILD620	PS2501-2	8 Pin DIP		A	
ILD620GB	PS2501-2-L	8 Pin DIP		A	
ILQ620	PS2501-4	16 Pin DIP		A	
ILQ620GB	PS2501-4-L	16 Pin DIP		A	
ILD621	PS2505-2	8 Pin DIP		A	
ILD621GB	PS2505-2	8 Pin DIP		B	
ILQ621	PS2505-4	16 Pin DIP		A	
ILQ621GB	PS2505-4	16 Pin DIP		B	
ILH100	No Cross			D	
ILH200	No Cross			D	
MCA230	PS2603	6 Pin DIP	PS2502-1/PS2562-1 Lower Cost 4 Pin Replacement	B	
MCA231	PS2603	6 Pin DIP	PS2502-1/PS2562-1 Lower Cost 4 Pin Replacement	B	
MCA255	PS2603	6 Pin DIP	PS2502-1/PS2562-1 Lower Cost 4 Pin Replacement	B	
MCT6	No Cross	8 Pin DIP	PS2501-2 Lower Cost 4 Pin Replacement	D	
MCT5210	PS2601	6 Pin DIP	PS2561-1/PS2501-1 Lower Cost 4 Pin Replacement	B	
MCT5211	PS2601	6 Pin DIP	PS2561-1/PS2501-1 Lower Cost 4 Pin Replacement	B	
MOC8050	PS2604	6 Pin DIP	PS2502-1/PS2562-1 Lower Cost 4 Pin Replacement	B	
MOC8111	PS2602	6 Pin DIP	PS2501-1/PS2561-1 Lower Cost 4 Pin Replacement	B	
SFH600	PS2601	6 Pin DIP	PS2501-1/PS2561-1 Lower Cost 4 Pin Replacement	B	
SFH601	PS2601	6 Pin DIP	PS2501-1/PS2561-1 Lower Cost 4 Pin Replacement	B	
SFH601-1	PS2601-M	6 Pin DIP	PS2501-1/PS2561-1 Lower Cost 4 Pin Replacement	B	
SFH601-2	PS2601-M	6 Pin DIP	PS2501-1/PS2561-1 Lower Cost 4 Pin Replacement	B	
SFH601-3	PS2601-M	6 Pin DIP	PS2501-1/PS2561-1 Lower Cost 4 Pin Replacement	B	
SFH601-3	PS2601-M	6 Pin DIP	PS2501-1/PS2561-1 Lower Cost 4 Pin Replacement	B	
SFH608	PS2601	6 Pin DIP	PS2501-1/PS2561-1 Lower Cost 4 Pin Replacement	B	
SFH608-2	PS2601-M	6 Pin DIP	PS2501-1/PS2561-1 Lower Cost 4 Pin Replacement	B	
SFH608-3	PS2601-L	6 Pin DIP	PS2501-1/PS2561-1 Lower Cost 4 Pin Replacement	B	
SFH608-4	PS2601-K	6 Pin DIP	PS2501-1/PS2561-1 Lower Cost 4 Pin Replacement	B	
SFH608-5	PS2601-K	6 Pin DIP	PS2501-1/PS2561-1 Lower Cost 4 Pin Replacement	B	
SFH610A	PS2501-1 (PS2561-1)	4 Pin DIP		A	
SFH610A-1	PS2501-1 (PS2561-1)	4 Pin DIP	Siemen's CTR = 40-80 %	B	
SFH610A-2	PS2501-1 (PS2561-1)	4 Pin DIP	Siemen's CTR = 63-125 %	B	
SFH610A-3	PS2501-1 (PS2561-1)	4 Pin DIP	Siemen's CTR = 100-200 %	B	
SFH610A-4	PS2501-1 (PS2561-1)	4 Pin DIP	Siemen's CTR = 160-320 %	B	
SFH611A	PS2501-1 (PS2561-1)	4 Pin DIP		A	
SFH615A	PS2501-1 (PS2561-1)	4 Pin DIP		A	
SFH617A	PS2501-1 (PS2561-1)	4 Pin DIP		A	
SFH618A	PS2501-1 (PS2561-1)	4 Pin DIP		A	
SFH620A	PS2505-1 (PS2565-1)	4 Pin DIP		B	
SFH620AA	PS2505-1 (PS2565-1)	4 Pin DIP		B	
SFH628A	PS2501-1 (PS2561-1)	4 Pin DIP		A	
SFH636	PS8701-1	5 Pin SOP	SOP Version of the SFH636	C	
SFH640	No Cross	6 Pin DIP	300 V Vceo	C	
SFH640-1	No Cross	6 Pin DIP	300 V Vceo	C	
SFH640-2	No Cross	6 Pin DIP	300 V Vceo	C	
SFH640-3	No Cross	6 Pin DIP	300 V Vceo	C	
SFH6135	PS8601	6 Pin DIP		A	
SFH6136	PS8601	6 Pin DIP		A	
SFH6138	No Cross	8 Pin DIP		D	
SFH6139	No Cross	8 Pin DIP		D	

A = Direct Electrical/Mechanical Replacement

B = Direct Electrical Drop-In Replacement Likely Insignificant Difference

C = Same Electrical Function / Not Drop in Electrical/Mechanical Replacement

D = No Cross

Siemens	Cross (Exact Alternate)	Package	Sales Tip(s)	Code	Comment(s)
SFH6315	No Cross	8 Pin SSOP		D	
SFH6316	No Cross	8 Pin SSOP		D	
SFH6318	No Cross	8 Pin SSOP		D	
SFH6319	No Cross	8 Pin SSOP		D	
SFH6325	No Cross	8 Pin SSOP		D	
SFH6326	No Cross	8 Pin SSOP		D	
SFH6343	No Cross	8 Pin SSOP		D	
SFH6345	No Cross	8 Pin DIP		D	
SFH6700	No Cross	8 Pin DIP		D	
SFH6701	No Cross	8 Pin DIP		D	
SFH6702	No Cross	8 Pin DIP		D	
SFH6705	No Cross	8 Pin DIP		D	
SFH6711	No Cross	8 Pin DIP		D	
SFH6712	No Cross	8 Pin DIP		D	
SFH6719	No Cross	8 Pin DIP		D	
SFH6943	No Cross	8 Pin DIP		D	

QTC	Cross (Exact Alternate)	Package	Sales Tip(s)	Code	Comment(s)
4N25	PS2601	6 Pin DIP	PS2501-1/PS2561-1 Lower Cost 4 Pin Replacement	B	
4N26	PS2601	6 Pin DIP	PS2501-1/PS2561-1 Lower Cost 4 Pin Replacement	B	
4N27	PS2601	6 Pin DIP	PS2501-1/PS2561-1 Lower Cost 4 Pin Replacement	B	
4N28	PS2601	6 Pin DIP	PS2501-1/PS2561-1 Lower Cost 4 Pin Replacement	B	
4N29	PS2603	6 Pin DIP	PS2502-1/PS2562-1 Lower Cost 4 Pin Replacement	B	
4N30	PS2603	6 Pin DIP	PS2502-1/PS2562-1 Lower Cost 4 Pin Replacement	B	
4N31	PS2603	6 Pin DIP	PS2502-1/PS2562-1 Lower Cost 4 Pin Replacement	B	
4N32	PS2603	6 Pin DIP	PS2502-1/PS2562-1 Lower Cost 4 Pin Replacement	B	
4N33	PS2603	6 Pin DIP	PS2502-1/PS2562-1 Lower Cost 4 Pin Replacement	B	
4N35	PS2601	6 Pin DIP	PS2501-1/PS2561-1 Lower Cost 4 Pin Replacement	B	
4N36	PS2601	6 Pin DIP	PS2501-1/PS2561-1 Lower Cost 4 Pin Replacement	B	
4N37	PS2601	6 Pin DIP	PS2501-1/PS2561-1 Lower Cost 4 Pin Replacement	B	
4N39	No Cross			D	
4N40	No Cross			D	
HCPL2503	PS8601	8 Pin DIP		A	
HCPL4502	PS8601	8 Pin DIP		B	
6N135	PS8601	8 Pin DIP		A	
6N136	PS8601	8 Pin DIP		B	
6N137	PS9601	8 Pin DIP		A	
HCPL2601	PS9701	5 Pin SOP		A	
HCPL2611	PS9601	8 Pin DIP		B	
6N138	No Cross	8 Pin DIP		D	
6N139	No Cross	8 Pin DIP		D	
74OL6000	No Cross	6 Pin DIP		D	
74OL6001	No Cross	6 Pin DIP		D	
74OL6010	No Cross	6 Pin DIP		D	
74OL6011	No Cross	6 Pin DIP		D	
CNY17-1	PS2601-M	6 Pin DIP	PS2501-1/PS2561-1 Lower Cost 4 Pin Replacement	B	
CNY17-2	PS2601-M	6 Pin DIP	PS2501-1/PS2561-1 Lower Cost 4 Pin Replacement	B	
CNY17-3	PS2601-M	6 Pin DIP	PS2501-1/PS2561-1 Lower Cost 4 Pin Replacement	B	
CNY17-4	PS2601-M	6 Pin DIP	PS2501-1/PS2561-1 Lower Cost 4 Pin Replacement	B	
CNY17F-1	PS2602-M	6 Pin DIP	PS2501-1/PS2561-1 Lower Cost 4 Pin Replacement	B	
CNY17F-2	PS2602-M	6 Pin DIP	PS2501-1/PS2561-1 Lower Cost 4 Pin Replacement	B	
CNY17F-3	PS2602-M	6 Pin DIP	PS2501-1/PS2561-1 Lower Cost 4 Pin Replacement	B	
H11A1	PS2601	6 Pin DIP	PS2501-1/PS2561-1 Lower Cost 4 Pin Replacement	B	
H11AA1	PS2625	6 Pin DIP	PS2525-1 Lower Cost 4 Pin Replacement	B	
H11AA2	PS2625	6 Pin DIP	PS2525-1 Lower Cost 4 Pin Replacement	B	
H11AA3	PS2625	6 Pin DIP	PS2525-1 Lower Cost 4 Pin Replacement	B	
H11AA4	PS2625	6 Pin DIP	PS2525-1 Lower Cost 4 Pin Replacement	B	

A = Direct Electrical/Mechanical Replacement

B = Direct Electrical Drop-In Replacement Likely Insignificant Difference

C = Same Electrical Function / Not Drop in Electrical/Mechanical Replacement

D = No Cross

QTC	Cross (Exact Alternate)	Package	Sales Tip(s)	Code	Comment(s)
H11D1	PS2601	6 Pin DIP	PS2501-1/PS2561-1 Lower Cost 4 Pin Replacement	B	
H11D2	PS2601	6 Pin DIP	PS2501-1/PS2561-1 Lower Cost 4 Pin Replacement	B	
H11D3	PS2601	6 Pin DIP	PS2501-1/PS2561-1 Lower Cost 4 Pin Replacement	B	
H11G1	PS2633	6 Pin DIP	PS2532-1 Lower Cost 4 Pin Replacement	A	
H11G2	PS2633	6 Pin DIP	PS2532-1 Lower Cost 4 Pin Replacement	A	
HCPL2530	No Cross	8 Pin DIP		D	
HCPL2531	No Cross	8 Pin DIP		D	
HCPL2630	No Cross	8 Pin DIP		D	
HCPL2631	No Cross	8 Pin DIP		D	
HCPL2730	No Cross	8 Pin DIP		D	
HCPL2731	No Cross	8 Pin DIP		D	
MCP3009	No Cross	6 Pin DIP		D	
MCP3010	No Cross	6 Pin DIP		D	
MCP3011	No Cross	6 Pin DIP		D	
MCP3020	No Cross	6 Pin DIP		D	
MCP3021	No Cross	6 Pin DIP		D	
MCP3022	No Cross	6 Pin DIP		D	
MCT2	PS2601	6 Pin DIP	PS2561-1/PS2501-1 Lower Cost 4 Pin Replacement	A	
MCT2E	PS2601	6 Pin DIP	PS2561-1/PS2501-1 Lower Cost 4 Pin Replacement	A	
MCT210	PS2601-L	6 Pin DIP	PS2561-1-L/PS2501-1-L Lower Cost 4 Pin Replacement	A	
MCT-2200	PS2601	6 Pin DIP	PS2561-1/PS2501-1 Lower Cost 4 Pin Replacement	A	
MCT-2201	PS2601-L	6 Pin DIP	PS2561-1-L/PS2501-1-L Lower Cost 4 Pin Replacement	A	
MCT-2202	PS2601-M	6 Pin DIP	PS2561-1-M/PS2501-1-M Lower Cost 4 Pin Replacement	B	
MCT-26	PS2601-M	6 Pin DIP	PS2561-1-M/PS2501-1-M Lower Cost 4 Pin Replacement	B	
MCT270	PS2601	6 Pin DIP	PS2561-1/PS2501-1 Lower Cost 4 Pin Replacement	B	
MCT-271	PS2601-M	6 Pin DIP	PS2561-1/PS2501-1 Lower Cost 4 Pin Replacement	B	
MCT272	PS2601-M	6 Pin DIP	PS2561-1/PS2501-1 Lower Cost 4 Pin Replacement	B	
MCT274	PS2601-L	6 Pin DIP	PS2561-1-L/PS2501-1-L Lower Cost 4 Pin Replacement	A	
MCT275	PS2601-M	6 Pin DIP	PS2561-1-M/PS2501-1-M Lower Cost 4 Pin Replacement	B	
MCT276	PS2601-M	6 Pin DIP	PS2561-1-M/PS2501-1-M Lower Cost 4 Pin Replacement	B	
MCT277	PS2601	6 Pin DIP	PS2561-1/PS2501-1 Lower Cost 4 Pin Replacement	A	
MCT5200	PS2601	6 Pin DIP	PS2561-1/PS2501-1 Lower Cost 4 Pin Replacement	A	
MCT5201	PS2601	6 Pin DIP	PS2561-1/PS2501-1 Lower Cost 4 Pin Replacement	A	
MCT5210	PS2601	6 Pin DIP	PS2561-1/PS2501-1 Lower Cost 4 Pin Replacement	A	
MCT5211	PS2601	6 Pin DIP	PS2561-1/PS2501-1 Lower Cost 4 Pin Replacement	A	
MCT6	No Cross	8 Pin DIP	PS2501-2 Electrically Functional Equivalent Lower Cost	C	
MCT61	No Cross	8 Pin DIP	PS2501-2 Electrically Functional Equivalent Lower Cost	C	
MCT62	No Cross	8 Pin DIP	PS2501-2 Electrically Functional Equivalent Lower Cost	C	
MCT9001	PS2501-2	8 Pin DIP		A	
MID400	No Cross	8 Pin DIP		D	
MOC8111	PS2602	6 Pin DIP	PS2561-1/PS2501-1 Lower Cost 4 Pin Replacement	A	
MOC8112	PS2602	6 Pin DIP	PS2561-1/PS2501-1 Lower Cost 4 Pin Replacement	A	
MOC8113	PS2602	6 Pin DIP	PS2561-1/PS2501-1 Lower Cost 4 Pin Replacement	A	
TIL111	PS2621	6 Pin DIP	PS2521-1 Lower Cost 4 Pin Replacement	B	
H11A1	PS2601	6 Pin DIP	PS2561-1/PS2501-1 Lower Cost 4 Pin Replacement	B	
H11A2	PS2601	6 Pin DIP	PS2561-1/PS2501-1 Lower Cost 4 Pin Replacement	B	
H11A3	PS2601	6 Pin DIP	PS2561-1/PS2501-1 Lower Cost 4 Pin Replacement	B	
H11A4	PS2601	6 Pin DIP	PS2561-1/PS2501-1 Lower Cost 4 Pin Replacement	B	
H11A5	PS2601	6 Pin DIP	PS2561-1/PS2501-1 Lower Cost 4 Pin Replacement	B	
H11A1Z	PS2601	6 Pin DIP	PS2561-1/PS2501-1 Lower Cost 4 Pin Replacement	B	
H11AG1	PS2601	6 Pin DIP	PS2561-1/PS2501-1 Lower Cost 4 Pin Replacement	B	
H11AG2	PS2601	6 Pin DIP	PS2561-1/PS2501-1 Lower Cost 4 Pin Replacement	B	
H11AG3	PS2601	6 Pin DIP	PS2561-1/PS2501-1 Lower Cost 4 Pin Replacement	B	
H11B1	PS2603	6 Pin DIP	PS2502-1/PS2562-1 Lower Cost 4 Pin Replacement	B	
H11B2	PS2603	6 Pin DIP	PS2502-1/PS2562-1 Lower Cost 4 Pin Replacement	B	
H11B3	PS2603	6 Pin DIP	PS2502-1/PS2562-1 Lower Cost 4 Pin Replacement	B	
H11C1	No Cross			D	

A = Direct Electrical/Mechanical Replacement

B = Direct Electrical Drop-In Replacement Likely Insignificant Difference

C = Same Electrical Function / Not Drop in Electrical/Mechanical Replacement

D = No Cross

QTC	Cross (Exact Alternate)	Package	Sales Tip(s)	Code	Comment(s)
H11C2	No Cross			D	
H11C3	No Cross			D	
H11C4	No Cross			D	
H11C5	No Cross			D	
H11C6	No Cross			D	
H11D1	PS2631	6 Pin DIP		B	
H11D2	PS2631	6 Pin DIP		B	
H11D3	PS2631	6 Pin DIP		B	
H11F1	No Cross			D	
H11F2	No Cross			D	
H11F3	No Cross			D	
H11L1	No Cross	6 Pin DIP		D	
H11L2	No Cross	6 Pin DIP		D	
H11L3	No Cross	6 Pin DIP		D	
H11N1	No Cross	6 Pin DIP		D	
H11N2	No Cross	6 Pin DIP		D	
H11N3	No Cross	6 Pin DIP		D	
H24A1	PS2502-1 (PS2562-1)	4 Pin DIP		C	
H24A2	PS2502-1 (PS2562-1)	4 Pin DIP		C	
H24B1	PS2502-1 (PS2562-1)	4 Pin DIP		C	
H24B2	PS2502-1 (PS2562-1)	4 Pin DIP		C	
MCT4	No Cross	LED		D	
MOC3009	No Cross	6 Pin DIP		D	
MOC3010	No Cross	6 Pin DIP		D	
MOC3011	No Cross	6 Pin DIP		D	
MOC3012	No Cross	6 Pin DIP		D	
MOC3020	No Cross	6 Pin DIP		D	
MOC3021	No Cross	6 Pin DIP		D	
MOC3022	No Cross	6 Pin DIP		D	
MOC3023	No Cross	6 Pin DIP		D	

Note:

-S = Surface Mount Option

-SD = Surface Mount Tape and Reel Option

-200D = Surface Mount Tape and Reel Option

Hewlett Packard	Cross (Exact Alternate)	Package	Sales Tip(s)	Code	Comment(s)
6N135	PS8601	8 Pin DIP		A	
6N136	PS8601	8 Pin DIP		B	
HCNR200	No Cross	8 Pin DIP		D	
HCNR201	No Cross	8 Pin DIP		D	
HCNW135	PS8601	8 Pin DIP		B	
HCNW136	PS8601	8 Pin DIP		B	
HCNW137	PS9601	8 Pin DIP		B	
HCNW138	No Cross	8 Pin DIP		D	
HCNW139	No Cross	8 Pin DIP		D	
HCNW2201	No Cross	8 Pin DIP		D	
HCNW2211	No Cross	8 Pin DIP		D	
HCNW2601	PS9601	8 Pin DIP		B	
HCNW2611	PS9601	8 Pin DIP		B	
HCNW4502	PS8601	8 Pin DIP		B	
HCNW4503	PS8601	8 Pin DIP		B	
HCNW4504	PS8601	8 Pin DIP		A	
HCNW4506	No Cross	8 Pin DIP		D	
HCNW4562	PS8601	8 Pin DIP		B	

A = Direct Electrical/Mechanical Replacement

B = Direct Electrical Drop-In Replacement Likely Insignificant Difference

C = Same Electrical Function / Not Drop in Electrical/Mechanical Replacement

D = No Cross

Hewlett Packard	Cross (Exact Alternate)	Package	Sales Tip(s)	Code	Comment(s)
HCPL-0201	No Cross	8 Pin DIP		D	
HCPL-0211	No Cross	8 Pin DIP		D	
HCPL-0452	PS8601	8 Pin DIP		B	
HCPL-0453	PS8601	8 Pin DIP		B	
HCPL-0454	PS8601	8 Pin DIP		A	
HCPL-0466	No Cross	8 Pin DIP		D	
HCPL-0500	PS8601	8 Pin DIP		B	
HCPL-0501	PS8601	8 Pin DIP		B	
HCPL-0530	No Cross	8 Pin DIP	2 of the PS8701 NEC Lower Cost Smaller	D	
HCPL-0531	No Cross	8 Pin DIP	2 of the PS8701 NEC Lower Cost Smaller	D	
HCPL-0534	No Cross	8 Pin DIP	2 of the PS8701 NEC Lower Cost Smaller	D	
HCPL-0560	No Cross	8 Pin DIP	2 of the PS8701 NEC Lower Cost Smaller	D	
HCPL-0561	No Cross	8 Pin DIP	2 of the PS8701 NEC Lower Cost Smaller	D	
HCPL-0600	PS9601	8 Pin DIP		B	
HCPL-0601	PS9601	8 Pin DIP		B	
HCPL-0611	PS9601	8 Pin DIP		B	
HCPL-061A	PS9601	8 Pin DIP		B	
HCPL-0630	No Cross	8 Pin DIP		D	
HCPL-0631	No Cross	8 Pin DIP		D	
HCPL-063A	No Cross	8 Pin DIP		D	
HCPL-063N	No Cross	8 Pin DIP		D	
HCPL-0661	No Cross	8 Pin DIP		D	
HCPL-0700	No Cross	8 Pin DIP		D	
HCPL-0701	No Cross	8 Pin DIP		D	
HCPL-070A	No Cross	8 Pin DIP		D	
HCPL-0730	No Cross	8 Pin SOIC	PS2732-2 closest cross	D	
HCPL-0731	No Cross	8 Pin SOIC	PS2732-2 closest cross	D	
HCPL-073A	No Cross	8 Pin SOIC		D	
HCPL-0870	No Cross	A/D Converter		D	
HCPL-177K	No Cross	8 Pin DIP		D	
HCPL-1930	No Cross	16 Pin DIP		D	
HCPL-1931	No Cross	16 Pin DIP		D	
HCPL-193K	No Cross	16 Pin DIP		D	
HCPL-2200	No Cross	8 Pin DIP		D	
HCPL-2201	No Cross	8 Pin DIP		D	
HCPL-2202	No Cross	8 Pin DIP		D	
HCPL-2211	No Cross	8 Pin DIP		D	
HCPL-2212	No Cross	8 Pin DIP		D	
HCPL-2219	No Cross	8 Pin DIP		D	
HCPL-2231	No Cross	8 Pin DIP		D	
HCPL-2232	No Cross	8 Pin DIP		D	
HCPL-2300	No Cross	8 Pin SOIC		D	
HCPL-2400	PS9634	8 Pin DIP		B	
HCPL-2430	No Cross	8 Pin DIP		D	
HCPL-2502	PS8601	8 Pin DIP		B	
HCPL-2530	No Cross			D	
HCPL-2531	No Cross			D	
HCPL-257K	PS8601	8 Pin DIP	Hermetically Sealed HP Package	B	
HCPL-2601	No Cross	8 Pin DIP		D	
HCPL-2602	No Cross			D	
HCPL-2611	No Cross			D	
HCPL-2612	No Cross			D	
HCPL-261A	No Cross			D	
HCPL-261N	No Cross			D	
HCPL-2630	No Cross			D	
HCPL-2631	No Cross			D	
HCPL-263A	PS9701	5 Pin SOP		B	

A = Direct Electrical/Mechanical Replacement
B = Direct Electrical Drop-In Replacement Likely Insignificant Difference
C = Same Electrical Function / Not Drop in Electrical/Mechanical Replacement
D = No Cross

Hewlett Packard	Cross (Exact Alternate)	Package	Sales Tip(s)	Code	Comment(s)
HCPL-263N	PS9701	5 Pin SOP		B	
HCPL-2730	No Cross			D	
HCPL-2731	No Cross			D	
HCPL-3000	No Cross			D	
HCPL-3100	PS9634	8 Pin DIP		B	
HCPL-3101	PS9634	8 Pin DIP		B	
HCPL-3120	No Cross			D	
HCPL-3150	No Cross			D	
HCPL-3160	No Cross			D	
HCPL-3700	No Cross			D	
HCPL-3760	No Cross			D	
HCPL-4100	No Cross			D	
HCPL-4200	No Cross			D	
HCPL-4502	PS8602	8 Pin DIP		B	
HCPL-4503	PS8602	8 Pin DIP		B	
HCPL-4504	PS8602	8 Pin DIP		B	
HCPL-4506	No Cross			D	
HCPL-4534	No Cross		PS8701 Same Electrical Function One Channel	C	
HCPL-4562	PS8602	8 Pin DIP		C	
HCPL-4661	No Cross			D	
HCPL-4701	No Cross			D	
HCPL-4731	No Cross			D	
HCPL-5200	No Cross			D	
HCPL-5201	No Cross			D	
HCPL-520K	No Cross			D	
HCPL-5230	No Cross			D	
HCPL-5231	No Cross			D	
HCPL-523K	No Cross			D	
HCPL-5300	No Cross			D	
HCPL-5301	No Cross			D	
HCPL-530K	No Cross			D	
HCPL-5400	No Cross			D	
HCPL-5401	No Cross			D	
HCPL-540K	No Cross			D	
HCPL-5430	No Cross			D	
HCPL-5431	No Cross			D	
HCPL-543K	No Cross			D	
HCPL-5500	No Cross			D	
HCPL-5501	No Cross			D	
HCPL-550K	No Cross			D	
HCPL-5530	No Cross			D	
HCPL-553K	No Cross			D	
HCPL-5600	PS9601/PS9611	8 Pin DIP	HP is Hermetically Sealed	B	
HCPL-5601	PS9601/PS9611	8 Pin DIP	HP is Hermetically Sealed	B	
HCPL-560K	PS9601/PS9611	8 Pin DIP	HP is Hermetically Sealed	B	
HCPL-5630	PS9601/PS9611	8 Pin DIP	HP is Hermetically Sealed	B	
HCPL-5631	PS9601/PS9611	8 Pin DIP	HP is Hermetically Sealed	B	
HCPL-563K	PS9601/PS9611	8 Pin DIP	HP is Hermetically Sealed	B	
HCPL-5700	No Cross			D	
HCPL-5701	No Cross			D	
HCPL-570K	No Cross			D	
HCPL-5730	No Cross			D	
HCPL-5731	No Cross			D	
HCPL-573K	No Cross			D	
HCPL-5760	No Cross			D	
HCPL-5761	No Cross			D	
HCPL-576K	No Cross			D	

A = Direct Electrical/Mechanical Replacement

B = Direct Electrical Drop-In Replacement Likely Insignificant Difference

C = Same Electrical Function / Not Drop in Electrical/Mechanical Replacement

D = No Cross

Hewlett Packard	Cross (Exact Alternate)	Package	Sales Tip(s)	Code	Comment(s)
HCPL-6230	No Cross			D	
HCPL-6231	No Cross			D	
HCPL-623K	No Cross			D	
HCPL-6250	No Cross			D	
HCPL-6251	No Cross			D	
HCPL-625K	No Cross			D	
HCPL-6430	No Cross			D	
HCPL-6431	No Cross			D	
HCPL-643K	No Cross			D	
HCPL-6530	PC8601	8 Pin DIP	HP is Hermetically Sealed	B	
HCPL-6531	PC8601	8 Pin DIP	HP is Hermetically Sealed	B	
HCPL-653K	PC8601	8 Pin DIP	HP is Hermetically Sealed	B	
HCPL-6550	PC8601	8 Pin DIP	HP is Hermetically Sealed	B	
HCPL-6551	PC8601	8 Pin DIP	HP is Hermetically Sealed	B	
HCPL-655K	PC8601	8 Pin DIP	HP is Hermetically Sealed	B	
HCPL-6630	PC9601/PS9611	8 Pin DIP	HP is Hermetically Sealed	B	
HCPL-6631	PC9601/PS9611	8 Pin DIP	HP is Hermetically Sealed	B	
HCPL-663K	PC9601/PS9611	8 Pin DIP	HP is Hermetically Sealed	B	
HCPL-6650	PC9601/PS9611	8 Pin DIP	HP is Hermetically Sealed	B	
HCPL-6651	PC9601/PS9611	8 Pin DIP	HP is Hermetically Sealed	B	
HCPL-665K	PC9601/PS9611	8 Pin DIP	HP is Hermetically Sealed	B	
HCPL-6730	No Cross	8 Pin DIP		D	
HCPL-6731	No Cross	8 Pin DIP		D	
HCPL-673K	No Cross	8 Pin DIP		D	
HCPL-6750	No Cross	8 Pin DIP		D	
HCPL-6751	No Cross	8 Pin DIP		D	
HCPL-675K	No Cross	8 Pin DIP		D	
HCPL-7100	No Cross	8 Pin DIP		D	
HCPL-7101	No Cross	8 Pin DIP		D	
HCPL-7800	No Cross	8 Pin DIP		D	
HCPL-7800A	No Cross	8 Pin DIP		D	
HCPL-7800B	No Cross	8 Pin DIP		D	
HCPL-7820	No Cross	8 Pin DIP		D	
HCPL-7825	No Cross	8 Pin DIP		D	
HCPL-7840	No Cross	8 Pin DIP		D	
HCPL-7860	No Cross	8 Pin DIP		D	
HCPL-7870	No Cross	8 Pin DIP		D	

Note:

- 300 = Gull Wing
- 500 = Tape and Reel
- HP may be hermetically sealed

Lite-On	Cross (Exact Alternate)	Package	Sales Tip(s)	Code	Comment(s)
LRV-4N26S	PS2601L	6 Pin DIP	PS2501-1/PS2561-1 Lower Cost 4 Pin Replacement	B	
LTV-4N25	PS2601	6 Pin DIP	PS2501-1/PS2561-1 Lower Cost 4 Pin Replacement	B	
LTV-4N25SA	PS2601L	6 Pin DIP	PS2501-1/PS2561-1 Lower Cost 4 Pin Replacement	B	
LTV-4N25M	PS2601L1	6 Pin DIP	PS2501-1/PS2561-1 Lower Cost 4 Pin Replacement	B	
LTV-4N26	PS2601	6 Pin DIP	PS2501-1/PS2561-1 Lower Cost 4 Pin Replacement	B	
LTV-4N26S	PS2601L	6 Pin DIP	PS2501-1/PS2561-1 Lower Cost 4 Pin Replacement	B	
LTV-4N26M	PS2601L1	6 Pin DIP	PS2501-1/PS2561-1 Lower Cost 4 Pin Replacement	B	
LTV-4N27	PS2601	6 Pin DIP	PS2501-1/PS2561-1 Lower Cost 4 Pin Replacement	B	
LTV-4N26M	PS2601L1	6 Pin DIP	PS2501-1/PS2561-1 Lower Cost 4 Pin Replacement	B	
LTV-4N28	PS2601	6 Pin DIP	PS2501-1/PS2561-1 Lower Cost 4 Pin Replacement	B	
LTV-4N28S	PS2601L	6 Pin DIP	PS2501-1/PS2561-1 Lower Cost 4 Pin Replacement	B	
LTV-4N28M	PS2601L1	6 Pin DIP	PS2501-1/PS2561-1 Lower Cost 4 Pin Replacement	B	

A = Direct Electrical/Mechanical Replacement
 B = Direct Electrical Drop-In Replacement Likely Insignificant Difference
 C = Same Electrical Function / Not Drop in Electrical/Mechanical Replacement
 D = No Cross

Lite-On	Cross (Exact Alternate)	Package	Sales Tip(s)	Code	Comment(s)
LTV-4N32	PS2603	6 Pin DIP	PS2502-1/PS2562-1 Lower Cost 4 Pin Replacement	B	
LTV-4N32S	PS2603L	6 Pin DIP	PS2502-1/PS2562-1 Lower Cost 4 Pin Replacement	B	
LTV-4N32M	PS2603	6 Pin DIP	PS2502-1/PS2562-1 Lower Cost 4 Pin Replacement	B	
LTV-4N33	PS2603	6 Pin DIP	PS2502-1/PS2562-1 Lower Cost 4 Pin Replacement	B	
LTV-4N33S	PS2603L	6 Pin DIP	PS2502-1/PS2562-1 Lower Cost 4 Pin Replacement	B	
LTV-4N33M	PS2603	6 Pin DIP	PS2502-1/PS2562-1 Lower Cost 4 Pin Replacement	B	
LTV-4N35	PS2601	6 Pin DIP	PS2501-1/PS2561-1 Lower Cost 4 Pin Replacement	B	
LTV-4N35S	PS2601L	6 Pin DIP	PS2501-1/PS2561-1 Lower Cost 4 Pin Replacement	B	
LTV-4N35M	PS2601L1	6 Pin DIP	PS2501-1/PS2561-1 Lower Cost 4 Pin Replacement	B	
LTV-4N37	PS2601	6 Pin DIP	PS2501-1/PS2561-1 Lower Cost 4 Pin Replacement	B	
LTV-4N37S	PS2601L	6 Pin DIP	PS2501-1/PS2561-1 Lower Cost 4 Pin Replacement	B	
LTV-4N37M	PS2601L1	6 Pin DIP	PS2501-1/PS2561-1 Lower Cost 4 Pin Replacement	B	
LTV-702V	PS2601	6 Pin DIP	PS2501-1/PS2561-1 Lower Cost 4 Pin Replacement	B	
LTV-702VS	PS2601L	6 Pin DIP	PS2501-1/PS2561-1 Lower Cost 4 Pin Replacement	B	
LTV-702VM	PS2601L1	6 Pin DIP	PS2501-1/PS2561-1 Lower Cost 4 Pin Replacement	B	
LTV-702F	PS2602	6 Pin DIP	PS2501-1/PS2561-1 Lower Cost 4 Pin Replacement	B	
LTV-702FS	PS2602L	6 Pin DIP	PS2501-1/PS2561-1 Lower Cost 4 Pin Replacement	B	
LTV-702FM	PS2602L1	6 Pin DIP	PS2501-1/PS2561-1 Lower Cost 4 Pin Replacement	B	
LTV-703V	PS2601	6 Pin DIP	PS2501-1/PS2561-1 Lower Cost 4 Pin Replacement	B	
LTV-703VS	PS2601L	6 Pin DIP	PS2501-1/PS2561-1 Lower Cost 4 Pin Replacement	B	
LTV-703VM	PS2601L1	6 Pin DIP	PS2501-1/PS2561-1 Lower Cost 4 Pin Replacement	B	
LTV-703F	PS2602	6 Pin DIP	PS2501-1/PS2561-1 Lower Cost 4 Pin Replacement	B	
LTV-703FS	PS2602L	6 Pin DIP	PS2501-1/PS2561-1 Lower Cost 4 Pin Replacement	B	
LTV-703FM	PS2602L1	6 Pin DIP	PS2501-1/PS2561-1 Lower Cost 4 Pin Replacement	B	
LTV-713V	PS2601	6 Pin DIP	PS2501-1/PS2561-1 Lower Cost 4 Pin Replacement	B	
LTV-713VS	PS2601L	6 Pin DIP	PS2501-1/PS2561-1 Lower Cost 4 Pin Replacement	B	
LTV-713VM	PS2601L1	6 Pin DIP	PS2501-1/PS2561-1 Lower Cost 4 Pin Replacement	B	
LTV-713F	PS2602	6 Pin DIP	PS2501-1/PS2561-1 Lower Cost 4 Pin Replacement	B	
LTV-713FS	PS2602L	6 Pin DIP	PS2501-1/PS2561-1 Lower Cost 4 Pin Replacement	B	
LTV-713FM	PS2602L1	6 Pin DIP	PS2501-1/PS2561-1 Lower Cost 4 Pin Replacement	B	
LTV-814	PS2565-1	4 Pin DIP	Special Lead Bend	A	
LTV-814S	PS2565L-1	4 Pin DIP		A	
LTV-814M	PS2565L1-1	4 Pin DIP		A	
LTV-824	PS2505-2	8 Pin DIP		A	
LTV-824S	PS2505L-2	8 Pin DIP		A	
LTV-824M	PS2565L1-2	8 Pin DIP	Special Lead Bend	A	
LTV-844	PS2505-4	16 Pin DIP		A	
LTV-844S	PS2505L-4	16 Pin DIP		A	
LTV-844M	PS2565L1-4	16 Pin DIP	Special Lead Bend	A	
LTV-8141	PS2506-1/PS2566-1	4 Pin DIP		A	
LTV-8141S	PS2506L-1/PS2566L-1	4 Pin DIP		A	
LTV-8141 M	PS2566L1-1	4 Pin DIP	Special Lead Bend	A	
LTV-8241	PS2506-2/PS2566-2	8 Pin DIP		A	
LTV-8241S	PS2506L-2/PS2566L-2	8 Pin DIP		A	
LTV-8241 M	PS2566L1-2	8 Pin DIP	Special Lead Bend	A	
LTV-8441	PS2506-4/PS2566-4	16 Pin DIP		A	
LTV-8441S	PS2506L-4/PS2566L-4	16 Pin DIP		A	
LTV-8441 M	PS2566L1-4	16 Pin DIP	Special Lead Bend	A	
LTV-815	PS2502-1/PS2562-1	4 Pin DIP		A	
LTV-815S	PS2502L-1/PS2562L-1	4 Pin DIP		A	
LTV-815M	PS2561L1-1	4 Pin DIP	Special Lead Bend	A	
LTV-825	PS2502-2/PS2562-2	8 Pin DIP		A	
LTV-825S	PS2502L-2/PS2562L-2	8 Pin DIP		A	
LTV-825M	PS2561L1-2	8 Pin DIP	Special Lead Bend	A	
LTV-845	PS2502-4/PS2562-4	16 Pin DIP		A	
LTV-845S	PS2502L-4/PS2562L-4	16 Pin DIP		A	
LTV-845M	PS2561L1-4	16 Pin DIP	Special Lead Bend	A	
LTV-817	PS2501-1/PS2561-1	4 Pin DIP		A	

A = Direct Electrical/Mechanical Replacement

B = Direct Electrical Drop-In Replacement Likely Insignificant Difference

C = Same Electrical Function / Not Drop in Electrical/Mechanical Replacement

D = No Cross

Lite-On	Cross (Exact Alternate)	Package	Sales Tip(s)	Code	Comment(s)
LTV-817S	PS2501L-1/PS2561L-1	4 Pin DIP		A	
LTV-817M	PS2561L1-1	4 Pin DIP	Special Lead Bend	A	
LTV-827	PS2501-2/PS2561-2	8 Pin DIP		A	
LTV-827S	PS2501L-2/PS2561L-2	8 Pin DIP		A	
LTV-827M	PS2561L1-2	8 Pin DIP	Special Lead Bend	A	
LTV-847	PS2501-4/PS2561-4	16 Pin DIP		A	
LTV-847S	PS2501L-4/PS2561L-4	16 Pin DIP		A	
LTV-847M	PS2561L1-4	16 Pin DIP	Special Lead Bend	A	

Note:

-TA = Tape and Reel

-TB = Tape and Reel

Motorola	Cross (Exact Alternate)	Package	Sales Tip(s)	Code	Comment(s)
4N25	PS2601	6 Pin DIP	PS2501-1/PS2561-1 Lower Cost 4 Pin Replacement	B	
4N26	PS2601	6 Pin DIP	PS2501-1/PS2561-1 Lower Cost 4 Pin Replacement	B	
4N27	PS2601	6 Pin DIP	PS2501-1/PS2561-1 Lower Cost 4 Pin Replacement	B	
4N28	PS2601	6 Pin DIP	PS2501-1/PS2561-1 Lower Cost 4 Pin Replacement	B	
4N29	PS2603	6 Pin DIP	PS2502-1/PS2562-1 Lower Cost 4 Pin Replacement	B	
4N30	PS2603	6 Pin DIP	PS2502-1/PS2562-1 Lower Cost 4 Pin Replacement	B	
4N31	PS2603	6 Pin DIP	PS2502-1/PS2562-1 Lower Cost 4 Pin Replacement	B	
4N32	PS2603	6 Pin DIP	PS2502-1/PS2562-1 Lower Cost 4 Pin Replacement	B	
4N33	PS2603	6 Pin DIP	PS2502-1/PS2562-1 Lower Cost 4 Pin Replacement	B	
4N35	PS2601	6 Pin DIP	PS2501-1/PS2561-1 Lower Cost 4 Pin Replacement	B	
4N36	PS2601	6 Pin DIP	PS2501-1/PS2561-1 Lower Cost 4 Pin Replacement	B	
4N37	PS2601	6 Pin DIP	PS2501-1/PS2561-1 Lower Cost 4 Pin Replacement	B	
4N38A	PS2601	6 Pin DIP	PS2501-1/PS2561-1 Lower Cost 4 Pin Replacement	B	
4N38	PS2601	6 Pin DIP	PS2501-1/PS2561-1 Lower Cost 4 Pin Replacement	B	
CNY17-1	PS2601-M	6 Pin DIP	PS2501-1/PS2561-1 Lower Cost 4 Pin Replacement	B	
CNY17-2	PS2601-M	6 Pin DIP	PS2501-1/PS2561-1 Lower Cost 4 Pin Replacement	B	
CNY17-3	PS2601-M	6 Pin DIP	PS2501-1/PS2561-1 Lower Cost 4 Pin Replacement	B	
H11A1	PS2621	6 Pin DIP	PS2521-1 Lower Cost 4 Pin Replacement	B	
H11AA1	PS2625	6 Pin DIP	PS2525-1 Lower Cost 4 Pin Replacement	B	
H11AA2	PS2625	6 Pin DIP	PS2525-1 Lower Cost 4 Pin Replacement	B	
H11AA3	PS2625	6 Pin DIP	PS2525-1 Lower Cost 4 Pin Replacement	B	
H11AA4	PS2625	6 Pin DIP	PS2525-1 Lower Cost 4 Pin Replacement	B	
H11AV1	PS2621	6 Pin DIP	PS2521-1/PS2561-1 Lower Cost 4 Pin Replacement	B	
H11AV2	PS2621	6 Pin DIP	PS2521-1/PS2561-1 Lower Cost 4 Pin Replacement	B	
H11B1	PS2603	6 Pin DIP	PS2502-1/PS2562-1 Lower Cost 4 Pin Replacement	A	
H11B3	PS2603-L	6 Pin DIP	PS2502-1/PS2562-1 Lower Cost 4 Pin Replacement	A	
H11D1	PS2633	6 Pin DIP	PS2532-1 Lower Cost 4 Pin Type	C	
H11D2	PS2633	6 Pin DIP	PS2532-1 Lower Cost 4 Pin Type	C	
H11G1	PS2633	6 Pin DIP	PS2532-1 Lower Cost 4 Pin Replacement	A	
H11G2	PS2633	6 Pin DIP	PS2532-1 Lower Cost 4 Pin Replacement	A	
H11G3	PS2633	6 Pin DIP	PS2532-1 Lower Cost 4 Pin Replacement	A	
H11L1	No Cross	6 Pin DIP		D	
H11L2	No Cross	6 Pin DIP		D	
MCT2	PS2601	6 Pin DIP	PS2501-1/PS2561-1 Lower Cost Smaller 4 Pin Replacement	B	
MCT2E	PS2601	6 Pin DIP	PS2501-1/PS2561-1 Lower Cost Smaller 4 Pin Replacement	B	
MOC119	PS2604	6 Pin DIP	PS2502-1/PS2562-1 Lower Cost Smaller 4 Pin Replacement	A	
MOC205	PS2801-1	4 Pin SSOP	PS2801-1/PS2561-1 Lower Cost Smaller 4 Pin Replacement	C	
MOC206	PS2801-1	4 Pin SSOP	PS2801-1/PS2561-1 Lower Cost Smaller 4 Pin Replacement	C	
MOC207	PS2801-1	4 Pin SSOP	PS2801-1/PS2561-1 Lower Cost Smaller 4 Pin Replacement	C	
MOC208	PS2801-1	4 Pin SSOP	PS2801-1/PS2561-1 Lower Cost Smaller 4 Pin Replacement	C	
MOC211	PS2801-1	4 Pin SSOP	PS2801-1/PS2561-1 Lower Cost Smaller 4 Pin Replacement	C	
MOC212	PS2801-1	4 Pin SSOP	PS2801-1/PS2561-1 Lower Cost Smaller 4 Pin Replacement	C	
MOC213	PS2801-1	4 Pin SSOP	PS2801-1/PS2561-1 Lower Cost Smaller 4 Pin Replacement	C	
MOC215	PS2801-1	4 Pin SSOP	PS2801-1/PS2561-1 Lower Cost Smaller 4 Pin Replacement	C	

A = Direct Electrical/Mechanical Replacement

B = Direct Electrical Drop-In Replacement Likely Insignificant Difference

C = Same Electrical Function / Not Drop in Electrical/Mechanical Replacement

D = No Cross

Motorola	Cross (Exact Alternate)	Package	Sales Tip(s)	Code	Comment(s)
MOC216	PS2801-1	4 Pin SSOP	PS2801-1/PS2561-1 Lower Cost Smaller 4 Pin Replacement	C	
MOC217	PS2801-1	4 Pin SSOP	PS2801-1/PS2561-1 Lower Cost Smaller 4 Pin Replacement	C	
MOC223	PS2802-1	4 Pin SSOP	PS2802-1/PS2562-1 Lower Cost Smaller 4 Pin Replacement	C	
MOC256	PS2805-1	4 Pin SSOP	PS2805-1/PS2565-1 Lower Cost Smaller 4 Pin Replacement	C	
MOC263	PS2802-1	4 Pin SSOP	PS2802-1/PS2562-1 Lower Cost Smaller 4 Pin Replacement	C	
MOCD207	PS2801-1 x 2	8 Pin SSOP	PS2801-1 x 2 Lower Cost 4 Pin Replacement	C	
MOCD208	PS2801-1 x 2	8 Pin SSOP	PS2801-1 x 2 Lower Cost 4 Pin Replacement	C	
MOCD211	PS2801-1 x 2	8 Pin SSOP	PS2801-1 x 2 Lower Cost 4 Pin Replacement	C	
MOCD213	PS2801-1 x 2	8 Pin SSOP	PS2801-1 x 2 Lower Cost 4 Pin Replacement	C	
MOCD217	PS2801-1 x 2	8 Pin SSOP	PS2801-1 x 2 Lower Cost 4 Pin Replacement	C	
MOCD223	PS2802-1 x 2	8 Pin SSOP	PS2802-1 x 2 Lower Cost 4 Pin Replacement	C	
MOC2A40-10	No Cross			D	
MOC2A40-5	No Cross			D	
MOC2A60-10	No Cross			D	
MOC2A60-5	No Cross			D	
MOC2R60-10	No Cross			D	
MOC2R60-15	No Cross			D	
MOC3010	No Cross	6 Pin DIP		D	
MOC3011	No Cross	6 Pin DIP		D	
MOC3012	No Cross	6 Pin DIP		D	
MOC3021	No Cross	6 Pin DIP		D	
MOC3022	No Cross	6 Pin DIP		D	
MOC3023	No Cross	6 Pin DIP		D	
MOC3031	No Cross	6 Pin DIP		D	
MOC3032	No Cross	6 Pin DIP		D	
MOC3033	No Cross	6 Pin DIP		D	
MOC3041	No Cross	6 Pin DIP		D	
MOC3042	No Cross	6 Pin DIP		D	
MOC3043	No Cross	6 Pin DIP		D	
MOC3051	No Cross	6 Pin DIP		D	
MOC3052	No Cross	6 Pin DIP		D	
MOC3061	No Cross	6 Pin DIP		D	
MOC3062	No Cross	6 Pin DIP		D	
MOC3063	No Cross	6 Pin DIP		D	
MOC3081	No Cross	6 Pin DIP		D	
MOC3082	No Cross	6 Pin DIP		D	
MOC3083	No Cross	6 Pin DIP		D	
MOC3162	No Cross	6 Pin DIP		D	
MOC3163	No Cross	6 Pin DIP		D	
MOC5007	No Cross	6 Pin DIP		D	
MOC5008	No Cross	6 Pin DIP		D	
MOC5009	No Cross	6 Pin DIP		D	
MOC8020	PS2604	6 Pin DIP	PS2502-1/PS2562-1 Lower Cost 4 Pin Replacement	B	
MOC8021	PS2604	6 Pin DIP	PS2502-1/PS2562-1 Lower Cost 4 Pin Replacement	B	
MOC8030	PS2604	6 Pin DIP	PS2502-1/PS2562-1 Lower Cost 4 Pin Replacement	B	
MOC8050	PS2604	6 Pin DIP	PS2502-1/PS2562-1 Lower Cost 4 Pin Replacement	B	
MOC8080	PS2603	6 Pin DIP	PS2502-1/PS2562-1 Lower Cost 4 Pin Replacement	B	
MOC8100	PS2621	6 Pin DIP	PS2521-1 Lower Cost 4 Pin Replacement	B	
MOC8101	PS2601-M	6 Pin DIP	PS2501-1/PS2561-1 Lower Cost 4 Pin Replacement	B	
MOC8102	PS2601-M	6 Pin DIP	PS2501-1/PS2561-1 Lower Cost 4 Pin Replacement	B	
MOC8103	PS2601-M	6 Pin DIP	PS2501-1/PS2561-1 Lower Cost 4 Pin Replacement	B	
MOC8104	PS2601-M	6 Pin DIP	PS2501-1/PS2561-1 Lower Cost 4 Pin Replacement	B	
MOC8105	PS2601-M	6 Pin DIP	PS2501-1/PS2561-1 Lower Cost 4 Pin Replacement	B	
MOC8111	PS2602	6 Pin DIP	PS2501-1/PS2561-1 Lower Cost 4 Pin Replacement	B	
MOC8112	PS2602	6 Pin DIP	PS2501-1/PS2561-1 Lower Cost 4 Pin Replacement	B	
MOC8113	PS2602	6 Pin DIP	PS2501-1 Lower Cost 4 Pin Replacement	B	
MOC8204	PS2621	6 Pin DIP	PS2521-1 Lower Cost 4 Pin Replacement	B	
MOC8205	PS2621	6 Pin DIP	PS2521-1 Lower Cost 4 Pin Replacement	B	
MOC8206	PS2621	6 Pin DIP	PS2521-1 Lower Cost 4 Pin Replacement	B	

A = Direct Electrical/Mechanical Replacement

B = Direct Electrical Drop-In Replacement Likely Insignificant Difference

C = Same Electrical Function / Not Drop in Electrical/Mechanical Replacement

D = No Cross

TAPE AND REEL AVAILABILITY BY SERIES

OPTOCOUPERS

PART NUMBER	PACKAGE QUANTITY	PART NUMBER	PACKAGE QUANTITY
-------------	------------------	-------------	------------------

PS25XX SERIES	
PS25XXL-1-E3	1000
PS25XXL-1-E4	1000
PS25XXL-1-F3	2000
PS25XXL-1-F4	2000
PS25XXL-2-E3	1000
PS25XXL-2-E4	1000
PS256XL2-1-E3	1000
PS256XL2-1-E4	1000
PS258XL2-E3	1000
PS258XL2-E4	1000

PS28XX SERIES	
PS280X-1-F3	3500
PS280X-1-F4	3500
PS280X-4-F3	2500
PS280X-4-F4	2500

PS26XX SERIES	
PS26XXL-E3	1000
PS26XXL-E4	1000
PS265XL2-E3	1000
PS265XL2-E4	1000

PS8XXX SERIES	
PS86XXL-E3	1000
PS86XXL-E4	1000
PS87XX-E3	900
PS87XX-E4	900
PS87XX-F3	3500
PS87XX-F4	3500

PS27XX SERIES	
PS27XX-1-E3	900
PS27XX-1-E4	900
PS27XX-1-F3	3500
PS27XX-1-F4	3500

PS9XXX SERIES	
PS96XXL-E3	1000
PS96XXL-E4	1000
PS97XX-E3	900
PS97XX-E4	900
PS97XX-F3	3500
PS97XX-F4	3500

INTERNATIONAL SAFETY STANDARDS

NEC OPTOCOUPLER PARTS NUMBER				PS2501 PS2502 PS2503 PS2505 PS2506	PS2521 PS2525	PS2532 PS2533	PS2561 PS2562 PS2565 PS2566	PS2581	PS2601 TO PS2608 PS2621 PS2622 PS2625 PS2626	PS2633 PS2634	PS2651 PS2652 PS2653 PS2654	PS2701 TO PS2707 PS2732 PS2733 PS2741	PS2801 PS2805 (Only 4 CH)
PARAMETER (Units: mm) (Minimum Dist.)		Outer Creepage Distance		7.0	7.0	7.0	7.0	8.0	7.0	7.0	8.0	5.0	5.0
		Clearance Distance		7.5	7.5	7.5	7.5 or 10	8.0	7.5	7.5	8.0 or 10.0	5.0	5.0
		Isolation Distance		0.3	0.4	0.4	0.4	0.4	0.3	0.4	0.5	0.3	0.3
		Inner Creepage Distance		3.5	4.0	4.0	4.0	4.0	4.0	4.0	4.0	2.5	2.5
		Breakdown Voltage		5kV	5kV	5kV	5kV	5kV	5kV	5kV	5kV	2.5kV	2.5kV
Organization	Country	Standard No.	NEC Approval No.										
UL	USA	UL1577	E72422(S)	●	●	●	●	●	●	●	●	●	●
CSA	Canada	CSA-C22.2	CA101391		●	●	●	●		●	●	●	●
VDE	Germany	VDE0884				●	●	●		●	●	●	●
BSI	UK	BS415 EN-60-950/EC60950	7112 (4 pin) 7250 (6 pin)	—		●	●	●	—		●	●	●
		BS7002 EN-60-950/EC60950	7240 (4 pin) 7615 (6 pin)	—		●	●	●	—		●	●	●
SEMKO	Sweden	SS-441-01-65	9317144	—	—	●	●	—			●	—	—
		SS-EN-60-950	9317144	—	—	●	●	—			●	—	—
SETI	Finland	E 65-89	167266-08	—	—	●	●	—			●	—	—
		SFS-EN-60-950	167265-08	—	—	●	●	—			●	—	—
NEMKO	Norway	NEK-HD 195 S6	A21409	—	—	●	●	—			●	—	—
		NEK-EN-60-950	A21409	—	—	●	●	—			●	—	—
DEMKO	Denmark	Section 101	300535	—	—	●	●	—			●	—	—
		Section 137	300535	—	—	●	●	—			●	—	—

● Approved ⊙ Under Application ○ Under Planning — N/A

NEC OPTOCOUPLER PARTS NUMBER				PS8601 PS8602	PS8701	PS9601	PS9634	PS9701
PARAMETER (Units: mm) (Minimum Dist.)		Outer Creepage Distance		7.0	5.0	7.0	7.0	5.0
		Clearance Distance		7.5	5.0	7.5	7.5	5.0
		Isolation Distance		0.3	0.2	0.4	0.4	0.2
		Inner Creepage Distance		4.0	2.5	4.0	4.0	2.5
		Breakdown Voltage		5kV	2.5kV	5kV	5kV	2.5kV
Organization	Country	Standard No.	NEC Approval No.					
UL	USA	UL1577	E72422(S)	●	●	●	●	●
CSA	Canada	CSA-C22.2	CA101391		—	—	—	—
VDE	Germany	VDE0884		●	●		●	●
BSI	UK	BS415 EN-60-950	7112 (4 pin) 7250 (6 pin)	—	—	—	—	—
		BS7002 EN-60-950	7240 (4 pin) 7615 (6 pin)	—	—	●	—	●
SEMKO	Sweden	SS-441-01-65	9317144	—	—	—	—	—
		SS-EN-60-950	9317144	—	—	—	—	—
SETI	Finland	E 65-89	167266-08	—	—	—	—	—
		SFS-EN-60-950	167265-08	—	—	—	—	—
NEMKO	Norway	NEK-HD 195 S6	A21409	—	—	—	—	—
		NEK-EN-60-950	A21409	—	—	—	—	—
DEMKO	Denmark	Section 101	300535	—	—	—	—	—
		Section 137	300535	—	—	—	—	—

● Approved ⊙ Under Application ○ Under Planning — N/A

Solid State Relay Cross Reference

Aromat	Cross (Exact Alternate)	Package	Sales Tip(s)	Code	Comment(s)
AQV101	PS710A-1A	6 Pin DIP	In Development	D	
AQV102	PS710A-1A	6 Pin DIP	In Development	B	
AQV103	PS7122A-1A	6 Pin DIP	In Development	B	
AQV104	PS7142-1A	6 Pin DIP		B	
AQV201	PS710A-1A	6 Pin DIP	In Development	B	
AQV202	PS710A-1A	6 Pin DIP	In Development	B	
AQV203	PS7142-1A	6 Pin DIP		B	
AQV204	PS7142-1A	6 Pin DIP		B	
AQV210	PS7141-1A	6 Pin DIP		B	
AQV210E	PS7141-1A	6 Pin DIP		B	
AQV210EH	PS7341-1A	6 Pin DIP		B	
AQV210S	PS7241-1A	6 Pin SOP	4 Pin SOP In Development	C	
AQV212	PS710A-1A	6 Pin DIP	In Development	B	
AQV212	PS7113-1A	6 Pin DIP		B	
AQV212S	No Cross	6 Pin SOP		D	
AQV214	PS7141-1A	6 Pin DIP		B	
AQV214E	PS7141-1A	6 Pin DIP		B	
AQV214EH	PS7341-1A	6 Pin DIP		B	
AQV214H	PS7341-1A	6 Pin DIP		B	
AQV214S	No Cross	6 Pin SOP	4 Pin SOP In Development	D	
AQV215	PS7113-1A	6 Pin DIP		B	
AQV215S	No Cross	6 Pin SOP	4 Pin SOP In Development	D	
AQV216	PS7160-1A	6 Pin DIP		B	
AQV216S	No Cross	6 Pin SOP	4 Pin SOP In Development	D	
AQV217	PS7122-1A	6 Pin DIP		B	
AQV217S	No Cross	6 Pin SOP	4 Pin SOP In Development	D	
AQV22X	No Cross			D	
AQV221	PS7200A-1A	6 Pin DIP	NEC is 4 Pin SOP	C	
AQV224	No Cross	6 Pin DIP		D	
AQV224N	No Cross	6 Pin DIP		D	
AQV224NS	No Cross	6 Pin SOP	NEC is 4 Pin SOP	D	
AQV225	No Cross	6 Pin DIP		D	
AQV225N	No Cross	6 Pin DIP		D	
AQV225NS	No Cross	6 Pin SOP		D	
AQV227N	No Cross	6 Pin DIP		D	
AQV227NS	No Cross	6 Pin DIP		D	
AQV23X	No Cross			D	
AQV234	PS7141-1A	6 Pin DIP		B	
AQV251	PS710A-1A	6 Pin DIP	In Development	B	
AQV252	PS710A-1A	6 Pin DIP	In Development	B	
AQV253	PS7142-1A	6 Pin DIP		B	
AQV253H	PS7342-1A	6 Pin DIP		B	
AQV254	PS7142-1A	6 Pin DIP		B	
AQV254H	PS7342-1A	6 Pin DIP		B	
AQV254R	PS7142-1A	6 Pin DIP	AQV245R has a LED Display	B	
AQV255	PS7113-1A	6 Pin DIP		B	
AQV257	PS7122-1A	6 Pin DIP		B	
AQV257M	PS7522-1A	6 Pin DIP		B	
AQV258	PS71A0-1A	6 Pin DIP	In Development	B	
AQV259	PS71A0-1A	6 Pin DIP	In Development	B	
AQV414	PS7141-1B	6 Pin DIP		B	
AQV414E	PS7141-1B	6 Pin DIP		B	
AQV414EH	PS7341-1B	6 Pin DIP		B	
AQV452	PS7122A-1B	6 Pin DIP		B	
AQV454	PS7141-1B	6 Pin DIP		B	

A = Direct Electrical/Mechanical Replacement

B = Direct Electrical Drop-In Replacement Likely Insignificant Difference

C = Same Electrical Function / Not Drop in Electrical/Mechanical Replacement

D = No Cross

Aromat	Cross (Exact Alternate)	Package	Sales Tip(s)	Code	Comment(s)
AQV454H	PS7341-1B	6 Pin DIP		B	
AQW210	PS7141-2A	8 Pin DIP		B	
AQW210S	PS7241-2A	8 Pin SOP		B	
AQW210TS	PS7241-AT5	8 Pin SOP		B	
AQW210T2S	No Cross	16 Pin SSOP		D	
AQW212	PS7113-2A	8 Pin DIP		B	
AQW214	PS7141-2A	8 Pin DIP		B	
AQW214S	PS7241-2A	8 Pin SOP	In Development	A	
AQW215	PS7113-2A	8 Pin DIP		B	
AQW216	PS7160-2A	8 Pin DIP		B	
AQW217	PS7122-2A	8 Pin DIP		B	
AQW254	PS7142-2A	8 Pin DIP		B	
AQW414	PS7141-2B	8 Pin DIP		B	
AQW454	PS7141-2B	8 Pin DIP	NEC is Higher Ron	B	
AQW614	PS7141-1C	8 Pin DIP		B	
AQW654	PS7141-1C	8 Pin DIP	NEC is Higher Ron	B	
AQX21444	No Cross			D	
AQY210S	PS7241-1A	4 Pin SOP		B	
AQY214S	PS7241-1A	4 Pin SOP		B	
AQY272	No Cross	Non Standard		D	
AQY274	No Cross	Non Standard		D	
AQY275	No Cross	Non Standard		D	
AQY277	No Cross	Non Standard		D	
AQY414S	PS7241-1B	4 Pin SOP		B	
AQZXXX	No Cross			D	

Note:

All relays are available in Surface Mount.

DIP Package = PS7141-1A

Gull Wing (Surface Mount) = PS7141L-1A

"L" Denotes Surface Mount

CP Clare	Cross (Exact Alternate)	Package	Sales Tip(s)	Code	Comment(s)
CPC1035	PS7241-1A	4 Pin SOP		A	
CPCL135	PS7241-1A	4 Pin SOP		A	
CPCL135N	PS7241-1A	4 Pin SOP		A	
IAA170P	No Cross	16 Pin SOIC		D	
IAB170P	No Cross	16 Pin SOIC		D	
IAD170P	No Cross	16 Pin SOIC		D	
IBB170P	No Cross	16 Pin SOIC		D	
ITC112	No Cross	16 Pin DIP	Please use 2 x PS2801 and 1 PS7241-1A Much Lower Cost and Smaller Size	D	
ITC112N	No Cross	16 Pin SSOP	Same as above but same size	D	
ITC117	PS7841-A15	16 Pin DIP	NEC is 16 Pin SSOP	B/C	
ITC117N	PS7841-A15	16 Pin SSOP		A	
ITC135	In Development	16 Pin DIP	NEC is 16 Pin SSOP	B/C	
ITC135N	In Development	16 Pin SSOP	NEC does not have zener diode	C	
LAA110	PS7141-2A	8 Pin DIP		B	
LAA120	PS7122A-2A	8 Pin DIP		B	
LAA125	PS7122-2A	8 Pin DIP		B	
LAA127	PS7122A-2A	8 Pin DIP		B	
LBA110	PS7141-1C	8 Pin DIP		B	
LBA120	PS7141-1C	8 Pin DIP	CP Clare 170 mA vs. NEC 120 mA	B	
LBA127	PS7141-1C	8 Pin DIP	CP Clare 170 mA vs. NEC 120 mA	B	
LBB110	PS7141-2B	8 Pin DIP		A	
LBB120	PS7141-2B	8 Pin DIP	CP Clare 170 mA vs. NEC 120 mA	B	
LBB127	PS7141-2B	8 Pin DIP	CP Clare 170 mA vs. NEC 120 mA	B	
LCA110	PS7141-1A	6 Pin DIP		A	

A = Direct Electrical/Mechanical Replacement

B = Direct Electrical Drop-In Replacement Likely Insignificant Difference

C = Same Electrical Function / Not Drop in Electrical/Mechanical Replacement

D = No Cross

CP Clare	Cross (Exact Alternate)	Package	Sales Tip(s)	Code	Comment(s)
LCA120	PS7142-1A	6 Pin DIP		A	
LCA125	PS7142-1A	6 Pin DIP		A	
LCA710	PS71A0-1A	6 Pin DIP		B	
LCB110	PS7141-1B	6 Pin DIP		A	
LCB120	No Cross	6 Pin DIP		D	
LCC110	No Cross	8 Pin DIP		A	
LCC120	No Cross	8 Pin DIP	CP Clare 170 mA vs. NEC 120 mA	B	
LOC210	PS8741	16 Pin DIP	NEC is 16 Pin SSOP	B/C	
LOC210N	PS8741	16 Pin SSOP		A	
LOC211	PS8741	16 Pin SSOP	NEC is 16 Pin SSOP	B/C	
LOC211N	PS8741	16 Pin SSOP		B	
OAA160	No Cross	8 Pin DIP		D	
OMA130	PS7113-1A	6 Pin DIP		B	
OMA160	No Cross	6 Pin DIP		D	
PLA110	PS7142-1A	6 Pin DIP		A	
PLA140	PS7142-1A	6 Pin DIP		B	
PLA150	PS7142-1A	6 Pin DIP		B	
TS117	PS7241-AT5	8 Pin SOP	PS7241-AT5 = SOP Version	C	
TS117P	PS7241-AT5	8 Pin SOP	PS7241-AT5 = SOP Version	C	
TS118	No Cross	8 Pin DIP		D	
TS118P	No Cross	8 Pin DIP		D	
TS120	PS7241-AT5	8 Pin SOP	PS7241-AT5 = SOP Version	C	
TS120P	PS7241-AT5	8 Pin SOP	Lower Profile DIP Package	C	
TS122	PS7241-AT5	8 Pin SOP	PS7241-AT5 = SOP Version 120 mA	C	
TS122P	PS7241-AT5	8 Pin SOP	Lower Profile DIP Package	C	
TS190	PS7241-AT5	8 Pin SOP	PS7241-AT5 = SOP Version 150 mA	C	
TS190P	PS7241-AT5	8 Pin SOP	Lower Profile DIP Package	C	
XAA170	PS7141-2A	8 Pin DIP		B	
XBA170	PS7141-1C	8 Pin DIP		B	
XBB170	PS7141-2B	8 Pin DIP		B	
XCA110	PS7142-1A	6 Pin DIP		B	
XCA120	PS7122-1A	6 Pin DIP		B	
XCA170	PS7341-1A	6 Pin DIP		A	
XCB170	PS7341-1B	6 Pin DIP		A	
XS170	PS7241-AT5	8 Pin SOP		C	

Note:

TS117P = "P" Identifies Lower Profile DIP Package/NEC Offers Lower Profile Smaller Width SOP Package.

Siemens	Cross (Exact Alternate)	Package	Sales Tip(s)	Code	Comment(s)
LH1056AAB	PS7141L-1A	6 Pin SMT	Current Limiting Option Available	A	
LH1056AAB1	PS7141L-1A	6 Pin SMT	Current Limiting Option Available	A	
LH1056AT	PS7141-1A	6 Pin SMT	Current Limiting Option Available	A	
LH1056AT1	PS7141-1A	6 Pin SMT	Current Limiting Option Available	A	
LH1056CT	PS7141-1A	6 Pin SMT	Current Limiting Option Available	A	
LH1085AAB	No Cross	6 Pin SMT			
LH1085AT	No Cross	6 Pin SMT			
LH1156AAB	PS7141L-1A	6 Pin SMT	Current Limiting Option Available	A	
LH1191AAB	PS7141L-1A	6 Pin SMT		A	
LH1192AAB	PS7141L-1A	6 Pin SMT		A	
LH1192AAB1	PS7141L-1A	6 Pin SMT		A	
LH1192AT	PS7141-1A	6 Pin DIP		A	
LH1192AT1	PS7141-1A	6 Pin DIP		A	
LH193AAB	PS7141L-2A	8 Pin SMT		A	
LH193AAB1	PS7141L-2A	8 Pin SMT		A	
LH1203AAB	No Cross	6 Pin SMT			
LH1203AAB1	No Cross	6 Pin SMT			

A = Direct Electrical/Mechanical Replacement

B = Direct Electrical Drop-In Replacement Likely Insignificant Difference

C = Same Electrical Function / Not Drop in Electrical/Mechanical Replacement

D = No Cross

Siemens	Cross (Exact Alternate)	Package	Sales Tip(s)	Code	Comment(s)
LH1204AAC	PS7141L-2A	8 Pin SMT		A	
LH1204AAB	PS7141L-2A	8 Pin SMT		A	
LH1233AAB	No Cross	6 Pin SMT			
LH1233AAB1	No Cross	6 Pin SMT			
LH1233AT	No Cross	6 Pin DIP			
LH1298AAB	PS7141L-1B	6 Pin SMT	PS7341L-1B Available 3750 V Isolation	A	
LH1298AAB1	PS7141L-1B	6 Pin DIP	PS7341L-1B Available 3750 V Isolation	A	
LH1298AT	PS7141-1B	6 Pin DIP	PS7341-1B Available 3750 V Isolation	A	
LH1500AAB	PS7341L-1A	6 Pin SMT	PS714L1-1A	A	
LH1500AAB1	PS7341L-1A	6 Pin SMT	PS714L-1A	A	
LH1500AT	PS7341-1A	6 Pin DIP	PS7141L-1A	A	
LH1500AT1	PS7341-1A	6 Pin DIP	PS7141L-1A	A	
LH1501AAB	PS7341L-1B	6 Pin SMT	PS7141L-1B	A	
LH1501AAB1	PS7341L-1B	6 Pin SMT	PS7141L-1B	A	
LH1501AT	PS7341-1B	6 Pin DIP	PS7141-1B	A	
LH1501AT1	PS7341-1B	6 Pin DIP	PS7141-1B	A	
LH1502AAC	PS7141L-1C	8 Pin SMT		A	
LH1502AB	PS7141-1C	8 Pin DIP		A	
LH1503AAC	PS7141L-2A	8 Pin SMT		A	
LH1503AB	PS7141-2A	8 Pin DIP		A	
LH1504AAB	PS7141L-1A	6 Pin SMT		B	
LH1504AAB1	PS7141L-1A	6 Pin SMT		B	
LH1504AT	PS7141-1A	6 Pin DIP		B	
LH1504AT1	PS7141-1A	6 Pin DIP		B	
LH1505AAC	PS7141L-2A	8 Pin SMT		A	
LH1505AB	PS7141L-2A	8 Pin SMT		A	
LH1510AAB	PS7122L-1A	6 Pin SMT		A	
LH1510AT	PS7122-1A	6 Pin DIP		A	
LH1511AAB	PS7122L-1B	6 Pin SMT		A	
LH1511AT	PS7122-1B	6 Pin DIP		A	
LH1512AAC	PS7141L-1C	8 Pin SMT	400 V 150 mA	B	
LH1512AB	PS7141-1C	8 Pin DIP	400 V 150 mA	B	
LH1513AAC	PS7141L-2A	8 Pin SMT	400 V 150 mA	B	
LH1513AB	PS7141-2A	8 Pin DIP	400 V 150 mA	B	
LH1514AAC	PS7113L-2A	8 Pin SMT	100 V 350 mA	B	
LH1514AB	PS7113-2A	8 Pin DIP	100 V 350 mA	B	
LH1516AAB	PS7142L-2A	8 Pin SMT		B	
LH1516AT	PS7142-2A	8 Pin DIP		B	
LH1517AAB	PS7342L-1A	6 Pin SMT		B	
LH1517AT	PS7342-1A	6 Pin DIP		B	
LH1518AAB	PS7141L-1A	6 Pin SMT		B	
LH1518AT	PS7141-1A	6 Pin DIP		B	
LH1519AAB	No Cross	6 Pin DIP			
LH1519AT	No Cross	6 Pin DIP			
LH1520AAC	PS7141L-2A	8 Pin SMT		A	
LH1520AB	PS7141-2A	8 Pin DIP		A	
LH1521AAC	PS7141L-2B	8 Pin SMT		A	
LH1521AB	PS7141-2B	8 Pin DIP		A	
LH1522AAC	PS7522L-2A	8 Pin SMT		A	
LH1522AB	PS7522-2A	8 Pin DIP		A	
LH1523AAC	PS7522L-2B	8 Pin SMT	In Development	A	
LH1523AB	PS7522-2B	8 Pin DIP	In Development	A	
LH1524AAC	PS7141L-2A	8 Pin SMT	Diode Offset Not Used NEC	B	
LH1524AB	PS7141-2A	8 Pin DIP	Diode Offset Not Used NEC	B	
LH1525AAB	PS7341L-1A	6 Pin SMT		A	
LH1525ACD	PS7241-2A	8 Pin DIP		A	
LH1525AT	PS7341-1A	6 Pin DIP		A	
LH1526AAC	PS7141L-2A	8 Pin SMT		B	

A = Direct Electrical/Mechanical Replacement

B = Direct Electrical Drop-In Replacement Likely Insignificant Difference

C = Same Electrical Function / Not Drop in Electrical/Mechanical Replacement

D = No Cross

Siemens	Cross (Exact Alternate)	Package	Sales Tip(s)	Code	Comment(s)
LH1526ACE	PS7241-2A	8 Pin SOP	NEC Much Smaller Foot Print	B	
LH1526AB	PS7141-2A	8 Pin DIP		B	
LH1527AAB	PS7141L-1C	8 Pin SMT		C	
LH1527AAC	PS7141-1C	8 Pin DIP		C	
LH1527AB	PS7141-1C	8 Pin DIP		C	
LH1527AT	PS7141-1C	8 Pin DIP		C	
LH1528AAC	No Cross	8 Pin DIP	PS7241-AT5 1 Form A SOP Version	D	
LH1528AB	No Cross	8 Pin DIP	PS7241-AT5 1 Form A SOP Version	D	
LH1529AAC	PS7241-AT5	8 Pin SOP		C	
LH1529AB	PS7241-AT5	8 Pin SOP		C	
LH1529BAC	PS7241-AT5	8 Pin SOP		C	
LH1529BB	PS7241-AT5	8 Pin SOP		C	
LH1530AAB	PS7341L-1A	6 Pin SMT		A	
LH1530AT	PS7341-1A	6 Pin DIP		A	
LH1531AAC	PS7141L-2A	8 Pin SMT		A	
LH1531AB	PS7141-2A	8 Pin DIP		A	
LH1532AAC	PS7141L-2A	8 Pin SMT		A	
LH1532AB	PS7141-2A	8 Pin DIP		A	
LH1533AAC	PS7360L-1A	6 Pin SMT		A	
LH1533AB	PS7360-1A	6 Pin DIP		A	
LH1534HAC	No Cross	6 Pin DIP		A	
LH1534HB	No Cross	6 Pin DIP		A	
LH1535HAB	PS7341L-1A	6 Pin SMT		A	
LH1535HT	PS7341-1A	6 Pin DIP		A	
LH1536AAB	PS7113L-1A	6 Pin SMT	NEC V Load = 100 V	C	
LH1536AT	PS7113-1A	6 Pin DIP	NEC V Load = 100 V	C	
LH1537AAB	PS7141L-1C	6 Pin SMT		C	
LH1537AB	PS7141-1C	6 Pin DIP		C	
LH1537AAC	PS714L-1C	6 Pin SMT		C	
LH1537AT	PS7141-1C	6 Pin DIP		C	
LH1540AAB	PS7341CL-1A	6 Pin SMT		A	
LH1540AB	PS7341C-1A	6 Pin DIP		A	
LH1540AAB1	PS7341CL-1A	6 Pin SMT		A	
LH1540AT	PS7341C-1A	6 Pin DIP		A	
LH1540AT1	PS7341C-1A	6 Pin DIP		A	
LH1541AAB1	No Cross	6 Pin DIP			
LH1541AT1	No Cross	6 Pin DIP			
LH1544AAC	No Cross	6 Pin DIP			
LH1544AB	No Cross	6 Pin DIP			
LH1547AAB1	PS7341L-1A	6 Pin SMT		B	
LH1547AT1	PS7341-1A	6 Pin DIP		B	
LH1548ACE	PS7241-AT5	8 Pin SOP	NEC Much Smaller SOP	C	
LH1549HAC	PS7241-AT5	8 Pin SOP	NEC 8 PIN SOP	C	
LH1549HB	PS7241-AT5	8 Pin SOP	NEC 8 PIN SOP	C	
LH1550AAB	PS7341L-1A			A	
LH1550AAB1	PS7341L-1A			A	
LH1550AT	PS7341-1A			A	
LH1550AT1	PS7341-1A			A	
LH1551AAB1	In Development				
LH1551AT1	In Development				
LH1552AAC	In Development				
LH1552AB	In Development				
LH1553AAC	In Development				
LH1553AB	In Development				
LH1571AAC	In Development				
LH2559AAC	No Cross				
LH2559AB	No Cross				
LH2559ACE	In Development	16 PIN SOP		C	

A = Direct Electrical/Mechanical Replacement

B = Direct Electrical Drop-In Replacement Likely Insignificant Difference

C = Same Electrical Function / Not Drop in Electrical/Mechanical Replacement

D = No Cross

TAPE AND REEL AVAILABILITY BY SERIES

SOLID STATE RELAYS

PART NUMBER	PACKAGE QUANTITY	PART NUMBER	PACKAGE QUANTITY
-------------	------------------	-------------	------------------

PS71XX SERIES	
PS71XXL-1A-E3	1000
PS71XXL-1A-E4	1000
PS71XXL-1B-E3	1000
PS71XXL-1B-E4	1000
PS71XXL-1C-E3	1000
PS71XXL-1C-E4	1000
PS71XXL-2A-E3	1000
PS71XXL-2A-E4	1000
PS71XXL-2B-E3	1000
PS71XXL-2B-E4	1000

PS73XX SERIES	
PS73XXL-1A-E3	1000
PS73XXL-1A-E4	1000
PS734XCL-1A-E3	1000
PS734XCL-1A-E4	1000

PS72XX SERIES	
PS72XX-1A-E3	900
PS72XX-1A-E4	900
PS72XX-1A-F3	3500
PS72XX-1A-F4	3500
PS72XX-2A-F3	1500
PS72XX-2A-F4	1500
PS72XX-AT5-F3	1500
PS72XX-AT5-F4	1500
PS72XX-AT1-F3	1500
PS72XX-AT1-F4	1500

PS75XX SERIES	
PS75XXL-1A-E3	1000
PS75XXL-1A-E4	1000
PS75XXL-2A-E3	1000
PS75XXL-2A-E4	1000

INTERNATIONAL SAFETY STANDARDS

SOLID STATE RELAYS PARTS NUMBER				PS71XX-1A PS71XX-2A	PS71XX-1B PS71XX-2B PS71XX-1C	PS72XX-1A	PS72XX-2A	PS7241-AT1 PS7241-AT5	PS73XX-1A PS73XXC-1A PS73XXC-1B	PS75XX-1A PS75XX-2A
PARAMETER (Units: mm) (Minimum Dist.)	Outer Creepage Distance			7.0	7.0	7.0	7.0	7.0	7.0	7.0
	Clearance Distance			7.0	7.0	7.0	7.0	7.0	7.0	7.0
	Isolation Distance			0.4	0.4	0.4	0.4	0.4	0.4	0.4
	Inner Creepage Distance			4.0	4.0	4.0	4.0	4.0	4.0	4.0
	Breakdown Voltage			1.5k	1.5k	1.5k	1.5k	1.5k	3.75k	1.5k
Organization	Country	Standard No.	NEC Approval No.							
UL	USA	UL1577	E72422(S)	●	●	⊙	●	●	●	●
CSA	Canada	CL9073X0030	CA101391	⊙	⊙	⊙	⊙	⊙	⊙	⊙
VDE	Germany	VDE0884	See Right Table	⊙	⊙	⊙	⊙	⊙	⊙	⊙
BSI	UK	BS415 /EC55	7112 (4 pin) 7250 (6 pin)	●	●	●	●	●	●	●
		BS7002 /EC950	7240 (4 pin) 7615 (6 pin)	●	⊙	⊙	⊙	●	●	●
SEMKO	Sweden	SS-441-01-55	9317144	—	—	—	—	—	—	—
		SS-EN-60-950	9317144	—	—	—	—	—	—	—
SETI	Finland	E 65-89	167265-08	—	—	—	—	—	—	—
		SFS-EN-60-950	167265-08	—	—	—	—	—	—	—
NEMKO	Norway	NEK-HD 195 S6	A21409	—	—	—	—	—	—	—
		NEK-EN-60-950	A21409	—	—	—	—	—	—	—
DEMKO	Denmark	Section 101	300535	—	—	—	—	—	—	—
		Section 137	300535	—	—	—	—	—	—	—

● Approved

⊙ Under Application

○ Under Planning

— N/A

CROSS REFERENCE GUIDE

HONGFA	OMRON	PANASONIC	TE			FUJITSU	FINDER
			OEG	P&B	SCHRACK		
HF13F	LY1/2	HL	DRET/RET	K10	TM	FRL260	56.32/56.42
HF18FF	MY2/3/4						55.32/55.33 /55.34
HF18FA	MY2/4						55.32/55.34
HF10FF	MK2/3						
HF10FH	MK2/MK3						60.12/13
HF14FF	G2R	JR1/JR1A	OMI	RKA/RKS	409/cardE/RPII1	VS	40.31
HF14FW	G2R	JR1AF	OMI-H/OZ	RKA/RKS		FBR610	40.61
HF41F		PE/PF			V23092(SNR)	FTR-LY	34.51
HF49FD	G6DS	PA			PCN	RB/NY	
HF115F	G2RL	JW1/JW2/DJ		RT	RT/42900/ RT1/RT2	FTR-K1	41系列
HF115F-A	G5RL-AC				RT/RT2/RX1/RX2		
HF115FP					XT		
HF118F	G6RN				RYII	FTR-F1	
HF140FF	G2R/G2RG	JR2/JR2A	OMI	TP	409/RPII2/SR2M	FTR-F1/VS	40.52
HF141FF	G2R	JW	OMI	TP	RT1/RTH/429	FTR-F1/VS	41.31
HFA2					SR2M		
HFA4	G7SA	SFS			SR4D/M		
HFA6	G7SA	SFS			SR6		
HF3701	G9SA-301						

Notes: This table is just for reference. if you have any questions, please contact our local agent or send e-mail to marketing@hongfa.com.



HONGFA RELAY

ISO9001、ISO/TS16949、ISO14001、OHSAS18001、IECQ QC 080000 CERTIFIED

2013 Rev. 1.00

CROSS REFERENCE GUIDE

Signal Relay

HONGFA	OMRON	PANASONIC	TE				NEC
			TYCO	AXICOM	OEG	P&B	
HFD23	G5V-1	HY	V23111		TSC		TY
HFD27	G5V-2	DS2Y		D2N (V23105)	OVR/ORZ	T82/T85/190	MR62
HFD2	G6A	DS2Y	V23042	MT2			MR82
HFD3	G6S	TX		P2 (V23079)			EC2/ED2
HFD31	G6H	TQ		FP2			EA2
HFD4	G6K	AGQ		IM			
HFD41	G2E			V23101	OUA/OUAZ	T81	
HFD41A	G2E			V23101	OUA/OUAZ	T81	

(To be continued)

HONGFA	FUJITSU	FEME	FINDER	SONGCHUAN
HFD23	SY	EZ-EZH		
HFD27	FBR244/ FTR-C2/RV	ZFH-002	30.22	876
HFD2	RA	TF/TFL2		502
HFD3	BA/NA			902
HFD31	A			
HFD4				
HFD41	FBR211SC/MZ			842
HFD41A	FBR211SE/MZ	ESH-001		842A

This table is just for reference. if you have any questions, please contact our local agent or send e-mail to marketing@hongfa.com.



HONGFA RELAY

ISO9001, ISO/TS16949, ISO14001, OHSAS18001, IECQ QC 080000 CERTIFIED

2012 Rev. 1.00

CROSS REFERENCE GUIDE

Power Relay

HONGFA	OMRON	PANASONIC	TE			NEC
			OEG	P&B	SCHRACK	
HF3FA	G5LA	JS			T7S	
HF3FD	G5LB	JS			T7S	
HF3FF	G5LC/G5LE	JS	PCE/ORWH	T72	T7N	
HF3FF-M	G8SN	JSM			T72N	
HF7FD	G5LE-VD	JSM	PCE	T7N	T7N-WG	KB
HF7FF	G5LC/G5LE	JSM	PCE	T7N	T7N	
HF8			OU DH	T73	41891/UB	
HF12FF						
HF14FF	G2R	JR1/JR1A	OMI	RKA/RKS	409/cardE/RPII1	CH
HF14FW	G2R	JR1AF	OMI-H/OZ	RKA/RKS		
HF21FF	G5L		SRUDH/SRUUH	T7C	LN/41896	
HF25F	G5G	LE				
HF32F			OJ/OJE	T77		CS
HF32F-G			OJ/OJE	T77		
HF32FA/HF32FA-T			OJ/OJE	T77		
HF32FA-G			OJ/OJE	T77		
HF33F	G5SB/G5Q	JQ/PQ	PCH	T77	RE/REL	
HF36F/HF36FD	G5PA-1	LK	SDT			
HF37F						CK
HF41F		PE/PF			V23092(SNR)	CW
HF42F	G5PA-2	LA	OSA/PCI	T74		
HF46F/HF46F-G	G5NB/G5T	LD				CU
HF49FD	G6DS	PA			PCN	
HF62F	G5J	JR1AF-TMP	OMIF			
HF92F				T92	T92	
HF102F	G4A	LF	PCFN			
HF105F-1	G8P	JTN/JTV	ORU	T9A/T90	T9A	CT
HF105F-2	G7G/G8P	JT	ORU	491/T9A		
HF105F-4	G7G/G8P	JT	ORU	T9A		

This table is just for reference. if you have any questions, please contact our local agent or send e-mail to marketing@hongfa.com.



HONGFA RELAY
ISO9001, ISO/TS16949, ISO14001, OHSAS18001, IECQ QC 080000 CERTIFIED

2012 Rev. 1.00

CROSS REFERENCE GUIDE

(To be continued)

Power Relay

HONGFA	FUJITSU	FEME	FINDER	SONGCHUAN
HF3FA				899
HF3FD				899
HF3FF		VTA/H	36.11	833H
HF3FF-M				833HM
HF7FD	FBR160			812BH
HF7FF	CS			812
HF8	LZ	EM-EMH		843
HF12FF				834
HF14FF	VS	MZPA-001	40.31	845-1P
HF14FW	FBR610	MZPA-001	40.61	793P
HF21FF				801H
HF25F				
HF32F	JV			835/835NL
HF32F-G	JV			835/835NL
HF32FA/32FA-T	JV			835/835NL
HF32FA-G	JV			835/835NL
HF33F	JY	JF		892
HF36F/HF36FD	FTR-H2/F2	MXH		
HF37F	VF			
HF41F	FTR-LY		34.51	882
HF42F	FTR-F4			401
HF46F/HF46F-G	FTR-F3			202/202H
HF49FD	RB/NY			
HF62F	VR			302
HF92F		CS/CF30		
HF102F				
HF105F-1				832
HF105F-2				832
HF105F-4				832

This table is just for reference.if you have any questions,please contact our local agent or send e-mail to marketing@hongfa.com.



HONGFA RELAY

ISO9001, ISO/TS16949, ISO14001, OHSAS18001, IECQ QC 080000 CERTIFIED

2012 Rev. 1.00

CROSS REFERENCE GUIDE

Power Relay

HONGFA	OMRON	PANASONIC	TE			NEC
			OEG	P&B	SCHRACK	
HF105F-5	G7G/G8P	JTN	ORU	T90/T9A		
HF115F	G2RL	JW1/JW2/DJ		RT	RT/42900/RT1/RT2	TH
HF115-A	G5RL-AC				RT1/RT2/RX1/RX2	
HF115F-H				RT	RT1 sensitive	
HF115F-I				RT	42903/42903A/ RT1 inrush/RX1	
HF115F-Q					RF/41063 125°C	
HF115F-T/TH				RT	RTH105 16A	
HF115FP					XT	
HF158F	G2RL				RT/RZ	
HF116F-1	G7L	HE				
HF116F-2	G7L	HE				
HF116F-3	G7L	HE				
HF118F	G6RN				RYII	
HF140FF	G2R/G2RG	JR2/JR2A	OMI	RKA/RKS	409/RPII2/SR2M	TP
HF141FF	G2R	JW	OMI			TP
HF152F/HF152FD	G5LE-VD	JSM				
HF160F	G4F	JM	PCF		PCJ	CU
HF161F	G4A	LF	PCFN			
HF161F-W		LF-G	PCFN SOLAR			
HF162F	G5PF	LK-F				
HF2100	G7G	JT		491/T9A		
HF2110/HF2120	G7G	JT	491/T90		T9A	CT
HF2150/HF2151	G7G	JTN/JTV	T9A/T90			CT
HF2160		JT	T9A/T90			CT
HF7520	G5CA	JV/JVN		PCD		CQ
HFE7	G6C	DK				
HFKE						

This table is just for reference. if you have any questions, please contact our local agent or send e-mail to marketing@hongfa.com.



HONGFA RELAY

ISO9001, ISO/TS16949, ISO14001, OHSAS18001, IECQ QC 080000 CERTIFIED

2012 Rev. 1.00

CROSS REFERENCE GUIDE

(To be continued)

Power Relay

HONGFA	FUJITSU	FEME	FINDER	SONGCHUAN
HF105F-5				832
HF115F	FTR-K1	M25	41series	881/888
HF115-A				881
HF115F-H	FTR-K1			881/845N
HF115F-I	FTR-H1			881/888
HF115F-Q				881WP
HF115F-T/TH	FTR-K1			881
HF115FP				
HF158F				
HF116F-1				841
HF116F-2				841
HF116F-3				841
HF118F	FTR-F1	M15E		
HF140FF	FTR-F1/VSB	MZPA-002	40.52	845-2P
HF141FF	FTR-F1/VSB		40.31	845-H
HF152F				875
HF160F	VH/FTR-K3			821
HF161F				
HF161F-W				
HF162F				
HF2100				
HF2110/HF2120		CGQ		832A
HF2150/HF2151		CGQ		832
HF2160				852
HF7520				201
HFE7				
HFKE	FBR161/166/FTR-P1			812HM

This table is just for reference. if you have any questions, please contact our local agent or send e-mail to marketing@hongfa.com.



HONGFA RELAY

ISO9001, ISO/TS16949, ISO14001, OHSAS18001, IECQ QC 080000 CERTIFIED

2012 Rev. 1.00

IDEC Relay & Socket Cross Reference

Allen-Bradley	IDEC
700-HA32	RR2P
700-HA33	RR3PA
700-HAB2	RR2P
700-HAB3	RR3PA
700-HAX2	RR2P
700-HAX3	RR3PA
700-HB32	RR2BA
700-HB33	RR3B
700-HC14	RU4S
700-HC24	RU4S
700-HC54	RU42S
700-HD32	RR2BA-US
700-HD33	RR3B-US
700-HF32	RH2B
700-HF33	RH3B
700-HF34	RH4B
700-HK32_	RJ2S-C
700-HK32_-4L	RJ2S-CL
700-HK36	RJ1S-C
700-HK36_-4L	RJ1S-CL
700-HLT12Z48	RV8H-L-D48
700-HLT12Z48X	RV8H-L-D48
700-HLT1U1	RV8H-L-AD110
700-HLT1U12	RV8H-L-AD12
700-HLT1U12X	RV8H-L-AD12
700-HLT1U1X	RV8H-L-AD110
700-HLT1U2	RV8H-L-AD220
700-HLT1U24	RV8H-L-AD24
700-HLT1U24X	RV8H-L-AD24
700-HLT1U2X	RV8H-L-AD220
700-HLT1U48	RV8H-L-AD48
700-HLT1U48X	RV8H-L-AD48
700-HLT1Z12	RV8H-L-D12
700-HLT1Z12X	RV8H-L-D12
700-HLT1Z24	RV8H-L-D24
700-HLT1Z24X	RV8H-L-D24
700-HLT2Z248	RV8H-S-D48
700-HLT2U1	RV8H-S-AD110
700-HLT2U12	RV8H-S-AD12

Relays

700-HLT2U2	RV8H-S-AD220	
700-HLT2U24	RV8H-S-AD24	
700-HLT2U48	RV8H-S-AD48	
700-HLT2Z12	RV8H-S-D12	
700-HLT2Z24	RV8H-S-D24	
700-HPX2	RQ2V-CN	
700-TBR12	RV1H-G-D12	
700-TBR24	RV1H-G-D24	
700-TBR48	RV1H-G-D48	
700-TBR60	RV1H-G-D60	
700-HN116	SH2B-05	
700-HN121	SJ1S-05B	
700-HN122	SJ2S-05B	
700-HN123	SQ2V-07B	
700-HN125	SR2P-06	
700-HN126	SR3P-06	
700-HN128	SY4S-05	
700-HN138	SH3B-05	
700-HN139	SH4B-05	
700-HN154	SR3B-05	
700-HN177	SV9Z-SAW	
700-TBJ20*	SV9Z-J20*	
1492-MC6X10	SV9Z-PW16	
ABB	IDEC	
D 2,5/5-MP-24VDC	RV1H-G-D24	
D 2,5/5-MP-48VDC	RV1H-G-D48	
D 2,5/5-R121AL-24VAC/DC	RV8H-L-AD24	
D 2,5/5-R121AL-48VAC/DC	RV8H-L-AD48	
D 2,5/5-R121BL-110VAC	RV8H-L-AD110	
D 2,5/5-R121BL-230VAC	RV8H-L-AD220	
D 2,5/5-R121L-24VDC	RV8H-L-D24	
Socket	RC55	SV9Z-PW16

Relays
con't

Sockets

0330 1200 246

www.sys-tek.co.uk

Cutler-Hammer		IDEC
Relays	D2PR2	RU2S
	D2PR4	RU4S
	D3PR2	RR2P
	D3PR3	RR3PA
	D3PR5	RR2KP
	D5PR2	RR2P
	D5PR3	RR2P
	D7PR2	RH2B
	D7PR3	RH3B
	D7PR4	RH4B
	XRR1D12	RV1H-G-D12
	XRR1D24	RV1H-G-D24
	XRU1D12	RV8H-L-D12
	XRU1D120U	RV8H-L-AD110
	XRU1D24	RV8H-L-D24
XRU1D24U	RV8H-L-AD24	
Sockets	D2PA4	SY4S-05
	D2PA6	SY4S-05
	D5PA2	SR3B-05
	D3PA2	SR2P-05
	D3PA3-A2	SR3P-06
	D3PA4	SR2P-51
	D3PA2	SR2P-05
	D7PA2	SH2B-05
	D7PA5	SH2B-51
	D7PA3	SH3B-05
D7PA4	SH4B-05	
Cyberdyn		IDEC
Relay	HJQ-22F	RU4S/RV4S
Socket	PYF14A-A	SY4S-05
Finder		IDEC
Relays	34.51.7.005.0010	RV1H-G-D6
	34.51.7.012.0010	RV1H-G-D12
	34.51.7.024.0010	RV1H-G-D24
	34.51.7.048.0010	RV1H-G-D48
	34.51.7.060.0010	RV1H-G-D60
	38.51.0.012.5060	RV8H-L-AD18
	38.51.0.024.5060	RV8H-L-AD24
	38.51.0.048.5060	RV8H-L-AD48

Relays con't	38.51.0.060.5060	RV8H-L-AD60
	38.51.0.125.5060	RV8H-L-AD110
	38.51.0.240.5060	RV8H-L-AD220
	38.51.7.006.5050	RV8H-L-D6
	38.51.7.012.5050	RV8H-L-D12
	38.51.7.024.5050	RV8H-L-D24
	38.51.7.048.5050	RV8H-L-D48
	38.61.0.012.5060	RV8H-S-AD18
	38.61.0.024.5060	RV8H-S-AD24
	38.61.0.048.5060	RV8H-S-AD48
	38.61.0.060.5060	RV8H-S-AD60
	38.61.0.125.5060	RV8H-S-AD110
	38.61.0.240.5060	RV8H-S-AD220
	38.61.7.006.5050	RV8H-S-D6
	38.61.7.012.5050	RV8H-S-D12
38.61.7.024.5050	RV8H-S-D24	
38.61.7.048.5050	RV8H-S-D48	
Sockets	41.31./40.31.	RQ1V-CM
	41.52./40.52.	RQ2V-CN
	41.61./40.61.	RQ1V-CH
	46.61._0	RJ1S-C
	93.01	SV9Z-PW16
	93.2	SV9Z-J20*
	93.64	SV9Z-SAW
	93.01.0.024	SV1H-07L-1
	93.01.0.060	SV1H-07L-2
	93.01.0.125	SV1H-07L-3
93.01.0.240	SV1H-07L-4	
93.51.0.024	SV1H-07LS-1	
93.51.0.060	SV1H-07LS-2	
93.51.0.125	SV1H-07LS-3	
93.51.0.240	SV1H-07LS-4	
95.03/95.83.3	SQ1V-07B	
95.05/95.85.3	SQ2V-07B	

0330 1200 246

www.sys-tek.co.uk

	Omron	IDEC
	G2R-1	RQ1V-CM
	G2R-1-E	RQ1V-CH
	G2R-1-S	RJ1S-C
	G2R-1-SN	RJ1S-CL
	G2R-2	RQ2V-CN
	G2R-2-S	RJ2S-C
	G2R-2-SN	RJ2S-CL
	G2RL-1	RQ1V-CM
	G2RL-1-E	RQ1V-CH
	G2RL-2	RQ2V-CN
	G2RV-1-S DC11	RV1H-G-D12
	G2RV-1-S DC21	RV1H-G-D24
	G2RV-1-S DC48	RV1H-G-D48
	G2RV-SL500-AC/DC24	RV8H-S-AD24
	G2RV-SL500-AC/DC48	RV8H-S-AD48
	G2RV-SL500-AC110	RV8H-S-AD110
	G2RV-SL500-AC230	RV8H-S-AD220
	G2RV-SL500-DC12V	RV8H-S-D12
	G2RV-SL500-DC24V	RV8H-S-D24
Relays	G2RV-SL700-AC/DC24	RV8H-L-AD24
	G2RV-SL700-AC/DC48	RV8H-L-AD48
	G2RV-SL700-AC110	RV8H-L-AD110
	G2RV-SL700-AC230	RV8H-L-AD220
	G2RV-SL700-DC12V	RV8H-L-D12
	G2RV-SL700-DC24V	RV8H-L-D24
	G7SA-2A2B	RF1V-2A2B
	G7SA-3A1B	RF1V-3A1B
	G7SA-3A3B	RF1V-3A3B
	G7SA-4A2B	RF1V-5A1B
	G7SA-5A1B	RF1V-4A2B
	LY2	RH2
	LY3	RH3
	LY4	RH4
	MJN1	RR1BA
	MJN2	RR2BA
	MJN3	RR3B
	MK2P	RR2P
	MK3P	RR3PA
	MRL	RR2KP

	Relays	MY2	RU2
	con't	MY4	RU4/RY4
		P2RF-05	SJ1S-05B
		P2RF-05-E	SJ1S-07L
		P2RF-08	SJ2S-05B
		P2RF-08-E	SJ2S-07L
		P2RV-S	SV9Z-SAW
		P2RVM-200*	SV9Z-J20*
		P7SA-10F	SF1V-4-07L
		P7SA-10P	SF1V-4-61
		P7SA-14F	SF1V-6-07L
	Sockets	P7SA-14P	SF1V-6-61
		PF083A-E	SR2P-06
		PF113A-E	SR3P-05
		PTF08A-E	SH2B-05
		PTF11A	SH3B-05
		PTF11PC	SR3B-05
		PTF14A-E	SH4B-05
		PYF08A-E	SM2S-05
		PYF14A-E	SY4S-05
		R99-15 for G2RV	SV9Z-PW16
		Panasonic/Aromat/Matsushita	IDEC
		AHN1	RJ1S-CL
		AHN2	RJ2S-CL
		SFS2	RF1V-2A2B
		SFS2-L	RF1V-2A2BL
		SFS2--D	RF1V-2A2BD
		SFS2-L--D	RF1V-2A2BLD
		SFS3	RF1V-3A1B
		SFS3-L	RF1V-3A1BL
		SFS3--D	RF1V-3A1BD
	Relays	SFS3-L--D	RF1V-3A1BLD
		SFS4	RF1V-4A2B
		SF4S-L	RF1V-4A2BL
		SF4S--D	RF1V-4A2BD
		SF4S-L--D	RF1V-4A2BLD
		SF5S	RF1V-5A1B
		SF5S-L	RF1V-5A1BL
		SF5S--D	RF1V-5A1BD
		SF5S-L--D	RF1V-5A1BLD

Relays con't	SFS6	RF1V-3A3B
	SFS6-L	RF1V-3A3BL
	SFS6--D	RF1V-3A3BD
	SFS6-L--D	RF1V-3A3BLD
Sockets	AHNA11	SJ1S-05B
	AHNA21	SJ2S-05B
Phoenix Contact		IDEC
Relays	PCL-RSP-12DC/21	RV8H-S-D12
	PLC-RSC-120UC/21	RV8H-L-AD110
	PLC-RSC-120UC/21AU	RV8H-L-AD110
	PLC-RSC-12DC/21	RV8H-L-D12
	PLC-RSC-12DC/21AU	RV8H-L-D12
	PLC-RSC-230UC/21	RV8H-L-AD220
	PLC-RSC-230UC/21AU	RV8H-L-AD220
	PLC-RSC-24DC/21	RV8H-L-D24
	PLC-RSC-24DC/21AU	RV8H-L-D24
	PLC-RSC-24UC/21	RV8H-L-AD24
	PLC-RSC-24UC/21AU	RV8H-L-AD24
	PLC-RSC-48DC/21	RV8H-L-D48
	PLC-RSC-48DC/21AU	RV8H-L-D48
	PLC-RSP-120UC/21	RV8H-S-AD110
	PLC-RSP-230UC/21	RV8H-S-AD220
	PLC-RSP-24DC/21	RV8H-S-D24
	PLC-RSP-24UC/21	RV8H-S-AD24
	PLC-RSP-48DC/21	RV8H-S-D48
	REL-MR- 12DC/21	RV1H-G-D12
	REL-MR- 12DC/21AU	RV1H-G-D12
REL-MR- 24DC/21	RV1H-G-D24	
REL-MR- 24DC/21AU	RV1H-G-D24	
REL-MR- 48DC/21	RV1H-G-D48	
REL-MR- 48DC/21AU	RV1H-G-D48	
REL-MR- 60DC/21	RV1H-G-D60	
REL-MR- 60DC/21AU	RV1H-G-D60	
Releco (Turck)		IDEC
Relays	C2-A20	RR2P
	C3-A20	RR3PA
	C4-A40	RU4S
	C5-A20	RR2BA
	C5-A30	RR3B
	C7-A20	RH2B

Relays con't	C9-A41	RU42S
	C10-A10	RJ1S-CL
Sockets	S2-B	SR2P-06
	S2-S	SR2P-05C
	S2-L	SR2P-51
	S3-B	SR3P-06
	S3-S	SR3P-05C
	S3-L	SR3P-51
	S4-B	SY4S-05C
	S5-S	SR3B-05
	S5-L	SR3B-51
	S7-M	SH2B-05C
	S7-16	SH2B-05C
	S7-L	SH2B-51
	S7-P	SH2B-62
	S9-M	SY4S-05C
	S9-L	SY4S-51
	S9-P	SY4S-62
S-10	SJ1S-07L	
Relpol		IDEC
Relays	PIR6W-1P-115VAC/DC	RV8H-L-AD110
	PIR6W-1P-115VAC/DC-01	RV8H-L-AD110
	PIR6W-1P-12VDC	RV8H-L-D12
	PIR6W-1P-12VDC-01	RV8H-L-D12
	PIR6W-1P-230VAC/DC	RV8H-L-AD220
	PIR6W-1P-230VAC/DC-01	RV8H-L-AD220
	PIR6W-1P-24VAC/DC	RV8H-L-AD24
	PIR6W-1P-24VAC/DC-01	RV8H-L-AD24
	PIR6W-1P-24VDC	RV8H-L-D24
	PIR6W-1P-24VDC-01	RV8H-L-D24
	RM699V-3011-85-1012	RV1H-G-D12
	RM699V-3011-85-1024	RV1H-G-D24
RM699V-3011-85-1060	RV1H-G-D60	
Sockets	PIR6W-1P-115VAC/DC	SV1H-07L-3
	PIR6W-1P-230VAC/DC	SV1H-07L-4
	PIR6W-1P-24VAC/DC	SV1H-07L-1
	ZG20-1*	SV9Z-J20*

0330 1200 246

www.sys-tek.co.uk

	Schneider Electric, Magnecraft Brand	IDEC
	750XBX	RR2P
	750XCX	RR3PA
	78(1)XAX	RH1B
	782XBX	RH2B
	782XBX1	RU2S
	782XBX2	RU2S
	782XDX1	RU4S
	782XDX2	RU4S
	782XDX3	RU42S
	783XCX	RH3B
	784XDX	RH4B
	788XBX	RR2BA
	788XCX	RR3B
	78XCX	RH3B
	78XDX	RH4B
	A283XAX	RR1BA
	A283XBX	RR2BA
	A283XCX	RR3B
	A314XBX	RR2P
	A314XCX	RR3PA
Relays	RSL 1AB4BD	RV1H-G-D24
	RSL 1AB4ED	RV1H-G-D48
	RSL 1AB4JD	RV1H-G-D12
	RSL 1AB4ND	RV1H-G-D60
	RSL 1PRBU	RV8H-S-AD24
	RSL 1PREU	RV8H-S-AD48
	RSL 1PRFU	RV8H-S-AD110
	RSL 1PRJU	RV8H-S-AD12
	RSL 1PRPU	RV8H-S-AD220
	RSL 1PVBU	RV8H-L-AD24
	RSL 1PVEU	RV8H-L-AD48
	RSL 1PVFU	RV8H-L-AD110
	RSL 1PVJU	RV8H-L-AD12
	RSL 1PVPU	RV8H-L-AD220
	W250ACPX	RR2P
	W250CPX	RR3PA
	W388	RR*B
	W78(A)CSX	RU4S
	W78(A)R	RH2B
	W78(A)T	RU42S

	70-464-1	SR2P-06
	70-465-1	SR3P-06
	70-459-1	SH2B-05
	70-461-1	SY4S-05
	70-783D-1	SH3B-05C
	70-463-1	SR3B-05
	70-124-1	SR3B-51
	70-378-1	SY4S-51
	70-401-1	SH2B-51
	70-402-1	SH2B-62
	70-379-1	SY4S-61
	70-781D-1	SH1B-05
Sockets	70-781F-1	SH1B-51
	70-781T-1	SH1B-62
	70-784D-1	SH4B-05C
	70-78D-1	SH4B-05
	RSL ZRA1	SV1H-07LS-1
	RSL ZRA2	SV1H-07LS-2
	RSL ZRA3	SV1H-07LS-3
	RSL ZRA4	SV1H-07LS-4
	RSL ZVA1	SV1H-07L-1
	RSL ZVA2	SV1H-07L-2
	RSL ZVA3	SV1H-07L-3
	RSL ZVA4	SV1H-07L-4
	RSL Z2	SV9Z-J20*
	Square D by Schneider Electric	IDEC
	8501KF12	RR2BA-US
	8501KF13	RR3B-US
	8501KP12	RR2P
	8501KP13	RR3PA
	8501KU12	RR2BA
	8501KU13	RR3B
Relays	8501RS(D)14	RU4S/R4Y4S
	8501RS(D)24	RU42S/R4Y42S
	8501RS(D)4	RU4S/R4Y4S
	8501RS(D)41	RH1B
	8501RS(D)42	RH2B
	8501RS(D)43	RH3B
	8501RS(D)44	RH4B

Sockets	8501NR82	SR3B-05	
	8501NR52	SR2P-05	
	8501NR52F	SR2P-05C	
	8501NR62	SR3P-05	
	8501NR62F	SR3P-05C	
	8501NR61	SR3P-06	
	8501NR45	SY4S-05	
	8501NR45F	SY4S-05C	
	8501NR41	SH1B-05	
	8501NR42	SH2B-05	
	8501NR42F	SH2B-05C	
	8501NR43	SH3B-05	
	8501NR34	SH4B-05	
TE Connectivity, Potter & Brumfield		IDEC	
Relays	K10	RH2B	
	KHAE-11	RM2V	
	KHAE-17	RY4V	
	KHAU-11	RU2S	
	KHAU-17	RU4S	
	KRP(A)-11	RR2P	
	KRP(A)-14	RR3PA	
	KUP-11	RR2BA	
	KUP-14	RR3B	
	KUP-5	RR1BA	
	KUP93-11	RR3B	
	RT114_F	RQ1V-CM	
	RT424_F	RQ2V-CN	
	RT314_F	RQ1V-CH	
	Sockets	8-1415035-1	SQ1V-07B
		6-1415035-1	SQ2V-07B
		27E895	SH2B-05
27E489		SH2B-62	
27E024		SY4S-62	
27E891		SR2P-06	
27E892		SR2P-05	
27E123		SR3P-06	
27E893		SR3B-05	
27E168		SR3B-51	

TE Connectivity, Schrack		IDEC
Relays	MT2	RR2P
	MT3	RR3PA
	PT2	RU2S
	PT4	RU4S
	RM2	RR2BA
	RM3	RR3B
	RT114	RQ1V-CM
	RT314	RQ1V-CH
	RT424	RQ2V-CN
	ST3P2LC4	RV8H-L-D24
	ST3P3LB2	RV8H-L-D12
	ST3P3LC4	RV8H-L-D24
	ST3P3SM5	RV8H-L-AD110
ST3P3TP0	RV8H-L-AD220	
Sockets	ST4P3LB2	RV8H-S-D12
	ST4P3LC4	RV8H-S-D24
	ST4P3SM5	RV8H-S-AD110
	ST4P3TP0	RV8H-S-AD220
	V23092-S1012-A301	RV1H-G-D12
	V23092-S1024-A301	RV1H-G-D24
	V23092-S1060-A301	RV1H-G-D60
	8-1415035-1	SQ1V-07B
	6-1415035-1	SQ2V-07B
	MT78755	SR2P-06
MT78750	SR3P-06	
PT78702	SM2S-05	
PT78704	SY4S-05	
27E023/27E220	SY4S-61	
ST3FLC4	SV1H-07L-1	
ST3FSM5	SV1H-07L-3	
ST3FTP0	SV1H-07L-4	
ST4FLC4	SV1H-07LS-1	
ST4FSM5	SV1H-07LS-3	
ST4FTP0	SV1H-07LS-4	

0330 1200 246

www.sys-tek.co.uk

	Weidmuller	IDEC
Relays	MRS 12 VDC 1CO	RV8H-L-D12
	MRS 120 VUC 1CO	RV8H-L-AD110
	MRS 230 VUC 1CO	RV8H-L-AD220
	MRS 24 VDC 1CO	RV8H-L-D24
	MRS 24 VUC 1CO	RV8H-L-AD24
	MRS 5 VDC 1CO	RV8H-L-D6
	MRZ 12 VDC 1CO	RV8H-S-D12
	MRZ 120 VUC 1CO	RV8H-S-AD110
	MRZ 230 VUC 1CO	RV8H-S-AD220
	MRZ 24 VDC 1CO	RV8H-S-D24
	MRZ 24 VUC 1CO	RV8H-S-AD24
	MRZ 5 VDC 1CO	RV8H-S-D6
	RSS112060 60Vdc-Rel1U	RV1H-G-D60
	RSS113012 12Vdc-Rel1U	RV1H-G-D12
	RSS113024 24Vdc-Rel1U	RV1H-G-D24
Sockets	WS 12/6	SV9Z-PW16
	ZQV 4N / 20 *	SV9Z-J20*

*Indicates additional digits required to complete part number.

Note: The cross references listed are the closest match physically and functionally. If you are looking to match a specific application requirement, please refer to the IDEC Industrial Automation Catalogue.

www.fotorele.net

0330 1200 246

www.sys-tek.co.uk

SOLID STATE RELAY CROSS PRODUCTS

Guaranteed-for-life Opto 22 solid state relays (SSRs) can in many cases be substituted for other manufacturers' SSRs. This technical note lists part number matches and notes differences with other manufacturers' products.

If you have any questions on the list or on Opto 22 SSRs, please contact Opto 22.

Phone: 800-321-6786 (toll-free in the U.S. and Canada) or 951-695-3000

Email: systemseng@opto22.com

NOTE: Although this information is accurate to the best of our knowledge as of the document date, Opto 22 accepts no liability for the completeness or accuracy of the information nor for the consequences of any actions taken on the basis of the information provided. Please let us know if you find inaccuracies.

Cross-Reference Product List

For details on Opto 22 SSRs, see the [SSR Data Sheet, form 0859](#).

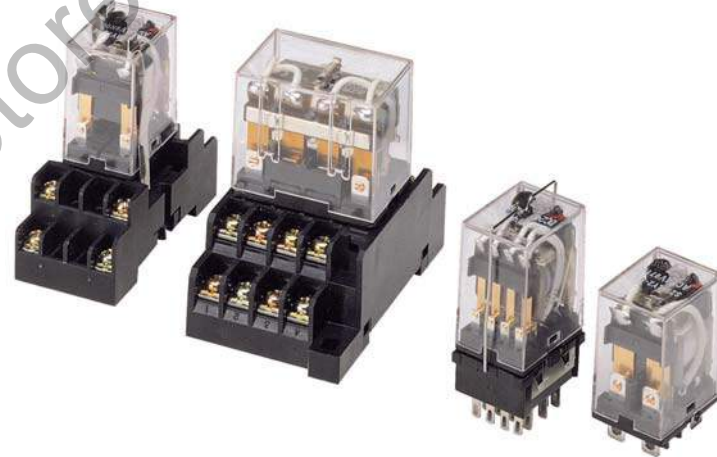
Opto 22	Crydom	Crouzet (Crydom)	Notes
120A10	A1210	--	
120A25	A1225	--	
240A10	A2410	84134001	
240A25	A2425	84134011	
240A45	A2450	84134021	Opto 22 is rated at 45 A.
120D3	--	--	No cross.
120D10	D1210	--	
120D25	D1225	--	
120D45	D1240	--	Opto 22 is rated at 45 A.
240D3	--	--	No cross.
240D10	D2410	84134000	
240Di10	D2410	84134000	Opto 22 part has LED indicator.
240D25	D2425	84134010	
240Di25	D2425	84134010	Opto 22 part has LED indicator.
240D30-HS	D2425		Opto 22 part has integrated heat sink and is rated at 30 A.
240D45	D2450	84134020	Opto 22 is rated at 45 A.
240Di45	D2450	84134020	Opto 22 part has LED indicator and is rated at 45 A.
380D25	--	--	No cross.*
380D45	--	--	No cross.*
480D10-12	HD4812	--	
480D15-12	--	--	
480D25-12	HD4825	--	
480D25-HS	HD4825	--	Opto 22 has an integrated heatsink.
480D45-12	HD4850	--	Opto 22 part is rated at 45 A.
575D15-12	--	84134100	Opto 22 operating voltage is 100-600 VAC, rated at 15 A.
575D45-12	HD6025	84134120	Opto 22 operating voltage is 100-600 VAC, rated at 45 A.

Opto 22	Crydom	Crouzet (Crydom)	Notes
575D30-HS	HD6025	84134110	Opto 22 part has integrated heatsink, operating voltage 100-600 VAC, rated at 30 A.
575Di45-12	HD6050	--	Opto 22 has LED indicator, operating voltage 100-600 VAC, rated at 45 A.
MP120D2	--	--	No cross.
MP120D4	MP120D3	GA8-6B02	
MP240D2	--	GA8-6B02	
MP240D4	MP240D3	GA8-6B02	
MP380D4	MCX380D5	--	Opto 22 is rated at 4 A.
P120D2	--	GA1-6B02	
P120D4	--	GA1-6B02	
P240D2	--	GA1-6B02	
P240D4	--	GA1-6B02	
Z120D10	EZ240D12	--	Opto 22 is rated at 10 A.
Z240D10	EZ240D12	--	Opto 22 is rated at 10 A.
DC60P	--	--	No cross.
DC60MP	MPDCD3, MODC5	--	
DC200P	--	--	No cross.
DC200MP	MODC5A	--	
DC60S3	DC60S3	--	Opto 22 is rated at 3 A.
DC60S5	DC60S5	84134750	Opto 22 is rated at 5 A.
* If your distributor is temporarily out of stock on Opto 22 380D25 or 380D45, you can substitute Opto 22 480D25-12 or 480D45-12.			

Relay Release

March 2003

www.fotorele.net



What is a relay's function?

Basic

A relay detects a change in the electrical signal to the coil. Then it transforms the signal into a mechanical force that operates the contacts. These contacts are used to control a circuit (load circuit).

Relays can be used to do any of the following functions:

- Amplification
- Signal Transfer
- Signal Conversion
- Noise Protection
- Calculation
- Detection, alarm
- Etc.

Who needs a relay?

Control panel builders for

- Machine tools
- Elevator panels
- Conveyor systems
- Test equipment
- Packaging equipment
- Food and beverage manufacturing
- Automation



Honeywell

Features

- **Amp**
 - 3 amp version (4PDT)
 - 5 amp version (DPDT)
 - 10 amp version (4PDT or DPDT)
- **Global range of voltages (14 voltage ratings)**
- **Options**
 - Internal surge protection diode option
 - Red LED operation indicator option (coil energized)
- **Holding clips included with **all** sockets.**
The competition makes you pay for them.
- **Factory ISO 9001**

Honeywell

Features

- **Termination Styles**
 - Solder/plug-in termination
 - PCB-type termination
- **Three socket styles:**
 - DIN-rail
 - PCB
 - Solder
- **Approvals**
 - UL recognized
 - CE certified
 - CSA certified

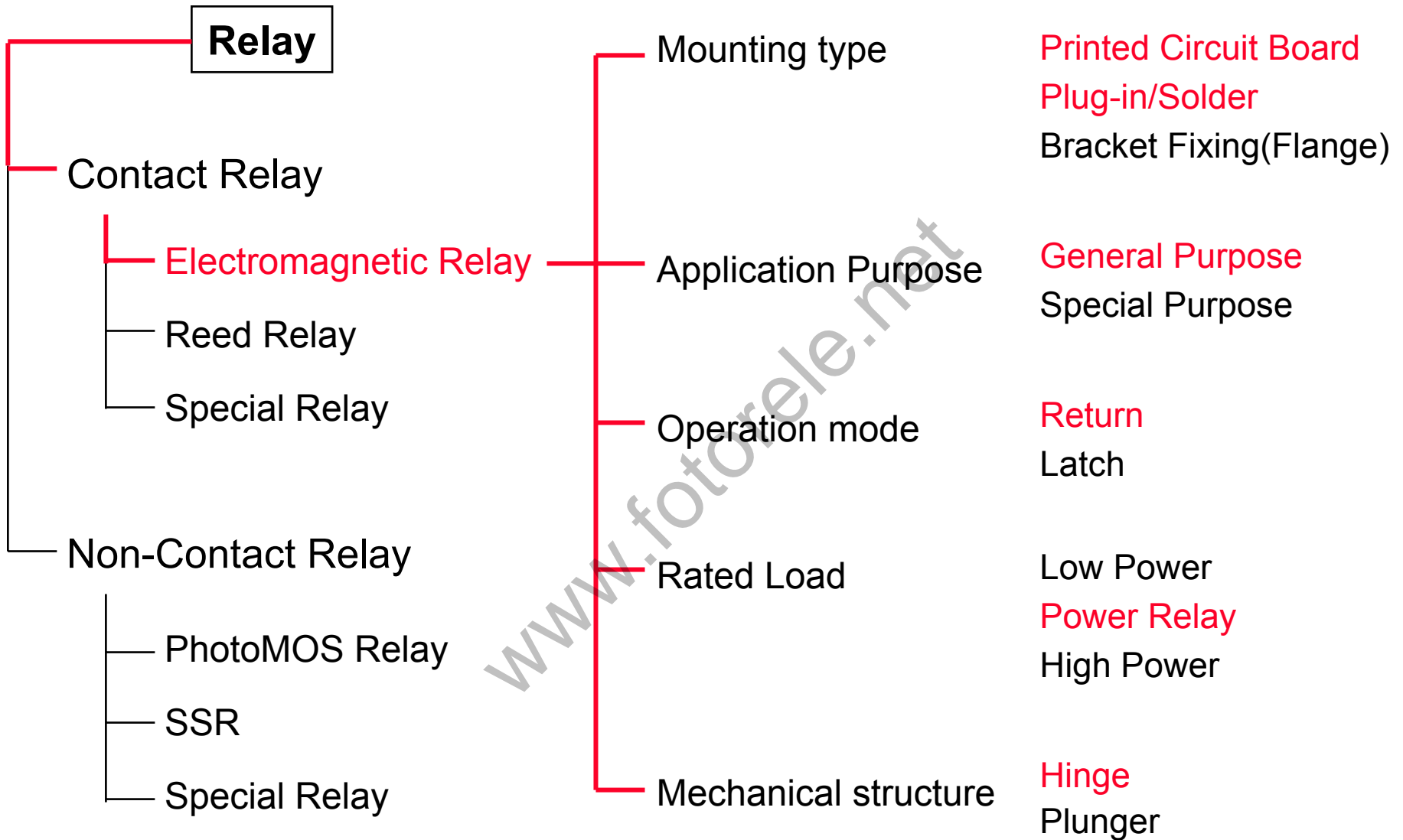
www.fotorele.net

Benefits

- **Product a success in Asia Pacific**
- **High quality**
- **Reliable**
- **Can meet a wide variety of common applications**
- **Holding clips do not have to be ordered and/or stocked separately**
- **Interchangeable with major competitive brands**
- **Competitively priced (especially in lower quantities)**

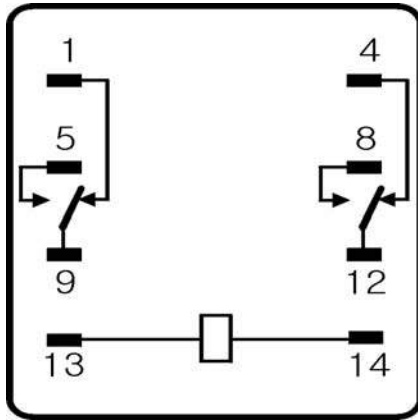
Honeywell

What kind of a relay is the SZR ?

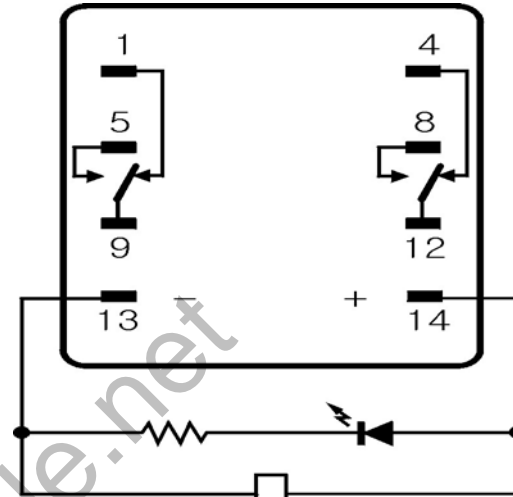


Honeywell

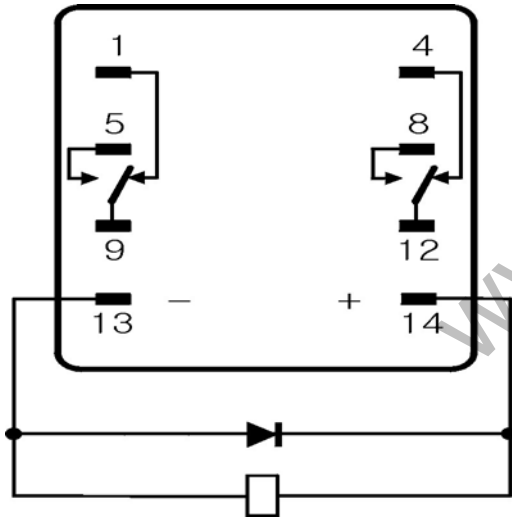
What options do we have ?



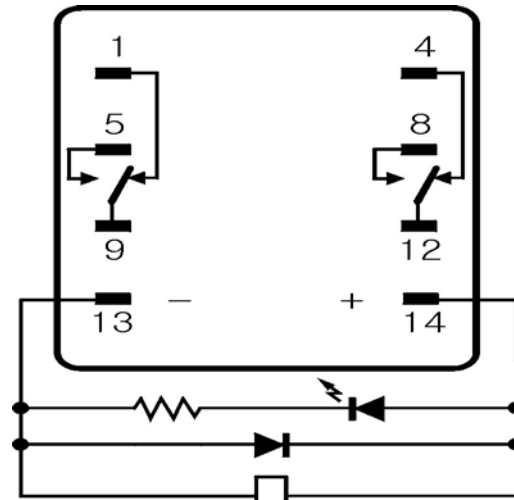
Standard



N type(LED indicator)

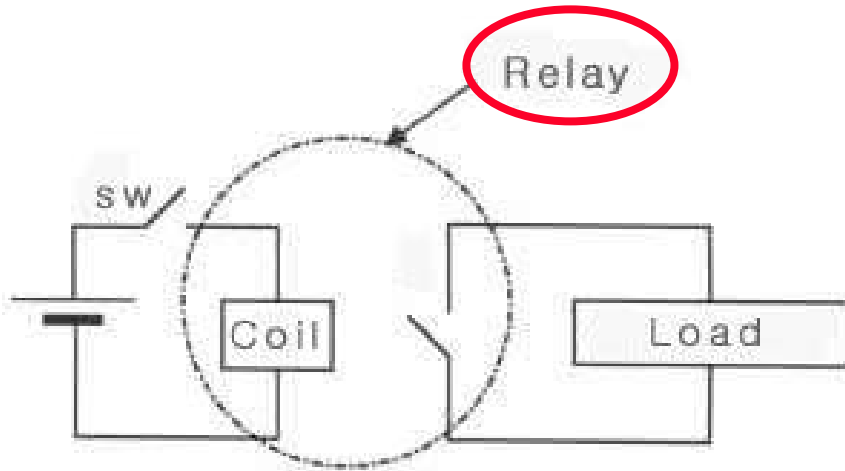


D type(Diode Surge Suppression)



X type(LED + Diode) **Honeywell**

How it works



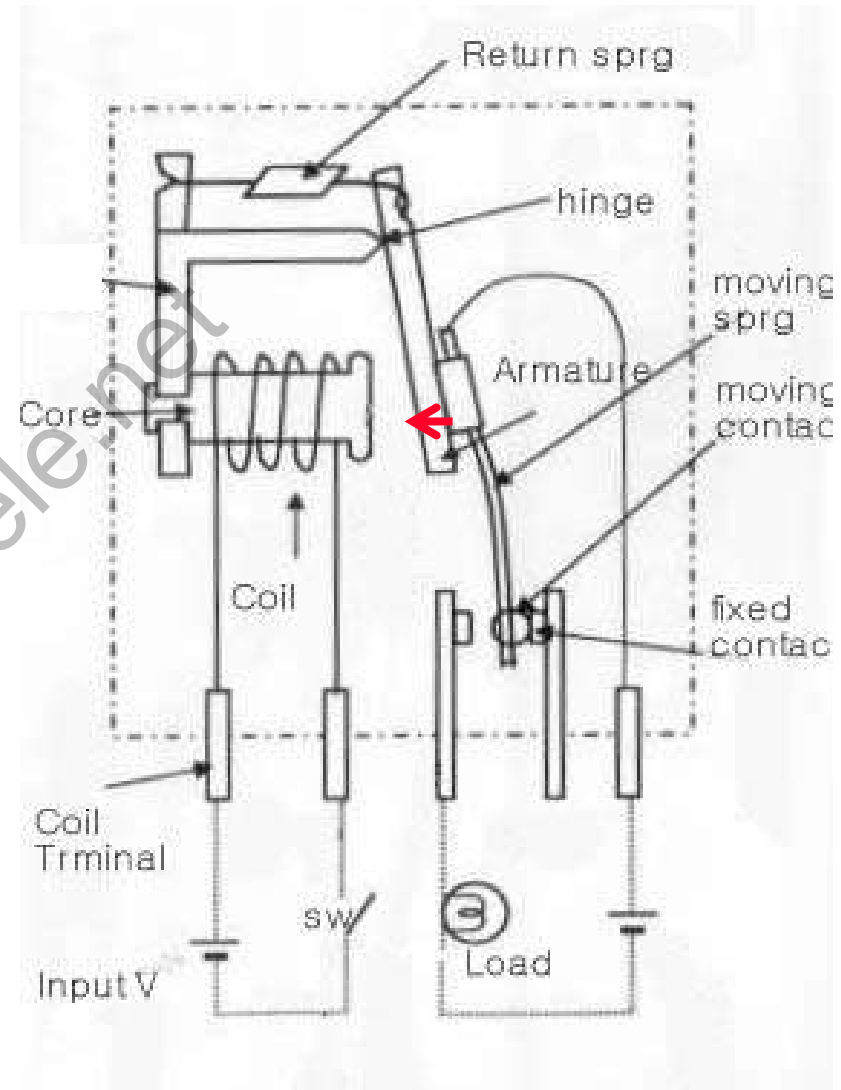
When the switch in the circuit closes, the coil is energized.

Magnetic flux from the coil magnetizes the core.

The armature is pulled to the core by the magnetic force.

The moving contact is pulled to the fixed contact which completes the circuit.

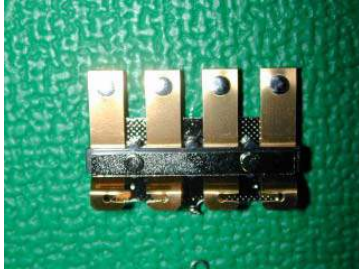
When the circuit switch opens the armature is returned to its original state by the force of return spring.



Honeywell

Internal structure

Moving Part Assembly



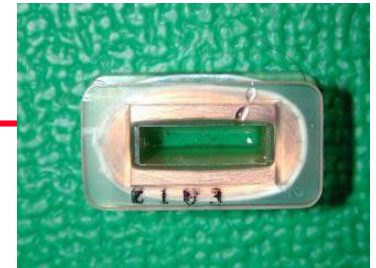
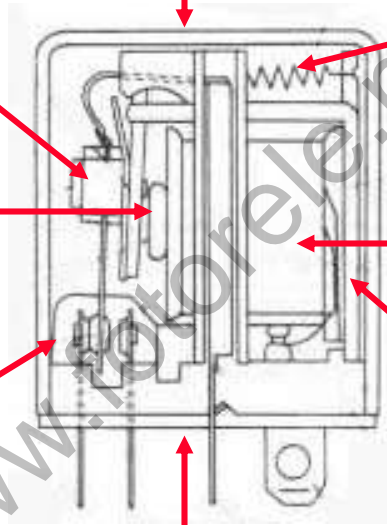
Ice Cube



Return Spring



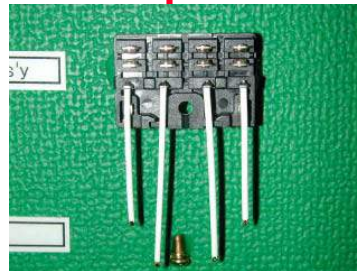
Core



Coil / Bobbin



Arc Barrier



Base Part Assembly



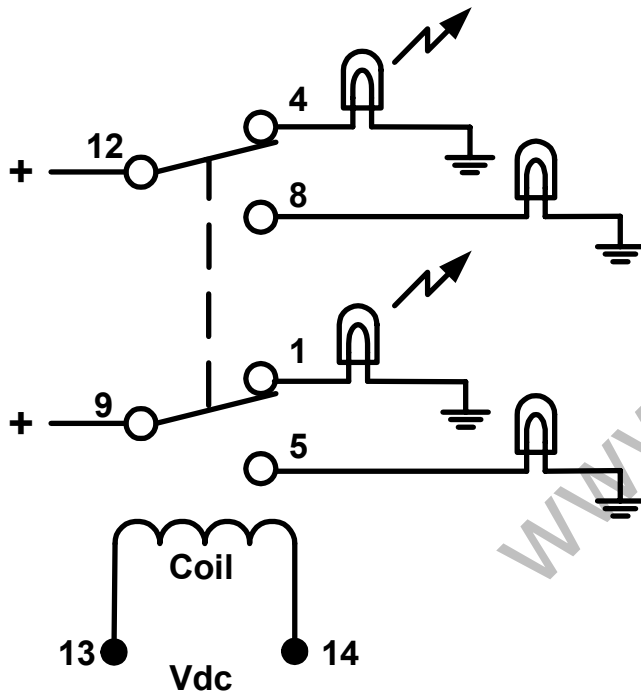
Yoke

Honeywell

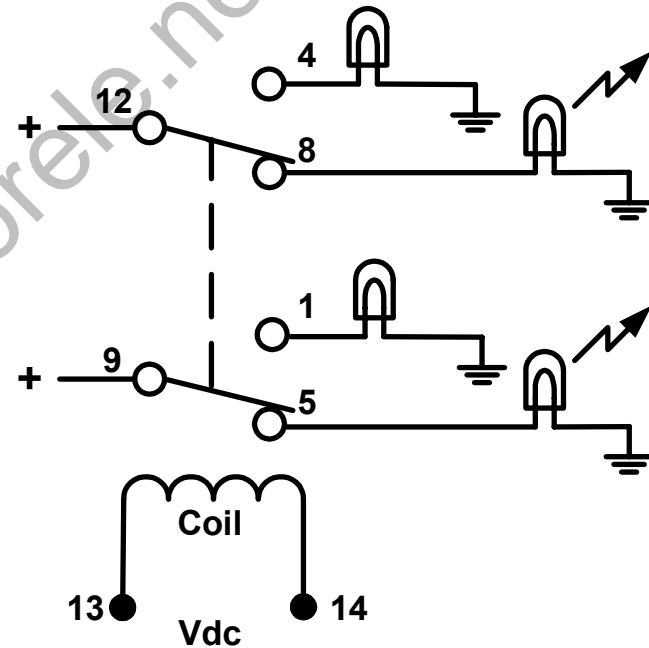
How it works

Example DPDT Circuit Diagram

Double Pole Double Throw Relay
Coil Deenergized



Double Pole Double Throw Relay
Coil Energized



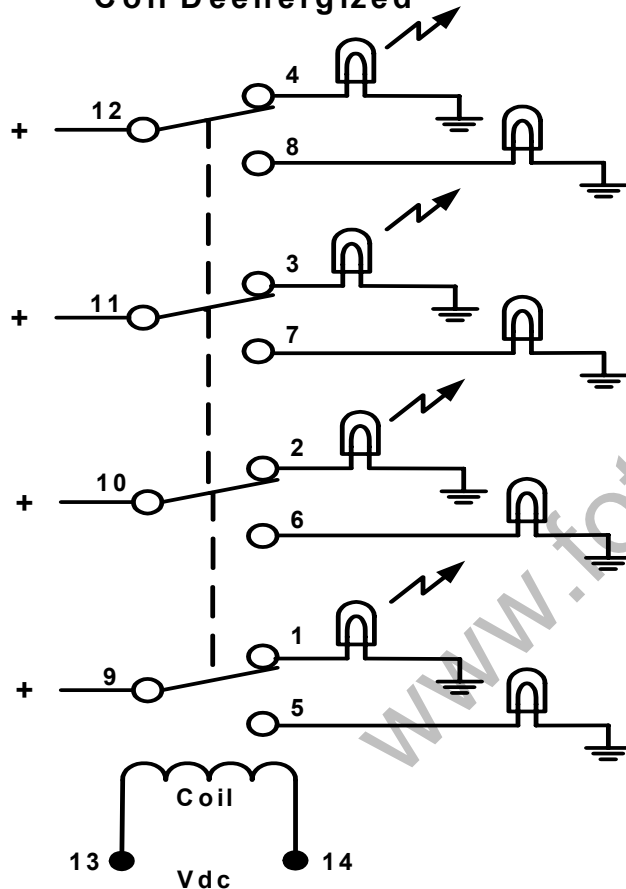
Drawings based on MY Series

Honeywell

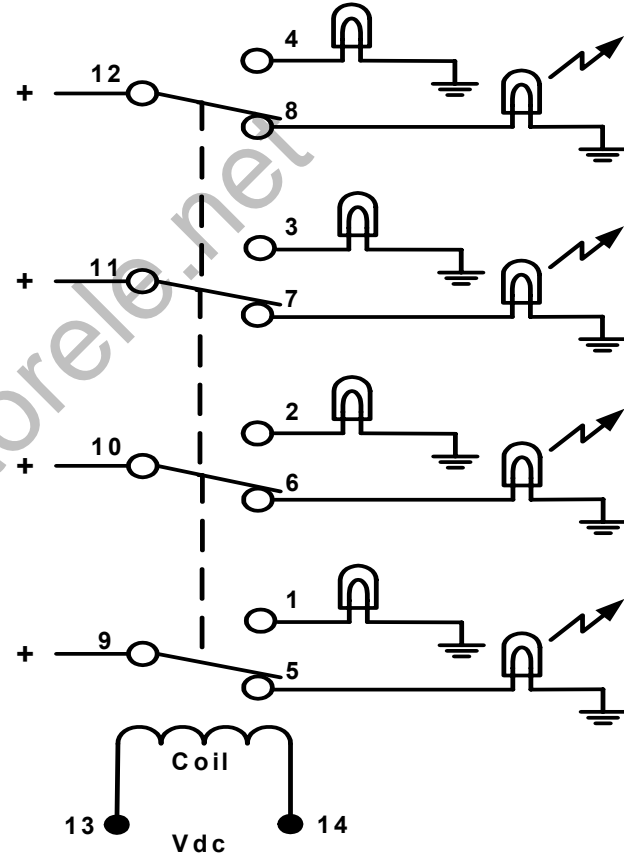
How it works

Example 4PDT Circuit Diagram

Four Pole Double Throw Relay
Coil Deenergized



Four Pole Double Throw Relay
Coil Energized



Drawings based on MY Series

Honeywell

Current Customers

Honeywell has supplied the switches used in controlling machine function for over 50 years.



Relays are almost always an integral part of those machine controls.

With the addition of relays to Honeywell's product portfolio we are now able to offer a more complete control solution.

Honeywell

Competitive Cross Reference

SZR-LY

Honeywell	Omron	FINDER	NAIS	IDEC	P&B	A.Zettler
SZR-LY2-1-AC110-120V	LY2-AC110/120	56.32.8.120.0000	HL2-H-AC115V	RH2B-U-AC120V	K10P-11A15-120	AZ165-2CT-120A
SZR-LY2-1-AC220V	LY2-AC220	56.32.8.220.0000	HL2-H-AC240V	RH2B-U-AC220V	K10P-11A15-240	AZ165-2CT-220A
SZR-LY2-1-DC12V	LY2-DC12	56.32.9.012.0000	HL2-H-DC12V	RH2B-U-DC12V	K10P-11D15-12	AZ165-2CT-12D
SZR-LY2-1-DC24V	LY2-DC24	56.32.9.024.0000	HL2-H-DC24V	RH2B-U-DC24V	K10P-11D15-24	AZ165-2CT-24D
SZR-LY2-1P-AC110-120V	LY2-0-AC110/120	56.42.8.120.0000	HL2-HP-AC115V	RH2V2-U-AC120V	K10P-11A55-120	AZ164-2CT-120A
SZR-LY2-1P-DC24V	LY2-0-DC24	56.42.9.024.0000	HL2-HP-DC24V	RH2V2-U-DC24V	K10P-11D55-24	AZ164-2CT-24D
SZR-LY2-D1-DC24V	LY2-D-DC24	NA	NA	RH2B-D-DC24V	NA	NA
SZR-LY2-N1-AC110-120V	LY2N-AC110/120	56.32.8.120.0030	HL2-L-AC115V	RH2B-UL-AC120V	NA	AZ165-2CT-120A1
SZR-LY2-N1-AC220V	LY2N-AC220	56.32.8.220.0030	HL2-L-AC240V	RH2B-UL-AC220V	NA	AZ165-2CT-220A1
SZR-LY2-N1-DC12V	LY2N-DC12	56.32.9.012.0030	HL2-L-DC12V	RH2B-UL-DC12V	NA	AZ165-2CT-12D1
SZR-LY2-N1-DC24V	LY2N-DC24	56.32.9.024.0030	HL2-L-DC24V	RH2B-UL-DC24V	NA	AZ165-2CT-24D1
SZR-LY2-X1-DC24V	LY2N-D2-DC24	56.32.9.024.0060	NA	RH2B-LD-DC24V	NA	NA
SZR-LY4-1-AC110-120V	LY4-AC110/120	56.34.8.120.0000	NA	RH4B-U-AC120V	NA	NA
SZR-LY4-1-AC220V	LY4-AC220	56.34.8.220.0000	NA	RH4B-U-AC220V	NA	NA
SZR-LY4-1-DC12V	LY4-DC12	56.34.9.012.0000	NA	RH4B-U-DC12V	NA	NA
SZR-LY4-1-DC24V	LY4-DC24	56.34.9.024.0000	NA	RH4B-U-DC24V	NA	NA
SZR-LY4-1P-AC110-120V	LY4-0-AC110/120	56.44.8.120.0000	NA	RH4V2-U-AC120V	NA	NA
SZR-LY4-1P-DC24V	LY4-0-DC24	56.44.9.024.0000	NA	RH4V2-U-DC24V	NA	NA
SZR-LY4-D1-DC24V	LY4-D-DC24	NA	NA	RH4B-D-DC24V	NA	NA
SZR-LY4-N1-AC110-120V	LY4N-AC110/120	56.34.8.120.0030	NA	RH4B-UL-AC120V	NA	NA
SZR-LY4-N1-AC220V	LY4N-220	56.34.8.220.0030	NA	RH4B-UL-AC220V	NA	NA
SZR-LY4-N1-DC12V	LY4N-DC12	56.34.9.012.0030	NA	RH4B-UL-DC12V	NA	NA
SZR-LY4-N1-DC24V	LY4N-DC24	56.34.9.024.0030	NA	RH4B-UL-DC24V	NA	NA
SZR-LY4-X1-DC24V	LY4N-D2-DC24	56.34.9.024.0060	NA	RH4B-LD-DC24V	NA	NA
SZX-SLB-08	PT08	NA	HL2-SS-K	SH2B-51	27E488	NA
SZX-SLB-08P	PT08-0	96.12.0	HL2-PS-K	SH2B-62	27E489	NA
SZX-SLB-14	PT14	NA	NA	SH4B-51	NA	NA
SZX-SLB-14P	PT14-0	96.14.0	NA	SH4B-62	NA	NA
SZX-SLF-08N	PTF08A	96.72.0	HL2-SFD-K	SH2B-05	27E895	NA
SZX-SLF-14	PTF14A	96.74.0	NA	SH4B-05	NA	NA

Honeywell

Competitive Cross Reference

SZR-MY

Honeywell	Omron	FINDER	NAIS	IDEC	P&B	A.Zettler
SZR-MY2-1-AC110-120V	MY2 AC110/120 (S)	55.32.8.120.0000	HC2-H-AC115V	RM2S-U-AC120V	KHAU-11A11-120	AZ165-2C-120A
SZR-MY2-1-AC220V	MY2 AC220 (S)	55.32.8.220.0000	HC2-H-AC240V	RM2S-U-AC220V	KHAU-11A11-240	AZ165-2C-220A
SZR-MY2-1-DC12V	MY2 DC12 (S)	55.32.9.012.0000	HC2-H-DC12V	RM2S-U-DC12V	KHAU-11D11-12	AZ165-2C-12D
SZR-MY2-1-DC24V	MY2 DC24 (S)	55.32.9.024.0000	HC2-H-DC24V	RM2S-U-DC24V	KHAU-11D11-24	AZ165-2C-24D
SZR-MY2-1P-AC110-120V	MY2-02 AC110/120 (S)	55.12.8.120.0000	HC2-HP-AC115V	RM2V-U-AC120V	KHAE-11A11-120	AZ164-2C-120A
SZR-MY2-1P-DC24V	MY2-02 DC24 (S)	55.12.9.024.0000	HC2-HP-DC24V	RM2V-U-DC24V	KHAE-11D11-24	AZ164-2C-24D
SZR-MY2-D1-DC24V	MY2-D DC24 (S)	NA	NA	NA	NA	NA
SZR-MY2-N1-AC110-120V	MY2N AC110/120 (S)	55.32.8.120.0030	HC2-HL-AC115V	RM2S-UL-AC120V	KHAU-11A11N-120	AZ165-2C-120A1
SZR-MY2-N1-AC220V	MY2N AC220 (S)	55.32.8.220.0030	HC2-HL-AC240V	RM2S-UL-AC220V	KHAU-11A11N-240	AZ165-2C-220A1
SZR-MY2-N1-DC12V	MY2N DC12 (S)	55.32.9.012.0030	HC2-HL-DC12V	RM2S-UL-DC12V	KHAU-11D11L-12	AZ165-2C-12D1
SZR-MY2-N1-DC24V	MY2N DC24 (S)	55.32.9.024.0030	HC2-HL-DC24V	RM2S-UL-DC24V	KHAU-11D11L-24	AZ165-2C-24D1
SZR-MY2-X1-DC24V	MY2N-D2 DC24 (S)	55.32.9.024.0060	NA	NA	NA	NA
SZR-MY4-1-AC110-120V	MY4 AC110/120 (S)	55.34.8.120.0000	HC4-H-AC115V	RY4S-U-AC120V	KHAU-17A18-120	AZ165-4C-120A
SZR-MY4-1-AC220V	MY4 AC220 (S)	55.34.8.220.0000	HC4-H-AC240V	RY4S-U-AC220V	KHAU-17A18-240	AZ165-4C-220A
SZR-MY4-1-DC12V	MY4 DC12 (S)	55.34.9.012.0000	HC4-H-DC12V	RY4S-U-DC12V	KHAU-17D18-12	AZ165-4C-12D
SZR-MY4-1-DC24V	MY4 DC24 (S)	55.34.9.024.0000	HC4-H-DC24V	RY4S-U-DC24V	KHAU-17D18-24	AZ165-4C-24D
SZR-MY4-1P-AC110-120V	MY4-02 AC110/120 (S)	55.14.8.120.0000	HC4-HP-AC115V	RY4V-U-AC120V	KHAE-17A18-120	AZ164-4C-120A
SZR-MY4-1P-DC24V	MY4-02 DC24 (S)	55.14.9.024.0000	HC4-HP-DC24V	RY4V-U-DC24V	KHAE-17D18-24	AZ164-4C-24D
SZR-MY4-D1-DC24V	MY4-D DC24 (S)	NA	NA	NA	NA	NA
SZR-MY4-N1-AC110-120V	MY4N AC110/120 (S)	55.34.8.120.0030	HC4-HL-AC115V	RY4S-UL-AC120V	KHAU-17A18N-120	AZ165-4C-120A1
SZR-MY4-N1-AC220V	MY4N AC220 (S)	55.34.8.220.0030	HC4-HL-AC240V	RY4S-UL-AC220V	KHAU-17A18N-240	AZ165-4C-220A1
SZR-MY4-N1-DC12V	MY4N DC12 (S)	55.34.9.012.0030	HC4-HL-DC12V	RY4S-UL-DC12V	KHAU-17D18L-12	AZ165-4C-12D1
SZR-MY4-N1-DC24V	MY4N DC24 (S)	55.34.9.024.0030	HC4-HL-DC24V	RY4S-UL-DC24V	KHAU-17D18L-24	AZ165-4C-24D1
SZR-MY4-X1-DC24V	MY4N-D2 DC24 (S)	55.34.9.024.0060	NA	NA	NA	NA
SZX-SMB-08	PY08	94.22.0	HC2-SS-K	SY2S-51	NA	NA
SZX-SMB-08P	PY08-02	94.12.0	HC2-PS-K	SY2S-62	27E220	NA
SZX-SMB-14	PY14	94.24.0	HC4-SS-K	SY4S-51	27E006	NA
SZX-SMB-14P	PY14-02	94.14.0	HC4-PS-K	SY4S-62	27E023	NA
SZX-SMF-08N	PYF08A	94.72.0	HC2-SFD-K	SY2S-05	NA	NA
SZX-SMF-14N	PYF14A	94.74.0	HC4-SFD-K	SY4S-05	27E894	NA
SZX-SMF-08S	PYF08A	NA	HC2-SFD-S	SY2S-05	NA	NA
SZX-SMF-08SE	PYF08AE	94.72.0	NA	SY2S-05C	NA	NA

Honeywell

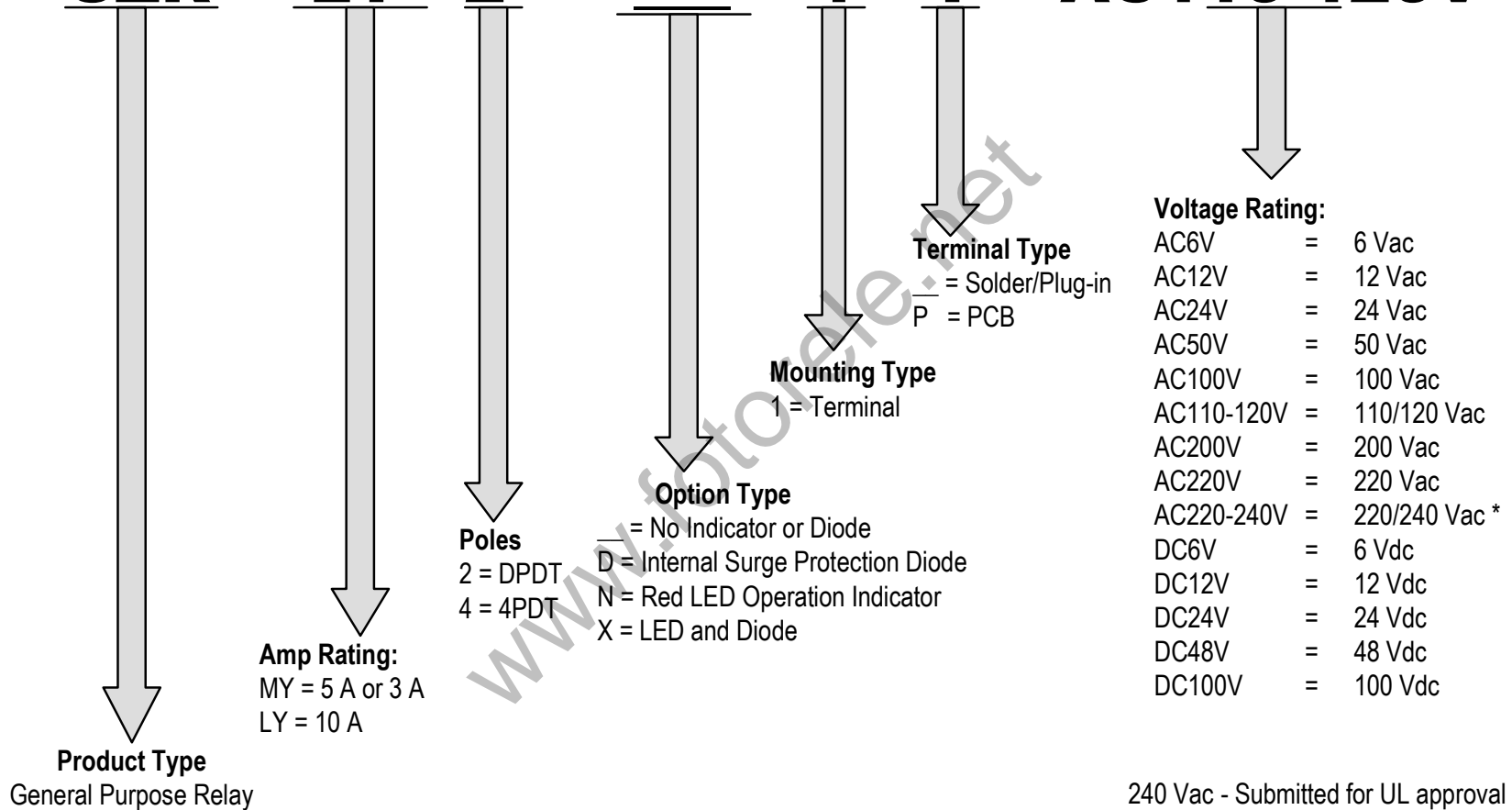
Relay Selection Considerations

Coil	Coil power source DC or AC ? What is pick-up voltage and drop-out voltage ? Operate time and release time ? Coil resistance ?
Contact	What is the contact form and number of poles ? What is the level of contact load ? What switching frequency is needed ? Life expectancy is enough ?
Mounting	Outside dimensions ? Mounting method ? Plug-in or soldering ?
Insulation	Dielectric strength ? Insulation resistance ?
Environment	Ambient temperature and humidity Vibration and Shock ?

Honeywell

Catalog Listing Matrix

SZR - LY 2 - 1 P - AC110-120V



Honeywell

Warnings

WARNING

MISUSE OF DOCUMENTATION

- The information presented in this product sheet is for reference only. Do not use this document as product installation information.

Failure to comply with these instructions could result in death or serious injury.

WARNING

PERSONAL INJURY

- DO NOT USE these products as safety or emergency stop devices, or in any other application where failure of the product could result in personal injury.

Failure to comply with these instructions could result in death or serious injury.

Honeywell



KEMET NEC TOKIN EC2/EE2 Miniature Signal Relays

KEMET NEC TOKIN EC2/EE2 Miniature Signal Relays are compact and slim, consuming minimal board space. The devices are available in through-hole (EC2 series) or surface mount (EE2 series) configurations. Users have the option of non-latching (single coil) or latching (single-coil or double-coil) types. Through-hole lead type options include standard, trimmed, and high insulation cable leads. Surface mount models are available with standard, minimum footprint, high solder joint reliability, high insulation, and high breakdown voltage lead options. EC2/EE2 series relays are recognized by UL and CSA, and have FCC (1500V) and Telecordia (2500V) safety approvals.



View Product List

Additional Resources:

- Datasheet
- Application Note



QR код

- РЕЛЕ,
- нес, token, kemet,
- CIT,
- Crydom,
- Fujitsu,
- Hasco,
- KG Technology,
- NEC,
- Omron,
- SKY,
- TE (Tyco),
- American Zettler,
- Aromat,
- Crouzet,
- DuraKool,
- Guardian,
- Idec,
- Magnecraft,
- NTE,
- Panasonic,
- Song Chuan,
- Тусо,
- Automotive, Picker

www.fotorele.net