

каталог, описание, технические, характеристики, datasheet, параметры,
маркировка, габариты, фото, даташит, спецификация, сайт, Беларусь, Минск,
продажа, купить, аналог, замена, Ventilator, Fulltech



1. UF15PC Серия,

Axial Fan

Описание, характеристики, UF25GCB Серия, UF25HC Серия, UF25GCA Серия, UF25GC Серия, UF25GCE Серия, UF22F Серия, UF20JC Серия, UF18JC Серия, UF17P Серия, UF17PC Серия, UF16FC Серия, UF15P Серия, UF15PE Серия, UF15KC Серия, UF15KCR Серия, UF15KM Серия, UF15KMR Серия, UF15KME Серия, UF15KMRE Серия, UF15AC Серия, UF15A Серия, UF13A Серия, UF12AR Серия, UF12A Серия, UF12AE Серия, UF12AM Серия, UF12BR Серия, UF12B Серия, UF92AM Серия, UF92A Серия, UF92B Серия, UF80A Серия, UF80B Серия, UF60D Серия,

Axial Fan

<u>Описание, характеристики,</u>	<u>UF25GCB Серия, UF25HC Серия, UF25GCA Серия, UF25GC Серия, UF25GCE Серия, UF22F</u>
	<u>Серия, UF20JC Серия, UF18JC Серия, UF17P Серия, UF17PC Серия, UF16FC Серия, UF15P Серия, UF15PC Серия, UF15PE</u>
	<u>Серия, UF15KC Серия, UF15KCR Серия, UF15KM Серия, UF15KMR Серия, UF15KME Серия, UF15KMRE Серия, UF15AC Серия,</u>
	<u>UF15A Серия, UF13A Серия, UF12AR Серия, UF12A Серия, UF12AE Серия, UF12AM Серия, UF12BR Серия, UF12B Серия,</u>
	<u>UF92AM Серия, UF92A Серия, UF92B Серия, UF80A Серия, UF80B Серия, UF60D Серия,</u>

Product Application:

Features:

Multiple production choice along with various CFM and RPM spec, easy for customers to choose the AC axial fan model which fits their design most.

Product Application:

- Cooling fan for power switchboard.
- Cooling fan for electrical box
- Cooling fan for inverter
- Cooling fan for UPS
- Cooling fan for various industrial equipments.
- Cooling fan for electrical generator or motors
- Cooling fan for freezer or refrigerator
- Cooling fan for stage light

Описание, характеристики, :[File Download](#)

Frame/Housing: Aluminum die-casting

Impeller: Plastic PBT PC, nylon or metal

Bearing System:	Ball bearing or sleeve bearing
Motor:	Shaded pole or capacitor start-run
Connection:	Lead wire or termnal type
Protection:	Impedance-Protected or Thermally-Protected
Dielectric withstand voltage:	Above 100MΩ,DC 500V.
Life Expectancy:	Ball bearing:Over 40,000 hr.(at 40°C) Sleeve bearing:Over 15,000 hr.(at 40°C)

Safety Approval: CUL, CE, TUV, either UL or ETL





CONFORMS TO
ANSI/UL STD 507
CERTIFIED TO
CAN/CSA C22.2
STD No. 113

Маркировка
модели

UF	12	A	(R)	11	B	T	H	N
1	2	3	4	5	6	7	8	9

1.UF:

Fulltech

2.Size:

- 12:120x120mm
- 13:127x127mm
- 92:92x92mm
- 80:80x80mm
- 15:150x172mm
- 17:172x172mm
- 25:254x254mm
- 60:60x60mm
- 16:160x160mm
- 18:180x180mm
- 20:205x205mm
- 22:∅233mm

3.Thickness:

- A:38mm
- B:25mm
- D:30mm
- G:89mm
- K:55mm
- P:51mm
- F:62mm
- J:90mm
- H:107mm

4.Special Design:

- C:Capacitor Start-run
- R:Reverse Air
- M:Metal Impeller
- CR:Capacitor Induction Motor+ Reverse Air
- MR:Metal Impeller+ Reverse Air
- E:Without Frame
- A:3 Phases

5.Input Voltage:

- 11:115V
- 23:230V
- 10:100V
- 20:200V

6.Bearing:

- B:Ball
- S:Sleeve

7.Electrical Connection:

- T:Terminal Type
- W:Lead Wire

8.Speed

- H:High
- M:Medium
- L:Low

9.Feature

- N:Motor Sealed
- D:Stator Painted
- S:Tachometer Sensor Fan
- F:Class F

Product Size:

120mm UF12AR Серия, UF12A Серия, UF12AM Серия, UF12BR Серия, UF12B Серия,

127mm UF13A Серия,

160mm UF16FC Серия,

172*150mm UF15P Серия, UF15PC Серия, UF15KC Серия, UF15KCR Серия, UF15KM Серия, UF15KMR Серия, UF15AC
Серия, UF15A Серия,

180mm UF18JC Серия,

205mm UF20JC Серия,

60mm UF60D Серия,

80mm UF80A Серия,

92.5mm UF92AM Серия,

92mm UF92A Серия, UF92B Серия,

Ø112mm UF12AE Серия,

Ø136mm UF15KME Серия,

Ø139mm UF15KMRE Серия,

Ø144mm UF15PE Серия,

Ø172mm UF17P Серия, UF17PC Серия,

Ø216mm UF25GCE Серия,

Ø223mm UF22F Серия,

EC Fan

Описание, характеристики,

UFT12ABPB Серия, UFT15PBPB Серия, UFT60BVPB Серия, UFT200BMB Серия, UFT25GBPB

Серия,

Product Application:

Features:

Higher Efficiency and Better Energy Saving than AC fans. Also, with the protection of the electronic device, EC fan will be with longer life cycles.

Application:

- Cooling fan for Freezer or Refrigerator Equipment.
- Cooling fan for for Bakery Equipemnt.
- Cooling fan for Clean Room Equipment.
- Cooling fan for Solar System
- Cooling fan for Converter

Описание, характеристики, :[File Download](#)

Frame/Housing:	Aluminum die-casting
Impeller:	Plastic or steel
Bearing System:	Ball bearing
Motor:	Brushless DC motor
Protection:	Electronically-Protected
Insulation Resistance:	Above 10MΩ, DC500V
Dielectric withstand voltage	AC 1,500V (50/60Hz) one minute
Life Expectancy:	Ball bearing: Over 50,000 hr. (at 40°C)
Safety Approval:	CE .



Маркировка модели

UF	T12A	B	P	B	0A	M1	D	4	A
1	2	3	4	5	6	7	8	9	10

1.Model Серия, :

UF:Fulltech

2.Blade Diameter:

- Option 1). T
- T: EC Motor
- Option 2). Blank
- Option 2).
- 12A: Ø112*38mm
- 15P: Ø145*51mm
- 60B: Ø55*25mm
- 200: Ø200*76.1mm

3.Sort of Fan:

- A: Centrifugal Fan
- B: Axial Fan
- D: Blower Fan

4.Sort of Blade:

- A: Aluminum
- P: Plastic
- M: Welded Steel
- N: Pressed Steel

5.Air Check:

Centrifugal Fan

- A: Backward Curve, Single Air Intake.
- B: Forward Curve, Single Air Intake.
- C: Forward Curve, Dual Air Intake.
Axial Fan
- A: Air Discharge Out of Rotor Side
- B: Air Discharge Opposite Rotor Side
Blower Fan

- B: Forward Single Air Inlet
- C: Forward Dual Air Inlet

6.Voltage:

- 11: 115V
- 23: 230V
- 38: 380V
- 0A:115V-230V

7.Speed:

- H1: High
- M1: Medium
- L1: Low

8.Sort of Motor

- D: Single Phase EC Motor

9.Poles of Motor

- 4: 4P
- 6: 6P
- 8: 8P

10.Special Requirement

Axial Fan

- A: Standard with Frame
- E: Without Frame
- B: With Low Guard / No Frame
- C: With High Guard / No Frame

- D: With Guard & Duct Centrifugal Fan
- A: Standard
- F: With Mounting Disk

Product Size:

120mm UFT12ABPB Серия.

172*150mm UFT15PBPB Серия.

60mm UFT60BBPB Серия.

Ø250mm UFT200BMB Серия.

Ø254mm UFT25GBPB Серия.

Cross Flow Fan

UF9060 Серия, UF9446 Серия, UF9439 Серия, UF9029 Серия, UF6036 Серия, UF6030 Серия, UF6017 Серия.

Product Application:

Features: The specific design of the cross flow fan allows it to be installed on the flat wall or equipments perfectly.

Product Application:

- Cooling fan for elevator
- Cooling fan for air inlet door
- Cooling fan for electrical switchboard
- Cooling fan for power inverter
- Cooling fan for bag machine
- Cooling fan for bakery machinery

Описание, характеристики, : [File Download](#)

Frame:	Steel with black painting
Impeller:	Plastic & Aluminum
Bearing System:	Ball bearing or sleeve bearing
Motor:	Capacitor start-run or Shaded pole
Protection:	Impedance-Protected or Thermally-Protected
Insulation Resistance:	Above 100MΩ,DC 500V.
Dielectric Withstand Voltage	AC1, 500V (50/60Hz) one minute
Safety Approval:	CE, TUV. (UF9029 has UL, CUL approval)



Маркировка
модели

UF	90	29	C	B	P	12	H	L
1	2	3	4	5	6	7	8	9

1.UF:

Fulltech

2.Diameter of Roller :

- 90:Ø90mm
- 60:Ø60mm
- 94:Ø94mm

3.Length of Roller:

- 17:170mm
- 30:300mm
- 36:360mm
- 35:350mm
- 60:600mm

4.Type of Motor:

- C: Capacitor Induction
- S: Shaded Pole

5.Bearing:

- B: Ball
- S: Sleeve

6.BMaterial of Roller:

- P: Plastic
- A: Aluminum

7.Input Voltage

- 12:120V
- 23:230V

8.Speed

- H: High
- M: Medium
- L: Low

9.Position of Motord

- L: Left
- R: Right

Product Size:

UF6036 Серия, UF6030 Серия, UF6017 Серия,

г.Минск www.fotorele.net www.tiristor.by email minsk17@tut.by тел.+375447584780

External Rotor Axial Fan

UF300BNA Серия, UF250BMB Серия, UF250BMB-E Серия, UF250BMB-B Серия, UF250BMA Серия, UF200BMB Серия, UF200BMB-E Серия, UF200BMB-B Серия, UF200BMA Серия, UF180BAB Серия,

Product Application:

Features: The external rotor fan is with higher CFM and faster RPM than traditional AC fan. The metal blades design fits better for the industrial application.

Product Application:

- Cooling fan for power switchboard
- Cooling fan for electrical box
- Cooling fan for power inverter
- Cooling fan for UPS
- Cooling fan for Solar System
- Cooling fan for vending machine
- Cooling fan for cleaning room equipments

Описание, характеристики, :[File Download](#)

Frame/Housing: Aluminum die-casting

Impeller: Plastic or steel

Bearing System: Ball bearing

Motor: Shaded pole or capacitor start-run

Protection: Impedance-Protected or Thermally-Protected or Electronically-Protected

Insulation Resistance: Above 100MΩ, DC500V.

Dielectric withstand voltage: AC 1,500V (50/60Hz) one minute

Life Expectancy: Ball bearing: Over 40,000 hr. (at 40°C)

Safety Approval: CUL, CE, TUV, either UL or ETL.



- 12A: Ø112*38mm

- 15P: Ø145*51mm

3.Sort of Fan:

- A: Centrifugal Fan

- B: Axial Fan

- D: Blower Fan

4.Sort of Blade:

- A: Aluminum

- P: Plastic

- M: Welded Steel

- N: Pressed Steel

5.Air Check:

Centrifugal Fan

- A: Backward Curve, Single Air Intake.

- B: Forward Curve, Single Air Intake.

- C: Forward Curve, Dual Air Intake.
Axial Fan

- A: Air Discharge Out of Rotor Side

- B: Air Discharge Opposite Rotor Side
Blower Fan

- B: Forward Single Air Inlet

- C: Forward Dual Air Inlet

6.Voltage:

- 11: 115V

- 23: 230V

- 38: 380V

- OA:115V-230V

7.Speed:

- H1: High

- M1: Medium

- L1: Low

8.Sort of Motor

- A: 3 Phases

- S: Shaded Pole

- C: Capacitor Run Motor

- D: Single Phase EC Motor

9.Poles of Motor

- 2: 2P

- 4: 4P

- 6: 6P

10.Special Requirement

Axial Fan

- A: Standard with Frame

- E: Without Frame

- B: With Low Guard / No Frame

- C: With High Guard / No Frame

- D: With Guard & Duct
Centrifugal Fan

- A: Standard

- F: With Mounting Disk

Product Size:

[UF200BMB Серия, UF200BMA Серия.](#)

[UF250BMB Серия, UF250BMA Серия.](#)

[UF180BAB Серия.](#)

[UF200BMB-E Серия.](#)

[UF200BMB-B Серия.](#)

[UF250BMB-E Серия.](#)

[UF250BMB-B Серия.](#)

Duct Fan

DF200P Серия, DF150P Серия,

Product Application:

Features: Duct fan is an application of the axial fan. The air flow will be more focus by adding the windshield.

Product Application:

- Cooling fan for ventilation system
- Ventilation fan for malls
- Ventilation fan for tunnel working environment
- Ventilation fan for house

Описание, характеристики, : [File Download](#)

Frame/Housing:	Plastic
Impeller:	Plastic
Bearing System:	Ball bearing
Motor:	Capacitor run motor
Connection:	Lead wire or termnal type
Protection:	Thermally-Protected
Insulation Resistance:	Above 100MΩ,DC 500V.
Life Expectancy:	Over 40,000 hrs.(at 40°C)
Safety Approval:	CE



Маркировка модели

DF	150	P	23	B	W	H/L
1	2	3	4	5	6	7

1.Model Серия, :

DF: DUCT FAN

2.Blade Diameter:

- 150:Ø 150mm
- 200:Ø 200mm

3.Material of Frame:

- P: Plastic

4.Voltage:

- 11:115V
- 23:230V

5.Bearing :

- B:Ball
- S:Sleeve

6.Electrical Connection:

- T:Terminal Type

- W:Lead Wire
7.Speed:
- H/L: Dual Speed (Standard)

Product Size:

DF150P Серия,

DF200P Серия,

Roof Fan

RF190APA Серия,

Product Application:

Features: Fulltech Duct Fan motor is same as centrifugal fan which fits the need for ventilation system in house

Product Application:

- Duct ventilation fan for house
- Duct ventilation fan for mall

Описание, характеристики, : [File Download](#)

Frame/Housing:	Plastic
Impeller:	Plastic
Bearing System:	Ball bearing
Motor:	Capacitor run motor
Protection:	Thermally-Protected
Insulation Resistance:	Above 100MΩ, DC500V.
Life Expectancy:	AC 1,500V (50/60Hz) one minute
Safety Approval:	CE



Маркировка модели

RF	190	A	P	A	11	H1	C	2	A
1	2	3	4	5	6	7	8	9	10

1.Model of Серия, :

RF: ROOF FAN

2.Blade Diameter:

190: Ø190mm

3.Sort of Fan:

A: Centrifugal Fan

4.Sort of Blade:

P: Plastic

5.Air Direction:

- A: Backward Curve
- Single Air Intake

6.Voltage:

- 11: 115V
- 23: 230V

7.Speed:

- H1: High

8.Sort of Motor:

- C: Capacitor Run Motor

9.Poles of Motor

- 2: 2P

10.Special Requirement

- A: Standard

Product Size:

RF190APA Серия,

Centrifugal Fan

UF400AAA Серия, UF360AAA Серия, UF318AAA Серия, UF250APA Серия, UF250APA-F Серия, UF225(99)APA Серия, UF225(99)APA-F Серия, UF225(85)APA Серия, UF225(69)APA Серия, UF220APA Серия, UF220APA-F Серия, UF190APA Серия, UF190APA-F Серия, UF175AMA Серия, UF180APA Серия, UF180(55)APA Серия, UF133(91)APA Серия, UF133(72)APA Серия.

Product Application:

Features: The special design on the inlet and outlet of the centrifugal fan are suitable for the customers with the special requirement on their industrial machine.

Product Application:

- Cooling fan for electrical box
- Cooling fan for UPS
- Cooling fan for heat exchanging machine
- Cooling fan for CNC machinery
- Cooling fan for air purifier
- Cooling fan for dehumidifier
- Cooling fan for solar system equipment

Описание, характеристики, :[File Download](#)

Frame/Housing: Aluminum die-casting

Impeller: Plastic or steel

Bearing System: Ball bearing

Motor: Shaded pole or capacitor start-run

Protection: Impedance-Protected or Thermally-Protected or Electronically-Protected

Insulation Resistance: Above 100MΩ, DC500V.

Dielectric withstand voltage AC 1,500V (50/60Hz) one minute

Life Expectancy: Ball bearing: Over 40,000 hr. (at 40°C)

Safety CUL, CE, TUV, either UL or ETL.

Approval:



CONFORMS TO
ANSI/UL STD 507
CERTIFIED TO
CAN/CSA C22.2
STD No. 113

Маркировка UF220APA11H1C2A
модели 1 2 3 4 5 6 7 8 9 10

1. Model Серия, :

UF: Fulltech

2. Blade Diameter:

- Option 1). E
- E: EC Motor
- Option 2). Blank
- 133(72):133mm(72mm Thick)
- 133(91):133mm(91mm Thick)
- 175: 175mm

- 180: 180mm
- 180(55):180mm(55mm Thick)
- 190: 190mm
- 220: 220mm
- 225(99):225mm(99mm Thick)
- 225(85):225mm(85mm Thick)
- 225(69):225mm(69mm Thick)
- 250: 250mm
- 318: 318mm
- 300: 300mm
- 360: 360mm
- 400: 400mm

3.Sort of Fan:

- A: Centrifugal Fan
- B: Axial Fan
- D: Blower Fan

4.Sort of Blade:

- A: Aluminum
- P: Plastic
- M: Welded Steel
- N: Pressed Steel

5.Air Check:

Centrifugal Fan

- A: Backward Curve, Single Air Intake.
- B: Forward Curve, Single Air Intake.
- C: Forward Curve, Dual Air Intake.
Axial Fan
- A: Air Discharge Out of Rotor Side
- B: Air Discharge Opposite Rotor Side
Blower Fan
- B: Forward Single Air Inlet
- C: Forward Dual Air Inlet

6.Voltage:

- 11: 115V
- 23: 230V
- 38: 380V
- OA:115V-230V

7.Speed:

- H1: High
- M1: Medium
- L1: Low

8.Sort of Motor

- A: 3 Phases
- S: Shaded Pole
- C: Capacitor Run Motor
- D: Single Phase EC Motor

9.Poles of Motor

- 2: 2P
- 4: 4P
- 6: 6P

10.Special Requirement

Axial Fan

- A: Standard with Frame
- E: Without Frame
- B: With Low Guard / No Frame
- C: With High Guard / No Frame
- D: With Guard & Duct
Centrifugal Fan
- A: Standard
- F: With Mounting Disk

Product Size:

UF133(91)APA Серия, UF133(72)APA Серия,

UF175AMA Серия,

UF180APA Серия, UF180(55)APA Серия,

UF190APA Серия,

UF220APA Серия,

UF225(99)APA Серия, UF225(85)APA Серия, UF225(69)APA Серия,

UF190APA-F Серия,

UF250APA Серия,

UF250APA-F Серия, UF225(99)APA-F Серия, UF220APA-F Серия,

UF318AAA Серия,

UF360AAA Серия,

UF400AAA Серия,

Blower Fan

UF160DPB Серия, UF90DPB Серия,

Product Application:

Features: Fulltech's blowers are with the same motor design as centrifugal fan, the blowing direction will be more corcus and stronger.
Product Application:

- Cooling fan for electrical box
- Cooling fan for ventilation system
- Cooling fan for ventilation in tunnel working environment
- Cooling fan for ventilation in house

Описание, характеристики, : [File Download](#)

Frame/Housing: Aluminum die-casting

Impeller: Plastic or steel

Bearing System: Ball bearing

Motor: Shaded pole or capacitor start-run

Protection: Impedance-Protected or Thermally-Protected or Electronically-Protected

Insulation Resistance: Above 100MΩ, DC500V.

Dielectric withstand voltage AC 1,500V (50/60Hz) one minute

Life Expectancy: Ball bearing: Over 40,000 hr. (at 40°C)

Safety Approval: CUL, CE, TUV, either UL or ETL.

RU[®]
E136370

C **RU**[®] **US**
E136370

CE



CONFORMS TO
ANSI/UL STD 507
CERTIFIED TO
CAN/CSA C22.2
STD No. 113

Маркировка UF220APA11H1C2A
модели 1 2 3 4 5 6 7 8 9 10

1. Model Серия, :

UF: Fulltech

2. Blade Diameter:

- Option 1). E
- E: EC Motor
- Option 2). Blank
- 133(72):133mm(72mm Thick)
- 133(91):133mm(91mm Thick)
- 175: 175mm

- 180: 180mm
- 180(55):180mm(55mm Thick)
- 190: 190mm
- 220: 220mm
- 225(99):225mm(99mm Thick)
- 225(85):225mm(85mm Thick)
- 225(69):225mm(69mm Thick)
- 250: 250mm
- 318: 318mm
- 300: 300mm
- 360: 360mm
- 400: 400mm
- 12A: Ø112*38mm
- 15P: Ø145*51mm

3.Sort of Fan:

- A: Centrifugal Fan
- B: Axial Fan
- D: Blower Fan

4.Sort of Blade:

- A: Aluminum
- P: Plastic
- M: Welded Steel
- N: Pressed Steel

5.Air Check:

Centrifugal Fan

- A: Backward Curve, Single Air Intake.
- B: Forward Curve, Single Air Intake.
- C: Forward Curve, Dual Air Intake.
Axial Fan
- A: Air Discharge Out of Rotor Side
- B: Air Discharge Opposite Rotor Side
Blower Fan
- B: Forward Single Air Inlet
- C: Forward Dual Air Inlet

6.Voltage:

- 11: 115V
- 23: 230V
- 38: 380V
- OA:115V-230V

7.Speed:

- H1: High
- M1: Medium
- L1: Low

8.Sort of Motor

- A: 3 Phases
- S: Shaded Pole
- C: Capacitor Run Motor
- D: Single Phase EC Motor

9.Poles of Motor

- 2: 2P
- 4: 4P
- 6: 6P

10.Special Requirement

Axial Fan

- A: Standard with Frame
- E: Without Frame
- B: With Low Guard / No Frame
- C: With High Guard / No Frame
- D: With Guard & Duct
Centrifugal Fan
- A: Standard
- F: With Mounting Disk

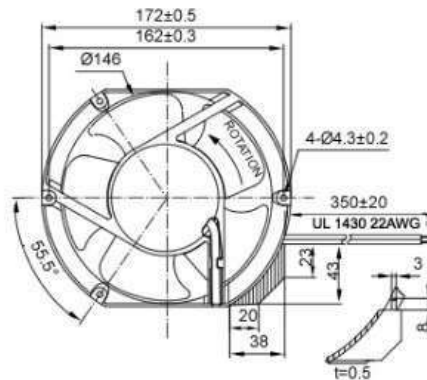
Product Size:

г.Минск www.fotorele.net www.tiristor.by email minsk17@tut.by тел.+375447584780

UF15PC Серия,



Thermally-Protected



Terminal or Lead Wire Type

Model	UF15PC10-H
Rated Voltage	110 V
Frequency	50/60 Hz
Input Power	30/30 W
Rated Current	0.33/0.29 A
Locked Current	0.5/0.52 A
Speed	2850/3400 RPM
Maximum Air Flow	5.8/6.4 m ³ /min.
Maximum Air Flow	205/226 CFM
Maximum Pressure	16/20 mmH ₂ O
Maximum Pressure	0.63/0.79 InchH ₂ O
Noise	53/58 dB
Weights	0.8 kg

Model	UF15PC11-H
Rated Voltage	115 V
Frequency	50/60 Hz
Input Power	31/31 W
Rated Current	0.26/0.25 A

Model	UF15PC11-H
Locked Current	0.41/0.43 A
Speed	2850/3400 RPM
Maximum Air Flow	5.8/6.4 m/min.
Maximum Air Flow	205/226 CFM
Maximum Pressure	16/20 mmH2O
Maximum Pressure	0.63/0.79 InchH2O
Noise	53/58 dB
Weights	0.8 kg

Model	UF15PC11-L
Rated Voltage	115 V
Frequency	50/60 Hz
Input Power	31/31 W
Rated Current	0.17/0.15 A
Locked Current	0.21/0.2 A
Speed	1400/1700 RPM
Maximum Air Flow	2.5/3 m/min.
Maximum Air Flow	88/106 CFM
Maximum Pressure	3.8/5.5 mmH2O
Maximum Pressure	0.15/0.22 InchH2O
Noise	31/37 dB
Weights	0.8 kg

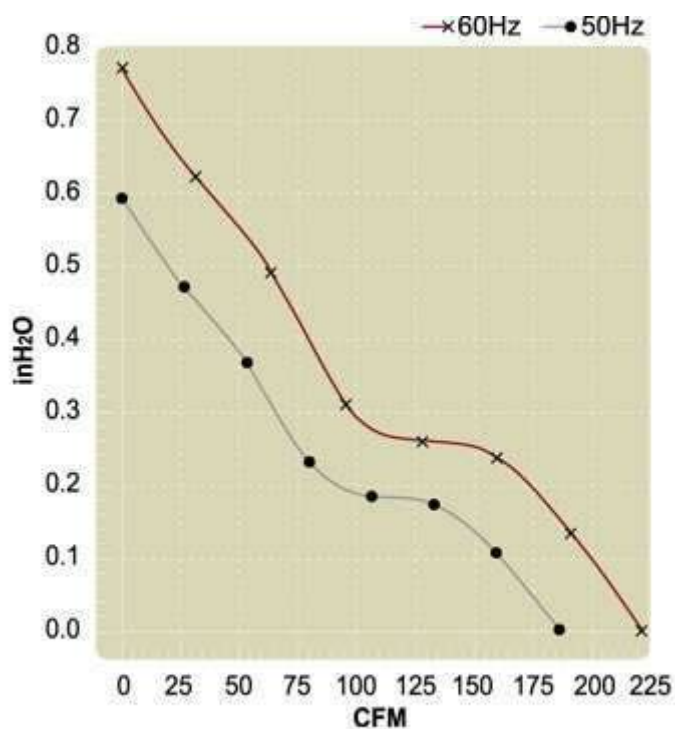
Model	UF15PC20-H
Rated Voltage	200 V
Frequency	50/60 Hz
Input Power	29/29 W
Rated Current	0.15/0.14 A

Model	UF15PC20-H
Locked Current	0.23/0.25 A
Speed	2850/3400 RPM
Maximum Air Flow	5.8/6.4 m ³ /min.
Maximum Air Flow	205/226 CFM
Maximum Pressure	16/20 mmH ₂ O
Maximum Pressure	0.63/0.79 InchH ₂ O
Noise	53/58 dB
Weights	0.8 kg

Model	UF15PC23-H
Rated Voltage	230 V
Frequency	50/60 Hz
Input Power	29/29 W
Rated Current	0.12/0.12 A
Locked Current	0.19/0.19 A
Speed	2850/3400 RPM
Maximum Air Flow	5.8/6.4 m ³ /min.
Maximum Air Flow	205/226 CFM
Maximum Pressure	16/20 mmH ₂ O
Maximum Pressure	0.63/0.79 InchH ₂ O
Noise	53/58 dB
Weights	0.8 kg

Model	UF15PC23-L
Rated Voltage	230 V
Frequency	50/60 Hz
Input Power	29/29 W
Rated Current	0.08/0.07 A

Model	UF15PC23-L
Locked Current	0.09/0.09 A
Speed	1400/1700 RPM
Maximum Air Flow	2.5/3 m ³ /min.
Maximum Air Flow	88/106 CFM
Maximum Pressure	3.8/5.5 mmH ₂ O
Maximum Pressure	0.15/0.22 InchH ₂ O
Noise	31/37 dB
Weights	0.8 kg



Safety Approval :



RU[®]
E136370

CE



[каталог](#)

[как купить в Минске Беларусь](#)

Вентилятор FULLTECH UF15A23BTH
Вентилятор: AC; осевой; 230В, 230vac, 220vac

fulltech fe 5w30 , fulltech uf-15pc23-bth , fulltech electric
fulltech uf-15pc23 , full tech , fulltech uf12a23
fulltech uf-12a02 , fulltech uf-80a23 bth

 EC Fan	 Axial Fan	 Cross Flow Fan
 External Rotor Axial Fan	 Duct Fan	 Roof Fan
 Accessories		 Accessories

Беларусь
Минск
www.fotorele.net
www.tiristor.by
email: minsk17@tut.by
tel. +375447584780

QR код



UF15KMRE Series

Home (index.aspx?language=en-US) / All Products (allproducts.aspx?language=en-US)
 / Axial Fan (productGeneralData.aspx?language=en-US&tid=AC) / UF15KMRE Series

Axial Fan

General Data
 (productGeneralData.aspx?language=en-US&tid=AC)

UF25GCB Series (product.aspx?language=en-US&sid=UF25GCB&tid=AC)

UF25HC Series (product.aspx?language=en-US&sid=UF25HC&tid=AC)

UF25GCA Series (product.aspx?language=en-US&sid=UF25GCA&tid=AC)

UF25GC Series (product.aspx?language=en-US&sid=UF25GC&tid=AC)

UF25GCE Series (product.aspx?language=en-US&sid=UF25GCE&tid=AC)

UF22F Series (product.aspx?language=en-US&sid=UF22F&tid=AC)

UF20JC Series (product.aspx?language=en-US&sid=UF20JC&tid=AC)

UF18JC Series (product.aspx?language=en-US&sid=UF18JC&tid=AC)

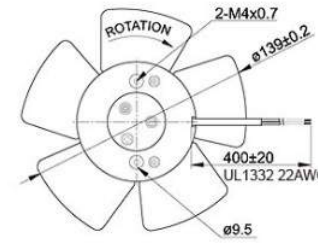
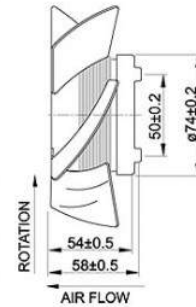
UF17P Series (product.aspx?language=en-US&sid=UF17P&tid=AC)

UF17PC Series (product.aspx?language=en-US&sid=UF17PC&tid=AC)

UF15KMRE Series (contactus.aspx?language=en-US&sid=UF15KMRE&tid=AC)



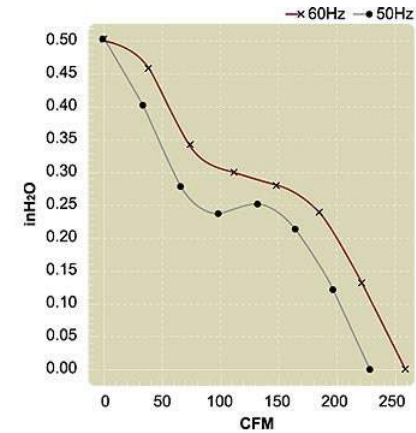
Thermally-Protected



Lead Wire Type

Model	UF15KMRE11-H
Rated Voltage	115 V
Frequency	50/60 Hz
Input Power	45/45 W
Rated Current	0.54/0.51 A
Locked Current	0.9/0.8 A
Speed	2750/3150 RPM
Maximum Air Flow	6.4/7.2 m ³ /min.
Maximum Air Flow	225/255 CFM
Maximum Pressure	12.5/12.5 mmH ₂ O
Maximum Pressure	0.5/0.5 InchH ₂ O
Noise	54/57 dB
Weights	0.85 kg

Model	UF15KMRE23-H
Rated Voltage	230 V



UF16FC Series (product.aspx?language=en-US&sid=UF16FC&tid=AC)
UF15P Series (product.aspx?language=en-US&sid=UF15P&tid=AC)
UF15PC Series (product.aspx?language=en-US&sid=UF15PC&tid=AC)
UF15PE Series (product.aspx?language=en-US&sid=UF15PE&tid=AC)
UF15KC Series (product.aspx?language=en-US&sid=UF15KC&tid=AC)
UF15KCR Series (product.aspx?language=en-US&sid=UF15KCR&tid=AC)
UF15KM Series (product.aspx?language=en-US&sid=UF15KM&tid=AC)
UF15KMR Series (product.aspx?language=en-US&sid=UF15KMR&tid=AC)
UF15KME Series (product.aspx?language=en-US&sid=UF15KME&tid=AC)
UF15KMRE Series (product.aspx?language=en-US&sid=UF15KMRE&tid=AC)
UF15AC Series (product.aspx?language=en-US&sid=UF15AC&tid=AC)
UF15A Series (product.aspx?language=en-US&sid=UF15A&tid=AC)
UF13A Series (product.aspx?language=en-US&sid=UF13A&tid=AC)
UF12AR Series (product.aspx?language=en-US&sid=UF12AR&tid=AC)

Model	UF15KMRE23-H
Frequency	50/60 Hz
Input Power	45/45 W
Rated Current	0.27/0.25 A
Locked Current	0.44/0.38 A
Speed	2750/3150 RPM
Maximum Air Flow	6.4/7.2 m ³ /min.
Maximum Air Flow	225/255 CFM
Maximum Pressure	12.5/12.5 mmH2O
Maximum Pressure	0.5/0.5 InchH2O
Noise	54/57 dB
Weights	0.85 kg

Safety Approval :



[Inquiry \(contactus.aspx?language=en-US&sid=UF15KMRE&tid=AC\)](contactus.aspx?language=en-US&sid=UF15KMRE&tid=AC)

US&sid=UF12AR&tid=AC)
UF12A Series (product.aspx? language=en-US&sid=UF12A&tid=AC)
UF12AE Series (product.aspx? language=en-US&sid=UF12AE&tid=AC)
UF12AM Series (product.aspx? language=en-US&sid=UF12AM&tid=AC)
UF12BR Series (product.aspx? language=en-US&sid=UF12BR&tid=AC)
UF12B Series (product.aspx? language=en-US&sid=UF12B&tid=AC)
UF92AM Series (product.aspx? language=en-US&sid=UF92AM&tid=AC)
UF92A Series (product.aspx? language=en-US&sid=UF92A&tid=AC)
UF92B Series (product.aspx? language=en-US&sid=UF92B&tid=AC)
UF80A Series (product.aspx? language=en-US&sid=UF80A&tid=AC)
UF80B Series (product.aspx? language=en-US&sid=UF80B&tid=AC)
UF60D Series (product.aspx? language=en-US&sid=UF60D&tid=AC)



UF15KME Series

Home (index.aspx?language=en-US) / All Products (allproducts.aspx?language=en-US)
 / Axial Fan (productGeneralData.aspx?language=en-US&tid=AC) / UF15KME Series

Axial Fan

General Data
 (productGeneralData.aspx?language=en-US&tid=AC)

UF25GCB Series (product.aspx?language=en-US&sid=UF25GCB&tid=AC)

UF25HC Series (product.aspx?language=en-US&sid=UF25HC&tid=AC)

UF25GCA Series (product.aspx?language=en-US&sid=UF25GCA&tid=AC)

UF25GC Series (product.aspx?language=en-US&sid=UF25GC&tid=AC)

UF25GCE Series (product.aspx?language=en-US&sid=UF25GCE&tid=AC)

UF22F Series (product.aspx?language=en-US&sid=UF22F&tid=AC)

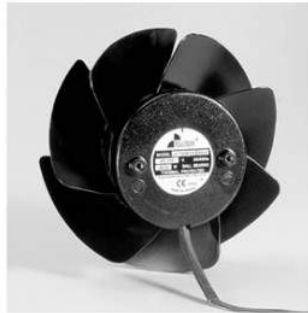
UF20JC Series (product.aspx?language=en-US&sid=UF20JC&tid=AC)

UF18JC Series (product.aspx?language=en-US&sid=UF18JC&tid=AC)

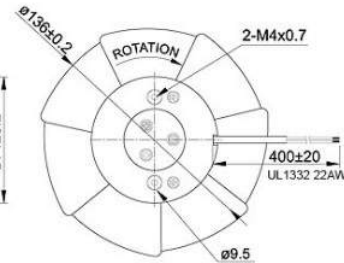
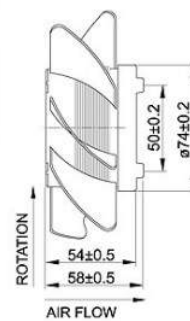
UF17P Series (product.aspx?language=en-US&sid=UF17P&tid=AC)

UF17PC Series (product.aspx?language=en-US&sid=UF17PC&tid=AC)

UF15KME Series (contactus.aspx?language=en-US&sid=UF15KME&tid=AC)



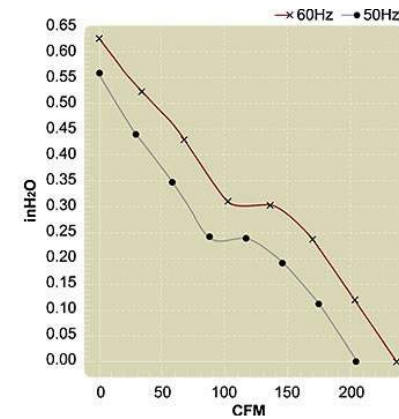
Thermally-Protected



Lead Wire Type

Model	UF15KME11-H
Rated Voltage	115 V
Frequency	50/60 Hz
Input Power	42/42 W
Rated Current	0.51/0.46 A
Locked Current	0.87/0.74 A
Speed	2800/3250 RPM
Maximum Air Flow	5.5/6.5 m ³ /min.
Maximum Air Flow	195/230 CFM
Maximum Pressure	14/16 mmH ₂ O
Maximum Pressure	0.55/0.63 InchH ₂ O
Noise	45/50 dB
Weights	0.91 kg

Model	UF15KME23-H
Rated Voltage	230 V



UF16FC Series (product.aspx?language=en-US&sid=UF16FC&tid=AC)
UF15P Series (product.aspx?language=en-US&sid=UF15P&tid=AC)
UF15PC Series (product.aspx?language=en-US&sid=UF15PC&tid=AC)
UF15PE Series (product.aspx?language=en-US&sid=UF15PE&tid=AC)
UF15KC Series (product.aspx?language=en-US&sid=UF15KC&tid=AC)
UF15KCR Series (product.aspx?language=en-US&sid=UF15KCR&tid=AC)
UF15KM Series (product.aspx?language=en-US&sid=UF15KM&tid=AC)
UF15KMR Series (product.aspx?language=en-US&sid=UF15KMR&tid=AC)
UF15KME Series (product.aspx?language=en-US&sid=UF15KME&tid=AC)
UF15KMRE Series (product.aspx?language=en-US&sid=UF15KMRE&tid=AC)
UF15AC Series (product.aspx?language=en-US&sid=UF15AC&tid=AC)
UF15A Series (product.aspx?language=en-US&sid=UF15A&tid=AC)
UF13A Series (product.aspx?language=en-US&sid=UF13A&tid=AC)
UF12AR Series (product.aspx?language=en-US&sid=UF12AR&tid=AC)

Model	UF15KME23-H
Frequency	50/60 Hz
Input Power	42/42 W
Rated Current	0.25/0.23 A
Locked Current	0.43/0.37 A
Speed	2800/3250 RPM
Maximum Air Flow	5.5/6.5 m ³ /min.
Maximum Air Flow	195/230 CFM
Maximum Pressure	14/16 mmH2O
Maximum Pressure	0.55/0.63 InchH2O
Noise	45/50 dB
Weights	0.91 kg

Safety Approval :



[Inquiry \(contactus.aspx?language=en-US&sid=UF15KME&tid=AC\)](contactus.aspx?language=en-US&sid=UF15KME&tid=AC)

US&sid=UF12AR&tid=AC)
UF12A Series (product.aspx? language=en-US&sid=UF12A&tid=AC)
UF12AE Series (product.aspx? language=en-US&sid=UF12AE&tid=AC)
UF12AM Series (product.aspx? language=en-US&sid=UF12AM&tid=AC)
UF12BR Series (product.aspx? language=en-US&sid=UF12BR&tid=AC)
UF12B Series (product.aspx? language=en-US&sid=UF12B&tid=AC)
UF92AM Series (product.aspx? language=en-US&sid=UF92AM&tid=AC)
UF92A Series (product.aspx? language=en-US&sid=UF92A&tid=AC)
UF92B Series (product.aspx? language=en-US&sid=UF92B&tid=AC)
UF80A Series (product.aspx? language=en-US&sid=UF80A&tid=AC)
UF80B Series (product.aspx? language=en-US&sid=UF80B&tid=AC)
UF60D Series (product.aspx? language=en-US&sid=UF60D&tid=AC)



UF15KMR Series

Home ([index.aspx?language=en-US](#)) / All Products ([allproducts.aspx?language=en-US](#)) / Axial Fan ([productGeneralData.aspx?language=en-US&tid=AC](#)) / UF15KMR Series

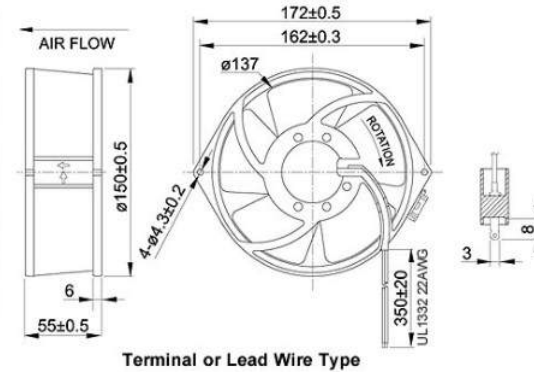
Axial Fan

General Data (productGeneralData.aspx?language=en-US&tid=AC)
UF25GCB Series (product.aspx?language=en-US&sid=UF25GCB&tid=AC)
UF25HC Series (product.aspx?language=en-US&sid=UF25HC&tid=AC)
UF25GCA Series (product.aspx?language=en-US&sid=UF25GCA&tid=AC)
UF25GC Series (product.aspx?language=en-US&sid=UF25GC&tid=AC)
UF25GCE Series (product.aspx?language=en-US&sid=UF25GCE&tid=AC)
UF22F Series (product.aspx?language=en-US&sid=UF22F&tid=AC)
UF20JC Series (product.aspx?language=en-US&sid=UF20JC&tid=AC)
UF18JC Series (product.aspx?language=en-US&sid=UF18JC&tid=AC)
UF17P Series (product.aspx?language=en-US&sid=UF17P&tid=AC)
UF17PC Series (product.aspx?language=en-US&sid=UF17PC&tid=AC)

UF15KMR Series ([contactus.aspx?language=en-US&sid=UF15KMR&tid=AC](#))

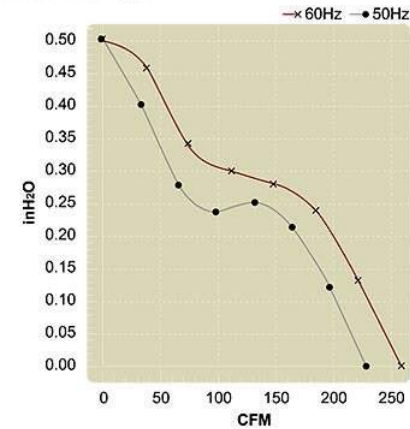


Thermally-Protected



Model	UF15KMR10-H
Rated Voltage	110 V
Frequency	50/60 Hz
Input Power	43/43 W
Rated Current	0.6/0.57 A
Locked Current	1.03/0.86 A
Speed	2750/3150 RPM
Maximum Air Flow	6.4/7.2 m ³ /min.
Maximum Air Flow	225/255 CFM
Maximum Pressure	12.5/12.5 mmH ₂ O
Maximum Pressure	0.5/0.5 InchH ₂ O
Noise	58/61 dB
Weights	1.1 kg

Model	UF15KMR11-H
Rated Voltage	115 V



UF16FC Series (product.aspx? language=en-US&sid=UF16FC&tid=AC)
UF15P Series (product.aspx? language=en-US&sid=UF15P&tid=AC)
UF15PC Series (product.aspx? language=en-US&sid=UF15PC&tid=AC)
UF15PE Series (product.aspx? language=en-US&sid=UF15PE&tid=AC)
UF15KC Series (product.aspx? language=en-US&sid=UF15KC&tid=AC)
UF15KCR Series (product.aspx? language=en-US&sid=UF15KCR&tid=AC)
UF15KM Series (product.aspx? language=en-US&sid=UF15KM&tid=AC)
UF15KMR Series (product.aspx? language=en-US&sid=UF15KMR&tid=AC)
UF15KME Series (product.aspx? language=en-US&sid=UF15KME&tid=AC)
UF15KMRE Series (product.aspx? language=en-US&sid=UF15KMRE&tid=AC)
UF15AC Series (product.aspx? language=en-US&sid=UF15AC&tid=AC)
UF15A Series (product.aspx? language=en-US&sid=UF15A&tid=AC)
UF13A Series (product.aspx? language=en-US&sid=UF13A&tid=AC)
UF12AR Series (product.aspx? language=en-

Model	UF15KMR11-H
Frequency	50/60 Hz
Input Power	45/45 W
Rated Current	0.54/0.51 A
Locked Current	0.9/0.8 A
Speed	2750/3150 RPM
Maximum Air Flow	6.4/7.2 m ³ /min.
Maximum Air Flow	225/255 CFM
Maximum Pressure	12.5/12.5 mmH2O
Maximum Pressure	0.5/0.5 InchH2O
Noise	58/61 dB
Weights	1.1 kg

Model	UF15KMR20-H
Rated Voltage	200 V
Frequency	60 Hz
Input Power	43 W
Rated Current	0.28 A
Locked Current	0.43 A
Speed	3150 RPM
Maximum Air Flow	7.2 m ³ /min.
Maximum Air Flow	255 CFM
Maximum Pressure	12.5 mmH2O
Maximum Pressure	0.5 InchH2O
Noise	61 dB
Weights	1.1 kg

Model	UF15KMR23-H
Rated Voltage	230 V
Frequency	50/50/60 Hz
Input Power	43/45/45 W
Rated Current	0.3/0.27/0.25 A

US&sid=UF12AR&tid=AC)
UF12A Series (product.aspx? language=en-US&sid=UF12A&tid=AC)
UF12AE Series (product.aspx? language=en-US&sid=UF12AE&tid=AC)
UF12AM Series (product.aspx? language=en-US&sid=UF12AM&tid=AC)
UF12BR Series (product.aspx? language=en-US&sid=UF12BR&tid=AC)
UF12B Series (product.aspx? language=en-US&sid=UF12B&tid=AC)
UF92AM Series (product.aspx? language=en-US&sid=UF92AM&tid=AC)
UF92A Series (product.aspx? language=en-US&sid=UF92A&tid=AC)
UF92B Series (product.aspx? language=en-US&sid=UF92B&tid=AC)
UF80A Series (product.aspx? language=en-US&sid=UF80A&tid=AC)
UF80B Series (product.aspx? language=en-US&sid=UF80B&tid=AC)
UF60D Series (product.aspx? language=en-US&sid=UF60D&tid=AC)

Model	UF15KMR23-H
Locked Current	0.5/0.44/0.38 A
Speed	2750/2750/3150 RPM
Maximum Air Flow	6.4/6.4/7.2 m ³ /min.
Maximum Air Flow	225/225/255 CFM
Maximum Pressure	12.5/12.5/12.5 mmH2O
Maximum Pressure	0.5/0.5/0.5 InchH2O
Noise	58/58/61 dB
Weights	1.1 kg

Safety Approval :



[Inquiry \(contactus.aspx?language=en-US&sid=UF15KMR&tid=AC\)](mailto:contactus.aspx?language=en-US&sid=UF15KMR&tid=AC)



UF15KM Series

Home (index.aspx?language=en-US) / All Products (allproducts.aspx?language=en-US)
 / Axial Fan (productGeneralData.aspx?language=en-US&tid=AC) / UF15KM Series

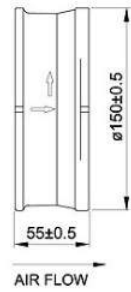
Axial Fan

General Data (productGeneralData.aspx?language=en-US&tid=AC)
UF25GCB Series (product.aspx?language=en-US&sid=UF25GCB&tid=AC)
UF25HC Series (product.aspx?language=en-US&sid=UF25HC&tid=AC)
UF25GCA Series (product.aspx?language=en-US&sid=UF25GCA&tid=AC)
UF25GC Series (product.aspx?language=en-US&sid=UF25GC&tid=AC)
UF25GCE Series (product.aspx?language=en-US&sid=UF25GCE&tid=AC)
UF22F Series (product.aspx?language=en-US&sid=UF22F&tid=AC)
UF20JC Series (product.aspx?language=en-US&sid=UF20JC&tid=AC)
UF18JC Series (product.aspx?language=en-US&sid=UF18JC&tid=AC)
UF17P Series (product.aspx?language=en-US&sid=UF17P&tid=AC)
UF17PC Series (product.aspx?language=en-US&sid=UF17PC&tid=AC)

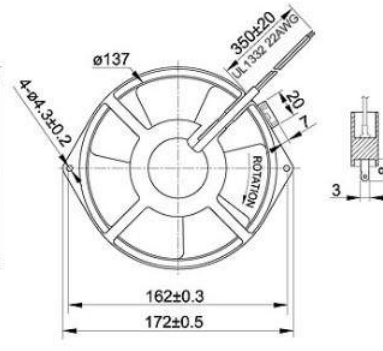
UF15KM Series (contactus.aspx?language=en-US&sid=UF15KM&tid=AC)



Thermally-Protected



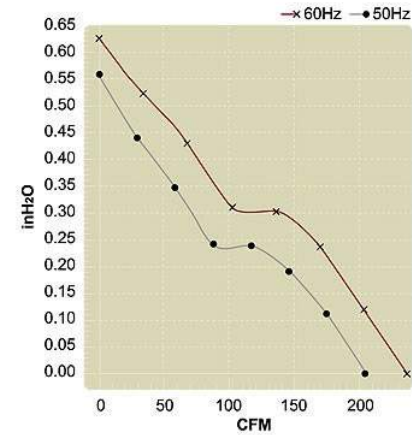
AIR FLOW



Terminal or Lead Wire Type

Model	UF15KM10-H
Rated Voltage	110 V
Frequency	50/60 Hz
Input Power	40/38 W
Rated Current	0.58/0.5 A
Locked Current	1.03/0.89 A
Speed	2800/3250 RPM
Maximum Air Flow	5.5/6.5 m ³ /min.
Maximum Air Flow	195/230 CFM
Maximum Pressure	14/16 mmH ₂ O
Maximum Pressure	0.55/0.63 InchH ₂ O
Noise	49/53 dB
Weights	1.1 kg

Model	UF15KM11-H
Rated Voltage	115 V



UF16FC Series (product.aspx? language=en-US&sid=UF16FC&tid=AC)
UF15P Series (product.aspx? language=en-US&sid=UF15P&tid=AC)
UF15PC Series (product.aspx? language=en-US&sid=UF15PC&tid=AC)
UF15PE Series (product.aspx? language=en-US&sid=UF15PE&tid=AC)
UF15KC Series (product.aspx? language=en-US&sid=UF15KC&tid=AC)
UF15KCR Series (product.aspx? language=en-US&sid=UF15KCR&tid=AC)
UF15KM Series (product.aspx? language=en-US&sid=UF15KM&tid=AC)
UF15KMR Series (product.aspx? language=en-US&sid=UF15KMR&tid=AC)
UF15KME Series (product.aspx? language=en-US&sid=UF15KME&tid=AC)
UF15KMRE Series (product.aspx? language=en-US&sid=UF15KMRE&tid=AC)
UF15AC Series (product.aspx? language=en-US&sid=UF15AC&tid=AC)
UF15A Series (product.aspx? language=en-US&sid=UF15A&tid=AC)
UF13A Series (product.aspx? language=en-US&sid=UF13A&tid=AC)
UF12AR Series (product.aspx? language=en-

Model	UF15KM11-H
Frequency	50/60 Hz
Input Power	42/42 W
Rated Current	0.52/0.47 A
Locked Current	0.88/0.75 A
Speed	2800/3250 RPM
Maximum Air Flow	5.5/6.5 m ³ /min.
Maximum Air Flow	195/230 CFM
Maximum Pressure	14/16 mmH2O
Maximum Pressure	0.55/0.63 InchH2O
Noise	49/53 dB
Weights	1.1 kg

Model	UF15KM20-H
Rated Voltage	200 V
Frequency	50/60 Hz
Input Power	40/38 W
Rated Current	0.29/0.26 A
Locked Current	0.5/0.45 A
Speed	2800/3250 RPM
Maximum Air Flow	5.5/6.5 m ³ /min.
Maximum Air Flow	195/230 CFM
Maximum Pressure	14/16 mmH2O
Maximum Pressure	0.55/0.63 InchH2O
Noise	49/53 dB
Weights	1.1 kg

Model	UF15KM23-H
Rated Voltage	230 V
Frequency	50/60 Hz
Input Power	42/42 W
Rated Current	0.25/0.23 A

US&sid=UF12AR&tid=AC)
UF12A Series (product.aspx? language=en-US&sid=UF12A&tid=AC)
UF12AE Series (product.aspx? language=en-US&sid=UF12AE&tid=AC)
UF12AM Series (product.aspx? language=en-US&sid=UF12AM&tid=AC)
UF12BR Series (product.aspx? language=en-US&sid=UF12BR&tid=AC)
UF12B Series (product.aspx? language=en-US&sid=UF12B&tid=AC)
UF92AM Series (product.aspx? language=en-US&sid=UF92AM&tid=AC)
UF92A Series (product.aspx? language=en-US&sid=UF92A&tid=AC)
UF92B Series (product.aspx? language=en-US&sid=UF92B&tid=AC)
UF80A Series (product.aspx? language=en-US&sid=UF80A&tid=AC)
UF80B Series (product.aspx? language=en-US&sid=UF80B&tid=AC)
UF60D Series (product.aspx? language=en-US&sid=UF60D&tid=AC)

Model	UF15KM23-H
Locked Current	0.43/0.37 A
Speed	2800/3250 RPM
Maximum Air Flow	5.5/6.5 m ³ /min.
Maximum Air Flow	195/230 CFM
Maximum Pressure	14/16 mmH ₂ O
Maximum Pressure	0.55/0.63 InchH ₂ O
Noise	49/53 dB
Weights	1.1 kg

Safety Approval :



[Inquiry \(contactus.aspx?language=en-US&sid=UF15KM&tid=AC\)](mailto:contactus.aspx?language=en-US&sid=UF15KM&tid=AC)



UF15KCR Series

Home (index.aspx?language=en-US) / All Products (allproducts.aspx?language=en-US)
 / Axial Fan (productGeneralData.aspx?language=en-US&tid=AC) / UF15KCR Series

Axial Fan

General Data
 (productGeneralData.aspx?language=en-US&tid=AC)

UF25GCB Series (product.aspx?language=en-US&sid=UF25GCB&tid=AC)

UF25HC Series (product.aspx?language=en-US&sid=UF25HC&tid=AC)

UF25GCA Series (product.aspx?language=en-US&sid=UF25GCA&tid=AC)

UF25GC Series (product.aspx?language=en-US&sid=UF25GC&tid=AC)

UF25GCE Series (product.aspx?language=en-US&sid=UF25GCE&tid=AC)

UF22F Series (product.aspx?language=en-US&sid=UF22F&tid=AC)

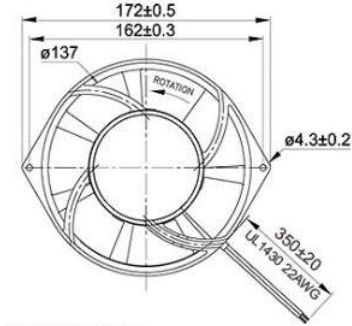
UF20JC Series (product.aspx?language=en-US&sid=UF20JC&tid=AC)

UF18JC Series (product.aspx?language=en-US&sid=UF18JC&tid=AC)

UF17P Series (product.aspx?language=en-US&sid=UF17P&tid=AC)

UF17PC Series (product.aspx?language=en-US&sid=UF17PC&tid=AC)

UF15KCR Series (contactus.aspx?language=en-US&sid=UF15KCR&tid=AC)

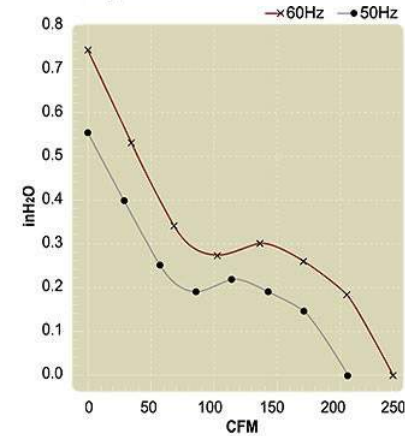


Thermally-Protected

Model	UF15KCR10-H
Rated Voltage	110 V
Frequency	50/60 Hz
Input Power	28/32 W
Rated Current	0.32/0.33 A
Locked Current	0.72/0.72 A
Speed	2850/3400 RPM
Maximum Air Flow	5.8/6.8 m ³ /min.
Maximum Air Flow	205/241 CFM
Maximum Pressure	14/18.5 mmH ₂ O
Maximum Pressure	0.55/0.73 InchH ₂ O
Noise	61/66 dB
Weights	1.08 kg

Model	UF15KCR11-H
Rated Voltage	115 V

Lead Wire Type



UF16FC Series (product.aspx?language=en-US&sid=UF16FC&tid=AC)
UF15P Series (product.aspx?language=en-US&sid=UF15P&tid=AC)
UF15PC Series (product.aspx?language=en-US&sid=UF15PC&tid=AC)
UF15PE Series (product.aspx?language=en-US&sid=UF15PE&tid=AC)
UF15KC Series (product.aspx?language=en-US&sid=UF15KC&tid=AC)
UF15KCR Series (product.aspx?language=en-US&sid=UF15KCR&tid=AC)
UF15KM Series (product.aspx?language=en-US&sid=UF15KM&tid=AC)
UF15KMR Series (product.aspx?language=en-US&sid=UF15KMR&tid=AC)
UF15KME Series (product.aspx?language=en-US&sid=UF15KME&tid=AC)
UF15KMRE Series (product.aspx?language=en-US&sid=UF15KMRE&tid=AC)
UF15AC Series (product.aspx?language=en-US&sid=UF15AC&tid=AC)
UF15A Series (product.aspx?language=en-US&sid=UF15A&tid=AC)
UF13A Series (product.aspx?language=en-US&sid=UF13A&tid=AC)
UF12AR Series (product.aspx?language=en-

Model	UF15KCR11-H
Frequency	50/60 Hz
Input Power	26/30 W
Rated Current	0.24/0.25 A
Locked Current	0.58/0.58 A
Speed	2850/3400 RPM
Maximum Air Flow	5.8/6.8 m ³ /min.
Maximum Air Flow	205/241 CFM
Maximum Pressure	14/18.5 mmH2O
Maximum Pressure	0.55/0.73 InchH2O
Noise	61/66 dB
Weights	1.08 kg

Model	UF15KCR20-H
Rated Voltage	200 V
Frequency	50/60 Hz
Input Power	28/32 W
Rated Current	0.15/0.16 A
Locked Current	0.35/0.35 A
Speed	2850/3400 RPM
Maximum Air Flow	5.8/6.8 m ³ /min.
Maximum Air Flow	205/241 CFM
Maximum Pressure	14/18.5 mmH2O
Maximum Pressure	0.55/0.73 InchH2O
Noise	61/66 dB
Weights	1.08 kg

Model	UF15KCR23-H
Rated Voltage	230 V
Frequency	50/60 Hz
Input Power	26/31 W
Rated Current	0.11/0.13 A

US&sid=UF12AR&tid=AC
UF12A Series (product.aspx?language=en-US&sid=UF12A&tid=AC)
UF12AE Series (product.aspx?language=en-US&sid=UF12AE&tid=AC)
UF12AM Series (product.aspx?language=en-US&sid=UF12AM&tid=AC)
UF12BR Series (product.aspx?language=en-US&sid=UF12BR&tid=AC)
UF12B Series (product.aspx?language=en-US&sid=UF12B&tid=AC)
UF92AM Series (product.aspx?language=en-US&sid=UF92AM&tid=AC)
UF92A Series (product.aspx?language=en-US&sid=UF92A&tid=AC)
UF92B Series (product.aspx?language=en-US&sid=UF92B&tid=AC)
UF80A Series (product.aspx?language=en-US&sid=UF80A&tid=AC)
UF80B Series (product.aspx?language=en-US&sid=UF80B&tid=AC)
UF60D Series (product.aspx?language=en-US&sid=UF60D&tid=AC)

Model	UF15KCR23-H
Locked Current	0.28/0.28 A
Speed	2850/3400 RPM
Maximum Air Flow	5.8/6.8 m ³ /min.
Maximum Air Flow	205/241 CFM
Maximum Pressure	14/18.5 mmH2O
Maximum Pressure	0.55/0.73 InchH2O
Noise	61/66 dB
Weights	1.08 kg

Safety Approval :



[Inquiry \(contactus.aspx?language=en-US&sid=UF15KCR&tid=AC\)](#)



UF15KC Series

Home (index.aspx?language=en-US) / All Products (allproducts.aspx?language=en-US)
 / Axial Fan (productGeneralData.aspx?language=en-US&tid=AC) / UF15KC Series

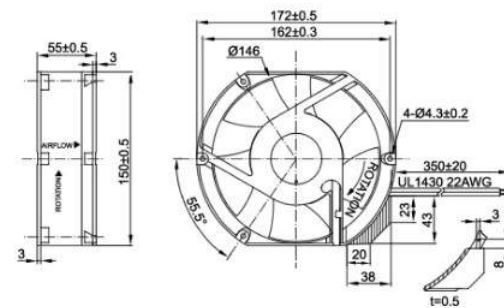
Axial Fan

General Data (productGeneralData.aspx?language=en-US&tid=AC)
UF25GCB Series (product.aspx?language=en-US&sid=UF25GCB&tid=AC)
UF25HC Series (product.aspx?language=en-US&sid=UF25HC&tid=AC)
UF25GCA Series (product.aspx?language=en-US&sid=UF25GCA&tid=AC)
UF25GC Series (product.aspx?language=en-US&sid=UF25GC&tid=AC)
UF25GCE Series (product.aspx?language=en-US&sid=UF25GCE&tid=AC)
UF22F Series (product.aspx?language=en-US&sid=UF22F&tid=AC)
UF20JC Series (product.aspx?language=en-US&sid=UF20JC&tid=AC)
UF18JC Series (product.aspx?language=en-US&sid=UF18JC&tid=AC)
UF17P Series (product.aspx?language=en-US&sid=UF17P&tid=AC)
UF17PC Series (product.aspx?language=en-US&sid=UF17PC&tid=AC)

UF15KC Series (contactus.aspx?language=en-US&sid=UF15KC&tid=AC)

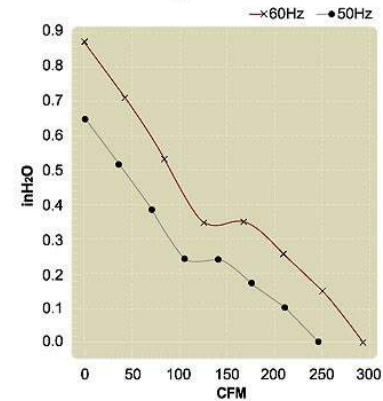


Thermally-Protected



Terminal or Lead Wire Type

Model	UF15KC11-H
Rated Voltage	115 V
Frequency	50/60 Hz
Input Power	39/38 W
Rated Current	0.38/0.34 A
Locked Current	0.75/0.76 A
Speed	2900/3400 RPM
Maximum Air Flow	6.8/8.3 m ³ /min.
Maximum Air Flow	240/293 CFM
Maximum Pressure	17/23 mmH2O
Maximum Pressure	0.67/0.9 InchH2O
Noise	55/60 dB
Weights	1.05 kg



Model	UF15KC23-H
Rated Voltage	230 V

UF16FC Series (product.aspx?language=en-US&sid=UF16FC&tid=AC)
UF15P Series (product.aspx?language=en-US&sid=UF15P&tid=AC)
UF15PC Series (product.aspx?language=en-US&sid=UF15PC&tid=AC)
UF15PE Series (product.aspx?language=en-US&sid=UF15PE&tid=AC)
UF15KC Series (product.aspx?language=en-US&sid=UF15KC&tid=AC)
UF15KCR Series (product.aspx?language=en-US&sid=UF15KCR&tid=AC)
UF15KM Series (product.aspx?language=en-US&sid=UF15KM&tid=AC)
UF15KMR Series (product.aspx?language=en-US&sid=UF15KMR&tid=AC)
UF15KME Series (product.aspx?language=en-US&sid=UF15KME&tid=AC)
UF15KMRE Series (product.aspx?language=en-US&sid=UF15KMRE&tid=AC)
UF15AC Series (product.aspx?language=en-US&sid=UF15AC&tid=AC)
UF15A Series (product.aspx?language=en-US&sid=UF15A&tid=AC)
UF13A Series (product.aspx?language=en-US&sid=UF13A&tid=AC)
UF12AR Series (product.aspx?language=en-US&sid=UF12AR&tid=AC)

Model	UF15KC23-H
Frequency	50/60 Hz
Input Power	38/38 W
Rated Current	0.18/0.17 A
Locked Current	0.38/0.38 A
Speed	2900/3400 RPM
Maximum Air Flow	6.8/8.3 m ³ /min.
Maximum Air Flow	240/293 CFM
Maximum Pressure	17/23 mmH2O
Maximum Pressure	0.67/0.9 InchH2O
Noise	55/60 dB
Weights	1.05 kg

Safety Approval :



[Inquiry \(contactus.aspx?language=en-US&sid=UF15KC&tid=AC\)](contactus.aspx?language=en-US&sid=UF15KC&tid=AC)

US&sid=UF12AR&tid=AC)
UF12A Series (product.aspx? language=en-US&sid=UF12A&tid=AC)
UF12AE Series (product.aspx? language=en-US&sid=UF12AE&tid=AC)
UF12AM Series (product.aspx? language=en-US&sid=UF12AM&tid=AC)
UF12BR Series (product.aspx? language=en-US&sid=UF12BR&tid=AC)
UF12B Series (product.aspx? language=en-US&sid=UF12B&tid=AC)
UF92AM Series (product.aspx? language=en-US&sid=UF92AM&tid=AC)
UF92A Series (product.aspx? language=en-US&sid=UF92A&tid=AC)
UF92B Series (product.aspx? language=en-US&sid=UF92B&tid=AC)
UF80A Series (product.aspx? language=en-US&sid=UF80A&tid=AC)
UF80B Series (product.aspx? language=en-US&sid=UF80B&tid=AC)
UF60D Series (product.aspx? language=en-US&sid=UF60D&tid=AC)



UF15PE Series

Home ([index.aspx?language=en-US](#)) / All Products ([allproducts.aspx?language=en-US](#)) / Axial Fan ([productGeneralData.aspx?language=en-US&tid=AC](#)) / UF15PE Series

Axial Fan

General Data
([productGeneralData.aspx?language=en-US&tid=AC](#))

UF25GCB Series ([product.aspx?language=en-US&sid=UF25GCB&tid=AC](#))

UF25HC Series ([product.aspx?language=en-US&sid=UF25HC&tid=AC](#))

UF25GCA Series ([product.aspx?language=en-US&sid=UF25GCA&tid=AC](#))

UF25GC Series ([product.aspx?language=en-US&sid=UF25GC&tid=AC](#))

UF25GCE Series ([product.aspx?language=en-US&sid=UF25GCE&tid=AC](#))

UF22F Series ([product.aspx?language=en-US&sid=UF22F&tid=AC](#))

UF20JC Series ([product.aspx?language=en-US&sid=UF20JC&tid=AC](#))

UF18JC Series ([product.aspx?language=en-US&sid=UF18JC&tid=AC](#))

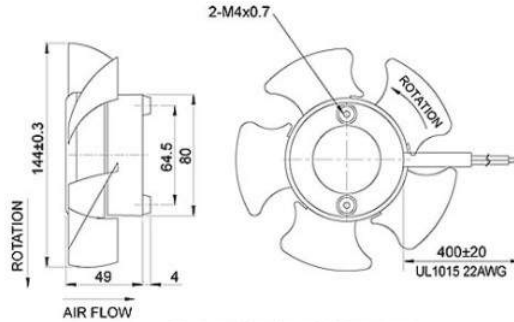
UF17P Series ([product.aspx?language=en-US&sid=UF17P&tid=AC](#))

UF17PC Series ([product.aspx?language=en-US&sid=UF17PC&tid=AC](#))

UF15PE Series ([contactus.aspx?language=en-US&sid=UF15PE&tid=AC](#))



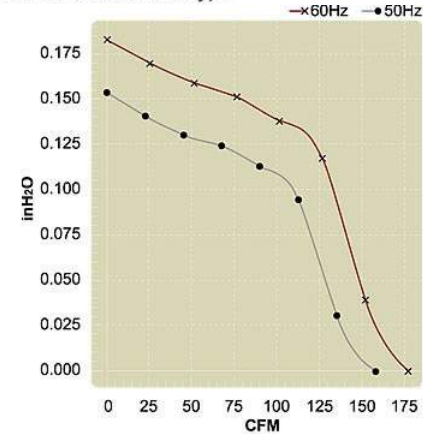
Impedance-Protected



Model	UF15PE11
Rated Voltage	115 V
Frequency	50/60 Hz
Input Power	36/33 W
Rated Current	0.51/0.42 A
Locked Current	0.62/0.54 A
Speed	2650/2950 RPM
Maximum Air Flow	4.53/5.1 m ³ /min.
Maximum Air Flow	160/180 CFM
Maximum Pressure	4.06/4.57 mmH ₂ O
Maximum Pressure	0.16/0.18 InchH ₂ O
Noise	48/53 dB
Weights	0.78 kg

Model	UF15PE23
Rated Voltage	230 V
Frequency	50/60 Hz

Terminal or Lead Wire Type



UF16FC Series (product.aspx?language=en-US&sid=UF16FC&tid=AC)
UF15P Series (product.aspx?language=en-US&sid=UF15P&tid=AC)
UF15PC Series (product.aspx?language=en-US&sid=UF15PC&tid=AC)
UF15PE Series (product.aspx?language=en-US&sid=UF15PE&tid=AC)
UF15KC Series (product.aspx?language=en-US&sid=UF15KC&tid=AC)
UF15KCR Series (product.aspx?language=en-US&sid=UF15KCR&tid=AC)
UF15KM Series (product.aspx?language=en-US&sid=UF15KM&tid=AC)
UF15KMR Series (product.aspx?language=en-US&sid=UF15KMR&tid=AC)
UF15KME Series (product.aspx?language=en-US&sid=UF15KME&tid=AC)
UF15KMRE Series (product.aspx?language=en-US&sid=UF15KMRE&tid=AC)
UF15AC Series (product.aspx?language=en-US&sid=UF15AC&tid=AC)
UF15A Series (product.aspx?language=en-US&sid=UF15A&tid=AC)
UF13A Series (product.aspx?language=en-US&sid=UF13A&tid=AC)
UF12AR Series (product.aspx?language=en-US&sid=UF12AR&tid=AC)

Model	UF15PE23
Input Power	36/33 W
Rated Current	0.24/0.2 A
Locked Current	0.29/0.25 A
Speed	2650/2950 RPM
Maximum Air Flow	4.53/5.1 m ³ /min.
Maximum Air Flow	160/180 CFM
Maximum Pressure	4.06/4.57 mmH ₂ O
Maximum Pressure	0.16/0.18 InchH ₂ O
Noise	48/53 dB
Weights	0.78 kg

Safety Approval :



[Inquiry \(contactus.aspx?language=en-US&sid=UF15PE&tid=AC\)](contactus.aspx?language=en-US&sid=UF15PE&tid=AC)

US&sid=UF12AR&tid=AC)
UF12A Series (product.aspx? language=en-US&sid=UF12A&tid=AC)
UF12AE Series (product.aspx? language=en-US&sid=UF12AE&tid=AC)
UF12AM Series (product.aspx? language=en-US&sid=UF12AM&tid=AC)
UF12BR Series (product.aspx? language=en-US&sid=UF12BR&tid=AC)
UF12B Series (product.aspx? language=en-US&sid=UF12B&tid=AC)
UF92AM Series (product.aspx? language=en-US&sid=UF92AM&tid=AC)
UF92A Series (product.aspx? language=en-US&sid=UF92A&tid=AC)
UF92B Series (product.aspx? language=en-US&sid=UF92B&tid=AC)
UF80A Series (product.aspx? language=en-US&sid=UF80A&tid=AC)
UF80B Series (product.aspx? language=en-US&sid=UF80B&tid=AC)
UF60D Series (product.aspx? language=en-US&sid=UF60D&tid=AC)



UF15P Series

Home ([index.aspx?language=en-US](#)) / All Products ([allproducts.aspx?language=en-US](#)) / Axial Fan ([productGeneralData.aspx?language=en-US&tid=AC](#)) / UF15P Series

Axial Fan

General Data
([productGeneralData.aspx?language=en-US&tid=AC](#))

UF25GCB Series ([product.aspx?language=en-US&sid=UF25GCB&tid=AC](#))

UF25HC Series ([product.aspx?language=en-US&sid=UF25HC&tid=AC](#))

UF25GCA Series ([product.aspx?language=en-US&sid=UF25GCA&tid=AC](#))

UF25GC Series ([product.aspx?language=en-US&sid=UF25GC&tid=AC](#))

UF25GCE Series ([product.aspx?language=en-US&sid=UF25GCE&tid=AC](#))

UF22F Series ([product.aspx?language=en-US&sid=UF22F&tid=AC](#))

UF20JC Series ([product.aspx?language=en-US&sid=UF20JC&tid=AC](#))

UF18JC Series ([product.aspx?language=en-US&sid=UF18JC&tid=AC](#))

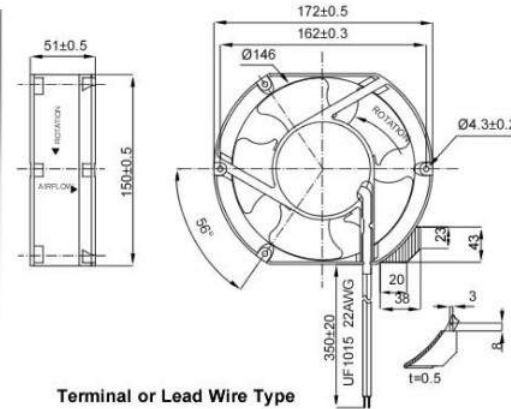
UF17P Series ([product.aspx?language=en-US&sid=UF17P&tid=AC](#))

UF17PC Series ([product.aspx?language=en-US&sid=UF17PC&tid=AC](#))

UF15P Series ([contactus.aspx?language=en-US&sid=UF15P&tid=AC](#))

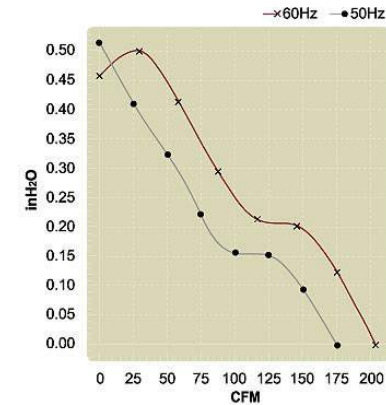


Impedance-Protected



Terminal or Lead Wire Type

Model	UF15P11-H
Rated Voltage	115 V
Frequency	50/60 Hz
Input Power	32/28 W
Rated Current	0.43/0.36 A
Locked Current	0.51/0.45 A
Speed	2750/3100 RPM
Maximum Air Flow	4.8/5.5 m ³ /min.
Maximum Air Flow	170/195 CFM
Maximum Pressure	10.5/9.5 mmH ₂ O
Maximum Pressure	0.42/0.38 InchH ₂ O
Noise	50/55 dB
Weights	0.9 kg



Model	UF15P23-H
-------	-----------

UF16FC Series (product.aspx?language=en-US&sid=UF16FC&tid=AC)
UF15P Series (product.aspx?language=en-US&sid=UF15P&tid=AC)
UF15PC Series (product.aspx?language=en-US&sid=UF15PC&tid=AC)
UF15PE Series (product.aspx?language=en-US&sid=UF15PE&tid=AC)
UF15KC Series (product.aspx?language=en-US&sid=UF15KC&tid=AC)
UF15KCR Series (product.aspx?language=en-US&sid=UF15KCR&tid=AC)
UF15KM Series (product.aspx?language=en-US&sid=UF15KM&tid=AC)
UF15KMR Series (product.aspx?language=en-US&sid=UF15KMR&tid=AC)
UF15KME Series (product.aspx?language=en-US&sid=UF15KME&tid=AC)
UF15KMRE Series (product.aspx?language=en-US&sid=UF15KMRE&tid=AC)
UF15AC Series (product.aspx?language=en-US&sid=UF15AC&tid=AC)
UF15A Series (product.aspx?language=en-US&sid=UF15A&tid=AC)
UF13A Series (product.aspx?language=en-US&sid=UF13A&tid=AC)
UF12AR Series (product.aspx?language=en-US&sid=UF12AR&tid=AC)

Model	UF15P23-H
Rated Voltage	230 V
Frequency	50/60 Hz
Input Power	35/30 W
Rated Current	0.23/0.18 A
Locked Current	0.29/0.25 A
Speed	2750/3100 RPM
Maximum Air Flow	4.8/5.5 m ³ /min.
Maximum Air Flow	170/195 CFM
Maximum Pressure	10.5/9.5 mmH2O
Maximum Pressure	0.42/0.38 InchH2O
Noise	50/55 dB
Weights	0.9 kg

Safety Approval :



[Inquiry \(contactus.aspx?language=en-US&sid=UF15P&tid=AC\)](contactus.aspx?language=en-US&sid=UF15P&tid=AC)

US&sid=UF12AR&tid=AC)
UF12A Series (product.aspx? language=en-US&sid=UF12A&tid=AC)
UF12AE Series (product.aspx? language=en-US&sid=UF12AE&tid=AC)
UF12AM Series (product.aspx? language=en-US&sid=UF12AM&tid=AC)
UF12BR Series (product.aspx? language=en-US&sid=UF12BR&tid=AC)
UF12B Series (product.aspx? language=en-US&sid=UF12B&tid=AC)
UF92AM Series (product.aspx? language=en-US&sid=UF92AM&tid=AC)
UF92A Series (product.aspx? language=en-US&sid=UF92A&tid=AC)
UF92B Series (product.aspx? language=en-US&sid=UF92B&tid=AC)
UF80A Series (product.aspx? language=en-US&sid=UF80A&tid=AC)
UF80B Series (product.aspx? language=en-US&sid=UF80B&tid=AC)
UF60D Series (product.aspx? language=en-US&sid=UF60D&tid=AC)



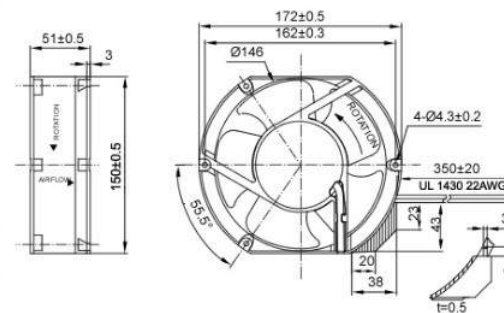
UF15PC Series

Home (index.aspx?language=en-US) / All Products (allproducts.aspx?language=en-US)
 / Axial Fan (productGeneralData.aspx?language=en-US&tid=AC) / UF15PC Series

Axial Fan

General Data (productGeneralData.aspx?language=en-US&tid=AC)
UF25GCB Series (product.aspx?language=en-US&sid=UF25GCB&tid=AC)
UF25HC Series (product.aspx?language=en-US&sid=UF25HC&tid=AC)
UF25GCA Series (product.aspx?language=en-US&sid=UF25GCA&tid=AC)
UF25GC Series (product.aspx?language=en-US&sid=UF25GC&tid=AC)
UF25GCE Series (product.aspx?language=en-US&sid=UF25GCE&tid=AC)
UF22F Series (product.aspx?language=en-US&sid=UF22F&tid=AC)
UF20JC Series (product.aspx?language=en-US&sid=UF20JC&tid=AC)
UF18JC Series (product.aspx?language=en-US&sid=UF18JC&tid=AC)
UF17P Series (product.aspx?language=en-US&sid=UF17P&tid=AC)
UF17PC Series (product.aspx?language=en-US&sid=UF17PC&tid=AC)

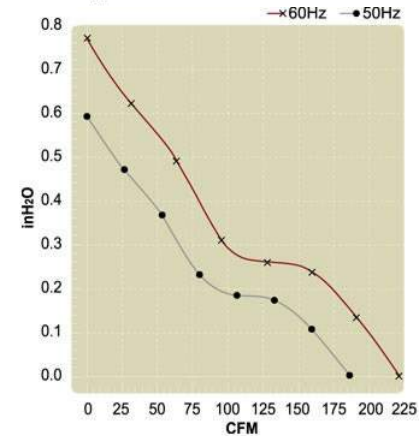
UF15PC Series (contactus.aspx?language=en-US&sid=UF15PC&tid=AC)



Thermally-Protected

Terminal or Lead Wire Type

Model	UF15PC10-H
Rated Voltage	110 V
Frequency	50/60 Hz
Input Power	30/30 W
Rated Current	0.33/0.29 A
Locked Current	0.5/0.52 A
Speed	2850/3400 RPM
Maximum Air Flow	5.8/6.4 m ³ /min.
Maximum Air Flow	205/226 CFM
Maximum Pressure	16/20 mmH ₂ O
Maximum Pressure	0.63/0.79 InchH ₂ O
Noise	53/58 dB
Weights	0.8 kg



Model	UF15PC11-H
Rated Voltage	115 V
Frequency	50/60 Hz

UF16FC Series (product.aspx? language=en-US&sid=UF16FC&tid=AC)
UF15P Series (product.aspx? language=en-US&sid=UF15P&tid=AC)
UF15PC Series (product.aspx? language=en-US&sid=UF15PC&tid=AC)
UF15PE Series (product.aspx? language=en-US&sid=UF15PE&tid=AC)
UF15KC Series (product.aspx? language=en-US&sid=UF15KC&tid=AC)
UF15KCR Series (product.aspx? language=en-US&sid=UF15KCR&tid=AC)
UF15KM Series (product.aspx? language=en-US&sid=UF15KM&tid=AC)
UF15KMR Series (product.aspx? language=en-US&sid=UF15KMR&tid=AC)
UF15KME Series (product.aspx? language=en-US&sid=UF15KME&tid=AC)
UF15KMRE Series (product.aspx? language=en-US&sid=UF15KMRE&tid=AC)
UF15AC Series (product.aspx? language=en-US&sid=UF15AC&tid=AC)
UF15A Series (product.aspx? language=en-US&sid=UF15A&tid=AC)
UF13A Series (product.aspx? language=en-US&sid=UF13A&tid=AC)
UF12AR Series (product.aspx? language=en-

Model	UF15PC11-H
Input Power	31/31 W
Rated Current	0.26/0.25 A
Locked Current	0.41/0.43 A
Speed	2850/3400 RPM
Maximum Air Flow	5.8/6.4 m ³ /min.
Maximum Air Flow	205/226 CFM
Maximum Pressure	16/20 mmH2O
Maximum Pressure	0.63/0.79 InchH2O
Noise	53/58 dB
Weights	0.8 kg

Model	UF15PC11-L
Rated Voltage	115 V
Frequency	50/60 Hz
Input Power	31/31 W
Rated Current	0.17/0.15 A
Locked Current	0.21/0.2 A
Speed	1400/1700 RPM
Maximum Air Flow	2.5/3 m ³ /min.
Maximum Air Flow	88/106 CFM
Maximum Pressure	3.8/5.5 mmH2O
Maximum Pressure	0.15/0.22 InchH2O
Noise	31/37 dB
Weights	0.8 kg

Model	UF15PC20-H
Rated Voltage	200 V
Frequency	50/60 Hz
Input Power	29/29 W
Rated Current	0.15/0.14 A
Locked Current	0.23/0.25 A

US&sid=UF12AR&tid=AC)
UF12A Series (product.aspx? language=en-US&sid=UF12A&tid=AC)
UF12AE Series (product.aspx? language=en-US&sid=UF12AE&tid=AC)
UF12AM Series (product.aspx? language=en-US&sid=UF12AM&tid=AC)
UF12BR Series (product.aspx? language=en-US&sid=UF12BR&tid=AC)
UF12B Series (product.aspx? language=en-US&sid=UF12B&tid=AC)
UF92AM Series (product.aspx? language=en-US&sid=UF92AM&tid=AC)
UF92A Series (product.aspx? language=en-US&sid=UF92A&tid=AC)
UF92B Series (product.aspx? language=en-US&sid=UF92B&tid=AC)
UF80A Series (product.aspx? language=en-US&sid=UF80A&tid=AC)
UF80B Series (product.aspx? language=en-US&sid=UF80B&tid=AC)
UF60D Series (product.aspx? language=en-US&sid=UF60D&tid=AC)

Model	UF15PC20-H
Speed	2850/3400 RPM
Maximum Air Flow	5.8/6.4 m ³ /min.
Maximum Air Flow	205/226 CFM
Maximum Pressure	16/20 mmH2O
Maximum Pressure	0.63/0.79 InchH2O
Noise	53/58 dB
Weights	0.8 kg

Model	UF15PC23-H
Rated Voltage	230 V
Frequency	50/60 Hz
Input Power	29/29 W
Rated Current	0.12/0.12 A
Locked Current	0.19/0.19 A
Speed	2850/3400 RPM
Maximum Air Flow	5.8/6.4 m ³ /min.
Maximum Air Flow	205/226 CFM
Maximum Pressure	16/20 mmH2O
Maximum Pressure	0.63/0.79 InchH2O
Noise	53/58 dB
Weights	0.8 kg

Model	UF15PC23-L
Rated Voltage	230 V
Frequency	50/60 Hz
Input Power	29/29 W
Rated Current	0.08/0.07 A
Locked Current	0.09/0.09 A
Speed	1400/1700 RPM
Maximum Air Flow	2.5/3 m ³ /min.
Maximum Air Flow	88/106 CFM

Model	UF15PC23-L
Maximum Pressure	3.8/5.5 mmH2O
Maximum Pressure	0.15/0.22 InchH2O
Noise	31/37 dB
Weights	0.8 kg

Safety Approval :



[Inquiry \(contactus.aspx?language=en-US&sid=UF15PC&tid=AC\)](http://contactus.aspx?language=en-US&sid=UF15PC&tid=AC)



Copyright © 2017 FULLTECH All rights reserved · Fulltech Electric Co., Ltd

TEL: +886-33246161 FAX: +886-33245596

Address : No.31, Neixi Road, Luzhu District , Taoyuan City 33852, Taiwan, (R.O.C).

UF15AC Series

Home (index.aspx?language=en-US) / All Products (allproducts.aspx?language=en-US)
 / Axial Fan (productGeneralData.aspx?language=en-US&tid=AC) / UF15AC Series

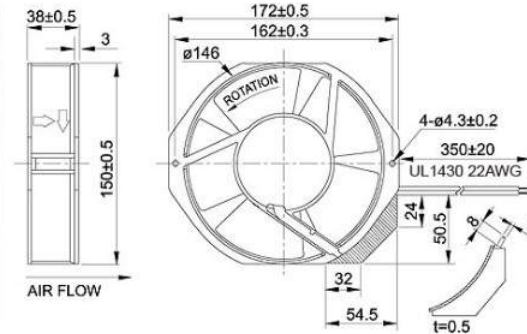
Axial Fan

General Data (productGeneralData.aspx?language=en-US&tid=AC)
UF25GCB Series (product.aspx?language=en-US&sid=UF25GCB&tid=AC)
UF25HC Series (product.aspx?language=en-US&sid=UF25HC&tid=AC)
UF25GCA Series (product.aspx?language=en-US&sid=UF25GCA&tid=AC)
UF25GC Series (product.aspx?language=en-US&sid=UF25GC&tid=AC)
UF25GCE Series (product.aspx?language=en-US&sid=UF25GCE&tid=AC)
UF22F Series (product.aspx?language=en-US&sid=UF22F&tid=AC)
UF20JC Series (product.aspx?language=en-US&sid=UF20JC&tid=AC)
UF18JC Series (product.aspx?language=en-US&sid=UF18JC&tid=AC)
UF17P Series (product.aspx?language=en-US&sid=UF17P&tid=AC)
UF17PC Series (product.aspx?language=en-US&sid=UF17PC&tid=AC)

UF15AC Series (contactus.aspx?language=en-US&sid=UF15AC&tid=AC)

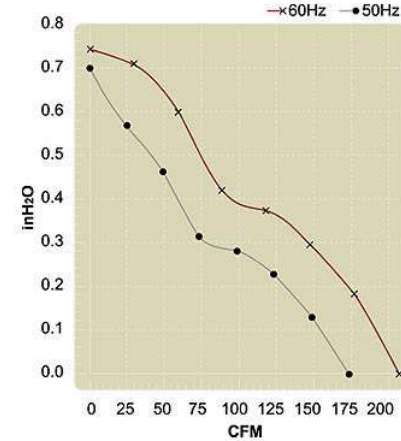


Thermally-Protected



Terminal or Lead Wire Type

Model	UF15AC10-H
Rated Voltage	110 V
Frequency	50/60 Hz
Input Power	27/25 W
Rated Current	0.29/0.25 A
Locked Current	0.47/0.47 A
Speed	2850/3400 RPM
Maximum Air Flow	5/6 m ³ /min.
Maximum Air Flow	177/212 CFM
Maximum Pressure	17/19 mmH ₂ O
Maximum Pressure	0.67/0.75 InchH ₂ O
Noise	54/58 dB
Weights	0.72 kg



Model	UF15AC11-H
Rated Voltage	115 V

UF16FC Series (product.aspx? language=en-US&sid=UF16FC&tid=AC)
UF15P Series (product.aspx? language=en-US&sid=UF15P&tid=AC)
UF15PC Series (product.aspx? language=en-US&sid=UF15PC&tid=AC)
UF15PE Series (product.aspx? language=en-US&sid=UF15PE&tid=AC)
UF15KC Series (product.aspx? language=en-US&sid=UF15KC&tid=AC)
UF15KCR Series (product.aspx? language=en-US&sid=UF15KCR&tid=AC)
UF15KM Series (product.aspx? language=en-US&sid=UF15KM&tid=AC)
UF15KMR Series (product.aspx? language=en-US&sid=UF15KMR&tid=AC)
UF15KME Series (product.aspx? language=en-US&sid=UF15KME&tid=AC)
UF15KMRE Series (product.aspx? language=en-US&sid=UF15KMRE&tid=AC)
UF15AC Series (product.aspx? language=en-US&sid=UF15AC&tid=AC)
UF15A Series (product.aspx? language=en-US&sid=UF15A&tid=AC)
UF13A Series (product.aspx? language=en-US&sid=UF13A&tid=AC)
UF12AR Series (product.aspx? language=en-

Model	UF15AC11-H
Frequency	50/60 Hz
Input Power	29/28 W
Rated Current	0.25/0.23 A
Locked Current	0.36/0.38 A
Speed	2850/3400 RPM
Maximum Air Flow	5/6 m ³ /min.
Maximum Air Flow	177/212 CFM
Maximum Pressure	17/19 mmH2O
Maximum Pressure	0.67/0.75 InchH2O
Noise	54/58 dB
Weights	0.72 kg

Model	UF15AC11-L
Rated Voltage	115 V
Frequency	50/60 Hz
Input Power	29/28 W
Rated Current	0.17/0.15 A
Locked Current	0.2/0.2 A
Speed	1400/1700 RPM
Maximum Air Flow	2.4/2.9 m ³ /min.
Maximum Air Flow	85/103 CFM
Maximum Pressure	4.5/6.5 mmH2O
Maximum Pressure	0.18/0.26 InchH2O
Noise	38/44 dB
Weights	0.72 kg

Model	UF15AC20-H
Rated Voltage	200 V
Frequency	50/60 Hz
Input Power	27/25 W
Rated Current	0.13/0.12 A

US&sid=UF12AR&tid=AC)
UF12A Series (product.aspx? language=en-US&sid=UF12A&tid=AC)
UF12AE Series (product.aspx? language=en-US&sid=UF12AE&tid=AC)
UF12AM Series (product.aspx? language=en-US&sid=UF12AM&tid=AC)
UF12BR Series (product.aspx? language=en-US&sid=UF12BR&tid=AC)
UF12B Series (product.aspx? language=en-US&sid=UF12B&tid=AC)
UF92AM Series (product.aspx? language=en-US&sid=UF92AM&tid=AC)
UF92A Series (product.aspx? language=en-US&sid=UF92A&tid=AC)
UF92B Series (product.aspx? language=en-US&sid=UF92B&tid=AC)
UF80A Series (product.aspx? language=en-US&sid=UF80A&tid=AC)
UF80B Series (product.aspx? language=en-US&sid=UF80B&tid=AC)
UF60D Series (product.aspx? language=en-US&sid=UF60D&tid=AC)

Model	UF15AC20-H
Locked Current	0.21/0.22 A
Speed	2850/3400 RPM
Maximum Air Flow	5/6 m ³ /min.
Maximum Air Flow	177/212 CFM
Maximum Pressure	17/19 mmH2O
Maximum Pressure	0.67/0.75 InchH2O
Noise	54/58 dB
Weights	0.72 kg

Model	UF15AC23-H
Rated Voltage	230 V
Frequency	50/60 Hz
Input Power	27/26 W
Rated Current	0.11/0.11 A
Locked Current	0.18/0.18 A
Speed	2850/3400 RPM
Maximum Air Flow	5/6 m ³ /min.
Maximum Air Flow	177/212 CFM
Maximum Pressure	17/19 mmH2O
Maximum Pressure	0.67/0.75 InchH2O
Noise	54/58 dB
Weights	0.72 kg

Model	UF15AC23-L
Rated Voltage	230 V
Frequency	50/60 Hz
Input Power	27/26 W
Rated Current	0.08/0.07 A
Locked Current	0.1/0.1 A
Speed	1400/1700 RPM
Maximum Air Flow	2.4/2.9 m ³ /min.

Model	UF15AC23-L
Maximum Air Flow	85/103 CFM
Maximum Pressure	4.5/6.5 mmH2O
Maximum Pressure	0.18/0.26 InchH2O
Noise	38/44 dB
Weights	0.72 kg

Safety Approval :



[Inquiry \(contactus.aspx?language=en-US&sid=UF15AC&tid=AC\)](http://contactus.aspx?language=en-US&sid=UF15AC&tid=AC)



Copyright © 2017 FULLTECH All rights reserved · Fulltech Electric Co., Ltd

TEL: +886-33246161 FAX: +886-33245596

Address : No.31, Neixi Road, Luzhu District , Taoyuan City 33852, Taiwan, (R.O.C).

UF15A Series

Home ([index.aspx?language=en-US](#)) / All Products ([allproducts.aspx?language=en-US](#)) / Axial Fan ([productGeneralData.aspx?language=en-US&tid=AC](#)) / UF15A Series

Axial Fan

General Data
([productGeneralData.aspx?language=en-US&tid=AC](#))

UF25GCB Series ([product.aspx?language=en-US&sid=UF25GCB&tid=AC](#))

UF25HC Series ([product.aspx?language=en-US&sid=UF25HC&tid=AC](#))

UF25GCA Series ([product.aspx?language=en-US&sid=UF25GCA&tid=AC](#))

UF25GC Series ([product.aspx?language=en-US&sid=UF25GC&tid=AC](#))

UF25GCE Series ([product.aspx?language=en-US&sid=UF25GCE&tid=AC](#))

UF22F Series ([product.aspx?language=en-US&sid=UF22F&tid=AC](#))

UF20JC Series ([product.aspx?language=en-US&sid=UF20JC&tid=AC](#))

UF18JC Series ([product.aspx?language=en-US&sid=UF18JC&tid=AC](#))

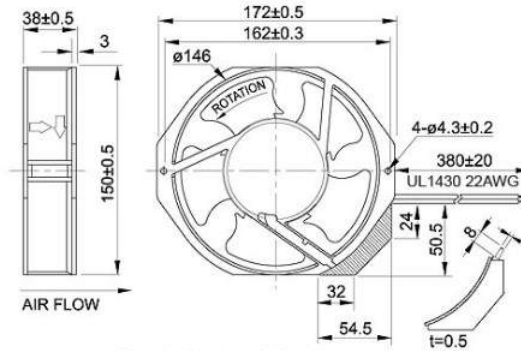
UF17P Series ([product.aspx?language=en-US&sid=UF17P&tid=AC](#))

UF17PC Series ([product.aspx?language=en-US&sid=UF17PC&tid=AC](#))

UF15A Series ([contactus.aspx?language=en-US&sid=UF15A&tid=AC](#))

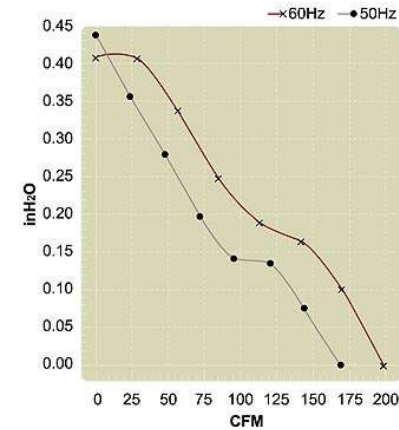


Impedance-Protected



Terminal or Lead Wire Type

Model	UF15A11-H
Rated Voltage	115 V
Frequency	50/60 Hz
Input Power	36/30 W
Rated Current	0.5/0.38 A
Locked Current	0.66/0.56 A
Speed	2750/3200 RPM
Maximum Air Flow	4.7/5.6 m ³ /min.
Maximum Air Flow	166/198 CFM
Maximum Pressure	11/10 mmH ₂ O
Maximum Pressure	0.43/0.4 InchH ₂ O
Noise	50/55 dB
Weights	0.78 kg



Model	UF15A23-H
Rated Voltage	230 V

UF16FC Series (product.aspx?language=en-US&sid=UF16FC&tid=AC)
UF15P Series (product.aspx?language=en-US&sid=UF15P&tid=AC)
UF15PC Series (product.aspx?language=en-US&sid=UF15PC&tid=AC)
UF15PE Series (product.aspx?language=en-US&sid=UF15PE&tid=AC)
UF15KC Series (product.aspx?language=en-US&sid=UF15KC&tid=AC)
UF15KCR Series (product.aspx?language=en-US&sid=UF15KCR&tid=AC)
UF15KM Series (product.aspx?language=en-US&sid=UF15KM&tid=AC)
UF15KMR Series (product.aspx?language=en-US&sid=UF15KMR&tid=AC)
UF15KME Series (product.aspx?language=en-US&sid=UF15KME&tid=AC)
UF15KMRE Series (product.aspx?language=en-US&sid=UF15KMRE&tid=AC)
UF15AC Series (product.aspx?language=en-US&sid=UF15AC&tid=AC)
UF15A Series (product.aspx?language=en-US&sid=UF15A&tid=AC)
UF13A Series (product.aspx?language=en-US&sid=UF13A&tid=AC)
UF12AR Series (product.aspx?language=en-US&sid=UF12AR&tid=AC)

Model	UF15A23-H
Frequency	50/60 Hz
Input Power	39/31 W
Rated Current	0.25/0.19 A
Locked Current	0.32/0.28 A
Speed	2750/3200 RPM
Maximum Air Flow	4.7/5.6 m ³ /min.
Maximum Air Flow	166/198 CFM
Maximum Pressure	11/10 mmH2O
Maximum Pressure	0.43/0.4 InchH2O
Noise	50/55 dB
Weights	0.78 kg

Safety Approval :



[Inquiry \(contactus.aspx?language=en-US&sid=UF15A&tid=AC\)](contactus.aspx?language=en-US&sid=UF15A&tid=AC)

US&sid=UF12AR&tid=AC)
UF12A Series (product.aspx? language=en-US&sid=UF12A&tid=AC)
UF12AE Series (product.aspx? language=en-US&sid=UF12AE&tid=AC)
UF12AM Series (product.aspx? language=en-US&sid=UF12AM&tid=AC)
UF12BR Series (product.aspx? language=en-US&sid=UF12BR&tid=AC)
UF12B Series (product.aspx? language=en-US&sid=UF12B&tid=AC)
UF92AM Series (product.aspx? language=en-US&sid=UF92AM&tid=AC)
UF92A Series (product.aspx? language=en-US&sid=UF92A&tid=AC)
UF92B Series (product.aspx? language=en-US&sid=UF92B&tid=AC)
UF80A Series (product.aspx? language=en-US&sid=UF80A&tid=AC)
UF80B Series (product.aspx? language=en-US&sid=UF80B&tid=AC)
UF60D Series (product.aspx? language=en-US&sid=UF60D&tid=AC)

