

каталог, описание, технические, характеристики, datasheet, параметры,
маркировка, габариты, фото, даташит, спецификация, сайт, Беларусь, Минск,
продажа, купить, аналог, замена, Вентилятор, Fulltech



1. UF15PC Серия,

Axial Fan

Описание, характеристики, UF25GCB Серия, UF25HC Серия, UF25GCA Серия, UF25GC Серия, UF25GCE Серия, UF22F Серия, UF20JC Серия, UF18JC Серия, UF17P Серия, UF17PC Серия, UF16FC Серия, UF15P Серия, UF15PE Серия, UF15KC Серия, UF15KCR Серия, UF15KM Серия, UF15KMR Серия, UF15KME Серия, UF15KMRE Серия, UF15AC Серия, UF15A Серия, UF13A Серия, UF12AR Серия, UF12A Серия, UF12AE Серия, UF12AM Серия, UF12BR Серия, UF12B Серия, UF92AM Серия, UF92A Серия, UF92B Серия, UF80A Серия, UF80B Серия, UF60D Серия,

Axial Fan

<u>Описание, характеристики,</u>	<u>UF25GCB Серия, UF25HC Серия, UF25GCA Серия, UF25GC Серия, UF25GCE Серия, UF22F</u>
	<u>Серия, UF20JC Серия, UF18JC Серия, UF17P Серия, UF17PC Серия, UF16FC Серия, UF15P Серия, UF15PC Серия, UF15PE</u>
	<u>Серия, UF15KC Серия, UF15KCR Серия, UF15KM Серия, UF15KMR Серия, UF15KME Серия, UF15KMRE Серия, UF15AC Серия,</u>
	<u>UF15A Серия, UF13A Серия, UF12AR Серия, UF12A Серия, UF12AE Серия, UF12AM Серия, UF12BR Серия, UF12B Серия,</u>
	<u>UF92AM Серия, UF92A Серия, UF92B Серия, UF80A Серия, UF80B Серия, UF60D Серия,</u>

Product Application:

Features:

Multiple production choice along with various CFM and RPM spec, easy for customers to choose the AC axial fan model which fits their design most.

Product Application:

- Cooling fan for power switchboard.
- Cooling fan for electrical box
- Cooling fan for inverter
- Cooling fan for UPS
- Cooling fan for various industrial equipments.
- Cooling fan for electrical generator or motors
- Cooling fan for freezer or refrigerator
- Cooling fan for stage light

Описание, характеристики, :[File Download](#)

Frame/Housing: Aluminum die-casting

Impeller: Plastic PBT PC, nylon or metal

Bearing System:	Ball bearing or sleeve bearing
Motor:	Shaded pole or capacitor start-run
Connection:	Lead wire or termnal type
Protection:	Impedance-Protected or Thermally-Protected
Dielectric withstand voltage:	Above 100MΩ,DC 500V.
Life Expectancy:	Ball bearing:Over 40,000 hr.(at 40°C) Sleeve bearing:Over 15,000 hr.(at 40°C)

Safety Approval: CUL, CE, TUV, either UL or ETL





CONFORMS TO
ANSI/UL STD 507
CERTIFIED TO
CAN/CSA C22.2
STD No. 113

Маркировка
модели

UF	12	A	(R)	11	B	T	H	N
1	2	3	4	5	6	7	8	9

1.UF:

Fulltech

2.Size:

- 12:120x120mm
- 13:127x127mm
- 92:92x92mm
- 80:80x80mm
- 15:150x172mm
- 17:172x172mm
- 25:254x254mm
- 60:60x60mm
- 16:160x160mm
- 18:180x180mm
- 20:205x205mm
- 22:∅233mm

3.Thickness:

- A:38mm
- B:25mm
- D:30mm
- G:89mm
- K:55mm
- P:51mm
- F:62mm
- J:90mm
- H:107mm

4.Special Design:

- C:Capacitor Start-run
- R:Reverse Air
- M:Metal Impeller
- CR:Capacitor Induction Motor+ Reverse Air
- MR:Metal Impeller+ Reverse Air
- E:Without Frame
- A:3 Phases

5.Input Voltage:

- 11:115V
- 23:230V
- 10:100V
- 20:200V

6.Bearing:

- B:Ball
- S:Sleeve

7.Electrical Connection:

- T:Terminal Type
- W:Lead Wire

8.Speed

- H:High
- M:Medium
- L:Low

9.Feature

- N:Motor Sealed
- D:Stator Painted
- S:Tachometer Sensor Fan
- F:Class F

Product Size:

120mm UF12AR Серия, UF12A Серия, UF12AM Серия, UF12BR Серия, UF12B Серия,

127mm UF13A Серия,

160mm UF16FC Серия,

172*150mm UF15P Серия, UF15PC Серия, UF15KC Серия, UF15KCR Серия, UF15KM Серия, UF15KMR Серия, UF15AC
Серия, UF15A Серия,

180mm UF18JC Серия,

205mm UF20JC Серия,

60mm UF60D Серия,

80mm UF80A Серия,

92.5mm UF92AM Серия,

92mm UF92A Серия, UF92B Серия,

∅112mm UF12AE Серия,

∅136mm UF15KME Серия,

∅139mm UF15KMRE Серия,

∅144mm UF15PE Серия,

∅172mm UF17P Серия, UF17PC Серия,

∅216mm UF25GCE Серия,

∅223mm UF22F Серия,

EC Fan

Описание, характеристики,

UFT12ABPB Серия, UFT15PBPB Серия, UFT60BVPB Серия, UFT200BMB Серия, UFT25GBPB

Серия,

Product Application:

Features:

Higher Efficiency and Better Energy Saving than AC fans. Also, with the protection of the electronic device, EC fan will be with longer life cycles.

Application:

- Cooling fan for Freezer or Refrigerator Equipment.
- Cooling fan for for Bakery Equipemnt.
- Cooling fan for Clean Room Equipment.
- Cooling fan for Solar System
- Cooling fan for Converter

Описание, характеристики, :[File Download](#)

Frame/Housing:	Aluminum die-casting
Impeller:	Plastic or steel
Bearing System:	Ball bearing
Motor:	Brushless DC motor
Protection:	Electronically-Protected
Insulation Resistance:	Above 10MΩ, DC500V
Dielectric withstand voltage	AC 1,500V (50/60Hz) one minute
Life Expectancy:	Ball bearing: Over 50,000 hr. (at 40°C)
Safety Approval:	CE .



Маркировка модели

UF	T12A	B	P	B	0A	M1	D	4	A
1	2	3	4	5	6	7	8	9	10

1.Model Серия, :

UF:Fulltech

2.Blade Diameter:

- Option 1). T
- T: EC Motor
- Option 2). Blank
- Option 2).
- 12A: Ø112*38mm
- 15P: Ø145*51mm
- 60B: Ø55*25mm
- 200: Ø200*76.1mm

3.Sort of Fan:

- A: Centrifugal Fan
- B: Axial Fan
- D: Blower Fan

4.Sort of Blade:

- A: Aluminum
- P: Plastic
- M: Welded Steel
- N: Pressed Steel

5.Air Check:

Centrifugal Fan

- A: Backward Curve, Single Air Intake.
- B: Forward Curve, Single Air Intake.
- C: Forward Curve, Dual Air Intake.
Axial Fan
- A: Air Discharge Out of Rotor Side
- B: Air Discharge Opposite Rotor Side
Blower Fan

- B: Forward Single Air Inlet
- C: Forward Dual Air Inlet

6.Voltage:

- 11: 115V
- 23: 230V
- 38: 380V
- 0A:115V-230V

7.Speed:

- H1: High
- M1: Medium
- L1: Low

8.Sort of Motor

- D: Single Phase EC Motor

9.Poles of Motor

- 4: 4P
- 6: 6P
- 8: 8P

10.Special Requirement

Axial Fan

- A: Standard with Frame
- E: Without Frame
- B: With Low Guard / No Frame
- C: With High Guard / No Frame

- D: With Guard & Duct Centrifugal Fan
- A: Standard
- F: With Mounting Disk

Product Size:



Cross Flow Fan

UF9060 Серия, UF9446 Серия, UF9439 Серия, UF9029 Серия, UF6036 Серия, UF6030 Серия, UF6017 Серия.

Product Application:

Features: The specific design of the cross flow fan allows it to be installed on the flat wall or equipments perfectly.

Product Application:

- Cooling fan for elevator
- Cooling fan for air inlet door
- Cooling fan for electrical switchboard
- Cooling fan for power inverter
- Cooling fan for bag machine
- Cooling fan for bakery machinery

Описание, характеристики, : [File Download](#)

Frame:	Steel with black painting
Impeller:	Plastic & Aluminum
Bearing System:	Ball bearing or sleeve bearing
Motor:	Capacitor start-run or Shaded pole
Protection:	Impedance-Protected or Thermally-Protected
Insulation Resistance:	Above 100MΩ,DC 500V.
Dielectric Withstand Voltage	AC1, 500V (50/60Hz) one minute
Safety Approval:	CE, TUV. (UF9029 has UL, CUL approval)

CE



Маркировка
модели

UF	90	29	C	B	P	12	H	L
1	2	3	4	5	6	7	8	9

1.UF:

Fulltech

2.Diameter of Roller :

- 90:Ø90mm
- 60:Ø60mm
- 94:Ø94mm

3.Length of Roller:

- 17:170mm
- 30:300mm
- 36:360mm
- 35:350mm
- 60:600mm

4.Type of Motor:

- C: Capacitor Induction
- S: Shaded Pole

5.Bearing:

- B: Ball
- S: Sleeve

6.BMaterial of Roller:

- P: Plastic
- A: Aluminum

7.Input Voltage

- 12:120V
- 23:230V

8.Speed

- H: High
- M: Medium
- L: Low

9.Position of Motord

- L: Left
- R: Right

Product Size:

UF6036 Серия, UF6030 Серия, UF6017 Серия,

External Rotor Axial Fan

UF300BNA Серия, UF250BMB Серия, UF250BMB-E Серия, UF250BMB-B Серия, UF250BMA Серия, UF200BMB Серия, UF200BMB-E Серия, UF200BMB-B Серия, UF200BMA Серия, UF180BAB Серия,

Product Application:

Features: The external rotor fan is with higher CFM and faster RPM than traditional AC fan. The metal blades design fits better for the industrial application.

Product Application:

- Cooling fan for power switchboard
- Cooling fan for electrical box
- Cooling fan for power inverter
- Cooling fan for UPS
- Cooling fan for Solar System
- Cooling fan for vending machine
- Cooling fan for cleaning room equipments

Описание, характеристики, :[File Download](#)

Frame/Housing: Aluminum die-casting

Impeller: Plastic or steel

Bearing System: Ball bearing

Motor: Shaded pole or capacitor start-run

Protection: Impedance-Protected or Thermally-Protected or Electronically-Protected

Insulation Resistance: Above 100MΩ, DC500V.

Dielectric withstand voltage: AC 1,500V (50/60Hz) one minute

Life Expectancy: Ball bearing: Over 40,000 hr. (at 40°C)

Safety Approval: CUL, CE, TUV, either UL or ETL.





CONFORMS TO
ANSI/UL STD 507
CERTIFIED TO
CAN/CSA C22.2
STD No. 113

Вентилятор FULLTECH UF15A23BTH
Вентилятор: AC; осевой; 230В, 230vac, 220vac
 fulltech fe 5w30 , fulltech uf-15pc23-bth , fulltech electri
 fulltech uf-15pc23 , full tech , fulltech uf12a23
 fulltech uf-12a02 , fulltech uf-80a23 bth

EC Fan, Axial Fan, Cross Flow Fan, External Rotor Axial Fan, Duct Fan, Roof Fan, Accessories

Маркировка
модели

UF	220	A	P	A	11	H1	C	2	A
1	2	3	4	5	6	7	8	9	10

1.Model Серия, :

UF:Fulltech

2.Blade Diameter:

- Option 1). E
- E: EC Motor
- Option 2). Blank
- 133(72):133mm(72mm Thick)
- 133(91):133mm(91mm Thick)
- 175: 175mm
- 180: 180mm
- 180(55):180mm(55mm Thick)
- 190: 190mm
- 220: 220mm
- 225(99):225mm(99mm Thick)
- 225(85):225mm(85mm Thick)
- 225(69):225mm(69mm Thick)
- 250: 250mm
- 318: 318mm
- 300: 300mm
- 360: 360mm
- 400: 400mm

- 12A: Ø112*38mm
- 15P: Ø145*51mm

3.Sort of Fan:

- A: Centrifugal Fan
- B: Axial Fan
- D: Blower Fan

4.Sort of Blade:

- A: Aluminum
- P: Plastic
- M: Welded Steel
- N: Pressed Steel

5.Air Check:

Centrifugal Fan

- A: Backward Curve, Single Air Intake.
- B: Forward Curve, Single Air Intake.
- C: Forward Curve, Dual Air Intake.
Axial Fan
- A: Air Discharge Out of Rotor Side
- B: Air Discharge Opposite Rotor Side
Blower Fan
- B: Forward Single Air Inlet
- C: Forward Dual Air Inlet

6.Voltage:

- 11: 115V
- 23: 230V
- 38: 380V
- OA:115V-230V

7.Speed:

- H1: High
- M1: Medium
- L1: Low

8.Sort of Motor

- A: 3 Phases
- S: Shaded Pole
- C: Capacitor Run Motor
- D: Single Phase EC Motor

9.Poles of Motor

- 2: 2P
- 4: 4P
- 6: 6P

10.Special Requirement

Axial Fan

- A: Standard with Frame
- E: Without Frame
- B: With Low Guard / No Frame
- C: With High Guard / No Frame
- D: With Guard & Duct
Centrifugal Fan
- A: Standard
- F: With Mounting Disk

Product Size:

[UF200BMB Серия, UF200BMA Серия.](#)

[UF250BMB Серия, UF250BMA Серия.](#)

[UF180BAB Серия.](#)

[UF200BMB-E Серия.](#)

[UF200BMB-B Серия.](#)

[UF250BMB-E Серия.](#)

[UF250BMB-B Серия.](#)

Duct Fan

DF200P Серия, DF150P Серия,

Product Application:

Features: Duct fan is an application of the axial fan. The air flow will be more focus by adding the windshield.

Product Application:

- Cooling fan for ventilation system
- Ventilation fan for malls
- Ventilation fan for tunnel working environment
- Ventilation fan for house

Описание, характеристики, : [File Download](#)

Frame/Housing:	Plastic
Impeller:	Plastic
Bearing System:	Ball bearing
Motor:	Capacitor run motor
Connection:	Lead wire or termnal type
Protection:	Thermally-Protected
Insulation Resistance:	Above 100MΩ,DC 500V.
Life Expectancy:	Over 40,000 hrs.(at 40°C)
Safety Approval:	CE



Маркировка модели

DF	150	P	23	B	W	H/L
1	2	3	4	5	6	7

1.Model Серия, :

DF: DUCT FAN

2.Blade Diameter:

- 150:Ø 150mm
- 200:Ø 200mm

3.Material of Frame:

- P: Plastic

4.Voltage:

- 11:115V
- 23:230V

5.Bearing :

- B:Ball
- S:Sleeve

6.Electrical Connection:

- T:Terminal Type

- W:Lead Wire
7.Speed:
- H/L: Dual Speed (Standard)

Product Size:

DF150P Серия,

DF200P Серия,

Roof Fan

RF190APA Серия,

Product Application:

Features: Fulltech Duct Fan motor is same as centrifugal fan which fits the need for ventilation system in house

Product Application:

- Duct ventilation fan for house
- Duct ventilation fan for mall

Описание, характеристики, : [File Download](#)

Frame/Housing:	Plastic
Impeller:	Plastic
Bearing System:	Ball bearing
Motor:	Capacitor run motor
Protection:	Thermally-Protected
Insulation Resistance:	Above 100MΩ, DC500V.
Life Expectancy:	AC 1,500V (50/60Hz) one minute
Safety Approval:	CE



Маркировка модели

RF	190	A	P	A	11	H1	C	2	A
1	2	3	4	5	6	7	8	9	10

1.Model of Серия, :

RF: ROOF FAN

2.Blade Diameter:

190: Ø190mm

3.Sort of Fan:

A: Centrifugal Fan

4.Sort of Blade:

P: Plastic

5.Air Direction:

- A: Backward Curve
- Single Air Intake

6.Voltage:

- 11: 115V
- 23: 230V

7.Speed:

- H1: High

8.Sort of Motor:

- C: Capacitor Run Motor

9.Poles of Motor

- 2: 2P

10.Special Requirement

- A: Standard

Product Size:

RF190APA Серия,

Centrifugal Fan

UF400AAA Серия, UF360AAA Серия, UF318AAA Серия, UF250APA Серия, UF250APA-F Серия, UF225(99)APA Серия, UF225(99)APA-F Серия, UF225(85)APA Серия, UF225(69)APA Серия, UF220APA Серия, UF220APA-F Серия, UF190APA Серия, UF190APA-F Серия, UF175AMA Серия, UF180APA Серия, UF180(55)APA Серия, UF133(91)APA Серия, UF133(72)APA Серия.

Product Application:

Features: The special design on the inlet and outlet of the centrifugal fan are suitable for the customers with the special requirement on their industrial machine.

Product Application:

- Cooling fan for electrical box
- Cooling fan for UPS
- Cooling fan for heat exchanging machine
- Cooling fan for CNC machinery
- Cooling fan for air purifier
- Cooling fan for dehumidifier
- Cooling fan for solar system equipment

Описание, характеристики, :[File Download](#)

Frame/Housing: Aluminum die-casting

Impeller: Plastic or steel

Bearing System: Ball bearing

Motor: Shaded pole or capacitor start-run

Protection: Impedance-Protected or Thermally-Protected or Electronically-Protected

Insulation Resistance: Above 100MΩ, DC500V.

Dielectric withstand voltage AC 1,500V (50/60Hz) one minute

Life Expectancy: Ball bearing: Over 40,000 hr. (at 40°C)

Safety CUL, CE, TUV, either UL or ETL.

Approval:



CONFORMS TO
ANSI/UL STD 507
CERTIFIED TO
CAN/CSA C22.2
STD No. 113

Маркировка UF220APA11H1C2A
модели 1 2 3 4 5 6 7 8 9 10

1. Model Серия, :

UF: Fulltech

2. Blade Diameter:

- Option 1). E
- E: EC Motor
- Option 2). Blank
- 133(72):133mm(72mm Thick)
- 133(91):133mm(91mm Thick)
- 175: 175mm

- 180: 180mm
- 180(55):180mm(55mm Thick)
- 190: 190mm
- 220: 220mm
- 225(99):225mm(99mm Thick)
- 225(85):225mm(85mm Thick)
- 225(69):225mm(69mm Thick)
- 250: 250mm
- 318: 318mm
- 300: 300mm
- 360: 360mm
- 400: 400mm

3.Sort of Fan:

- A: Centrifugal Fan
- B: Axial Fan
- D: Blower Fan

4.Sort of Blade:

- A: Aluminum
- P: Plastic
- M: Welded Steel
- N: Pressed Steel

5.Air Check:

Centrifugal Fan

- A: Backward Curve, Single Air Intake.
- B: Forward Curve, Single Air Intake.
- C: Forward Curve, Dual Air Intake.
Axial Fan
- A: Air Discharge Out of Rotor Side
- B: Air Discharge Opposite Rotor Side
Blower Fan
- B: Forward Single Air Inlet
- C: Forward Dual Air Inlet

6.Voltage:

- 11: 115V
- 23: 230V
- 38: 380V
- OA:115V-230V

7.Speed:

- H1: High
- M1: Medium
- L1: Low

8.Sort of Motor

- A: 3 Phases
- S: Shaded Pole
- C: Capacitor Run Motor
- D: Single Phase EC Motor

9.Poles of Motor

- 2: 2P
- 4: 4P
- 6: 6P

10.Special Requirement

Axial Fan

- A: Standard with Frame
- E: Without Frame
- B: With Low Guard / No Frame
- C: With High Guard / No Frame
- D: With Guard & Duct
Centrifugal Fan
- A: Standard
- F: With Mounting Disk

Product Size:

UF133(91)APA Серия, UF133(72)APA Серия,

UF175AMA Серия,

UF180APA Серия, UF180(55)APA Серия,

UF190APA Серия,

UF220APA Серия,

UF225(99)APA Серия, UF225(85)APA Серия, UF225(69)APA Серия,

UF190APA-F Серия,

UF250APA Серия,

UF250APA-F Серия, UF225(99)APA-F Серия, UF220APA-F Серия,

UF318AAA Серия,

UF360AAA Серия,

UF400AAA Серия,

Blower Fan

UF160DPB Серия, UF90DPB Серия,

Product Application:

Features: Fulltech's blowers are with the same motor design as centrifugal fan, the blowing direction will be more corcus and stronger.
Product Application:

- Cooling fan for electrical box
- Cooling fan for ventilation system
- Cooling fan for ventilation in tunnel working environment
- Cooling fan for ventilation in house

Описание, характеристики, : [File Download](#)

Frame/Housing: Aluminum die-casting

Impeller: Plastic or steel

Bearing System: Ball bearing

Motor: Shaded pole or capacitor start-run

Protection: Impedance-Protected or Thermally-Protected or Electronically-Protected

Insulation Resistance: Above 100MΩ, DC500V.

Dielectric withstand voltage AC 1,500V (50/60Hz) one minute

Life Expectancy: Ball bearing: Over 40,000 hr. (at 40°C)

Safety Approval: CUL, CE, TUV, either UL or ETL.

RU[®]
E136370

C **RU**[®] **US**
E136370

CE



CONFORMS TO
ANSI/UL STD 507
CERTIFIED TO
CAN/CSA C22.2
STD No. 113

Маркировка UF220APA11H1C2A
модели 1 2 3 4 5 6 7 8 9 10

1. Model Серия, :

UF: Fulltech

2. Blade Diameter:

- Option 1). E
- E: EC Motor
- Option 2). Blank
- 133(72):133mm(72mm Thick)
- 133(91):133mm(91mm Thick)
- 175: 175mm

- 180: 180mm
- 180(55):180mm(55mm Thick)
- 190: 190mm
- 220: 220mm
- 225(99):225mm(99mm Thick)
- 225(85):225mm(85mm Thick)
- 225(69):225mm(69mm Thick)
- 250: 250mm
- 318: 318mm
- 300: 300mm
- 360: 360mm
- 400: 400mm
- 12A: Ø112*38mm
- 15P: Ø145*51mm

3.Sort of Fan:

- A: Centrifugal Fan
- B: Axial Fan
- D: Blower Fan

4.Sort of Blade:

- A: Aluminum
- P: Plastic
- M: Welded Steel
- N: Pressed Steel

5.Air Check:

Centrifugal Fan

- A: Backward Curve, Single Air Intake.
- B: Forward Curve, Single Air Intake.
- C: Forward Curve, Dual Air Intake.
Axial Fan
- A: Air Discharge Out of Rotor Side
- B: Air Discharge Opposite Rotor Side
Blower Fan
- B: Forward Single Air Inlet
- C: Forward Dual Air Inlet

6.Voltage:

- 11: 115V
- 23: 230V
- 38: 380V
- OA:115V-230V

7.Speed:

- H1: High
- M1: Medium
- L1: Low

8.Sort of Motor

- A: 3 Phases
- S: Shaded Pole
- C: Capacitor Run Motor
- D: Single Phase EC Motor

9.Poles of Motor

- 2: 2P
- 4: 4P
- 6: 6P

10.Special Requirement

Axial Fan

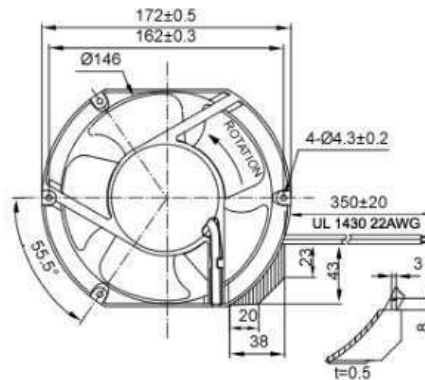
- A: Standard with Frame
- E: Without Frame
- B: With Low Guard / No Frame
- C: With High Guard / No Frame
- D: With Guard & Duct
Centrifugal Fan
- A: Standard
- F: With Mounting Disk

Product Size:

UF15PC Серия,



Thermally-Protected



Terminal or Lead Wire Type

Model	UF15PC10-H
Rated Voltage	110 V
Frequency	50/60 Hz
Input Power	30/30 W
Rated Current	0.33/0.29 A
Locked Current	0.5/0.52 A
Speed	2850/3400 RPM
Maximum Air Flow	5.8/6.4 m ³ /min.
Maximum Air Flow	205/226 CFM
Maximum Pressure	16/20 mmH ₂ O
Maximum Pressure	0.63/0.79 InchH ₂ O
Noise	53/58 dB
Weights	0.8 kg

Model	UF15PC11-H
Rated Voltage	115 V
Frequency	50/60 Hz
Input Power	31/31 W
Rated Current	0.26/0.25 A

Model	UF15PC11-H
Locked Current	0.41/0.43 A
Speed	2850/3400 RPM
Maximum Air Flow	5.8/6.4 m/min.
Maximum Air Flow	205/226 CFM
Maximum Pressure	16/20 mmH2O
Maximum Pressure	0.63/0.79 InchH2O
Noise	53/58 dB
Weights	0.8 kg

Model	UF15PC11-L
Rated Voltage	115 V
Frequency	50/60 Hz
Input Power	31/31 W
Rated Current	0.17/0.15 A
Locked Current	0.21/0.2 A
Speed	1400/1700 RPM
Maximum Air Flow	2.5/3 m/min.
Maximum Air Flow	88/106 CFM
Maximum Pressure	3.8/5.5 mmH2O
Maximum Pressure	0.15/0.22 InchH2O
Noise	31/37 dB
Weights	0.8 kg

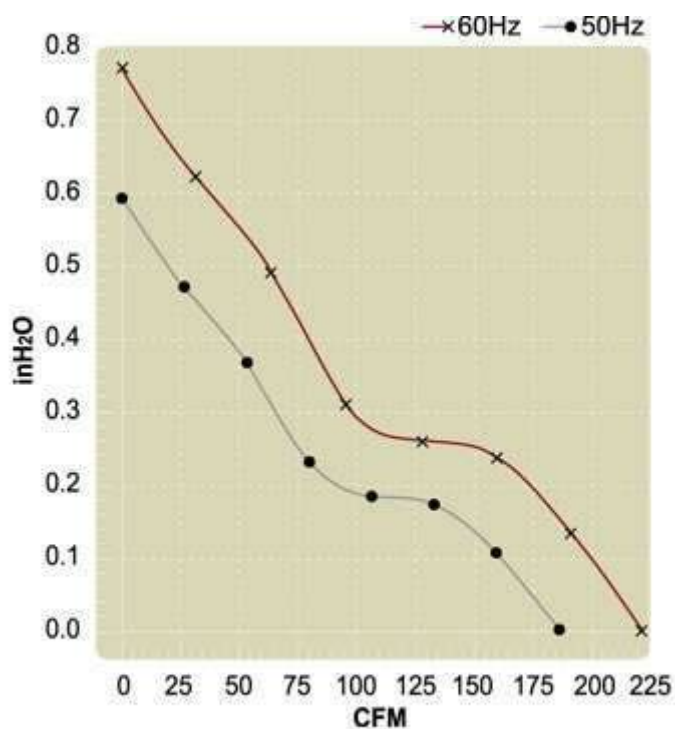
Model	UF15PC20-H
Rated Voltage	200 V
Frequency	50/60 Hz
Input Power	29/29 W
Rated Current	0.15/0.14 A

Model	UF15PC20-H
Locked Current	0.23/0.25 A
Speed	2850/3400 RPM
Maximum Air Flow	5.8/6.4 m ³ /min.
Maximum Air Flow	205/226 CFM
Maximum Pressure	16/20 mmH ₂ O
Maximum Pressure	0.63/0.79 InchH ₂ O
Noise	53/58 dB
Weights	0.8 kg

Model	UF15PC23-H
Rated Voltage	230 V
Frequency	50/60 Hz
Input Power	29/29 W
Rated Current	0.12/0.12 A
Locked Current	0.19/0.19 A
Speed	2850/3400 RPM
Maximum Air Flow	5.8/6.4 m ³ /min.
Maximum Air Flow	205/226 CFM
Maximum Pressure	16/20 mmH ₂ O
Maximum Pressure	0.63/0.79 InchH ₂ O
Noise	53/58 dB
Weights	0.8 kg

Model	UF15PC23-L
Rated Voltage	230 V
Frequency	50/60 Hz
Input Power	29/29 W
Rated Current	0.08/0.07 A

Model	UF15PC23-L
Locked Current	0.09/0.09 A
Speed	1400/1700 RPM
Maximum Air Flow	2.5/3 m ³ /min.
Maximum Air Flow	88/106 CFM
Maximum Pressure	3.8/5.5 mmH ₂ O
Maximum Pressure	0.15/0.22 InchH ₂ O
Noise	31/37 dB
Weights	0.8 kg



Safety Approval :



RU[®]
E136370

CE



[каталог](#)

[как купить в Минске Беларусь](#)

Вентилятор FULLTECH UF15A23BTH
Вентилятор: AC; осевой; 230В, 230vac, 220vac

fulltech fe 5w30 , fulltech uf-15pc23-bth , fulltech electric
fulltech uf-15pc23 , full tech , fulltech uf12a23
fulltech uf-12a02 , fulltech uf-80a23 bth

 EC Fan	 Axial Fan	 Cross Flow Fan
 External Rotor Axial Fan	 Duct Fan	 Roof Fan
 Accessories		 Accessories

Беларусь
Минск
www.fotorele.net
www.tiristor.by
email: minsk17@tut.by
tel. +375447584780

QR код

