

Вентилятор ebmpapst, купить в Минске tel. +375447584780

[www.fotorele.net](http://www.fotorele.net) [www.tiristor.by](http://www.tiristor.by) радиодетали, электронные компоненты

email [minsk17@tut.by](mailto:minsk17@tut.by) tel.+375 29 758 47 80 МТС

[ebm papst, аналог, замена , Минске, каталог, описание, технические, характеристики, datasheet,](#)  
[параметры, маркировка,габариты, фото,](#) [QR код](#)



[www.tiristor.by](http://www.tiristor.by)

**ebm-papst Mulfingen GmbH & Co. KG**

Bachmühle 2

D-74673 Mulfingen

Phone: +49(0)7938/81-0

Fax: +49(0)7938/81-110

info1@de.ebmpapst.com

www.ebmpapst.com

**Nominal data**

<b>Type</b>	<b>W2S130-AA25-01</b>		
<b>Motor</b>	<b>M2S052-CA</b>		
Phase		1~	1~
Nominal voltage	[V]	115	115
Frequency	[Hz]	50	60
Type of data definition		rfa	rfa
Valid for approval / standard		CE	CE
Speed	[min <sup>-1</sup> ]	2800	3250
Power input	[W]	41	38
Current draw	[A]	0.56	0.47
Max. back pressure	[Pa]	80	120
Max. ambient temperature	[°C]	50	70

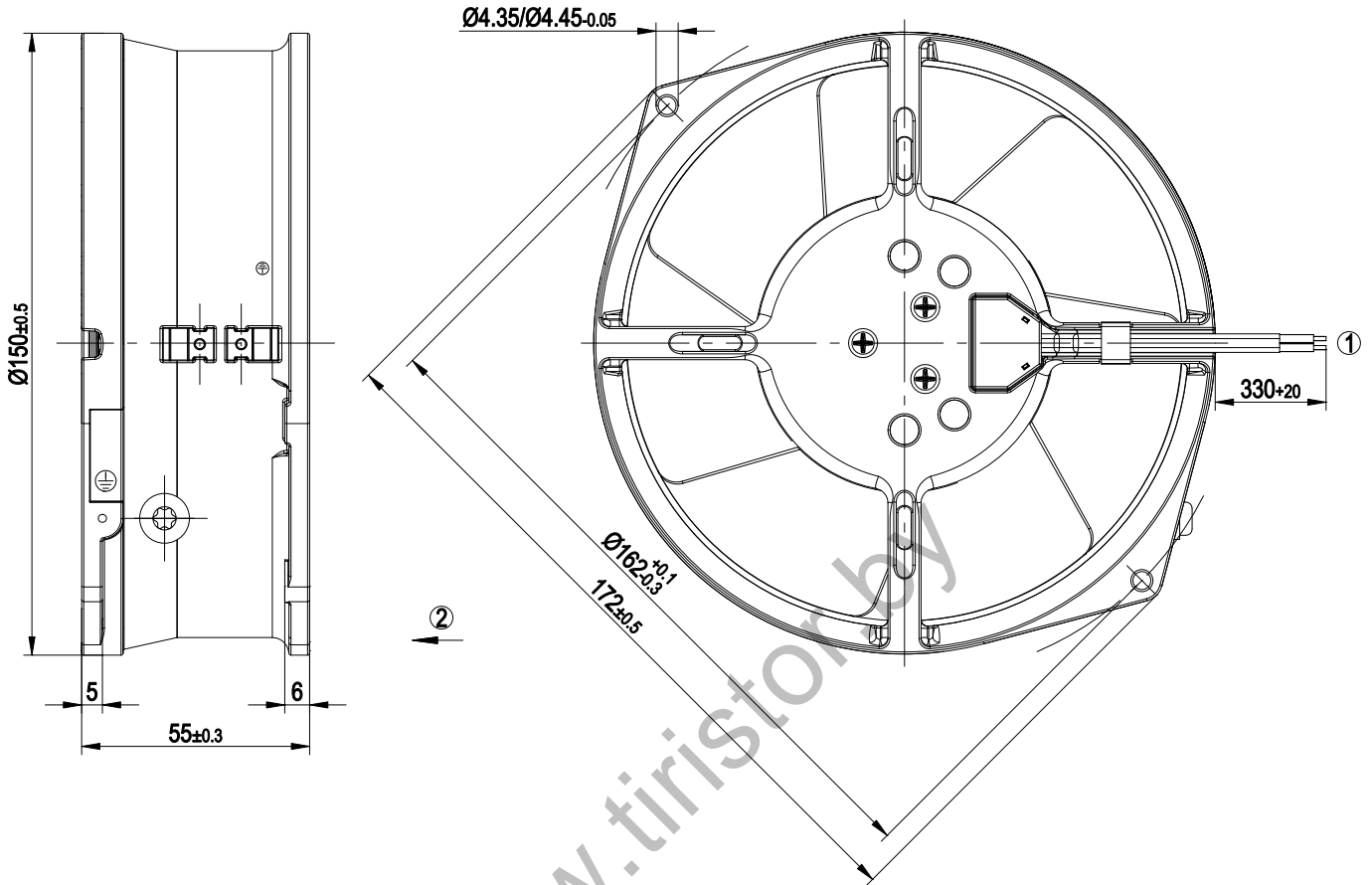
ml = max. load · me = max. efficiency · rfa = running at free air · cs = customer specs · cu = customer unit  
 Subject to alterations

www.tiristor.by

## Technical features

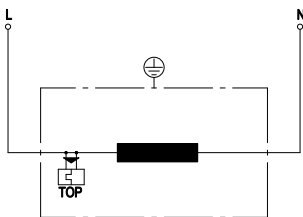
Leakage current	< 0.75 mA
Size	130 mm
Operation mode	S1
Direction of rotation	Counter-clockwise, seen on rotor
Mounting position	Any
Direction of air flow	"V"
Insulation class	"B"
Condensate discharge holes	None
Bearing motor	Ball bearing
Mass	1.1 kg
Housing material	Die-cast aluminum, coated in black
Material of impeller	Sheet steel, coated in black
Motor protection	Thermal overload protector (TOP) wired internally
Product conforming to standard	CE
Number of blades	7
Type of protection	IP 20
Protection class	I
Max. permissible ambient motor temp. (transp./ storage)	+ 80 °C
Min. permissible ambient motor temp. (transp./storage)	- 40 °C
Approval	CCC; CSA C22.2 Nr.113; GOST; UL 507; VDE

## Product drawing



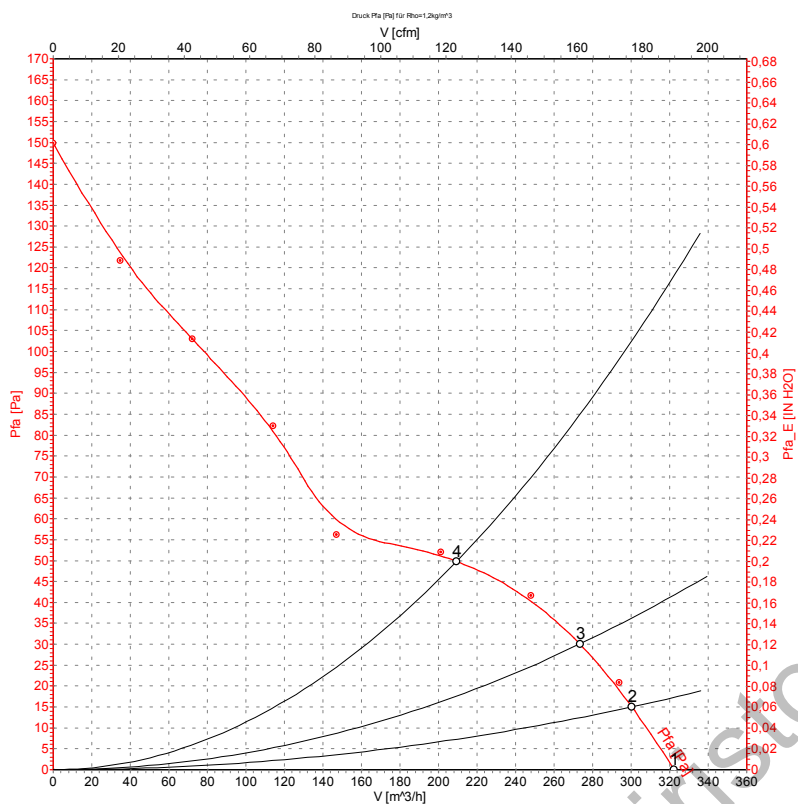
- |   |   |
|---|---|
| 1 | Connection line AWG 20, 2 x brass lead tips crimped |
| 2 | Direction of air flow "V"                           |

## Connection screen



- |     |                              |
|-----|------------------------------|
| L   | = black                      |
| N   | = black                      |
| TOP | = Thermal overload protector |

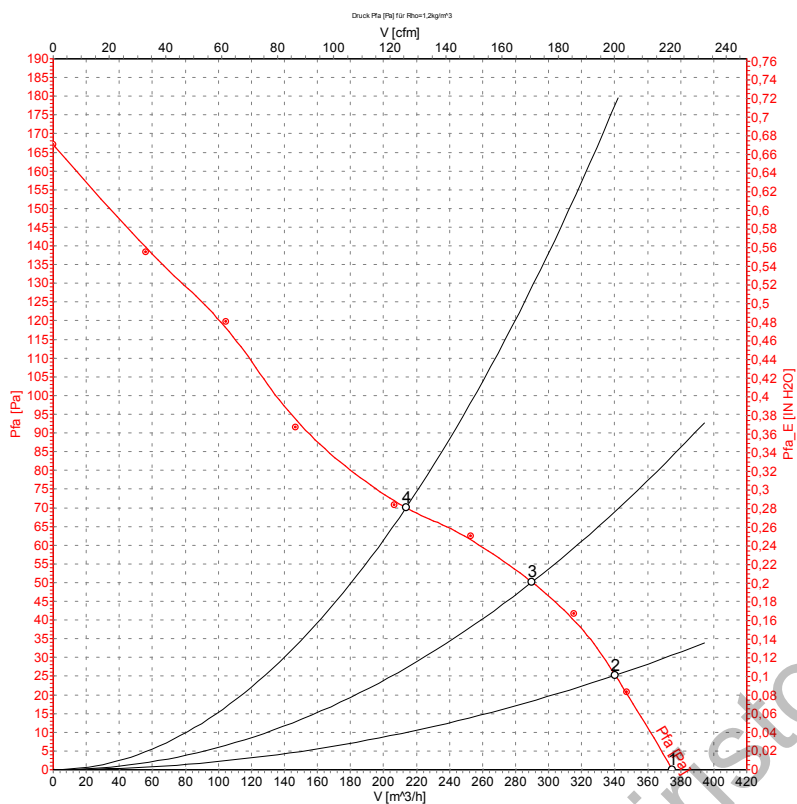
## Charts: Air flow 50 Hz



### Measured values

	U	f	n	P <sub>1</sub>	I	$\hat{V}$	P <sub>fa</sub>
	[V]	[Hz]	[min <sup>-1</sup> ]	[W]	[A]	[m <sup>3</sup> /h]	[Pa]
1	115	50	2815	41	0.56	325	0
2	115	50	2805	42	0.56	300	15
3	115	50	2795	42	0.57	275	30
4	115	50	2790	43	0.57	210	50

## Charts: Air flow 60 Hz



Measurement: LU-58323

### Measured values

	U	f	n	P <sub>1</sub>	I	$\hat{V}$	P <sub>fa</sub>
	[V]	[Hz]	[min <sup>-1</sup> ]	[W]	[A]	[m <sup>3</sup> /h]	[Pa]
1	115	60	3250	38	0.47	380	0
2	115	60	3210	40	0.48	340	25
3	115	60	3180	41	0.48	290	50
4	115	60	3180	41	0.48	215	70

Вентилятор ebmpapst, купить в Минске tel. +375447584780

[www.fotorele.net](http://www.fotorele.net) [www.tiristor.by](http://www.tiristor.by) радиодетали, электронные компоненты

email [minsk17@tut.by](mailto:minsk17@tut.by) tel.+375 29 758 47 80 МТС

[ebm papst, аналог, замена , Минске, каталог, описание, технические, характеристики, datasheet,](#)  
[параметры, маркировка,габариты, фото,](#) [QR код](#)



[www.tiristor.by](http://www.tiristor.by)