

реле v23072-c1061-a308 тел +375447584780

Минск www.fotorele.net www.tiristor.by радиодетали, электронные компоненты
email minsk17@tut.by тел +375297584780 МТС

подробно смотрите ниже: [каталог](#), [описание](#), [технические](#), [характеристики](#), [datasheet](#), [параметры](#), [маркировка](#), [габариты](#), [фото](#)
QR код



v23072-c1061-a308



v23072-c1061-a308 аналог
v23072-c1061-a308 siemens реле автомобильное купить
v23072-c1061-a308 купить
v23072-c1061-a308 siemens
v23072-c1061-a308 купить
v23072-c1061-a308 siemens реле автомобильное
v23072-c1061-a308 купить в Минске
v23072-c1061-a308 купить в Беларуси
реле v23072-c1061-a308

Беларусь Минск

www.tiristor.by

Mini power relay K (open and sealed)



Description

Features

- 60% smaller volume than power relay K
- High switching capacity
- Small footprint, minimal space requirements

Typical applications

- Lamp control circuits
- Indicator control circuits
- Sunroof motors
- Window motors
- Immobilizers
- Central doorlock etc.
- Also available for 42 V applications

Please contact Tyco Electronics for relay application support.



72A_3d01 / 72C_3d01

Design

Open or sealed;
sealed version: sealing in accordance with IEC 68;
immersion cleanable: protection class IP 67 to IEC 529 (EN 60 529)

Weight

Approx. 0.28 oz. (8 g) open version
Approx. 0.32 oz. (9 g) sealed version

Nominal voltage

12 V or 24 V;
other nominal voltages on request

Terminals

PCB terminals, for assembling in printed circuit boards
Terminals in grid 0.049 ... 0.050" (1.25 ... 1.27 mm)

Conditions

All parametric, environmental and endurance tests are performed according to EIA Standard RS-407-A at standard test conditions unless otherwise noted:
23 °C ambient temperature, 20-50% RH, 29.5 ± 1.0" Hg (998.9 ± 33.9 hPa).
Please also refer to the Application Recommendations in this catalog for general precautions.

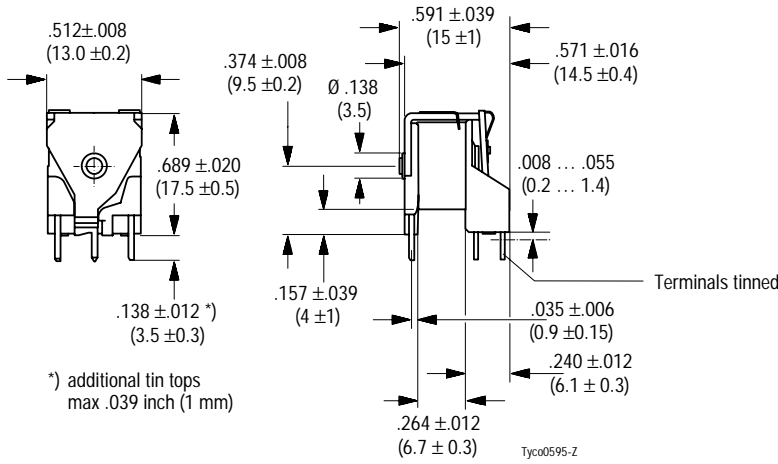
Disclaimer

All technical performance data apply to the relay as such, specific conditions of the individual application are not considered. Please always check the suitability of the relay for your intended purpose. We do not assume any responsibility or liability for not complying herewith. We recommend to complete our questionnaire and to request our technical service. Any responsibility for the application of the product remains with the customer only. All specifications are subject to change without notification. All rights of Tyco are reserved.

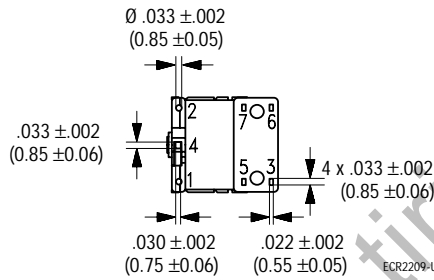
Mini power relay K (open)

Dimensional drawing

Open version



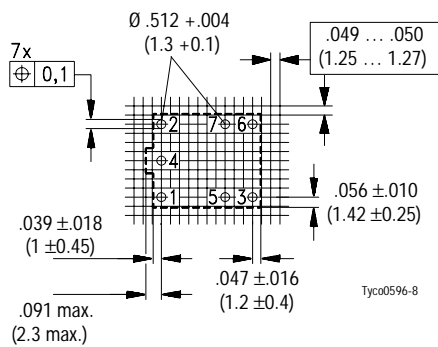
View of the terminals (Bottom view)



Mounting holes

View of the terminals (Bottom view)

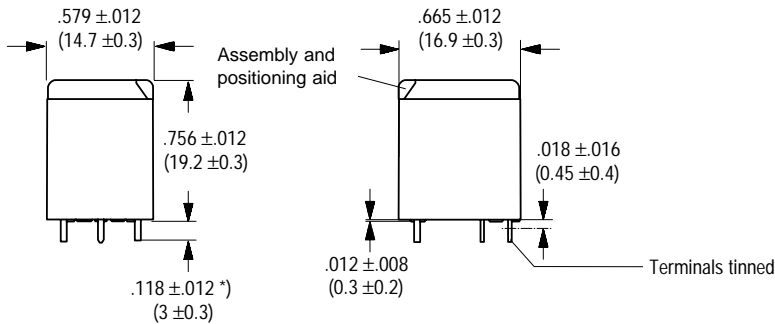
Grid 0.049 ... 0.050" (1.25 ... 1.27 mm)



Mini power relay K (sealed)

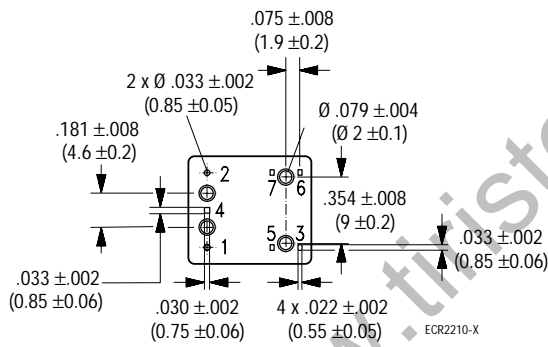
Dimensional drawing

Sealed version



*) additional tin tops
max .039 inch (1 mm)

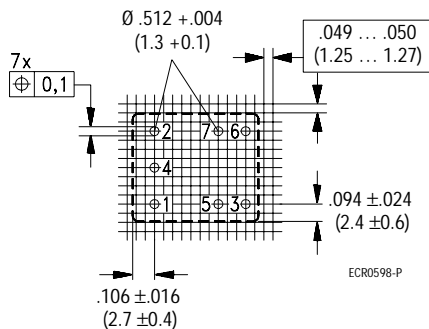
View of the terminals (Bottom view)



Mounting holes

View of the terminals (Bottom view)

Grid 1.25 ... 1.27 mm



Mini power relay K (open and sealed)

Contact data

| Typical areas of application | Resistive / inductive loads | | | Indicator lamps | |
|--|--|-------------------------------|--------------------------------|---|---|
| | Make contact/ Form A | Changeover contact/ Form C | Double make contact/ Form U | Make contact/ Form A | Double make contact/ Form U |
| Contact configuration | | | | | |
| Circuit symbol (see also Pin assignment) | | | | | |
| Rated voltage | 12 V | | | | |
| Rated current at 85 °C | 10 A | 5 A/10 A | 2 x 6 A | 5 A | 2 x 5 A |
| Contact material | AgNi0.15 | | | AgSnO ₂ | |
| Max. switching voltage/power | See load limit curve | | | | |
| Max. switching current ¹⁾ | | | | | |
| On ²⁾ | 60 A | NC/NO 12 A/60 A | 2 x 40 A | 60 A ³⁾ | 120 A ³⁾ |
| Off | 20 A | 10 A/20 A | 2 x 20 A | 6 A | 12 A |
| Min. recommended load ⁵⁾ | 1 A at 5 V | | | | |
| Voltage drop at 10 A (initial) for NC/NO contacts | Typ. 50 mV, 300 mV max. | | Typ. 2 x 50 mV, 300 mV max. | | Typ. 150 mV, 300 mV max. |
| Mechanical endurance (without load) | > 10 ⁷ operations | | | | |
| Electrical endurance (example of resistive load) | > 2 x 10 ⁵ operations 10 A, 13.5 V | | | > 1,5 x 10 ⁶ operations up to 3 x 21 W | > 1,5 x 10 ⁶ operations up to 6 x 21 W |

¹⁾ The values apply to a resistive load or inductive load with suitable spark suppression.

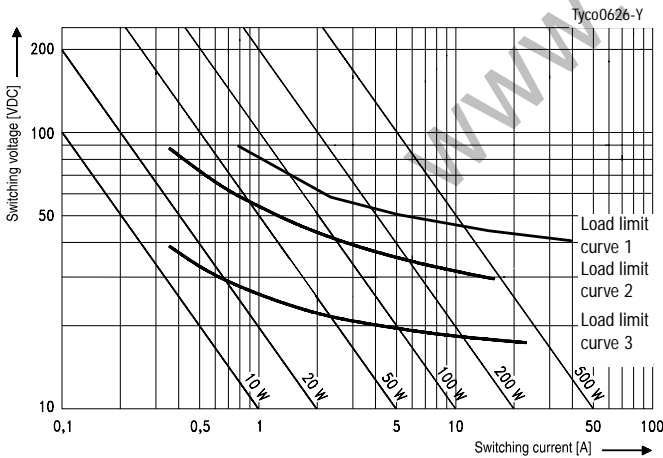
²⁾ For a load current duration of maximum 3 s for a make/break ratio of 1:10.

³⁾ Corresponds to the peak inrush current on initial actuation (cold filament).

⁴⁾ At 50 % ON period

⁵⁾ See chapter Diagnostics in our Application Recommendations on page 18.

Load limit curve



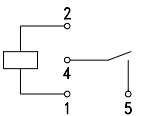
Load limit curve 1 ≙ safe shutdown, connected as form X, load on pin 5 and 7

Load limit curve 2 ≙ safe shutdown, no stationary arc / make contact

Load limit curve 3 ≙ arc extinguishes during transit time (changeover contact)

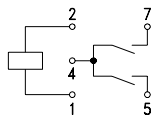
Pin assignment (open and sealed)

1 make contact/
1 form A



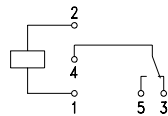
ECR1111 - U

1 double make contact/
1 form U



ECR1116 - 1

1 changeover contact/
1 form C



ECR1077 - B

Mini power relay K (open and sealed)

Coil data

| | |
|---|--------------------------------------|
| Available for nominal voltages | 12, 24 V (other coils on request) |
| Nominal power consumption of the unsuppressed coil at nominal voltage | 1.1 W |
| Test voltage winding/contact | 500 VAC _{rms} |
| Maximum ambient temperature range ¹⁾ | - 40 to + 85 °C |
| Operate time at nominal voltage ²⁾ | Typ. 3 ms |
| Release time at nominal voltage | Typ. 1.5 ms |

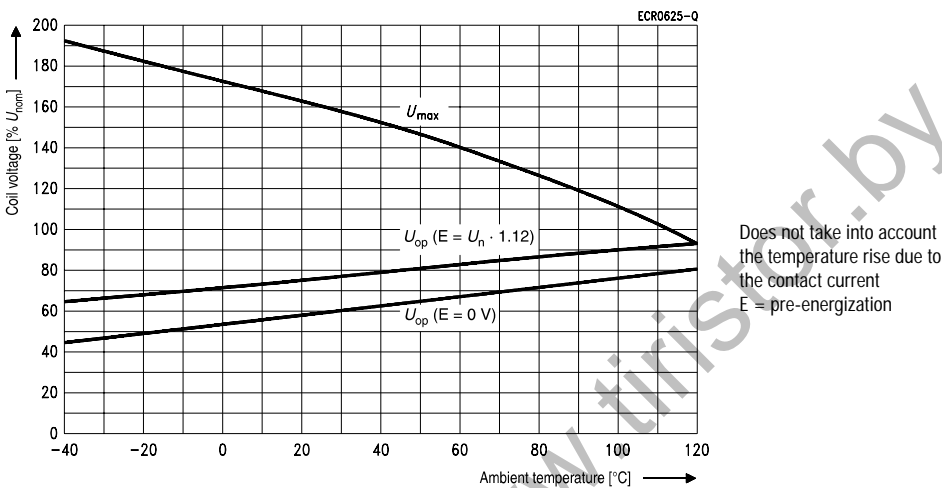
¹⁾ See also operating voltage range diagram

²⁾ Measured at nominal voltage without coil suppression unit

N.B.

A low resistive suppression device in parallel to the relay coil increases the release time and reduces the lifetime caused by increased erosion and/or higher risk of contact tack welding.

Operating voltage range



Mechanical data

| | |
|-----------|---|
| Enclosure | Sealed relay is suitable for immersion cleaning of PCB assembly or conformal coating. |
| Sealed | Please refer to the Application Recommendations in this catalog. |

Operating conditions

| Temperature range, storage | -40 °C to 155 °C | | | |
|--|--|----------------|------------------------------|--|
| Test | Relevant standard | Testing as per | Dimension | Comments |
| Climatic cycling with condensation ¹⁾ | EN ISO 6988 | | 20 cycles | Storage 8/16 h |
| Temperature cycling ¹⁾ | IEC 68-2-14 | Na | 20 cycles | - 40/+ 85 °C (dwell time 1 h) |
| Damp heat ¹⁾ | | | | |
| constant | IEC 68-2-3 | Ca | 56 days | Upper air temperature 55 °C |
| Corrosive gas ¹⁾ | IEC 68-2-42 IEC 68-2-43 | - | 10 days 10 days | |
| Vibration resistance | IEC 68-2-6 (sine pulse form) acceleration, acc. to position | | 10 ... 200 Hz 23 ... 35 g | No change in the switching state > 10 μs |
| Shock resistance | IEC 68-2-27 (half-sine pulse form) acceleration | | 4 ... 6 ms 23 ... 280 g | No change in the switching state > 10 μs |
| Solderability | IEC 68-2-20 | Ta, Method 1 | | Aging 3 (4 h/155 °C) Dewetting |
| Resistance to soldering heat | IEC 68-2-20 | Tb, Method 1A | | 10 s ± 1 s with thermal screen |
| Sealing ¹⁾ | IEC 68-2-17 | Qc, Method 2 | | 1 min / 70 °C |
| Flammability | UL94-HB | | | |

¹⁾ only sealed version

Mini power relay K (open and sealed)

Ordering information

| Part numbers (see table below for coil data) | | Contact arrangement | Contact material | Enclosure | Terminals |
|---|-------------------|---------------------|------------------|-----------|-----------------|
| Relay part number | Tyco order number | | | | |
| V23072-A1061-A303 | 3-1393272-2 | Form C | AgNi0.15 | Open | Printed circuit |
| V23072-A1062-A303 | 5-1393272-2 | Form C | AgNi0.15 | Open | Printed circuit |
| V23072-A1061-A308 | 3-1393272-6 | Form U, X | AgNi0.15 | Open | Printed circuit |
| V23072-A1062-A308 | 5-1393272-3 | Form U, X | AgNi0.15 | Open | Printed circuit |
| V23072-C1061-A302 | 4-1393273-9 | Form A | AgNi0.15 | Sealed | Printed circuit |
| V23072-C1062-A302 | 7-1393273-6 | Form A | AgNi0.15 | Sealed | Printed circuit |
| V23072-C1061-A303 | 5-1393273-0 | Form C | AgNi0.15 | Sealed | Printed circuit |
| V23072-C1062-A303 | 7-1393273-8 | Form C | AgNi0.15 | Sealed | Printed circuit |
| V23072-C1061-A308 | 6-1393273-0 | Form U, X | AgNi0.15 | Sealed | Printed circuit |
| V23072-C1062-A308 | 8-1393273-2 | Form U, X | AgNi0.15 | Sealed | Printed circuit |
| V23072-C1061-A402 | 2-1416001-0 | Form A | AgSn02 | Sealed | Printed circuit |
| V23072-C1061-A408 | 1-1416001-4 | Form U, X | AgSn02 | Sealed | Printed circuit |

Coil versions

| Coil data for Mini K | Rated coil voltage (V) | Coil resistance +/- 10% (Ω) | Must operate voltage (V) | Must release voltage (V) | Allowable overdrive ¹⁾ voltage (V) | | |
|-------------------------|------------------------------|-----------------------------------|--------------------------------|--------------------------------|--|----------|------|
| | | | | | at 23 °C | at 85 °C | |
| Open and sealed | V23072-**061-**** | 12 | 130 | 6.9 | 1.2 | 19.2 | 14.9 |
| | V23072-**062-**** | 24 | 520 | 14.1 | 2.4 | 38.4 | 29.8 |

¹⁾ Allowable overdrive is stated with no load applied and minimum coil resistance.

Standard delivery packs (orders in multiples of delivery pack)

Mini K open: 600 pieces
Mini K sealed: 504 pieces

www.tiristor.by

реле v23072-c1061-a308 тел +375447584780

Минск www.fotorele.net www.tiristor.by радиодетали, электронные компоненты
email minsk17@tut.by тел +375297584780 МТС

подробно смотрите ниже: [каталог](#), [описание](#), [технические](#), [характеристики](#), [datasheet](#), [параметры](#), [маркировка](#), [габариты](#), [фото](#)
QR код



v23072-c1061-a308



v23072-c1061-a308 аналог
v23072-c1061-a308 siemens реле автомобильное купить
v23072-c1061-a308 купить
v23072-c1061-a308 siemens
v23072-c1061-a308 купить
v23072-c1061-a308 siemens реле автомобильное
v23072-c1061-a308 купить в Минске
v23072-c1061-a308 купить в Беларуси
реле v23072-c1061-a308

Беларусь Минск

www.tiristor.by